

READ BEFORE USE
LIRE AVANT UTILISATION
LEA ANTES DE USAR

Visit hamiltonbeach.com for delicious recipes, tips, and to register your product online!



Consultez hamiltonbeach.ca pour de délicieuses recettes, des conseils pratiques et pour enregistrer votre produit !

¡Visite hamiltonbeach.com.mx para recetas deliciosas, consejos, y para registrar su producto en línea!

Questions?

Please call us – our friendly associates are ready to help.
USA: 1.800.851.8900

Questions ?

N'hésitez pas à nous appeler – nos associés s'empresseront de vous aider.
CAN: 1.800.267.2826

¿Preguntas?

Por favor llámenos – nuestros amables representantes están listos para ayudar.

MEX: 01 800 71 16 100

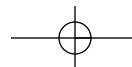
Le invitamos a leer cuidadosamente este instructivo antes de usar su aparato.

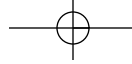
**Hamilton
Beach®**

Toaster Oven
Four grille-pain
Horno de la tostadora



English	2
Français	11
Español	20





WARNING



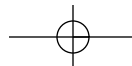
Fire Hazard.

- If contents ignite, do not open oven door. Unplug oven and allow contents to stop burning and cool before opening door.
- Do not operate unattended while in Toast or Broil modes.
- Do not use with oven cooking bags.
- Always allow at least one inch between food and heating element.
- Always unplug toaster oven when not in use.
- Regular cleaning reduces risk of fire hazard.

IMPORTANT SAFEGUARDS

When using electrical appliances, basic safety precautions should always be followed, including the following:

1. Read all instructions.
2. Do not touch hot surfaces. Use handles or knobs.
3. To protect against electrical shock do not immerse cord, plug, or toaster oven in water or other liquid.
4. Close supervision is necessary when any appliance is used by or near children.
5. Unplug from outlet when not in use and before cleaning. Allow to cool before cleaning appliance and putting on or taking off parts.
6. Do not operate any appliance with a damaged cord or plug, or after the appliance malfunctions or is dropped or damaged in any manner. Call our toll-free customer service number for information on examination, repair, or adjustment.
7. The use of accessory attachments not recommended by the appliance manufacturer may cause injuries.
8. Do not use outdoors.
9. Do not let cord hang over edge of table or counter or touch hot surfaces.
10. Do not place on or near a hot gas or electric burner or in a heated oven.
11. Extreme caution must be used when moving an appliance containing hot oil or other hot liquids.
12. To disconnect, turn all controls to OFF (**O**); then remove plug from wall outlet.
13. Use extreme caution when removing pan or disposing of hot grease.
14. Do not clean with metal scouring pads. Pieces can break off the pad and touch electrical parts, creating a risk of electrical shock.
15. Oversize foods or metal utensils must not be inserted in a toaster oven as they may create a fire or risk of electric shock.
16. A fire may occur if the toaster oven is covered, touching, or near flammable material, including curtains, draperies, walls, and the like, when in operation. Do not store any item on top of the appliance when in operation or before the appliance cools down.
17. Extreme caution should be exercised when using containers constructed of materials other than metal or glass.
18. Do not store any materials, other than manufacturer-recommended accessories, in this oven when not in use.



19. Do not place any of the following materials in the oven: paper, cardboard, plastic, and the like.
20. Do not cover crumb tray or any part of the oven with metal foil. This will cause overheating of the oven.
21. To turn oven off, turn Timer to OFF (**O**) position. See "Parts and Features" section.
22. Do not place eyes or face in close proximity with tempered safety glass door, in the event that the safety glass breaks.
23. Always use appliance with crumb tray securely in place.
24. Do not use appliance for other than intended use.
25. Clean oven interior carefully. Do not scratch or damage heating element tube.

SAVE THESE INSTRUCTIONS!

OTHER CONSUMER SAFETY INFORMATION

This appliance is intended for household use only.

WARNING! Shock Hazard: This appliance has a polarized plug (one wide blade) that reduces the risk of electric shock. The plug fits only one way into a polarized outlet. Do not defeat the safety purpose of the plug by modifying the plug in any way or by using an adapter. If the plug does not fit, reverse the plug. If it still does not fit, have an electrician replace the outlet.

The length of the cord used on this appliance was selected to reduce the hazards of becoming tangled in or tripping over a longer cord. If a longer cord is necessary, an approved extension cord may be used. The electrical rating of the extension cord must be equal to or greater than the rating of the appliance. Care must be taken to arrange the extension cord so that it will not drape over the counter-top or tabletop where it can be pulled on by children or accidentally tripped over.

This appliance is equipped with a fully tempered safety glass door. The tempered glass is four times stronger than ordinary glass and more resistant to breakage. Tempered glass can break; however, it breaks into pieces with no sharp edges. Care must be taken to avoid scratching door surface or nicking edges. If the door has a scratch or nick, call our toll-free customer service number.

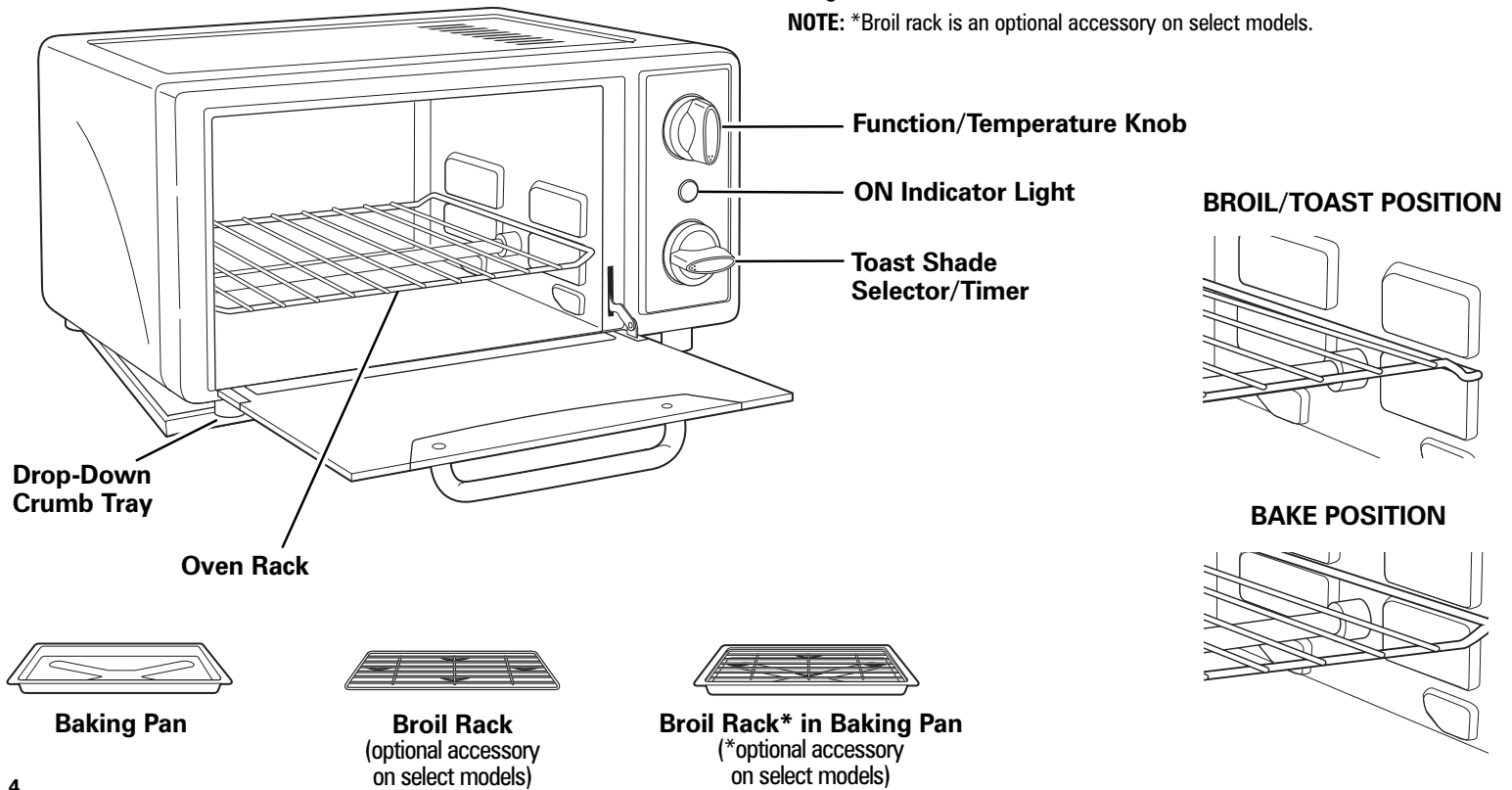
Always unplug your toaster oven from the outlet when not in use.

Parts and Features

Before First Use

Most heating appliances produce an odor and/or smoke when used the first time. Plug the toaster oven into an outlet. Turn Function/Temperature Knob to 450°F (230°C). Heat at this temperature for 10 minutes. The odor should not be present after this initial preheating. **Wash baking pan, broil rack*, and oven rack before using.**

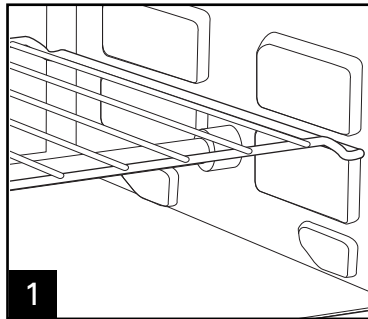
NOTE: *Broil rack is an optional accessory on select models.



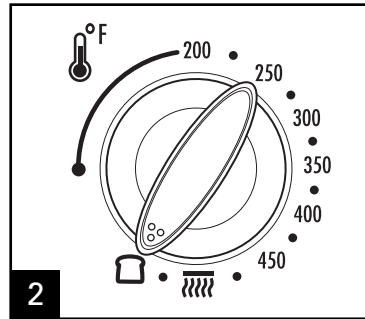
How to Toast


⚠ WARNING Fire Hazard.

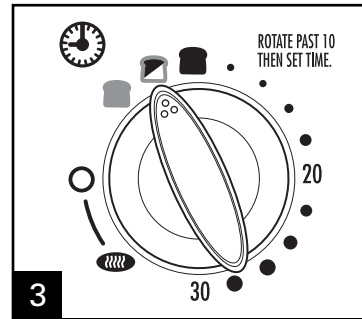
- If contents ignite, do not open oven door. Unplug oven and allow contents to stop burning and cool before opening door.
- Do not leave appliance unattended when in operation.
- Always unplug toaster oven when not in use.



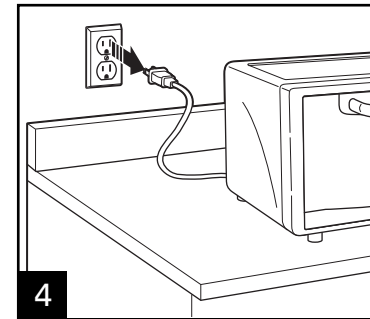
1 Place oven rack in **BROIL/TOAST POSITION**. Place food item on rack.



2 Turn Function/Temperature Knob to **TOAST** .



3 Rotate Toast Shade Selector/Timer past 10 and then back to desired toast color. A bell will sound when the toast cycle is complete.



4 When finished, turn Toast Shade Selector/Timer to **OFF** and unplug.

- To toast bagels or English muffins, place bread cut-side down. This will toast the cut side more than the outside. English muffins may need a darker setting than regular bread to achieve the same color.
- To toast frozen pastry or waffles, select a light color and toast directly on oven rack. If pastry has a glaze or frosting, use baking pan to prevent dripping.

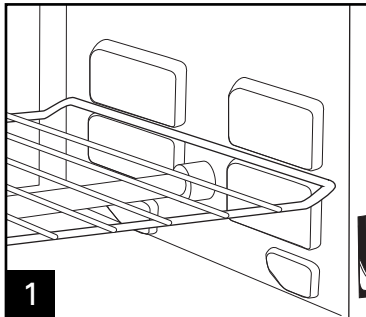
- When toasting, condensation may form on oven door. A conventional toaster is open and allows moisture to escape. A toaster oven is a closed space and so moisture is slow to escape.
- At the end of the toast cycle, remove toast immediately or the heat remaining in the toaster oven will continue to toast and dry out your toast.

How to Bake

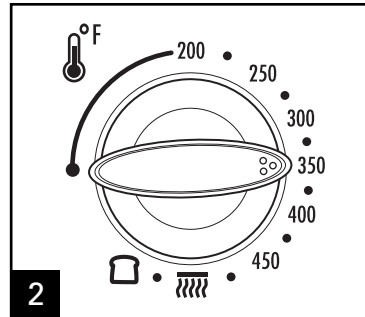
⚠ WARNING Fire Hazard.

- If contents ignite, do not open oven door. Unplug oven and allow contents to stop burning and cool before opening door.

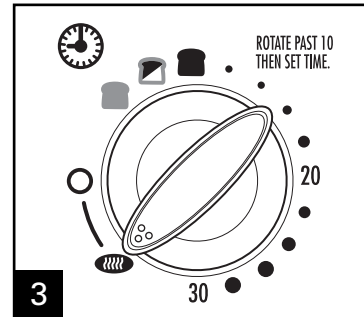
- Do not use oven cooking bags.
- Always allow at least one inch between food and heating element.
- Always unplug toaster oven when not in use.



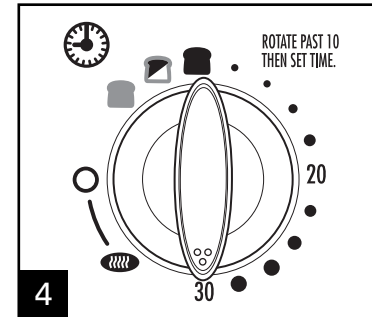
1 Place oven rack in **BAKE POSITION**.



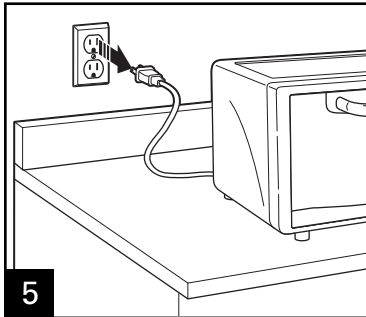
2 Turn Function/Temperature Knob to desired temperature.



3 Set Toast Shade Selector/Timer to **ON** (wavy line icon). Let preheat for 5 minutes prior to placing food in oven.



4 Turn Toast Shade Selector/Timer to a desired time or leave **ON** (wavy line icon).



5 When finished, turn Toast Shade Selector/Timer to **O (OFF)** and unplug.

6

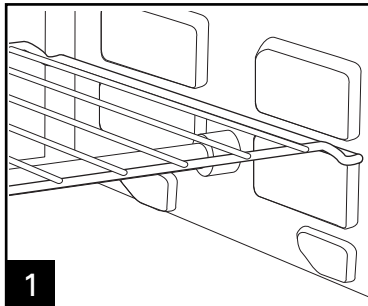
- Do not totally enclose foods in aluminum foil. Foil can insulate foods and slow down heating.
- To reheat rolls or biscuits, place on baking pan and heat at 300°F for 10 minutes.
- Reheat leftover roasts or casseroles at 350°F for 20 to 30 minutes or until heated through.

- Bake foods, such as pizza, on the **BROIL/TOAST POSITION**. Place food directly on oven rack or in baking pan.
- Bake foods, such as a whole chicken, on the **BAKE POSITION**. Place food in baking pan.

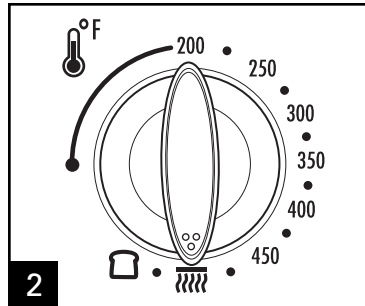
How to Broil

⚠ WARNING Fire Hazard.

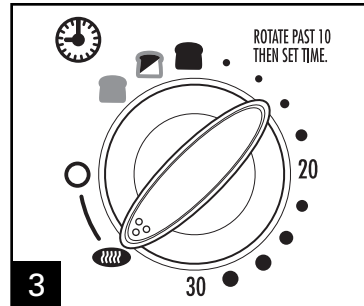
- If contents ignite, do not open oven door. Unplug oven and allow contents to stop burning and cool before opening door.
- Do not leave oven unattended during operation.
- Keep one inch between food and heating element.
- Do not use oven cooking bags.
- Do not heat foods in plastic containers.
- Follow food manufacturer's instructions.



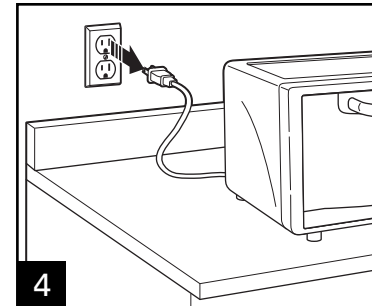
1 Place oven rack in **BROIL/TOAST POSITION**. Place food item on rack.



2 Turn Function/Temperature Knob to **BROIL** . The indicator light will come on.



3 Set Toast Shade Selector/Timer to desired time or **ON** . Turn foods when browned or halfway through cooking time.



4 When finished, turn Toast Shade Selector/Timer to **OFF** and unplug.

FOOD	APPROX. BROIL TIME
Hamburgers	25 minutes
Hot Dogs	15 minutes
Sausage Links or Patties (pierce casings before cooking)	15 to 20 minutes
Fish	15 minutes

These cooking times are an average and should be adjusted to individual preferences. Turn foods halfway through cooking time.

- Cook beef and pork to at least 160°F (71°C).
- Cook chicken to at least 165°F (73°C).
- Cook fish until at least 145°F (63°C) or until opaque or flakes with a fork.
- Visit foodsafety.gov for more safe cooking temperature information.
- When browning bread crumbs that top a casserole, set the Toast Shade Selector/Timer at medium .
- To melt cheese, set the Toast Shade Selector/Timer at light .

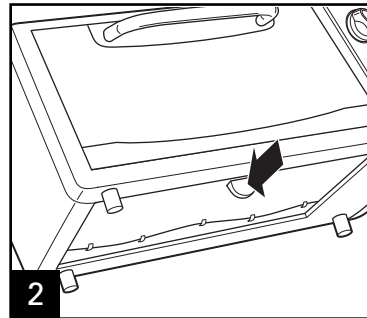
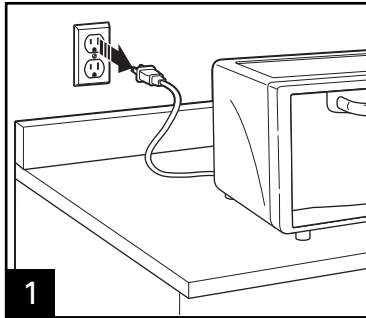
Cleaning



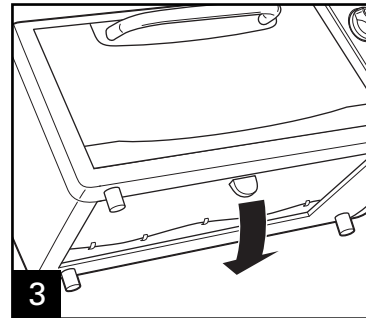
WARNING Electrical Shock Hazard.

Do not clean with metal scouring pads. Pieces can break off pad and touch electrical parts.

Your toaster oven should be cleaned regularly for best performance and long life. Regular cleaning will also reduce the risk of fire hazard.

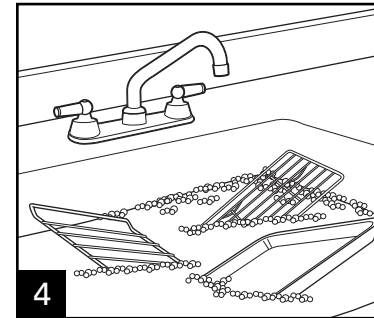


Remove baking pan and rack from oven. Tilt oven back. Push handle down to unlock crumb tray.

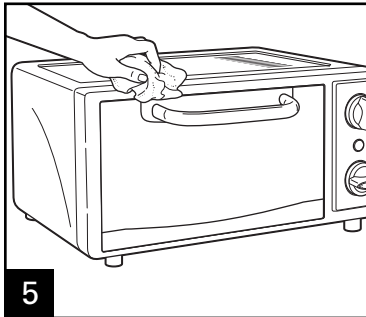


Pull tray down and out. Gently shake crumbs out of tray and wipe with a damp, clean cloth. Push tray back and lock into place.

NOTE: Crumb tray is not removable.



NOTE: Broil rack is an optional accessory on select models.





Wipe outside of oven with a damp cloth. Do not use abrasive cleansers or metal scouring pads.

8

Visit hamiltonbeach.com for delicious recipes, tips, and to register your product online!



Troubleshooting

PROBLEM	PROBABLE CAUSE/SOLUTION
Oven will not heat.	<ul style="list-style-type: none"> • Check to make sure the outlet is working and the oven is plugged in. Next, turn the Function/Temperature Knob to 350°F and then turn the Toast Shade Selector/Timer to ON . The ON Indicator Light should now be lit.
Moisture forms on inside of oven door when toasting.	<ul style="list-style-type: none"> • This is normal when toasting in a toaster oven. Moisture is slower to escape from a toaster oven than from a conventional toaster. The amount of moisture will differ between fresh bread, bagels, and frozen pastries.
An odor and smoke come from oven.	<ul style="list-style-type: none"> • Smoke and odor are normal during first use of most heating appliances. These will not be present after initial heating period.
Oven will not toast.	<ul style="list-style-type: none"> • Check to make sure the outlet is working and the oven is plugged in. <ol style="list-style-type: none"> 1. Set Function/Temperature Knob to Toast . 2. Set Toast Shade Selector/Timer to a toast color. The ON Indicator Light should now be lit.
Some foods burn and some are not done.	<ul style="list-style-type: none"> • Adjust oven rack position to center food in oven. • Adjust oven temperature or cooking time for best results with your recipes.
Indicator light stays on.	<ul style="list-style-type: none"> • Turn Toast Shade Selector/Timer to O (OFF). If light stays on, unplug unit and call the toll-free customer assistance number for information on examination, repair, or adjustment. Do not continue to use your toaster oven.
Oven gets hot on the outside.	<ul style="list-style-type: none"> • Be careful; the top and sides of oven get very hot, but this is normal.

Limited Warranty

This warranty applies to products purchased in the U.S. and Canada. This is the only express warranty for this product and is in lieu of any other warranty or condition.

This product is warranted to be free from defects in material and workmanship for a period of one (1) year from the date of original purchase. During this period, your exclusive remedy is repair or replacement of this product or any component found to be defective, at our option; however, you are responsible for all costs associated with returning the product to us and our returning a product or component under this warranty to you. If the product or component is no longer available, we will replace with a similar one of equal or greater value.

This warranty does not cover glass, filters, wear from normal use, use not in conformity with the printed directions, or damage to the product resulting from accident, alteration, abuse, or misuse. This warranty extends only to the original consumer purchaser or gift recipient. Keep the original sales receipt, as proof of purchase is required to make a warranty claim. This warranty is void if the product is used for other than single-family household use.

We exclude all claims for special, incidental, and consequential damages caused by breach of express or implied warranty. All liability is limited to the amount of the purchase price. **Every implied warranty, including any statutory warranty or condition of merchantability or fitness for a particular purpose, is disclaimed except to the extent prohibited by law, in which case such warranty or condition is limited to the duration of this written warranty.** This warranty gives you specific legal rights. You may have other legal rights that vary depending on where you live. Some states or provinces do not allow limitations on implied warranties or special, incidental, or consequential damages, so the foregoing limitations may not apply to you.

To make a warranty claim, do not return this appliance to the store. Please call 1.800.851.8900 in the U.S. or 1.800.267.2826 in Canada or visit hamiltonbeach.com in the U.S. or hamiltonbeach.ca in Canada. For faster service, locate the model, type, and series numbers on your appliance.