

READ BEFORE USE
LIRE AVANT D'UTILISER
LEA ANTES DE USAR

Visit hamiltonbeach.com for delicious recipes, tips, and to register your product online!



Consulter hamiltonbeach.ca pour les recettes délicieuses, conseils pratiques, et pour enregistrer votre produit!

Visite hamiltonbeach.com.mx para recetas deliciosas, consejos, y para registrar su producto en línea.

Questions?

Please call us – our friendly associates are ready to help.
USA: 1.800.851.8900

Questions?

N'hésitez pas à nous appeler – nos associés s'empresseront de vous aider.
CAN: 1.800.267.2826

¿Preguntas?

Por favor llámenos – nuestros amables representantes están listos para ayudar.

MEX: 01 800 71 16 100

Le invitamos a leer cuidadosamente este instructivo antes de usar su aparato.

**Hamilton
Beach®**

Electric Skillet

Poêle à frire

Sartén Eléctrico



English 2
Français 8
Español 14

IMPORTANT SAFEGUARDS

When using electrical appliances, basic safety precautions should always be followed to reduce the risk of fire, electric shock, and/or injury to persons, including the following:

1. Read all instructions.
2. Do not touch hot surfaces. Use handles or knobs, which may be warm. Use oven mitts.
3. To protect against electric shock do not immerse cord, plug, or temperature control in water or other liquid.
4. Close supervision is necessary when any appliance is used by or near children.
5. Unplug from outlet when not in use and before cleaning. Allow to cool before putting on or taking off parts, and before cleaning the appliance.
6. Do not operate any appliance with a damaged cord or plug, or after the appliance malfunctions, or has been dropped or damaged in any manner. Call our toll-free customer service number for examination, repair, or adjustment.
7. The use of accessory attachments not recommended by the appliance manufacturer may cause injuries.
8. Do not use outdoors.
9. Do not let cord hang over edge of table or counter, or touch hot surfaces, including stove.
10. Do not place on or near a hot gas or electric burner, or in a heated oven.
11. Extreme caution must be used when moving an appliance containing hot oil or other hot liquids.
12. Always attach plug to appliance first, then plug cord into the wall outlet. To disconnect, turn any control to MIN then remove plug from wall outlet.
13. Do not use appliance for other than intended use.
14. Never leave appliance unattended while in use.
15. Use only temperature-controlling plug provided by manufacturer. Use of other temperature-control plug may cause injury.

SAVE THESE INSTRUCTIONS!

OTHER CONSUMER SAFETY INFORMATION

This appliance is intended for household use only.

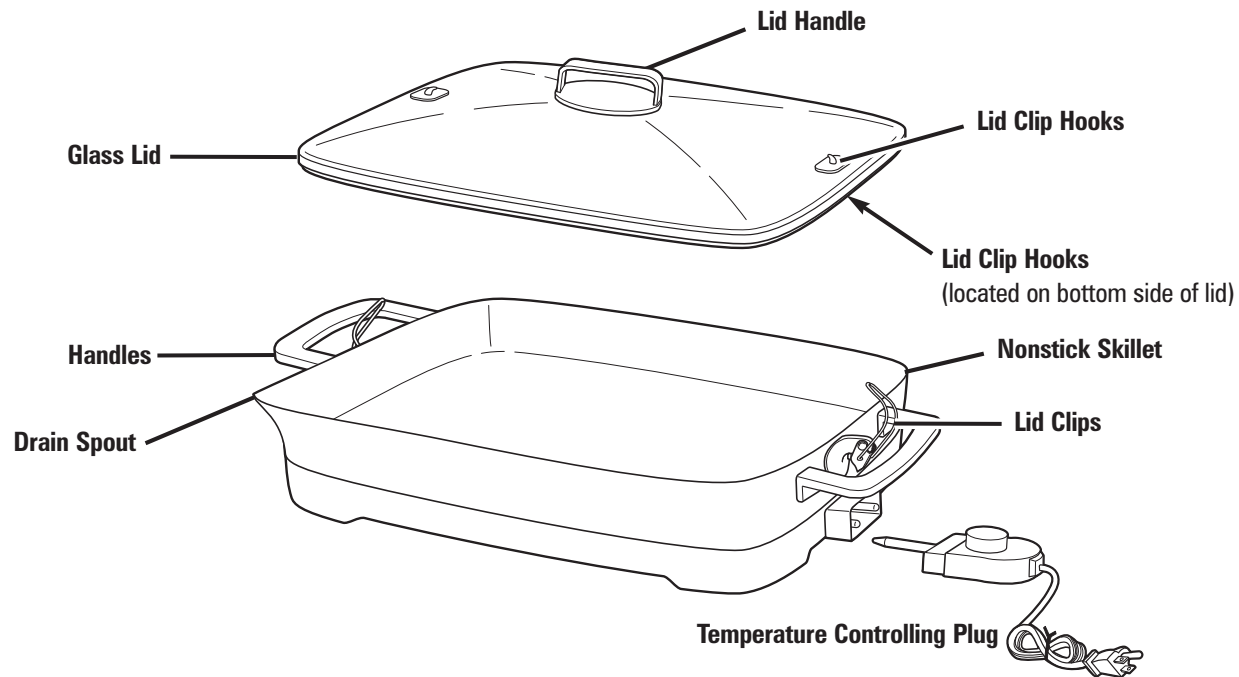
WARNING! Shock Hazard: If the plug on this appliance does not fit in your outlet, do not modify the plug, and do not use an adaptor. Have an electrician replace the obsolete outlet.

To avoid an electrical circuit overload do not use another high wattage appliance on the same circuit with this appliance.

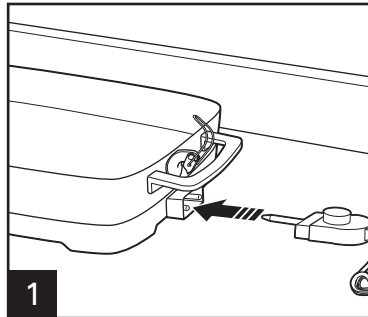
The length of the cord used on this appliance was selected to reduce the hazards of becoming tangled in, or tripping over, a longer cord. Do not use an extension cord.

Parts and Features

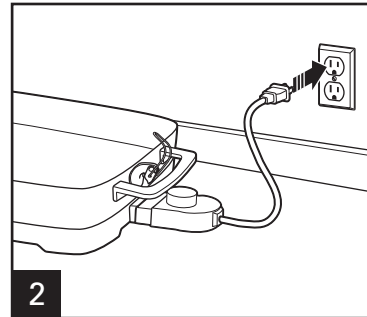
Before First Use: Wash skillet and lid in hot, soapy water. Rinse and dry thoroughly.



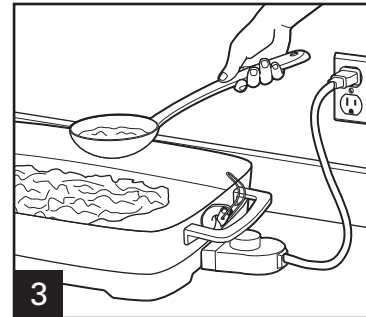
How to Use Skillet



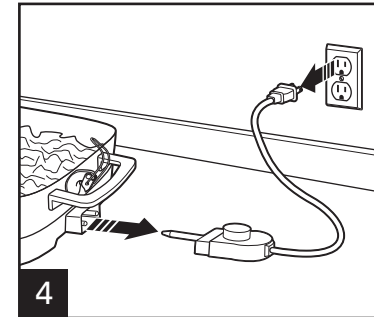
1 Insert to line.



2 Select desired temperature. Let skillet preheat UNCOVERED for 5-10 minutes. When frying, pour oil in skillet, then preheat unit.



3 Indicator light will go out when desired temperature is reached. Add food. Only use wooden or plastic cooking utensils to prolong the life of the nonstick coating.



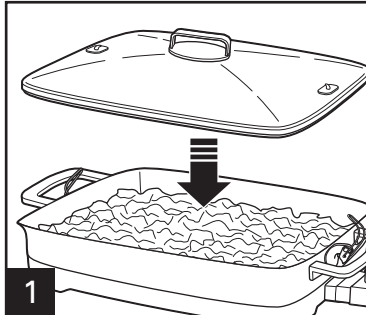
4 When finished, unplug from outlet, then from unit.

Cooking Chart

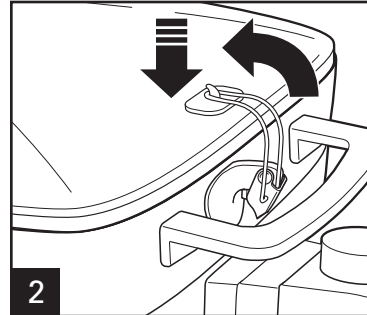
The skillet is recommended to cook any foods that produce grease. The depth of the skillet will help reduce spatters and contain the grease until drained.
***Cooking times are based on fresh, never frozen, ingredients.**

FOOD	TEMPERATURE	INTERNAL TEMP.	APPROXIMATE COOKING TIME*
Hamburgers (1/3 lb [150 g] each)	350°F (180°C)	165°F (73°C)	15 to 20 minutes
Bacon	350°F (180°C)	crisp	10 to 15 minutes
Sausage Links and Patties	350°F (180°C)	165°F (73°C)	15 minutes
Fried Chicken	375°F (190°C)	170°F (77°C)	20 to 30 minutes
Pork Chops	325°F (160°C)	165°F (73°C)	20 to 30 minutes

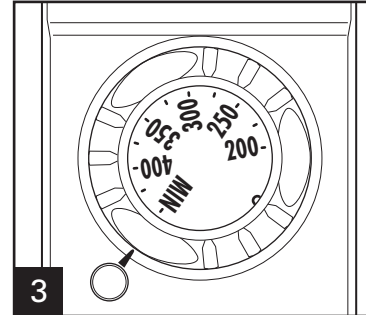
How to Drain While Cooking



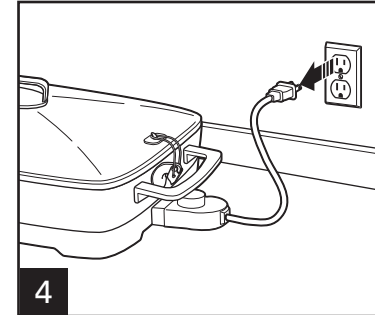
1



2



3

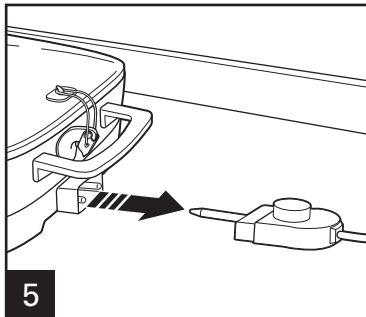


4

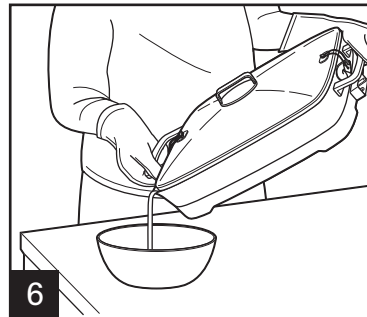
Place lid on skillet. Using oven mitts, ALWAYS lock clips before draining liquid. **WARNING! Burn Hazard.** Failure to place lid on skillet and lock clips prior to draining liquid may result in lid and contents falling from skillet.

Set control to MIN.

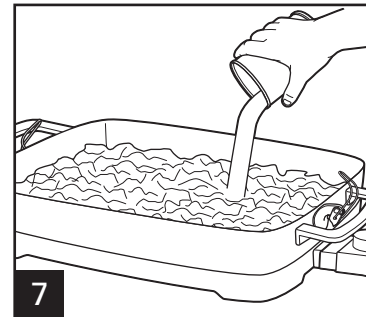
Unplug skillet from outlet.



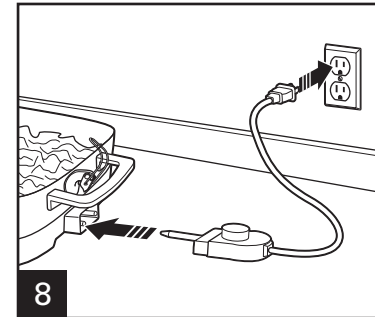
5



6



7



8

Unplug control from skillet.

Drain any excess liquid through drain spout. **WARNING! Burn Hazard.** Contents of skillet and the skillet handles are hot. Always use oven mitts or pot holders when draining while cooking. Always pour away from body.

Using oven mitts, unlock clips and remove lid. Then add any additional ingredients.

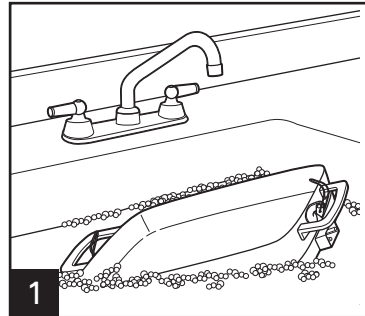
Plug control into skillet then plug into outlet to continue cooking.

Care and Cleaning

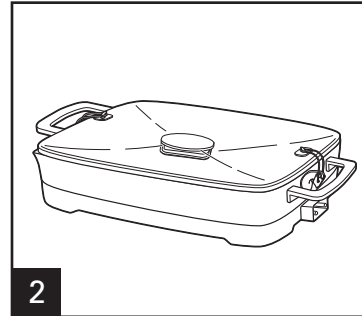
⚠ WARNING

Electrical Shock Hazard.

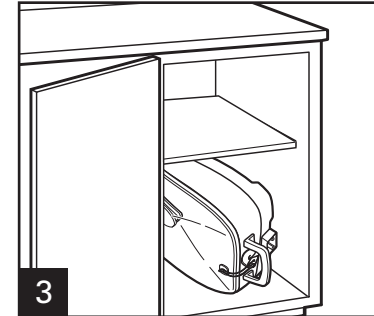
Disconnect power before cleaning.
Do not immerse cord or plug in any liquid.



Unplug and allow to cool completely.
Do not use metal scouring pads or abrasive cleansers.



STORAGE: Place Cord Unit inside skillet. Invert skillet lid and place on skillet. Lock clips.



Troubleshooting

PROBLEM

Low, poor, or slow heating.

Cannot latch lid when inverted on skillet.

PROBABLE CAUSE/SOLUTION

- Be sure probe is fully inserted into skillet.
- Allow skillet to heat uncovered for 5 to 10 minutes.
- Reposition lid so that it is centered on skillet.

Warranty

This warranty applies to products purchased in the U.S. and Canada. This is the only express warranty for this product and is in lieu of any other warranty or condition.

This product is warranted to be free from defects in material and workmanship for a period of one (1) year from the date of original purchase. During this period, your exclusive remedy is repair or replacement of this product or any component found to be defective, at our option; however, you are responsible for all costs associated with returning the product to us and our returning a product or component under this warranty to you. If the product or component is no longer available, we will replace with a similar one of equal or greater value.

This warranty does not cover glass, filters, wear from normal use, use not in conformity with the printed directions, or damage to the product resulting from accident, alteration, abuse or misuse. This warranty extends only to the original consumer purchaser or gift recipient. Keep the original sales receipt, as proof of purchase is required to make a warranty claim. This warranty is void if the product is used for other than single-family household use.

We exclude all claims for special, incidental and consequential damages caused by breach of express or implied warranty. All liability is limited to the amount of the purchase price. **Every implied warranty, including any statutory warranty or condition of merchantability or fitness for a particular purpose, is disclaimed except to the extent prohibited by law, in which case such warranty or condition is limited to the duration of this written warranty.** This warranty gives you specific legal rights. You may have other legal rights that vary depending on where you live. Some states or provinces do not allow limitations on implied warranties or special, incidental or consequential damages, so the foregoing limitations may not apply to you.

To make a warranty claim, do not return this appliance to the store. Please call 1.800.851.8900 in the U.S. or 1.800.267.2826 in Canada or visit hamiltonbeach.com in the US or hamiltonbeach.ca in Canada. For faster service, locate the model, type, and series numbers on your appliance.