

This Owner's Manual is provided and hosted by [Appliance Factory Parts](#).



HAMILTON BEACH 38530R Owner's Manual

[Shop genuine replacement parts for HAMILTON
BEACH 38530R](#)



[Find Your HAMILTON BEACH Small Appliance Parts - Select From 252 Models](#)

----- Manual continues below -----

Hamilton Beach®

Electric Skillet

READ BEFORE USE

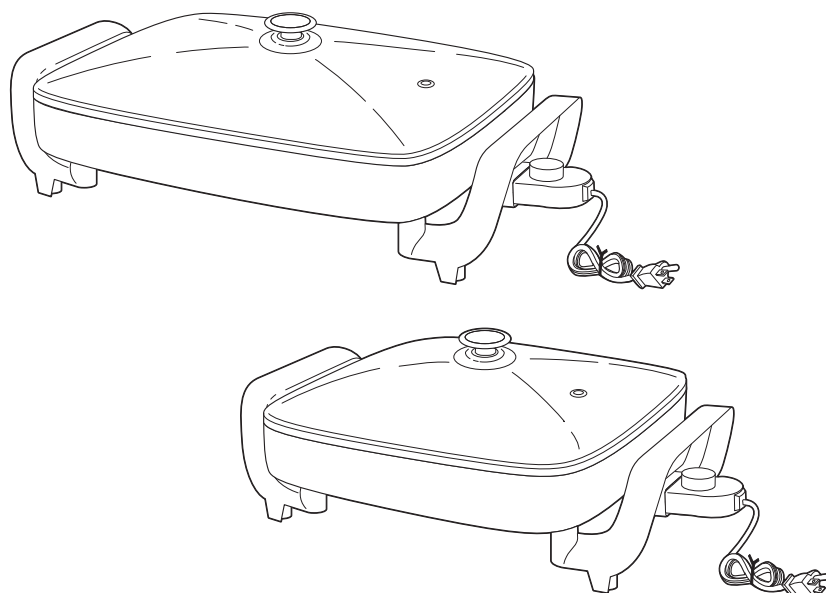
Poêles à frire

LIRE AVANT UTILISATION

Sartén eléctrico

LEA ANTES DE USAR

Le invitamos a leer cuidadosamente este instructivo antes de usar su aparato.



English	2
USA: 1.800.851.8900	
Visit hamiltonbeach.com for delicious recipes, tips, and to register your product online!	
Français	6
Canada : 1.800.267.2826	
Consulter hamiltonbeach.ca pour les recettes délicieuses, conseils pratiques, et pour enregistrer votre produit!	
Español	10
México: 01.800.71.16.100	
¡Visite hamiltonbeach.com.mx para recetas deliciosas, consejos, y para registrar su producto en línea!	

IMPORTANT SAFEGUARDS

When using electric appliances, basic safety precautions should always be followed, including the following:

1. Read all instructions.
2. Do not touch hot surfaces. Use handles or knobs, which may be warm. Use oven mitts.
3. To protect against electric shock do not immerse cord, plug, or temperature control in water or other liquid.
4. Close supervision is necessary when any appliance is used by or near children.
5. Unplug from outlet when not in use and before cleaning. Allow to cool before putting on or taking off parts, and before cleaning the appliance.
6. Do not operate any appliance with a damaged cord or plug, or after the appliance malfunctions, or has been dropped or damaged in any manner. Call our toll-free customer service number for examination, repair, or adjustment.
7. The use of accessory attachments not recommended by appliance manufacturer may cause injuries.
8. Do not use outdoors.
9. Do not let cord hang over edge of table or counter, or touch hot surfaces, including stove.
10. Do not place on or near a hot gas or electric burner, or in a heated oven.
11. Extreme caution must be used when moving an appliance containing hot oil or other hot liquids.
12. Always attach plug to appliance first; then plug cord into the wall outlet. To disconnect, turn any control to MIN and then remove plug from wall outlet.
13. Do not use appliance for other than intended use.
14. **WARNING:** To reduce the risk of fire, assemble feet before using.
15. Be sure that handles/feet are assembled and fastened properly.
16. See instructions for assembly of handles/feet on page 3.
17. Never leave appliance unattended while in use.

SAVE THESE INSTRUCTIONS

OTHER CONSUMER SAFETY INFORMATION

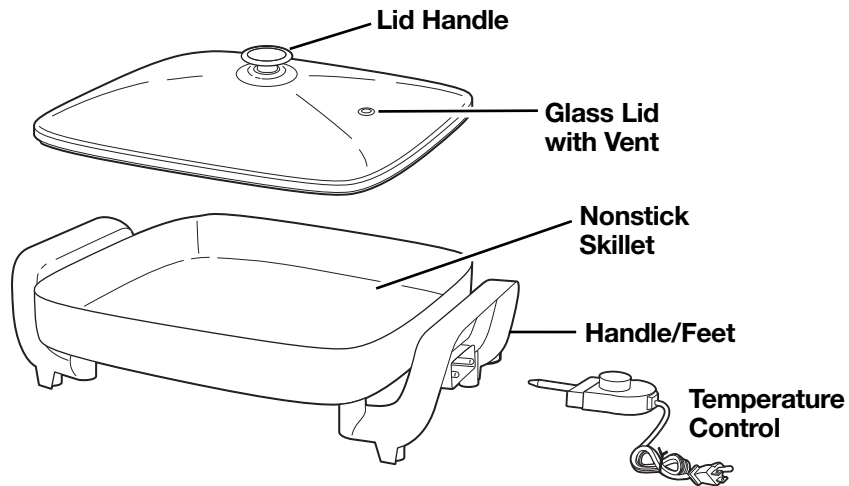
This appliance is intended for household use only.

WARNING! Shock Hazard: This product is provided with either a polarized (one wide blade) or grounded (3-prong) plug to reduce the risk of electric shock. The plug fits only one way into a polarized or grounded outlet. Do not defeat the safety purpose of the plug by modifying the plug in any way or by using an adapter. If the plug does not fit fully into the outlet, reverse the plug. If it still does not fit, have an electrician replace the outlet.

The length of the cord used on this appliance was selected to reduce the hazards of becoming tangled in or tripping over a longer cord. If a longer cord is necessary, an approved extension cord may be used. The electrical rating of the extension cord must be equal to or greater than the rating of the appliance. If the appliance is of the grounded type, the extension cord should be a grounding-type 3-wire cord. Care must be taken to arrange the extension cord so that it will not drape over the countertop or tabletop where it can be pulled on by children or accidentally tripped over.

Parts and Features

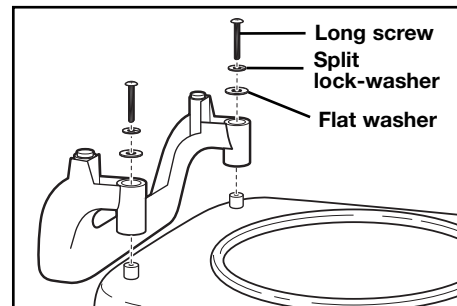
BEFORE FIRST USE: Wash skillet and lid in hot, soapy water. Rinse and dry thoroughly.



Skillet Handles/Foots Assembly

Tools Required: Phillips-head screwdriver.

Do NOT overtighten.



How to Use Your Skillet

1. Always use skillet on a dry, level, heat-resistant surface.
 2. Plug the temperature control into the skillet. Set temperature control dial to MIN; then plug cord into a 120-volt outlet.
 3. Refer to the Cooking Chart that follows for selecting the correct heat setting.
 4. Preheat skillet, uncovered, 5 to 10 minutes until desired temperature is reached.
 5. When the indicator light on the temperature control goes out, the cooking temperature has been reached. Food may now be added. Heat may be increased or decreased, depending upon personal preference and the type or amount of food being prepared.
 6. When finished cooking, remove food, turn temperature control to MIN, and unplug unit from wall outlet.
- NOTES:**
- Only use wooden or plastic cooking utensils to prolong the life of the nonstick coating.
 - Never use the skillet and the cover in the oven or microwave oven, or on the range top.
- WARNING! To reduce the risk of burns, do not carry or move the skillet when it contains hot oil or food.**
- WARNING! To reduce the risk of burns due to oil splatter, do not put a large amount of oil in a hot skillet. When frying, pour oil in skillet and then preheat unit.**

Cooking Chart

The skillet is recommended to cook any foods that produce grease. The depth of the skillet will help reduce spatters and contain the grease.

Food	Temperature	Time
Hamburgers (½ lb. [160 g] each)	350°F (180°C)	15 to 20 minutes
Bacon	350°F (180°C)	10 to 15 minutes
Sausage links and patties	350°F (180°C)	15 minutes
Fried chicken	375°F (190°C)	20 to 30 minutes
Pork chops	325°F (160°C)	20 to 30 minutes

Cooking times are based on fresh ingredients.

Cleaning Your Skillet

1. When finished cooking, turn temperature control to MIN and unplug from outlet and from skillet.
2. Let skillet cool completely.
3. Clean skillet and lid with hot, soapy water, using a nylon scouring pad. Rinse and then dry. Skillet and lid may also be washed in dishwasher.
4. If necessary, wipe the temperature control and cord with a damp cloth and then wipe dry.

WARNING! Shock Hazard: To reduce the risk of electric shock, do not immerse cord, plug, or temperature control in water or other liquid.

Do not use metal scouring pads or abrasive cleansers. This will damage the nonstick coating.

Limited Warranty

This warranty applies to products purchased in the U.S. and Canada. This is the only express warranty for this product and is in lieu of any other warranty or condition.

This product is warranted to be free from defects in material and workmanship for a period of one (1) year from the date of original purchase. During this period, your exclusive remedy is repair or replacement of this product or any component found to be defective, at our option; however, you are responsible for all costs associated with returning the product to us and our returning a product or component under this warranty to you. If the product or component is no longer available, we will replace with a similar one of equal or greater value.

This warranty does not cover glass, filters, wear from normal use, use not in conformity with the printed directions, or damage to the product resulting from accident, alteration, abuse, or misuse. This warranty extends only to the original consumer purchaser or gift recipient. Keep the original sales receipt, as proof of purchase is required to make a warranty claim. This warranty is void if the product is used for other than single-family household use.

We exclude all claims for special, incidental, and consequential damages caused by breach of express or implied warranty. All liability is limited to the amount of the purchase price. **Every implied warranty, including any statutory warranty or condition of merchantability or fitness for a particular purpose, is disclaimed except to the extent prohibited by law, in which case such warranty or condition is limited to the duration of this written warranty.** This warranty gives you specific legal rights. You may have other legal rights that vary depending on where you live. Some states or provinces do not allow limitations on implied warranties or special, incidental, or consequential damages, so the foregoing limitations may not apply to you.

To make a warranty claim, do not return this appliance to the store. Please call 1.800.851.8900 in the U.S. or 1.800.267.2826 in Canada or visit hamiltonbeach.com in the US or hamiltonbeach.ca in Canada. For faster service, locate the model, type, and series numbers on your appliance.