

This Owner's Manual is provided and hosted by [Appliance Factory Parts](#).



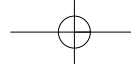
HAMILTON BEACH 38541 Owner's Manual

[Shop genuine replacement parts for HAMILTON
BEACH 38541](#)



[Find Your HAMILTON BEACH Small Appliance Parts - Select From 252 Models](#)

----- Manual continues below -----



READ BEFORE USE
LIRE AVANT UTILISATION
LEA ANTES DE USAR

Visit hamiltonbeach.com for delicious recipes, tips, and to register your product online!



Consultez hamiltonbeach.ca pour de délicieuses recettes, des conseils pratiques et pour enregistrer votre produit !

¡Visite hamiltonbeach.com.mx para recetas deliciosas, consejos, y para registrar su producto en línea!

Questions?

Please call us – our friendly associates are ready to help.
USA: 1.800.851.8900

Questions?

N'hésitez pas à nous appeler – nos associés s'empresseront de vous aider.
CAN: 1.800.267.2826

¿Preguntas?

Por favor llámenos – nuestros amables representantes están listos para ayudar.
MEX: 01 800 71 16 100

Le invitamos a leer cuidadosamente este instructivo antes de usar su aparato.

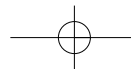
Hamilton Beach

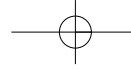
Electric

Plaque



Engl
Fran
Espa





IMPORTANT SAFEGUARDS

When using electrical appliances, basic safety precautions should always be followed to reduce the risk of fire, electric shock, or injury to persons, including the following:

1. Read all instructions.
2. Do not touch hot surfaces. Use handles or knobs, which may be warm. Use oven mitts.
3. To protect against electric shock, do not immerse cord, plug, or temperature control in water or other liquid.
4. Close supervision is necessary when any appliance is used by or near children.
5. Unplug from outlet when not in use and before cleaning. Allow to cool before putting on or taking off parts, and before cleaning the appliance.
6. Do not operate any appliance with a damaged cord or plug, or after the appliance malfunctions, or has been dropped or damaged in any manner. Call our toll-free customer service number for examination, repair, or adjustment.
7. The use of accessory attachments not recommended by the appliance manufacturer may cause injuries.
8. Do not use outdoors.
9. Do not let cord hang over edge of table or over hot surfaces, including stove.
10. Do not place on or near a hot gas or electric heated oven.
11. Extreme caution must be used when moving appliance containing hot oil or other hot liquids.
12. Always attach plug to appliance first; then plug into wall outlet. To disconnect, turn any control knob and remove plug from wall outlet.
13. Do not use appliance for other than intended use.
14. Never leave appliance unattended while in use.
15. Use only temperature-controlling plug provided. Use of other temperature-control plug may cause injury.
16. Be sure that handles are assembled and fastened.

SAVE THESE INSTRUCTIONS!

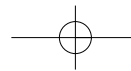
OTHER CONSUMER SAFETY INFORMATION

This appliance is intended for household use only.

WARNING! This product is provided with either a polarized (one wide blade) or grounded (3-prong) plug to reduce the risk of electric shock. The plug fits only one way into a polarized or grounded outlet. Do not defeat the safety purpose of the plug by modifying the plug in any way or by using an adapter. If the plug does not fit fully into the outlet, reverse the plug. If it still does not fit, have an electrician replace the outlet.

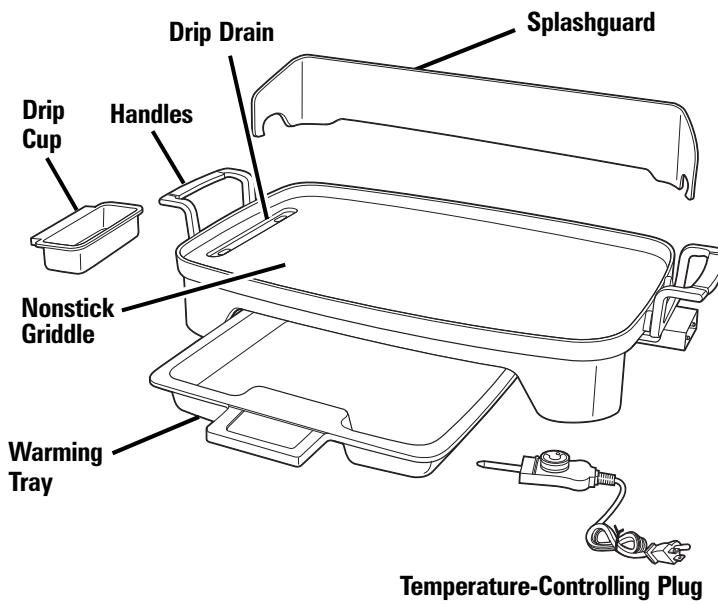
The length of the cord used on this appliance varies to reduce the hazards of becoming tangled in, or tripping over, a longer cord. Do not use an extension cord.

To avoid an electrical circuit overload, do not use other high-wattage appliance on the same circuit with this appliance.



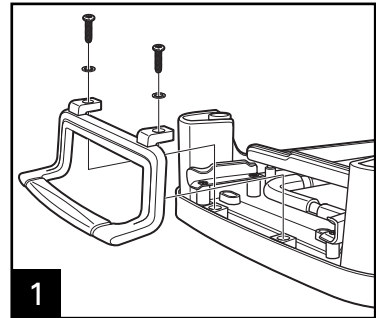
Parts and Features

Before First Use: Wash all parts in hot, soapy water. Rinse and dry thoroughly.

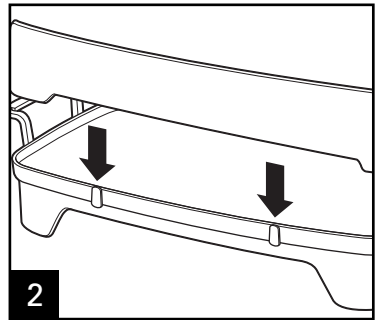


How to Assemble

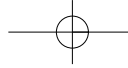
A Phillips-head screwdriver is required. Do not use a power screwdriver since they may strip and/or damage the unit. Wash and dry all parts thoroughly before use.



Turn griddle up so handles with screws are on the back of unit. Put split lock washers and long screw in place. Tighten screw with a Phillips screwdriver. **NOTE:** The assembly should not appear as shown in this Use & Care manual after installation.

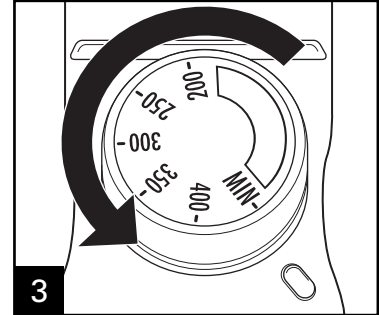
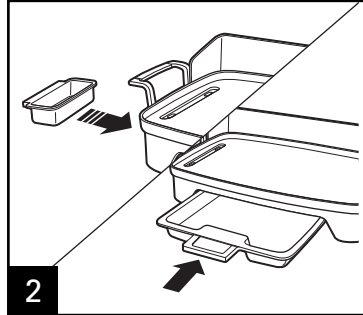
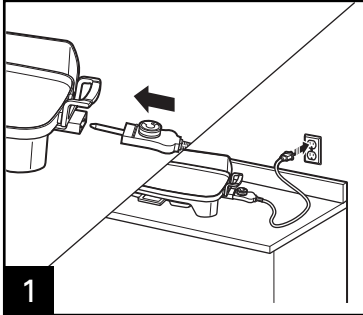


If desired, attach splashguard to griddle. Align splashguard along the back of the griddle. The splashguard should rest on the griddle. It is not attached with screws.



How to Use the Griddle

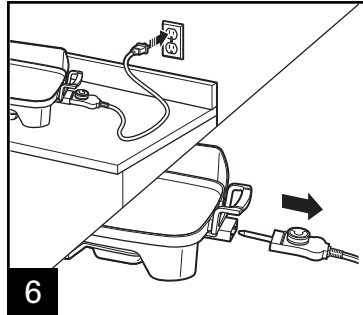
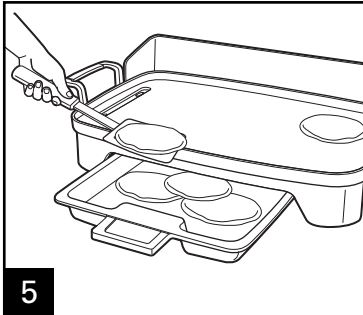
Before First Use: Attach handles. See *How to Assemble*



Slide drip cup and warming tray into place.

Indicator light will go out when set temperature is reached.

Only use warming utensils. the life of the



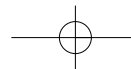
Place cooked food in warming tray while cooking next batch.

When finished, unplug from outlet, then from unit.

⚠ WARNING Fire Hazard.

Do not place nonfood items such as paper towels, napkins, or wax paper in tray.

4

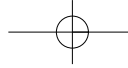


Cooking Chart

FOOD	TEMPERATURE	INTERNAL TEMP.*	APPROX. CO
Hamburgers (1/3 lb [150 g] each)	350°F (180°C)	165°F (73°C)	15 to 2
Bacon	350°F (180°C)	crisp	10 to 1
Sausage Links and Patties	350°F (180°C)	165°F (73°C)	15 n
Chicken Breasts, Boneless	375°F (190°C)	170°F (77°C)	20 to 3
Pork Chops	325°F (160°C)	165°F (73°C)	20 to 3
Fried Eggs	325°F (160°C)	—	2 to 3
French Toast	350°F (180°C)	—	8 to 10
Grilled Cheese Sandwiches	375°F (190°C)	—	4 to 5
Pancakes	375°F (190°C)	—	4 to 5
Hot Dogs	325°F (160°C)	—	15 n

*Visit foodsafety.gov for more information on safe internal cooking temperatures.

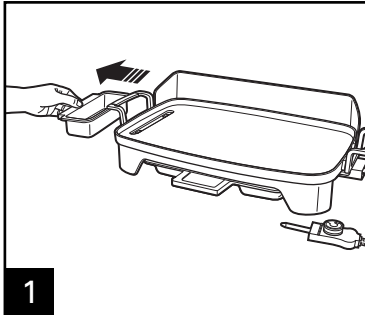
**All temperatures are based on fresh, NOT frozen foods.



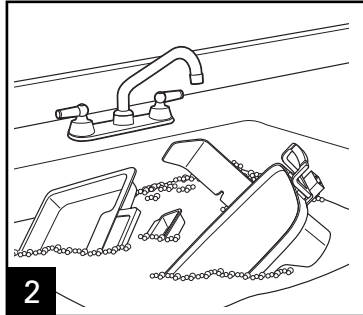
Care and Cleaning

⚠ WARNING

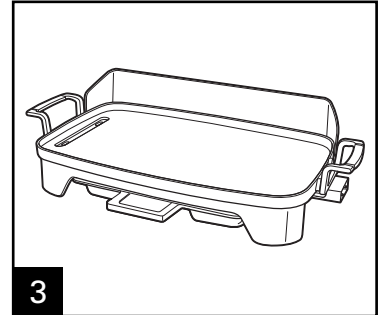
Electrical Shock Hazard.
Disconnect power before cleaning.
Do not immerse cord or plug in any liquid.



Unplug; allow to cool completely.
Remove and empty drip tray.
Do not use metal scouring pads or abrasive cleansers.



Wash all parts EXCEPT temperature-controlling plug in hot, soapy water. Dry thoroughly.



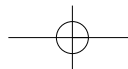
Troubleshooting

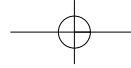
PROBLEM

Low, poor, or slow heating.

PROBABLE CAUSE/SOLUTION

- Allow griddle to heat for 10 to 15 minutes before use.
- Make sure the Temperature-Controlling Plug is fully inserted into the unit.





Limited Warranty

This warranty applies to products purchased in the U.S. and Canada. This is the only express warranty for this product and any other warranty or condition.

This product is warranted to be free from defects in material and workmanship for a period of one (1) year from the purchase. During this period, your exclusive remedy is repair or replacement of this product or any component found to be defective at our option; however, you are responsible for all costs associated with returning the product to us and our return shipping costs. A component under this warranty to you. If the product or component is no longer available, we will replace with a similar or greater value.

This warranty does not cover glass, filters, wear from normal use, use not in conformity with the printed directions, or product resulting from accident, alteration, abuse, or misuse. This warranty extends only to the original consumer purchaser or recipient. Keep the original sales receipt, as proof of purchase is required to make a warranty claim. This warranty is intended for use for other than single-family household use.

We exclude all claims for special, incidental, and consequential damages caused by breach of express or implied warranty. The amount of the purchase price. **Every implied warranty, including any statutory warranty or condition of merchantability or fitness for a particular purpose, is disclaimed except to the extent prohibited by law, in which case the implied warranty or condition is limited to the duration of this written warranty.** This warranty gives you specific legal rights. You may have other legal rights that vary depending on where you live. Some states or provinces do not allow limitations on the amount or type of damages, warranties or special, incidental, or consequential damages, so the foregoing limitations may not apply to you.

To make a warranty claim, do not return this appliance to the store. Please call 1.800.851.8900 in the U.S. or 1.800.261.8900 in Canada or visit hamiltonbeach.com in the US or hamiltonbeach.ca in Canada. For faster service, locate the model, type, and serial number on your appliance.

