

This Owner's Manual is provided and hosted by [Appliance Factory Parts](#).



# HAMILTON BEACH 22117 Owner's Manual

[Shop genuine replacement parts for HAMILTON  
BEACH 22117](#)



[Find Your HAMILTON BEACH Small Appliance Parts - Select From 252 Models](#)

----- Manual continues below -----



# RECIPES AND USER GUIDE

TOASTER

PAGE 2

# RECETTES ET GUIDE DE L'UTILISATEUR

GRILLE-PAIN

À LA PAGE 14

# GUÍA DE USO

TOSTADOR

PÁGINA 26



## READ BEFORE USE

USA: 1-800-851-8900  
Canada: 1-800-267-2826

## LIRE AVANT L'UTILISATION

Canada : 1-800-267-2826

## LEA ANTES DE USAR

México : 01-800-71-16-100  
Le invitamos a leer cuidadosamente este  
instructivo antes de usar su aparato.

*Dear Toaster Owner,*

*Congratulations on your purchase. The Hamilton Beach® Eclectrics™ Collection adds a modern twist to those dependable, all-metal appliances you remember from yesteryear.*

*Owning a Hamilton Beach® is like owning a piece of history. In 1904, Louis Hamilton and Chester Beach teamed up to bring motorized appliances like vacuums, sewing machines, and mixers into American households. In honor of their 100-year legacy, we've combined the "built to last" metal construction of the past with the styling of today to bring lasting quality and style to your kitchen.*

*As you use your all-metal appliance, think about the history that came before it. Enjoy the confidence you have in a product backed by years of experience and a 3-year warranty. But most of all, fill your home with the delicious aroma of homemade recipes that your appliance helps you create!*

*I hope you enjoy your Hamilton Beach® Eclectrics™ appliance for many years to come.*

*Sincerely,*



*Michael J. Morecroft  
President and Chief Executive Officer  
Hamilton Beach/Proctor-Silex, Inc.*

# Table of Contents

|  |   |                                   |      |
|--|---|-----------------------------------|------|
| Warranty Information .....               | 3 | Tips and Troubleshooting .....    | 7    |
| Important Safeguards .....               | 4 | Cleaning Your Toaster .....       | 8    |
| Toasting Guide .....                     | 5 | Recipes .....                     | 8-13 |
| Assistance and Service Information ..... | 5 | <i>Cream Cheese Spreads</i> ..... | 8    |
| Parts and Features .....                 | 6 | <i>Flavored Butters</i> .....     | 9    |
| Using Your Toaster .....                 | 7 | <i>Sandwiches and Pizza</i> ..... | 10   |
|  |   | <i>Bread</i> .....                | 11   |

# Warranty Information

## Standard Three Year Warranty

Congratulations! You now own one of the finest toasters. We're so confident in the quality and craftsmanship of your new toaster that we're backing your purchase with a No-Hassle 3-Year Replacement Warranty. If your toaster malfunctions within 3 years of purchase, we will deliver a brand new replacement toaster to your door and remove the old unit at no cost to you. Here's how it works:

| Warranty Term   | To fulfill the warranty:   | Hamilton Beach® will  | Hamilton Beach® will not pay for  |
|---|--|---|---|
| <p>Three years from date of original purchase for toasters operated in the continental United States, Alaska, Hawaii, and Canada.</p> <p>This warranty applies only to the original consumer purchaser.</p> | <ol style="list-style-type: none"> <li>1. Follow the instructions in this Manual. Refer to <b>Tips &amp; Troubleshooting</b> sections if you have any problems operating the unit. If you have any questions, call one of the Customer Service numbers on page 5.</li> <li>2. Keep your proof of purchase. If the unit malfunctions within 3 years of purchase, call one of the Customer Service numbers on page 5.</li> </ol> | <ol style="list-style-type: none"> <li>1. Send a pre-paid shipping label so you can send us the unit.</li> <li>2. Ship a brand new replacement unit to your address.</li> </ol> | <p>Product failures arising from abuse, misuse, neglect, use for commercial purposes, or use contrary to this Manual.</p> <p>THIS WARRANTY IS IN LIEU OF ANY OTHER WARRANTY OR CONDITION, EXPRESS OR IMPLIED, WRITTEN OR ORAL, INCLUDING ANY WARRANTY, STATUTORY WARRANTY OR CONDITION OF MERCHANTABILITY OR FITNESS FOR A PARTICULAR PURPOSE. ANY LIABILITY IS EXPRESSLY LIMITED TO THE PURCHASE PRICE PAID. ALL CLAIMS FOR SPECIAL, INCIDENTAL OR CONSEQUENTIAL DAMAGES ARE EXPRESSLY EXCLUDED.</p> |

## WARNING

### Fire Hazard

- Do not operate while unattended.
- Do not use with food that has been spread with butter, jelly, frosting, etc.
- Do not use with rice cakes, fried foods, frozen prepared foods or non-bread items.
- Do not use with toaster pastries. Always cook toaster pastries in a toaster oven broiler.
- Do not cover or use near curtains, walls, cabinets, paper or plastic products, cloth towels, etc.
- Close supervision is necessary when used by or near children.
- Always unplug toaster when not in use.
- Failure to follow these instructions can result in death or fire.

### Shock Hazard

- Do not immerse this appliance in water or other liquid.
- This appliance has a polarized plug (one wide blade) that reduces the risk of electrical shock. The plug fits only one way into a polarized outlet. Do not defeat the safety purpose of the plug by modifying the plug in any way or using an adaptor. If the plug does not fit, reverse the plug. If it still does not fit, have an electrician replace the outlet.

## IMPORTANT SAFEGUARDS

When using electrical appliances, basic safety precautions should always be followed, including the following:

1. Read all instructions.
2. Do not operate toaster while unattended.
3. Close supervision is necessary when any appliance is used by or near children.
4. Do not attempt to dislodge food when toaster is plugged in.
5. To protect against electrical shock, do not immerse cord, plug, or toaster in water or other liquid.
6. Unplug from outlet when not in use and before cleaning. Allow to cool before putting on or taking off parts, or moving toaster.
7. Do not operate toaster with a damaged cord or plug or after toaster malfunctions or has been damaged in any manner. Call our toll-free customer service number for information on examination, repair or adjustment.
8. Oversized foods, metal foil packages, or utensils must not be inserted in a toaster as they may involve a risk of fire or electric shock.
9. Do not clean with metal scouring pads. Pieces can break off pad and touch electrical parts resulting in risk of electrical shock.
10. A fire may occur if toaster is covered or touching flammable material, including curtains, draperies, walls, overhead cabinets, paper or plastic products, cloth towels, and the like, when in operation.
11. Do not operate toaster in an enclosed space, such as an appliance cabinet, caddy, garage or other storage area.
12. Do not cook, warm, or toast rice cakes, fried foods, non-bread items or toaster pastries. Toaster pastries should be heated in a toaster oven broiler. Do not heat any food product that has been spread or iced with margarine, butter, jelly, frosting, syrup, or other spread. Follow Toasting Guide.
13. Failure to clean crumb tray may result in a fire hazard.
14. Do not place on or near a hot gas or electric burner, or in a heated oven.
15. Do not touch hot surfaces. Use handles or knobs.
16. The use of accessory attachments not recommended by Hamilton Beach/Proctor-Silex, Inc. may cause injuries.
17. Do not let cord hang over edge of table or counter, or touch hot surfaces, including the stove.
18. Before unplugging toaster, make sure bread lifter is in "up" position.
19. Do not use outdoors.
20. Do not use toaster for other than intended use.
21. This product is for household use only.

## SAVE THESE INSTRUCTIONS

## Other Consumer Safety Information

To avoid a circuit overload, do not operate another high wattage appliance on the same circuit.

The length of the cord used on this appliance was selected to reduce the hazards of becoming tangled in, or tripping over, a longer cord. If a longer cord is necessary, an approved extension cord

may be used. The electrical rating of the extension cord must be equal to or greater than the rating of the toaster. Care must be taken to arrange the extension cord so that it will not drape over the countertop or tabletop where it can be pulled on by children or accidentally tripped over.

## Toasting Guide

| FOOD   | Shade Setting           | Optional Setting* |
|--|-------------------------|-------------------|
| Regular bread  | Med. Light to Med. Dark | Toast             |
| English muffins  | Med. Dark               | Bagel             |
| Bagels   | Med. to Dark            | Bagel             |
| Frozen bread or buns   | Med. Dark               | Toast             |
| Frozen waffles or pastries   | Light                   | Toast             |
| Toaster pastries (such as Pop Tarts®)<br>Do not heat in toaster – use toaster oven broiler. If you must use toaster – ALWAYS set to lowest shade setting, NEVER heat cracked, broken or warped pastries, and NEVER leave unattended. |                         |                   |

\*on selected models

® Pop Tart is a registered trademark of the Kellogg Co.

## Assistance and Service

### Before Calling for Assistance

#### Please read before calling:

- The toaster may warm up during use. This is normal.
- The toaster may emit an odor, especially when new.

#### If your toaster should malfunction or fail to operate, please check the following:

- Is the toaster plugged in?

- Is the fuse in the circuit to the toaster in working order? If you have a circuit breaker box, be sure the circuit is closed.
- If the problem is not due to one of the items mentioned above, see Customer Service Information.
- DO NOT return the toaster to the retailer as they do not provide service.

## Customer Service Information

If you have a question about your toaster, call our toll-free customer service number. Before calling, please note the model, type, and series numbers and fill in that information below. These numbers can be found on the bottom of your toaster. This information will help us answer your question much more quickly.

MODEL: \_\_\_\_\_ TYPE : \_\_\_\_\_ SERIES: \_\_\_\_\_

### CUSTOMER SERVICE NUMBERS

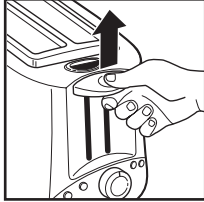
In the U.S. 1-800-851-8900 • In Canada 1-800-267-2826  
[hamiltonbeach.com](http://hamiltonbeach.com) • [hamiltonbeach.ca](http://hamiltonbeach.ca)

**KEEP THESE NUMBERS FOR FUTURE REFERENCE!**

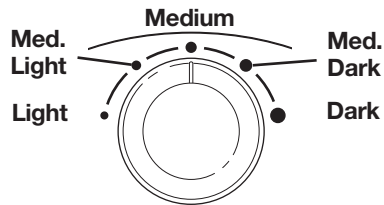
# Parts and Features

## 1. Food Slots with Guides

- 2. Bread Lifter** – Push down bread lifter to start toaster. The bread lifter may be lifted up to stop toasting during a cycle.



- 3. Shade Selector** – The shade selector ranges from light to dark. Adjust to desired setting before using.



## 4. Programming Buttons

**ON•Cancel** – This light will illuminate when the toaster is on. To cancel or end a cycle, press the On/Cancel button. The cycle will stop and the light will go out.

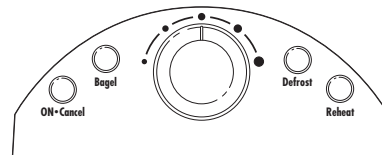
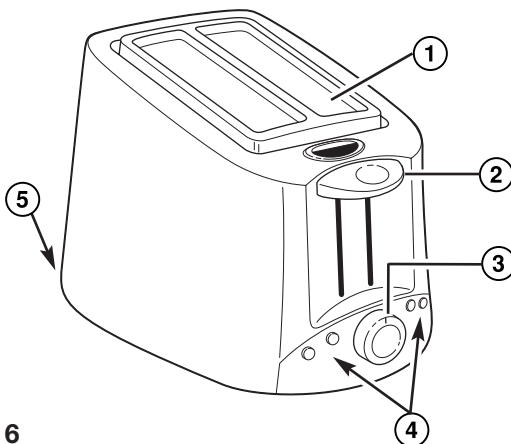
**Bagel** – Use to toast only one side of a cut bagel. Load toaster with cut side of the bagel facing out, as the center heating element is turned off during this cycle. To use: press the Bagel button after the toast cycle has started.

**Defrost** – Use only on frozen foods that were made to be placed in a toaster. This feature allows additional time for the food to thaw and heat through. To use: press the Defrost button after the toast cycle has started.

**Reheat** – Use to warm food that has cooled. This function starts a short 30 to 50 second toast cycle. The Shade Selector setting does not affect the Reheat time. To use: press the Reheat button after the toast cycle has started.

**To combine programs is easy. For example, to toast a frozen bagel:**

- Load bagel in toaster with cut sides facing out.
  - Choose desired Shade Selector setting.
  - Push down the Bread Lifter to start the toasting cycle.
  - Press Bagel button, then press Defrost.
- 5. Slide-Out Crumb Tray** (located on back of toaster – see page 8 for more information).



*Programming Buttons and Shade Selector*

## Using Your Toaster

1. Plug toaster into electrical outlet.
2. Place bread or bagel in slots. If toasting bagels or English muffins, place in slots with cut sides facing outside wall of toaster. Select toast shade and press down bread lifter.
3. At the end of toasting cycle, bread will pop up automatically.  
**NOTE: The bread lifter will not latch down unless the toaster is plugged in.**
4. To stop the toasting cycle sooner, lift up bread lifter or push the Cancel button.

## Tips and Troubleshooting

- Toasting is affected by the **temperature of the bread**. Room temperature bread may toast to a medium color on Medium. The same type of bread that has been refrigerated may require setting Medium Dark, and if frozen, Dark.
- The moisture content will also affect toasting. Fresh **bagels**, made locally, will have a higher moisture content than bagels purchased in the bread section of the supermarket. The bagel setting extends toasting time to allow most bagels to toast in one cycle. Fresh bagels made locally may require two toasting cycles.
- Dark is the darkest shade of toast color. If a darker shade is desired, reset at Medium, watch closely and toast for a second cycle.
- Because of the irregular surface of **English muffins**, they may require more than one toasting cycle. After toasting for one cycle on Medium Dark, if a darker shade is desired, adjust shade selector to setting Light or Medium Light and toast for a second cycle. Watch closely to avoid overbrowning. English muffins cut with a knife toast more evenly than English muffins split with a fork.
- To remove food that becomes lodged in food slots, disconnect from outlet and allow toaster to cool. Turn toaster upside down and shake. Do not use fork or other utensil that could damage heating element or result in risk of fire or electrical shock.
- When toasting a single slice, you may notice variations in bread color from side to side.

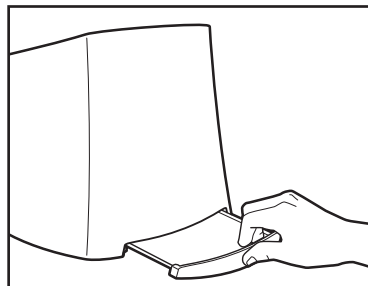
### Shock-Resistant Concealed Elements

A mica shield protects and conceals the heating elements inside each slot, reducing risk of shock due to accidental contact with a metal utensil. Therefore, the heating elements are not visible and will not glow red.

## *Cleaning Your Toaster*

**NOTE:** If the toaster is used daily, the crumb tray should be cleaned weekly.

1. Unplug toaster and let cool.
2. Slide out crumb tray, discard crumbs and wipe tray with clean cloth. Replace crumb tray.
3. Wipe outside of toaster with a damp cloth. Do not use abrasive cleansers that may scratch the surface of the toaster.



## *Cream Cheese Spreads*

Mix cream cheese and the ingredients of one of the variations below to spread on toasted bagels or bread for a delicious breakfast or quick snack!

### **Strawberry Cream Cheese**

---

3 ounce (85 g) package cream cheese, softened  
2 tablespoons (30 ml) strawberry preserves

### **Italian Cream Cheese**

---

4 ounces (115 g) cream cheese, softened  
1 tablespoon (15 ml) milk  
¼ cup (60 ml) Parmesan cheese, grated  
½ teaspoon (2.5 ml) Italian seasoning

### **Mexican Cream Cheese**

---

4 ounces (115 g) cream cheese, softened  
1 tablespoon (15 ml) milk  
½ cup (125 ml) Colby and Monterey Jack cheese, shredded  
½ teaspoon (2.5 ml) chili powder  
½ teaspoon (2.5 ml) cilantro, optional

### **Jalapeño Cream Cheese**

---

3 ounce (85 g) package cream cheese, softened  
2 tablespoons (30 ml) jalapeño jelly

# Flavored Butters

## Orange Honey Butter

---

1 cup (250 ml) unsalted butter (2 sticks), softened  
 ½ tablespoon (7.5 ml) honey  
 ½ teaspoon (2.5 ml) orange zest

Whip butter with electric mixer on HIGH speed until light and fluffy. Mix in honey and orange zest. Store covered in refrigerator. **Makes 8 servings.**

## Italian Butter

---

|  |                                     |
|--|-------------------------------------|
| 1 cup (250 ml) unsalted butter, softened | 1 teaspoon (5 ml) Italian seasoning |
| 1 tablespoon (15 ml) garlic, minced      | ½ teaspoon (2.5 ml) pepper          |
| ¼ cup (60 ml) Parmesan cheese, grated    | ¼ teaspoon (1.25 ml) paprika        |
| 1 teaspoon (5 ml) garlic salt            |                                     |

Beat softened butter with electric mixer on MEDIUM speed until light and fluffy. Combine garlic, Parmesan cheese, garlic salt, Italian seasoning, pepper and paprika. Mix on low setting until smooth. Spread on bread or crackers. Store covered in the refrigerator. **Makes 8 servings.**

## Pizza Butter

---

|  |                                  |
|--|----------------------------------|
| 1 cup (250 ml) unsalted butter, softened | 1½ teaspoon (7.5 ml) garlic salt |
| 1 6 ounce (170 g) can tomato paste       | ½ teaspoon (2.5 ml) oregano      |
| 1 cup (250 ml) Parmesan cheese, grated   | 1 tablespoon (15 ml) parsley     |

Beat softened butter with electric mixer on MEDIUM speed until light and fluffy. Add tomato paste, Parmesan cheese, garlic salt, oregano, and parsley; mix on medium speed until smooth. Spread on bread or crackers. Store covered in the refrigerator. **Makes 8 servings.**

## Cinnamon Butter

---

1 cup (250 ml) unsalted butter, softened  
 2 tablespoons (30 ml) confectioners sugar  
 1 teaspoon (5 ml) ground cinnamon  
 1 dash ground nutmeg

Beat softened butter with electric mixer on on HIGH speed until light and fluffy. Reduce mixer to low speed, add sugar, cinnamon, and nutmeg and whip until smooth and creamy. The perfect addition to pancakes, toast, or biscuits. Store covered in the refrigerator. **Makes 8 servings.**

## Honey Butter

---

1 cup (250 ml) unsalted butter, softened  
 ½ cup (125 ml) honey

Beat softened butter with electric mixer on on HIGH speed until light and fluffy. Reduce mixer to low speed, add honey and whip until smooth. The perfect addition to pancakes, toast, or biscuits. Store covered in the refrigerator. **Makes 8 servings.**

# *Sandwiches and Pizza*

## **Zesty Chicken Sandwich**

---

2 ½-inch (1 cm) slices Whole Wheat Bread (see page 11)  
¼ pound (115 g) chicken breast strips, cooked  
1 tablespoon (15 ml) Italian Butter (see page 9)  
¼ cup (60 ml) spinach  
2 slices tomato  
1 slice provolone cheese

Toast 2 slices of bread. Place chicken, butter, spinach, tomato, and cheese on one slice of toasted bread. Cover with remaining slice of toasted bread.

**Makes 1 sandwich.**

## **Hero Sandwich**

---

2 ½-inch (1 cm) slices Whole Wheat Bread (see page 11)  
1 ounce (25 g) deli ham  
1 ounce (25 g) deli salami  
1 ounce (25 g) deli turkey  
1 tablespoon (15 ml) Italian Cream Cheese (see page 8)  
2 green pepper rings  
2 slices tomato

Toast 2 slices of bread. Place ham, salami, turkey, cream cheese, pepper rings and tomato on one slice of toasted bread. Cover with remaining slice of toasted bread. **Makes 1 sandwich.**

## **5 Minute Pizza**

---

English muffins, split in half and slightly toasted  
Pizza or spaghetti sauce  
Grated mozzarella cheese  
Pepperoni slices

Preheat oven to 450°F (230°C). Place muffin halves on baking pan cut side up. Spread some sauce on top of each muffin. Sprinkle with cheese and top with pepperoni. Place pan in oven and bake for about 5 minutes or until cheese melts.

# Bread

## 100% Whole Wheat Bread

\*Use mixer equipped with dough hooks.

|  |   |
|--|---|
| 1½ teaspoons (7.5 ml) active dry yeast | ½ teaspoon (2.5 ml) salt                    |
| 1 cup (250 ml) warm water              | 1 egg                                       |
| 5 tablespoons (75 ml) vegetable oil    | 3 to 3½ cups (750-875 ml) whole wheat flour |
| 5 tablespoons (75 ml) honey            |   |

In a large bowl sprinkle yeast over water. Let stand 5 to 10 minutes or until foamy. Stir to mix, then add oil, honey, salt, and egg. Mix. Add 2 cups (500 ml) of the flour and mix for about 1 minute. Let stand about 20 minutes until bubbly and starting to rise. Add 1 more cup (250 ml) flour and mix.\* Add enough of the remaining flour until dough forms a smooth ball that is slightly sticky to the touch.

Place dough in large, greased bowl. Cover and let rise 30 minutes or until double in size. Punch dough down and let rise 1 hour. Punch down. Shape into loaf. Place into 9x5 inch (23 x 13 cm) greased loaf pan and let rise until double in size, about 30 minutes. Bake at 400°F (205°C) for 30 minutes.

**Substitution:** For this whole wheat bread, do not substitute all-purpose flour for any of the whole wheat flour.

### ***Success Tip!***

To shape loaves, roll out the dough to a rectangle, with the shorter side being slightly longer than the length of the pan. Starting at the shorter end, roll up the dough. Tuck the end under and place in the greased loaf pan.

## Basic White Bread

\*Use mixer equipped with dough hooks.

|  |   |
|--|---|
| 1½ teaspoons (7.5 ml) active dry yeast               | 2 tablespoons (30 ml) sugar                 |
| 1¼ cups (310 ml) warm water                          | 1 teaspoon (5 ml) salt                      |
| 1½ tablespoons (22.5 ml) butter or margarine, melted | 3 to 3½ cups (750-875 ml) all-purpose flour |

In a large mixing bowl, combine yeast and ¼ cup (60 ml) warm water. Stir until dissolved. Add remaining warm water, butter, sugar and salt. Stir until mixed. Add 3 cups (750 ml) of flour and mix\* until blended. Add enough of the remaining flour until dough forms a smooth ball that is slightly sticky to the touch.

Place dough in large, greased bowl. Cover and let rise until double in size, about 1 hour. Punch dough down and shape into loaf. Place loaf into 9x5-inch (23 x 13 cm) greased loaf pan and let rise until double in size, about an hour. Bake at 400°F (205°C) for 30 minutes.

### ***Success Tip!***

Warm water for dissolving dry yeast should be between 105°F (41°C) and 115°F (46°C). If a thermometer isn't available, run hot water over your wrist. It should feel very warm, but not uncomfortably hot.

# Bread

## Onion Herb Bread

---

\*Use mixer equipped with dough hooks.

1½ teaspoons (7.5 ml) active dry yeast  
¼ cup (60 ml) warm water  
1 tablespoon (15 ml) vegetable oil  
¼ cup (60 ml) finely chopped onion  
¾ cup (175 ml) milk  
1 tablespoon (15 ml) dried parsley flakes  
2 tablespoons (30 ml) sugar  
½ teaspoon (2.5 ml) salt  
¼ teaspoon (1.25 ml) dried dill weed  
⅛ teaspoon (0.63 ml) ground sage  
6 tablespoons (90 ml) yellow cornmeal  
2 to 2½ cups (500–625 ml) bread flour

In small bowl dissolve yeast in warm water. In small pan, saute onion in oil until tender. In large mixing bowl combine onion, milk, parsley, sugar, salt, dill-weed, sage, and yeast. Stir to mix. Add cornmeal and 2 cups (500 ml) of the flour. Mix on Speed 5 or 6. Add enough of the remaining flour until dough forms a smooth ball that is slightly sticky to the touch. Place dough in large, greased bowl. Cover and let rise until double in size.

Punch down dough and shape into loaf. Place into 9x5-inch (23 x 13 cm) greased loaf pan and let rise until double in size about 40 minutes or until double in size. Bake in 400°F (205°C) oven for 30 minutes.

**Substitution:** If fresh dill weed is on hand, 1 tablespoon (15 ml) of chopped, fresh dill weed can be used instead of ¼ teaspoon (2.5 ml) of dried dill weed.

### **Success Tip!**

Bread dough rises best at a temperature between 75°F (24°C) and 85°F (29°C). If the kitchen is cold, place the bowl of covered dough on a rack in the oven. Place a bowl of hot water on a rack below. Do not turn on the oven during rising.

# Bread

## Honey Wheat Bread

---

\*Use mixer equipped with dough hooks

1½ teaspoons (7.5 ml) active dry yeast

¼ cup (60 ml) warm water

¾ cup + 2 tablespoons (175 ml + 30 ml) milk

2 tablespoons (30 ml) butter or margarine, melted

2 tablespoons (30 ml) honey

1 teaspoon (5 ml) salt

1½ cups (375 ml) whole wheat flour

1 to 2 cups (250-625 ml) all-purpose flour

In a large mixing bowl, combine yeast and water. Stir until dissolved. Add milk, butter, honey, and salt. Stir until mixed. Add whole wheat flour and 1 cup (250 ml) of all-purpose flour and mix until blended. Add enough of the remaining flour and continue kneading until dough forms a smooth ball that is slightly sticky to the touch. Place dough in large, greased bowl and cover with a towel. Let rise until double in size, about an hour.

Punch dough down and shape into loaf. Place loaf into 9x5-inch (23 x 13 cm) greased loaf pan and let rise until double in size, about 1 hour. Bake in 400°F (205°C) oven about 30 minutes.

**Substitution:** Follow the recipe, using the given amounts of whole wheat bread and all-purpose flour. Substituting all whole-wheat flour can result in a coarse and dense texture.

### **Success Tip!**

Always store honey at room temperature, not in the refrigerator. Refrigeration promotes crystallization. Some crystallization will occur even at room temperature and this is normal. To remove crystals, place the jar of honey in warm water until crystals melt.

*Cher propriétaire de grille-pain,*

*Félicitations pour votre achat. La Collection Hamilton Beach® Eclectrics™ ajoute une touche moderne à ces appareils électroménagers fiables, entièrement en métal, que vous vous rappelez d'hier.*

*Posséder un Hamilton Beach®, c'est posséder un morceau d'histoire. En 1904, Louis Hamilton et Chester Beach se sont associés pour amener dans les foyers américains des appareils électroménagers comme les aspirateurs, les machines à coudre et les mélangeurs. En l'honneur de leur 10ème anniversaire, nous avons réussi à construire pour durer, un appareil en métal du passé et à y ajouter le style d'aujourd'hui pour amener une qualité durable et du style dans votre cuisine.*

*Quand vous utiliserez votre appareil tout en métal, pensez à l'histoire qui l'a précédé. Profitez de la confiance que vous avez dans un produit soutenu par des années d'expérience et 3 années de garantie. Mais plus que tout, remplissez votre foyer de la senteur délicieuse des recettes maison que votre appareil électroménager vous aide à créer!*

*J'espère que vous profiterez de votre appareil Hamilton Beach® Eclectrics™ pendant de nombreuses années.*

*Sincèrement,*



*Michael J. Morecroft  
Président et PDG  
Hamilton Beach/Proctor-Silex, Inc.*

## Table des matières

|                                  |    |                                   |       |
|----------------------------------|----|-----------------------------------|-------|
| Renseignements de garantie ..... | 15 | Recettes.....                     | 21-25 |
| Précautions importantes .....    | 16 | <i>Tartinades au fromage</i>      |       |
| Renseignements d'assistance      |    | <i>à la crème .....</i>           | 21    |
| et de service .....              | 18 | <i>Beurres aromatisés.....</i>    | 22    |
| Pièces et caractéristiques ..... | 19 | <i>Sandwiches et pizzas .....</i> | 23    |
| Utilisation du grille-pain ..... | 20 | <i>Pains.....</i>                 | 24    |
| Conseils et dépannage .....      | 20 |                                   |       |
| Nettoyage .....                  | 21 |                                   |       |

## Garantie standard de trois ans

Félicitations! Vous êtes maintenant en possession de l'un des meilleurs grille-pain. Notre confiance à l'égard de la qualité et de la conception de votre nouveau grille-pain est telle que nous assortissons votre achat d'une garantie de remplacement de 3 ans sans complications. En cas de dysfonctionnement de votre grille-pain dans les 3 ans suivant la date d'achat, l'appareil défectueux sera récupéré chez vous et un nouvel appareil vous sera remis sans frais. Voici comment cela fonctionne :

| Conditions de la garantie  | Pour bénéficier de la garantie  | Hamilton Beach® s'engage à  | Hamilton Beach® ne paiera pas pour  |
|--|---|---|---|
| Trois ans à compter de la date de l'achat original pour les grille-pains utilisés dans les États américains continentaux, en Alaska, à Hawaii et au Canada.<br><br>Cette garantie ne s'applique qu'à l'acheteur d'origine. | 1. Suivez les instructions de ce Manuel. Référez-vous à la section <b>Conseils et dépannage</b> si vous rencontrez le moindre problème pour faire fonctionner l'appareil. Si vous avez une question, appelez le Service à la clientèle dont les numéros se trouvent à la page 18.<br><br>2. Conservez la preuve d'achat. En cas de dysfonctionnement de l'appareil dans les 3 ans suivant l'achat, appelez l'un des numéros du Service à la clientèle se trouvant à la page 18. | 1. Vous envoyer une étiquette prépayée pour l'expédition de votre appareil défectueux.<br><br>2. Vous livrer à domicile un appareil de rechange neuf. | Les vices du produit causés par l'abus, le mésusage, la négligence, l'usage à des fins commerciales ou tout autre usage non prescrit dans ce Manuel.<br><br>LA PRÉSENTE GARANTIE REMPLACE TOUTE AUTRE GARANTIE OU CONDITION, EXPRESSE OU IMPLIQUÉE, ÉCRITE OU ORALE, CONTENANT TOUTE GARANTIE, GARANTIE LÉGALE OU CONDITION D'UTILISATION MARCHANDE OU DE CONVENANCE À UNE UTILISATION À DES FINS PARTICULIÈRES. TOUTE RESPONSABILITÉ EST EXPRESSÉMENT LIMITÉE À UN MONTANT ÉGAL AU PRIX D'ACHAT PAYÉ. TOUTES LES RÉCLAMATIONS POUR DOMMAGES SPÉCIAUX ET INDIRECTS SONT EXPRESSÉMENT EXCLUES. |

## **! AVERTISSEMENT**

### **Risque d'incendie**

- Ne pas faire fonctionner sans surveillance.
- Ne pas utiliser avec des aliments beurrés, tartinés, glacés, etc.
- Ne pas utiliser avec des croquettes de riz, des aliments frits, plats préparés surgelés ou des articles qui ne sont pas du pain.
- Ne pas utiliser avec des pâtisseries à griller. Toujours faire cuire les pâtisseries à griller dans un four grille-pain.
- Ne pas couvrir le grille-pain ou l'utiliser près de rideaux, murs, armoires, produits en papier ou en plastique, serviettes en tissu, etc.
- Une bonne surveillance est nécessaire lorsque l'appareil est utilisé par ou près d'enfants.
- Toujours débrancher le grille-pain lorsqu'on ne l'utilise pas.
- Le non-respect de ces instructions peut causer un décès ou un incendie.

### **Risque d'électrocution**

- N'immergez pas cet appareil dans l'eau ou tout autre liquide.
- Cet appareil est muni d'une fiche polarisée (une lame plus large) qui réduit les risques d'électrocution. La fiche s'introduit dans la prise polarisée dans un sens seulement. Ne nuisez pas à la conception sécuritaire de la fiche en la modifiant de quelque façon que ce soit ou en utilisant un adaptateur. Placez la fiche dans l'autre sens si elle refuse de s'introduire dans la prise. S'il est encore impossible d'insérer la fiche, demandez à un électricien de remplacer la prise électrique.

## **PRÉCAUTIONS IMPORTANTES**

Lors de l'utilisation d'appareils électroménagers, des précautions fondamentales de sécurité doivent toujours être observées, y compris ce qui suit :

1. Lire toutes les instructions.
2. Ne pas faire fonctionner le grille-pain sans surveillance.
3. Une bonne surveillance est nécessaire lorsqu'un appareil ménager est utilisé par des enfants ou près d'eux.
4. Ne pas essayer de dégager un aliment lorsque le grille-pain est branché.
5. Pour protéger contre le risque de choc électrique, ne pas immerger le cordon, la fiche ou le grille-pain dans l'eau ou autre liquide.
6. Débrancher le grille-pain de la prise de courant lorsqu'il n'est pas utilisé et avant le nettoyage. Le laisser refroidir avant d'y ajouter ou d'y enlever des pièces ou de le déplacer.
7. Ne pas faire fonctionner le grille-pain avec un cordon ou une fiche endommagés ou lorsque le grille-pain ne fonctionne pas bien ou a été endommagé d'une manière quelconque. Veuillez composer notre numéro de service à la clientèle sans frais pour des renseignements concernant examen, réparation, ou ajustement.
8. Ne pas insérer des aliments de trop grande taille, des emballages en feuille métallique ou des ustensiles dans les fentes du grille-pain, car ces éléments peuvent provoquer un risque d'incendie ou de choc électrique.
9. Ne pas nettoyer l'appareil avec des tampons métalliques à récuser. Des pièces peuvent se séparer du tampon et toucher des parties électriques et entraîner un risque de choc électrique.

10. Un incendie peut survenir si le grille-pain est recouvert ou en contact avec un matériau inflammable, y compris rideaux, tentures, murs, armoires en surplomb, produits en papier ou en plastique, serviettes en tissu et autres articles semblables, lorsqu'il fonctionne.
11. Ne pas faire fonctionner le grille-pain dans un endroit clos tel que la caisse d'un appareil ménager, une boîte de rangement, un garage ou autre lieu de rangement.
12. Ne pas faire cuire, réchauffer ou griller des croquettes de riz, des aliments frits, des articles qui ne sont pas du pain ou des pâtisseries à griller. Les pâtisseries à griller devraient être réchauffées dans un four grille-pain. Ne pas faire chauffer d'aliments sur lesquels on a étendu margarine, beurre, gelée, glaçage, sirop ou autre garniture. Suivre le Guide d'utilisation.
13. L'omission de nettoyer le plateau à miettes peut entraîner un risque d'incendie.
14. Ne pas placer l'appareil sur ou près d'un brûleur chaud à gaz ou électrique ou dans un four chauffé.
15. Ne pas toucher les surfaces chaudes. Utiliser les poignées ou les boutons.
16. L'utilisation d'accessoires non recommandés par Hamilton Beach/Proctor-Silex, Inc. peut causer des blessures.
17. Ne pas laisser le cordon pendre du bord d'une table ou d'un comptoir, ou toucher des surfaces chaudes, y compris la cuisinière.
18. Avant de débrancher le grille-pain, s'assurer que la manette de soulèvement est à la position soulevée.
19. Ne pas utiliser à l'extérieur.
20. Ne pas utiliser le grille-pain pour toute autre fin que son utilisation déterminée.
21. Ce produit est destiné à l'utilisation domestique seulement.

## CONSERVEZ CES INSTRUCTIONS

### Renseignements de sécurité aux consommateurs

Afin d'éviter une surcharge électrique, évitez d'utiliser un autre appareil à haute puissance sur le même circuit.

La longueur du cordon de cet appareil a été choisie de façon à ce que l'on ne risque pas de trébucher dessus. Si un cordon plus long est nécessaire, utiliser une rallonge appropriée. Le

calibrage de la rallonge doit être le même que celui du grille-pain ou supérieur. Lorsqu'on utilise une rallonge, s'assurer qu'elle ne traverse pas la zone de travail, que des enfants ne puissent pas tirer dessus par inadvertance et qu'on ne puisse pas trébucher dessus.

### Guide d'utilisation

| ALIMENT                          | Réglage du grillage    | Réglage facultatif* |
|----------------------------------|------------------------|---------------------|
| Pain ordinaire                   | Moy. pâle à moy. foncé | Rôtie               |
| Muffins anglais                  | Moy. foncé             | Bagel               |
| Bagels                           | Moy. à foncé           | Bagel               |
| Pain ou petits pains congelés    | Moy. foncé             | Rôtie               |
| Gaufres ou pâtisseries congelées | Pâle                   | Rôtie               |

Pâtisseries à griller (telles que Pop Tart®)  
 Ne pas faire chauffer dans le grille-pain – utiliser un four grille-pain. Si vous devez utiliser un grille-pain – TOUJOURS utiliser le réglage le plus faible, NE JAMAIS faire chauffer des pâtisseries fissurées, brisées ou déformées, et NE JAMAIS faire fonctionner sans surveillance.

\* sur les modèles sélectionnés

® Pop Tart est une marque de commerce déposée de la Cie Kellogg Co.

# *Assistance et service*

## **Avant d'appeler pour obtenir de l'assistance**

---

### **Veillez lire ces instructions avant de téléphoner :**

- Il est possible que le grille-pain chauffe pendant l'utilisation. Ceci est normal.
- Il est possible qu'une odeur spéciale se dégage du grille-pain, particulièrement si celui-ci est neuf.

### **Si votre grille-pain présente un défaut de fonctionnement ou ne fonctionne pas du tout, veuillez vérifier ce qui suit :**

- Le grille-pain est-il bien branché?
- Le fusible situé dans le circuit relié au grille-pain fonctionne-t-il bien? Si vous possédez un boîtier-disjoncteurs, assurez-vous que le circuit est bien fermé.
- Éteindre le grille-pain pendant 10 à 15 secondes, puis le rallumer.
- Si le problème ne correspond à aucun des cas mentionnés ci-dessus, contacter le Service à la clientèle.
- NE PAS rapporter le grille-pain chez le détaillant puisque ce dernier ne fournit pas le service.

## **Service à la clientèle**

---

Si vous avez une question au sujet du grille-pain, composer notre numéro sans frais du service à la clientèle. Avant de faire un appel, veuillez noter les numéros de modèle, de type, de série et inscrire ces renseignements ci-dessous. Ces numéros se trouvent à la base du grille-pain. Ces renseignements nous aideront à répondre beaucoup plus vite à toute question.

**MODÈLE:** \_\_\_\_\_ **TYPE :** \_\_\_\_\_ **SÉRIE:** \_\_\_\_\_

### **NUMÉRO DU SERVICE À LA CLIENTÈLE**

Au Canada : 1-800-267-2826

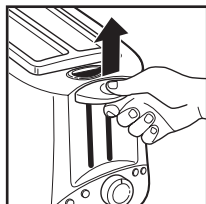
[hamiltonbeach.com](http://hamiltonbeach.com)

[hamiltonbeach.ca](http://hamiltonbeach.ca)

**CONSERVEZ CE NUMÉRO POUR RÉFÉRENCE ULTÉRIEURE !**

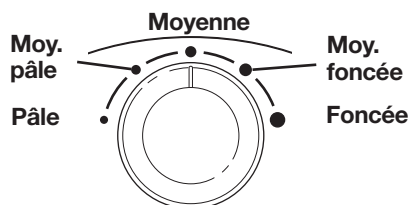
## Pièces et caractéristiques

1. Fentes pour aliments avec guides
2. Manette de soulèvement – Abaisser



la manette pour allumer le grille-pain. La manette de soulèvement du pain peut être levée pour éteindre le grille-pain pendant un programme.

3. Sélecteur de nuance – Le sélecteur de nuance varie de pâle à foncée. Ajuster le sélecteur au réglage désiré avant l'utilisation.



4. Boutons de programmation  
**ON•Cancel (marche•annulation)** – Cet indicateur lumineux s'allume lorsque le grille-pain est allumé. Pour annuler ou terminer un programme, appuyer sur le bouton On/Cancel. Le programme s'arrêtera et la lumière s'éteindra.

**Bagel** – Utiliser pour griller seulement un côté d'un bagel coupé en deux. Charger le grille-pain avec le côté coupé du bagel tourné vers l'extérieur, car l'élément de chauffage du centre est éteint durant ce programme.

Utilisation : Appuyer sur le bouton Bagel lorsque le programme pour griller a commencé.

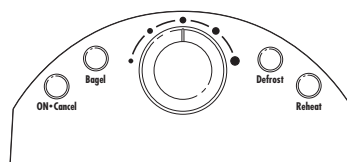
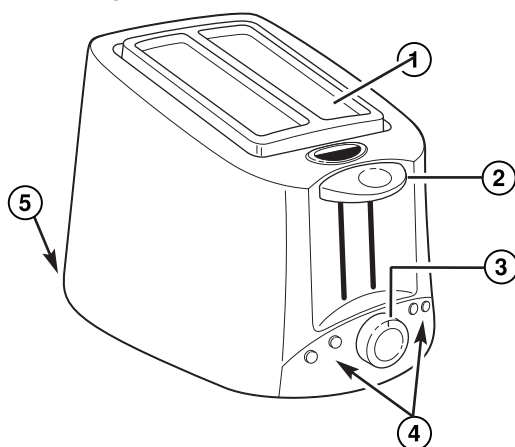
**Defrost (décongélation)** – Utiliser seulement avec des aliments congelés qui sont préparés pour être placés dans un grille-pain. Cette caractéristique permet un temps additionnel pour décongeler l'aliment et le chauffer à fond. Utilisation : Appuyer sur le bouton Defrost après que le programme du grille-pain a commencé.

**Reheat (réchauffage)** – Utiliser pour réchauffer un aliment qui a refroidi. Cette fonction commence un programme court de 30 à 50 secondes du grille-pain. Le réglage du sélecteur de nuance n'affecte pas le temps de réchauffage. Utilisation : Appuyer sur le bouton Reheat lorsque le programme du grille-pain a commencé.

**Il est facile de combiner les programmes. Par exemple, pour faire griller un bagel congelé :**

- Placer le bagel dans le grille-pain avec le côté coupé vers l'extérieur.
- Choisir le réglage désiré du sélecteur de nuance.
- Abaisser la manette de soulèvement du pain pour commencer le programme du grille-pain.
- Appuyer sur le bouton Bagel et ensuite sur Defrost.

5. Plateau amovible de miettes (situé à l'arrière du grille-pain – voir page 21 pour plus de renseignements).



Boutons de programmation et sélecteur de nuance

## Utilisation du grille-pain

1. Brancher le grille-pain sur une prise de courant.
2. Placer le pain ou les bagels dans les fentes. Si l'on fait griller des bagels ou muffins anglais, les placer dans les fentes côté coupé vers les parois extérieures du grille-pain. Sélectionner le degré de grillage et abaisser la manette.
3. À la fin du programme de grillage, le pain remonte automatiquement.  
**REMARQUE : La manette de soulèvement du grille-pain ne s'enclenche pas tant que le grille-pain n'est pas branché.**
4. Pour arrêter le programme de grillage plus tôt, soulever la manette ou appuyer sur le bouton Cancel.

## Conseils et dépannage

- Le grillage est affecté par la température du pain. Le pain à la température ambiante peut griller à une nuance moyenne au réglage moyen. Le même genre de pain réfrigéré peut demander le réglage moyen foncé et, s'il est congelé, le réglage foncé.
- La teneur en humidité affecte aussi le grillage. Des **bagels** frais, fabriqués localement, auront une teneur plus élevée en humidité que les bagels achetés à la section de boulangerie d'un supermarché. Le réglage du bagel prolonge le temps de grillage pour permettre à la plupart des bagels de griller en un seul programme. Des bagels frais préparés localement peuvent exiger deux programmes de grillage.
- À cause de la surface irrégulière des **muffins anglais**, ils peuvent exiger plus d'un programme de grillage. Après un programme de grillage au réglage moyen foncé, si une nuance plus foncée est désirée, régler le sélecteur de grillage à pâle ou moyen pâle et faire griller pendant un autre programme. Bien surveiller pour éviter le brunissement excessif. Les muffins anglais coupés avec un couteau grillent de façon plus égale que les muffins anglais séparés avec une fourchette.
- Pour dégager un aliment qui se coince dans les fentes, débrancher le grille-pain et le laisser refroidir. Le tourner à l'envers et le secouer. Ne pas utiliser une fourchette ou un autre ustensile qui risque d'endommager l'élément de chauffage ou de causer un incendie ou un choc électrique.
- Lors du grillage d'une seule tranche, il est possible que la nuance de grillage varie d'un côté à l'autre.
- Le réglage foncé donne la rôti la plus foncée. Pour une rôti encore plus foncée, faire griller pendant un autre programme au réglage moyen et bien surveiller.

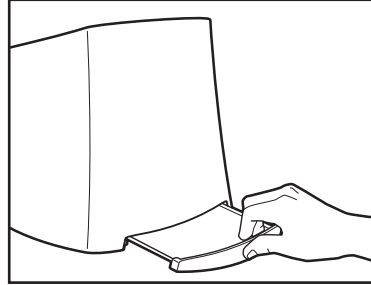
### Éléments dissimulés anti-choc

Un protecteur en mica protège et dissimule les éléments de chauffage à l'intérieur de chaque fente, ce qui réduit le risque de choc dû à un contact accidentel avec un ustensile en métal. Conséquemment, les éléments de chauffage ne sont pas visibles et ne deviendront pas rouge vif.

## Nettoyage

**REMARQUE :** Si le grille-pain est utilisé quotidiennement, le plateau à miettes devrait être nettoyé chaque semaine.

1. Débrancher le grille-pain et le laisser refroidir.
2. Faire glisser et sortir le plateau à miettes et l'essuyer avec un linge propre. Remettre le plateau en place.
3. Essuyer l'extérieur du grille-pain avec un linge humide. Ne pas utiliser de nettoyants abrasifs qui risqueraient d'égratigner la surface du grille-pain.



## Tartinades au fromage à la crème

À l'heure du petit déjeuner ou du goûter, mélanger le fromage à la crème et les ingrédients de l'une des variantes suivantes et tartiner sur des bagels ou du pain grillés.

### Fromage à la crème aux fraises

3 oz (85 g) de fromage à la crème, ramolli  
2 c. à table (30 ml) de confiture de fraises

### Fromage à la crème à l'italienne

4 oz (115 g) de fromage à la crème, ramolli  
1 c. à table (15 ml) de lait  
¼ tasse (60 ml) de parmesan râpé  
½ c. à thé (2,5 ml) d'assaisonnement à l'italienne

### Fromage à la crème à la mexicaine

4 oz (115 g) de fromage à la crème, ramolli  
1 c. à table (15 ml) de lait  
½ tasse (125 ml) de fromage Colby ou Monterey Jack râpé  
½ c. à thé (2,5 ml) d'assaisonnement au chili  
½ c. à thé (2,5 ml) de coriandre (facultatif)

### Fromage à la crème au jalapeño

3 oz (85 g) de fromage à la crème, ramolli  
2 c. à table (30 ml) de gelée de piments jalapeño

## Beurres aromatisés

### Beurre orange et miel

1 tasse (250 ml) de beurre non salé, ramolli  
 ½ c. à table (7,5 ml) de miel  
 ½ c. à thé (2,5 ml) de zeste d'orange

Fouetter le beurre au batteur électrique à vitesse maximale, jusqu'à ce qu'il devienne léger et mousseux. Ajouter le miel et le zeste d'orange et remuer. Couvrir et conserver au réfrigérateur. **Pour 8 personnes.**

### Beurre à l'italienne

|  |  |
|--|--|
| 1 tasse (250 ml) de beurre non salé, ramolli | 1 c. à thé (5 ml) d'assaisonnement à l'italienne |
| 1 c. à table (15 ml) d'ail émincé            | ½ c. à thé (2,5 ml) de poivre                    |
| ¼ tasse (60 ml) de parmesan râpé             | ¼ c. à thé (1,25 ml) de paprika                  |
| 1 c. à thé (5 ml) de sel d'ail               |  |

Battre le beurre ramolli au batteur électrique à vitesse moyenne, jusqu'à ce qu'il devienne léger et mousseux. Ajouter l'ail, le parmesan, le sel d'ail, l'assaisonnement à l'italienne, le poivre et le paprika. Mélanger à vitesse minimale jusqu'à consistance crémeuse. Couvrir et conserver au réfrigérateur. Tartiner sur du pain ou des craquelins. **Pour 8 personnes.**

### Beurre style pizza

|  |                                    |
|--|------------------------------------|
| 1 tasse (250 ml) de beurre non salé, ramolli | 1 ½ c. à thé (7,5 ml) de sel d'ail |
| 1 boîte de 6 oz (170 g) de pâte de tomate    | ½ c. à thé (2,5 ml) d'origan       |
| 1 tasse (250 ml) de parmesan râpé            | 1 c. à table (15 ml) de persil     |

Battre le beurre ramolli au batteur électrique à vitesse moyenne, jusqu'à ce qu'il devienne léger et mousseux. Ajouter la pâte de tomate, le parmesan, le sel d'ail, l'origan et le persil. Mélanger à vitesse minimale jusqu'à consistance crémeuse. Couvrir et conserver au réfrigérateur. Tartiner sur du pain ou des craquelins. **Pour 8 personnes.**

### Beurre à la cannelle

1 tasse (250 ml) de beurre non salé, ramolli  
 2 c. à table (30 ml) de sucre glace  
 1 c. à thé (5 ml) de cannelle  
 1 c. à thé (5 ml) de muscade

Battre le beurre ramolli au batteur électrique à vitesse maximale, jusqu'à ce qu'il devienne léger et mousseux. Réduire à vitesse minimale, ajouter le sucre glace, la cannelle, la muscade et fouetter jusqu'à consistance légère et crémeuse. Couvrir et conserver au réfrigérateur. Servir sur des crêpes, des rôties ou des petits pains mollets. **Pour 8 personnes.**

## Beurre au miel

---

1 tasse (250 ml) de beurre non salé, ramolli  
 ½ tasse (125 ml) de miel

Battre le beurre ramolli au batteur électrique à vitesse maximale, jusqu'à ce qu'il devienne léger et mousseux. Réduire à vitesse minimale, ajouter le miel et fouetter jusqu'à consistance légère et crémeuse. Couvrir et conserver au réfrigérateur. Servir sur des crêpes, des rôties ou des petits pains mollets.

**Pour 8 personnes.**

# *Sandwiches et pizzas*

## Sandwich au poulet relevé

---

2 tranches de pain de blé entier de 1 cm (½ po) d'épaisseur (voir à la page 24)  
 ¼ lb (115 g) de lanières de poitrine de poulet, cuites  
 1 c. à table (15 ml) de beurre à l'italienne (voir à la page 22)  
 ¼ tasse (60 ml) d'épinards  
 2 tranches de tomate  
 1 tranche de fromage provolone

Faire griller les 2 tranches de pain. Mettre le poulet, le beurre, les épinards, les tranches de tomate et le fromage sur une des tranches de pain. Recouvrir de la deuxième tranche de pain. **Donne 1 sandwich.**

## Sous-marin

---

2 tranches de pain de blé entier de 1 cm (½ po) d'épaisseur (voir à la page 24)  
 1 oz (25 g) de jambon cuit tranché (charcuterie)  
 1 oz (25 g) de salami tranché  
 1 oz (25 g) de dindon tranché (charcuterie)  
 1 c. à table (15 ml) de fromage à la crème à l'italienne (voir à la page 21)  
 2 rondelles de poivron vert  
 2 tranches de tomate

Faire griller les 2 tranches de pain. Mettre le jambon cuit, le salami, le dindon, le fromage à la crème, les rondelles de poivron et les tranches de tomate sur une des tranches de pain. Recouvrir de la deuxième tranche de pain. **Donne 1 sandwich.**

## Pizza 5 minutes

---

muffins anglais, coupés en 2 et légèrement grillés  
 sauce pour pâtes ou à pizza  
 fromage mozzarella râpé  
 tranches de pepperoni

Préchauffer le four à 450°F (230°C). Mettre les demi-muffins sur une plaque de cuisson, côté coupé vers le haut. Recouvrir de sauce. Saupoudrer de fromage mozzarella et recouvrir de pepperoni. Cuire au four préchauffé 5 minutes ou jusqu'à ce que le fromage soit fondu.

# Pains

## Pain à 100 % de blé entier

\*Utiliser le batteur muni du crochet pétrisseur..

|   |  |
|---|--|
| 1½ c. à thé (7,5 ml) de levure sèche active | ½ c. à thé (2,5 ml) de sel                         |
| 1 tasse (250 ml) d'eau tiède                | 1 œuf  |
| 5 c. à table (75 ml) d'huile végétale       | 3 à 3½ tasses (750-875 ml) de farine de blé entier |
| 5 c. à table (75 ml) de miel                |  |

Dans un grand bol, saupoudrer la levure sur l'eau. Laisser reposer de 5 à 10 minutes jusqu'à ce que la levure devienne mousseuse. Remuer, ajouter l'huile, le miel, le sel et l'œuf, et mélanger. Ajouter 2 tasses (500 ml) de farine et mélanger environ 1 minute. Laisser reposer environ 20 minutes, jusqu'à ce que des bulles se forment et que la pâte commence à lever. Ajouter 1 tasse (250 ml) de farine et mélanger\*. Ajouter de la farine au besoin, jusqu'à ce que la pâte forme une boule souple et légèrement collante.

Préchauffer le four à 400°F (205°C). Mettre la pâte dans un grand bol beurré. Couvrir d'un linge et laisser lever 30 minutes ou jusqu'à ce que la pâte ait doublé de volume. Écraser la pâte avec le poing et la laisser lever 1 heure. Écraser de nouveau avec le poing. Façonner en un pain et déposer dans un moule à pain beurré de 9x5 po (23 x 13 cm). Laisser doubler de volume, environ 30 minutes. Cuire au four préchauffé 30 minutes.

**Substitution :** Ne pas remplacer la farine de blé entier par de la farine tout usage.

**Truc gagnant :** Pour façonner le pain, abaissez la pâte en rectangle en vous assurant que le plus petit côté soit légèrement plus long que la longueur du moule. En commençant par le plus petit côté, enrôlez la pâte. Mettez la couture en dessous et déposez dans le moule beurré.

## Pain blanc classique

\*Utiliser le batteur muni du crochet pétrisseur.

|  |  |
|--|--|
| 1½ c. à thé (7,5 ml) de levure sèche active                | 2 c. à table (30 ml) de sucre                    |
| 1¼ tasses (310 ml) d'eau tiède                             | 1 c. à thé (5 ml) de sel                         |
| 1½ c. à table (22,5 ml) de beurre (ou de margarine), fondu | 3 to 3½ tasses (750-875 ml) de farine tout usage |

Dans un grand bol, mettre la levure et ¼ tasse (60 ml) d'eau tiède. Remuer pour dissoudre. Ajouter le reste de l'eau, le beurre, le sucre et le sel. Remuer. Ajouter 3 tasses (750 ml) de farine et battre\* jusqu'à consistance homogène. Ajouter de la farine au besoin, jusqu'à ce que la pâte forme une boule souple et légèrement collante.

Préchauffer le four à 205°F (400°F). Mettre la pâte dans un grand bol beurré. Couvrir d'un linge et laisser lever environ 1 heure ou jusqu'à ce que la pâte ait doublé de volume. Écraser la pâte avec le poing. Façonner en un pain et déposer dans un moule à pain beurré de 9 po x 5 po (23 cm x 13 cm). Laisser doubler de volume, environ 1 heure. Cuire au four préchauffé 30 minutes.

**Truc gagnant :** La température de l'eau qui sert à dissoudre la levure devrait se situer entre 100 et 110°F (41 et 46°C). Si vous ne disposez pas d'un thermomètre, faites couler de l'eau chaude sur votre poignet. Sa chaleur doit être tolérable.

## Pain à l'oignon et aux herbes

\*Utiliser le batteur muni du crochet pétrisseur.

|   |   |
|---|---|
| 1½ c. à thé (7,5 ml) de levure sèche active | ½ c. à thé (2,5 ml) de sel                      |
| ¼ tasse (60 ml) d'eau tiède                 | ¼ c. à thé (1,25 ml) d'aneth séché              |
| 1 c. à table (15 ml) d'huile végétale       | ⅛ c. à thé (0,63 ml) de sauge moulue            |
| ¼ tasse (60 ml) d'oignon haché finement     | 6 c. à table (90 ml) de farine de maïs<br>jaune |
| ¾ tasse (175 ml) de lait                    | 2 à 2½ tasses (500-625 ml) de farine<br>à pain  |
| 1 c. à table (15 ml) dried de persil séché  |   |
| 2 c. à table (30 ml) de sucre               |   |

Dans un petit bol, dissoudre la levure dans l'eau. Dans une petite casserole, faire revenir l'oignon dans l'huile jusqu'à ce qu'il soit tendre. Dans un grand bol, mélanger l'oignon, le lait, le persil, le sucre, le sel, l'aneth, la sauge et la levure. Remuer. Ajouter la farine de maïs et 2 tasses (500 ml) de farine. Mélanger\* à vitesse 5 ou 6. Ajouter de la farine au besoin, jusqu'à ce que la pâte forme une boule souple et légèrement collante.

Préchauffer le four à 400°F (205°C). Mettre la pâte dans un grand bol beurré. Couvrir d'un linge et laisser lever jusqu'à ce que la pâte ait doublé de volume. Écraser la pâte avec le poing. Façonner en un pain et déposer dans un moule à pain beurré de 9x5 po (23 x 13 cm). Laisser doubler de volume, environ 40 minutes. Cuire au four préchauffé 30 minutes.

**Substitution :** Vous pouvez remplacer ½ c. à thé (2,5 ml) d'aneth séché par 1 c. à table (15 ml) d'aneth frais, haché.

**Truc gagnant :** La pâte lève mieux à une température se situant entre 75°F et 85°F (24°C et 29°C). Si votre cuisine est froide, couvrez le bol et déposez-le sur la grille supérieure du four. Déposez un bol d'eau chaude sur la grille inférieure. N'allumez pas le four.

## Pain de blé au miel

\*Utiliser le batteur muni du crochet pétrisseur.

|  |   |
|--|---|
| 1½ c. à thé (7,5 ml) de levure sèche active                | 2 c. à table (30 ml) de miel                      |
| ¼ tasse (60 ml) d'eau tiède                                | 1 c. à thé (5 ml) de sel                          |
| ¾ tasse + 2 c. à table<br>(175 ml + 30 ml) de lait         | 1½ tasses (375 ml) de farine<br>de blé entier     |
| 2 c. à table (30 ml) de beurre<br>(ou de margarine), fondu | 1 à 2 tasses (250-625 ml) de<br>farine tout usage |

Dans un grand bol, mettre la levure et l'eau. Remuer pour dissoudre. Ajouter le lait, le beurre, le miel et le sel. Remuer. Ajouter la farine de blé entier et 1 tasse (250 ml) de farine tout usage. Mélanger\* jusqu'à consistance homogène. Ajouter de la farine au besoin et continuer de pétrir jusqu'à ce que la pâte forme une boule souple et légèrement collante. Préchauffer le four à 400°F (205°C). Mettre la pâte dans un grand bol beurré et le recouvrir d'un linge. Laisser lever environ 1 heure ou jusqu'à ce que la pâte ait doublé de volume. Écraser la pâte avec le poing. Façonner en un pain et déposer dans un moule à pain beurré de 9 po x 5 po (23 cm x 13 cm). Laisser doubler de volume, environ 1 heure. Cuire au four préchauffé 30 minutes.

**Substitution :** Respectez la recette à la lettre et particulièrement les quantités de farine de blé entier et de farine tout usage. Si vous n'utilisez que de la farine de blé entier, la texture du pain sera dense et grossière.

**Truc gagnant :** Entreposez le miel à la température ambiante plutôt qu'au réfrigérateur. La réfrigération favorise la cristallisation du miel qui, de façon normale, se produit même à la température ambiante. Pour éliminer les cristaux, mettez le pot de miel dans de l'eau chaude.

*Estimado Propietario de la Tostadora:*

*Felicidades por la compra que ha realizado. La Colección Hamilton Beach® Eclectrics™ brinda un toque moderno a aquellos confiables electrodomésticos totalmente hechos en metal que nos traen recuerdos del pasado.*

*Tener un Hamilton Beach® es como poseer una pieza histórica. En 1904, Louis Hamilton y Chester Beach se asociaron para llevar a los hogares estadounidenses electrodomésticos con motor, tales como aspiradoras, máquinas de coser y batidoras. Para rendir homenaje a su legado de cien años, hemos combinado la fabricación de metal "construida para durar" del pasado con el estilo de hoy a fin de llevar a su cocina calidad y estilo duraderos.*

*Mientras utiliza su electrodoméstico totalmente fabricado en metal, piense sobre la historia que lo precede. Disfrute de la confianza que genera un producto concebido durante años de experiencia y que posee una garantía de 3 años. Pero principalmente, ¡llene su hogar de las deliciosas aromas de recetas hechas en casa que su electrodoméstico le ayudará a crear!*

*Espero que disfrute del electrodoméstico Hamilton Beach® Eclectrics™ durante muchos años venideros.*

*Atentamente,*



*Michael J. Morecroft  
Presidente y CEO  
Hamilton Beach/Proctor-Silex, Inc.*

# Tabla de contenidos

|   |    |  |    |
|---|----|--|----|
| Información sobre la garantía ....                  | 27 | Cómo tostar .....                            | 33 |
| Salvaguardias importantes .....                     | 29 | Sugerencias y diagnóstico de problemas ..... | 33 |
| Información sobre la asistencia y el servicio ..... | 31 | Limpieza de su tostador .....                | 34 |
| Piezas y características .....                      | 32 |  |    |

**Hamilton Beach**

**Proctor Silex**

Grupo HB PS, S.A. de C.V.  
Monte Elbruz No. 124 Int. 601  
Col. Palmitas Polanco  
México, D.F. C.P. 11560  
Tel. 52 82 31 05 y 52 82 31 06  
Fax. 52 82 3167

## PÓLIZA DE GARANTÍA

|  |        |   |         |
|--|--------|---|---------|
| PRODUCTO:  | MARCA: | Hamilton Beach: <input type="checkbox"/><br>Proctor-Silex: <input type="checkbox"/> | MODELO: |
| <p>Hamilton Beach/Proctor-Silex cuenta con una Red de Centros de Servicio Autorizada, por favor consulte en la lista anexa el nombre y dirección de los establecimientos en la República Mexicana en donde usted podrá hacer efectiva la garantía, obtener partes, componentes, consumibles y accesorios; así como también obtener servicio para productos fuera de garantía.<br/>Para mayor información llame sin costo:<br/><b>Centro de Atención al consumidor: 01 800 71 16 100</b></p>  |        |   |         |
| <p>Grupo HB PS, S.A. de C.V. le otorga a partir de la fecha de compra:<br/><b>GARANTÍA DE 3 AÑOS.</b></p>  |        |   |         |
| <b>COBERTURA</b>   |        |   |         |
| <ul style="list-style-type: none"> <li>• Esta garantía ampara, todas las piezas y componentes del producto que resulten con defecto de fabricación incluyendo la mano de obra.</li> <li>• Grupo HB PS, S.A. de C.V. se obliga a reemplazar, reparar o reponer, cualquier pieza o componente defectuoso; proporcionar la mano de obra necesaria para su diagnóstico y reparación, todo lo anterior sin costo adicional para el consumidor.</li> <li>• Esta garantía incluye los gastos de transportación del producto que deriven de su cumplimiento dentro de su red de servicio.</li> </ul>   |        |   |         |
| <b>LIMITACIONES</b>  |        |   |         |
| <ul style="list-style-type: none"> <li>• Esta garantía no ampara el reemplazo de piezas deterioradas por uso o por desgaste normal, como son: cuchillas, vasos, jarras, filtros, etc.</li> <li>• Grupo HB PS, S.A. de C.V. no se hace responsable por los accidentes producidos a consecuencia de una instalación eléctrica defectuosa, ausencia de toma de tierra, clavija de enchufe en mal estado, etc.</li> </ul>  |        |   |         |
| <b>EXCEPCIONES</b>   |        |   |         |
| <p>Esta garantía no será efectiva en los siguientes casos:</p> <ol style="list-style-type: none"> <li>a) Cuando el producto se hubiese utilizado en condiciones distintas a las normales. (Uso industrial, semi-industrial o comercial.)</li> <li>b) Cuando el producto no hubiese sido operado de acuerdo con el instructivo de uso.</li> <li>c) Cuando el producto hubiese sido alterado o reparado por personas no autorizadas por Grupo HB PS, S.A. de C.V.<br/>el fabricante nacional, importador o comercializador responsable respectivo.</li> </ol> <p>El consumidor puede solicitar que se haga efectiva la garantía ante la propia casa comercial donde adquirió su producto, siempre y cuando Grupo HB PS, S.A. de C.V. no cuente con talleres de servicio.</p> |        |   |         |

**PROCEDIMIENTO PARA HACER EFECTIVA LA GARANTÍA**

- Para hacer efectiva la garantía no deben exigirse mayores requisitos que la presentación del producto y la póliza correspondiente, debidamente sellada por el establecimiento que lo vendió.
- Para hacer efectiva la garantía, lleve su aparato al Centro de Servicio Autorizado más cercano a su domicilio (consulte la lista anexa).
- Si no existe Centro de Servicio Autorizado en su localidad siga las siguientes instrucciones:
  1. Empaque su producto adecuadamente para que no se dañe durante el traslado.
  2. Anote claramente sus datos y los del Centro de Servicio al que está enviando el producto.
  3. No incluya partes sueltas ni accesorios para evitar su pérdida.
- El tiempo de reparación, en ningún caso será mayor de 30 días naturales contados a partir de la fecha de recepción del producto en nuestros Centros de Servicio Autorizados.
- En caso de que el producto haya sido reparado o sometido a mantenimiento y el mismo presente deficiencias imputables al autor de la reparación o del mantenimiento dentro de los treinta días naturales posteriores a la entrega del producto al consumidor, éste tendrá derecho a que sea reparado o mantenido de nuevo sin costo alguno. Si el plazo de la garantía es superior a los treinta días naturales, se estará a dicho plazo.
- El tiempo que duren las reparaciones efectuadas al amparo de la garantía no es computable dentro del plazo de la misma. Cuando el bien haya sido reparado se iniciará la garantía respecto de las piezas repuestas y continuará con relación al resto. En el caso de reposición del bien deberá renovarse el plazo de la garantía.

DÍA \_\_\_ MES \_\_\_  
AÑO \_\_\_

Si desea hacer comentarios o sugerencias con respecto a nuestro servicio o tiene alguna queja derivada de la atención recibida en alguno de nuestros Centros de Servicio Autorizados, por favor dirigirse a:

**GERENCIA INTERNACIONAL DE SERVICIO  
(DIMALSA)**

Prof. Av. La Joya s/n. Esq. Av. San Antonio  
Col. El Infiernillo C.P. 54878

Cuautitlán, Edo de México

Tel. (55) 58 99 62 42 • Fax. (55) 58 70 64 42

Centro de Atención al consumidor: 01 800 71 16 100

**RED DE CENTROS DE SERVICIO AUTORIZADA GRUPO HB PS, S.A. DE C.V.****Distrito Federal**

**ELECTRODOMÉSTICOS**  
Av. Plutarco Elias Cailles No. 1499  
Zacahuitzco MEXICO 09490 D.F.  
Tel: 01 55 5235 2323  
Fax: 01 55 5243 1397

**CASA GARCIA**  
Av. Patriotismo No. 875-B  
Mixcoac MEXICO 03910 D.F.  
Tel: 01 55 5563 8723  
Fax: 01 55 5615 1856

**Nuevo Leon**

**FERNANDO SEPULVEDA**  
**REFACCIONES**  
Ruperto Martínez No. 238 Ote.  
Centro MONTERREY, 64000 N.L.  
Tel: 01 81 8343 6700  
Fax: 01 81 8344 0486

**Jalisco**

**REF. ECONÓMICAS DE**  
**OCCIDENTE,**  
**S.A. DE C.V.**  
Garibaldi No. 1450  
Ladrón de Guevara  
GUADALAJARA 44660 Jal.  
Tel: 01 33 3825 3480  
Fax: 01 33 3826 1914

**Chihuahua**

**DISTRIBUIDORA TURMIX**  
Av. Paseo Triunfo de la Rep. No.  
5289 Local 2 A.  
Int. Hipermart  
Alamos de San Lorenzo  
CD. JUAREZ 32340 Chih.  
Tel: 01 656 617 8030  
Fax: 01 656 617 8030

## **! ADVERTENCIA**

### **Riesgo de incendio**

- No deje el tostador desatendido mientras está en funcionamiento.
- No lo use con alimentos que hayan sido untados con mantequilla, jalea, glaseado, etc.
- No lo use con galletas de cereal de arroz, alimentos fritos, alimentos preparados congelados o alimentos que no sean pan.
- No lo use con pasteles para tostador. Siempre cocine los pasteles para tostador en el asador de un horno eléctrico.
- No lo cubra ni lo use cerca de cortinas, paredes, gabinetes, productos de papel o de plástico, toallas de tela, etc.
- Se necesita una estrecha supervisión cuando los niños lo usen o sea usado cerca de ellos.
- Siempre desenchufe el tostador cuando no esté en uso.
- El no seguir estas instrucciones puede resultar en muerte o incendio.

### **Peligro de choque eléctrico**

- No sumerja este aparato en agua u otro líquido.
- Este aparato cuenta con un enchufe polarizado (una pata más ancha) que reduce el riesgo de choque eléctrico. El enchufe calza únicamente en una dirección dentro del tomacorriente polarizado. No trate de obviar el propósito de seguridad del enchufe al tratar de modificarlo de alguna manera o al usar un adaptador. Si el enchufe no calza, inviértalo. Si aún así no calza, llame a un electricista para que reemplace el tomacorriente.

## **SALVAGUARDIAS IMPORTANTES**

Cuando use aparatos eléctricos, es importante seguir todas las precauciones básicas de seguridad que incluyen lo siguiente:

1. Lea todas las instrucciones.
2. Verifique que el voltaje de su instalación corresponda con el del producto.
3. No deje el tostador desatendido mientras está en funcionamiento.
4. Se requiere una supervisión rigurosa cuando los niños utilicen aparatos o cuando éstos se estén utilizando cerca de ellos.
5. No intente retirar alimentos atascados cuando el tostador esté enchufado.
6. Para protegerse de descargas eléctricas, no sumerja el cable, enchufe o el tostador en agua u otro líquido.
7. Desenchúfelo cuando no esté en uso y antes de la limpieza. Deje enfriar el tostador antes de colocar o retirar piezas, o antes de transportarlo.
8. No opere el tostador con un cable o clavija dañados, o después que el tostador haya dejado de funcionar bien o se haya caído o dañado en alguna otra forma. Llame a nuestro número gratuito de servicio al cliente para obtener información sobre su inspección, reparación o ajuste.
9. No se deben insertar alimentos demasiado grandes, utensilios o paquetes envueltos en papel de aluminio, ya que estos artículos pueden producir un riesgo de incendio o de choque eléctrico.
10. No lo limpie con estropajos de metal. Se pueden separar pedazos del estropajo y tocar las partes eléctricas, causando un riesgo de descarga eléctrica.
11. Puede ocurrir un incendio si el tostador está cubierto o en contacto con material inflamable como cortinas, paredes, armarios por encima, productos de papel o de plástico, toallas de tela u objetos semejantes, cuando está en operación.
12. No haga funcionar el tostador en un espacio encerrado, como un armario para electrodomésticos, un carrito, un garage u otra área para almacenaje.
13. No cocine, caliente ni tueste galletas de cereal de arroz, alimentos fritos, alimentos que no sean pan o pasteles para tostador. Los pasteles para tostador deben calentarse en el asador de un horno eléctrico. No caliente ningún producto alimenticio que haya sido untado o bañado con margarina, mantequilla, jalea, glaseado, almíbar u otro producto para untar. Siga la guía de tostado.

14. El no limpiar la charola para migajas puede resultar en un riesgo de incendio.
15. No lo coloque cerca o sobre un quemador de gas o eléctrico u horno calientes.
16. No toque las superficies calientes. Use las asas o perillas.
17. El uso de accesorios no recomendados por Hamilton Beach/ Proctor-Silex, Inc. puede causar lesiones.
18. No deje colgar el cable sobre el borde de la mesa o mostrador, ni que toque superficies calientes, incluyendo la estufa.
19. Antes de desenchufar el tostador, asegúrese de que el elevador del pan esté hacia arriba.
20. No lo use al aire libre.
21. No use el tostador para otro uso que para el que ha sido diseñado.
22. Este producto es para uso doméstico solamente.

## GUARDE ESTAS INSTRUCCIONES

### Información adicional para la seguridad del consumidor

Para evitar una sobrecarga del circuito, no opere otro aparato electrodoméstico de alto consumo de corriente en el mismo circuito.

El largo del cable que se utiliza con este artefacto fue elegido para reducir el riesgo de enredarse o de tropezarse con él si fuese más largo. Si se necesita un cable eléctrico más largo, podrá usarse un cable

de extensión aprobado. La potencia eléctrica del cable de extensión deberá ser igual o mayor que la del tostador. Se debe tener cuidado al acomodar el cable de extensión de manera que no cuelgue por el borde de la mesa o mostrador y que los niños no puedan jalarlo o tropezarse accidentalmente.

### Guía de tostado

| ALIMENTO   | Ajuste de tostado                 | Ajuste optativo* |
|--|-----------------------------------|------------------|
| Pan común  | Medio ligero a Medio bien tostado | Pan tostado      |
| Panecillos ingleses  | Medio bien tostado                | Rosquilla        |
| Bagels (Rosquillas)  | Medio a bien tostado              | Rosquilla        |
| Pan o panecillos congelados  | Medio bien tostado                | Pan tostado      |
| Waffles o artículos de pastelería congelados   | Ligero                            | Pan tostado      |
| Pasteles para tostador (tales como Pop Tarts®)<br>No los caliente en el tostador – use el asador de un horno eléctrico. Si tiene que usar el tostador – SIEMPRE fíjelo en la marca más baja, NUNCA caliente artículos de pastelería que estén partidos, rotos o alabeados y NUNCA los deje desatendidos. |                                   |                  |

\*en modelos selectos

® Pop Tart es una marca registrada de Kellogg Co.

# *Información acerca de la asistencia y el servicio*

## **Antes de llamar para solicitar asistencia**

### **Por favor lea antes de llamar:**

- Es posible que el tostador se caliente durante el uso. Esto es normal.
- Es posible que el tostador emita olor, especialmente siendo nueva.

### **Si su tostador no funciona bien o no funciona, sírvase verificar lo siguiente:**

- ¿Está enchufada el tostador?
- ¿Está el fusible en el circuito al el tostador en el orden correcto?  
Si tiene una caja de cortacircuitos, asegúrese de que el circuito esté cerrado.
- Apague el tostador por 10 a 15 segundos y luego enciéndalo nuevamente.
- Si el problema no se debe a ninguno de los puntos mencionados arriba, vea la información acerca del Servicio al cliente.
- NO devuelva el tostador al comerciante, ya que éste no otorga servicio.

## **Información acerca del servicio al cliente**

Si usted tiene alguna pregunta acerca de su tostador, llame a nuestro número gratuito de servicio al cliente. Antes de llamar, anote por favor los números de modelo, tipo y serie y llene esa información debajo. Estos números se pueden encontrar en la parte inferior de su tostador. Esta información nos ayudará a contestar a su pregunta con mucha más rapidez.

**MODELO:** \_\_\_\_\_ **TIPO:** \_\_\_\_\_ **SERIE:** \_\_\_\_\_

### **NÚMERO DE SERVICIO AL CLIENTE**

México : 01-800-71-16-100

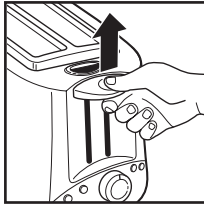
**hamiltonbeach.com.mx**

**¡GUARDE ESTE NÚMERO PARA REFERENCIA FUTURA!**

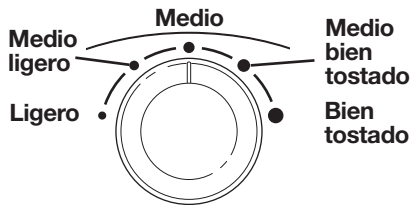
## Piezas y características

### 1. Ranuras para los alimentos con guías

2. **Elevador del pan** – Empuje hacia abajo el elevador del pan para encender el tostador. El elevador del pan puede ser levantado para detener el tostado durante un ciclo.



3. **Control de tostado** – El control de tostado varía desde ligeramente tostado hasta bien tostado. Ajuste a la marca deseada antes del uso.



### 4. Botones de programación

#### ① ON•Cancel

**(Encendido•Cancelar)**– Esta luz se encenderá cuando se encienda el tostador. Para cancelar o terminar un ciclo, presione el botón On/Cancel. El ciclo se detendrá y la luz se apagará.

**Bagel (Rosquilla)** – Use para tostar solamente un lado de rosquilla cortada. Cargue el tostador con el lado cortado de la rosquilla mirando hacia fuera, ya que el elemento calentador del centro se apaga durante este ciclo. Para usar: presione el botón de Bagel después de que haya comenzado el ciclo de tostado.

**Defrost (Descongelar)** – Úselo solamente con alimentos congelados que hayan sido hechos para ponerse en un tostador. Esta característica agrega un tiempo adicional para que el alimento se descongele y se caliente por completo. Para usar: presione el botón de Defrost después de que haya comenzado el ciclo de tostado.

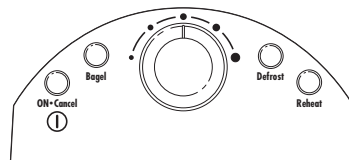
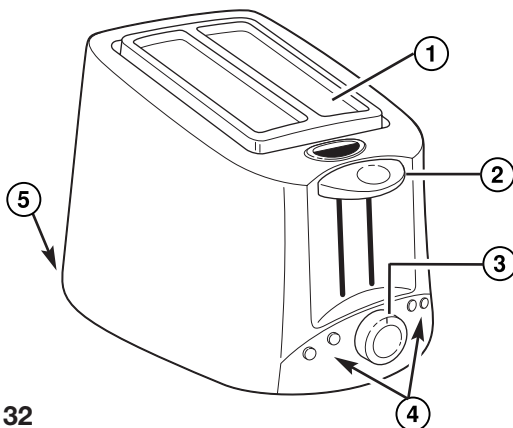
**Reheat (Recalentar)** – Úselo para calentar alimentos que se hayan enfriado. Esta función hace comenzar un segundo ciclo de tostado corto, de 30 a 50 segundos. El ajuste del control de tostado no afecta el tiempo de recalentamiento. Para usar: presione el botón de Reheat después de que haya comenzado el ciclo de tostado.

**Es fácil combinar los programas. Por ejemplo, para tostar una rosquilla congelada:**

- Cargue la rosquilla en el tostador con los lados cortados mirando hacia fuera.
- Elija el ajuste deseado del control de tostado.
- Empuje hacia abajo el elevador del pan para comenzar el ciclo de tostado.
- Presione el botón de Bagel y luego el de Defrost.

### 5. Charola deslizable para migajas

(ubicada en la parte posterior del tostador – vea la página 34 para más información).



Botones de programación y control de tostado

## Cómo tostar

1. Enchufe el tostador en un tomacorriente.
2. Coloque el pan o rosquilla en las ranuras. Si va a tostar rosquillas o panecillos ingleses, colóquelos en las ranuras con los lados cortados mirando hacia la pared exterior del tostador. Seleccione el grado de tostado y empuje el elevador del pan hacia abajo.
3. Al final del ciclo de tostado, el pan saltará automáticamente.  
**NOTA: El elevador del pan no quedará enganchado hacia abajo a menos que el tostador esté enchufado.**
4. Para detener antes el ciclo de tostado, levante el elevador del pan o presione el botón de cancelación.

## Sugerencias y diagnóstico de problemas

- El tostado es afectado por la **temperatura del pan**. El pan a temperatura ambiente puede tostarse a un grado intermedio en la marca de Medio. El mismo tipo de pan que ha estado refrigerado puede requerir el ajuste Medio bien tostado, y si está congelado, en Bien tostado.
- El contenido de humedad también afectará el tostado. Las **rosquillas** frescas hechas localmente tendrán un contenido de humedad mayor que las compradas en la sección de panadería del supermercado. El ajuste para rosquillas extiende el tiempo de tostado para permitir que la mayoría de las rosquillas se tuesten en un ciclo. Las rosquillas frescas hechas localmente pueden requerir dos ciclos de tostado.
- Debido a su superficie irregular, los **panecillos ingleses** pueden requerir más de un ciclo de tostado. Después de tostarlos un ciclo en la marca de Medio Bien tostado, si se desea que estén más dorados, ajuste el control de tostado al ajuste Ligero o Medio ligero y ponga a tostar por un segundo ciclo. Observe de cerca para evitar que se doren de más. Los panecillos ingleses cortados con un cuchillo se llegan a tostar con más uniformidad que los partidos con un tenedor.
- Para sacar los alimentos que se atascan en las ranuras para los alimentos, desconecte el tostador del tomacorriente y deje que se enfríe. Dé vuelta el tostador al revés y agítelo. No use un tenedor ni otro utensilio que pueda dañar el elemento calentador o resultar en un riesgo de incendio o choque eléctrico.
- Al tostar sólo una rebanada se podrían notar diferencias en el color del pan de un lado al otro.
- Bien tostado es el color más oscuro de tostado. Si necesita un tostado más oscuro, vuelva a fijar en Medio, mire de cerca y ponga a tostar por un segundo ciclo.

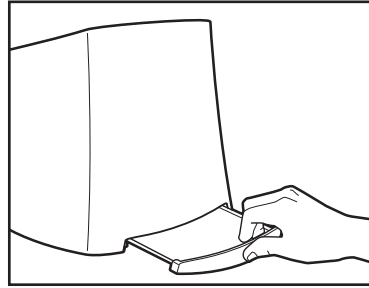
### Elementos calentadores ocultos resistentes a choque eléctrico

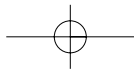
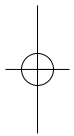
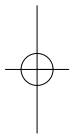
Una placa de mica protege y oculta los elementos calentadores dentro de cada ranura, reduciendo el riesgo de choque eléctrico como consecuencia del contacto accidental con un utensilio de metal. Por lo tanto, los elementos calentadores no son visibles y no se pondrán rojos.

## *Limpieza de su tostador*

**NOTA:** Si el tostador se usa todos los días, la charola para migajas se debe limpiar semanalmente.

1. Desenchufe el tostador y déjelo enfriar.
2. Deslice la charola para migajas, elimine las migajas y límpiela con un paño limpio. Vuelva a colocar la charola en su lugar.
3. Limpie el exterior del tostador con un paño húmedo. No use productos abrasivos de limpieza que puedan rayar la superficie del tostador.





| <b>Modelos:</b> | <b>Tipo:</b> | <b>Características Eléctricas:</b> |       |        |
|-----------------|--------------|------------------------------------|-------|--------|
| 22110           | T52          | 120 V~                             | 60 Hz | 1000 W |
| 22111           | T52          | 120 V~                             | 60 Hz | 1000 W |
| 22112           | T52          | 120 V~                             | 60 Hz | 1000 W |
| 22113           | T52          | 120 V~                             | 60 Hz | 1000 W |
| 22114           | T52          | 120 V~                             | 60 Hz | 1000 W |
| 22115           | T52          | 120 V~                             | 60 Hz | 1000 W |
| 22116           | T52          | 120 V~                             | 60 Hz | 1000 W |
| 22117           | T52          | 120 V~                             | 60 Hz | 1000 W |
| 22118           | T52          | 120 V~                             | 60 Hz | 1000 W |
| 22119           | T52          | 120 V~                             | 60 Hz | 1000 W |

Los números de modelo también pueden estar seguidos del sufijo "MX".

HAMILTON BEACH PROCTOR-SILEX, INC.

263 Yadkin Road  
Southern Pines, North Carolina 28387

840141600

hamiltonbeach.com  
hamiltonbeach.com.mx

PROCTOR-SILEX CANADA, INC.

Picton, Ontario K0K 2T0

3/06