

This Owner's Manual is provided and hosted by [Appliance Factory Parts](#).



# LG 79009 Owner's Manual

[Shop genuine replacement parts for LG 79009](#)



\* The color vary in each model

[Find Your LG Refrigerator Parts - Select From 834 Models](#)

----- Manual continues below -----



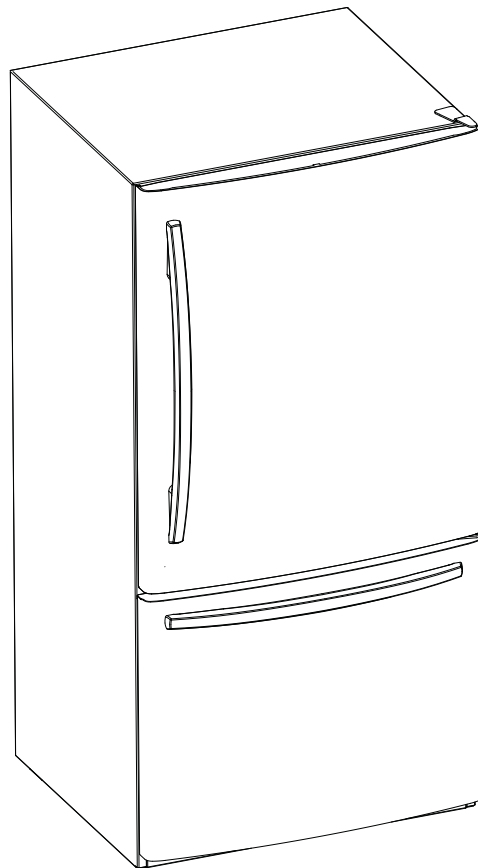
**BOTTOM FREEZER REFRIGERATOR**

# **REFRIGERATOR SERVICE MANUAL**

**CAUTION**

**BEFORE SERVICING THE PRODUCT**

**READ THE SAFETY PRECAUTIONS IN THIS MANUAL.**



**MODELS:**

**795.6900\***

**795.7900\***

**795.7809\***

\* color number

# CONTENTS

---

<b>SAFETY PRECAUTIONS</b> .....	3
<b>1. SPECIFICATIONS</b> .....	4
<b>2. PARTS IDENTIFICATION</b> .....	6
2-1 Freezer Drawer Model.....	6
2-2 Freezer Swing Model.....	7
<b>3. DISASSEMBLY</b> .....	8
3-1 Fan and Fan Motor.....	8
3-2 Defrost Control Assembly.....	8
3-3 Lamp.....	8
3-4 Control Box Refrigerator.....	9
3-5 Multiduct.....	9
3-6 Cover Valve.....	10
3-7 Door Disassembly for Drawer Type Models.....	11
3-7-1 Remove Drawer Refrigerator Door.....	11
3-7-2 Replace Drawer Refrigerator Door.....	11
3-7-3 Reverse Drawer Refrigerator Door.....	12
3-7-4 Pull out Drawer.....	14
3-7-5 How to Reverse Drawer Door Handle.....	16
3-8 Door Disassembly for Swing Type Models.....	17
3-8-1 Remove Swing Refrigerator and Freezer Doors.....	17
3-8-2 Remplace Swing Refrigerator and Freezer Doors.....	18
3-8-3 Reverse Swing Refrigerator and Freezer Doors.....	19
3-8-4 How to Reverse Swing Door Handle.....	23
3-9 After completing the job.....	24
3-10 Leveling and door closing.....	24
3-11 Door alignment.....	24
<b>4. ADJUSTMENT</b> .....	25
4-1 Compressor .....	25
4-2 PTC-Starter .....	25
4-3 OLP (overload protector) .....	26
<b>5. CIRCUIT DIAGRAM</b> .....	27
5-1 For Drawer Type Models.....	27
5-2 For Swing Type Models.....	28
<b>6. TROUBLESHOOTING</b> .....	29
6-1 Compressor and electric components .....	29
6-2 PTC and OLP .....	30
6-3 Other electrical components .....	31
6-4 Service diagnosis chart .....	32
6-5 Refrigeration cycle .....	33

---

<b>7. OPERATION PRINCIPLE AND REPAIR METHOD OF ICEMAKER .....</b>	<b>35</b>
7.1 Operation principle .....	35
7.2 Ice maker functions .....	36
7-3 Defect Diagnosis Function.....	38
<b>8. CIRCUIT OF MICOM (DRAWER TYPE MODELS).....</b>	<b>39</b>
8.1 Function .....	39
8.2 PCB function .....	43
8.3 Resistance specification of sensor .....	46
<b>9. CIRCUIT OF MICOM (SWING TYPE MODELS).....</b>	<b>47</b>
9.1 Function .....	47
9.2 PCB function .....	51
9.3 Resistance specification of sensor .....	54
<b>10. EXPLODED VIEW AND REPLACEMENT PART LIST.....</b>	<b>55</b>

---

## SAFETY PRECAUTIONS

---

Please read the following instructions before servicing your refrigerator.

- |   |   |
|---|---|
| 1. Check the refrigerator for current leakage.  | 7. Before tilting the refrigerator, remove all materials from on or in the refrigerator.  |
| 2. To prevent electric shock, unplug before servicing.                                  | 8. When servicing the evaporator, wear gloves to prevent injuries from the sharp evaporator fins.   |
| 3. Always check line voltage and amperage.  | 9. Service on the refrigerator should be performed by a qualified technician. Sealed system repair must be performed by a CFC certified technician. |
| 4. Use standard electrical components.  |   |
| 5. Don't touch metal products in the freezer with wet hands. This may cause frost bite. |   |
| 6. Prevent water from spilling on to electric elements or the machine parts.            |   |

# 1. SPECIFICATIONS

---

## 1-1. DISCONNECT POWER CORD BEFORE SERVICING

**IMPORTANT:** Reconnect all grounding devices.

All parts of this appliance capable of conducting electrical current are grounded. If grounding wires, screws, straps, clips, nuts or washers used to complete a path to ground are removed for service, they must be returned to their original position and properly fastened.

## 1-2. IMPORTANT NOTICE

This information is intended for use by individuals possessing adequate background of electrical, electronic and mechanical experience.

Any attempt to repair a major appliance may result in personal injury and property damage. The manufacturer or seller cannot be responsible for the interpretation of this information, nor can it assume any liability in connection with its use.

## 1-3. ELECTRICAL SPECIFICATIONS

Freezer temperature control (Middle setting).....	-6°F to +8°F
Defrost Control .....	Automatic
Defrost Thermostat .....	46.4°F
Electrical Rating : 115VAC, 60Hz.....	1-5 A
Maximum Current Leakage .....	0.5mA
Maximum Ground Path Resistance .....	0.14 Ohms
Energy Consumption.....	454kWh/yr (Energy Star)

## 1-4. NO LOAD PERFORMANCE

Control Position: MID/MID

And Ambient of:	70°F	90°F	
Fresh Food, °F.....	33°F to 41°F	Fresh Food, °F.....33°F to 41°F	
Frozen Food, °F.....	-4°F to +4°F	Frozen Food, °F.....-4°F to +4°F	
Percent Running Time .....	25% - 35%	Percent Running Time .....	45% - 60%

## 1-5. REFRIGERATION SYSTEM

Minimum Compressor Capacity Vacuum.....	21 in
Minimum Equalized Pressure	
@70°F.....	49 PSIG
@90°F.....	56 PSIG
Refrigerant R134a.....	4.2 oz
Compressor.....	740 BTU/hr

## 1-6. INSTALLATION

Clearance must be provided at top, sides and rear of the refrigerator for air circulation.

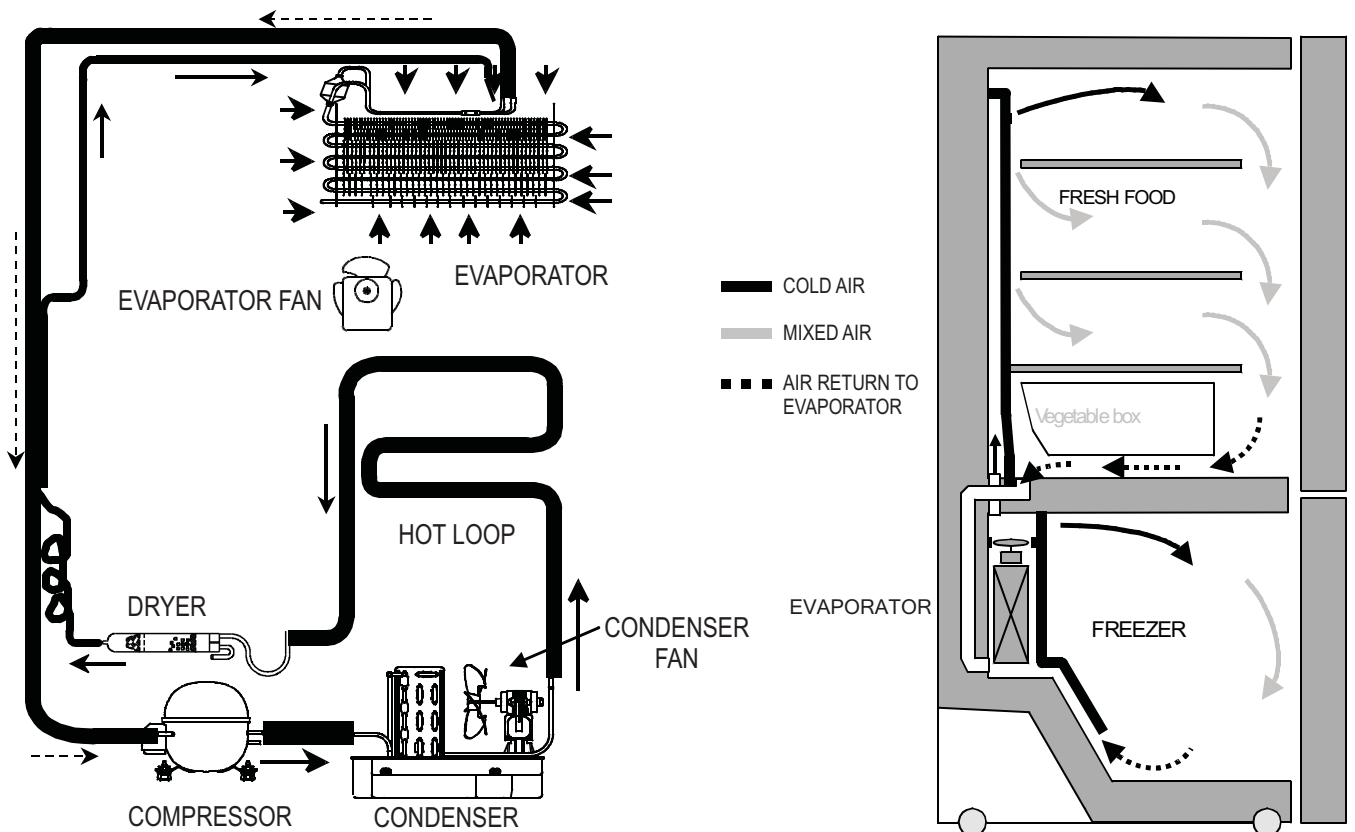
At Top.....	2 in
At Sides.....	2 in
At Rear.....	2 in

### 1-7. REPLACEMENT PARTS

Relay.....	EBG32606502
Overload.....	6750C-0005P
Defrost Thermostat.....	6930JK2001B
Defrost Heater.....	5300JB1100D
Evaporator Fan Motor.....	4681JB1027N
Capacitor.....	0CZZJB2012J
Compressor (Hi-Side).....	TCA32196201
Evaporator (Lo-Side).....	5421JJ1001A
Condenser.....	5403JJ1008A
Dryer.....	5851JA2007E
Condenser Fan Motor.....	4681JB1027P
Temperature Control.....	6500JB1001M
Main Control (For Drawer Type Models).....	EBR41531304
Main Control (For Swing Type Models).....	EBR41531310

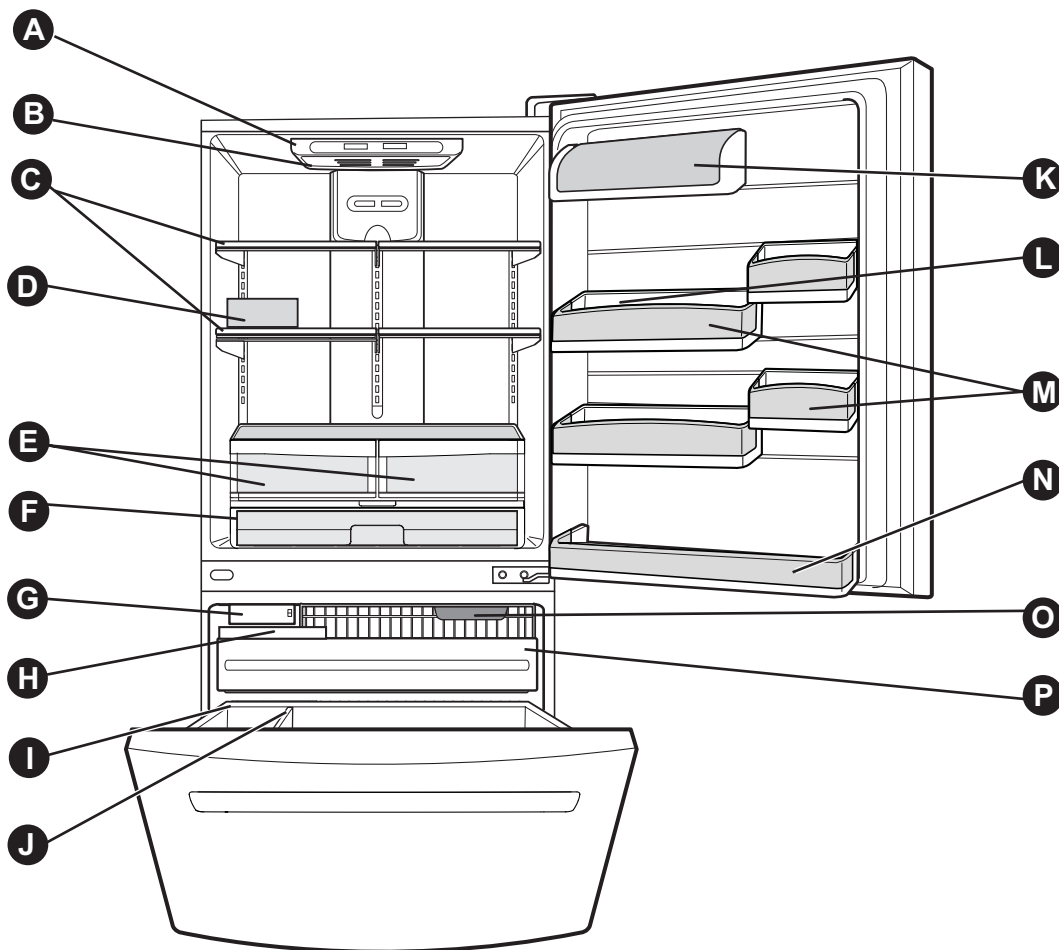
PERFORMANCE DATA (NORMAL OPERATING CONDITIONS)			
AMB	WATTS	SYSTEM PRESSURE (PSIG)	
		HIGH SIDE	LOW SIDE
70°F	98 (+10 / -10)	97 (+5 / -3)	(-5) to (-2)
90°F	98 (+10 / -10)	130 (+3 / -3)	(-4) to 1
110°F	103 (+5 / -5)	174 (+5 / -5)	(-2) to 3

### 1-8. AIR FLOW



# 2. PARTS IDENTIFICATION

## 2-1 FREEZER DRAWER MODEL



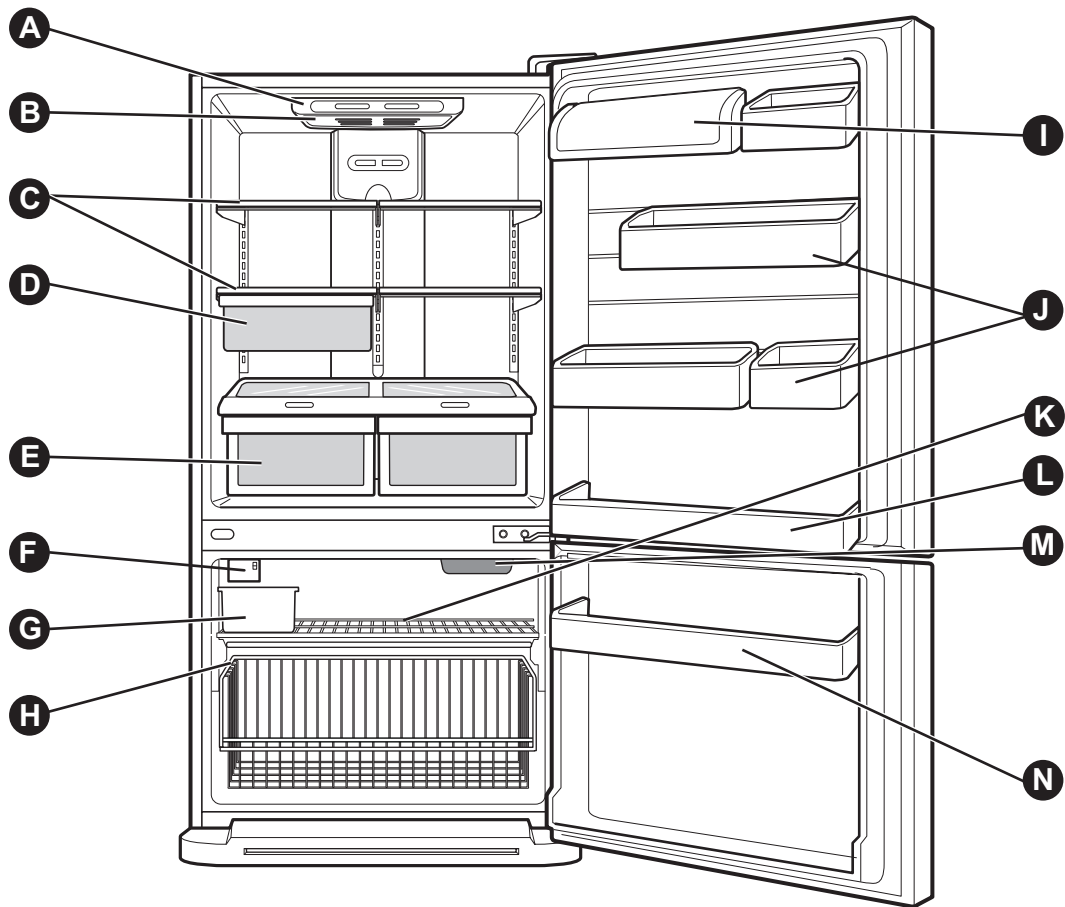
Use this section to become more familiar with the parts and features.

**NOTE: This guide covers several different models. The refrigerator you have purchased may have some or all of the items listed below. The locations of the features shown below may not match your model.**

- A** Digital Sensor Control
- B** Refrigerator Light
- C** Shelves
- D** Egg Box
- E** Optibin Crispers  
Keeps fruits and vegetable fresh and crisp
- F** Pantry
- G** Icemaker\*
- H** Ice Bin
- I** Durabase
- J** Divider
- K** Dairy Bin
- L** Bottle Guide
- M** Door Bins
- N** Refrigerator Door Rack
- O** Freezer Light
- P** Pull out Drawer

\*on some models

## 2-2 FREEZER SWING MODEL



Use this section to become more familiar with the parts and features.

**NOTE: This guide covers several different models. The refrigerator you have purchased may have some or all of the items listed below. The locations of the features shown below may not match your model.**

- |  |                                 |
|--|---------------------------------|
| <b>A</b> Digital Sensor Control  | <b>I</b> Dairy Bin              |
| <b>B</b> Refrigerator Light  | <b>J</b> Door Bins              |
| <b>C</b> Shelves   | <b>K</b> Wire Freezer Shelf     |
| <b>D</b> Snack Pan   | <b>L</b> Refrigerator Door Rack |
| <b>E</b> Optibin Crisper<br>Keeps fruits and vegetable fresh and crisp | <b>M</b> Freezer Light          |
| <b>F</b> Icemaker  | <b>N</b> Freezer Door Rack      |
| <b>G</b> Ice Bin   |                                 |
| <b>H</b> Wire Durabase   |                                 |

# 3. DISASSEMBLY

## 3-1 FAN AND FAN MOTOR

1. Remove the freezer shelf. (If your refrigerator has an icemaker, remove the icemaker first).
2. Remove the plastic guide for slides on left side by unscrewing phillips head screws.
3. Remove the grille by removing one screw and pulling the grille forward.
4. Remove the Fan Motor assembly by loosening 2 screw and disassemble the shroud.
5. Pull out the fan and separate the Fan Motor and Bracket.

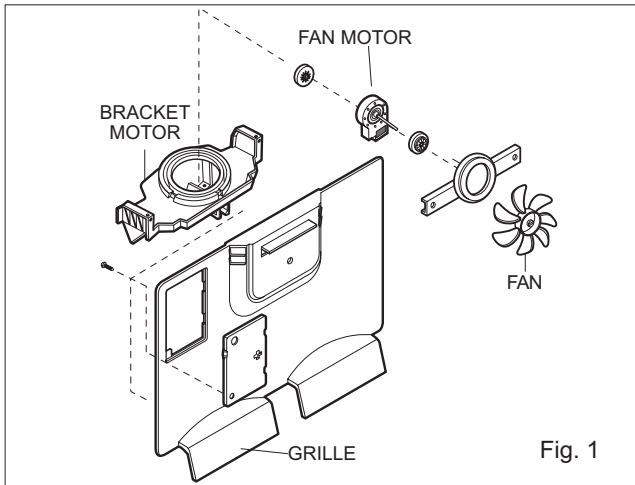


Fig. 1

## 3-2 DEFROST CONTROL ASSEMBLY

Defrost Control assembly consist of Drefrost Sensor and FUSE-M.

The Defrost Sensor works to defrost automatically. It is attached to the metal side of the Evaporator and senses its temperature.

Fuse-M is safety device for preventing over-heating of the Heater when defrosting.

At 72°C, it turns the Defrost Heater off.

1. Pull out the grille assembly. (Figure 2)
2. Separate the connector with the Defrost Control assembly and replace the Defrost Control assembly after cutting the Tie Wrap. (Figure 3)

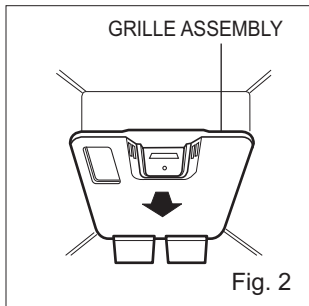


Fig. 2

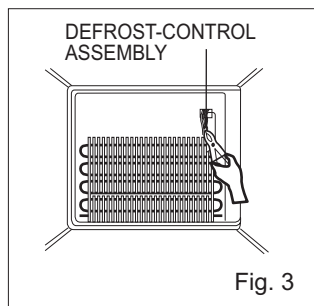


Fig. 3

## 3-3 LAMP

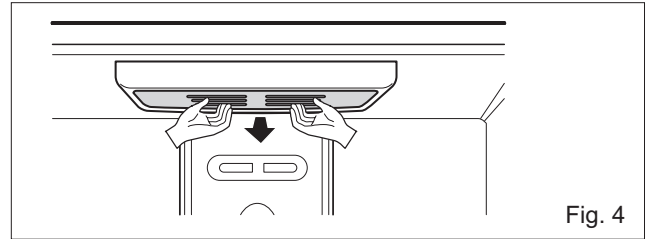


Fig. 4

### 3-3-1 REFRIGERATOR COMPARTMENT LAMP

1. Unplug the power cord from the outlet.
2. Remove Refrigerator shelves.
3. Release the hooks on both ends of the lamp shield and pull the shield downward to remove it.
4. Turn the lamp counterclockwise.
5. Assemble in reverse order of disassembly.
6. Replacement bulb must be the same specification as the original (Max. 60 W-2EA).

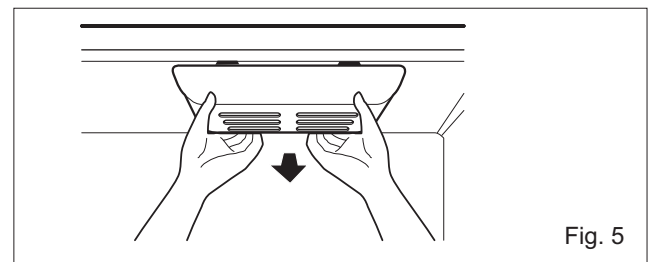


Fig. 5

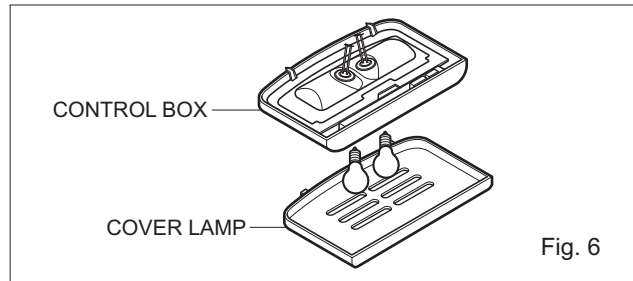
### 3-3-2 FREEZER COMPARTMENT LAMP

1. Unplug refrigerator or disconnect power.
2. Reach behind light to remove bulb.
3. Replace bulb with a 60W appliance bulb.
4. Plug in refrigerator or reconnect power.

---

### 3-4 CONTROL BOX-REFRIGERATOR

1. First, remove all shelves in the refrigerator, than remove the Refrigerator control Box by loosening 2 screws.

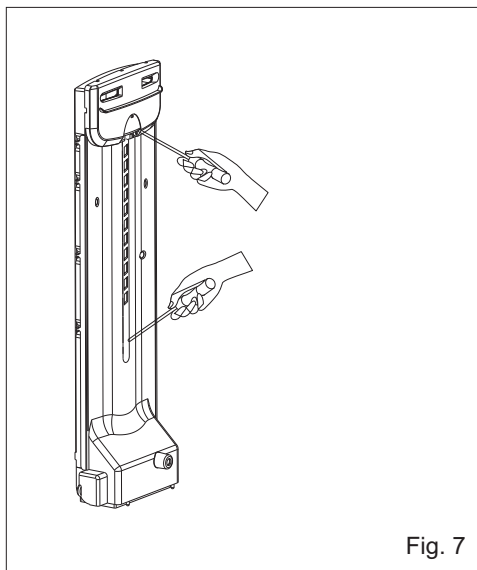


2. Remove the Refrigerator Control Box by pulling it downward.
3. Disconnect the lead wire on the right position and separate the lamp sockets.

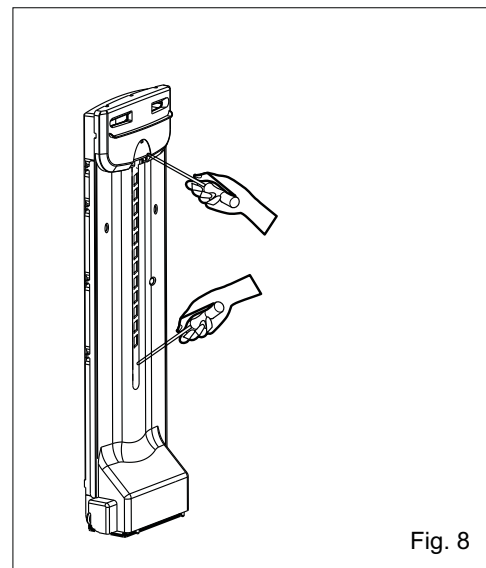
### 3-5 MULTI DUCT

1. Remove an upper and lower Cap by using a flat screwdriver, and loosen 2 screws. (Figure 7,8)
2. Disconnect the lead wire on the botton position.

#### For Drawer Type Models



#### For Swing Type Models



### 3-6 COVER VALVE

#### 3-6-1 DISASSEMBLE

1. Push to inside the cover valve.

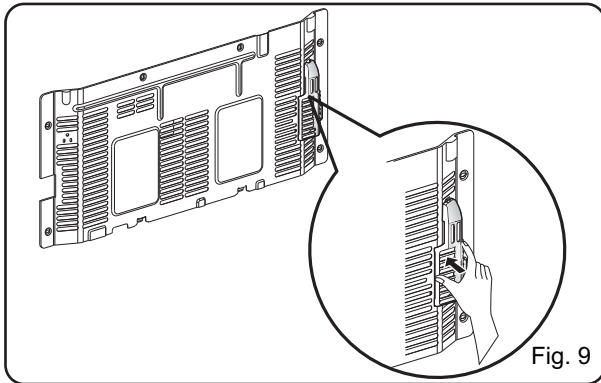


Fig. 9

2. Push to the right and release.

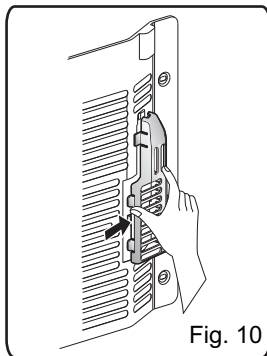


Fig. 10

3. Release hook **a** & **b**

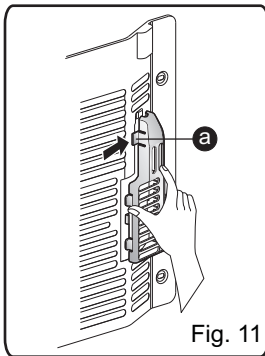


Fig. 11

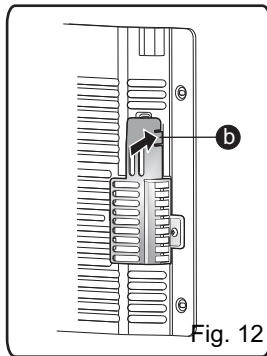


Fig. 12

4. Turn the cover valve 120° as shown in the picture, then release it.

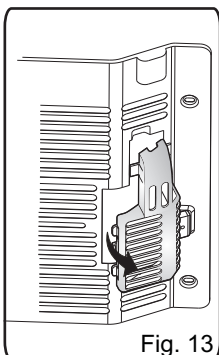


Fig. 13

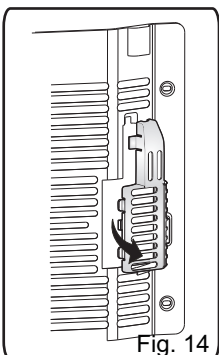


Fig. 14

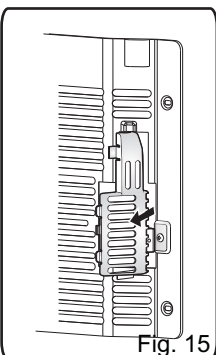


Fig. 15

#### 3-6-2 ASSEMBLE

1. Insert the cover valve as shown in the picture, push to insert (may need force).

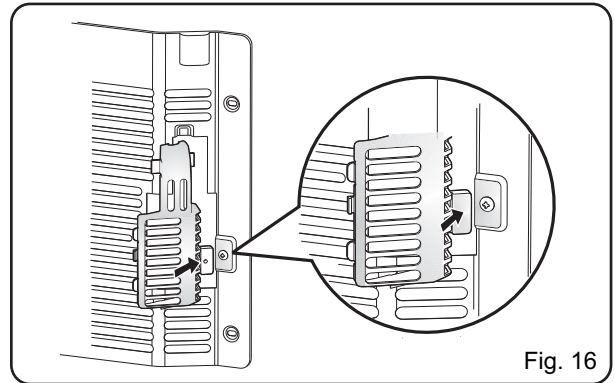


Fig. 16

2. Insert hook **a** & **b**

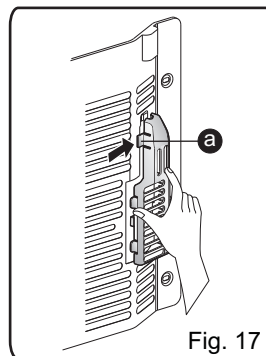


Fig. 17

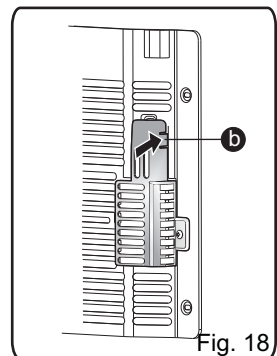


Fig. 18

3. Push to the right to insert the cover valve.

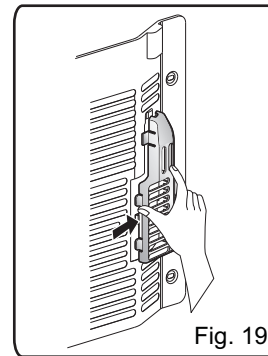


Fig. 19

4. Then push to inside to assembly.

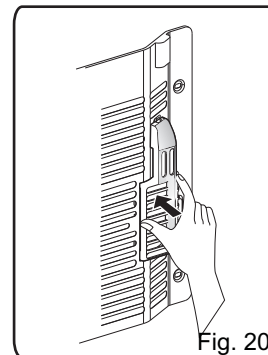
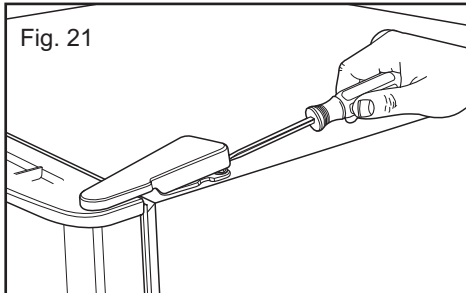


Fig. 20

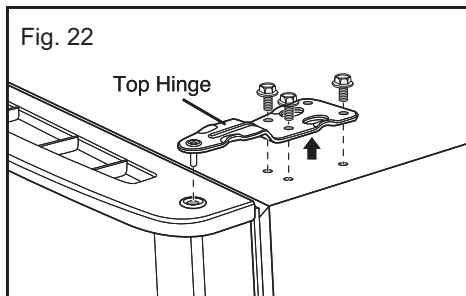
## 3-7 DOOR DISASSEMBLY FOR DRAWER TYPE MODELS

### 3-7-1 REMOVE DRAWER REFRIGERATOR DOOR

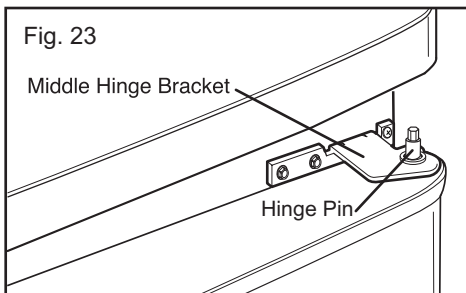
- Gently pry off Top Hinge Cover with a flat head screwdriver and remove.



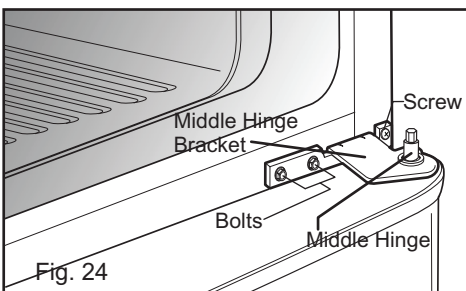
- Using 10mm or 13/32-inch socket wrench, remove the 3 bolts and lift off the Top Hinge. Set parts aside.



- Lift up door slightly and remove it. Place door on a non scratching surface.

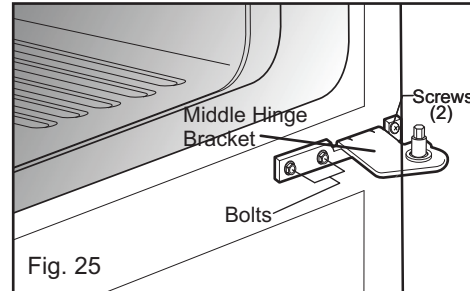


- Remove washer and set aside.
- Use a 10mm or 13/32 inch socket wrench to remove the 2 bolts in Middle Hinge Bracket. Remove screws. Set Middle Hinge Bracket and other parts aside.

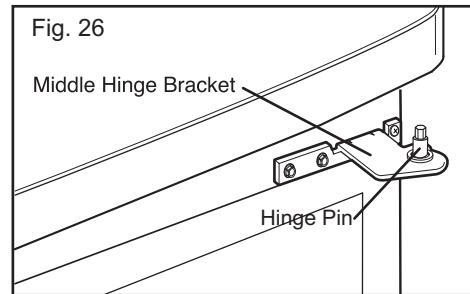


### 3-7-2 REPLACE DRAWER REFRIGERATOR DOOR

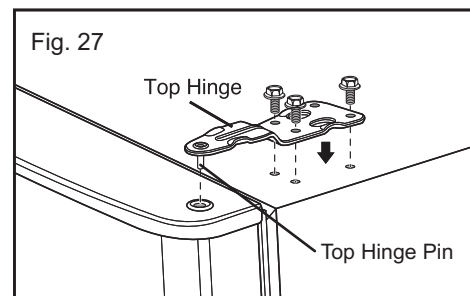
- Reattach Middle Hinge Bracket with the previously removed 2 bolts and 2 screws.



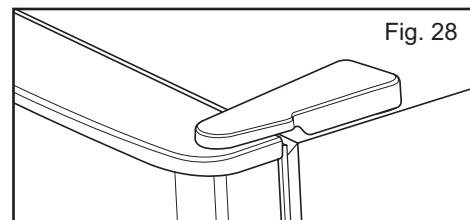
- Put refrigerator door down over the Hinge Pin on the Middle Hinge Pin Bracket.



- Line up Top Hinge with holes in top of refrigerator. Use the 3 bolts to replace the Hinge.

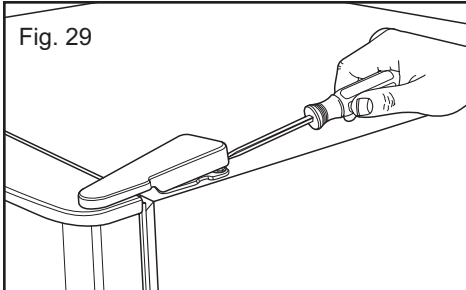


- Tighten Bolts. Force-fit Top Hinge Cover over top Hinge.

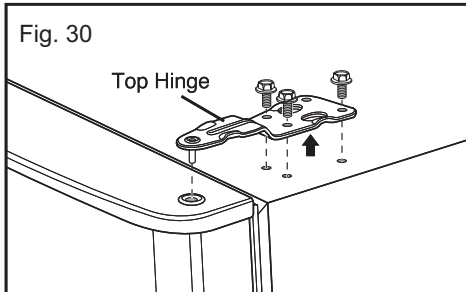


### 3-7-3 REVERSE DRAWER REFRIGERATOR DOOR

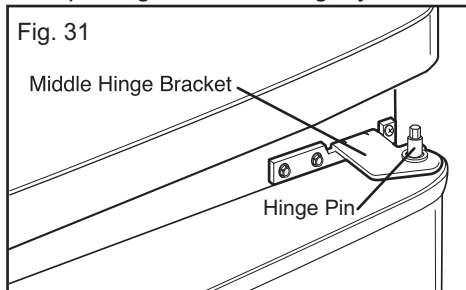
- Gently pry off Top Hinge Cover with a flat head screwdriver and remove.



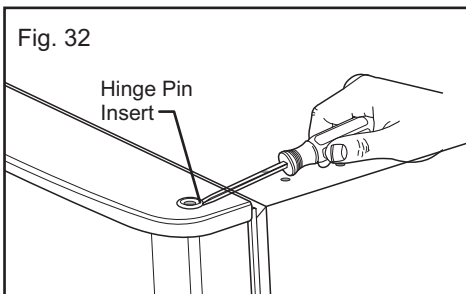
- Using 10mm or 13/32-inch socket wrench, remove the 3 bolts and lift off the Top Hinge. Set parts aside.



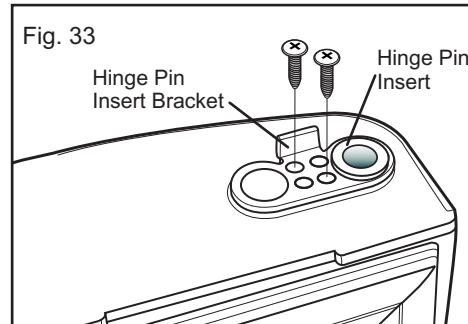
- Lift up refrigerator door slightly and remove it.



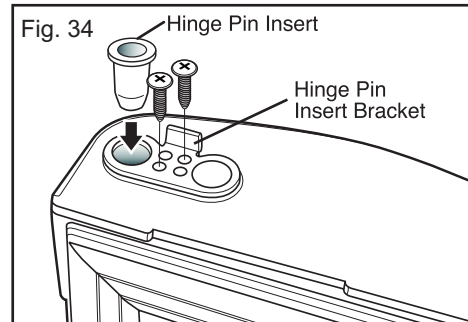
- Remove Hinge Pin Insert on the right side of the door and reinstall on left side.



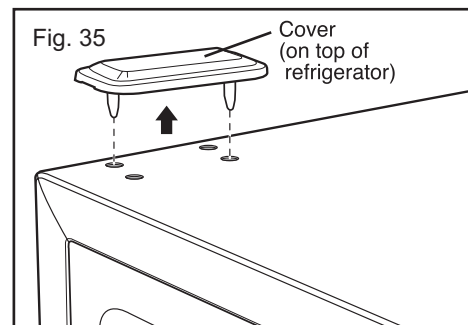
- Turn refrigerator door upside down on a non-scratch surface.
- Loosen the 2 screws to remove the Bottom Hinge Pin Insert Bracket with Hinge Pin Insert.



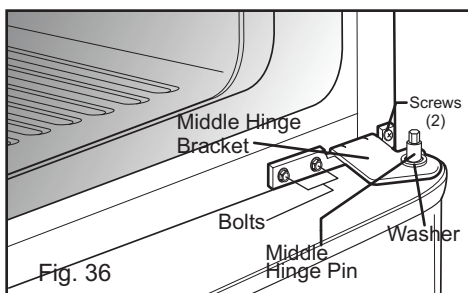
- Remove screw on the opposite side of the door. This screw is no longer necessary and can be discarded.
- Move the Hinge Pin Insert Bracket to the other side of the door, keeping the same orientation, and push the Hinge Pin Insert into the hole on the left side of the bracket. Insert the 2 screws as shown below.



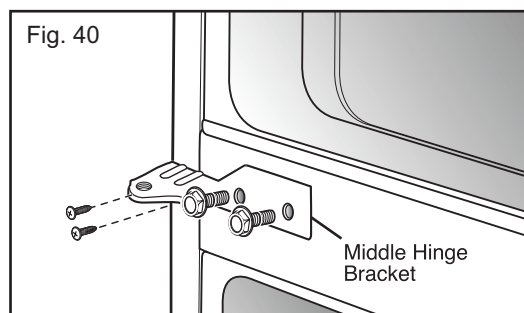
- Pry off cover on top of refrigerator on left side to uncover screw holes and place it on the right side.



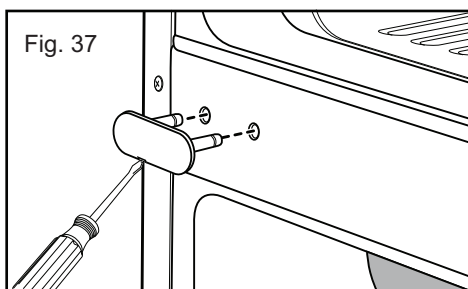
- Remove Washer and set aside.
- Using a 1/4 socket wrench, loosen and remove Hinge Pin from the Middle Hinge Bracket.



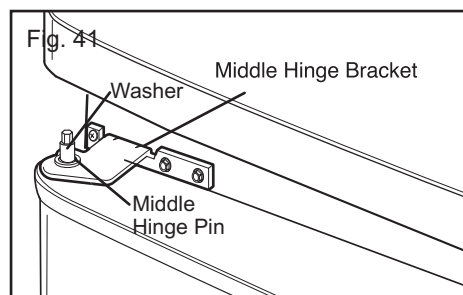
- Flip the middle hinge bracket and position on left side of refrigerator and re-attach with two bolts and a 2 phillips screws.



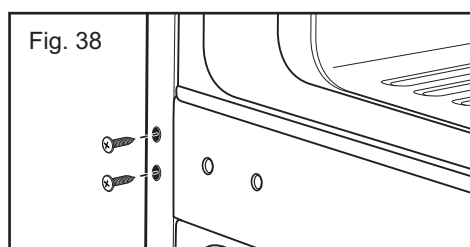
- Use a 10mm or 13/32 inch socket wrench to remove the 2 bolts in Middle Hinge Bracket. Remove 2 screws. Set Middle Hinge Bracket and other parts aside.
- With a flat-head screwdriver, carefully pry off and remove the cover over the screw holes on the left side of refrigerator housing.



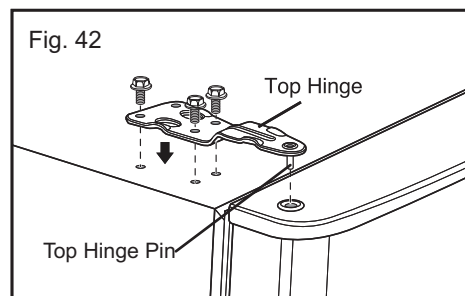
- Attach Middle Hinge Pin and replace washer.
- Put refrigerator door down over the Hinge Pin on the Middle Hinge Pin Bracket.



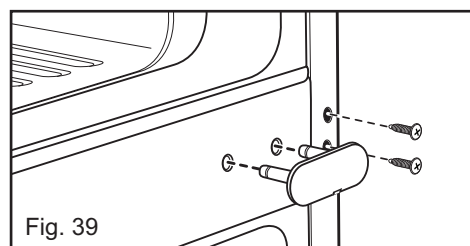
- Remove the 2 outer screws from cabinet frame as shown. You will need these holes for the Middle Hinge Bracket.



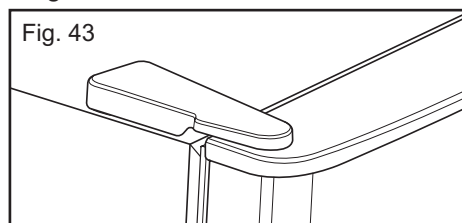
- Line up Top Hinge with holes in top of refrigerator. Use the 3 bolts to replace the Hinge.



- Place screws into outer holes on right side of cabinet. Attach cover on the right side. Cover is force-fitted.



- Tighten Bolts. Force-fit Top Hinge Cover over top Hinge.

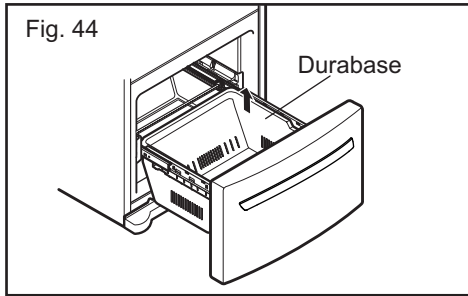


### 3-7-4 PULL OUT DRAWER

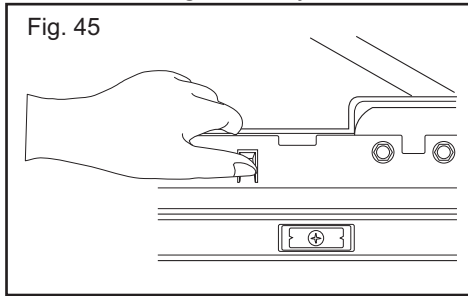
#### (b) HOW TO REMOVE PULL OUT DRAWER

**IMPORTANT:** To avoid possible injury, product or property damage, you will need two people to perform the following instructions.

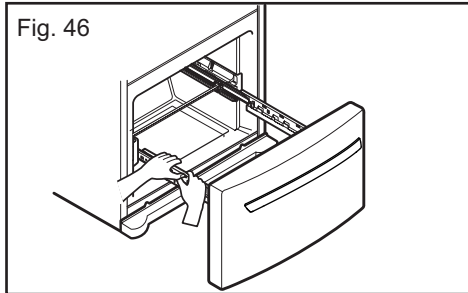
- Pull the drawer open to full lower extension. Remove durabase by lifting it from rail system.



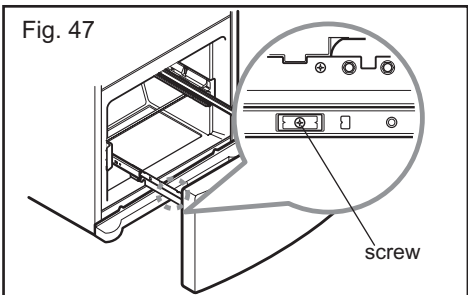
- Press both hangers with your thumbs to lift it up.



- Separate the left and right rail cover



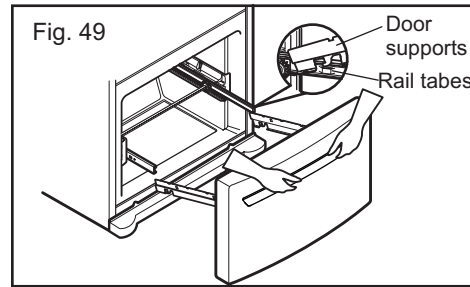
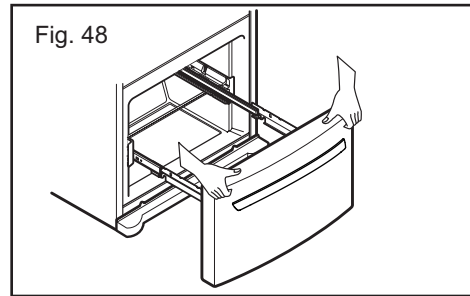
- Remove the screws of the rail on both sides.



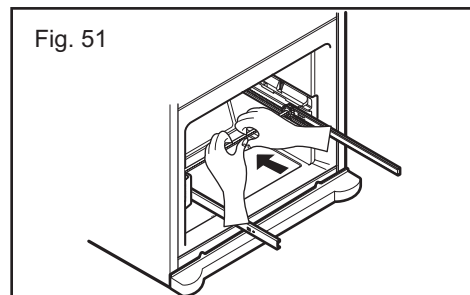
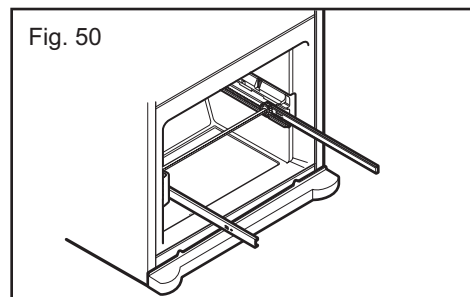
**CAUTION:** When removing drawer door, do not hold it by the handle. Door could fall down and you may be injured grasp door with both hands as pictured below When removing.

**CAUTION:** When laying down the drawer, be careful not to damage the floor or hurt your feet with the sharp edges on hinge side.

- With both hands, hold both sides of the door and pull it up to separate it from the rails.



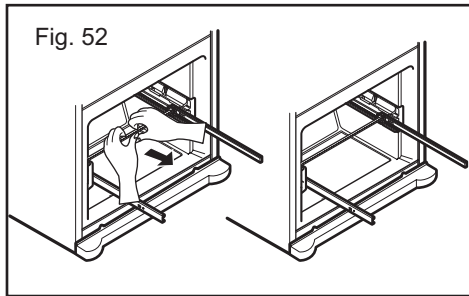
- Push rails back into drawer cavity. With both hands, hold the center of the bar and push it in so that both rails go back simultaneously.



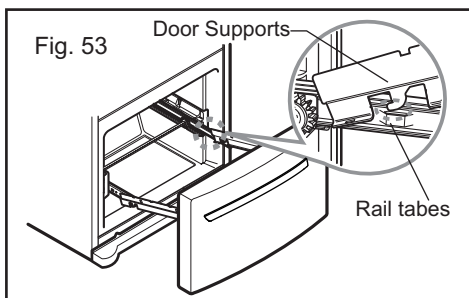
## (a) HOW TO INSTALL PULL OUT DRAWER

**IMPORTANT:** To avoid possible injury, product or property damage, you will need two people to perform the following instructions.

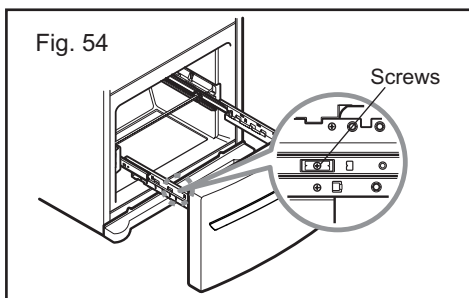
- With both hands, hold the center of the bar and pull it out to let both rails out to full extension simultaneously.



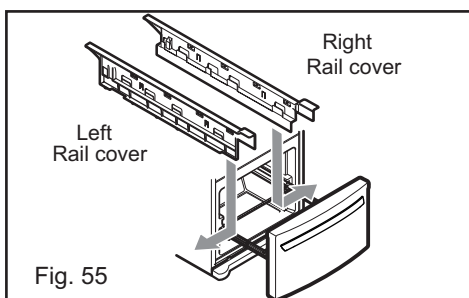
- Hook door supports into rail tabs.



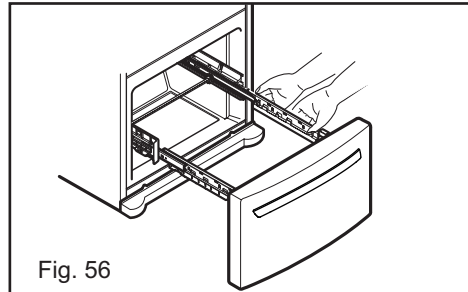
- Lower door into final position and tighten the screws.



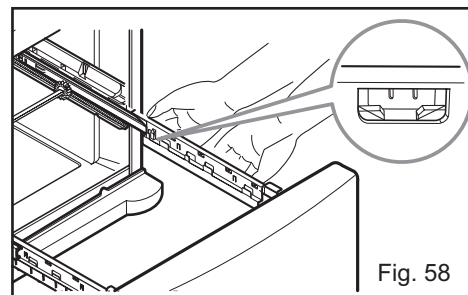
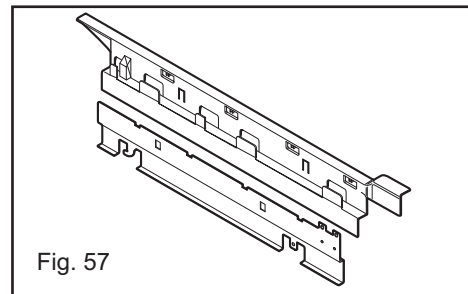
- Make sure you have a right rail cover for each side.



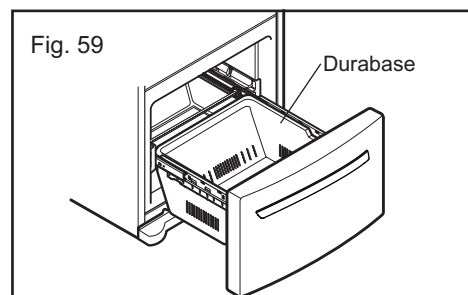
- Align the top holes of the rail cover with the top holes of the door supports to assemble the rail cover.



- Verify the hole's assembly



- With the rails pulled out to full extension, insert the durabase in the rail assembly.



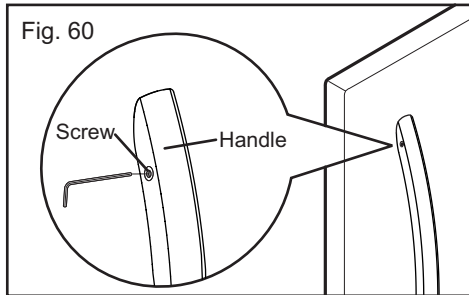
**⚠ WARNING:** To prevent accidental child and pet entrapment or suffocation risk. DO NOT allow them to play inside of drawer.

**⚠ WARNING:** DO NOT step or sit down on Freezer Door.

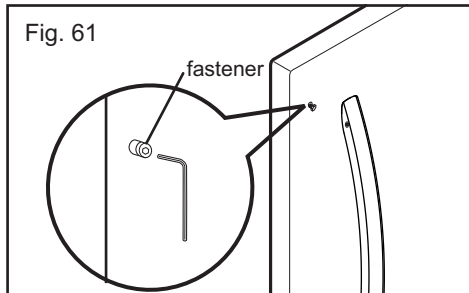
### 3-7-5 HOW TO REVERSE DRAWER DOOR HANDLE

**NOTE:** Handle appearance may vary from illustrations on this page.

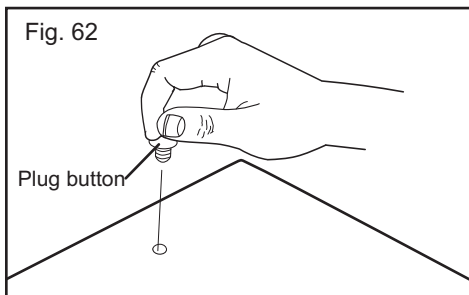
- Loosen the 2 set screws with the 3/32" Allen wrench and remove the handle.



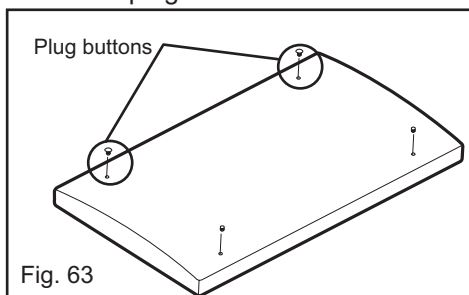
- Loosen the handle mounting fasteners with the 1/4" Allen wrench.



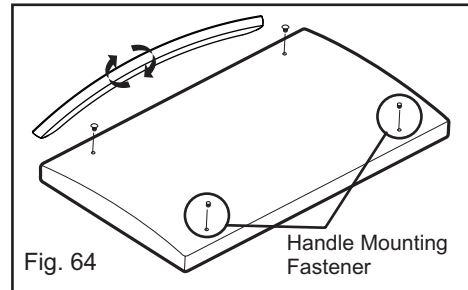
- Unscrew the buttons with your fingers by rotating counterclockwise; they will loosen and fall free.



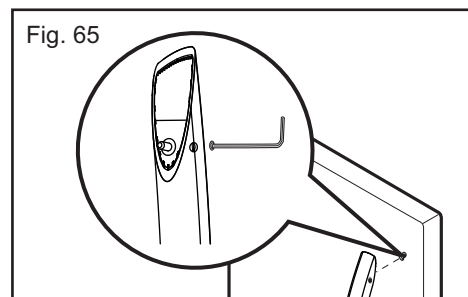
- Install the plug buttons on the left side.



- Install the handle mounting fasteners on the right side. Turn handle upside down.



- Install the handle by adjusting handle footprints to fit mounting fasteners. Using a 3/32" allen wrench tighten the set screws.

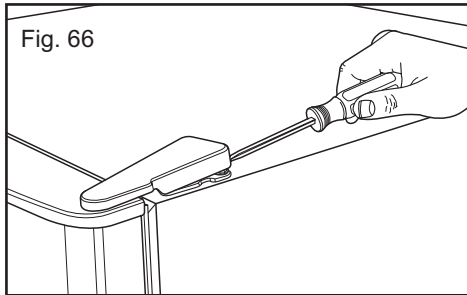


## 3-8 DOOR DISASSEMBLY FOR SWING TYPE MODELS

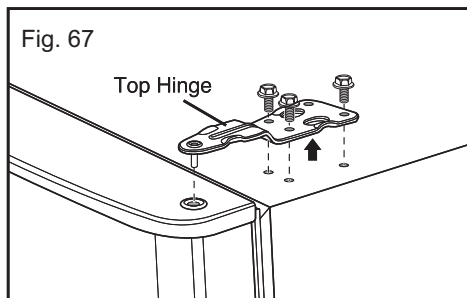
### 3-8-1 REMOVE SWING REFRIGERATOR AND FREEZER DOORS

Before removing the doors, remove the Base Grille.

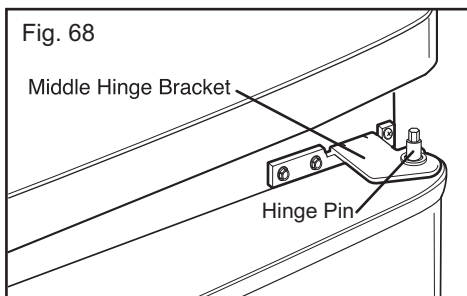
- Gently pry off the Top Hinge Cover with a flat head screwdriver and remove.



- Using 10mm or 13/32-inch socket wrench, remove the 3 bolts and lift off the Top Hinge. Set parts aside.



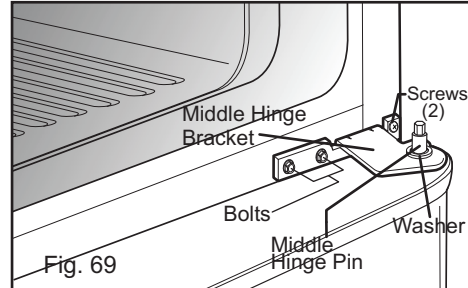
- Lift up door slightly and remove it. Place door on a non scratching surface.



- Remove washer and set aside.

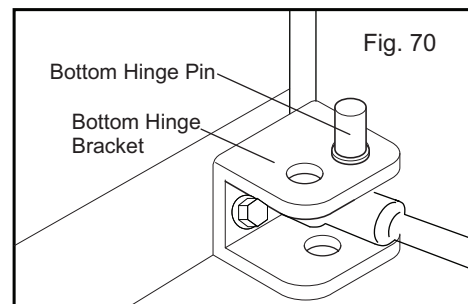
Using a 1/4 socket wrench, loosen and remove Hinge Pin from the Middle Hinge Bracket.

- Use a 10mm or 13/32 inch socket wrench to remove the 2 bolts in Middle Hinge Bracket. Remove screws. Set Middle Hinge Bracket and other parts aside.



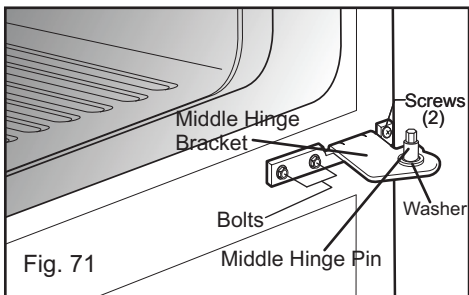
- Carefully lift up the freezer door. Remove and place it on a non-scratching surface.

- Using a 13/32" 10mm socket wrench with a 2" extension, loosen the 2 bolts and remove Bottom Hinge Bracket from right side.

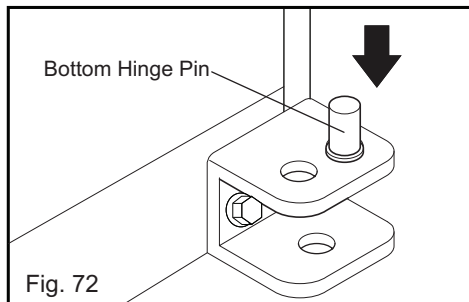


### 3-8-2 REPLACE SWING REFRIGERATOR AND FREEZER DOORS

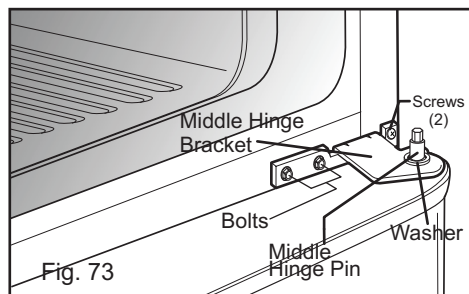
- Reattach Bottom Hinge Bracket using the 2 previously removed bolts.
- Reattach Middle Hinge Bracket with the previously removed 2 bolts and 2 screws.



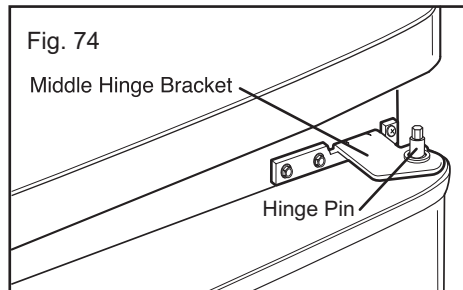
- Place freezer door down on Bottom Hinge Pin.



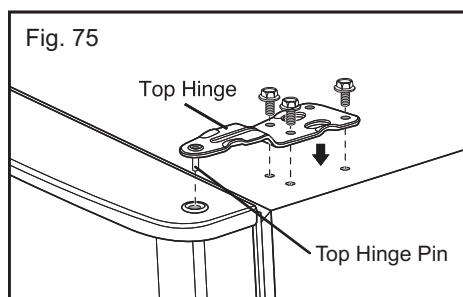
Reattach Middle Hinge Pin. Replace washer.



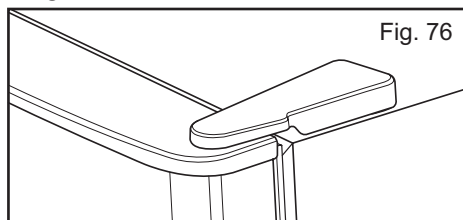
- Put refrigerator door down over the Hinge Pin on the Middle Hinge Pin Bracket.



- Line up Top Hinge with holes in top of refrigerator. Use the 3 bolts to replace the Hinge.

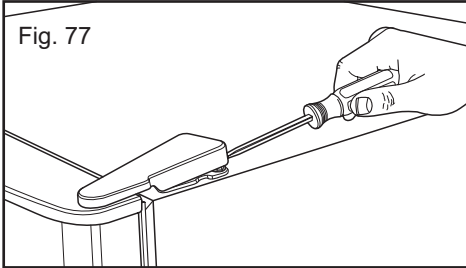


- Tighten Bolts. Force-fit Top Hinge Cover over top Hinge.

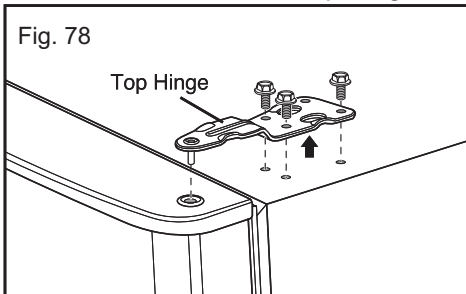


### 3-8-3 REVERSE SWING REFRIGERATOR AND FREEZER DOORS

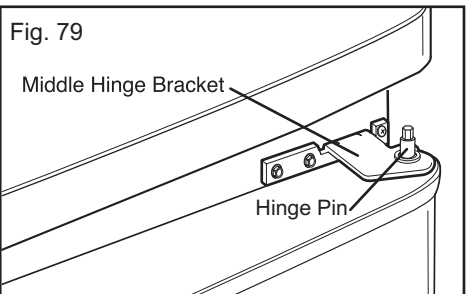
- Gently pry off the Top Hinge Cover with a flat head screwdriver and remove.



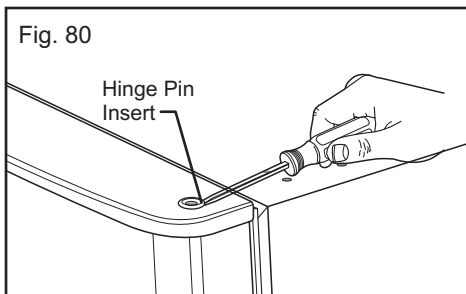
- Using 10mm or 13/32-inch socket wrench, remove the 3 bolts and lift off the Top Hinge. Set parts aside.



- Lift up refrigerator door slightly and remove it.

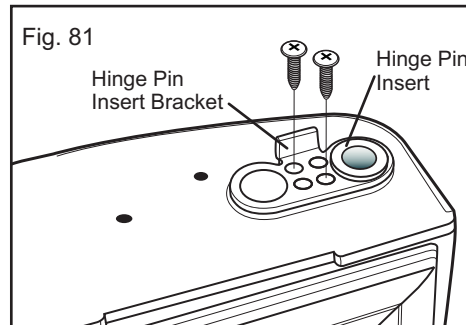


- Remove Hinge Pin Insert on the right side of the door and reinstall on left side of door.



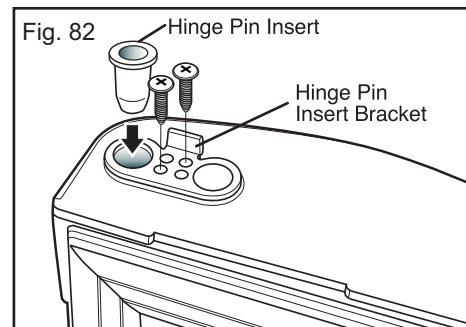
- Turn refrigerator door upside down on a non-scratch surface.

- Loosen the 2 screws to remove the Bottom Hinge Pin Insert Bracket with Hinge Pin Insert.

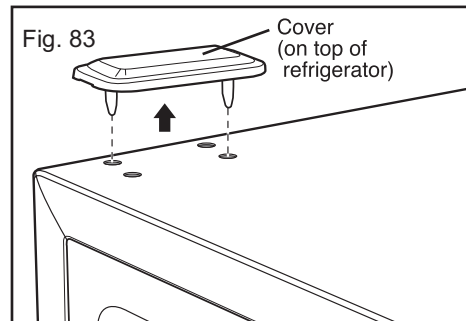


- Remove the screw on the opposite side of the door. This screw is no longer necessary and can be discarded.

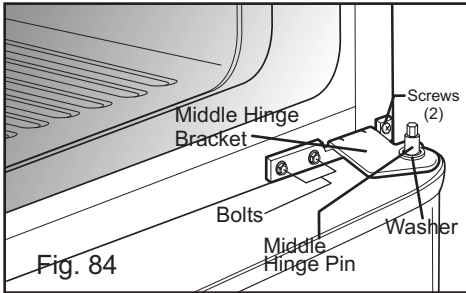
- Move the Hinge Pin Insert Bracket to the other side of the door, keeping the same orientation, and push the Hinge Pin Insert into the hole on the left side of the bracket. Insert the 2 screws as shown below.



- Pry off cover on top of refrigerator on left side to uncover screw holes and place it on the right side.



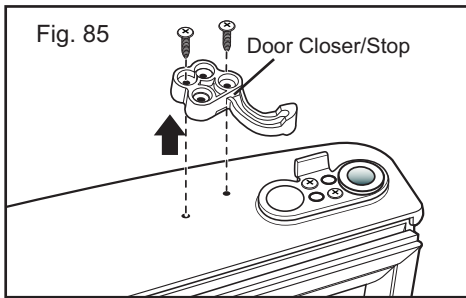
- Remove Washer and set aside.
- Using a 1/4 socket wrench, loosen and remove Hinge Pin from the Middle Hinge Bracket.



- Carefully lift up the freezer door. Remove and place it on a non scratching surface.

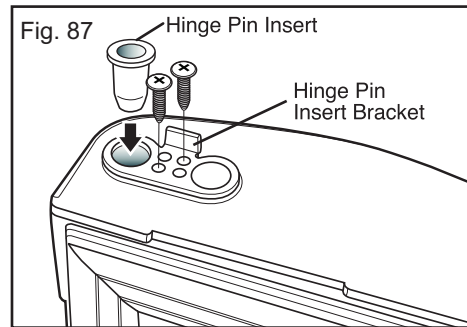
- Turn freezer door upside down.

- With door upside down, loosen the 2 screws and remove the Door Closer/Stop.

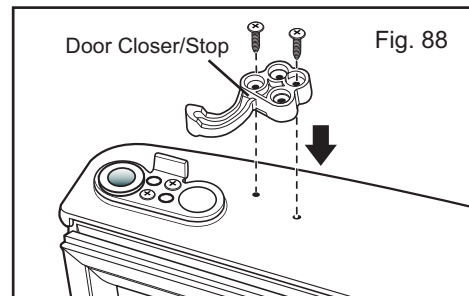


- Remove the screw on the opposite side of the door. This screw is no longer necessary and can be discarded.

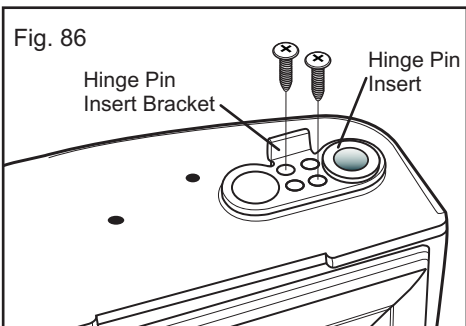
- Move the Hinge Pin Insert Bracket to the other side of the door, keeping the same orientation, and push the Hinge Pin Insert into the hole on the left side of the bracket. Insert the 2 screws as shown below.



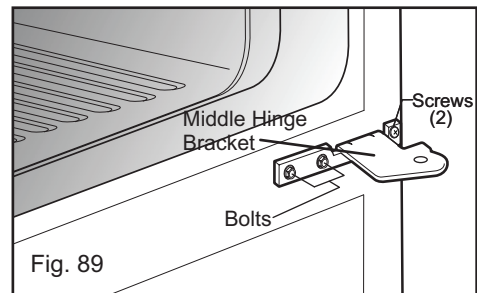
- Take Door Closer/Stop and flip. Line up screw holes and mount on left side of door bottom with the 2 screws. Turn door upright and set aside.



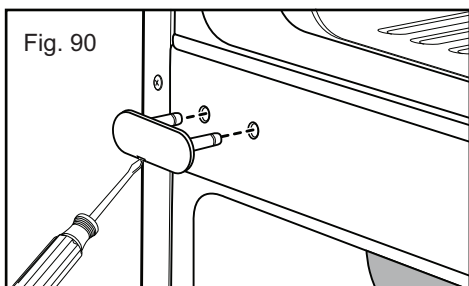
Loosen the 2 screws to remove the Bottom Hinge Pin Insert Bracket with Hinge Pin Insert.



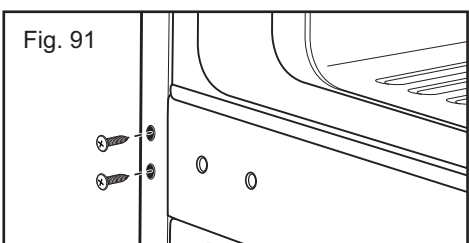
- Use a 10mm or 13/32 inch socket wrench to remove the 2 bolts in Middle Hinge Bracket. Remove 2 screws. Set Middle Hinge Bracket and other parts aside.



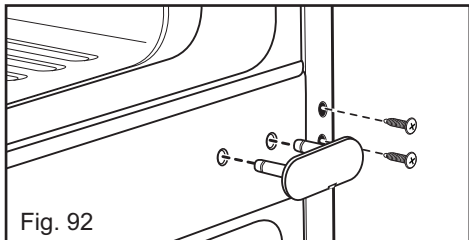
- With a flat-head screwdriver, carefully pry off and remove the cover over the screw holes on the left side of refrigerator housing.



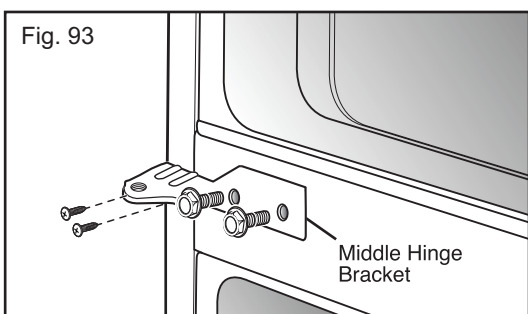
- Remove the 2 outer screws from cabinet frame as shown. You will need these holes for the Middle Hinge Bracket.



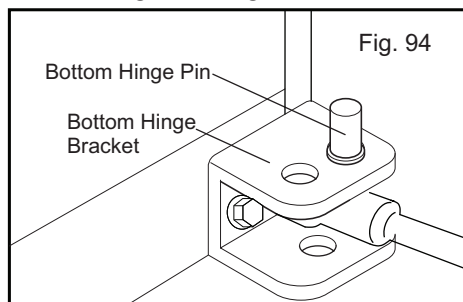
- Place screws into outer holes on right side of cabinet. Attach cover on the right side. Cover is force-fitted.



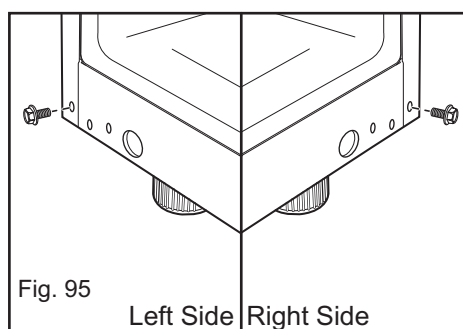
- Flip the middle hinge bracket and position on left side of refrigerator and re-attach with two bolts and a 2 phillips screws.



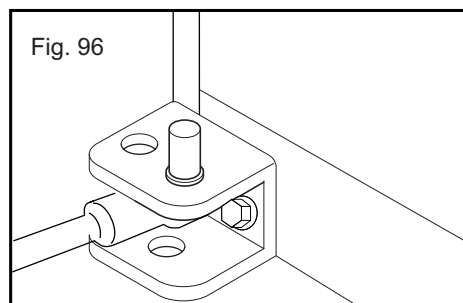
- Using a 13/32" or 10mm socket wrench with 2" extension, loosen the 2 bolts and remove bottom hinge from right side.



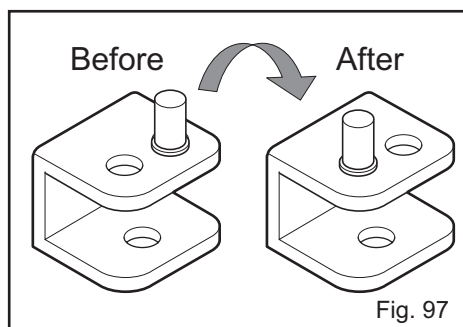
- Remove the bolt on bottom of refrigerator from the left side and insert it on the right side. You will need this hole for the Bottom Hinge.



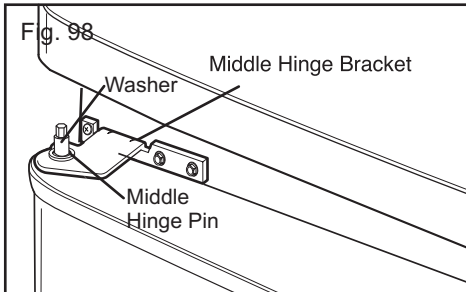
- Move the Bottom Hinge to the left side keeping the same orientation and attach 2 bolts.



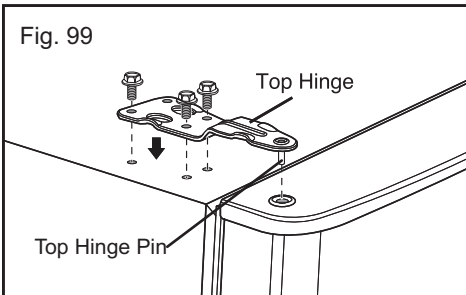
- Change the Hinge Pin from the right side to left side.



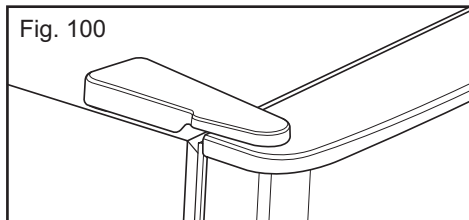
- 
- Put freezer door down over the Bottom Hinge Pin on the Bottom Hinge Bracket.
  - Reattach Middle Hinge Pin using a 1/4" socket wrench. Replace washer.
  - Put refrigerator door down over the Hinge Pin on the Middle Hinge Pin Bracket.



- Line up Top Hinge with holes in top of refrigerator. Use the 3 bolts to replace the Hinge.



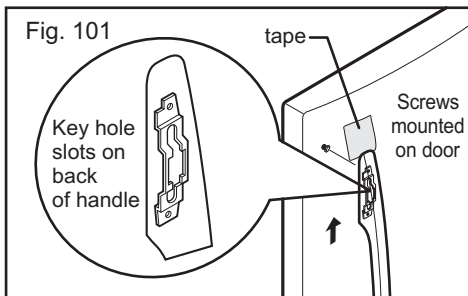
- Tighten Bolts. Force-fit Top Hinge Cover over top Hinge.



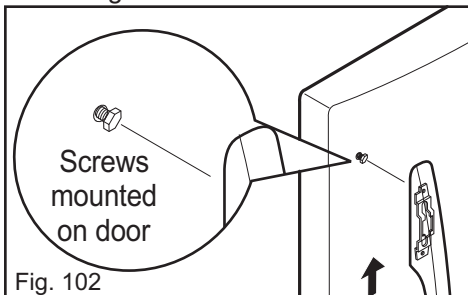
### 3-8-4 HOW TO REVERSE SWING DOOR HANDLE

**NOTE:** To assist in installing the handle on the right side, place a small piece of masking tape near the top of the handle before removing.

- Grasp the handle tightly with both hands and slide the handle up (this may require some force).
- The keyhole slots on the back of the handle allow the handle to separate from the mounting screws.

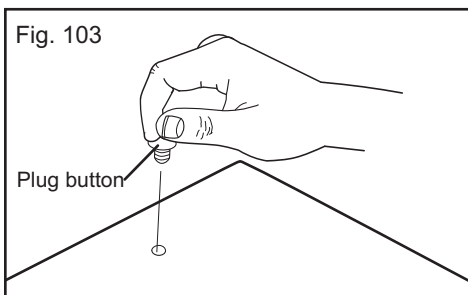


- Use an adjustable wrench to remove the 2 handle mounting screws.

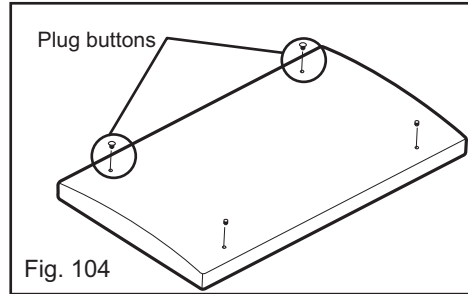


**⚠ CAUTION**  
To avoid scratching the door. Do not remove the plug buttons by prying with a screwdriver.

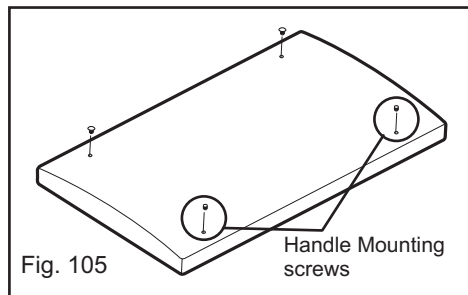
- Unscrew the buttons with your fingers by rotating counterclockwise; they will loosen and fall free.



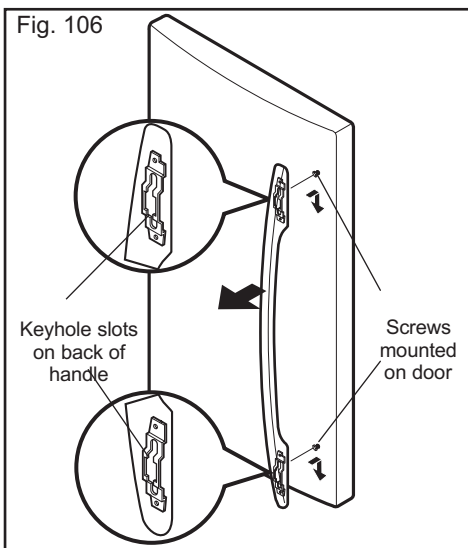
- Install the plug buttons on the left side.



- Install the handle mounting screws on the right side.

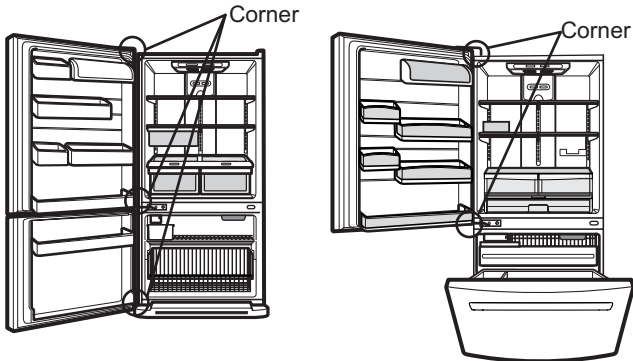


- Align the keyhole slots on the door handle to the handle mounting screws on the door and grasping the handle with both hands, press it firmly against the front of the door and slide the handle down. This may require some force.



### 3-9 AFTER COMPLETING THE JOB

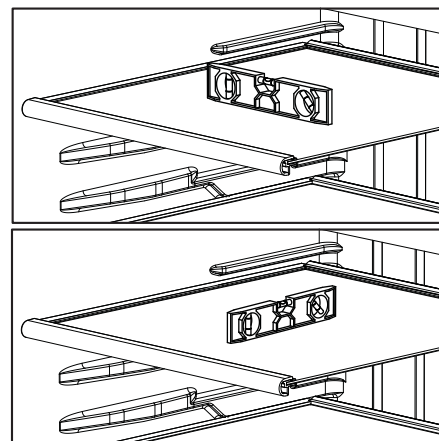
Make sure that the four corners of the door gasket are not folded over. To ensure a good seal, apply a small amount of silicon grease on the gasket.



4. Open both doors again and check to make sure that they close easily. If not, tilt the refrigerator slightly more to the rear by turning both Leveling Screws clockwise. It may take several more turns, and you should turn both Leveling Screws the same amount.

5. Replace the base grille.

Place level tool on refrigerator shelf as shown below to check if unit is level.



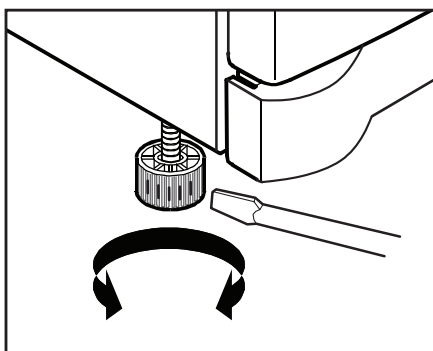
### 3-10 LEVELING AND DOOR CLOSING

To avoid vibration, the unit must be leveled. If necessary, adjust the Leveling Legs to compensate for unevenness of the floor. The front should be slightly higher than the rear to aid in door closing.

Your refrigerator has two Front Leveling Screws – one on the right and one on the left. If your refrigerator seems unsteady or you want the doors to close more easily, adjust the refrigerator's tilt using the instructions below:

1. Plug refrigerator power cord into a 3-prong grounded outlet. Move the refrigerator into its final position.
2. Remove the base grille. The two Leveling Screws are located on the bottom of the refrigerator on either side.
3. Insert a flat screwdriver in slots to adjust the Leveling Screws. Turn the leveling screw clockwise to raise the side of the refrigerator or counterclockwise to lower it. It may take several turns of the Leveling Screw to adjust the tilt of the refrigerator.

**NOTE:** Having someone push against the top of the refrigerator takes some of the weight off the Leveling Screws. This makes it easier to adjust the screws.



### 3-11 DOOR ALIGNMENT

If the space between your doors is uneven, follow the instructions below to align the doors:

1. Gently pry off the Top Hinge Cover with a flat head screwdriver and remove. Loosen the Top Hinge Bolts using a 10mm or 13/32-in. socket wrench or open-end wrench.
2. Have someone hold the freezer door so the space between the two doors is even, and retighten the top hinge bolts.
3. Replace the Top Hinge Cover.

# 4. ADJUSTMENT

## 4-1 COMPRESSOR

### 4-1-1 Role

The compressor intakes low temperature and low pressure gas from the evaporator of the refrigerator and compresses this gas to high-temperature and high-pressure gas. It then delivers the gas to the condenser.

### 4-1-2 Composition

The compressor includes overload protection. The PTC starter and OLP (overload protector) are attached to the outside of the compressor. Since the compressor is manufactured to tolerances of 1 micron and is hermetically sealed in a dust and moisture-free environment, use extreme caution when repairing it.

### 4-1-3 Note for Usage

- (1) Be careful not to allow over-voltage and over-current.
- (2) If compressor is dropped or handled carelessly, poor operation and noise may result.
- (3) Use proper electric components appropriate to the Particular Compressor in your product.
- (4) Keep Compressor dry.  
If the Compressor gets wet (in the rain or a damp environment) and rust forms in the pin of the Hermetic Terminal, poor operation and contact may result.
- (5) When replacing the Compressor, be careful that dust, humidity, and soldering flux don't contaminate the inside of the compressor. Dust, humidity, and solder flux contaminate the cylinder and may cause noise, improper operation or even cause it to lock up.

## 4-2 PTC-STARTER

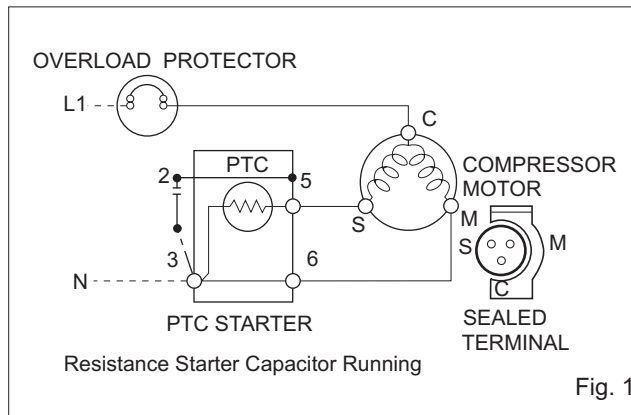
### 4-2-1 Composition of PTC-Starter

- (1) PTC (Positive Temperature Coefficient) is a no-contact semiconductor starting device which uses ceramic material consisting of BaTiO<sub>3</sub>.
- (2) The higher the temperature is, the higher the resistance value. These features are used as a starting device for the Motor.

### 4-2-2 Role of PTC-Starter

- (1) The PTC is attached to the Sealed Compressor and is used for starting the Motor.
- (2) The compressor is a single-phase induction motor. During the starting operation, the PTC allows current flow to both the start winding and main winding.

### 4-2-3 PTC-Applied Circuit Diagram Starting Method for the Motor



### 4-2-4 Motor Restarting and PTC Cooling

- (1) It requires approximately 5 minutes for the pressure to equalize before the compressor can restart.
- (2) The PTC device generates heat during operation. Therefore, it must be allowed to cool before the compressor can restart.

### 4-2-5 Relation of PTC-Starter and OLP

- (1) If the compressor attempts to restart before the PTC device is cooled, the PTC device will allow current to flow only to the main winding.
- (2) The OLP will open because of the over current condition. This same process will continue (3 to 5 times) when the compressor attempts to restart until the PTC device has cooled. The correct OLP must be properly attached to prevent damage to the compressor.

Parts may appear physically identical but could have different electrical ratings. Replace parts by part number and model number. Using an incorrect part could result in damage to the product, fire, injury, or possibly death.

### 4-2-6 Note for Using the PTC-Starter

- (1) Be careful not to allow over-voltage and over-current.
- (2) Do not drop or handle carelessly.
- (3) Keep away from any liquid.  
If liquid such as oil or water enters the PTC, PTC materials may fail due to breakdown of their insulating capabilities.
- (4) If the exterior of the PTC is damaged, the resistance value may be altered. This can cause damage to the compressor and result in a no-start or hard-to-start condition.
- (5) Always use the PTC designed for the compressor and make sure it is properly attached to the compressor. Parts may appear physically identical but could have different electrical ratings. Replace parts by part number and model number. Using an incorrect part could result in damage to the product, fire, injury, or possibly death.

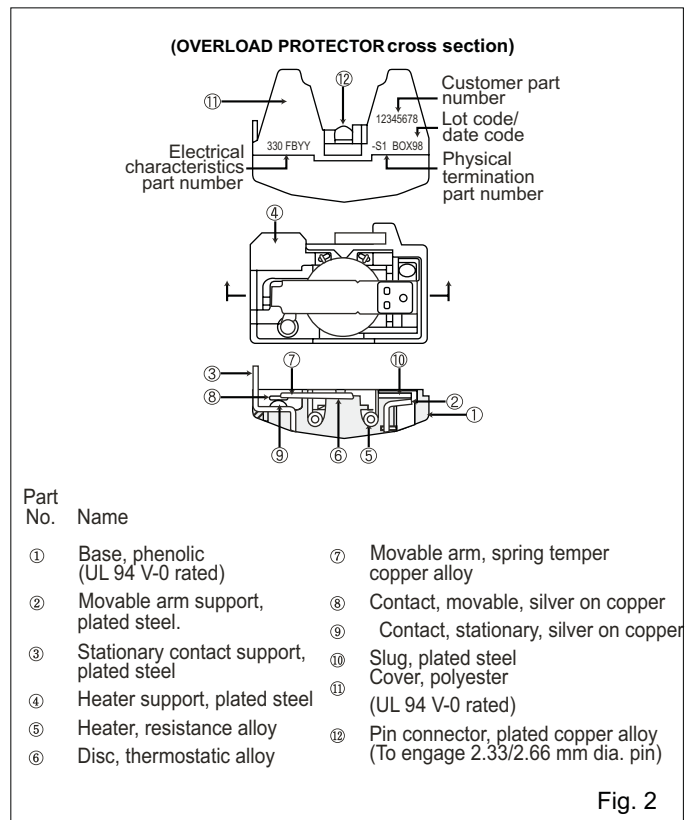
## 4-3 OLP (OVERLOAD PROTECTOR)

### 4-3-1 Definition of OLP

- (1) OLP (OVERLOAD PROTECTOR) is attached to the Compressor and protects the Motor by opening the circuit to the Motor if the temperature rises and activating the bimetal spring in the OLP.
- (2) When high current flows to the Compressor motor, the Bimetal works by heating the heater inside the OLP, and the OLP protects the Motor by cutting off the current flowing to the Compressor Motor.

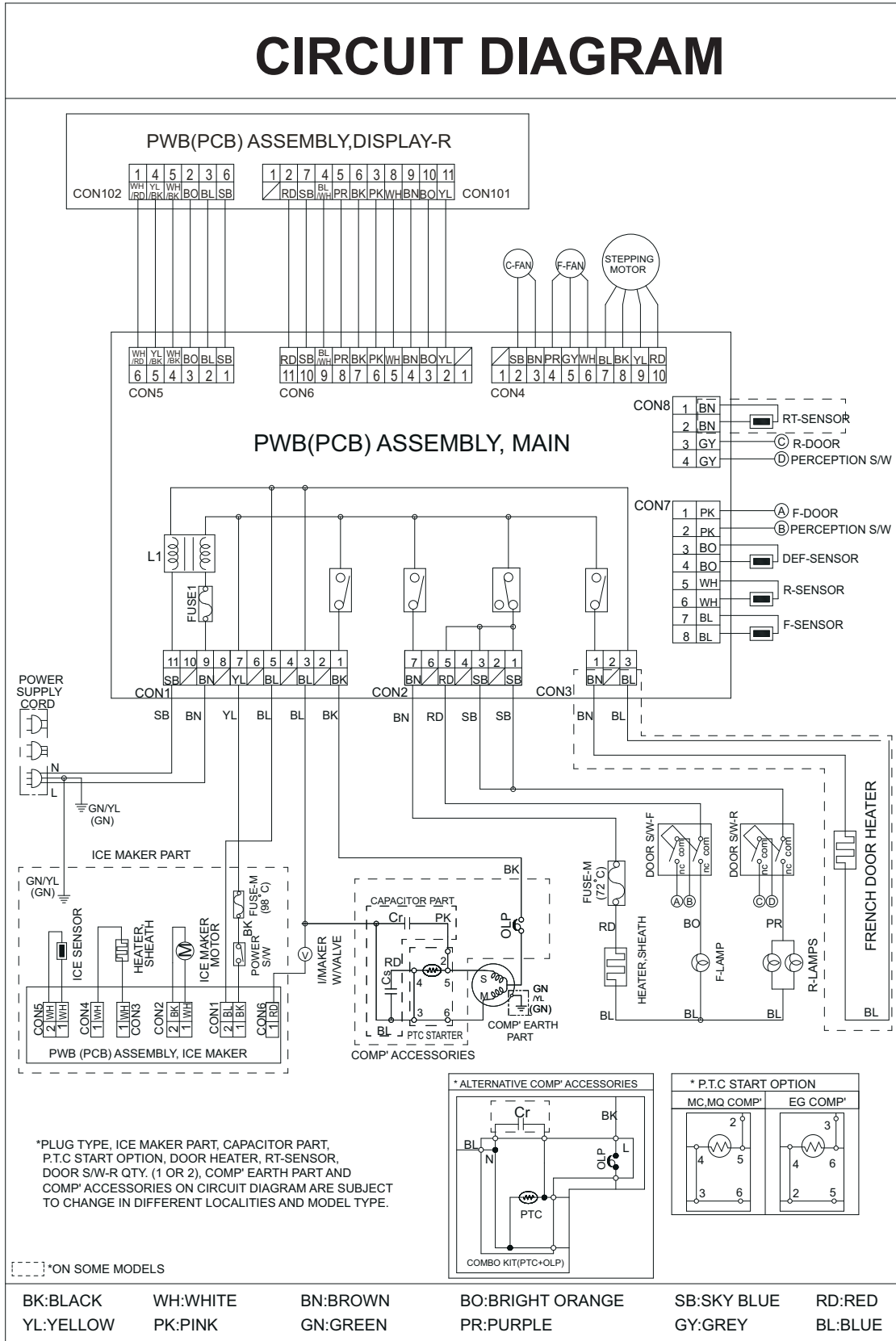
### 4-3-2 Role of the OLP

- (1) The OLP is attached to the Sealed Compressor used for the Refrigerator. It prevents the Motor Coil from being started in the Compressor.
- (2) For normal operation of the OLP, do not turn the Adjust Screw of the OLP in any way.



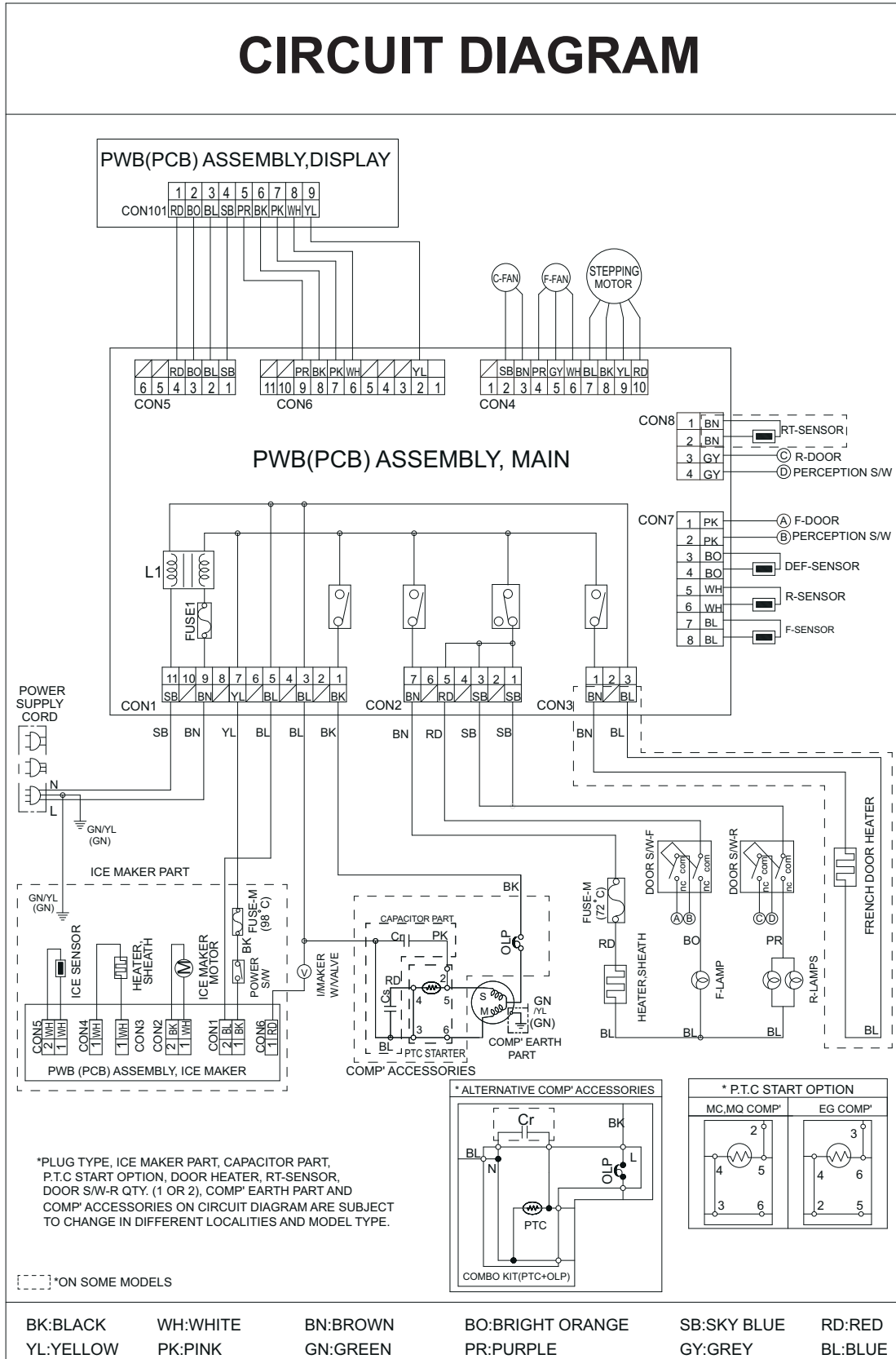
# 5. CIRCUIT DIAGRAM

## 5-1 For Drawer Type Models



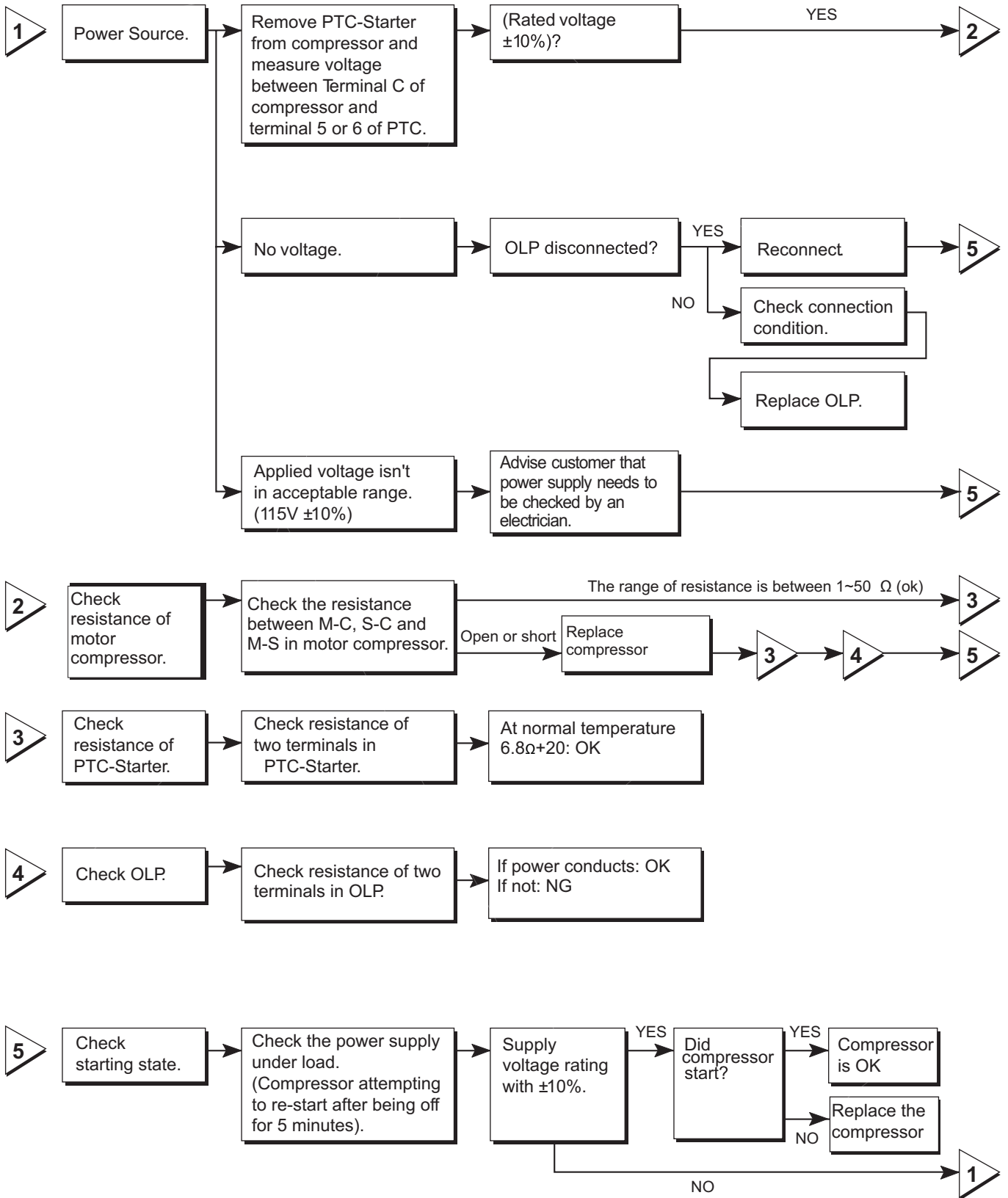
## 5-2 For Swing Type Models

# CIRCUIT DIAGRAM



# 6. TROUBLESHOOTING

## 6-1. COMPRESSOR AND ELECTRIC COMPONENTS



## 6-2. PTC AND OLP

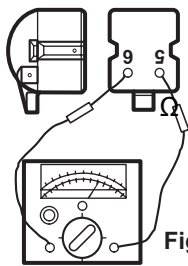
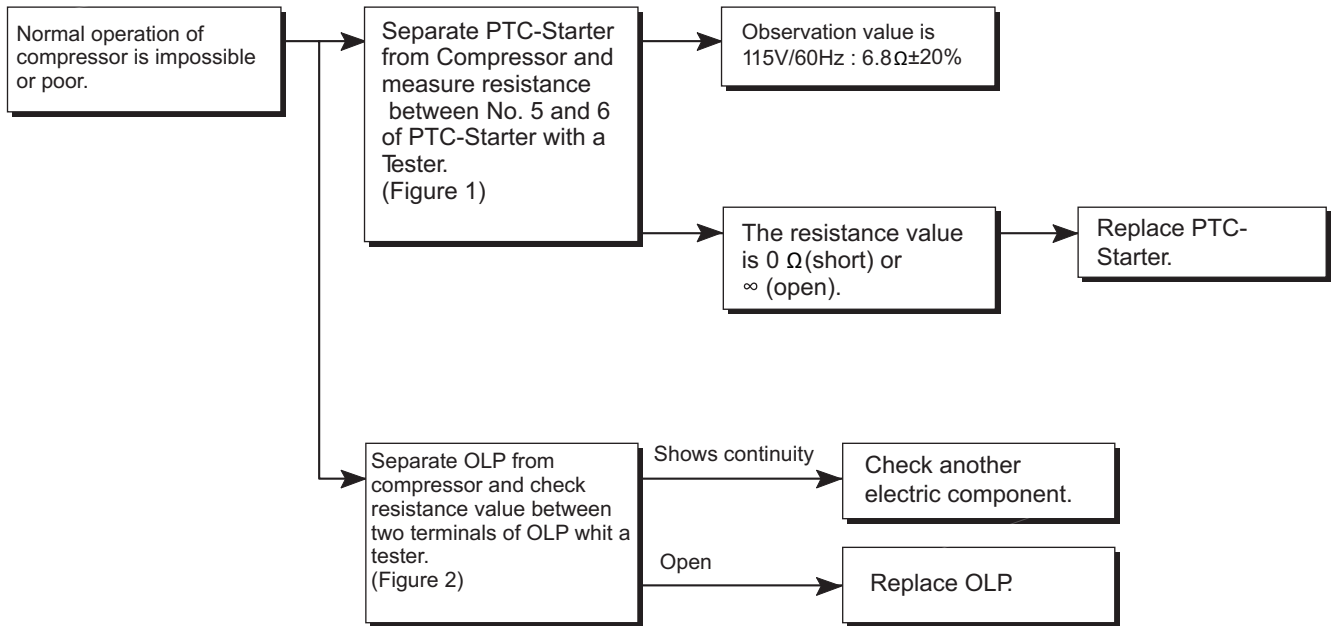


Figure 1

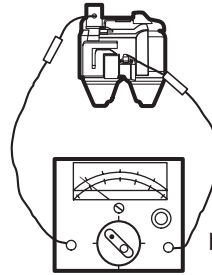
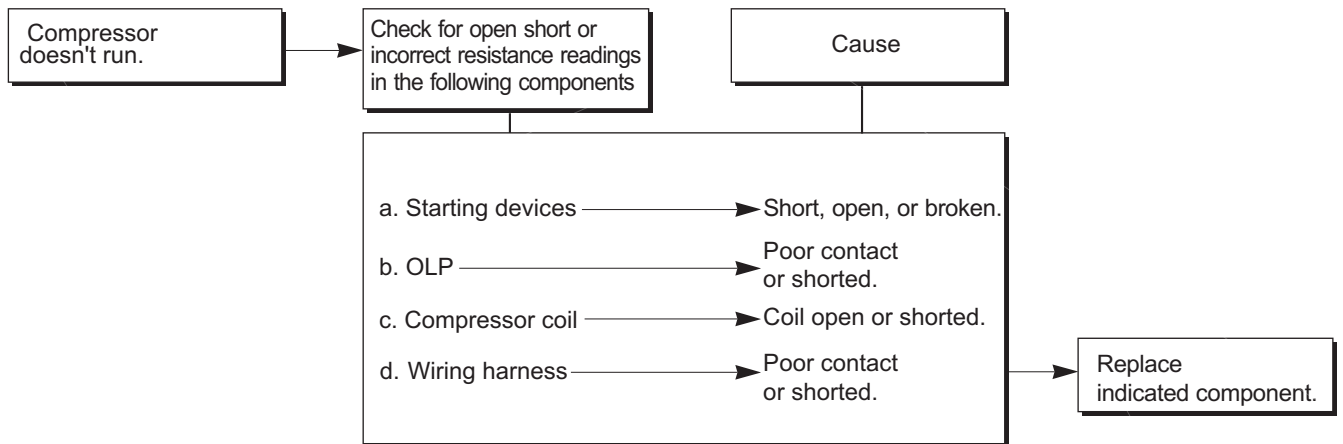


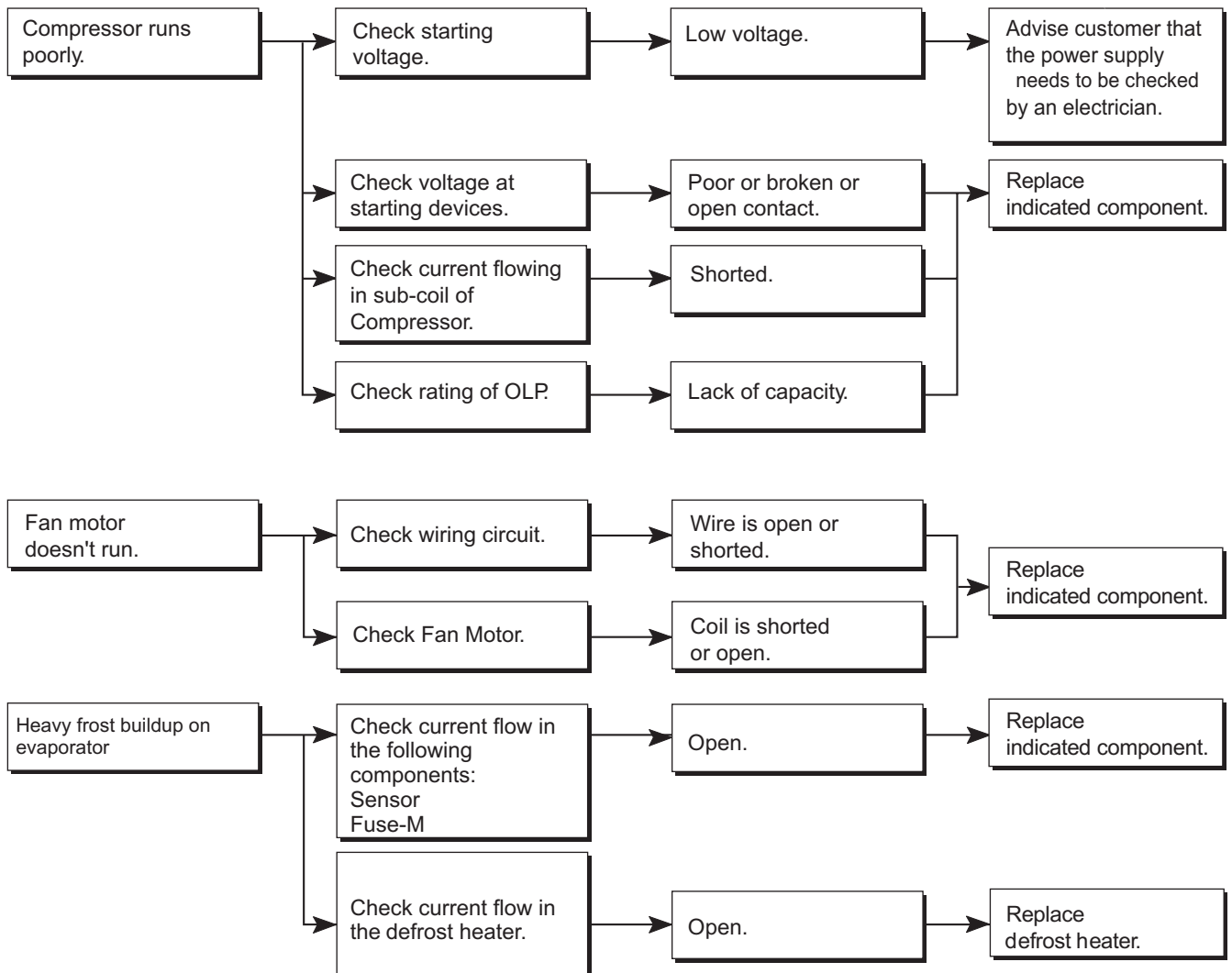
Figure 2

## 6-3 OTHER ELECTRICAL COMPONENTS

### • Not cooling at all



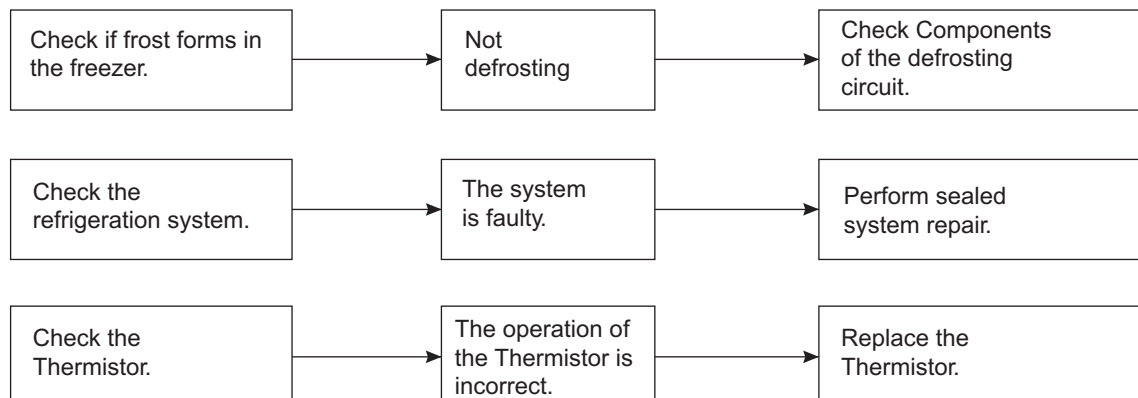
### • Poor cooling performance



## 6-4 SERVICE DIAGNOSIS CHART

COMPLAINT	POINTS TO BE CHECKED	REMEDY
No Cooling.	<ul style="list-style-type: none"> <li>• Is the power cord unplugged from the outlet?</li> <li>• Check if the power switch is set to OFF.</li> <li>• Check if the fuse of the power switch is shorted.</li> <li>• Measure the voltage of the power outlet.</li> </ul>	<ul style="list-style-type: none"> <li>• Plug into the outlet.</li> <li>• Set the switch to ON.</li> <li>• Replace the fuse.</li> <li>• If the voltage is low, correct the wiring.</li> </ul>
Cools poorly.	<ul style="list-style-type: none"> <li>• Check if the unit is placed too close to the wall.</li> <li>• Check if the unit is placed too close to the stove, gas cooker, or in direct sunlight.</li> <li>• Is the ambient temperature too high or the room door closed?</li> <li>• Check if food put in the refrigerator is hot.</li> <li>• Did you open the door of the unit too often or check if the door is sealed properly?</li> <li>• Check if the Control is set to <b>Warm position</b>.</li> </ul>	<ul style="list-style-type: none"> <li>• Place the unit about 4 inches (10 cm) from the wall.</li> <li>• Place the unit away from these heat sources.</li> <li>• Lower the ambient temperature.</li> <li>• Put in foods after they have cooled down.</li> <li>• Don't open the door too often and close it firmly.</li> <li>• Set the control to <b>Recommended position</b>.</li> </ul>
Foods in the Refrigerator are frozen.	<ul style="list-style-type: none"> <li>• Is food placed in the cooling air outlet?</li> <li>• Check if the control is set to <b>colder position</b>.</li> <li>• Is the ambient temperature below 41°F(5°C)?</li> </ul>	<ul style="list-style-type: none"> <li>• Place foods in the high-temperature section. (front part)</li> <li>• Set the control to <b>Recommended position</b>.</li> <li>• Set the control to <b>Warm position</b>.</li> </ul>
Condensation or ice forms inside the unit.	<ul style="list-style-type: none"> <li>• Is liquid food sealed?</li> <li>• Check if food put in the refrigerator is hot.</li> <li>• Did you open the door of the unit too often or check if the door is sealed properly?</li> </ul>	<ul style="list-style-type: none"> <li>• Seal liquid foods with wrap.</li> <li>• Put in foods after they have cooled down.</li> <li>• Don't open the door too often and close it firmly.</li> </ul>
Condensation forms in the Exterior Case.	<ul style="list-style-type: none"> <li>• Check if the ambient temperature and humidity of the surrounding air are high.</li> <li>• Is there a gap in the door gasket?</li> </ul>	<ul style="list-style-type: none"> <li>• Wipe moisture with a dry cloth. It will disappear in low temperature and humidity.</li> <li>• Fill up the gap.</li> </ul>
There is abnormal noise.	<ul style="list-style-type: none"> <li>• Is the unit positioned in a firm and even place?</li> <li>• Are any unnecessary objects placed in the back side of the unit?</li> <li>• Check if the Tray Drip is not firmly fixed.</li> <li>• Check if the cover of the compressor enclosure in the front lower side is taken out.</li> </ul>	<ul style="list-style-type: none"> <li>• Adjust the Leveling Screw, and position the refrigerator in a firm place.</li> <li>• Remove the objects.</li> <li>• Fix the Tray Drip firmly in the original position.</li> <li>• Place the cover in its original position.</li> </ul>
Door does not close well.	<ul style="list-style-type: none"> <li>• Check if the door gasket is dirty with an item like juice.</li> <li>• Is the refrigerator level?</li> <li>• Is there too much food in the refrigerator?</li> </ul>	<ul style="list-style-type: none"> <li>• Clean the door gasket.</li> <li>• Position in the firm place and level the Leveling Screw.</li> <li>• Make sure food stored in shelves does not prevent the door from closing.</li> </ul>
Ice and foods smell unpleasant.	<ul style="list-style-type: none"> <li>• Check if the inside of the unit is dirty.</li> <li>• Are foods with a strong odor unwrapped?</li> <li>• The unit smells of plastic.</li> </ul>	<ul style="list-style-type: none"> <li>• Clean the inside of the unit.</li> <li>• Wrap foods that have a strong odor.</li> <li>• New products smell of plastic, but this will go away after 1-2 weeks.</li> </ul>

• Other possible problems:

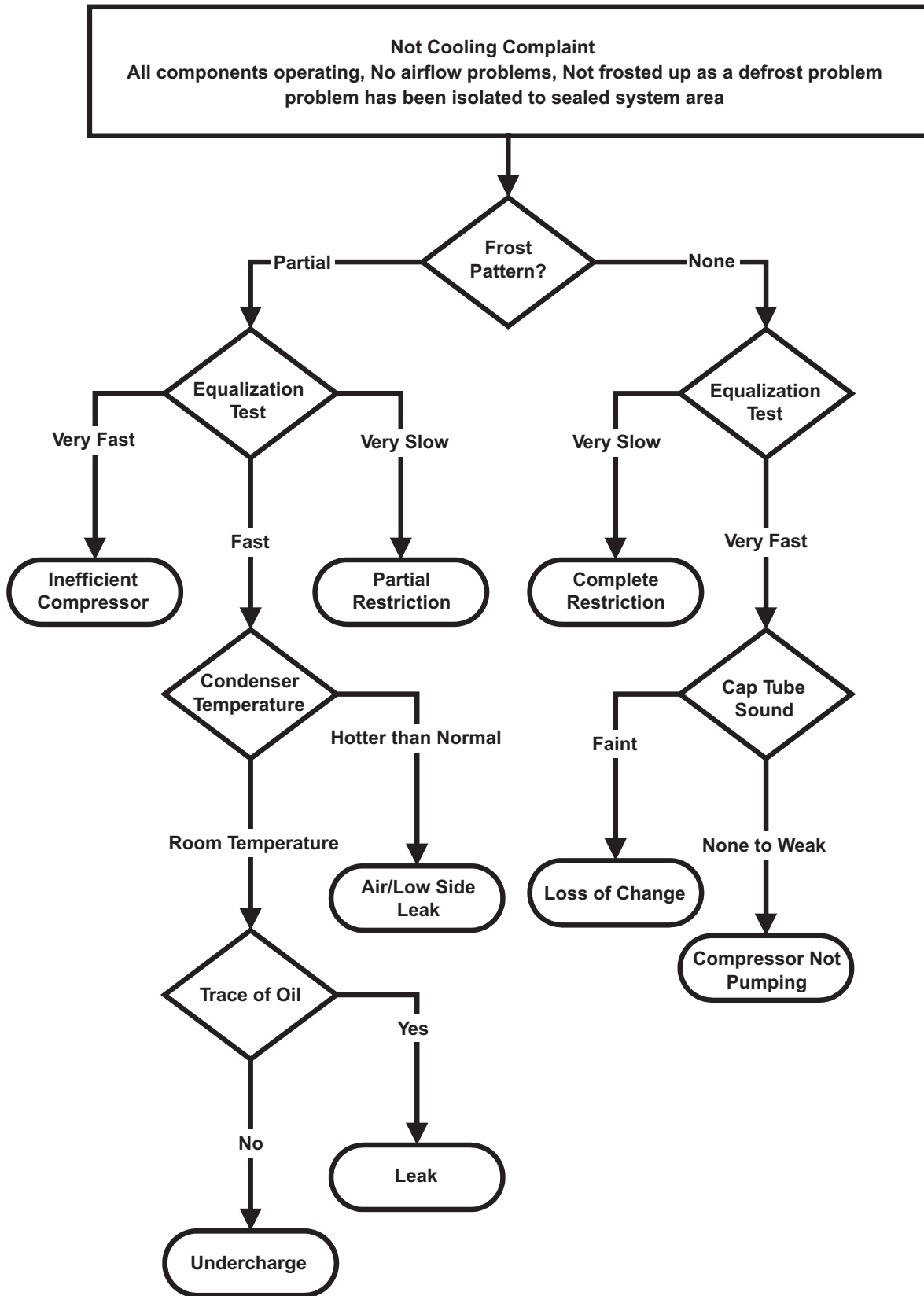


## 6-5 REFRIGERATION CYCLE

### • Troubleshooting Chart

CAUSE		STATE OF THE UNIT	STATE OF THE EVAPORATOR	TEMPERATURE OF THE COMPRESSOR	REMARKS
LEAKAGE	PARTIAL LEAKAGE	Freezer compartment and refrigerator don't cool normally	Low flowing sound of refrigerant is heard and frost forms in inlet only.	A little higher than ambient temperature.	- Refrigerant level is low due to a leak. - Normal cooling is possible by restoring the normal amount of refrigerant and repairing the leak.
	COMPLETE LEAKAGE	Freezer compartment and refrigerator don't cool normally	Flowing sound of refrigerant is not heard and frost isn't formed.	Equal to ambient temperature.	- No discharging of refrigerant. - Normal cooling is possible by restoring the normal amount of refrigerant and repairing the leak.
RESTRICTION	PARTIAL RESTRICTION	Freezer compartment and refrigerator don't cool normally	Flowing sound of refrigerant is heard and frost forms in inlet only.	A little higher than ambient temperature.	- Normal discharging of the refrigerant. - The capillary tube is faulty.
	COMPLETE RESTRICTION	Freezer compartment and refrigerator don't cool.	Flowing sound of refrigerant is not heard and frost isn't formed.	Equal to ambient temperature.	- Normal discharging of the refrigerant.
MOISTURE RESTRICTION		Cooling operation stops periodically.	Flowing sound of refrigerant is not heard and frost melts.	Lower than ambient temperature.	- Cooling operation restarts when heating the inlet of the capillary tube.
DEFECTIVE COMPRESSION	COMPRESSSION	Freezer and refrigerator don't cool.	Low flowing sound of refrigerant is heard and frost forms in inlet only.	A little higher than ambient temperature.	- Low pressure at high side of compressor due to low refrigerant level.
	NO COMPRESSSION	No compressing operation.	Flowing sound of refrigerant is not heard and there is no frost.	Equal to ambient temperature	- No pressure in the high pressure part of the compressor.

6-5-1 SEALED SYSTEM DIAGNOSIS

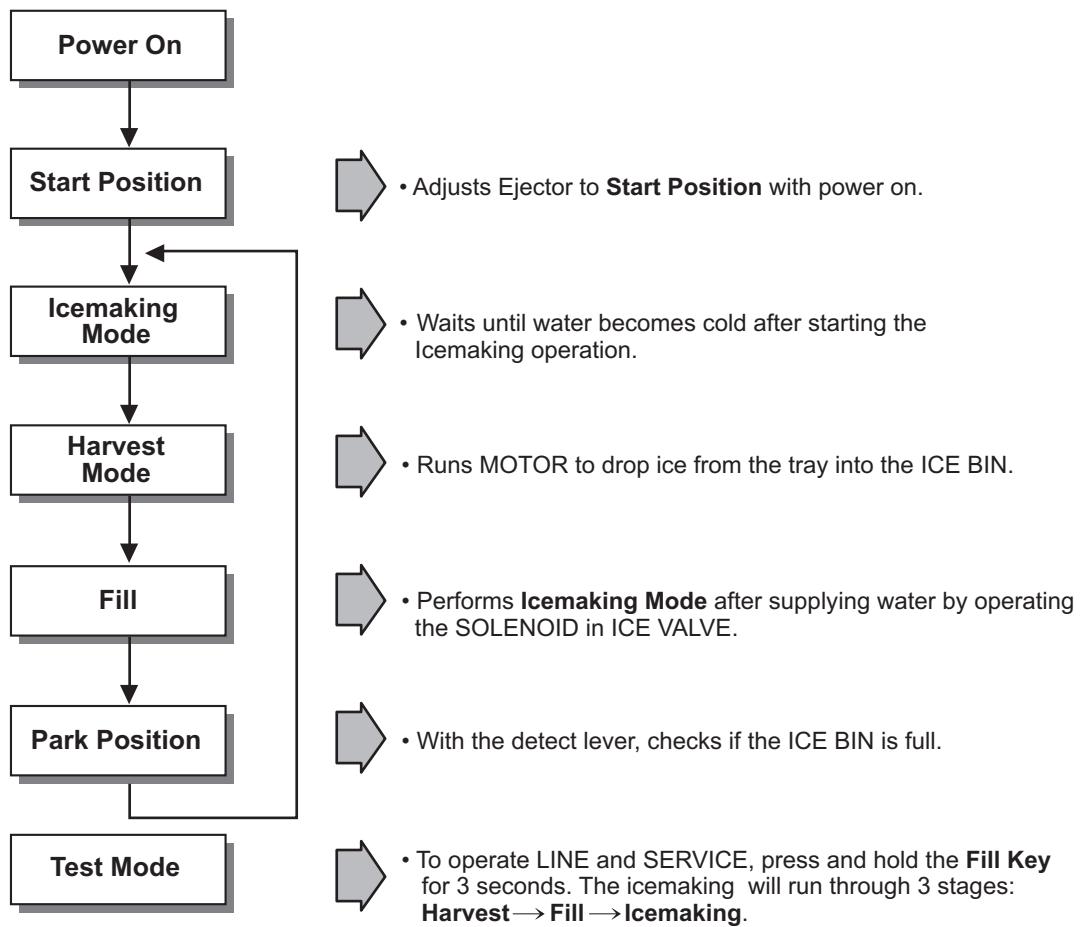


(The equalization test is trying to restart a compressor after it has been operating.)

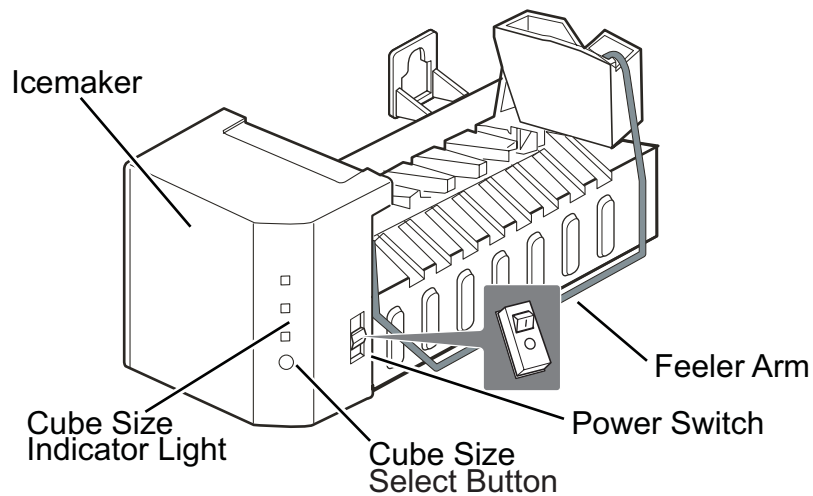
# 7. OPERATION PRINCIPLE AND REPAIR METHOD OF ICEMAKER

## 7-1 OPERATION PRINCIPLE

### 7-1-1 Operation Principle of Icemaker



1. Turning the Icemaker stop switch off (O) stops the icemaking function.
2. Setting the Icemaker switch to OFF and then turning it back on will reset the icemaker control.



## 7-2 ICEMAKER FUNCTIONS

### 7-2-1 Start Position

1. After POWER OFF or Power Outage, check the EJECTOR's position with MICOM initialization to restart.
2. How to check if it is in place:
  - Check **HIGH/LOW** signals from HALL SENSOR in MICOM PIN.
3. Control Method to check if it is in place:
  - (1) EJECTOR is in place,
    - It is an initialized control, so the mode can be changed to icemaking control.
  - (2) EJECTOR isn't in place:
    - A. If EJECTOR is back in place within 2 minutes with the motor on, it is being initialized. If not, go to Step B.
    - B. If EJECTOR is back in place within 18 minutes after the heater turns from ON to OFF, it is being initialized. If not, it is not functioning. Repeat Step B with Heater and Motor off.

### 7-2-2 Icemaking Mode

1. Icemaking refers to the freezing of supplied water in the ice trays. Complete freezing is assured by measuring the temperature of the Tray with Icemaking SENSOR.
2. Icemaking starts after completion of the water fill operation.
3. The Icemaking function is completed when the sensor reaches  $-7^{\circ}\text{C}$ , 60 to 240 minutes after starting.
4. If the temperature sensor is defective, the ice-making function will be completed in 4 hours.

**NOTE :** After icemaker power is ON, the icemaker heater will be on for test for 9 seconds.

### 7-2-3 Harvest Mode

1. Harvest (Ice removing) refers to the operation of dropping cubes into the ice bin from the tray when icemaking has Completed.
2. Harvest mode:
  - (1) The heater is ON for 30 seconds, then the motor starts.
  - (2) After performing Step 1 (the heater is turned OFF), the ejector will be back in place within 18 minutes. (Hall sensor sign = OV). Ice removal is then complete. Then the icemaker cycles to the fill mode. The water supply fails to start, it is not functioning. Put the heater and motor in the off position. Restart every 2 hours. (Refer to figure1)

**NOTE :** If the motor malfunctions and starts before the detect lever rises, MICOM regards the Ice-Removing phase as completed. Water then starts flowing. To prevent this, MICOM doesn't switch to water-supply mode, but restarts the ice-removing mode. If this happens 3 times, the motor is malfunctioning and you should stop the loads (heater, motor). Then restart the Ice-Removing mode every 2 hours. (See Step 2 above.)

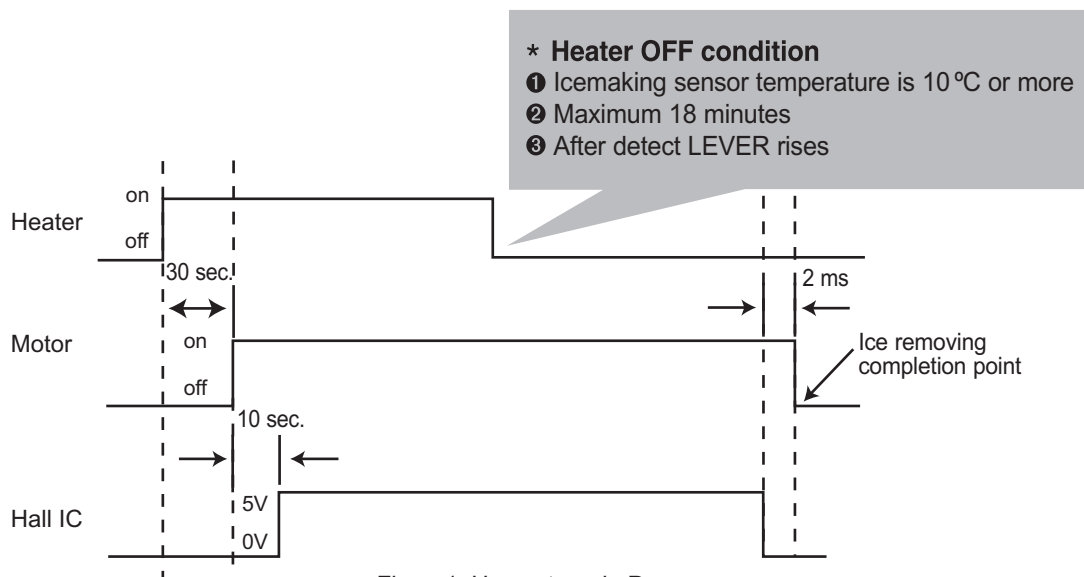
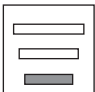
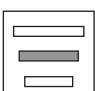



Figure1. Harvest mode Process

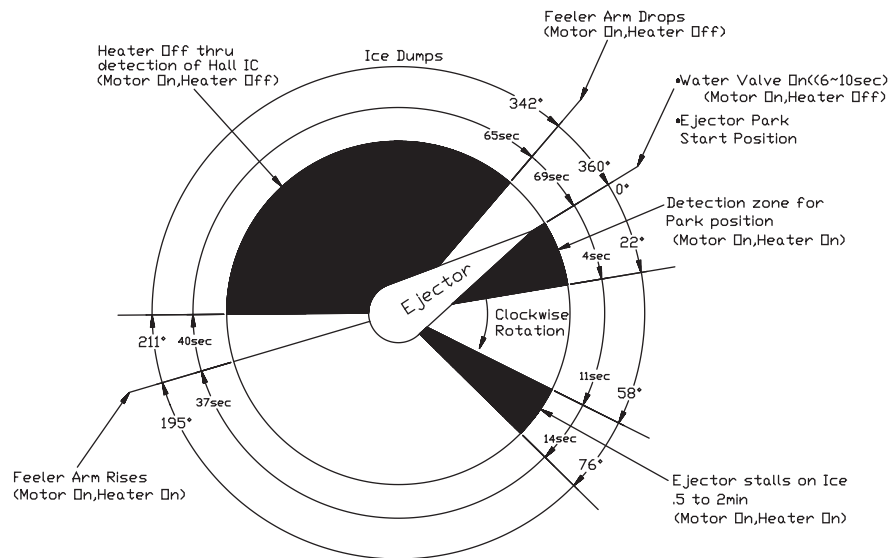
### 7-2-4 Fill/Park Position

- Once a normal harvest mode has been completed, the water solenoid will be activated.
- The amount of water is adjusted by pressing the Fill Key repeatedly. This changes the time allowed for fill as illustrated in the table below.

**Water supply amount TABLE**

STAGE	TIME TO SUPPLY	INDICATIONS	REMARKS
1	6 sec.		The water amount will vary depending on the water control switch setting, as well as the water pressure of the connected water line.
2	7 sec.		
3	8 sec.		






**NOTE :** Below is an example used by another vendor as an explanation of what is taking place.



## 7-2-5 Function TEST



1. This is a compulsory operation for test, service, cleaning, etc. It is operated by pressing and holding the fill key for 3 seconds.
2. The test works only in the Icemaking Mode. It cannot be entered from the Harvest or Fill mode. (If there is an ERROR, it can only be checked in the TEST mode.)
3. **Caution!** If the test is performed before water in the icemaker is frozen, the ejector will pass through the water. When the fill mode begins (Stage 4), unless the water supply has been shut off, added water will overflow into the ice bin. If the control Doesn't operate normally in the TEST mode, check and repair as needed.
4. After water is supplied, the normal CYCLE is followed: **icemaking** ⇔ **Harvest** ⇔ **Fill** ⇔ **Park Position**.
5. Five seconds after Stage 5 is completed, the icemaker returns to MICOM control. The time needed to supply water resets to the pre- test setting.

**Diagnosis TABLE**

STAGE	ITEMS	INDICATOR	REMARKS
1	HEATER		Five seconds after heater starts, heater will go off if temperature recorded by sensor is 10°C or lever is in up position.
2	MOTOR		Five seconds after heater starts, you can confirm that motor is moving.
3	HALL IC (TRAY)		You can confirm Hall IC detection of position.
4	SOLENOID VALVE		Two seconds after detection of initial position, you can confirm that valve is on.
5	HALL IC (LEVER)		You can check when the Hall IC is sensing a full ice condition. (If there is a water fill error, the fifth LED is not on.)
6	Reset	Return to Status prior to TEST MODE	Five seconds after fifth stage is completed, the icemaker resets to initial status.

## 7-3 DEFECT DIAGNOSIS FUNCTION

### 7-3-1 ERROR CODES shown on Ice Maker water supply control panel

NO	DIVISION	INDICATOR	CONTENTS	REMARKS
1	Normal	Mark time to supply	None	Display switch operates properly
2	Icemaking Sensor malfunction		Open or short-circuited wire	Make sure that the wire on each sensor is connected.
3	Icemaker Kit malfunction		When ejector blades don't reach park position over 18 minutes after harvest mode starts.	Check HALL IC/MOTOR/ HEATER/RELAY

ERROR indicators in table can be checked only in TEST mode.

# 8. CIRCUIT OF MICOM (DRAWER TYPE MODELS)

## 8-1 FUNCTION

### 8-1-1 Function

1. When the appliance is plugged in, it is set to "4" for Refrigerator and "4" for freezer.  
You can adjust the Refrigerator and the Freezer control temperature by pressing the ADJUST button.
2. When the power is initially applied or restored after a power failure, it is automatically set to "4" & "4".

\*Note: To ERROR CODE on display panel refer to page 41.



### 8-1-2 How to toggle the Display between °F & °C

1. The display temperature mode can be changed from °F to °C or °C to °F by pressing and holding the COLDER FREEZER TEMP and the COLDER REFRIGERATOR TEMP keys at the same time for over one second.
2. The initial setting is °F. Whenever the mode is changed, the appropriate LED is it.

### 8-1-3 Control of freezer fan motor

1. Freezer fan motor has high and standard RPMs.
2. High RPM is used when electricity is first on, for ULTRA ICE, and when refrigerator is overloaded.  
But standard RPM is used for general purposes.
3. To improve cooling speed and load corresponding speed, the RPM of freezer fan motor shall change from normal speed to high speed.
4. High speed (2500RPM) : Initial power on or load corresponding operation, ULTRA ICE.  
Normal speed (2200 RPM): general working conditions.
5. Fan motor stops when refrigerator or freezer door opens.

### 8-1-4 ULTRA ICE

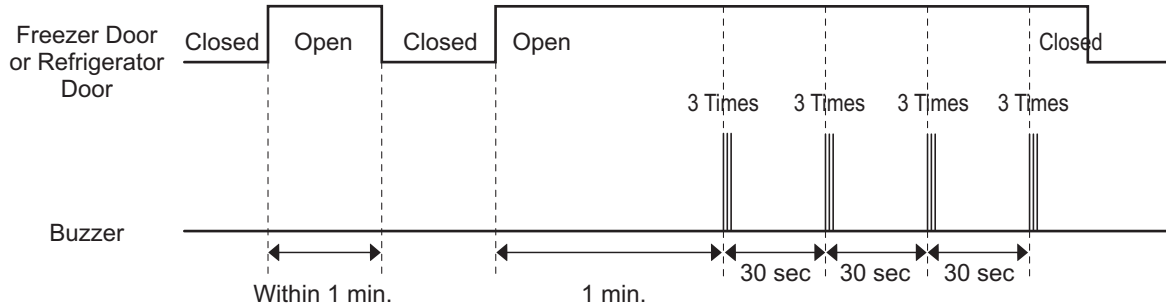
1. The purpose of this function is to intensify the cooling speed of freezer and to increase the amount of ice.
2. Whenever selection switch is pressed, selection/release, the LED will turn ON or OFF.
3. If there is a power cut and the refrigerator is power on again, ULTRA ICE function will be canceled.
4. To activate these function you need to press the ULTRA ICE key and the LED will turn ON. This function will remain activated for 24 hrs. The first three hours the compressor and ULTRA ICE will be ON. The next 21 hours the freezer will be controlled at the lowest temperature. After 24 hours or if the ULTRA ICE key is pressed again, the freezer will return to its previous temperature.
5. For the first three hours notice the following cases:
  - (1) Compressor and freezer fan(HIGH RPM) continuously operate for three hours.
  - (2) If defrost starts during ULTRA ICE, ULTRA ICE operates for the rest of time after defrost is completed, when ULTRA ICE operation time is less than 90 minutes.  
If ULTRA ICE operates for more than 90minutes, the ULTRA ICE will operate for two hours after defrost is completed.
  - (3) If ULTRA ICE is pressed during defrost, ULTRA ICE LED is on but this function will start seven minutes after defrost is completed and it shall operate for three hours.
  - (4) If ULTRA ICE is selected within seven minutes after compressor has stopped, the compressor (compressor delays seven minutes) shall start after the balance of the delay time.
  - (5) The fan motor in the freezer compartment rotates at high speed during ULTRA ICE.
6. For the rest of 21 hours, the freezer will be controlled at the lowest temperature.

### 8-1-5 Refrigerator Lamp Auto Off

1. To protect the risk of lamp heat, when Refrigerator door opens for 7 min., refrigerator lamp is auto off.

### 8-1-6 Alarm for Open Door

1. This feature sounds a buzzer when the freezer or refrigerator door is not closed within 1 minute after it is opened.
2. One minute after the door is opened, the buzzer sounds three times each for 1/2 seconds. These tones repeat every 30 seconds.
3. The alarm is cancelled when the freezer or the refrigerator is closed while the buzzer sounds.



### 8-1-7 Buzzer Sound

When the button on the front Display is pushed, a Ding~ Dong~ sound is produced.

### 8-1-8 Defrosting (removing frost)

1. Defrosting starts each time the COMPRESSOR running time reaches 7 hours.
2. For initial power on or for restoring power, defrosting starts when the compressor running time reaches 4 hours.
3. Defrosting stops if the sensor temperature reaches 46.4°F(8°C) or more. If the sensor doesn't reach 46.4°F(8°C) in 2 hours, the defrost mode is malfunctioning. (Refer to the defect diagnosis function, 8-1-10.)
4. Defrosting won't function if its sensor is defective (wires are cut or short circuited)

### 8-1-9 Electrical Parts Are Turned On Sequentially

Electrical parts such as COMP, defrosting heater, freezer FAN, etc. are turned on in the following order to prevent noise and parts damage. Several parts are started at the same time at initial power on and are turned off together when TEST is completed.

OPERATING		ORDERS				
Initial power on	Temperature of Defrosting Sensor is 45°C or more (when unit is newly purchased or when moved)	<b>POWER ON</b>	in 1/2 second →	<b>COMP ON</b>	in 1/2 second →	<b>Freezer FAN ON</b>
	Temperature of defrosting sensor is lower than 45°C (when power cuts, SERVICE)	<b>POWER ON</b>	in 1/2 second →	<b>Defrosting heater ON</b>	in 10 second →	<b>Defrosting heater OFF</b>
		in 1/2 second →	<b>COMP ON</b>	in 1/2 second →	<b>Freezer FAN ON</b>	
Reset to normal operation from TEST MODE		<b>Total load OFF</b>	in 7 minute →	<b>COMP ON</b>	in 1/2 second →	<b>Freezer FAN ON</b>

## 8-1-10 Defect Diagnosis Function

1. Automatic diagnosis makes servicing the refrigerator easy.
2. When a defect occurs, the buttons will not operate; but the tones, such as ding, will sound.
3. When the defect CODE removes the sign, it returns to normal operation (RESET).
4. The defect CODE shows on the Refrigerator and Freezer Display.



### ERROR CODE on display panel

NO	ITEM	ERROR CODE		CONTENTS	REMARKS
		①	②		
1	Failure of freezer sensor	Er	FS	Cut or short circuit wire	Inspect Connecting wires on each sensor
2	Failure of refrigerator sensor	Er	rS	Cut or short circuit wire	
3	Failure of defrost sensor	Er	dS	Cut or short circuit wire	
4	Failure of defrost mode	Er	dH	When defrost sensor does not reach 8°C within 1 hour after starting defrost.	Snapping of defrost heater or temperature fuse, pull-out of connector (indicated minimum 2 hours after failure occurs)
5	Failure of BLDC fan motor at freezing compartment.	Er	FF	If there is no fan motor signal for more than 115sec in operation fan motor	Poor motor, hooking to wires of fan, contact of structures to fan, snapping or short circuit of Lead wires.

\*LED check function: If simultaneously pressing the Cold key of refrigerator Temp and the Cold key of freezer temperature for a second, all display LED graphics on. If releasing the button, the LED graphics displays the previous status.

## 8-1-11 TEST Mode

1. The Test mode allows checking the PCB and the function of the product as well as finding out the defective part in case of an error.
2. The test mode is operated by pressing two buttons on the Display panel.
3. While in the test mode, the function control button is not recognized, but the recognition tone (beep~) sounds.
4. After exiting the test mode, be sure to reset by unplugging and then plugging in the appliance.
5. If an error, such as a sensor failure, is detected while in the test mode, the test mode is cleared and the error code is displayed.
6. While an error code is displayed, the test mode will not be activated.

MODE	OPERATION	CONTENTS	REMARKS
TEST1	Push ULTRA ICE & COLDER (F) KEYS for 3sec. Or Push TEST switch (on the main Board) once.  <Cooling MODE>	1. Continuous operation of the COMPRESSOR 2. Continuous operation of the freezer fan 3. STEPPING DAMPER OPEN 4. Defrosting Heater OFF 5. Every DISPLAY LED ON	Maximum test time: 5 minutes
TEST2	Push ULTRA ICE & COLDER (F) KEY for 3sec. In TEST MODE or Push TEST switch once in TEST MODE 1 <Forced defrosting MODE>	1. COMP OFF 2. Freezer FAN OFF 3. STEPPING DAMPER CLOSE 4. Defrosting heater ON 5. Display LED shows 222	Maximum test time: 2 hours. Reset if the temperature Of the defrosting sensor is 8°C (46°F) or more.
Return to Normal	On TEST 2 press ULTRA ICE & COLDER (F) KEY for 3 sec.	Return to initial status (COMP 7 min delay)	

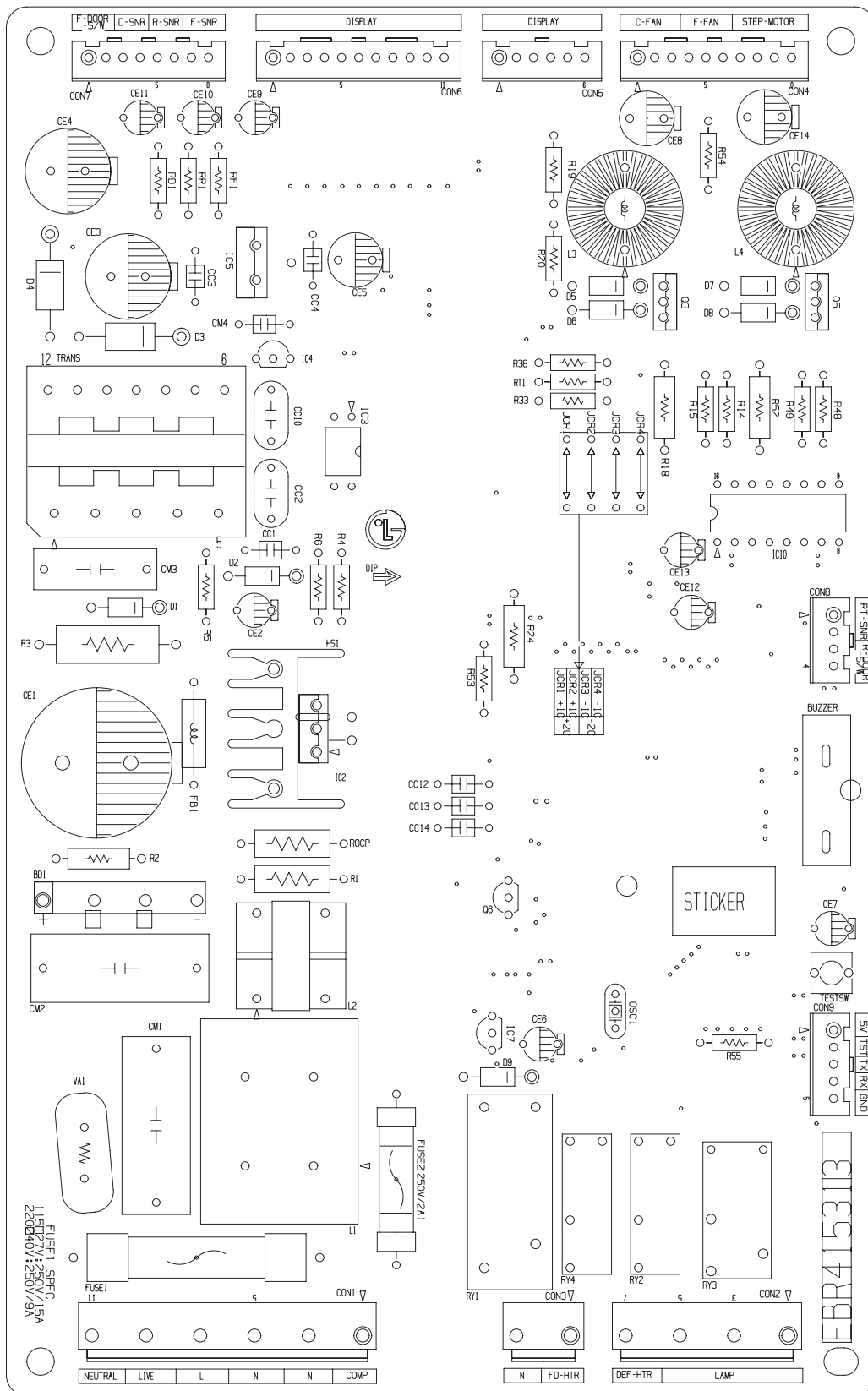
### \* Freezer Fan RPM Variable Check:

If the freezer fan is in operation when the COLD REFRIGERATOR TEMP KEY & COLD FREEZER TEMP KEY are pressed for more than one second at the same time then the freezer fan RPM changes, (for example if high speed, to normal speed or if normal speed, to high speed for 30 seconds)  
After 30 seconds, it turns to its original RPM.

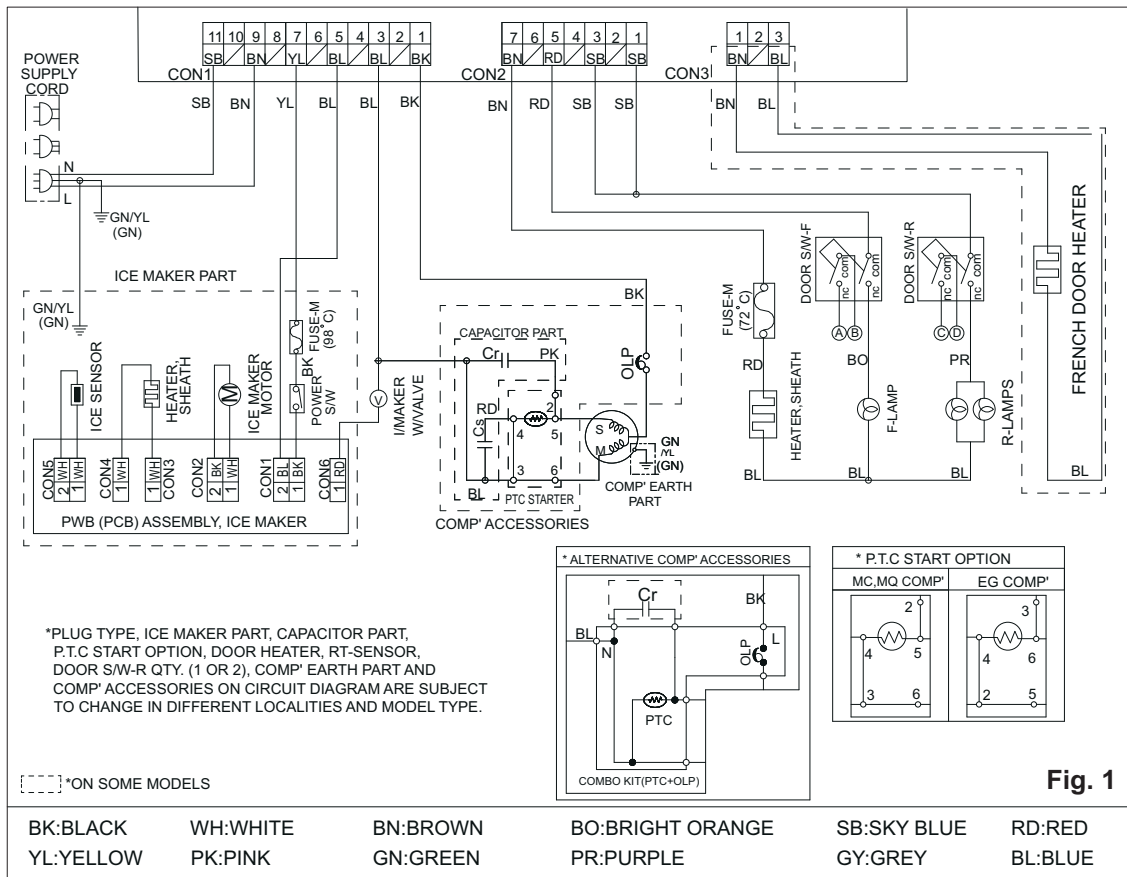
### \* Demonstration (Display) MODE:

1. To enter this mode, raise either the Refrigerator or Freezer temperature to its highest setting. Then, press that Cold key and hold for about 5 seconds..
2. The LED panels will display OFF, to indicate that the compressor, circulating fan , damper, and defrost heater are not operating.
3. The Open Door Alarm and the Lamp Auto-Off feature will work normally and can be demonstrated.
4. To reset to normal operation, press and hold either Cold Key for about 5 seconds.

# 8-2 PCB FUNCTION



## 8-2-1 Power Circuit



## 8-2-2 Load and Door Light Circuit (HV)

### 1. Load Drive Condition Check

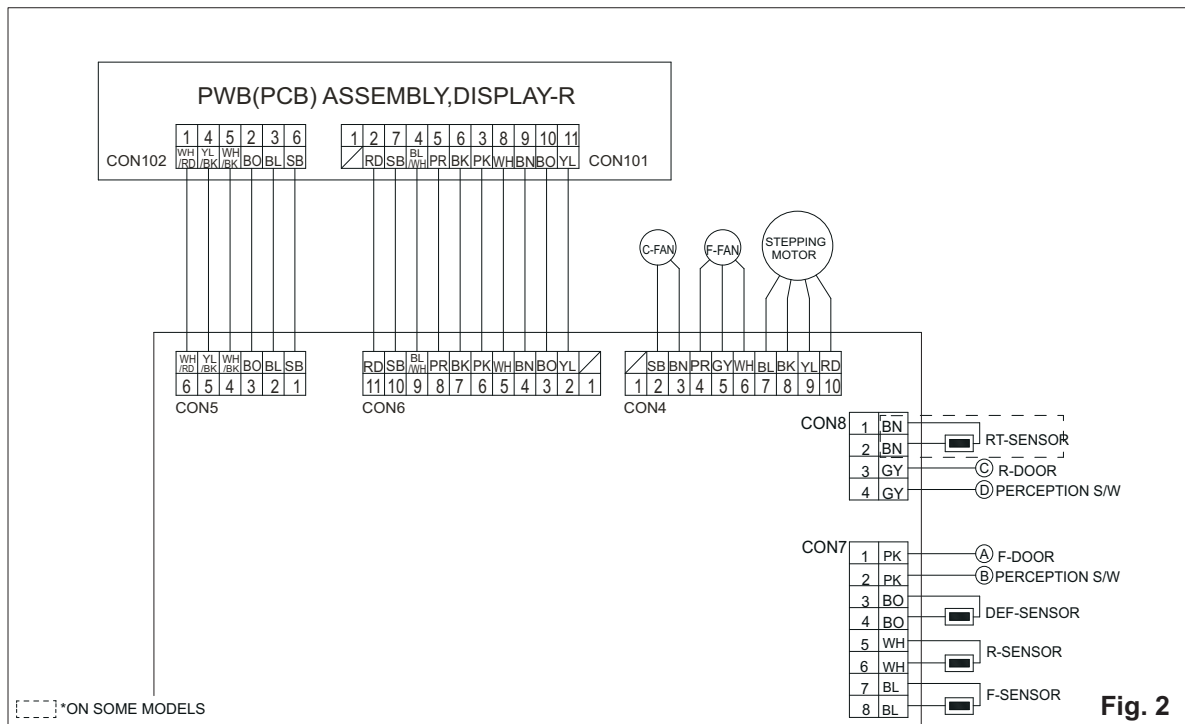
To measure outputs of the control board, check voltages between the pins for the following components: (Refer to Fig. 1).

Circuit	Pin Number	Pin Number	Output Voltage
Compressor	Con 1 Pin 1	Con 1 Pin 3	115 VAC
Defrost Heater	Con 2 Pin 7	Con 1 Pin 3	115 VAC
F Lamp	Con 2 Pin 5	Con 1 Pin 3	115 VAC
R Lamp	Con 2 Pin 1 and/or 3	Con 1 Pin 3	115 VAC

Connector 1						
Pin	11	9	7	5	3	1
	N	L	I/M Power SW	N	N	COMP

Connector 2				
Pin	7	5	3	1
	Def Heater	F Lamp	R Lamp	

NOTE: When the door of the refrigerator is left open for 7 minutes or longer, the lamp of the refrigerator turns off automatically.



## 2. Door Monitor Circuit (LV)

Refrigerator	Pin Number	Pin Number	Voltage
F Door Close	Con 7 Pin 1	Con 7 Pin 2	5 Volts
F Door Open	Con 7 Pin 1	Con 7 Pin 2	0 Volts
R Door Close	Con 8 Pin 3	Con 8 Pin 4	5 Volts
R Door Open	Con 8 Pin 3	Con 8 Pin 4	0 Volts

Connector 8				
Pin	4	3	2	1
	R-Door S/W	NC	NC	

### 8-2-3 Temperature Sensor Circuit (Refer to Figure 2)

Voltage supplied to each sensor will range between 0.5 volts -22°F(-30°C) and 4.5 volts 122°F(50°C) depending upon the temperature in the compartments. A measurement of 0 volts indicates a short in the sensor circuit. A measurement of 5 volts indicates an open in the sensor circuit.

Connector 7								
Pin	8	7	6	5	4	3	2	1
	F-Sensor		R-Sensor		D-Sensor		F-Door S/W	

To measure the outputs of the sensors, check the voltages between the pins as in the table. And refer the values in the section "RESISTANCE SPECIFICATION OF SENSOR"

Sensor	Pin Number	Pin Number
F-Sensor	Con 7 Pin 8	Con 7 Pin 7
R-Sensor	Con 7 Pin 6	Con 7 Pin 5
D-Sensor	Com 7 Pin 4	Con 7 Pin 3

To measure the outputs of the fans on the control boards check the voltages between the pins for the following components:

FAN	Pin Number	Pin Number	Output Voltage	
			Motor On	Motor Off
Freezer Fan	Con 4 Pin 5	Con 4 Pin 6	10-14 VDC	2 VDC or less
Cooling Fan	Con 4 Pin 2	Con 4 Pin 3	10-14 VDC	2 VDC or less

Connector 4										
Pin	10	9	8	7	6	5	4	3	2	1
	Stepping Motor				F-Fan			C-Fan		NC
					V	G	F	V	G	NC

### 8-3 RESISTANCE SPECIFICATION OF SENSOR

TEMPERATURE DETECTED SENSOR	RESISTANCE OF FREEZER SENSOR	RESISTANCE OF REFRIGERATOR DEFROST SENSOR & ROOM SENSOR
-20°C	22.3 KΩ	77 KΩ
-15°C	16.9 KΩ	60 KΩ
-10°C	13.0 KΩ	47.3 KΩ
-5°C	10.1 KΩ	38.4 KΩ
0°C	7.8 KΩ	30 KΩ
+5°C	6.2 KΩ	24.1 KΩ
+10°C	4.9 KΩ	19.5 KΩ
+15°C	3.9 KΩ	15.9 KΩ
+20°C	3.1 KΩ	13 KΩ
+25°C	2.5 KΩ	11 KΩ
+30°C	2.0 KΩ	8.9 KΩ
+40°C	1.4 KΩ	6.2 KΩ
+50°C	0.8 KΩ	4.3 KΩ

- The resistance of the SENSOR has a ±5% common difference.
- Measure the resistance of the SENSOR after leaving it for over 3 minutes in the measuring temperature. This delay is necessary due to sensor response speed.

# 9. CIRCUIT OF MICOM (SWING TYPE MODELS)

## 9-1 FUNCTION

### 9-1-1 Function

1. When the appliance is plugged in, it is set to "4" for Refrigerator and "4" for freezer.  
You can adjust the Refrigerator and the Freezer control temperature by pressing the ADJUST button.
2. When the power is restored after a power failure, it is automatically set to last setting selected.

\*Note: To ERROR CODE on display panel refer to page 49.



### 9-1-2 Control of freezer fan motor

1. Freezer fan motor has high and standard RPMs.
2. High RPM is used when electricity is first on, for ULTRA ICE, and when refrigerator is overloaded.  
But standard RPM is used for general purposes.
3. To improve cooling speed and load corresponding speed, the RPM of freezer fan motor shall change from normal speed to high speed.
4. High speed (2500RPM) : Initial power on or load corresponding operation, ULTRA ICE.  
Normal speed (2200 RPM): general working conditions.
5. Fan motor stops when refrigerator or freezer door opens.

### 9-1-3 ULTRA ICE

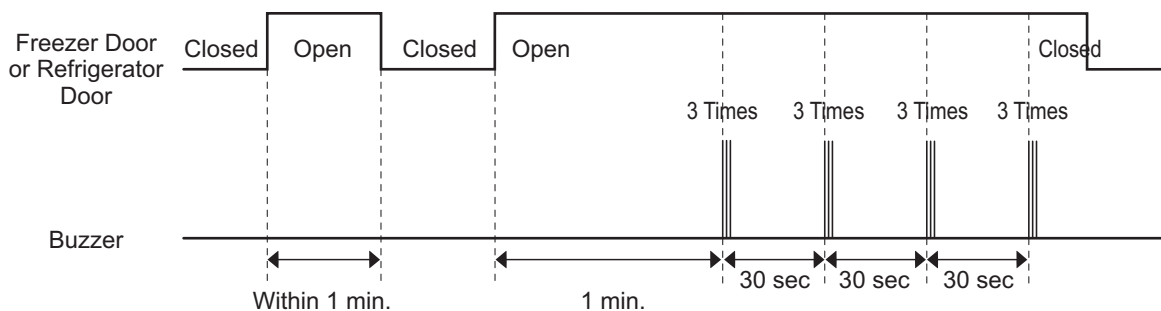
1. The purpose of this function is to intensify the cooling speed of freezer and to increase the amount of ice.
2. Whenever selection switch is pressed, selection/release, the LED will turn ON or OFF.
3. If there is a power cut and the refrigerator is power on again, ULTRA ICE function will be canceled.
4. To activate these function you need to press the ULTRA ICE key and the LED will turn ON. This function will remain activated for 24 hrs. The first three hours the compressor and ULTRA ICE will be ON. The next 21 hours the freezer will be controlled at the lowest temperature. After 24 hours or if the ULTRA ICE key is pressed again, the freezer will return to its previous temperature.
5. For the first three hours notice the following cases:
  - (1) Compressor and freezer fan(HIGH RPM) continuously operate for three hours.
  - (2) If defrost starts during ULTRA ICE, ULTRA ICE operates for the rest of time after defrost is completed, when ULTRA ICE operation time is less than 90 minutes.  
If ULTRA ICE operates for more than 90minutes, the ULTRA ICE will operate for two hours after defrost is completed.
  - (3) If ULTRA ICE is pressed during defrost, ULTRA ICE LED is on but this function will start seven minutes after defrost is completed and it shall operate for three hours.
  - (4) If ULTRA ICE is selected within seven minutes after compressor has stopped, the compressor (compressor delays seven minutes) shall start after the balance of the delay time.
  - (5) The fan motor in the freezer compartment rotates at high speed during ULTRA ICE.
6. For the rest of 21 hours, the freezer will be controlled at the lowest temperature.

### 9-1-4 Refrigerator Lamp Auto Off

1. To protect the risk of lamp heat, when Refrigerator door opens for 7 min, refrigerator lamp is auto off.

### 9-1-5 Alarm for Open Door

1. This feature sounds a buzzer when the freezer or refrigerator door is not closed within 1 minute after it is opened.
2. One minute after the door is opened, the buzzer sounds three times each for 1/2 seconds. These tones repeat every 30 seconds.
3. The alarm is cancelled when the freezer or the refrigerator is closed while the buzzer sounds.



### 9-1-6 Buzzer Sound

When the button on the front Display is pushed, a Ding~ Dong~ sound is produced.

### 9-1-7 Defrosting (removing frost)

1. Defrosting starts each time the COMPRESSOR running time reaches 7 hours.
2. For initial power on or for restoring power, defrosting starts when the compressor running time reaches 4 hours.
3. Defrosting stops if the sensor temperature reaches 46.4°F(8°C) or more. If the sensor doesn't reach 46.4°F(8°C) in 2 hours, the defrost mode is malfunctioning. (Refer to the defect diagnosis function, 9-1-9.)
4. Defrosting won't function if its sensor is defective (wires are cut or short circuited)

### 9-1-8 Electrical Parts Are Turned On Sequentially

Electrical parts such as COMP, defrosting heater, freezer FAN, etc. are turned on in the following order to prevent noise and parts damage. Several parts are started at the same time at initial power on and are turned off together when TEST is completed.

OPERATING		ORDERS				
Initial power on	Temperature of Defrosting Sensor is 45°C or more (when unit is newly purchased or when moved)	<b>POWER ON</b>	in 1/2 second →	<b>COMP ON</b>	in 1/2 second →	<b>Freezer FAN ON</b>
	Temperature of defrosting sensor is lower than 45°C (when power cuts, SERVICE)	<b>POWER ON</b>	in 1/2 second →	<b>Defrosting heater ON</b>	in 10 second →	<b>Defrosting heater OFF</b>
		in 1/2 second →	<b>COMP ON</b>	in 1/2 second →	<b>Freezer FAN ON</b>	
	Reset to normal operation from TEST MODE	<b>Total load OFF</b>	in 7 minute →	<b>COMP ON</b>	in 1/2 second →	<b>Freezer FAN ON</b>

### 9-1-9 Defect Diagnosis Function

1. Automatic diagnosis makes servicing the refrigerator easy.
2. When a defect occurs, the buttons will not operate; but the tones. such as ding. will sound.
3. When the defect CODE removes the sign, it returns to normal operation (RESET).
4. The defect CODE shows on the Refrigerator and Freezer Display.



**ERROR CODE on display panel**      ● LED OFF   ● LED ON   ○

NO	ITEM	ERROR CODE		CONTENTS	REMARKS
		LED OFF	LED ON		
1	Failure of freezer sensor	All off	● ○ ○ ○ ○ ○ ○ ○	Cut or short circuit wire	Inspect Connecting wires on each sensor
2	Failure of Refrigerator sensor	All off	○ ● ○ ○ ○ ○ ○ ○	Cut or short circuit wire	
3	Failure of defrost sensor	All off	○ ○ ● ○ ○ ○ ○ ○	Cut or short circuit wire	
4	Poor of defrost	All off	● ● ● ● ○ ○ ○	2 hours later after starting defrost, If sensor doesn't be over 46°F (8°C)	Snapping of defrost heater or temperature fuse, pull out of connector (indicated minimum 2 hours after
5	Failure of BLDC fan motor at freezing compartment	All off	● ● ● ● ● ○ ○	If there is no fan motor signal, for more than 65s. In operation fan motor	Poor motor, hocking to wires of fan, contact of structures to fan, snapping or short lead.

### 9-1-10 TEST Mode

1. The Test mode allows checking the PCB and the function of the product as well as finding out the defective part in case of an error.
2. The test mode is operated by pressing two buttons at Display panel.
3. While in the test mode, the function control button is not recognized, but the recognition tone (beep~) sounds.
4. After exiting the test mode, be sure to reset by unplugging and then plugging in the appliance.
5. If an error, such as a sensor failure, is detected while in the test mode, the test mode is cleared and the error code is displayed.
6. While an error code is displayed, the test mode will not be activated.

MODE	MANIPULATION	CONTENTS	REMARKS
TEST1	Push ULTRA ICE key and ADJUST key of Freezer Temperature at the same time over 3 seconds.	<ol style="list-style-type: none"> <li>1. Continuous operation of the COMPRESSOR</li> <li>2. Continuous operation of the freezer fan</li> <li>3. STEPPING DAMPER OPEN</li> <li>4. Defrosting Heater OFF</li> <li>5. Every DISPLAY LED ON</li> </ol>	
TEST2	Push ULTRA ICE key and ADJUST key of Freezer Temperature at the same time over 3 seconds in TEST MODE 1	<ol style="list-style-type: none"> <li>1. COMP OFF</li> <li>2. Freezer FAN OFF</li> <li>3. STEPPING DAMPER CLOSE</li> <li>4. Defrosting heater ON</li> <li>5. DISPLAY LED 1, 3, 5, 7 ON</li> </ol>	Reset if the temperature of the Defrosting sensor is 46°F (8°C) or more.
Reset	Push ULTRA ICE key and ADJUST key of Freezer Temp. at the same time over 3 seconds. in TEST MODE 2	Reset to the previously setting before TEST MODE	The compressor will Start after a 7-minute delay.

**NOTE :** LED CHECK MODE: When the refrigerator temperature control and the freezer temperature control button at the same time are hold for 1 second or longer, every LED on the display turns on at the same time. when the button are released, the previous mode is restored.

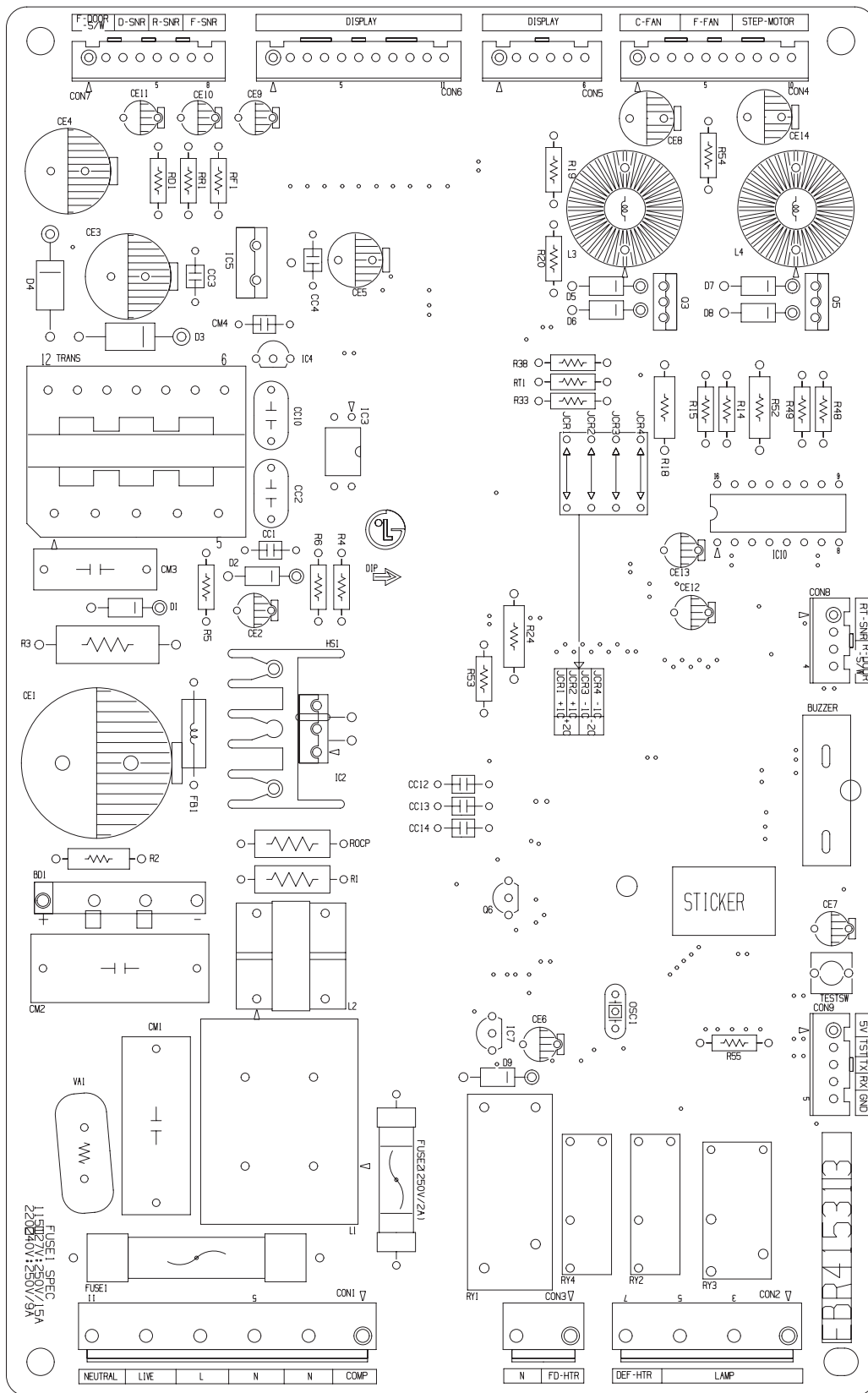
\* Freezer Fan RPM Variable Check:

In case the freezer fan is in operation when the ADJUST key in Refrigerator and Freezer Temp. Control are pressed for more than one second at the same time freezer fan RPM changes. (for example if high speed, to normal speed or if normal speed, to high speed for 30 seconds)  
After 30 seconds, it turns to its original RPM.

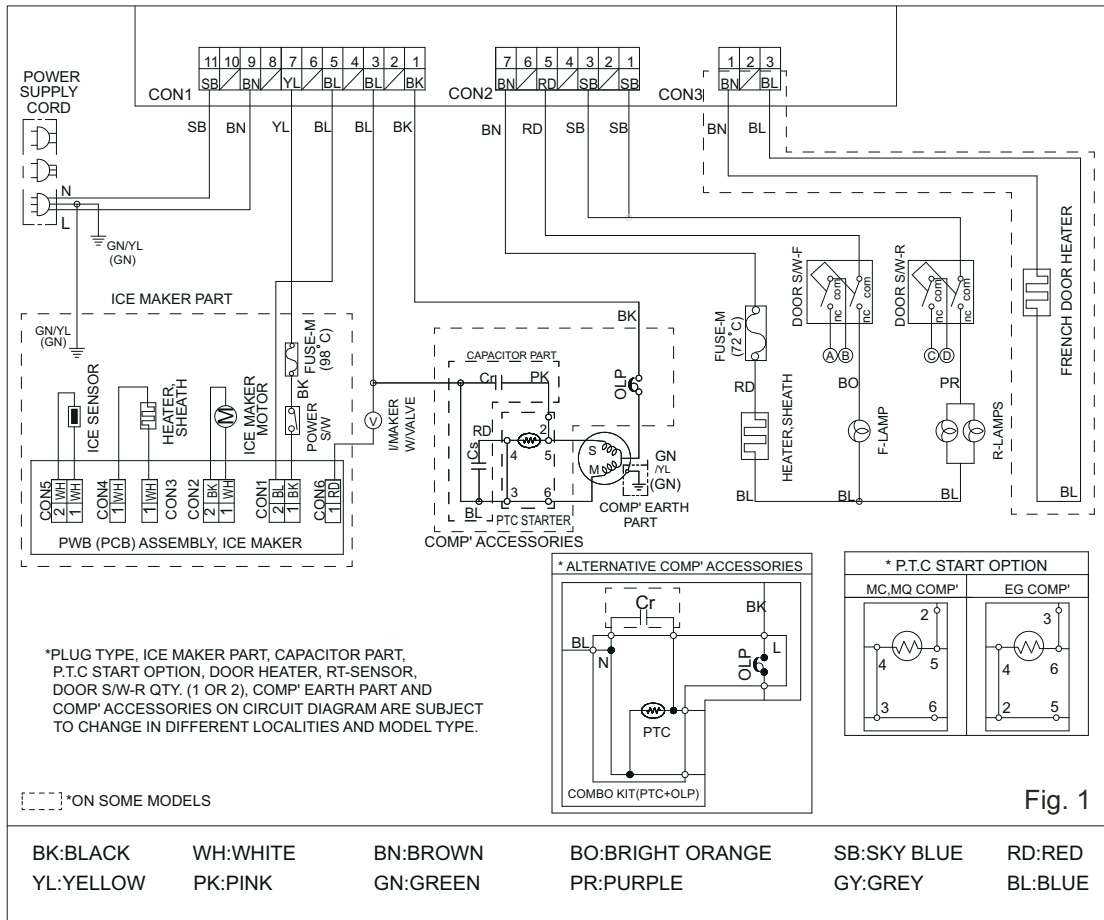
\* Demonstration MODE:

1. When the ULTRA ICE key and ADJUST key of refrigerator temperature control are pressed for more than 3 seconds at the same time temperature's it converts to demonstration mode.
2. In this status, each LED is rotated with 1 second interval.
3. In this status, all Loads are off (Compressor / Fan / Damper / Heater)  
(Even is Demonstration Mode, the refrigerator Lamp automatic off function works normally and can be demonstrated)
4. It reset if you do again as clause.

# 9-2 PCB FUNCTION



## 9-2-1 Power Circuit



## 9-2-2 Load and Door Light Circuit (HV)

### 1. Load Drive Condition Check

To measure outputs of the control board, check voltages between the pins for the following components: (Refer to Fig. 1).

Circuit	Pin Number	Pin Number	Output Voltage
Compressor	Con 1 Pin 1	Con 1 Pin 3	115 VAC
Defrost Heater	Con 2 Pin 7	Con 1 Pin 3	115 VAC
F Lamp	Con 2 Pin 5	Con 1 Pin 3	115 VAC
R Lamp	Con 2 Pin 1 and/or 3	Con 1 Pin 3	115 VAC

Connector 1						
Pin	11	9	7	5	3	1
	N	L	I/M Power SW	N	N	COMP

Connector 2			
Pin	7	5	3 1
	Def Heater	F Lamp	R Lamp

NOTE: When the door of the refrigerator is left open for 7 minutes or longer, the lamp of the refrigerator turns off automatically.

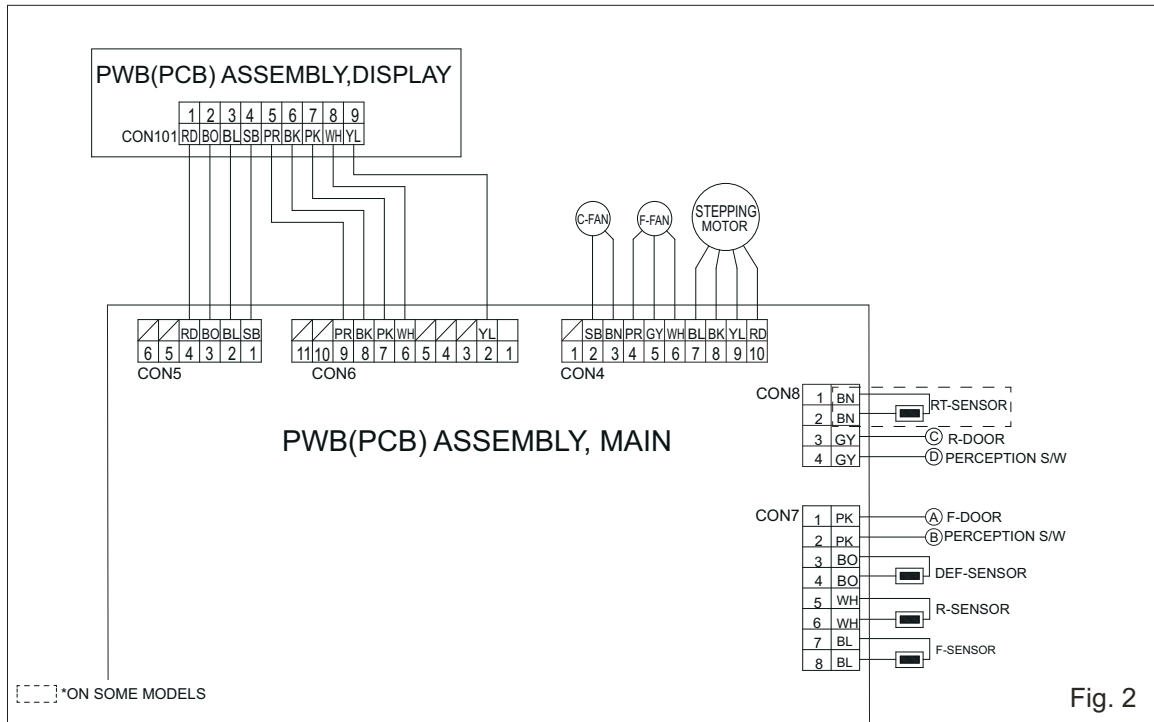


Fig. 2

## 2. Door Monitor Circuit (LV)

Refrigerator	Pin Number	Pin Number	Voltage
F Door Close	Con 7 Pin 1	Con 7 Pin 2	5 Volts
F Door Open	Con 7 Pin 1	Con 7 Pin 2	0 Volts
R Door Close	Con 8 Pin 3	Con 8 Pin 4	5 Volts
R Door Open	Con 8 Pin 3	Con 8 Pin 4	0 Volts

Connector 8				
Pin	4	3	2	1
	R-Door S/W		NC	NC

### 9-2-3 Temperature Sensor Circuit (Refer to Figure 2)

Voltage supplied to each sensor will range between 0.5 volts -22°F(-30°C) and 4.5 volts 122°F(50°C) depending upon the temperature in the compartments. A measurement of 0 volts indicates a short in the sensor circuit. A measurement of 5 volts indicates an open in the sensor circuit.

Connector 7								
Pin	8	7	6	5	4	3	2	1
	F-Sensor		R-Sensor		D-Sensor		F-Door S/W	

To measure the outputs of the sensors, check the voltages between the pins as in the table. And refer the values in the section "RESISTANCE SPECIFICATION OF SENSOR"

Sensor	Pin Number	Pin Number
F-Sensor	Con 7 Pin 8	Con 7 Pin 7
R-Sensor	Con 7 Pin 6	Con 7 Pin 5
D-Sensor	Com 7 Pin 4	Con 7 Pin 3

To measure the outputs of the fans on the control boards check the voltages between the pins for the following components:

FAN	Pin Number	Pin Number	Output Voltage	
			Motor On	Motor Off
Freezer Fan	Con 4 Pin 5	Con 4 Pin 6	10-14 VDC	2 VDC or less
Cooling Fan	Con 4 Pin 2	Con 4 Pin 3	10-14 VDC	2 VDC or less

Connector 4										
Pin	10	9	8	7	6	5	4	3	2	1
	Stepping Motor				F-Fan			C-Fan		NC
					V	G	F	V	G	NC

### 9-3 RESISTANCE SPECIFICATION OF SENSOR

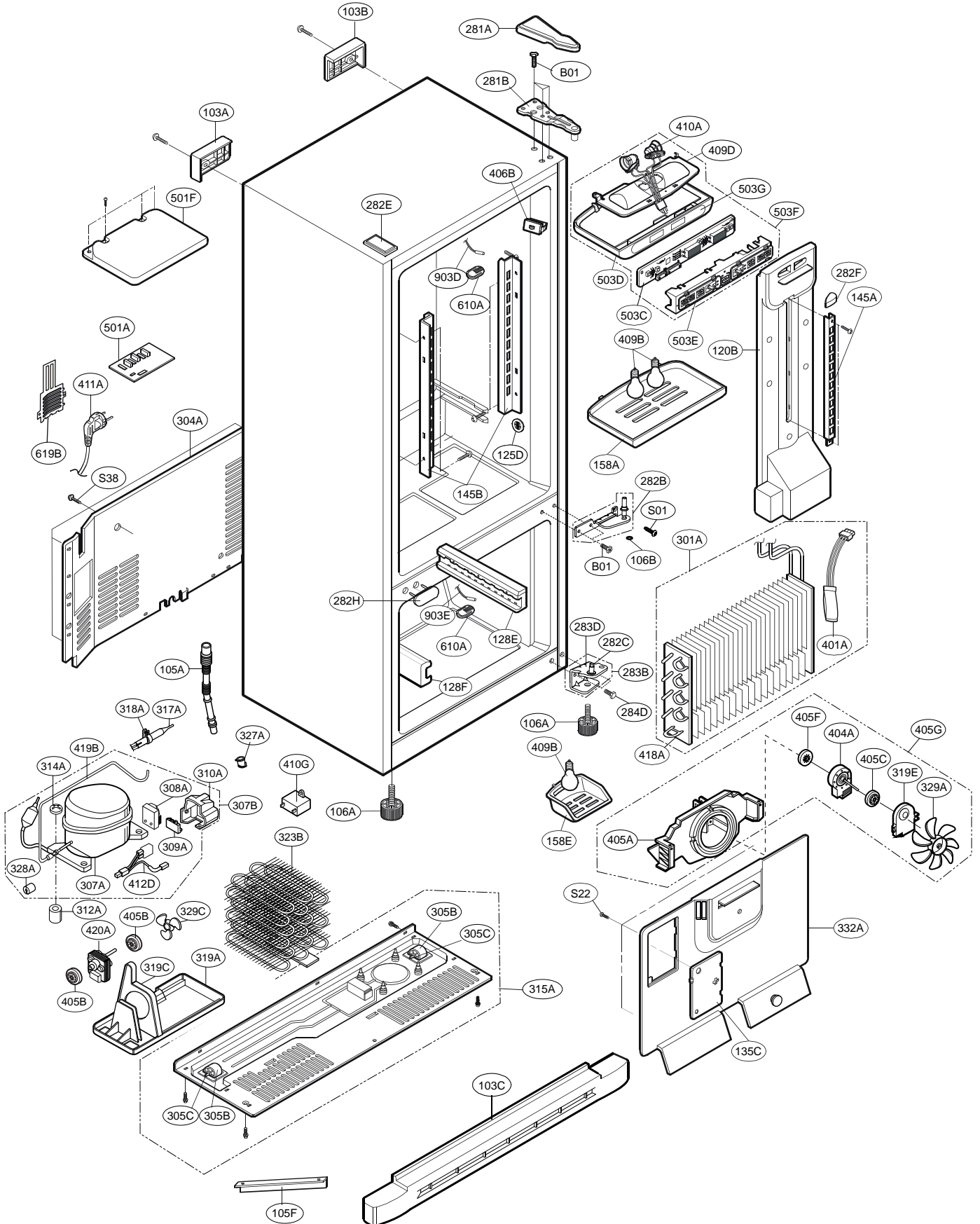
TEMPERATURE DETECTED SENSOR	RESISTANCE OF FREEZER SENSOR	RESISTANCE OF REFRIGERATOR DEFROST SENSOR & ROOM SENSOR
-20°C	22.3 KΩ	77 KΩ
-15°C	16.9 KΩ	60 KΩ
-10°C	13.0 KΩ	47.3 KΩ
-5°C	10.1 KΩ	38.4 KΩ
0°C	7.8 KΩ	30 KΩ
+5°C	6.2 KΩ	24.1 KΩ
+10°C	4.9 KΩ	19.5 KΩ
+15°C	3.9 KΩ	15.9 KΩ
+20°C	3.1 KΩ	13 KΩ
+25°C	2.5 KΩ	11 KΩ
+30°C	2.0 KΩ	8.9 KΩ
+40°C	1.4 KΩ	6.2 KΩ
+50°C	0.8 KΩ	4.3 KΩ

- The resistance of the SENSOR has a ±5% common difference.
- Measure the resistance of the SENSOR after leaving it for over 3 minutes in the measuring temperature. This delay is necessary due to sensor response speed.

# 9. EXPLODED VIEW & REPLACEMENT PART LIST

## CASE PARTS

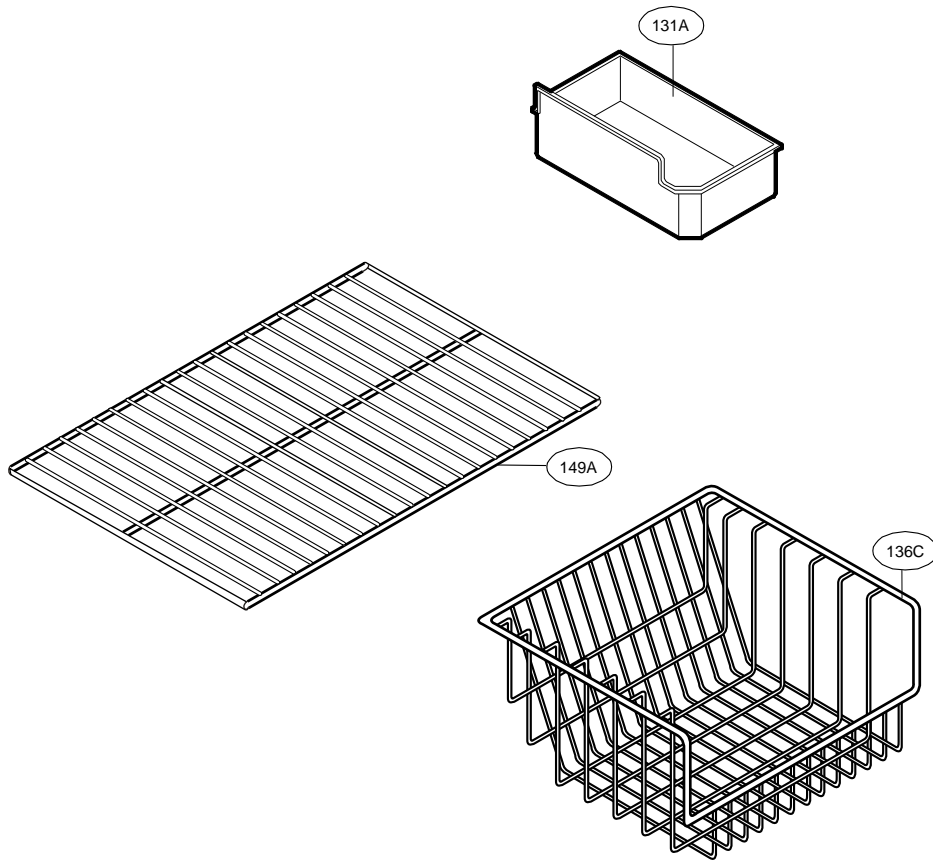
Caution: Use the part number to order part, not the position number.



---

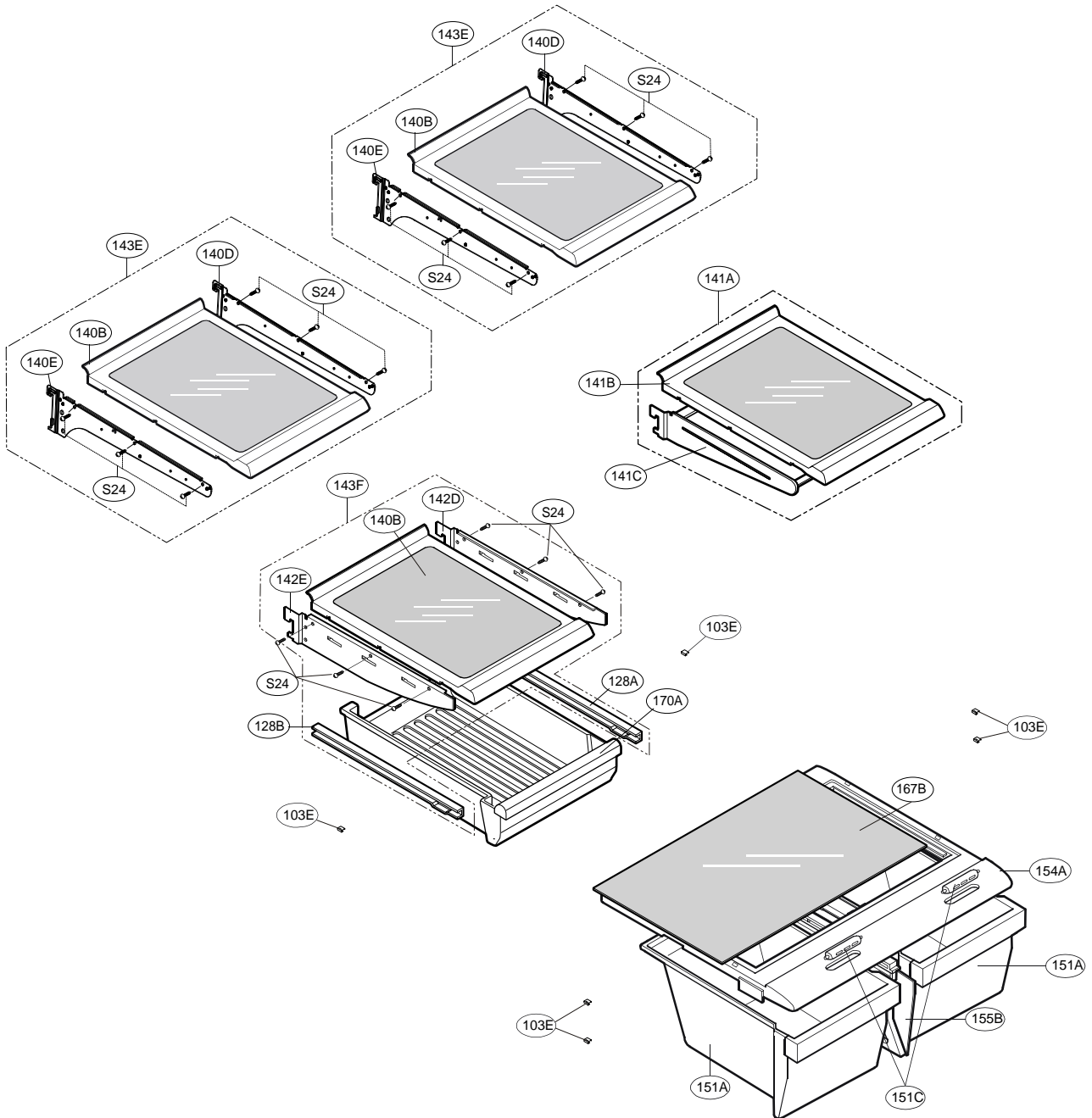
## FREEZER PARTS

Caution: Use the part number to order part, not the position number.



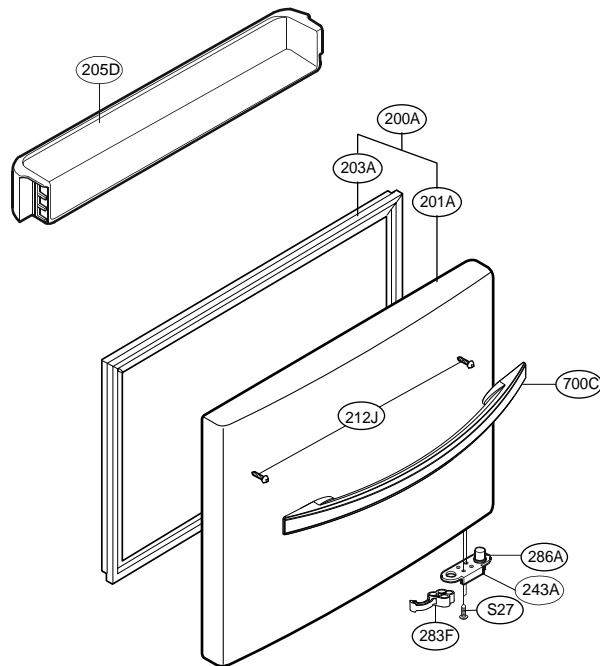
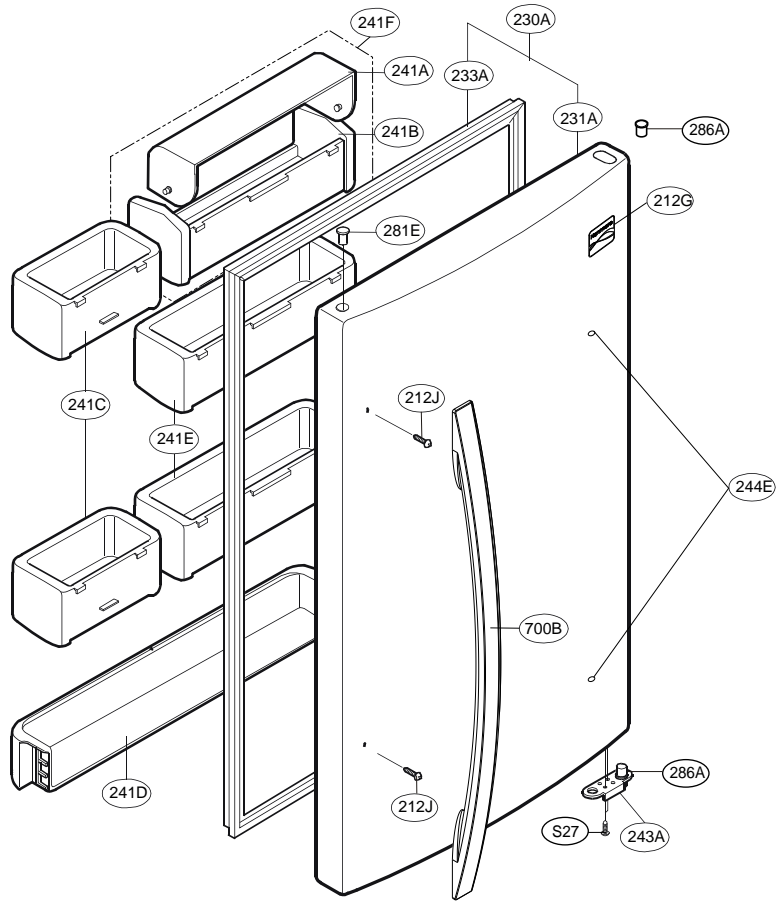
## REFRIGERATOR PARTS

Caution: Use the part number to order part, not the position number.



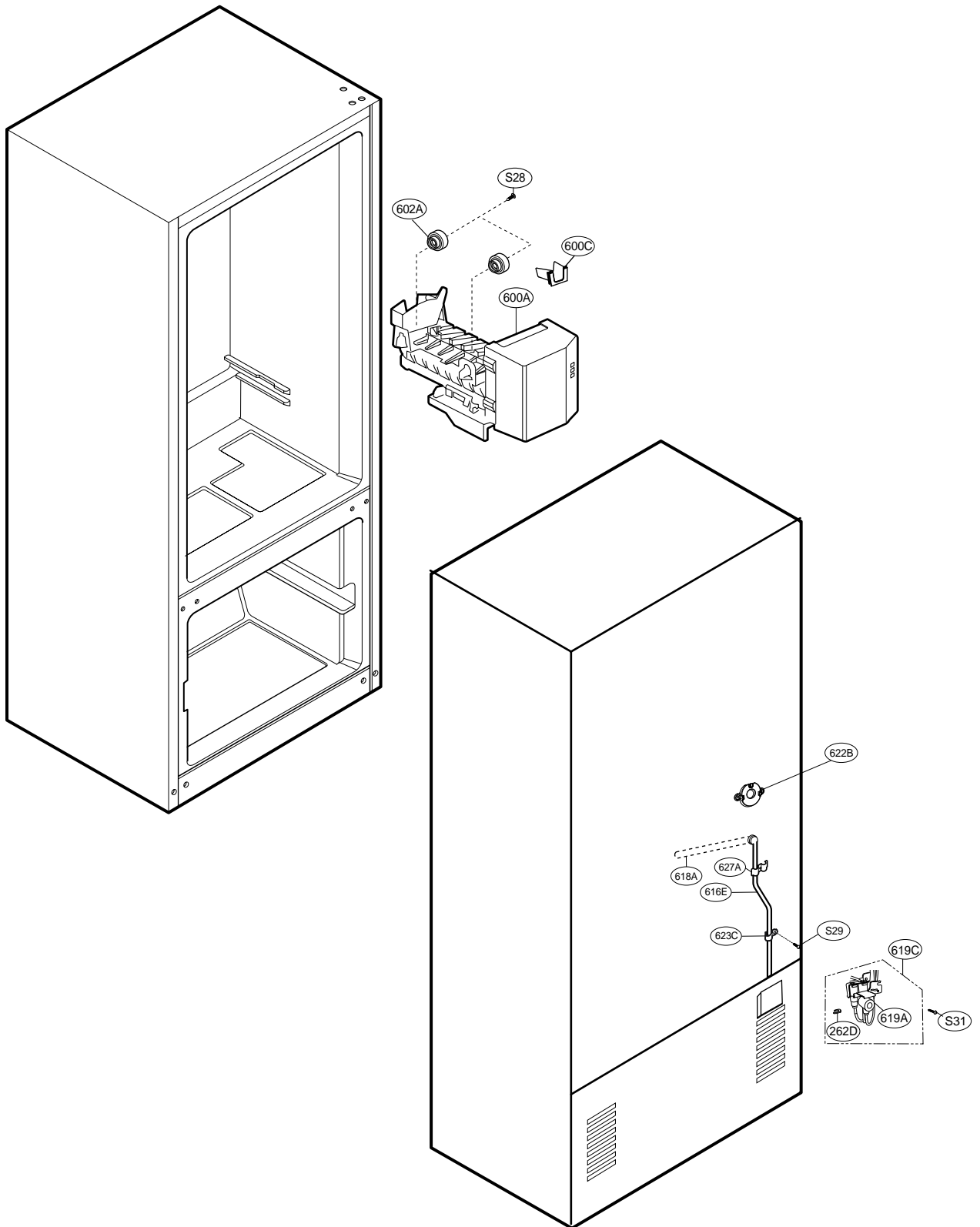
**DOOR PARTS**

Caution: Use the part number to order part, not the position number.



## WATER & ICEMAKER PARTS

Caution: Use the part number to order part, not the position number.



Loc No.	Part No.	Description	Loc No.	Part No.	Description
103A	3650JJ2003E	Handle,Rear	305C	4J04238A	Pin,Common
103B	3650JJ2003A	Handle,Rear	307A	TCA32196201	Compressor,Set Assembly
103C	3550JJ0005A	Cover,Lower	307B	ACF67062306	Compressor Assembly
103E	5218JJ3001A	Rail,Slide	308A	EBG32606502	Thermistor Assembly,PTC
105A	5251JA3003B	Tube Assembly,Drain	309A	6750C-0005P	Overload Protect
105F	5070JJ3002A	Skirt,Lower	310A	3550JA2042C	Cover,PTC
106A	4779JA2003A	Leg Assembly,Adjust	312A	5040JA3031A	Damper,Compressor
106B	4J00382C	Washer,Common	314A	4620JA3015A	Stopper,Compressor
120B	5209JJ1002A	Duct Assembly,Multi	315A	3103JJ1001Y	Base Assembly,Compressor
125D	4930JJ3007A	Holder,Bracket	317A	5851JA2007E	Drier Assembly
128A	4975JJ2002A	Guide Assembly,Rail	318A	4930JA3034A	Holder,Drier
128B	4975JJ2002B	Guide Assembly,Rail	319A	3390JJ0004A	Tray,Drip
128E	4975JJ2009A	Guide Assembly,Rail	319C	MEA41997401	Guide,Fan
128F	4975JJ2009B	Guide Assembly,Rail	319E	4810JJ2005A	Bracket,Motor
131A	5074JJ1017A	Bucket,Ice	323B	5403JJ1008A	Condenser Assembly,Wire
135C	3550JJ2030A	Cover,Grille Fan	327A	5006JA3034A	Cap,Drain Tube
136C	3390JJ1058A	Tray,Drawer	328A	4J03020A	Damper,Pipe
140B	5027JJ1037C	Shelf Assembly,Refrigerator	329A	5901JJ1005A	Fan Assembly
140D	MHL38615403	Shelf,Net	329C	ADP36665702	Fan Assembly
140E	MHL38615404	Shelf,Net	332A	3531JJ1004B	Grille Assembly,Fan
141A	5027JJ1014Q	Shelf Assembly,Refrigerator	401A	6615JB2005C	Controller Assembly
141B	5027JJ1036C	Shelf Assembly,Refrigerator	404A	4681JB1027N	Motor,DC
141C	5027JJ2005S	Shelf Assembly,Net	405A	4811JJ2002A	Bracket Assembly,Motor
142D	5026JJ2001L	Shelf,Net	405B	5040JJ2001A	Damper,Motor Support
142E	5026JJ2001M	Shelf,Net	405C	5040JA2009B	Damper,Motor Support
143E	AHT72974101	Shelf Assembly,Refrigerator	405F	5040JA2004B	Damper,Motor Support
143F	AHT72974105	Shelf Assembly,Refrigerator	405G	4811JJ2002K	Bracket Assembly,Motor
145A	4930JJ2003A	Holder,Shelf	406B	6600JB1010A	Switch,Push Button
145B	4930JJ2004A	Holder,Shelf	409B	6912JK2002C	Lamp,Incandescent
149A	5026JJ1058A	Shelf,Freezer	409D	3034JJ1002B	Reflector,Lamp
151A	3390JJ1032A	Tray,Vegetable	410A	6621JK2003B	Harness Assembly
151C	4940JJ2003D	Knob,Shutter	410G	0CZZJB2012J	Capacitor,Electric Appliance Film,Box
154A	MCK63206401	Cover,TV	411A	6411JK1006A	Power Cord Assembly
155B	4980JJ1016A	Supporter,Cover TV	412D	6877JK2011D	Harness Assembly
158A	3550JJ1040A	Cover,Lamp	418A	5300JB1100D	Heater,Sheath
158E	MCK30060901	Cover,Lamp	419B	5200JJ3003E	Pipe,Joint
167B	MHL61972601	Shelf,Glass	420A	4681JB1027P	Motor,DC
170A	3391JJ2004G	Tray Assembly,Meat	501A	EBR41531310	PCB Assembly,Main
200A	ADC73046205	Door Assembly,Freezer	501F	3551JJ1020A	Cover Assembly,PCB
201A	ADD72976405	Door Foam Assembly,Freezer	503C	6871JB2047A	PCB Assembly,Display
203A	4987JJ1004C	Gasket Assembly,Door	503D	3110JJ1005A	Case,Display
205D	5004JJ1041A	Basket,Door	503E	3550JJ2031A	Cover,Display
212G	MFT61866203	Name Plate	503F	ABQ33905318	Case Assembly,Display
212J	4620JJ3007E	Stopper,Handle	503G	MCR62352701	Decor,Control
230A	ADC73026005	Door Assembly,Refrigerator	600A	AEQ57518209	Ice Maker Assembly,Kit
231A	ADD72977205	Door Foam Assembly,Refrigerator	600C	MEA32865501	Guide,Tube
233A	4987JJ1004D	Gasket Assembly,Door	602A	4931JA3005B	Holder Assembly,Bracket
241A	3550JJ1024A	Cover,Tray	610A	3550JJ2020A	Cover,Sensor
241B	5004JJ1035A	Basket,Door	616E	5211JA2003B	Tube Assembly,Inject
241C	5004JJ1030A	Basket,Door	618A	5210JJ3006B	Tube,Inject
241D	5004JJ0002A	Basket,Door	619A	5220JA2009D	Valve,Water
241E	5004JJ1028A	Basket,Door	619B	3550JJ2024A	Cover,Valve
241F	5005JJ2009E	Basket Assembly,Door	619C	AJU55759301	Valve Assembly,Water
243A	4620JJ3006A	Stopper,Door	622B	MJH36429401	Supporter,Tube Guide
244E	5006JJ3016A	Cap,Handle	623C	4770JA3001A	Band
262D	4004JA3002A	Clip	627A	4930JA3054A	Holder,Pipe
281A	3550JJ2013A	Cover,Hinge	700B	AED72912504	Handle Assembly,Refrigerator
281B	4775JJ2003B	Hinge Assembly,Upper	700C	AED72952903	Handle Assembly,Freezer
281E	5006JJ3014A	Cap,Hinge	903D	6500JK1003A	Sensor,Temperature
282B	4775JJ8002F	Hinge Assembly,Center	903E	6500JK1004A	Sensor,Temperature
282C	1PZZJJ3002F	Pin,Common	B01	1STZJA3004F	Screw,Customized
282E	5006JJ2001A	Cap,Hinge	LE	MEZ62592101	Label,Energy
282F	3806JL2006L	Decor,Duct	OM	MFL63283801	Manual,Owners
282H	5006JJ3004A	Cap,Hinge	S01	1SZZJJ3010A	Screw,Customized
283B	4775JJ2007B	Hinge Assembly,Lower	S22	J471-00001J	Screw,Customized
283D	4774JJ2002A	Hinge,Lower	S24	1SZZJA3011B	Screw,Customized
283F	MJB36873201	Stopper,Door	S27	4J01424C	Screw,Customized
284D	1STZJA3004K	Screw,Customized	S28	1SZZJJ3005E	Screw,Customized
286A	4984JJ3003A	Bush	S29	4J00415D	Screw,Customized
301A	5421JJ1001A	Evaporator Assembly	S31	4000W4A003A	Screw,Customized
304A	3551JJ2008A	Cover Assembly,Machinery(Rear)	S38	4J00415D	Screw,Customized
305B	4580JJ3001A	Roller	TS	MBM62277103	Card,Instruction

Loc No.	Part No.	Description	Loc No.	Part No.	Description
103A	3650JJ2003F	Handle,Rear	305C	4J04238A	Pin,Common
103B	3650JJ2003B	Handle,Rear	307A	TCA32196201	Compressor,Set Assembly
103C	3550JJ0005B	Cover,Lower	307B	ACF67062306	Compressor Assembly
103E	5218JJ3001A	Rail,Slide	308A	EBG32606502	Thermistor Assembly,PTC
105A	5251JA3003B	Tube Assembly,Drain	309A	6750C-0005P	Overload Protect
105F	5070JJ3002A	Skirt,Lower	310A	3550JA2042C	Cover,PTC
106A	4779JA2003A	Leg Assembly,Adjust	312A	5040JA3031A	Damper,Compressor
106B	4J00382C	Washer,Common	314A	4620JA3015A	Stopper,Compressor
120B	5209JJ1002A	Duct Assembly,Multi	315A	3103JJ1001Y	Base Assembly,Compressor
125D	4930JJ3007A	Holder,Bracket	317A	5851JA2007E	Drier Assembly
128A	4975JJ2002A	Guide Assembly,Rail	318A	4930JA3034A	Holder,Drier
128B	4975JJ2002B	Guide Assembly,Rail	319A	3390JJ0004A	Tray,Drip
128E	4975JJ2009A	Guide Assembly,Rail	319C	MEA41997401	Guide,Fan
128F	4975JJ2009B	Guide Assembly,Rail	319E	4810JJ2005A	Bracket,Motor
131A	5074JJ1017A	Bucket,Ice	323B	5403JJ1008A	Condenser Assembly,Wire
135C	3550JJ2030A	Cover,Grille Fan	327A	5006JA3034A	Cap,Drain Tube
136C	3390JJ1058A	Tray,Drawer	328A	4J03020A	Damper,Pipe
140B	5027JJ1037C	Shelf Assembly,Refrigerator	329A	5901JJ1005A	Fan Assembly
140D	MHL38615403	Shelf,Net	329C	ADP36665702	Fan Assembly
140E	MHL38615404	Shelf,Net	332A	3531JJ1004B	Grille Assembly,Fan
141A	5027JJ1014Q	Shelf Assembly,Refrigerator	401A	6615JB2005C	Controller Assembly
141B	5027JJ1036C	Shelf Assembly,Refrigerator	404A	4681JB1027N	Motor,DC
141C	5027JJ2005S	Shelf Assembly,Net	405A	4811JJ2002A	Bracket Assembly,Motor
142D	5026JJ2001L	Shelf,Net	405B	5040JJ2001A	Damper,Motor Support
142E	5026JJ2001M	Shelf,Net	405C	5040JA2009B	Damper,Motor Support
143E	AHT72974101	Shelf Assembly,Refrigerator	405F	5040JA2004B	Damper,Motor Support
143F	AHT72974105	Shelf Assembly,Refrigerator	405G	4811JJ2002K	Bracket Assembly,Motor
145A	4930JJ2003A	Holder,Shelf	406B	6600JB1010A	Switch,Push Button
145B	4930JJ2004A	Holder,Shelf	409B	6912JK2002C	Lamp,Incandescent
149A	5026JJ1058A	Shelf,Freezer	409D	3034JJ1002B	Reflector,Lamp
151A	3390JJ1032A	Tray,Vegetable	410A	6621JK2003B	Harness Assembly
151C	4940JJ2003D	Knob,Shutter	410G	0CZZJB2012J	Capacitor,Electric Appliance Film,Box
154A	MCK63206401	Cover,TV	411A	6411JK1006A	Power Cord Assembly
155B	4980JJ1016A	Supporter,Cover TV	412D	6877JK2011D	Harness Assembly
158A	3550JJ1040A	Cover,Lamp	418A	5300JB1100D	Heater,Sheath
158E	MCK30060901	Cover,Lamp	419B	5200JJ3003E	Pipe,Joint
167B	MHL61972601	Shelf,Glass	420A	4681JB1027P	Motor,DC
170A	3391JJ2004G	Tray Assembly,Meat	501A	EBR41531310	PCB Assembly,Main
200A	ADC73046200	Door Assembly,Freezer	501F	3551JJ1020A	Cover Assembly,PCB
201A	ADD72976406	Door Foam Assembly,Freezer	503C	6871JB2047A	PCB Assembly,Display
203A	4987JJ1004C	Gasket Assembly,Door	503D	3110JJ1005A	Case,Display
205D	5004JJ1041A	Basket,Door	503E	3550JJ2031A	Cover,Display
212G	MFT61866204	Name Plate	503F	ABQ33905318	Case Assembly,Display
212J	4620JJ3007E	Stopper,Handle	503G	MCR62352701	Decor,Control
230A	ADC73026006	Door Assembly,Refrigerator	600A	AEQ57518209	Ice Maker Assembly,Kit
231A	ADD72977206	Door Foam Assembly,Refrigerator	600C	MEA32865501	Guide,Tube
233A	4987JJ1004D	Gasket Assembly,Door	602A	4931JA3005B	Holder Assembly,Bracket
241A	3550JJ1024A	Cover,Tray	610A	3550JJ2020A	Cover,Sensor
241B	5004JJ1035A	Basket,Door	616E	5211JA2003B	Tube Assembly,Inject
241C	5004JJ1030A	Basket,Door	618A	5210JJ3006B	Tube,Inject
241D	5004JJ0002A	Basket,Door	619A	5220JA2009D	Valve,Water
241E	5004JJ1028A	Basket,Door	619B	3550JJ2024A	Cover,Valve
241F	5005JJ2009E	Basket Assembly,Door	619C	AJU55759301	Valve Assembly,Water
243A	4620JJ3006B	Stopper,Door	622B	MJH36429401	Supporter,Tube Guide
244E	5006JJ3016B	Cap,Handle	623C	4770JA3001A	Band
262D	4004JA3002A	Clip	627A	4930JA3054A	Holder,Pipe
281A	3550JJ2013B	Cover,Hinge	700B	AED72912506	Handle Assembly,Refrigerator
281B	4775JJ2003B	Hinge Assembly,Upper	700C	AED72952904	Handle Assembly,Freezer
281E	5006JJ3014B	Cap,Hinge	903D	6500JK1003A	Sensor,Temperature
282B	4775JJ8002D	Hinge Assembly,Center	903E	6500JK1004A	Sensor,Temperature
282C	1PZZJJ3002F	Pin,Common	B01	1STZJA3004F	Screw,Customized
282E	5006JJ2001E	Cap,Hinge	LE	MEZ62592101	Label,Energy
282F	3806JL2006L	Decor,Duct	OM	MFL63283801	Manual,Owners
282H	5006JJ3004D	Cap,Hinge	S01	1SZZJJ3010A	Screw,Customized
283B	4775JJ2007B	Hinge Assembly,Lower	S22	J471-00001J	Screw,Customized
283D	4774JJ2002A	Hinge,Lower	S24	1SZZJA3011B	Screw,Customized
283F	MJB36873201	Stopper,Door	S27	4J01424C	Screw,Customized
284D	1STZJA3004K	Screw,Customized	S28	1SZZJJ3005E	Screw,Customized
286A	4984JJ3003A	Bush	S29	4J00415D	Screw,Customized
301A	5421JJ1001A	Evaporator Assembly	S31	4000W4A003A	Screw,Customized
304A	3551JJ2008A	Cover Assembly,Machinery(Rear)	S38	4J00415D	Screw,Customized
305B	4580JJ3001A	Roller	TS	MBM62277103	Card,Instruction

Loc No.	Part No.	Description	Loc No.	Part No.	Description
103A	3650JJ2003M	Handle,Rear	305C	4J04238A	Pin,Common
103B	3650JJ2003L	Handle,Rear	307A	TCA32196201	Compressor,Set Assembly
103C	3550JJ0005C	Cover,Lower	307B	ACF67062306	Compressor Assembly
103E	5218JJ3001A	Rail,Slide	308A	EBG32606502	Thermistor Assembly,PTC
105A	5251JA3003B	Tube Assembly,Drain	309A	6750C-0005P	Overload Protect
105F	5070JJ3002A	Skirt,Lower	310A	3550JA2042C	Cover,PTC
106A	4779JA2003A	Leg Assembly,Adjust	312A	5040JA3031A	Damper,Compressor
106B	4J00382C	Washer,Common	314A	4620JA3015A	Stopper,Compressor
120B	5209JJ1002A	Duct Assembly,Multi	315A	3103JJ1001Y	Base Assembly,Compressor
125D	4930JJ3007A	Holder,Bracket	317A	5851JA2007E	Drier Assembly
128A	4975JJ2002A	Guide Assembly,Rail	318A	4930JA3034A	Holder,Drier
128B	4975JJ2002B	Guide Assembly,Rail	319A	3390JJ0004A	Tray,Drip
128E	4975JJ2009A	Guide Assembly,Rail	319C	MEA41997401	Guide,Fan
128F	4975JJ2009B	Guide Assembly,Rail	319E	4810JJ2005A	Bracket,Motor
131A	5074JJ1017A	Bucket,Ice	323B	5403JJ1008A	Condenser Assembly,Wire
135C	3550JJ2030A	Cover,Grille Fan	327A	5006JA3034A	Cap,Drain Tube
136C	3390JJ1058A	Tray,Drawer	328A	4J03020A	Damper,Pipe
140B	5027JJ1037C	Shelf Assembly,Refrigerator	329A	5901JJ1005A	Fan Assembly
140D	MHL38615403	Shelf,Net	329C	ADP36665702	Fan Assembly
140E	MHL38615404	Shelf,Net	332A	3531JJ1004B	Grille Assembly,Fan
141A	5027JJ1014Q	Shelf Assembly,Refrigerator	401A	6615JB2005C	Controller Assembly
141B	5027JJ1036C	Shelf Assembly,Refrigerator	404A	4681JB1027N	Motor,DC
141C	5027JJ2005S	Shelf Assembly,Net	405A	4811JJ2002A	Bracket Assembly,Motor
142D	5026JJ2001L	Shelf,Net	405B	5040JJ2001A	Damper,Motor Support
142E	5026JJ2001M	Shelf,Net	405C	5040JA2009B	Damper,Motor Support
143E	AHT72974101	Shelf Assembly,Refrigerator	405F	5040JA2004B	Damper,Motor Support
143F	AHT72974105	Shelf Assembly,Refrigerator	405G	4811JJ2002K	Bracket Assembly,Motor
145A	4930JJ2003A	Holder,Shelf	406B	6600JB1010A	Switch,Push Button
145B	4930JJ2004A	Holder,Shelf	409B	6912JK2002C	Lamp,Incandescent
149A	5026JJ1058A	Shelf,Freezer	409D	3034JJ1002B	Reflector,Lamp
151A	3390JJ1032A	Tray,Vegetable	410A	6621JK2003B	Harness Assembly
151C	4940JJ2003D	Knob,Shutter	410G	0CZZJB2012J	Capacitor,Electric Appliance Film,Box
154A	MCK63206401	Cover,TV	411A	6411JK1006A	Power Cord Assembly
155B	4980JJ1016A	Supporter,Cover TV	412D	6877JK2011D	Harness Assembly
158A	3550JJ1040A	Cover,Lamp	418A	5300JB1100D	Heater,Sheath
158E	MCK30060901	Cover,Lamp	419B	5200JJ3003E	Pipe,Joint
167B	MHL61972601	Shelf,Glass	420A	4681JB1027P	Motor,DC
170A	3391JJ2004G	Tray Assembly,Meat	501A	EBR41531310	PCB Assembly,Main
200A	ADC73046207	Door Assembly,Freezer	501F	3551JJ1020A	Cover Assembly,PCB
201A	ADD72976407	Door Foam Assembly,Freezer	503C	6871JB2047A	PCB Assembly,Display
203A	4987JJ1004G	Gasket Assembly,Door	503D	3110JJ1005A	Case,Display
205D	5004JJ1041A	Basket,Door	503E	3550JJ2031A	Cover,Display
212G	MFT61866206	Name Plate	503F	ABQ33905318	Case Assembly,Display
212J	4620JJ3007E	Stopper,Handle	503G	MCR62352701	Decor,Control
230A	ADC73026007	Door Assembly,Refrigerator	600A	AEQ57518209	Ice Maker Assembly,Kit
231A	ADD72977207	Door Foam Assembly,Refrigerator	600C	MEA32865501	Guide,Tube
233A	4987JJ1004H	Gasket Assembly,Door	602A	4931JA3005B	Holder Assembly,Bracket
241A	3550JJ1024A	Cover,Tray	610A	3550JJ2020A	Cover,Sensor
241B	5004JJ1035A	Basket,Door	616E	5211JA2003B	Tube Assembly,Inject
241C	5004JJ1030A	Basket,Door	618A	5210JJ3006B	Tube,Inject
241D	5004JJ0002A	Basket,Door	619A	5220JA2009D	Valve,Water
241E	5004JJ1028A	Basket,Door	619B	3550JJ2024A	Cover,Valve
241F	5005JJ2009E	Basket Assembly,Door	619C	AJU55759301	Valve Assembly,Water
243A	4620JJ3006C	Stopper,Door	622B	MJH36429401	Supporter,Tube Guide
244E	5006JJ3016C	Cap,Handle	623C	4770JA3001A	Band
262D	4004JA3002A	Clip	627A	4930JA3054A	Holder,Pipe
281A	3550JJ2013C	Cover,Hinge	700B	AED72912505	Handle Assembly,Refrigerator
281B	4775JJ2003B	Hinge Assembly,Upper	700C	AED72952902	Handle Assembly,Freezer
281E	5006JJ3014C	Cap,Hinge	903D	6500JK1003A	Sensor,Temperature
282B	4775JJ8002E	Hinge Assembly,Center	903E	6500JK1004A	Sensor,Temperature
282C	1PZZJJ3002F	Pin,Common	B01	1STZJA3004F	Screw,Customized
282E	5006JJ2001F	Cap,Hinge	LE	MEZ62592101	Label,Energy
282F	3806JL2006L	Decor,Duct	OM	MFL63283801	Manual,Owners
282H	5006JJ3004E	Cap,Hinge	S01	1SZZJJ3010A	Screw,Customized
283B	4775JJ2007B	Hinge Assembly,Lower	S22	J471-00001J	Screw,Customized
283D	4774JJ2002A	Hinge,Lower	S24	1SZZJA3011B	Screw,Customized
283F	MJB36873202	Stopper,Door	S27	4J01424C	Screw,Customized
284D	1STZJA3004K	Screw,Customized	S28	1SZZJJ3005E	Screw,Customized
286A	4984JJ3003A	Bush	S29	4J00415D	Screw,Customized
301A	5421JJ1001A	Evaporator Assembly	S31	4000W4A003A	Screw,Customized
304A	3551JJ2008A	Cover Assembly,Machinery(Rear)	S38	4J00415D	Screw,Customized
305B	4580JJ3001A	Roller	TS	MBM62277103	Card,Instruction

# Get it fixed, at your home or ours!

## Your Home

For expert troubleshooting and home solutions advice:

**manage my home**

[www.managemyhome.com](http://www.managemyhome.com)

For repair – **in your home** – of **all** major brand appliances, lawn and garden equipment, or heating and cooling systems, **no matter who made it, no matter who sold it!**

For the replacement parts, accessories and owner's manuals that you need to do-it-yourself.

For Sears professional installation of home appliances and items like garage door openers and water heaters.

**1-800-4-MY-HOME®**

(1-800-469-4663)

[www.sears.com](http://www.sears.com)

Call anytime, day or night

(U.S.A. and Canada)

[www.sears.ca](http://www.sears.ca)

## Our Home

For repair of carry-in items like vacuums, lawn equipment, and electronics, call anytime for the location of the nearest

**Sears Parts & Repair Service Center**

**1-800-488-1222** (U.S.A.)

[www.sears.com](http://www.sears.com)

**1-800-469-4663** (Canada)

[www.sears.ca](http://www.sears.ca)

To purchase a protection agreement on a product serviced by Sears:

**1-800-827-6655** (U.S.A.)

**1-800-361-6665** (Canada)

Para pedir servicio de reparación a domicilio, y para ordenar piezas:

**1-888-SU-HOGAR®**

(1-888-784-6427)

Au Canada pour service en français:

**1-800-LE-FOYER<sup>MC</sup>**

(1-800-533-6937)

[www.sears.ca](http://www.sears.ca)

# Sears

© Sears Brands, LLC

® Registered Trademark / <sup>TM</sup> Trademark / <sup>SM</sup> Service Mark of Sears Brands, LLC

® Marca Registrada / <sup>TM</sup> Marca de Fábrica / <sup>SM</sup> Marca de Servicio de Sears Brands, LLC

<sup>MC</sup> Marque de commerce / <sup>MD</sup> Marque déposée de Sears Brands, LLC

MFL62078206