

This Owner's Manual is provided and hosted by [Appliance Factory Parts](#).



LG LRDN20724ST Owner's Manual

[Shop genuine replacement parts for LG LRDN20724ST](#)



[Find Your LG Refrigerator Parts - Select From 834 Models](#)

----- Manual continues below -----



LG

REFRIGERATOR

SERVICE MANUAL

CAUTION
BEFORE SERVICING THE UNIT,
READ THE SAFETY PRECAUTIONS IN THIS MANUAL.

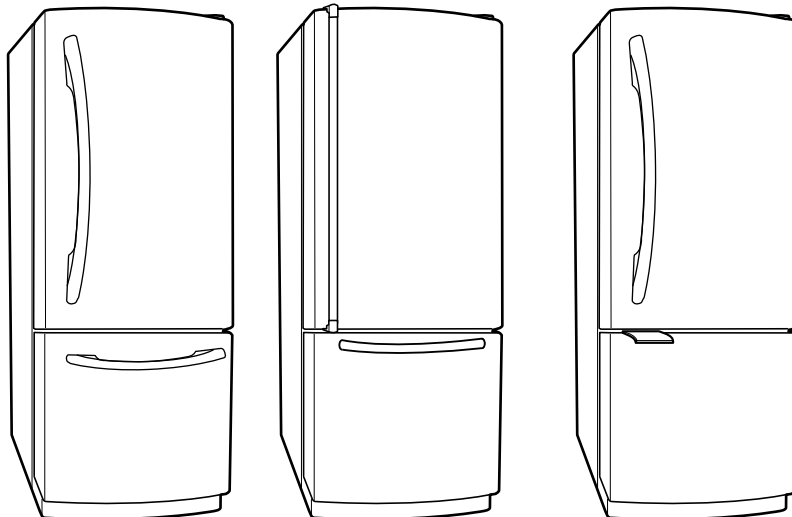
MODEL:

LRDC22734**

LRDN22712**

LRDN20724**

LRDC22744**



CONTENTS

SAFETY PRECAUTIONS	2
SPECIFICATIONS	3
PARTS IDENTIFICATION	4-7
DISASSEMBLY	8-9
DOOR.....	8
DOOR SWITCH.....	8
FAN AND FAN MOTOR.....	9
DEFROST CONTROL ASSEMBLY.....	9
LAMP.....	9
CONTROL BOX-REFRIGERATOR.....	9
MULTI DUCT.....	9
ADJUSTMENT	10-11
COMPRESSOR.....	10
PTC-STARTER.....	10
OLP (OVERLOAD PROTECTOR).....	11
TO REMOVE THE COVER PTC.....	11
CIRCUIT DIAGRAM	12-13
TROUBLESHOOTING	14-19
COMPRESSOR AND ELECTRIC COMPONENTS	14
PTC AND OLP.....	15
OTHER ELECTRICAL COMPONENTS	16
SERVICE DIAGNOSIS CHART.....	17
REFRIGERATION CYCLE.....	18-19
OPERATION PRINCIPLE & REPAIR METHOD OF ICEMAKER	20-23
DESCRIPTION OF FUNCTION & CIRCUIT OF MICOM (BEST, DISPENSER)	24-44
DESCRIPTION OF FUNCTION & CIRCUIT OF MICOM (GOOD, BETTER)	45-64
REFRIGERATOR EXPLODED VIEW & SERVICE PARTS LIST	65-102

SAFETY PRECAUTIONS

Please read the following instructions before servicing your refrigerator.

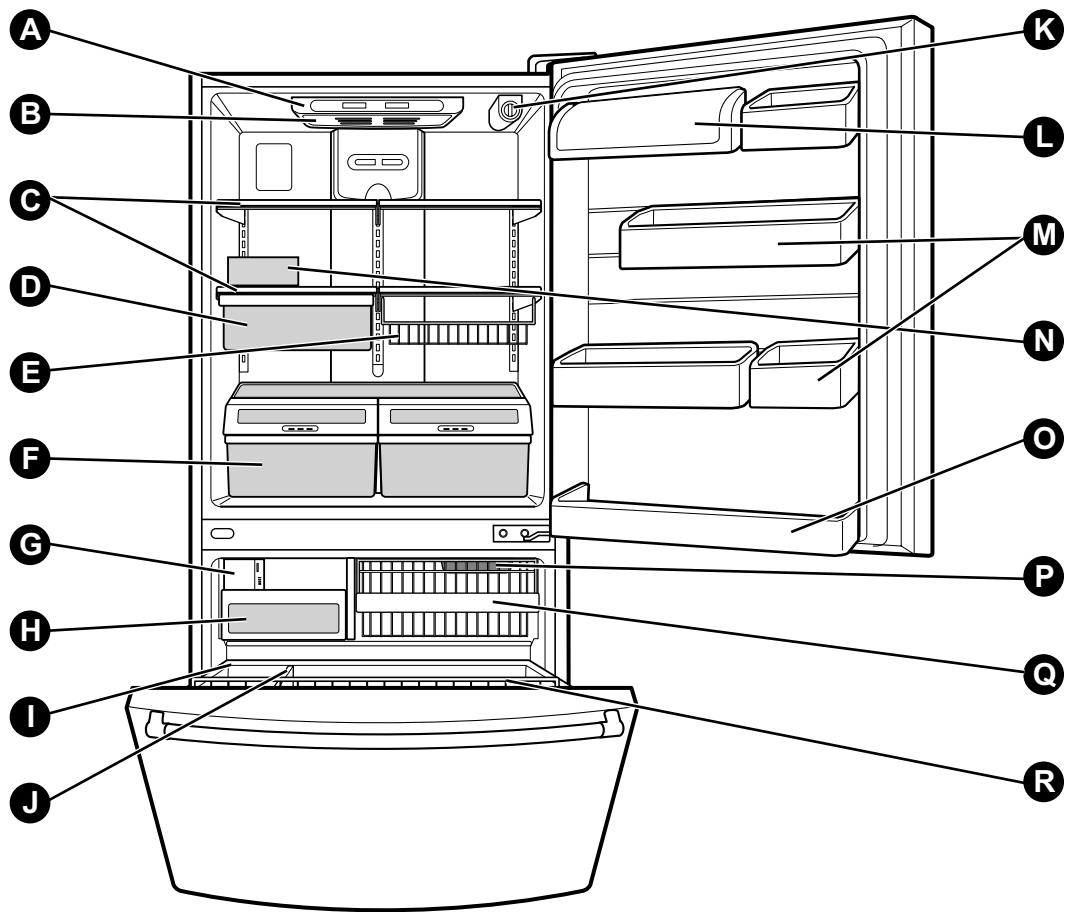
1. Check the refrigerator for electrical faults.
2. To prevent electric shock, unplug before servicing.
3. Always check line voltage and amperage.
4. Use standard electrical components.
5. Don't touch metal products in the freezer with wet hands. This may cause frostbite or cause your skin to freeze and stick to the surfaces inside the freezer.
6. Prevent water from flowing onto electric elements in the mechanical parts.
7. Close the top door before opening the bottom door. Otherwise, you might hit your head when you stand up.
8. When tilting the refrigerator, remove any materials on the refrigerator, especially the glass shelves and stored foods.
9. When servicing the evaporator, wear cotton gloves. This is to prevent injuries from the sharp evaporator fins.
10. Disassembly, repair, and servicing the sealed refrigeration system should be performed only by qualified and certified personnel. Refrigerant should not be vented into the atmosphere; proper recovery equipment should be used.

1. SPECIFICATIONS

20 cu. ft. / 22 cu. ft.

ITEMS	SPECIFICATIONS	ITEMS	SPECIFICATIONS	
DOOR DESIGN	Side Rounded	VEGETABLE TRAY	Opaque Drawer Type	
DIMENSIONS (inches)	29 7/8 x 31 3/4 x 67 7/8 (WxDxH) 20cu.ft	COMPRESSOR	PTC Starting Type	
	32 7/8 x 31 3/4 x 69 1/2 (WxDxH) 22cu.ft Dispenser	EVAPORATOR	Fin Tube Type	
	32 7/8 x 31 3/4 x 68 1/2 (WxDxH) 22cu.ft	CONDENSER	Wire Condenser	
NET WEIGHT (pounds)	238.4 (20cu.ft)	REFRIGERANT	R-134a (115 g)	
	246.9 (22cu.ft)	LUBRICATING OIL	Freol @ 10G (310 cc)	
COOLING SYSTEM	Fan Cooling	DEFROSTING DEVICE	SHEATH HEATER	
TEMPERATURE CONTROL	Micom Control	LAMP	REFRIGERATOR	60 W (2EA)
DEFROSTING SYSTEM	Full Automatic Heater Defrost		FREEZER	60 W (2EA)
DOOR FINISH	Embossed Metal, VCM, Stainless			
HANDLE TYPE	Bar, Al			
INNER CASE	ABS Resin			
INSULATION	Polyurethane Foam			

2. PARTS IDENTIFICATION



NOTE: This guide covers several different models. The refrigerator you have purchased may have some or all of the items listed below. The locations of the features shown below may not match your model.

A Digital Sensor Control

B Refrigerator Light

C Shelves

D Chef Fresh / Snack Pan*

E Can Dispenser*

F Optibin Crisper
Keeps fruits and vegetable fresh and crisper

G Customcube Icemaker

H Ice Bin

I Durabase

J Divider

K Filter (inside)*

L Dairy Bin

M Design-A-Door

N Egg Box

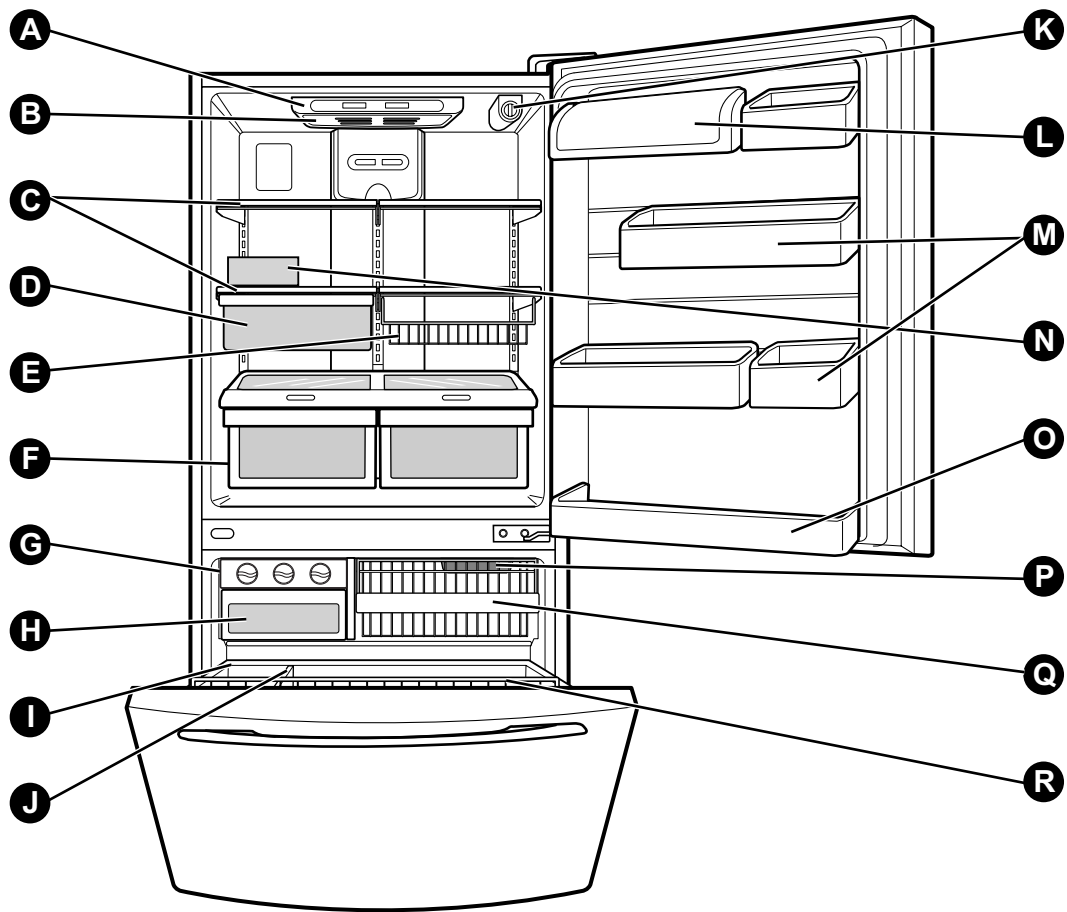
O Refrigerator Door Rack

P Freezer Light

Q Wire Basket

R Freezer Door Rack (Tilting*)

*on some models



NOTE: This guide covers several different models. The refrigerator you have purchased may have some or all of the items listed below. The locations of the features shown below may not match your model.

A Digital Sensor Control

B Refrigerator Light

C Shelves

D Chef Fresh / Snack Pan*

E Can Dispenser*

F Optibin Crisper
Keeps fruits and vegetable fresh and crisper

G Triple Ice Tray

H Ice Bin

I Durabase

J Divider

K Filter (inside)*

L Dairy Bin

M Design-A-Door

N Egg Box

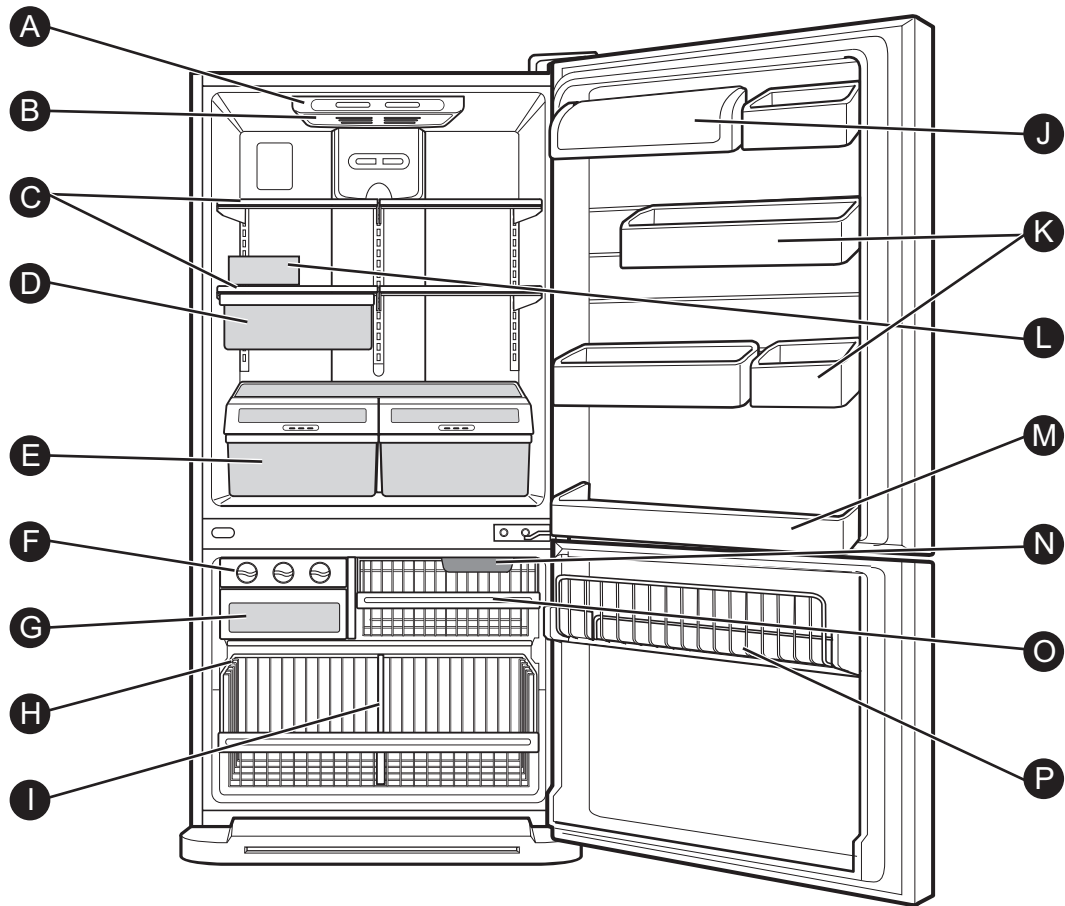
O Refrigerator Door Rack

P Freezer Light

Q Wire Basket

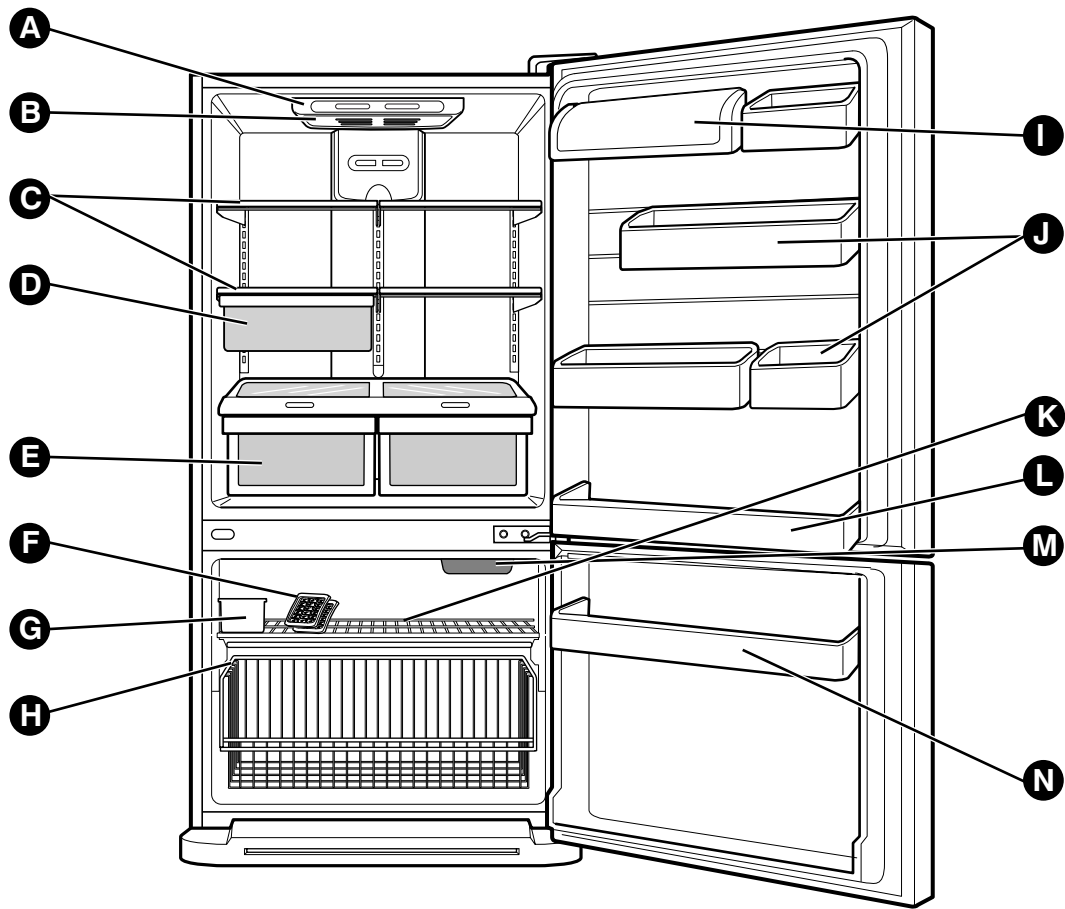
R Freezer Door Rack (Tilting*)

*on some models



NOTE: This guide covers several different models. The refrigerator you have purchased may have some or all of the items listed below. The locations of the features shown below may not match your model.

- | | |
|--|---------------------------------|
| A Digital Sensor Control | I Divider |
| B Refrigerator Light | J Dairy Bin |
| C Shelves | K Design-A-Door |
| D Snack Pan | L Egg Box |
| E Optibin Crisper
Keeps fruits and vegetable fresh and crisp | M Refrigerator Door Rack |
| F Triple Twist Ice Tray | N Freezer Light |
| G Ice Bin | O Wire Basket |
| H Wire Durabase | P Freezer Wire Door Rack |



NOTE: This guide covers several different models. The refrigerator you have purchased may have some or all of the items listed below. The locations of the features shown below may not match your model.

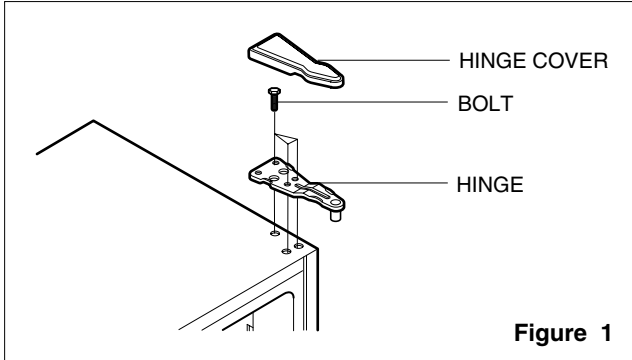
- A** Digital Sensor Control
- B** Refrigerator Light
- C** Shelves
- D** Snack Pan
- E** Optibin Crisper
Keeps fruits and vegetable fresh and crisp
- F** Ice Trays
- G** Ice Bin
- H** Wire Durabase
- I** Dairy Bin
- J** Design-A-Door
- K** Wire Freezer Shelf
- L** Refrigerator Door Rack
- M** Freezer Light
- N** Freezer Door Rack

3. DISASSEMBLY

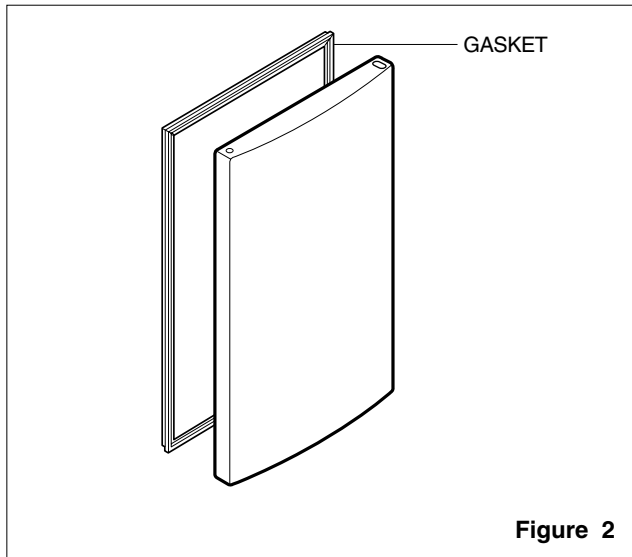
3-1 DOOR

● Refrigerator Door

1. Remove the hinge cover by pulling it upwards.
2. Loosen the hexagonal bolts attaching the upper hinge to the body and lift the freezer door.

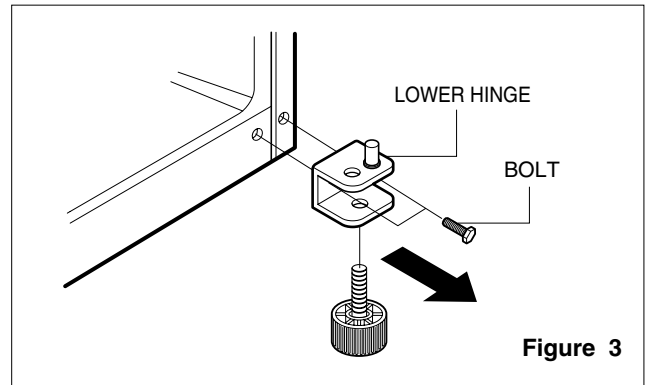


3. Pull out the door gasket to remove from the door foam assembly.



● Freezer Door

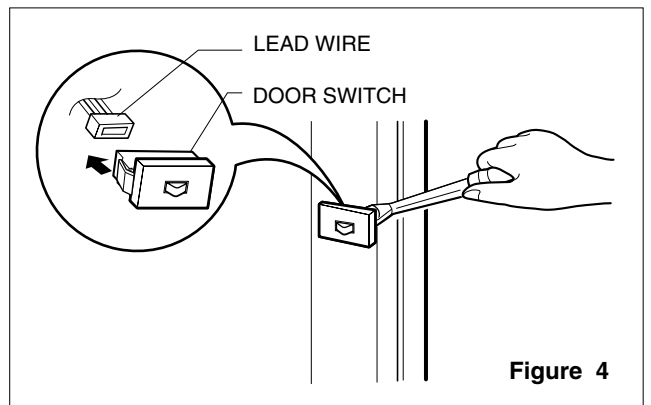
1. Loosen the hexagonal bolts attaching the lower hinge to the body to remove the refrigerator door only.



2. Pull out the door gasket to remove from the door foam assembly.

3-2 DOOR SWITCH

1. To remove the door switch, pry it out with a slotted-type driver, as shown in (Figure 4).
2. Disconnect the lead wire from the switch.



3-3 FAN AND FAN MOTOR

1. Remove the freezer shelf. (If your refrigerator has an icemaker, remove the icemaker first)
2. Remove the grille by pulling it out and by loosening a screw.
3. Remove the Fan Motor assembly by loosening 2 screws and disassemble the shroud.
4. Pull out the fan and separate the Fan Motor and Bracket.

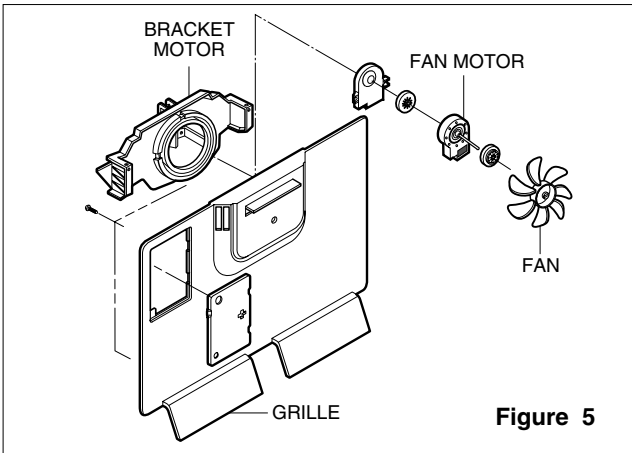


Figure 5

3-4 DEFROST CONTROL ASSEMBLY

Defrost Control assembly consists of Defrost Sensor and FUSE-M.

The Defrost Sensor works to defrost automatically. It is attached to the metal side of the Evaporator and senses its temperature. At 72°C, it turns the Defrost Heater off. Fuse-M is a safety device for preventing over-heating of the Heater when defrosting.

1. Pull out the grille assembly. (Figure 6)
2. Separate the connector with the Defrost Control assembly and replace the Defrost Control assembly after cutting the Tie Wrap. (Figure 7)

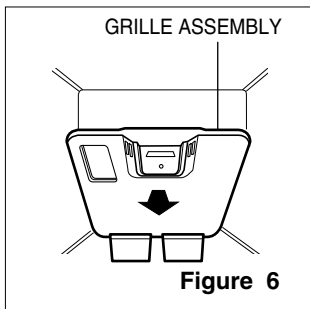


Figure 6

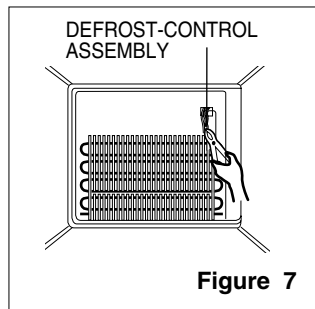


Figure 7

3-5 LAMP

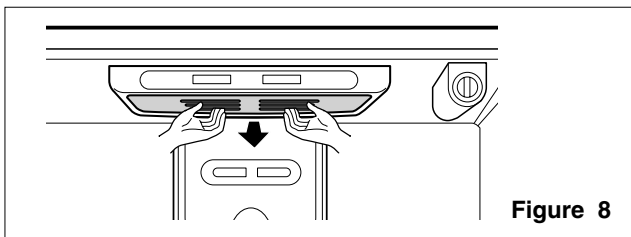


Figure 8

3-5-1 Refrigerator Compartment Lamp

1. Unplug the power cord from the outlet.
2. Remove refrigerator shelves.
3. Release the hooks on both ends of the lamp shield and pull the shield downward to remove it.
4. Turn the lamp counterclockwise.
5. Assemble in reverse order of disassembly. Replacement bulb must be the same specification as the original (Max. 60 W-2EA).

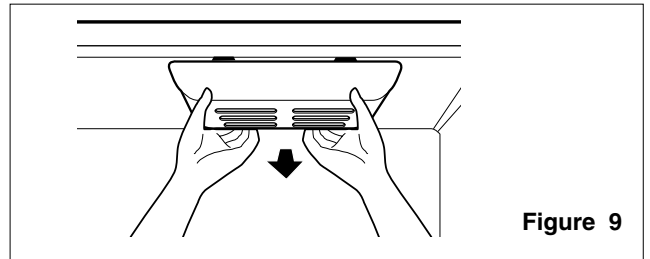


Figure 9

3-5-2 Freezer Compartment Lamp

1. Unplug refrigerator or disconnect power.
2. Reach behind light shield to remove bulb.
3. Replace bulb with a 60-watt appliance bulb.
4. Plug in refrigerator or reconnect power.

3-6 CONTROL BOX-REFRIGERATOR

1. First, remove all shelves in the refrigerator, then remove the Refrigerator control Box by loosening 2 screws.

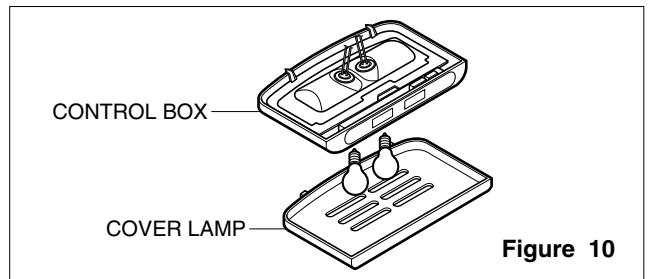


Figure 10

2. Remove the Refrigerator Control Box by pulling it downward.
3. Disconnect the lead wire on the right position and separate the lamp sockets.

3-7 MULTI DUCT

1. Remove an upper and lower Cap by using a flat screwdriver, and loosen 3 screws. (Figure 11)
2. Disconnect the lead wire on the bottom position.

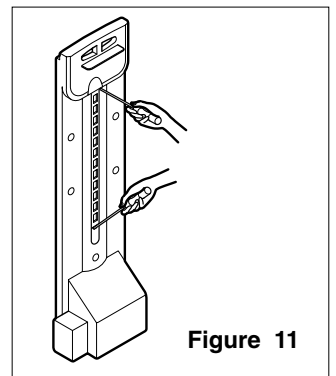


Figure 11

4. ADJUSTMENT

4-1 COMPRESSOR

4-1-1 Role

The compressor intakes low temperature and low pressure gas from the evaporator of the refrigerator and compresses this gas to high-temperature and high-pressure gas. It then delivers the gas to the condenser.

4-1-2 Composition

The compressor includes overload protection. The PTC starter and OLP (overload protector) are attached to the outside of the compressor. Since the compressor is manufactured to tolerances of 1 micron and is hermetically sealed in a dust and moisture-free environment, use extreme caution when repairing it.

4-1-3 Note for Usage

- (1) Be careful not to allow over-voltage and over-current.
- (2) If compressor is dropped or handled carelessly, poor operation and noise may result.
- (3) Use proper electric components appropriate to the Particular Compressor in your product.
- (4) Keep Compressor dry.
If the Compressor gets wet (in the rain or a damp environment) and rust forms in the pin of the Hermetic Terminal, poor operation and contact may result.
- (5) When replacing the Compressor, be careful that dust, humidity, and soldering flux don't contaminate the inside of the compressor. Dust, humidity, and solder flux contaminate the cylinder and may cause noise, improper operation or even cause it to lock up.

4-2 PTC-STARTER

4-2-1 Composition of PTC-Starter

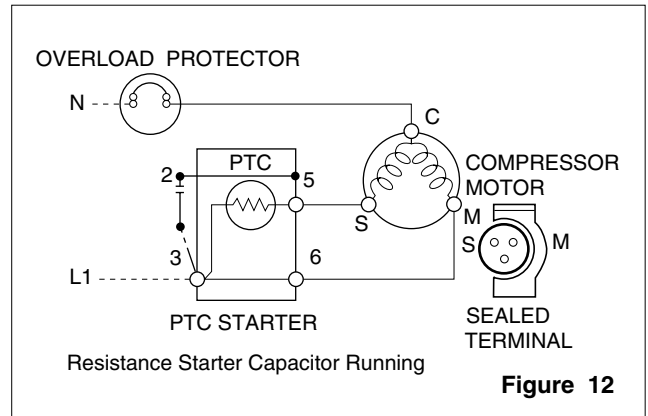
- (1) PTC (Positive Temperature Coefficient) is a no-contact semiconductor starting device which uses ceramic material consisting of BaTiO₃.
- (2) The higher the temperature is, the higher the resistance value. These features are used as a starting device for the Motor.

4-2-2 Role of PTC-Starter

- (1) The PTC is attached to the Sealed Compressor and is used for starting the Motor.
- (2) The compressor is a single-phase induction motor. During the starting operation, the PTC allows current flow to both the start winding and main winding.

4-2-3 PTC-Applied Circuit Diagram

● Starting Method for the Motor



4-2-4 Motor Restarting and PTC Cooling

- (1) It requires approximately 5 minutes for the pressure to equalize before the compressor can restart.
- (2) The PTC device generates heat during operation. Therefore, it must be allowed to cool before the compressor can restart.

4-2-5 Relation of PTC-Starter and OLP

- (1) If the compressor attempts to restart before the PTC device is cooled, the PTC device will allow current to flow only to the main winding.
- (2) The OLP will open because of the over current condition. This same process will continue (3 to 5 times) when the compressor attempts to restart until the PTC device has cooled. The correct OLP must be properly attached to prevent damage to the compressor.

Parts may appear physically identical but could have different electrical ratings. Replace parts by part number and model number. Using an incorrect part could result in damage to the product, fire, injury, or possibly death.

4-2-6 Note for Using the PTC-Starter

- (1) Be careful not to allow over-voltage and over-current.
- (2) Do not drop or handle carelessly.
- (3) Keep away from any liquid.
If liquid such as oil or water enters the PTC, PTC materials may fail due to breakdown of their insulating capabilities.
- (4) If the exterior of the PTC is damaged, the resistance value may be altered. This can cause damage to the compressor and result in a no-start or hard-to-start condition.
- (5) Always use the PTC designed for the compressor and make sure it is properly attached to the compressor. Parts may appear physically identical but could have different electrical ratings. Replace parts by part number and model number. Using an incorrect part could result in damage to the product, fire, injury, or possibly death.

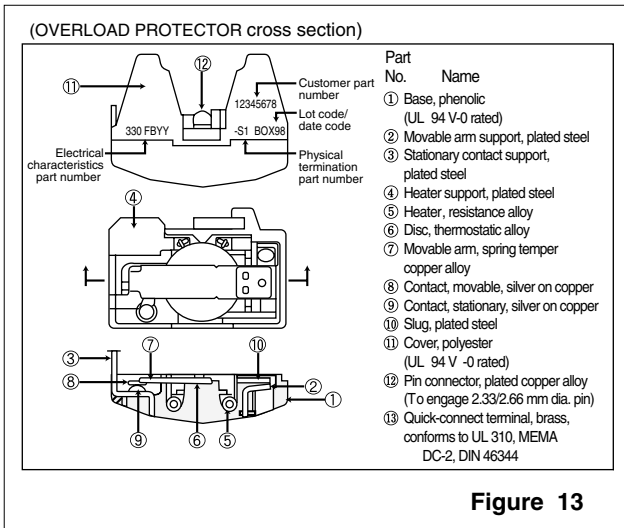
4-3 OLP (OVERLOAD PROTECTOR)

4-3-1 Definition of OLP

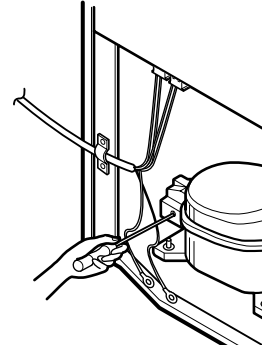
- (1) OLP (OVERLOAD PROTECTOR) is attached to the Compressor and protects the Motor by opening the circuit to the Motor if the temperature rises and activating the bimetal spring in the OLP.
- (2) When high current flows to the Compressor motor, the Bimetal works by heating the heater inside the OLP, and the OLP protects the Motor by cutting off the current flowing to the Compressor Motor.

4-3-2 Role of the OLP

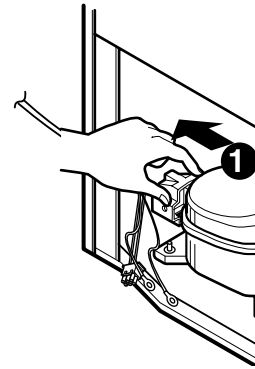
- (1) The OLP is attached to the Sealed Compressor used for the Refrigerator. It prevents the Motor Coil from being started in the Compressor.
- (2) For normal operation of the OLP, do not turn the Adjust Screw of the OLP in any way.



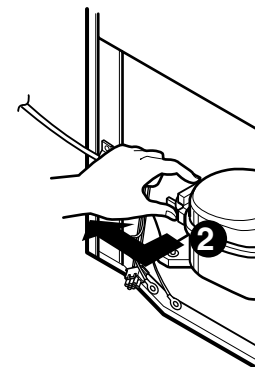
4-4 TO REMOVE THE COVER PTC



- 1) Remove the Cover Back M/C.
- (2) Remove the screw on Cover PTC.



- (3) Remove two Housings on upper part of Cover PTC.
- (4) Take out the cover PTC from upper to lower position like ①.

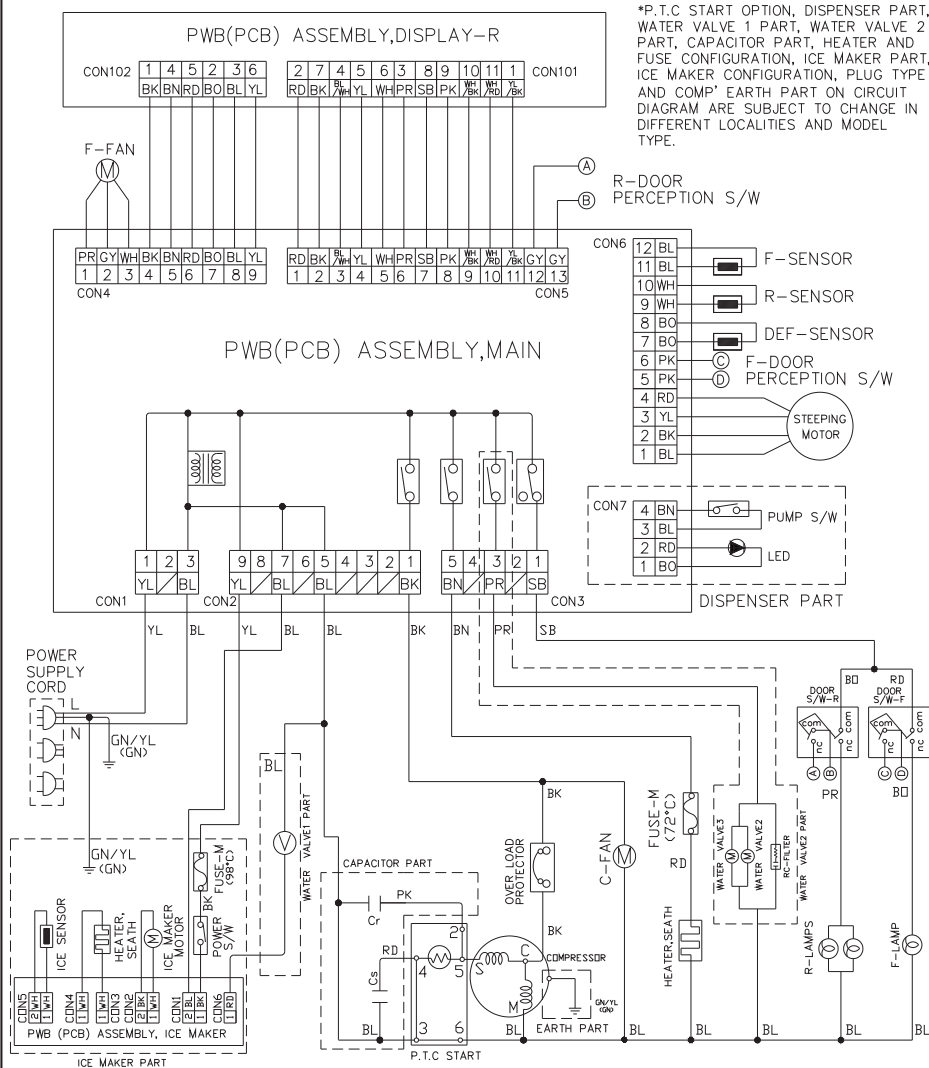


- (5) Turn 45° in the direction of ② and take it out.
- (6) Assembly in reverse order of disassembly.

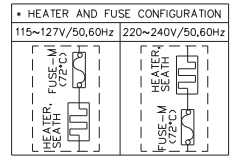
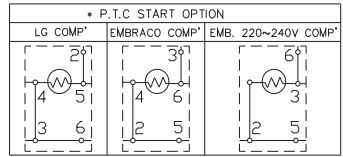
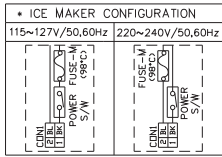
5. CIRCUIT DIAGRAM

Best / Best dispenser

DIAGRAMA ELECTRICO - CIRCUIT DIAGRAM



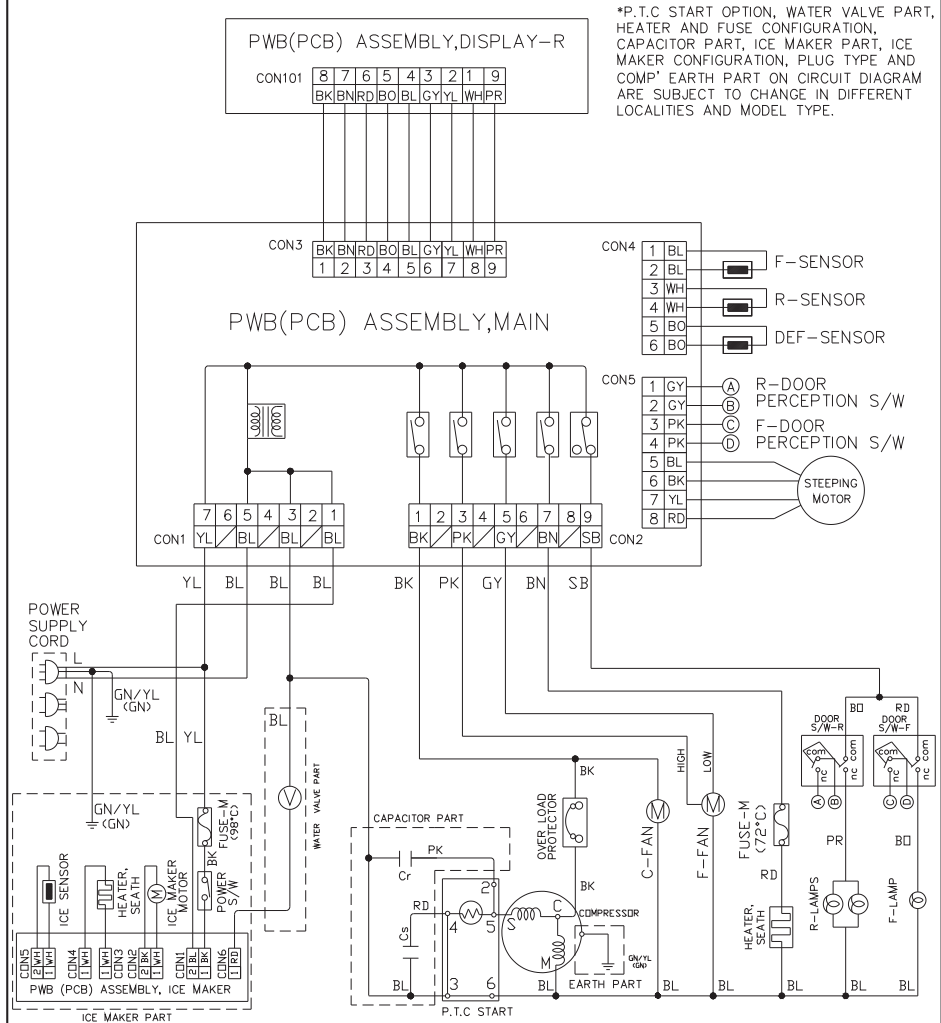
*P.T.C START OPTION, DISPENSER PART, WATER VALVE 1 PART, WATER VALVE 2 PART, CAPACITOR PART, HEATER AND FUSE CONFIGURATION, ICE MAKER PART, ICE MAKER CONFIGURATION, PLUG TYPE AND COMP' EARTH PART ON CIRCUIT DIAGRAM ARE SUBJECT TO CHANGE IN DIFFERENT LOCALITIES AND MODEL TYPE.



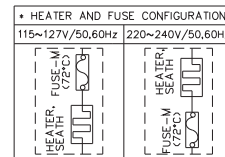
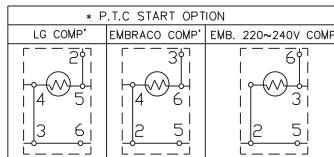
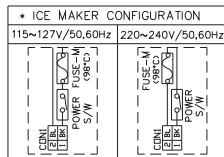
- BK: NEGRO/BLACK
BN: CAFE/BROWN
RD: ROJO/RED
BO: NARANJA/BRIGHT ORANGE
- YL: AMARILLO/YELLOW
GN: VERDE/GREEN
BL: AZUL/BLUE
PR: VIOLETA/PURPLE
GY: GRIS/GRAY
- WH: BLANCO/WHITE
SB: AZUL CIELO/SKY BLUE
PK: ROSA/PINK

Good / Better

DIAGRAMA ELECTRICO - CIRCUIT DIAGRAM



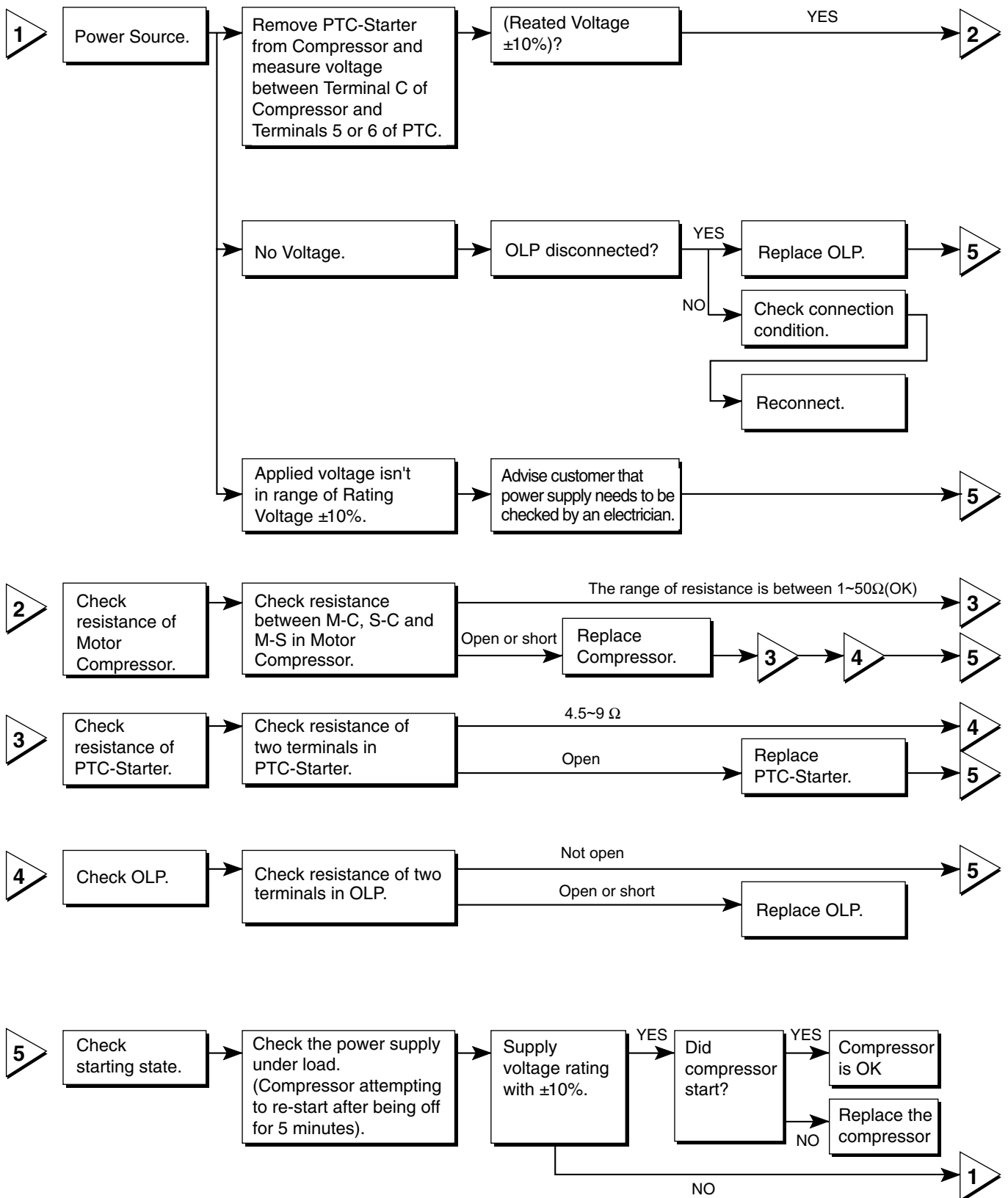
*P.T.C START OPTION, WATER VALVE PART, HEATER AND FUSE CONFIGURATION, CAPACITOR PART, ICE MAKER PART, ICE MAKER CONFIGURATION, PLUG TYPE AND COMP' EARTH PART ON CIRCUIT DIAGRAM ARE SUBJECT TO CHANGE IN DIFFERENT LOCALITIES AND MODEL TYPE.



BK: NEGRO/BLACK	BN: CAFE/BROWN	RD: ROJO/RED	BO: NARANJA/BRIGHT ORANGE
YL: AMARILLO/YELLOW	GN: VERDE/GREEN	BL: AZUL/BLUE	PR: VIOLETA/PURPLE
WH: BLANCO/WHITE	SB: AZUL CIELO/SKY BLUE	PK: ROSA/PINK	GY: GRIS/GRAY

6. TROUBLESHOOTING

6-1 COMPRESSOR AND ELECTRIC COMPONENTS



6-2 PTC AND OLP

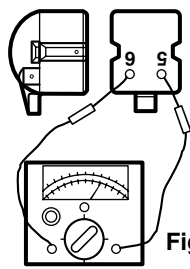
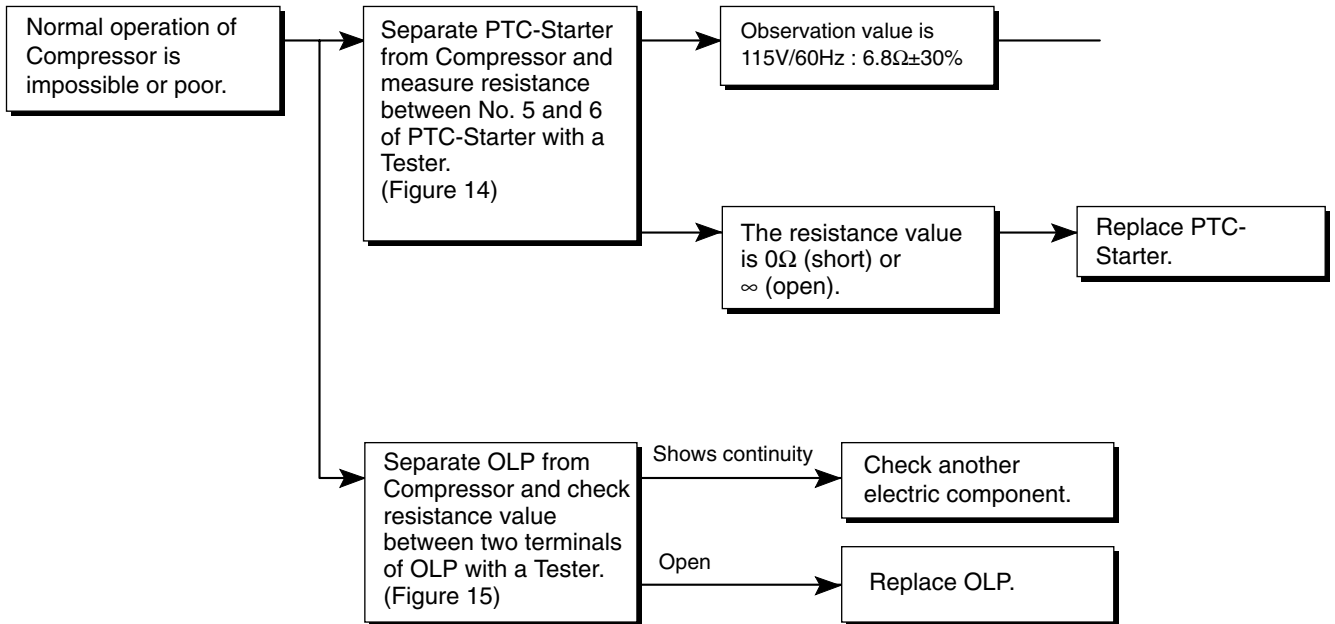


Figure 14

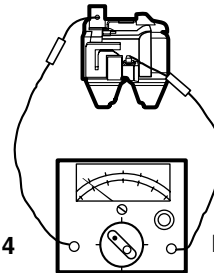
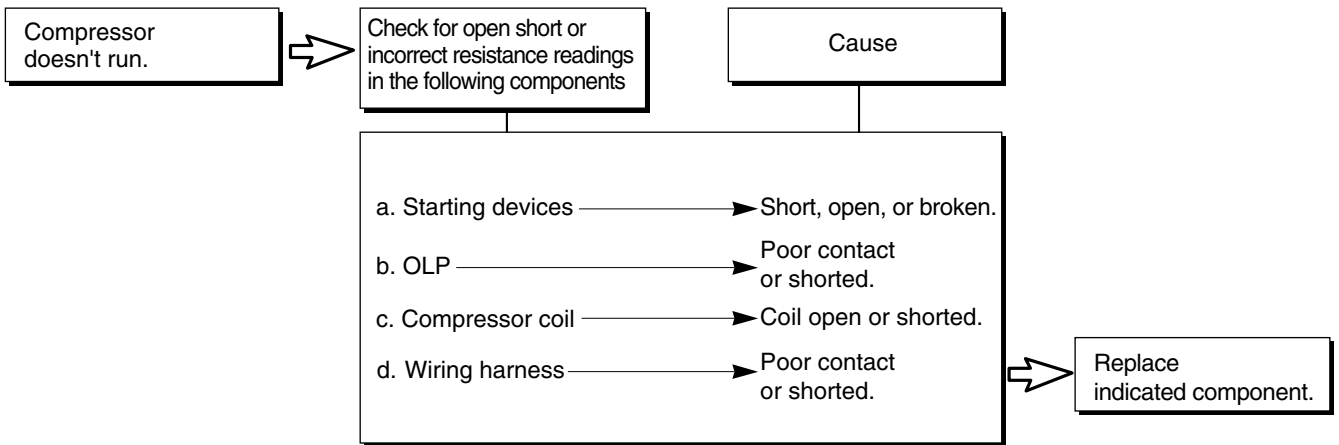


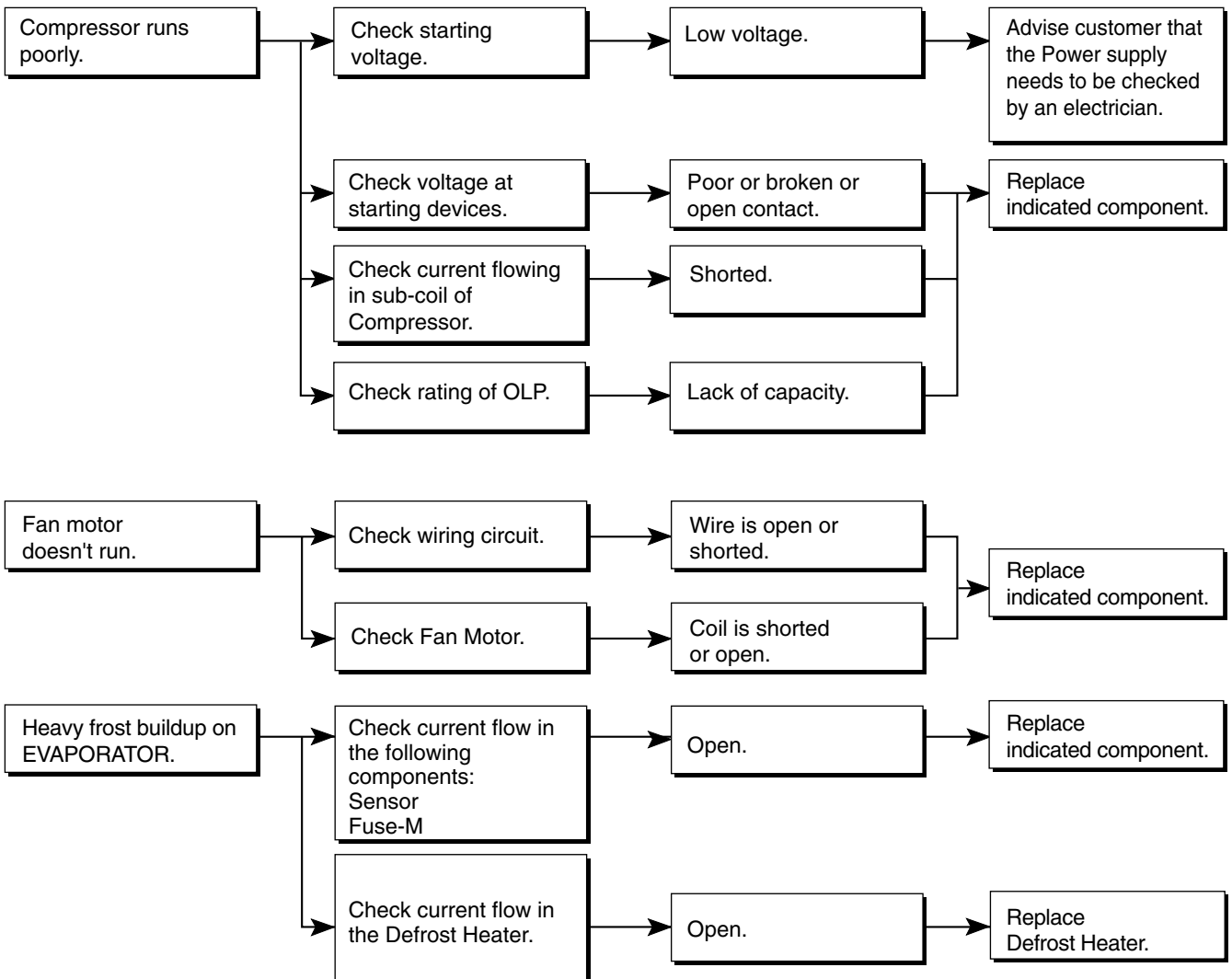
Figure 15

6-3 OTHER ELECTRICAL COMPONENTS

▼ Not cooling at all



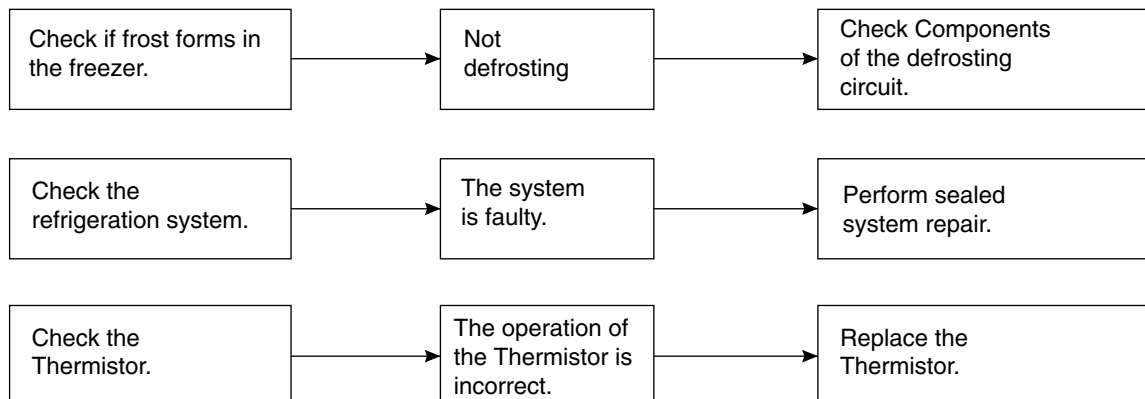
▼ Poor cooling performance



6-4 SERVICE DIAGNOSIS CHART

COMPLAINT	POINTS TO BE CHECKED	REMEDY
No Cooling.	<ul style="list-style-type: none"> • Is the power cord unplugged from the outlet? • Check if the power switch is set to OFF. • Check if the fuse of the power switch is shorted. • Measure the voltage of the power outlet. 	<ul style="list-style-type: none"> • Plug into the outlet. • Set the switch to ON. • Replace the fuse. • If the voltage is low, correct the wiring.
Cools poorly.	<ul style="list-style-type: none"> • Check if the unit is placed too close to the wall. • Check if the unit is placed too close to the stove, gas cooker, or in direct sunlight. • Is the ambient temperature too high or the room door closed? • Check if food put in the refrigerator is hot. • Did you open the door of the unit too often or check if the door is sealed properly? • Check if the Control is set to Warm position. 	<ul style="list-style-type: none"> • Place the unit about 4 inches (10 cm) from the wall. • Place the unit away from these heat sources. • Lower the ambient temperature. • Put in foods after they have cooled down. • Don't open the door too often and close it firmly. • Set the control to Recommended position.
Foods in the Refrigerator are frozen.	<ul style="list-style-type: none"> • Is food placed in the cooling air outlet? • Check if the control is set to colder position. • Is the ambient temperature below 41°F(5°C)? 	<ul style="list-style-type: none"> • Place foods in the high-temperature section. (front part) • Set the control to Recommended position. • Set the control to Warm position.
Condensation or ice forms inside the unit.	<ul style="list-style-type: none"> • Is liquid food sealed? • Check if food put in the refrigerator is hot. • Did you open the door of the unit too often or check if the door is sealed properly? 	<ul style="list-style-type: none"> • Seal liquid foods with wrap. • Put in foods after they have cooled down. • Don't open the door too often and close it firmly.
Condensation forms in the Exterior Case.	<ul style="list-style-type: none"> • Check if the ambient temperature and humidity of the surrounding air are high. • Is there a gap in the door gasket? 	<ul style="list-style-type: none"> • Wipe moisture with a dry cloth. It will disappear in low temperature and humidity. • Fill up the gap.
There is abnormal noise.	<ul style="list-style-type: none"> • Is the unit positioned in a firm and even place? • Are any unnecessary objects placed in the back side of the unit? • Check if the Drip Tray is not firmly fixed. • Check if the cover of the compressor enclosure in the lower front side is taken out. 	<ul style="list-style-type: none"> • Adjust the Leveling Screw, and position the refrigerator in a firm place. • Remove the objects. • Fix the Drip Tray firmly in the original position. • Place the cover in its original position.
Door does not close well.	<ul style="list-style-type: none"> • Check if the door gasket is dirty with an item like juice. • Is the refrigerator level? • Is there too much food in the refrigerator? 	<ul style="list-style-type: none"> • Clean the door gasket. • Position in the firm place and level the Leveling Screw. • Make sure food stored in shelves does not prevent the door from closing.
Ice and foods smell unpleasant.	<ul style="list-style-type: none"> • Check if the inside of the unit is dirty. • Are foods with a strong odor unwrapped? • The unit smells of plastic. 	<ul style="list-style-type: none"> • Clean the inside of the unit. • Wrap foods that have a strong odor. • New products smell of plastic, but this will go away after 1-2 weeks.

● Other possible problems:



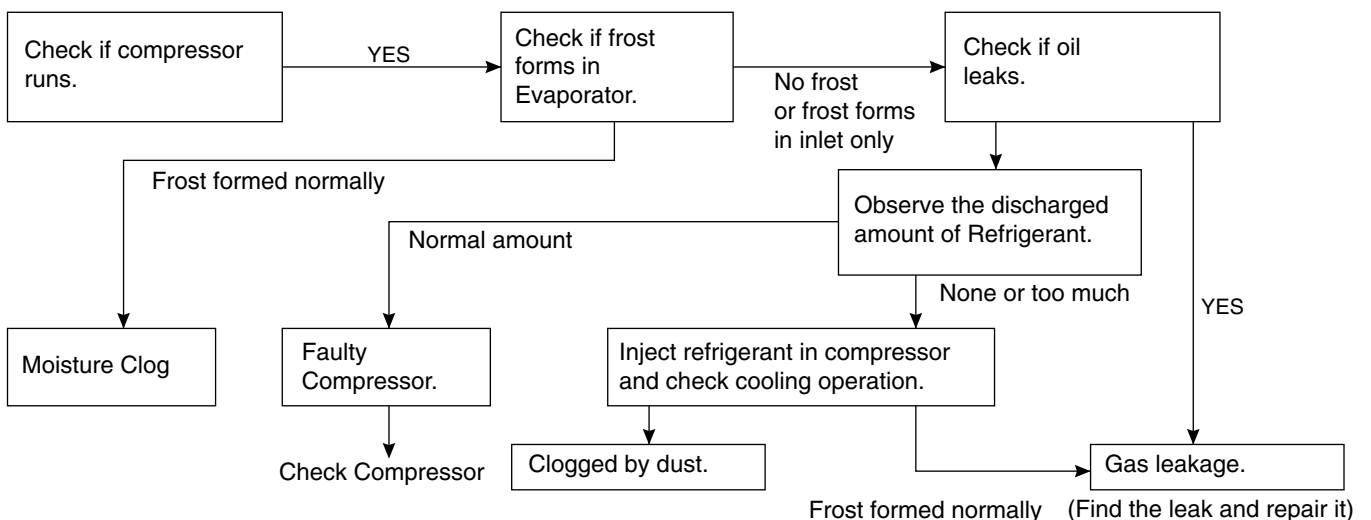
6-5 REFRIGERATION CYCLE

▼ Troubleshooting Chart

CAUSE		STATE OF THE UNIT	STATE OF THE EVAPORATOR	TEMPERATURE OF THE COMPRESSOR	REMARKS
LEAKAGE	PARTIAL LEAKAGE	Freezer compartment and Refrigerator don't cool normally.	Low flowing sound of Refrigerant is heard and frost forms in inlet only.	A little higher than ambient temperature.	<ul style="list-style-type: none"> Refrigerant level is low due to a leak. Normal cooling is possible by restoring the normal amount of refrigerant and repairing the leak.
	COMPLETE LEAKAGE	Freezer compartment and Refrigerator don't cool normally.	Flowing sound of refrigerant is not heard and frost isn't formed.	Equal to ambient temperature.	<ul style="list-style-type: none"> No discharging of Refrigerant. Normal cooling is possible by restoring the normal amount of refrigerant and repairing the leak.
CLOGGED BY DUST	PARTIAL CLOG	Freezer compartment and Refrigerator don't cool normally.	Flowing sound of refrigerant is heard and frost forms in inlet only.	A little higher than ambient temperature.	<ul style="list-style-type: none"> Normal discharging of the refrigerant. The capillary tube is faulty.
	WHOLE CLOG	Freezer compartment and Refrigerator don't cool.	Flowing sound of refrigerant is not heard and frost isn't formed.	Equal to ambient temperature.	<ul style="list-style-type: none"> Normal discharging of the Refrigerant.
MOISTURE CLOG		Cooling operation stops periodically.	Flowing sound of refrigerant is not heard and frost melts.	Lower than ambient temperature.	<ul style="list-style-type: none"> Cooling operation restarts when heating the inlet of the capillary tube.
DEFECTIVE COMPRESSION	COMP-RESSION	Freezer and Refrigerator don't cool.	Low flowing sound of refrigerant is heard and frost forms in inlet only.	A little higher ambient temperature.	<ul style="list-style-type: none"> Low pressure at high side of compressor due to low refrigerant level.
	NO COMP-RESSION	No compressing operation.	Flowing sound of refrigerant is not heard and there is no frost.	Equal to ambient temperature.	<ul style="list-style-type: none"> No pressure in the high pressure part of the compressor.

▼ Leakage Detection

- Observe the discharging point of the refrigerant, which may be in the oil discharging part of the compressor and in a hole in the evaporator.



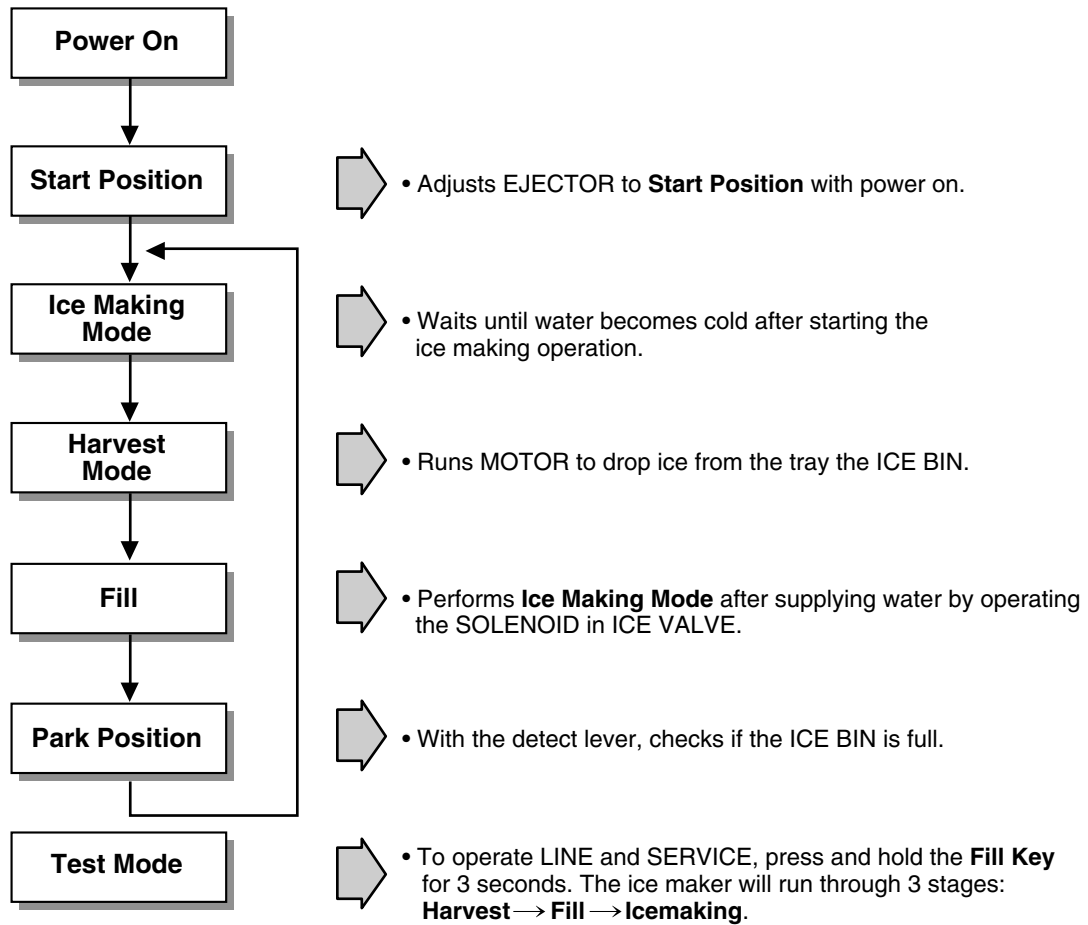
▼ General Control of Refrigerating Cycle

NO.	ITEMS	UNIT	STANDARDS	PURPOSES	REMARKS	
1	Pipe and piping system opening time	Min.	Pipe: within 1 hour. Comp: within 10 minutes. Drier: within 20 minutes.	To protect moisture penetration.	The opening time should be reduced to a half of the standards during rain and rainy seasons (the penetration of water into the pipe is dangerous).	
2	Welding	Nitrogen pressure	Weld under Nitrogen atmosphere. (N ₂ pressure: 0.1~0.2 kg/cm ²)	To protect oxide scale formation.	- Refer to repair note in each part. - R-134a refrigerant is more susceptible to leaks than R-12 and requires more care during welding. - Do not apply force to pipes before and after welding to protect pipe from cracking.	
3	N ₂ sealed parts	Confirm N ₂ leak	Confirm the sound of pressure relief when removing the rubber cap. Sound: usable No sound: not usable	To protect moisture penetration.	- In case of evaporator parts, if it doesn't make sound when removing rubber cap, blow dry air or N ₂ gas for more than 1 min. and then use the parts.	
4	Refrigeration Cycle	Evacuation time	Min.	More than 40 minutes	To remove moisture.	
		Vacuum degree	Torr	Below 0.03 (ref)		Note: Only applicable to the model equipped with reverse flow protect plate.
		Vacuum	EA	High and low pressure sides are evacuated at the same time for models above 200 l.		Vacuum efficiency can be improved by operating compressor during evacuation.
		Vacuum piping	EA	Use R-134a manifold exclusively.	To protect mixing of mineral and ester oils.	The rubber pipes for R-12 refrigerant will be melted when they are used for R-134a refrigerant (causes of leak.)
		Pipe coupler	EA	Use R-134a manifold exclusively.	To protect R-12 refrigerant mixing.	
		Outlet (Socket)		R-134a manifold exclusively.	To protect R-12 refrigerant mixing.	
		Plug		R-134a manifold exclusively.	To protect R-12 refrigerant mixing.	
5	Refrigerant weighing	EA	Use R-134a exclusively. Weighing allowance: ±5g Note: Winter: -5g Summer: +5g	Do not mix with R-12 refrigerant.	- Do not weigh the refrigerant at too hot or too cold an area. (77°F [25°C] is adequate.) - Make Copper charging canister (Device filling refrigerant) Socket: 2SV Plug: 2PV R-134a Note: Do not burn O-ring (bushing) during welding.	
6	Drier replacement		- Use R-134a exclusively for R-134a refrigerator. - Replace drier whenever repairing refrigerator cycle piping.	To remove the moisture from pipe inside.		
7	Leak check		- Do not use soapy water for check. It may be sucked into the pipe by a vacuum.	Defect in refrigerant leak area.	- Check for an oil leak at the refrigerant leak area. Use an electronic leak detector if an oil leak is not found. - The electronic leak detector is very sensitive to halogen gas in the air. It also can detect R-141b in urethane. Practice many times before using this type of detector to avoid false readings.	

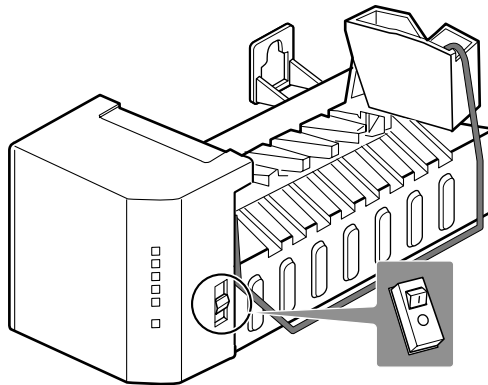
7. OPERATION PRINCIPLE AND REPAIR METHOD OF ICEMAKER

7-1 OPERATION PRINCIPLE

7-1-1 Operation Principle of IceMaker



1. Turning the Icemaker stop switch off (O) stops the ice making function.
2. Setting the Icemaker switch to OFF and then turning it back on will reset the icemaker control.



7-2 CONTROL METHOD ACCORDING TO FUNCTIONS

7-2-1 Start Position

1. After POWER OFF or Power Outage, check the EJECTOR's position with MICOM initialization to restart.
2. How to check if it is in place:
 - Check **HIGH/LOW** signals from HALL SENSOR in MICOM PIN.
3. Control Method to check if it is in place:
 - (1) EJECTOR is in place,
 - It is an initialized control, so the mode can be changed to ice making control.
 - (2) EJECTOR isn't in place:
 - A. If EJECTOR is back in place within 2 minutes with the motor on, it is being initialized. If not, go to Step B.
 - B. If EJECTOR is back in place within 18 minutes with the heater on (to control Heater on its OFF condition), it is being initialized. If not, it is not functioning. Repeat Step B with Heater and Motor off.

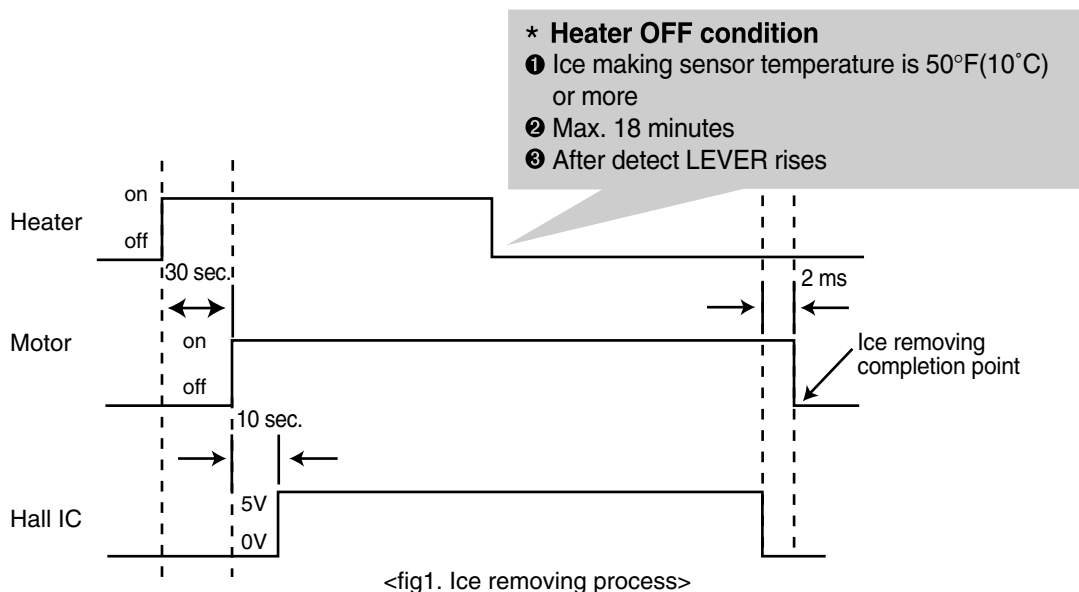
7-2-2 Ice Making Mode

1. Ice Making control refers to the freezing of supplied water in the ice trays. Complete ice making operations by measuring the temperature of the Tray with Ice-Making SENSOR.
2. Ice Making starts after completing fulfilled ice control and initial control.
3. The Ice Making function is completed when the sensor reaches 19°F(-7°C), 60 to 240 minutes after starting.
4. If the temperature sensor is defective, the ice-making function will be completed in 4 hours.

7-2-3 Harvest Mode

1. Ice-removing control refers to the operation of dropping cubes into the ice bin from the tray when ice-making has completed.
2. Ice removing control mode:
 - (1) Operates Heater for 30 seconds; then operate MOTOR.
 - (2) After performing Step 1 (to control the Heater on its off condition), Ice-Removal control will be back in place within 18 minutes. (Hall SENSOR sign = OV). Ice removal is then complete. Then change the mode to the water supply control. If this control phase fails to start, it is not functioning. Put the Heater and Motor in the off position. Restart every 2 hours. (Refer to fig.1)






NOTE : If the motor malfunctions and starts before the detect lever rises, MICOM regards the Ice-Removing phase as completed. Water then starts flowing. To prevent this, MICOM doesn't switch to water-supply mode, but restarts the ice-removing mode. If this happens 3 times, the motor is malfunctioning and you should stop the loads (Heater, Motor). Then restart the Ice-Removing mode every 2 hours. (See Step 2 above.)



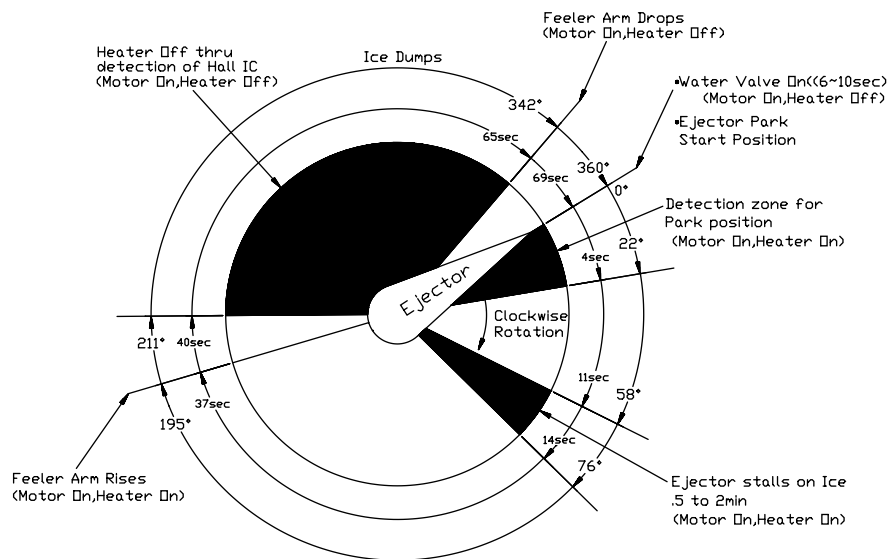
7-2-4 Fill / Park Position

1. When Ice-Removing control (Normal Ice-Removing control, Ice-Removing control for test) has completed, and the EJECTOR is in place, this control operates the ICE SOLENOID by time check in the compressor enclosure of the refrigerator. Then it supplies water to the ice making tray.
2. Water supply level is adjustable in levels 1-5 by pressing the water supply control Switch and fill time will be determined by the selected level.

Water supply amount TABLE

STAGE	TIME TO SUPPLY	INDICATIONS	REMARKS
1	6 sec.		The water amount will vary depending on the water control Switch setting, as well as the water pressure of the connected water line.
2	7 sec.		
3	8 sec.		
4	9 sec.		
5	10 sec.		

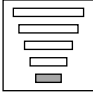


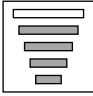
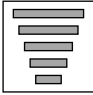
NOTE : Below is an example used by another vendor as an explanation of what is taking place.



7-2-5 Function TEST



1. This is a compulsory operation for TEST, SVC, cleaning, etc. It is operated by pressing the water supply control KEY for 3 seconds.
2. It operates in the Ice Making mode, but not in the Ice-Removing mode or water supply process. (If there is an ERROR, it can only be checked in the TEST mode.)
3. If the water supply control KEY is pressed for 3 seconds in the Ice-Making mode (no matter what condition the Ice-Making tray is in) the Ice-Removing operation starts immediately. Water is not yet frozen, so water is poured instead of ice. If the control doesn't operate normally in the TEST mode, check and repair as needed.
4. After water is supplied, the normal CYCLE is followed: **ice making** → **Harvest** → **Fill** → **Park Position**.
5. When Stage 5 is completed in the TEST mode, minimize MICOM in 5 seconds, the time needed to supply water resets to the previous status in the TEST mode.

Diagnosis TABLE

STAGE	ITEMS	INDICATOR	REMARKS
1	HEATER		Five seconds after heater starts, heater will go off if temperature recorded by sensor is 10°C or lever is in up position.
2	MOTOR		Five seconds after heater starts, you can confirm that motor is moving.
3	HALL IC (detection of position) I		You can confirm Hall Ic detection of position.
4	VALVE		Two seconds after detection of initial position, you can confirm that valve is on.
5	HALL IC (detection of full-filled Ice) II		You can check whether hall is sensing Full ice condition. (If there is a full-filled error, the fifth LED is not on.)
6	reset	Mark previous status on TEST mode	Five seconds after fifth stage is completed, the icemaker reset at initial status.

7-3 DEFECT DIAGNOSIS FUNCTION

7-3-1 ERROR CODES shown on Ice Maker water supply control panel

NO	DIVISION	INDICATOR	CONTENTS	REMARKS
1	Normal	Mark time to supply	None	Display switch operates properly
2	Ice-Making Sensor malfunction		Cut or short-circuited wire	Make sure that the wire on each sensor is connected.
3	Ice Maker Kit malfunction		When ejector blades don't reach park position over 18 minutes since Harvest Mode starts.	Defects of HALL IC/MOTOR/HEATER/RELAY

ERROR indicators in table can be checked only in TEST mode.

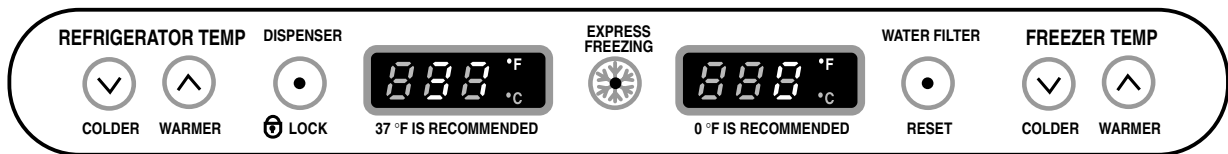
8. DESCRIPTION OF FUNCTION & CIRCUIT OF MICOM

8-1 FUNCTION

8-1-1 Function

1. When the appliance is plugged in, it is set to 37 °F for the Refrigerator and 0 °F for the Freezer.
You can adjust the Refrigerator and the Freezer control temperature by pressing the COLDER button or the WARMER button.
2. When the power is initially applied or restored after a power failure, it is set to the setting temperature as you set before power off. (applied to DISPENSER MODEL)

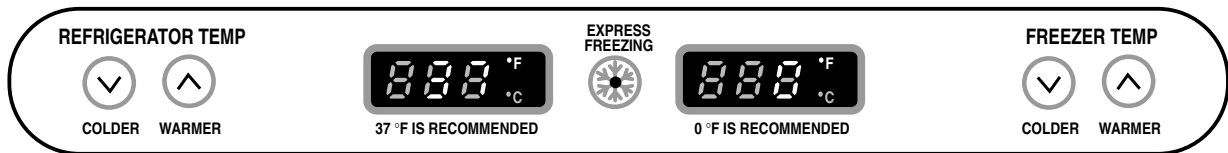
DISPENSER MODEL



Control range : 32°F ~ 46°F
0°C ~ 8°C

Control range : -6°F ~ 9°F
-21°C ~ -13°C

BEST MODEL



Control range : 32°F ~ 46°F
0°C ~ 8°C

Control range : -6°F ~ 9°F
-21°C ~ -13°C

8-1-2 How to Change the Temperature Mode to °F / °C

1. The setting temperature mode can be changed to °F / °C by pressing and holding COLDER key of Freezer and COLDER key of Refrigerator over 1 seconds. at the same time.
2. The initial setting is °F. Whenever the mode is changed, the LED lights are changed.

8-1-3 Dispenser Lock

1. Press and hold the DISPENSER LOCK button for 3 seconds to lock the dispenser.
2. When locked, the LED is off and the dispenser function is turned off.
3. Press and hold the DISPENSER LOCK button again for 3 seconds to unlock the dispenser. The LED will be on and the dispenser will function normally.

8-1-4 CONTROL OF FREEZER FAN MOTOR

- Freezer fan motor has high and standard speeds.
- High speed is used at power-up, for express freezing, and when refrigerator is overloaded.
Standard speeds is used for general purposes.
- To improve cooling speed, the RPM of the freezer fan motor change from normal speed to high.
- High speed (2700RPM) : Initial power on or load corresponding operation, express freezing.
Normal speed (2400RPM) : General working conditions.
- Fan motor stops when refrigerator or freezer door opens.

8-1-5 EXPRESS FREEZING

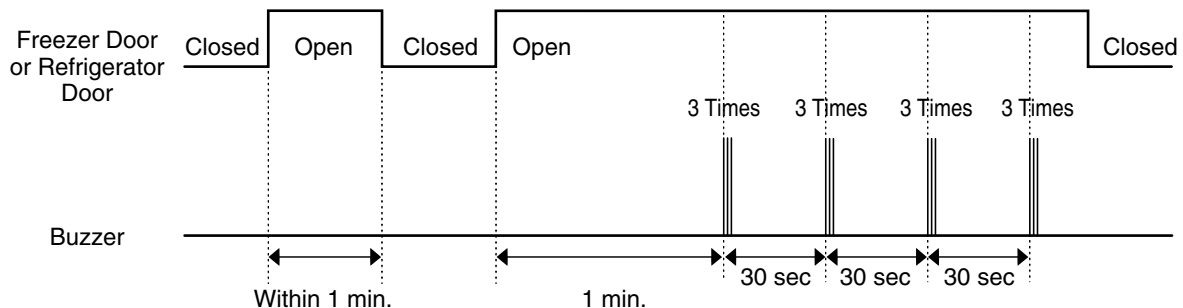
- The purpose of this function is to intensify the cooling speed of freezer and to increase the amount of ice.
- Whenever selection switch is pressed, selection/release, the LED will turn ON or OFF.
- If there is a power cutage and the refrigerator is power on again, EXPRESS FREEZING function will be canceled.
- To activate these function, to press the Express Freezing key and the LED will turn ON. This function will remain activated for 24 hrs. The first three hours the compressor and Freezer Fan will be ON. The next 21 hours the freezer will be controlled at the lowest temperature. After 24 hours or if the Express Freezing key is pressed again, the freezer will return to its previous temperature.
- For the first three hours notice the following cases:
 - Compressor and freezer fan (HIGH RPM) continuously operate for three hours.
 - If defrost starts during EXPRESS FREEZING, EXPRESS FREEZING operates for the rest of time after defrost is completed, when EXPRESS FREEZING operation time is less than 90 minutes.
If EXPRESS FREEZING operates for more than 90 minutes, the EXPRESS FREEZING will operate for two hours after defrost is completed.
 - If EXPRESS FREEZING is pressed during defrost, EXPRESS FREEZING LED is on but this function will start seven minutes after defrost is completed and it shall operate for three hours.
 - If EXPRESS FREEZING is selected within seven minutes after compressor has stopped, the compressor (compressor delays seven minutes) shall start after the balance of the delay time.
 - The fan motor in the freezer compartment runs at high speed during EXPRESS FREEZING .
- For the rest of the 21 hours, the freezer will be controlled at the lowest temperature.

8-1-6 REFRIGERATOR LAMP AUTO OFF

- To avoid heat damage caused by the lamp, it is turned off automatically when the refrigerator door is open for more than 7 minutes.

8-1-7 Alarm for Open Door

- This feature sounds a buzzer when the freezer or refrigerator door is not closed within 1 minute after it is opened.
- One minute after the door is opened, the buzzer sounds three times each for 1/2 seconds. These tones repeat every 30 seconds.
- The alarm is cancelled when the freezer or the refrigerator is closed while the buzzer sounds.



8-1-8 Buzzer Sound

When the button on the front Display is pushed, a Ding~ Dong~ sound is produced.
(Refer to the Buzzer Circuit 8-2-4 No. 3)

8-1-9 Defrosting (removing frost)

1. Defrosting starts each time the COMPRESSOR running time reaches 7 hours.
2. For initial power on or for restoring power, defrosting starts when the compressor running time reaches 4 hours.
3. Defrosting stops if the sensor temperature reaches 46.4°F(8°C) or more. If the sensor doesn't reach 46.4°F(8°C) in 2 hours, the defrost mode is malfunctioning. (Refer to the defect diagnosis function, 8-1-13.)
4. Defrosting won't function if its sensor is defective (wires are cut or short circuited)

8-1-10 Filter Replacement Indication

1. In 6 months after the UNIT (refrigerator) is power on, or after 28,000 seconds of dispenser use, the water filter Indicator LED (red color) will be ON.
2. When the water filter indicator LED is illuminated, you should change the water filter. After this, you must press the water filter button for three seconds and you will hear a ding-dong sound.
The LED will be OFF. This operation will indicate that the UNIT is reset to its initial conditions, so this process is restarted.

8-1-11 Power Failure Compensation Function

1. When the UNIT is power off, the Fresh Food and Freezer Temperature notches, the filter elapsed time for replacement, the temperature mode (°C or °F) and the dispenser lock mode are saved in the EEPROM.
2. When the UNIT is power on, the MICOM will read the specified EEPROM addresses to restore the values indicated in the previous paragraph.

8-1-12 Electrical Parts Are Turned On Sequentially

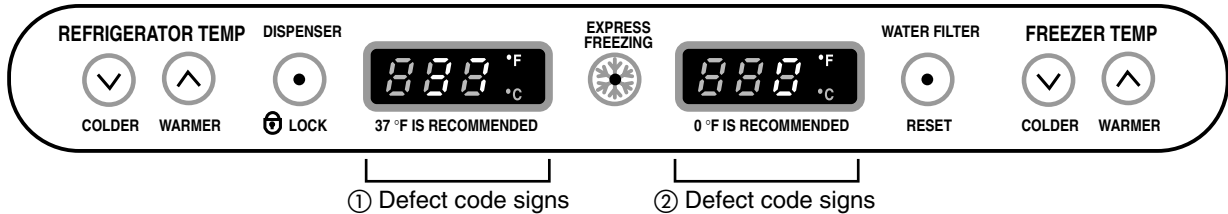
Electrical parts such as COMP, defrosting heater, freezer FAN, etc. are turned on in the following order to prevent noise and parts damage. Several parts are started at the same time at initial power on and are turned off together when TEST is completed.

OPERATING		ORDERS				
Initial power on	Temperature of Defrosting Sensor is 113°F(45°C) or more (when unit is newly purchased or when moved)	POWER ON	in 1/2 second →	COMP ON	in 1/2 second →	Freezer FAN ON
	Temperature of defrosting sensor is lower than 113°F(45°C) (when power cuts, SERVICE)	POWER ON	in 1/2 second →	Defrosting heater ON	in 10 second →	Defrosting heater OFF
		in 1/2 second →	COMP ON	in 1/2 second →	Freezer FAN ON	
	Reset to normal operation from TEST MODE	Total load OFF	in 7 minute →	COMP ON	in 1/2 second →	Freezer FAN ON

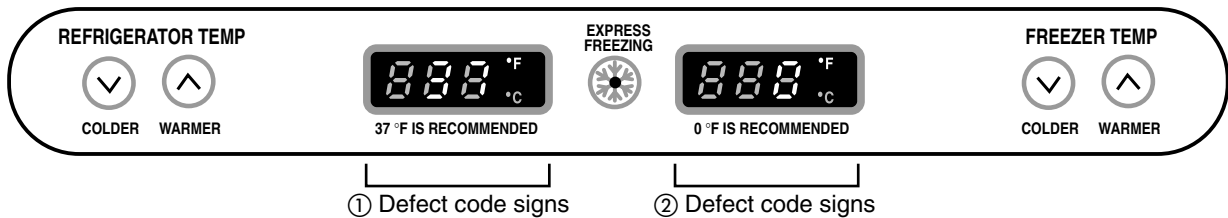
8-1-13 Defect Diagnosis Function

1. Automatic diagnosis makes servicing the refrigerator easy.
2. When a defect occurs, the buttons will not operate; but the tones. such as ding. will sound.
3. When the defect CODE removes the sign, it returns to normal operation (RESET).
4. The defect CODE shows on the Refrigerator and Freezer Display.

DISPENSER MODEL



BEST MODEL



ERROR CODE on display panel

NO	ITEM	ERROR CODE		CONTENTS	REMARKS
		①	②		
1	Failure of freezer sensor	<i>Er</i>	<i>F5</i>	Cut or short circuit wire	Inspect Connecting wires on each sensor
2	Failure of Refrigerator sensor	<i>Er</i>	<i>r5</i>	Cut or short circuit wire	
3	Failure of defrost sensor	<i>Er</i>	<i>d5</i>	Cut or short circuit wire	
4	Failure of defrost mode	<i>Er</i>	<i>dH</i>	When defrost sensor doesn't reach 8°C within 2 hours after starting defrost.	Snapping of defrost heater or Temperature fuse, pull-out of Connector (indicated minimum 2 Hours after failure occurs)
5	Failure of BLDC FAN MOTOR at freezing compartment.	<i>Er</i>	<i>FF</i>	If there is no fan motor signal For more than 65sec. in Operation fan motor	Poor motor, hooking to Wires of fan, contact of structures to fan, snapping or short circuit of Lead wire

8-1-14 TEST Mode

1. The Test mode allows checking the PCB and the function of the product as well as finding out the defective part in case of an error.
2. The test mode is operated by pressing two buttons at Display panel.
3. While in the test mode, the function control button is not recognized, but the recognition tone (beep~) sounds.
4. After exiting the test mode, be sure to reset by unplugging and then plugging in the appliance.
5. If an error, such as a sensor failure, is detected while in the test mode, the test mode is cleared and the error code is displayed.
6. While an error code is displayed, the test mode will not be activated.

MODE	MANIPULATION	CONTENTS	REMARKS
TEST1	Push Express Freezing key and COLDER KEY of Freezer Temp. at the same time over 3 seconds.	<ol style="list-style-type: none"> 1. Continuous operation of the COMPRESSOR 2. Continuous operation of the freezer fan 3. STEPPING DAMPER OPEN 4. Defrosting Heater OFF 5. Every DISPLAY LED ON 	
TEST2	Push Express Freezing key and COLDER KEY of Freezer Temp. at the same time over 3 seconds in TEST MODE 1	<ol style="list-style-type: none"> 1. COMP OFF 2. Freezer FAN OFF 3. STEPPING DAMPER CLOSE 4. Defrosting heater ON 5. DISPLAY LED shows 222 	Reset if the temperature of the Defrosting sensor is 46°F(8°C) or more.
Reset	Push Express Freezing key and COLDER KEY of Freezer Temp. at the same time over 3 seconds. in TEST MODE 2	Reset to the previously setting before TEST MODE	The compressor will Start after a 7-minute delay.

NOTE : LED CHECK MODE: When the WARMER button in the refrigerator temperature control and the WARMER button in the freezer temperature control are pushed and held for 1 second or longer, every LED on the display turns on at the same time. When the buttons are released, the previous mode is restored.

* Freezer Fan RPM Variable Check:

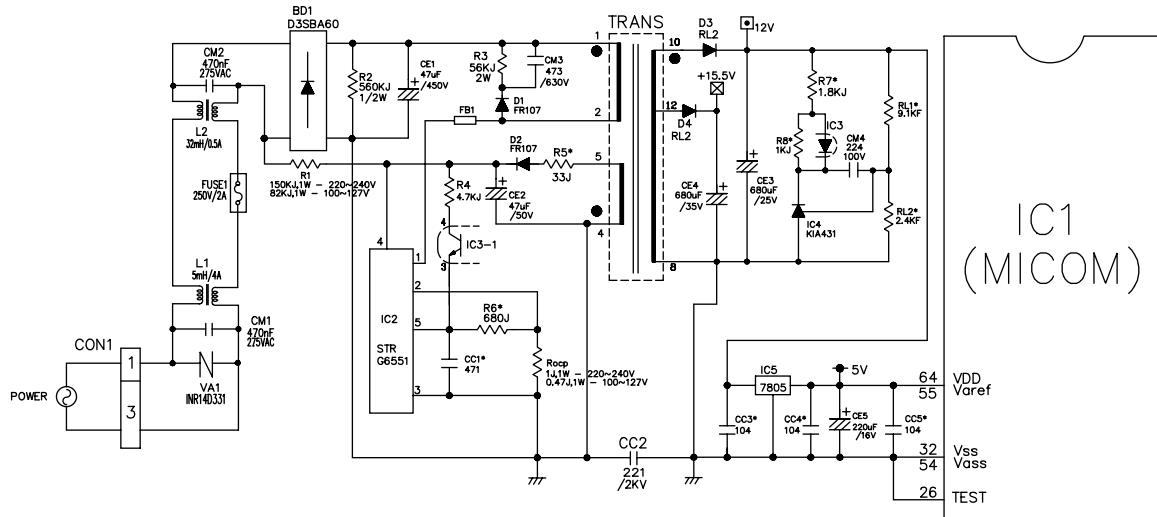
In case the freezer fan is in operation when the WARMER KEY in Refrigerator and Freezer Temp. Control are pressed for more than one second at the same time freezer fan RPM changes. (for example if high speed, to normal speed or if normal speed, to high speed for 30 seconds)
After 30 seconds, it turns to its original RPM.

* Demonstration MODE:

1. When the WARMER KEY of refrigerator Temp. control or of freezer Temp. control in the the warmest temperature's status are pushed and held for 3 seconds or longer, It converts to Demonstration Mode.
2. It shows **OFF** on the display panel.
3. In this status, all Loads are off (Compressor / Fan / Damper / Heater)
(Even is Demonstration Mode, the refrigerator Lamp automatic off function works normally and can be demonstrated)
4. Exit the test mode and reset the display by pressing the COLDER and WARMER buttons.

8-2 PCB FUNCTION

8-2-1 Power Circuit



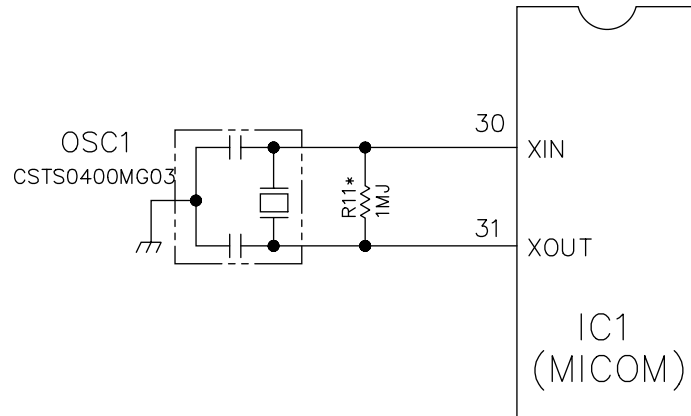
The secondary part of the TRANSFORMER is composed of the power supply for the display, the BLDC FAN Motor drive (15.5 V), the relay drive (12 Vdc) and the MICOM and IC (5 Vdc).

The voltage for each part is as follows:

PART	VA 1	CE 3	CE 4	CE 5
VOLTAGE	115 Vac	12 Vdc	15.5 Vdc	5 V

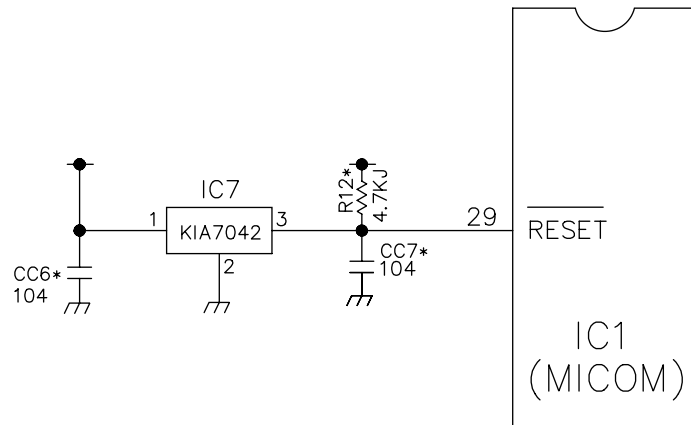
VA1 is a part for preventing over voltage and noise. When 385V or higher power is applied, the inside elements are short-circuited and broken, resulting in blowout of the fuse in order to protect the elements of the secondary part of the TRANSFORMER.

8-2-2 Oscillation Circuit



This circuit generates the base clock for calculating time and the synchro clock for transmitting data from and to the inside logic elements of the IC1 (MICOM). Be sure to use specific replacement parts, since calculating time by the IC1 may be changed. If changed, the OSC1 SPEC will not work.

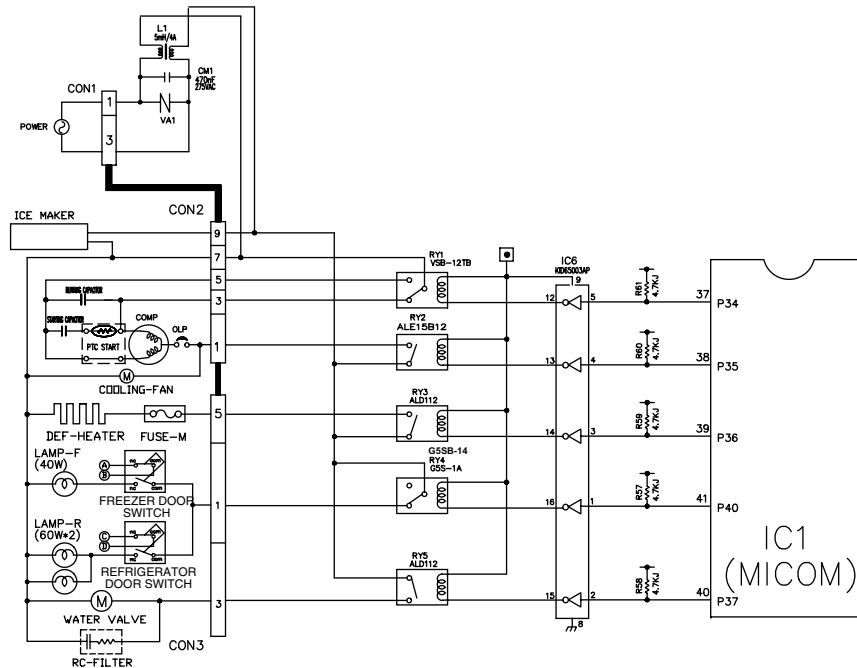
8-2-3 Reset Circuit



The RESET circuit allows all the functions to start at the initial conditions by initializing various parts, including the RAM inside the MICOM (IC1) when the power is initially supplied or the power supply to the MICOM is restored after a momentary power failure. For the initial 10ms of power supply, LOW voltage is applied to the MICOM RESET terminal. During a normal operation, 5V is applied to the RESET terminal. (If a malfunction occurs in the RESET IC, the MICOM will not operate.)

8-2-4 Load / Buzzer Drive & Open Door Detection Circuit

1. Load Drive Condition Check

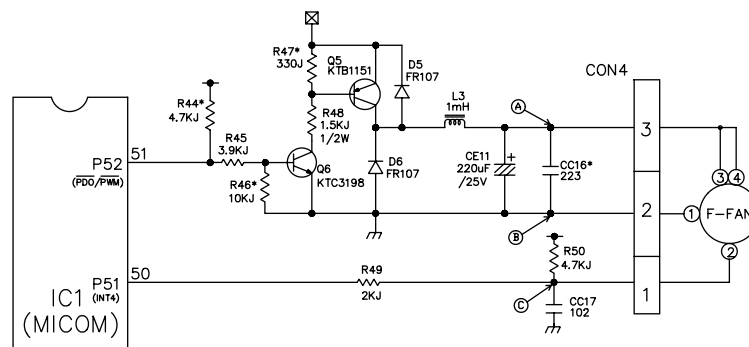


LOAD TYPE		COMP	DEFROSTING HEATER	LAMP	TCM POWER MODE (OPTIONAL)	VALVE (DISPENSER MDL)
Measurement Location (IC6)		NO.13	NO.14	NO.16	NO.12	NO.15
Condition	ON	1V or below				
	OFF	12V				

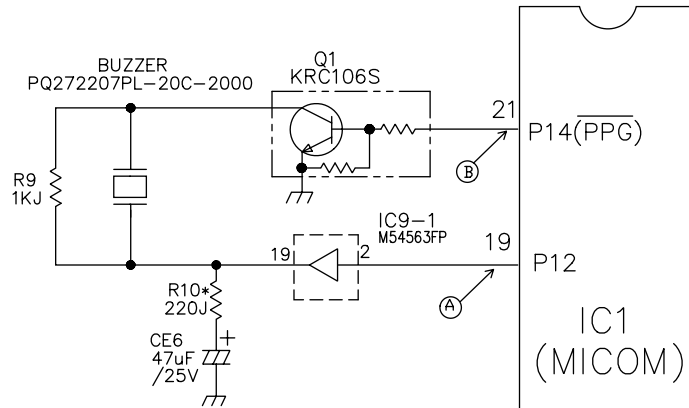
2. Fan motor driving circuit (freezing compartment fan)

1. This circuit makes standby power 0 by cutting off power supplied to ISs inside of the fan motor in the fan motor OFF.
2. This is a circuit to perform a temporary change of speed for the fan motor and applies DC voltage up to 7.5V ~ 16V to motor.
3. This circuit prevents over-driving the fan motor by cutting off power applied to the fan motor in the lock of fan motor by sensing the operation RPM of the fan motor.

	Ⓐ part	Ⓑ part	Ⓒ part
MOTOR OFF	2V or less	0V	5V
MOTOR ON	13V~15V	0V	2V~3V

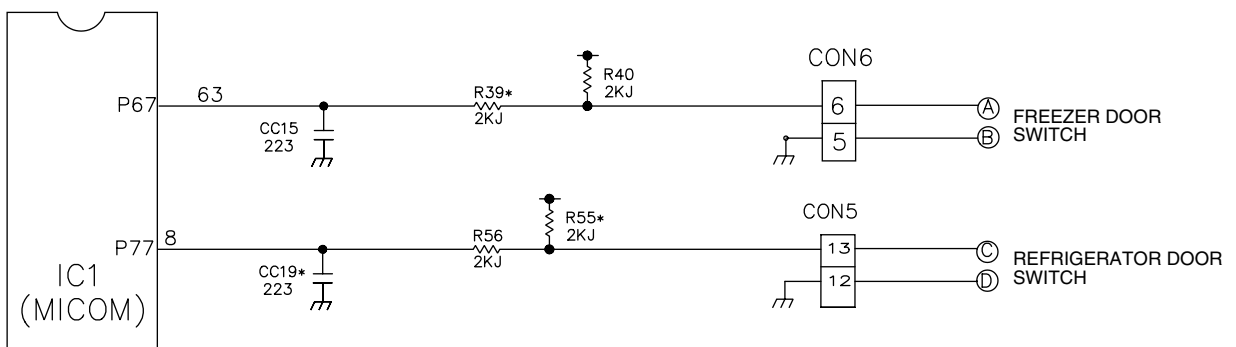


3. Buzzer Drive Condition Check



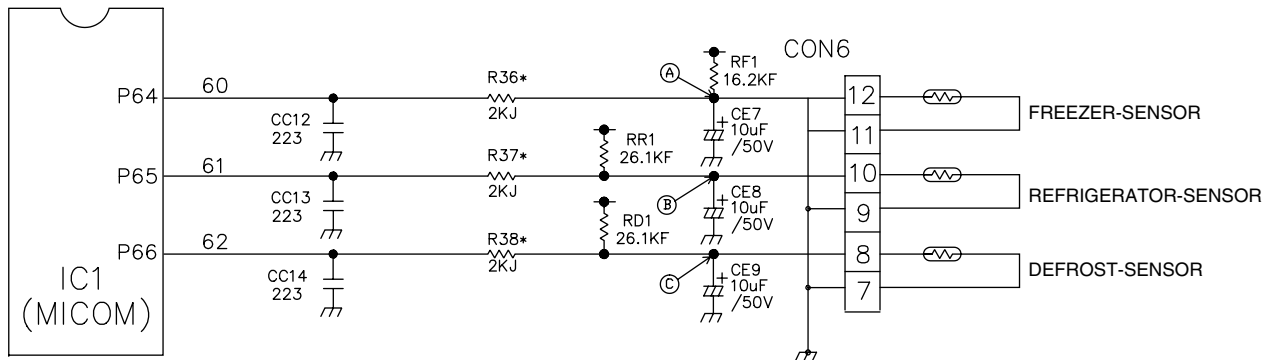
Condition Measurement Location	Tone (Ding~Dong~) when the button on the display is pushed.	Alarm for open door (beep-beep-beep)	OFF
IC1 (A)			0 V
IC1 (B)			0 V

4. Open Door Detection Circuit Check



Measurement Location Freezer/ Refrigerator Door	(PIN NO.63 & PIN NO.8)
Closed	5 V
Open	0 V

8-2-5 Temperature Sensor Circuit

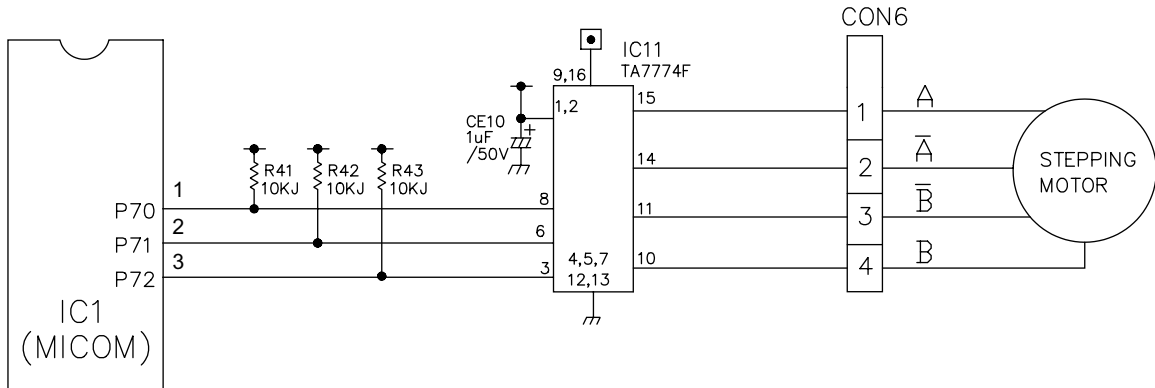


The upper CIRCUIT reads REFRIGERATOR temperature, FREEZER Temperature, and DEFROST-SENSOR temperature for defrosting and the indoor temperature for compensating for the surrounding temperature into MICOM. OPENING or SHORT state of each TEMPERATURE SENSOR are as follows:

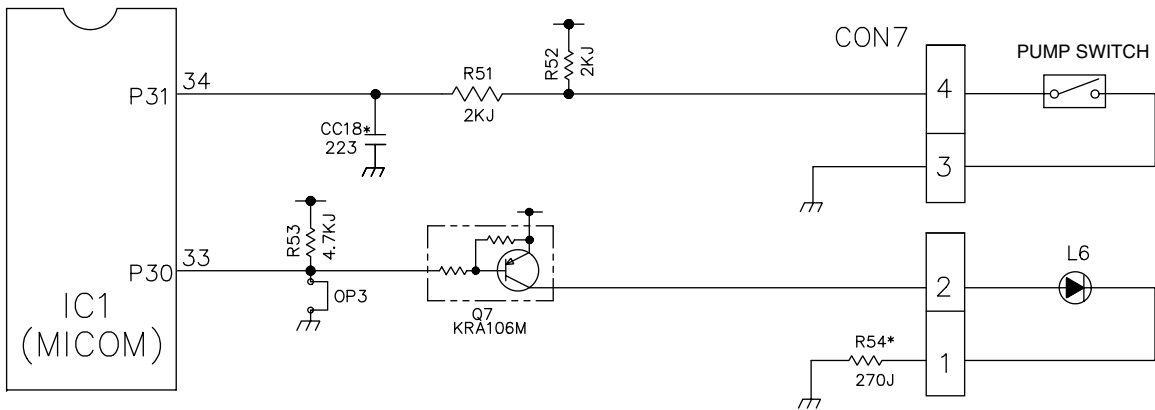
SENSOR	CHECK POINT	NORMAL (-30°C ~ 50°C)	SHORT-CIRCUITED	OPEN
Freezer Sensor	POINT (A) Voltage	0.5 V ~ 4.5 V	0 V	5 V
Refrigerator Sensor	POINT (B) Voltage			
Defrosting Sensor	POINT (C) Voltage			

8-2-6 Refrigeration Compartment Stepping Motor Damper Circuit

* The circuit shown below is the damper circuit to regulate the refrigerator temperature.

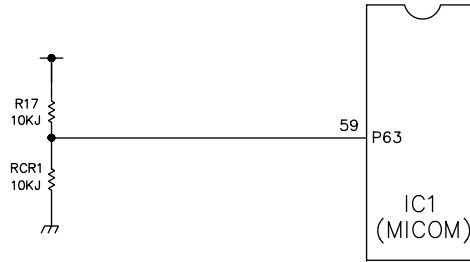


8-2-7 Dispenser Input/LED Output Circuit



8-2-8 Temperature Compensation & Overcooling/Undercooling Compensation Circuit

1. Refrigerator Temperature Compensation



Refrigerator		Remark
Resistance (RCR)	Temperature Compensation	
180 KΩ	+2.5°C	Compensation by raising the temperature ↑
56 KΩ	+2.0°C	
33 KΩ	+1.5°C	
18 KΩ	+1.0°C	
12 KΩ	+0.5°C	
10 KΩ	0 °C	Standard Temperature
8.2 KΩ	-0.5°C	Compensation by lowering the temperature ↓
5.6 KΩ	-1.0°C	
3.3 KΩ	-1.5°C	
2 KΩ	-2.0°C	
470 Ω	-2.5°C	

Table of Temperature Compensation by adjusting the resistance (difference from the current temperature) e.g., If the refrigerator compensation resistance (RCR) is changed from 10K (the current resistance) to 18K (the adjustment resistance), the temperature of the refrigerator rises 33.8°F(+1°C).

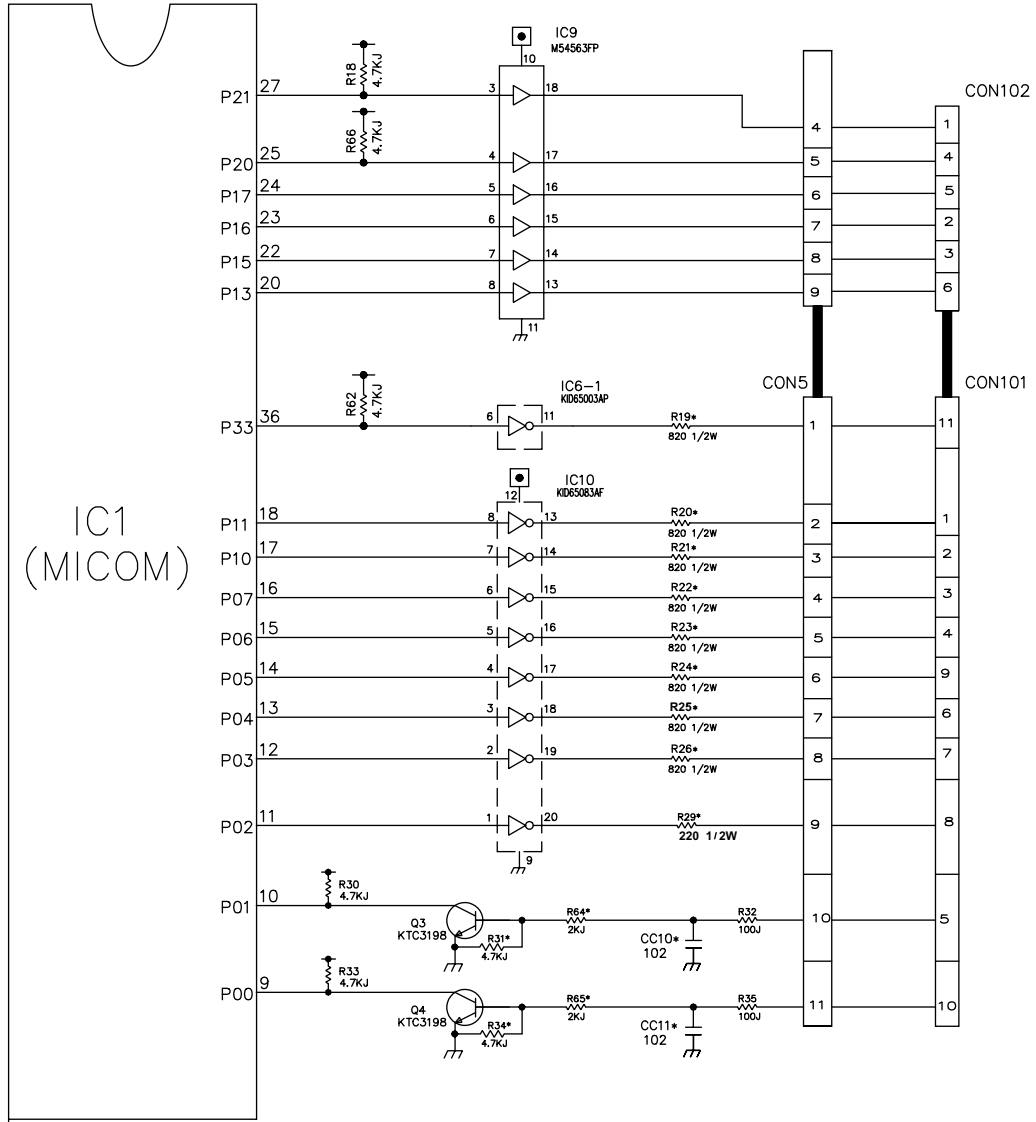
2. The temperature compensation for refrigerator compartment is in the following table:

	Revised resistance	470Ω	2kΩ	3.3kΩ	5.6kΩ	8.2kΩ	10kΩ	12kΩ	18kΩ	33kΩ	56kΩ	180kΩ
	Present resistance											
Refrigerator (RCR)	470Ω	No change	0.5°C Up	1°C Up	1.5°C Up	2°C Up	2.5°C Up	3°C Up	3.5°C Up	4°C Up	4.5°C Up	5°C Up
	2kΩ	0.5°C Down	No Change	0.5°C Up	1°C Up	1.5°C Up	2°C Up	2.5°C Up	3°C Up	3.5°C Up	4°C Up	4.5°C Up
	3.3kΩ	1°C Down	0.5°C Down	No Change	0.5°C Up	1°C Up	1.5°C Up	2°C Up	2.5°C Up	3°C Up	3.5°C Up	4°C Up
	5.6kΩ	1.5°C Down	1°C Down	0.5°C Down	No Change	0.5°C Up	1°C Up	1.5°C Up	2°C Up	2.5°C Up	3°C Up	3.5°C Up
	8.2kΩ	2°C Down	1.5°C Down	1°C Down	0.5°C Down	No Change	0.5°C Up	1°C Up	1.5°C Up	2°C Up	2.5°C Up	3°C Up
	10kΩ	2.5°C Down	2°C Down	1.5°C Down	1°C Down	0.5°C Down	No Change	0.5°C Up	1°C Up	1.5°C Up	2°C Up	2.5°C Up
	12kΩ	3°C Down	2.5°C Down	2°C Down	1.5°C Down	1°C Down	0.5°C Down	No Change	0.5°C Up	1°C Up	1.5°C Up	2°C Up
	18kΩ	3.5°C Down	3°C Down	2.5°C Down	2°C Down	1.5°C Down	1°C Down	0.5°C Down	No Change	0.5°C Up	1°C Up	1.5°C Up
	33kΩ	4°C Down	3.5°C Down	3°C Down	2.5°C Down	2°C Down	1.5°C Down	1°C Down	0.5°C Down	No Change	0.5°C Up	1°C Up
	56kΩ	4.5°C Down	4°C Down	3.5°C Down	3°C Down	2.5°C Down	2°C Down	1.5°C Down	1°C Down	0.5°C Down	No Change	0.5°C Up
180kΩ	5°C Down	4.5°C Down	4°C Down	3.5°C Down	3°C Down	2.5°C Down	2°C Down	1.5°C Down	1°C Down	0.5°C Down	No Change	

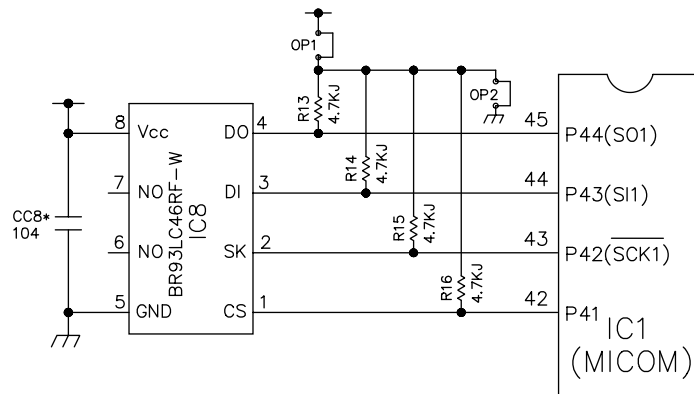
NOTE: This circuit is designed to input the necessary temperature compensation values into the MICOM. This adjusts the refrigerator temperature, which is different in each model.

8-2-9 Key Button Input & Display Light-On Circuit

▶ The circuit shown above determines whether a function control key on the operation display is pushed. It also turns on the corresponding function indication LED (LED Module) SEVEN SEGMENT DISPLAY (SEVEN SEGMENT DISPLAY MODULE). The drive type is the scan type



8-2-10 Power Failure Compensation Circuit (DISPENSER MODEL)



8-3 RESISTANCE SPECIFICATION OF SENSOR

TEMPERATURE DETECTED BY SENSOR	RESISTANCE OF FREEZER SENSOR	RESISTANCE OF REFRIGERATOR & DEFROST SENSOR & ROOM SENSOR
- 20 °C	22.3 KΩ	77 KΩ
- 15 °C	16.9 KΩ	60 KΩ
- 10 °C	13.0 KΩ	47.3 KΩ
- 5 °C	10.1 KΩ	38.4 KΩ
0 °C	7.8 KΩ	30 KΩ
+ 5 °C	6.2 KΩ	24.1 KΩ
+ 10 °C	4.9 KΩ	19.5 KΩ
+ 15 °C	3.9 KΩ	15.9 KΩ
+ 20 °C	3.1 KΩ	13 KΩ
+ 25 °C	2.5 KΩ	11 KΩ
+ 30 °C	2.0 KΩ	8.9 KΩ
+ 40 °C	1.4 KΩ	6.2 KΩ
+ 50 °C	0.8 KΩ	4.3 KΩ

- The resistance of the SENSOR has a $\pm 5\%$ common difference.
- Measure the resistance of the SENSOR after leaving it for over 3 minutes in the measuring temperature. This delay is necessary due to sensor response speed.

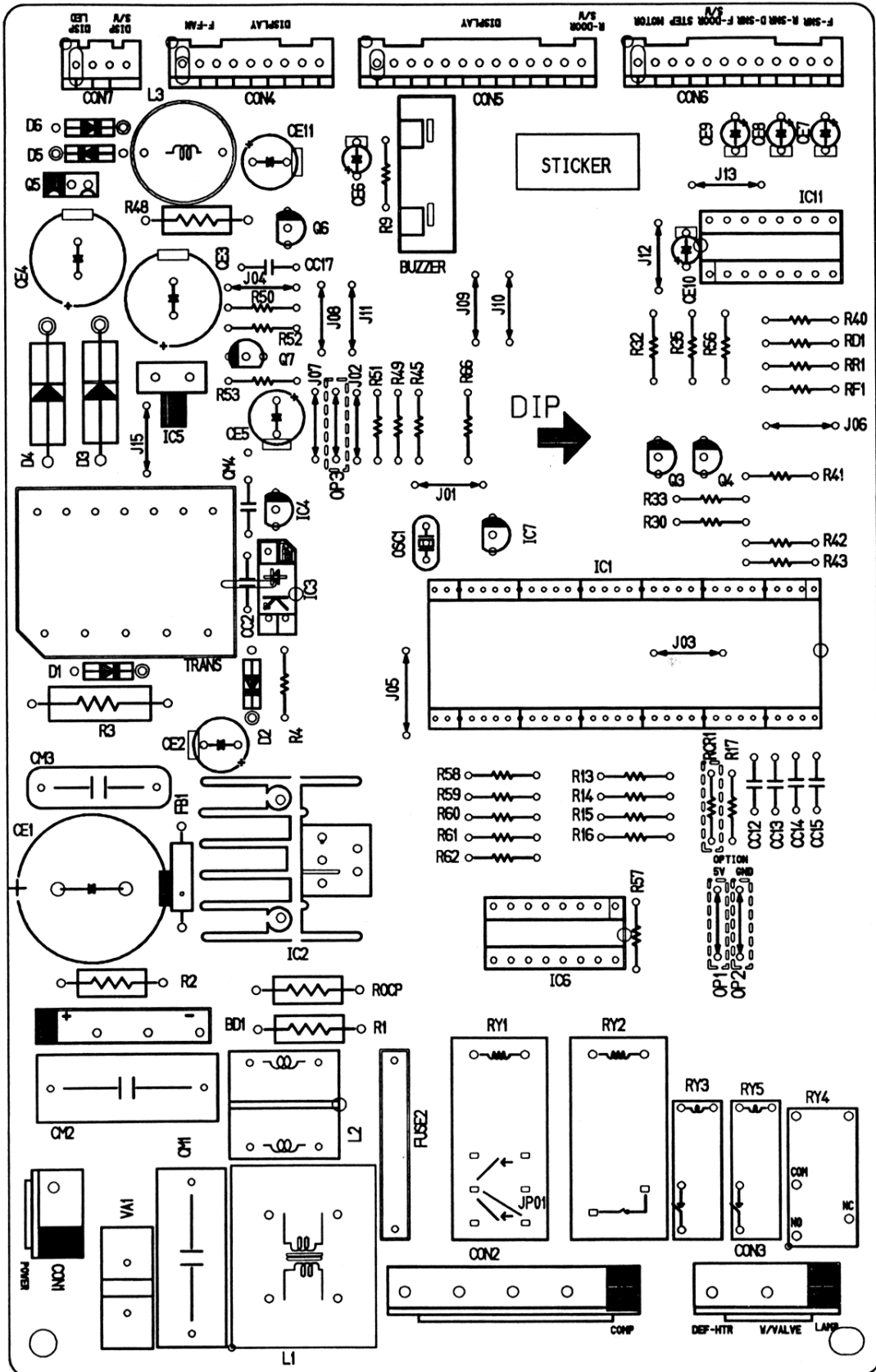
8-4 TROUBLESHOOTING

PROBLEM	INDICATED BY	CHECK	CHECKING METHOD	CAUSE	SOLUTION	
POWER SOURCE is poor.	1. The whole DISPLAY LED/SEVEN SEGMENT DISPLAY is off. 2. DISPLAY LED/SEVEN SEGMENT DISPLAY operates abnormally	1. FREEZER/REFRIGERATOR.	Check if FREEZER/REFRIGERATOR DOOR IS OPEN and check display.	POWER SOURCE is poor.	Check outlet Voltage.	
		2. If LAMP is dim.	Check visually.	Applied voltage error.	Use boosting TRANS.	
		3. The connection of the MAIN PWB CONNECTOR.	Check connection of CONNECTOR.	CONNECTOR connection is poor.	Reconnect CONNECTOR.	
COOLING is poor.	NO COOLING.	1. If the COMPRESSOR operate.	USE TEST MODE1 (forced COOLING). If less than 7 minutes pass after compressor shuts off, don't press the KEY and wait.	TRANS FUSE is open.	Replace TRANS.	
				COMPRESSOR locked or blocked.	Replace COMPRESSOR.	
				OLP, PTC is poor. COMPRESSOR RELAY is poor.	Replace OLP, PTC. Replace MAIN PWB.	
FREEZER TEMPERATURE is incorrect	1. If FAN MOTOR operates.	2. If refrigerant is leaking.	Measure the amount of frost sticking on EVAPORATOR and the surface temperature of the condenser pipe.	THE CONNECTING WIRE is poor.	Check the connection of the black wire of the MAIN PWB CONNECTOR (CON2).	
				Refrigerant leakage.	Replace the leaking part and replace any lost refrigerant.	
				FAN MOTOR is poor.	Replace the FAN MOTOR.	
FREEZER TEMPERATURE is incorrect	1. If FAN MOTOR operates.	2. If DEFROSTING is normal.	Check the amount of frost sticking on the EVAPORATOR.	CONNECTING WIRE is poor.	Certify the MOTOR and the connection of the black wire of the MAIN PWB CONNECTOR (CON2).	
				DEFROSTING is poor.	See DEFROSTING is poor.	
				3. If SENSOR is normal.	Check the resistance of the Refrigerator SENSOR.	Replace SENSOR.
				4. Door Line contact.	Check the seal when the door is closed.	Replace door liner.

PROBLEM	INDICATED BY	CHECK	CHECKING METHOD	CAUSE	SOLUTION
COOLING is poor.	If REFRIGERATOR TEMPERATURE is too low.	1. If FREEZER TEMPERATURE is normal.	Check is FREEZER TEMPERATURE is too low.		Make sure the DOOR is attached. Replace FAN MOTOR.
		2. If amount of cool air from FAN MOTOR is sufficient.	Make sure that the amount and speed of cool air are sufficient by touching the check supplied on the REFRIGERATOR.	FAN MOTOR is poor. Passage of cool air is blocked. EVA frozen.	Remove impurities. See DEFROSTING is poor.
		3. Door Line contact.	Check door seal when door is closed.	Door liner damaged.	Replace Door liner.
DEFROSTING is poor.	NO DEFROSTING.	1. If HEATER emits heat.	USE TEST MODE2 (forced DEFROSTING).	HEATER disconnection.	Replace HEATER.
				TEMPERATURE FUSE disconnection.	Replace TEMPERATURE FUSE.
				Connection is poor.	Check EVAPORATOR connection and wire of MAIN PWB CONNECTOR.
				DEFROST-SENSOR is poor.	Replace DEFROST-SENSOR.
				HEATER RELAY is poor.	Replace RY3 of MAIN PWB.
		2. If DRAIN PIPE is blocked.	Check DRAIN PIPE.	DRAIN PIPE is blocked.	Remove ice and impurities. Check HEATER PLATE resistance.
		3. If ice remains after DEFROSTING.	Make sure that DEFROST SENSOR is connected. Make sure that FREEZER/REFRIGERATOR DOOR is closed.	Connection is poor. DOOR does not close properly.	Reassemble the DEFROST-SENSOR. Reassemble DOOR. Replace GASKET.

8-5 MAIN PWB ASSEMBLY AND PARTS LIST

8-5-1 Main PWB Assembly

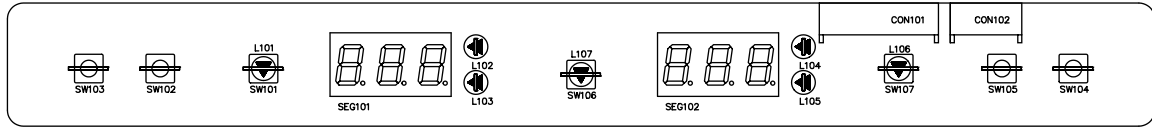


8-5-2 Replacement Parts List

No	P/N/O	DESCRIPTION	SPEC	MAKER	REMARK
1	6670_BB087D	PWB(PCB)	KS-PJT BEST	DOO SAN	T-1,6
2	6170_BB2012A	TRANSFORMER, SMPS COIL 1	KS-PJT 220-240V	SAM IL	TRANS
3	6170_BB2012B	TRANSFORMER, SMPS COIL 1	KS-PJT 100-127V	SAM IL	TRANS
4	6630A09106A	CONNECTOR (ICIRC1), WAFER	YK36-03AV	YEON HO	CON1
5	6630A09106B	CONNECTOR (ICIRC1), WAFER	YK396 YEONHO 9P 3.96MM AV	YEON HO	CON2
6	6630A09106H	CONNECTOR (ICIRC1), WAFER	YK396 YEONHO 9P 3.96MM AV	YEON HO	CON3
7	6630_BB007H	CONNECTOR (ICIRC1), WAFER	917787-1 AMP 9P 2.5MM STRAIGHT SN	AMP	CON4
8	6630_BB007A	CONNECTOR (ICIRC1), WAFER	917791-1 AMP 13PIN 2.5MM STRAIGHT SN	AMP	CON5
9	6630_BB007L	CONNECTOR (ICIRC1), WAFER	917790-1 AMP 12P 2.5MM STRAIGHT SN	AMP	CON6
10	6630_BB007C	CONNECTOR (ICIRC1), WAFER	917782-1 AMP 4P 2.5MM STRAIGHT SN	AMP	CON7
11	01SK655100A	IC, SANKEN	STR-6551 5PIN BK SMPS 2,4PIN FORM	SANKEN	IC2
12	01ZZ_BB2024D	IC, DRAWING	TMF870X40AN 64PIN, SDIP BK KS-PJT MASK 1	TOSHIBA	IC11-01ZZ_BB2024R1
13					
14	01PM6NE001A	IC, TOSHIBA	1TL727F 4P BK PHOTO COUPLER	TOSHIBA	IC3
15	01KE431000A	IC, KEC	K1A43L 3 PIN TP - -	KEC	IC4
16	01KE780500W	IC, KEC	K1A7805P1 - - -	KEC	IC5
17	01KE650830B	IC, KEC	K1D6508AE 2050P LED DRIVER	KEC	IC10
18	01KE650030B	IC, KEC	K1D65003AP 16P SDIP BK DRIVE	KEC	IC6
19	01STLM001A	IC, STANDARD LOGIC	M54563P 20 R/TIP CONVERT	MITSUBISHI	IC9
20	01KE704200A	IC, KEC	K1A7042P 3P BK RESET	KEC	IC7
21	01U777400A	IC, TOSHIBA	1A7774AP 16, SDIP BK DRIVE IC STEPPING M	TOSHIBA	IC8
22	01R4934600D	IC, ROHM	R49346GF W SPIN SOP BK EEPROM -	ROHM	IC11
23	000000001A	RELAY	AL63B12 MATSUSHITA 12V 16A 15.6V 1A	NAIS	RY2
24	6920AL2001A	RELAY	AL212B12 NAIS 250VAC 16A 12VDC IC NO VENTING	NAIS	-
25	6920_BB2005B	RELAY	G58B-14 250VAC 5A 12VDC IC	OMRON	RY4
26	6920_BB2007A	RELAY	V58-121B TAKAMISAWA DC12V 60MA 250V IC	FUJITSU	RY1
27	6920A90002A	RELAY	ALD112 NAIS1TH(A)DC12V 3A 12V 16.6mA 1A	NAIS	RY3
28	6212_BB001B	RESONATOR, CERAMIC	CST50400M03 MURATA 4MHZ TP	MURATA	RY5
29	6102_BB003A	VARIABLE	INR14D271 ILJIN UL/VDE TP 270V	ILJIN	OS1
30	6102_BB001B	VARIABLE	INR14D261 ILJIN UL/VDE BK 620V	ILJIN	VA1
31	00R107009AA	DIODE, RECTIFIERS	FR107 TP DELTA D041 1000V 1A 3	DELTA	DI_02, D5, D6
32	00RS400070A	DIODE, RECTIFIERS	RL2 SANKEN BK NON 400V 2A 40A 50NSEC 10UA	SANKEN	D3, D4
33	00B360000AA	DIODE, RECTIFIERS	D3BAG60 BK SHINDENGEN 600V 4A	SHINDENGEN	BD1
34	6102W5V006A	VARIABLE	INR14D31K ILJIN UL/CSA/VDE BK	ILJIN	VA1
35	0CE476ZV6E0	CAPACITOR, FIXED ELECTROLYTIC	47UF HE 450V 20% BULK 9NAP INT1051	SAM WHA	CE1
36	0CE476BK63B	CAPACITOR, FIXED ELECTROLYTIC	47UF KME TYPE 50V 20% FMS TP 5 (11051)	SAM WHA	CE2
37	0CE1076F63B	CAPACITOR, FIXED ELECTROLYTIC	100UF SMS, S6 25V 20% FMS TP 5	SAM WHA	CE12
38	0CE687H4E0B	CAPACITOR, FIXED ELECTROLYTIC	680UF RK 250V 20% BULK 9NAP INT1051	SAM WHA	CE3
39	0CE687YJ61B	CAPACITOR, FIXED ELECTROLYTIC	680UF RK 35V 0.2 TP 5 FL11051	SAM WHA	CE4
40	0CE227B6F63B	CAPACITOR, FIXED ELECTROLYTIC	220UF KME TYPE 16V 20% FMS TP 5(11051)	SAM WHA	CE5
41	0CE227B6E63B	CAPACITOR, FIXED ELECTROLYTIC	220UF RS TYPE 25V 20% FMS TP 5(11051)	SAM WHA	CE11
42	0CE105BK63B	CAPACITOR, FIXED ELECTROLYTIC	1UF KME TYPE 50V 20% FMS TP 5(11051)	SAM WHA	CE10
43	0CE476BK63B	CAPACITOR, FIXED ELECTROLYTIC	47UF KME TYPE 25V 20% FMS TP 5(11051)	SAM WHA	CE6
44	0CE106EK63B	CAPACITOR, FIXED ELECTROLYTIC	10UF KMG 50V 20% FMS TP 5(11051)	SAM WHA	CE7-CE9
45	00H471K1562	CAPACITOR, FIXED CERAMIC (HIGH DIELECTRIC)	470PF 50V K X7R1X1 1608 R/TP	MURATA	CC1
46	00X2210R61A	CAPACITOR, FIXED CERAMIC (HIGH DIELECTRIC)	250PF D 250V 10% -10% B1V5P1 R/TP	SAM WHA	CC2
47	00X104K94A	CAPACITOR, FIXED CERAMIC (HIGH DIELECTRIC)	100NF 2012 50V R/TP (GRM40X7R104K50PE)	MURATA	CC3-CC7
48	00X102K959	CAPACITOR, FIXED CERAMIC (HIGH DIELECTRIC)	1000PF 50V K B T AS2	MURATA	CC17
49	00X2230K96A	CAPACITOR, FIXED CERAMIC (HIGH DIELECTRIC)	22NF 2012 50V 80%, -20% R/TP X7R	MURATA	CC16, CC18, CC19
50	00X2230K949	CAPACITOR, FIXED CERAMIC (HIGH DIELECTRIC)	22NF 50V Z F AS2	MURATA	CC12-CC15
51	00X102K96A	CAPACITOR, FIXED CERAMIC (HIGH DIELECTRIC)	1NF 2012 50V 80%, -20% R/TP X7R	MURATA	CC10
52	00C47418670	CAPACITOR, FIXED FILM	0.47UF D 275V M/W P/N R	PILKOR	CM1, CM2
53	00F22408670	CAPACITOR, FIXED FILM	220NF D 275V 20% BULK M/W P/N	PILKOR	-
54	00A4732143D	CAPACITOR, FIXED FILM	47000PF S 630V -10%PE NI R	SAM WHA	CM3
55	00C2241E63D	CAPACITOR, FIXED FILM	0.22UF D 100V M/W P/N R	SAM WHA	CM4
56	00C2231N409	CAPACITOR, POLYESTER	0.022UF D 100V J PE TP	SAM WHA	CM5
57	0R_2200H672	RESISTOR, METAL GLAZED (CHIP)	220 OHM 1/2 W 5%, 2012 R/TP	SMART, CHOHYANG	R29
58	0RS1503J609	RESISTOR, FIXED METAL OXIDE FILM	150K OHM 1W 5.00% TA52	SMART, CHOHYANG	R1
59	0RS8202609	RESISTOR, FIXED METAL OXIDE FILM	82K OHM 1W 5.00% TA52	SMART, CHOHYANG	R1
60	0RS010J609	RESISTOR, FIXED METAL OXIDE FILM	1 OHM 1 W 5.00% TA52	SMART, CHOHYANG	ROCP
61	0RS0470J609	RESISTOR, FIXED METAL OXIDE FILM	0.47 OHM 1 W 5.00% TA52	SMART, CHOHYANG	ROCP
62	0RS5502K641	RESISTOR, FIXED METAL OXIDE FILM	55K OHM 2 W 5.00% TA52	SMART, CHOHYANG	R3
63	0R_8200H672	RESISTOR, METAL GLAZED (CHIP)	820 OHM 1/2 W 5%, 2012 R/TP	SMART, CHOHYANG	R19-R26
64	0RD5016H609	RESISTOR, FIXED CARBON FILM	500K OHM 1/2 W 5.00% TA52	SMART, CHOHYANG	R19
65	0RD5016H609	RESISTOR, FIXED CARBON FILM	1.5K OHM 1/2 W 5.00% TA52	SMART, CHOHYANG	R48
66	0RD1000G609	RESISTOR, FIXED CARBON FILM	100 OHM 1/4 W 5.00% TA52	SMART, CHOHYANG	R32
67	0R_2200L622	RESISTOR, METAL GLAZED (CHIP)	220 OHM 1/8 W 2012 5.00% D	ROHM	R36
68	0RH470L622	RESISTOR, METAL GLAZED (CHIP)	4.7K OHM 1/8 W 2012 5.00% D	ROHM	R10, R12, R44, R31, R18
69	0RH100L622	RESISTOR, METAL GLAZED (CHIP)	10K OHM 1/8 W 2012 5.00% D	ROHM	R34
70	0R_0332E672	RESISTOR, FIXED CARBON FILM	33 OHM 1/8 W 5%, 2012 R/TP	ROHM	R46
71	0RD100IG609	RESISTOR, FIXED CARBON FILM	1K OHM 1/4 W 5.00% TA52	SMART, CHOHYANG	R5
72	0RH100L622	RESISTOR, METAL GLAZED (CHIP)	1K OHM 1/8 W 2012 5.00% D	ROHM	R8
73	0R_2001L622	RESISTOR, METAL GLAZED (CHIP)	2K OHM 1/8 W 2012 5.00% D	ROHM	R55, R64, R36-R39
74	0RD200IG609	RESISTOR, FIXED CARBON FILM	2K OHM 1/4 W 5.00% TA52	SMART, CHOHYANG	R40, R49, R51, R52, R56
75	0R_0330L622	RESISTOR, METAL GLAZED (CHIP)	330 OHM 1/8 W 2012 5.00% D	ROHM	R47
76	0RH100L622	RESISTOR, METAL GLAZED (CHIP)	1M OHM 1/8 W 2012 5.00% D	ROHM	R11
77	0RH6226409	RESISTOR, FIXED CARBON FILM	16.2K OHM 1/4 W 1.00% TA52	SMART, CHOHYANG	RF1
78	0RN26126409	RESISTOR, FIXED CARBON FILM	26.1K OHM 1/4 W 1.00% TA52	SMART, CHOHYANG	RF1, RF1
79	0RD350IG609	RESISTOR, FIXED CARBON FILM	3.5K OHM 1/4 W 5.00% TA52	SMART, CHOHYANG	R45
80	0RD470IG609	RESISTOR, FIXED CARBON FILM	4.7K OHM 1/4 W 5.00% TA52	SMART, CHOHYANG	R4, R30, R33, R50, R57-R62, R66
81	0R_6800E672	RESISTOR, METAL GLAZED (CHIP)	680 OHM 1/8 W 5%, 2012 R/TP	ROHM	R13-R16, R53
82	0RD1002G609	RESISTOR, FIXED CARBON FILM	10K OHM 1/4 W 5.00% TA52	SMART, CHOHYANG	R6
83	0RH100L622	RESISTOR, METAL GLAZED (CHIP)	1.8K OHM 1/8 W 2012 5.00% D	ROHM	R17, RCR1, R41-R43
84	0RD2702G609	RESISTOR, FIXED CARBON FILM	27K OHM 1/4 W 5.00% TA52	SMART, CHOHYANG	R7
85	0RD4702G609	RESISTOR, FIXED CARBON FILM	47K OHM 1/4 W 5.00% TA52	SMART, CHOHYANG	-
86	0R_910E472	RESISTOR, FIXED METAL FILM	9.1K OHM 1/8 W 1%, 2012 R/TP	ROHM	-
87	0R_240IE472	RESISTOR, FIXED METAL FILM	2.4K OHM 1/8 W 1%, 2012 R/TP	ROHM	RL1
88	0R_270IE672	RESISTOR, METAL GLAZED (CHIP)	270 OHM 1/8 W 2012 5.00% D	ROHM	RL2
89	0TRKE00008A	TRANSISTOR, BIPOLAR	KEC K1B151 BK 10126 60V 5A	KEC	RS4
90	0TR319809AA	TRANSISTOR	KTC3198-TP-Y (KTC1B151)KEC	KEC	OS3, OS6
91	0TRKE80016A	TRANSISTOR, BIPOLAR	KEC KR61005 R/TP SOT23 50V 100MA	KEC	O1
92	0TR106009AC	TRANSISTOR, BIPOLAR	KRA 106M KEC	KEC	O7
93			KTC3875 KEC	KEC	-
94	6210_BB001A	SIL, THER (CIRC), EMC	BF5350AD SAMMHA 52	SAM WHA	FBI
95	6600R1001Z	SIL, THER (CIRC), EMC	J1P123046 JEIL 12V DC 50MA	JEIL	SM1
96	6854B50001A	JUMP WIRE	0.6MM 52MM TP TAPING SNT10MM	DAE A LEAD	J01-J04, J06-J13, J14, JPO1
97	6854B50001A	JUMP WIRE	0.6MM 52MM TP TAPING SNT10,5MM	DAE A LEAD	J05
98	6854B50001A	JUMP WIRE	0.6MM 52MM TP TAPING SNT10MM	DAE A LEAD	OP1
99	6854B50001A	JUMP WIRE	0.6MM 52MM TP TAPING SNT10MM	DAE A LEAD	OP2, OP3, R13-R16
100	6200_BB004A	FILTER (CIRC), EMC	CV940050 TNC BK	TNC	L1
101	6200_BB007X	FILTER (CIRC), EMC	UV11-05320 TNC BK 0.5A 32MH	TNC	L2
102	0LR001M4F0	INDUCTOR, RADIAL LEAD	1000UH 20% R 5X12.5 BULK	TNC	L3
103	0FR601E1521	FUSE, FAST BLOW	6000MA 250V 6.3X31.8 CY/GL KS	SAM JU	FUSE1
104	6901_BB001A	FUSE ASSEMBLY	KORE-PTJ N'S	SAM JU	FUSE HOLDER
105	0FZZ_BB3001A	FUSE, DRAWING	2A 250V SLOW-BLOW LITTLE FUSE, TRIAD	SAM JU	FUSE1
106	6908_BB3002F	BUZZER	06E2228P DAE YOUNG PE20 2W 755(OHMA)	DAE YOUNG	BUZZER
107	4920_BB3007A	HEAT SINK	23.3*17*25 DRIVE IC STR	-	(IC2)
108	158F0302418	SCREW TAP TITE (S), BINDING HE	+0.3, 0 LB. 0 MSWR3/FZY	SHAN	(IC2)
109	9WIF0120000	SOLDER (ROSN WIRE) R50	DI_20	-	-
110	49H1004	SOLDER, SOLDERING	H63A	HISUNG	-
111	59333105	FLUX	SG101, B25, 0.830 KOREA F, H-206	KOKI	-
112	00C03H609	CAPACITOR, FIXED FILM	0.01UF D 100V 10% PE 1P5	SAM WHA	CM4

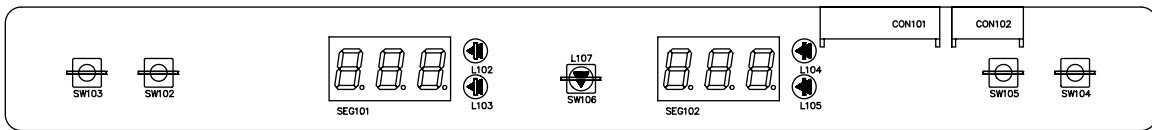
8-5-3 PWB Assembly, Display, And Parts List

Dispenser Model



No	P/NO	DESCRIPTION	SPEC	MAKER	REMARK
1	6870JB8090A	PWB(PCB)	KS-PJT DISPENSER DISPLAY	DDO SAN	-
2	-	-	-	-	-
3	6630JB8005D	WAFER	SMAW250-11	YEON HO	CON101
4	6630JB8004U	WAFER	SMAW250-06	YEON HO	CON102
5	6600JB8005A	SWITCH,TACT	KPT-1105A	KYUNG IN	SW102~105
6	6600RRT002K	SWITCH,TACT	JTP1230A JEIL 12V DC 50MA	JEIL	SW102~105
7	6600JB8004A	TACT S/W	KPT-1109R	KYUNG IN	SW101,SW107
8	-	TACT S/W	KPT-1109G	KYUNG IN	SW106
9	6327JB8001A	DISPLAY LED ASSEMBLY	LN4023-13EWRS GREEN 2.1V 1.7MCD	LEDTECH	SEG1,SEG2
10	0DLLE0059AA	LED	LT8323-41-BCN 2.1V D3 TP GREEN	LEDTECH	L102~105
11	0DD414809AA	DIODE,SWITCHING	1N4148 26MM	PYUNG CHANG	D107~113
12	0DD400400A	DIODE,SWITCHING	1N4004	DELTA	D101~106
13	6854B50001A	JUMP WIRE	0.6MM 52MM TP TAPING SN(10MM)	-	J01~06,J08~13
14	9VWF0120000	SOLDER<ROSIN WIRE> RSO	D1.20	HEE SUNG	-
15	49111004	SOLDER,SOLDERING	H63A	-	-
16	59333105	FLUX	SGJ0.825-0.830 KOREA F.H-206	KOKI	-

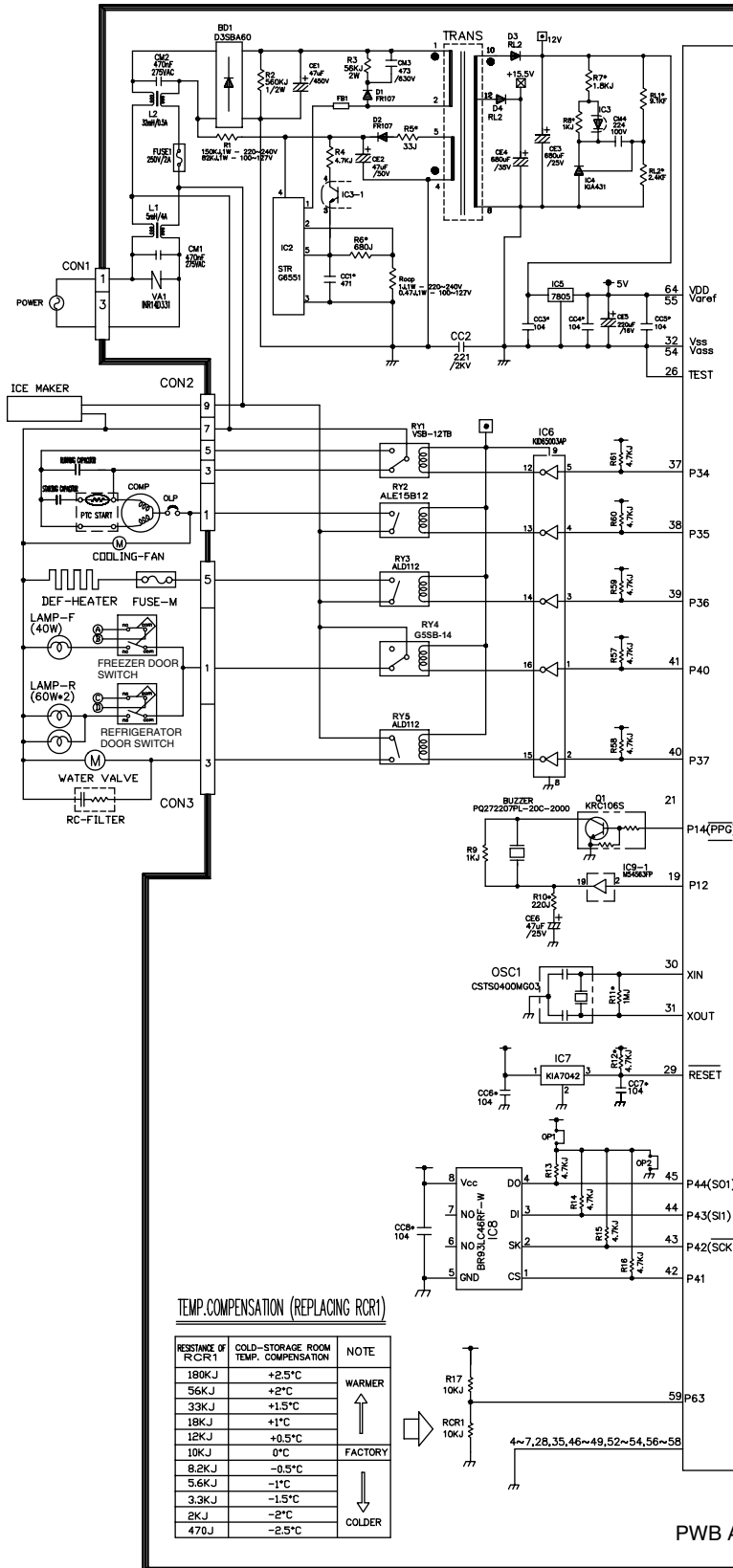
Best Model



No	P/NO	DESCRIPTION	SPEC	MAKER	REMARK
1	6870JB8090A	PWB(PCB)	KS-PJT DISPENSER DISPLAY	DDO SAN	-
2	-	-	-	-	-
3	6630JB8005D	WAFER	SMAW250-11	YEON HO	CON101
4	6630JB8004U	WAFER	SMAW250-06	YEON HO	CON102
5	6600JB8005A	SWITCH,TACT	KPT-1105A	KYUNG IN	SW102~105
6	6600RRT002K	SWITCH,TACT	JTP1230A JEIL 12V DC 50MA	JEIL	SW102~105
7	6600JB8004A	TACT S/W	KPT-1109R	KYUNG IN	SW101,SW107
8	-	TACT S/W	KPT-1109G	KYUNG IN	SW106
9	6327JB8001A	DISPLAY LED ASSEMBLY	LN4023-13EWRS GREEN 2.1V 1.7MCD	LEDTECH	SEG1,SEG2
10	0DLLE0059AA	LED	LT8323-41-BCN 2.1V D3 TP GREEN	LEDTECH	L102~105
11	0DD414809AA	DIODE,SWITCHING	1N4148 26MM	PYUNG CHANG	D107~113
12	0DD400400A	DIODE,SWITCHING	1N4004	DELTA	D101~106
13	6854B50001A	JUMP WIRE	0.6MM 52MM TP TAPING SN(10MM)	-	J01~06,J08~13
14	9VWF0120000	SOLDER<ROSIN WIRE> RSO	D1.20	HEE SUNG	-
15	49111004	SOLDER,SOLDERING	H63A	-	-
16	59333105	FLUX	SGJ0.825-0.830 KOREA F.H-206	KOKI	-

8-6 PWB DIAGRAM

8-6-1 PWB Main Assembly

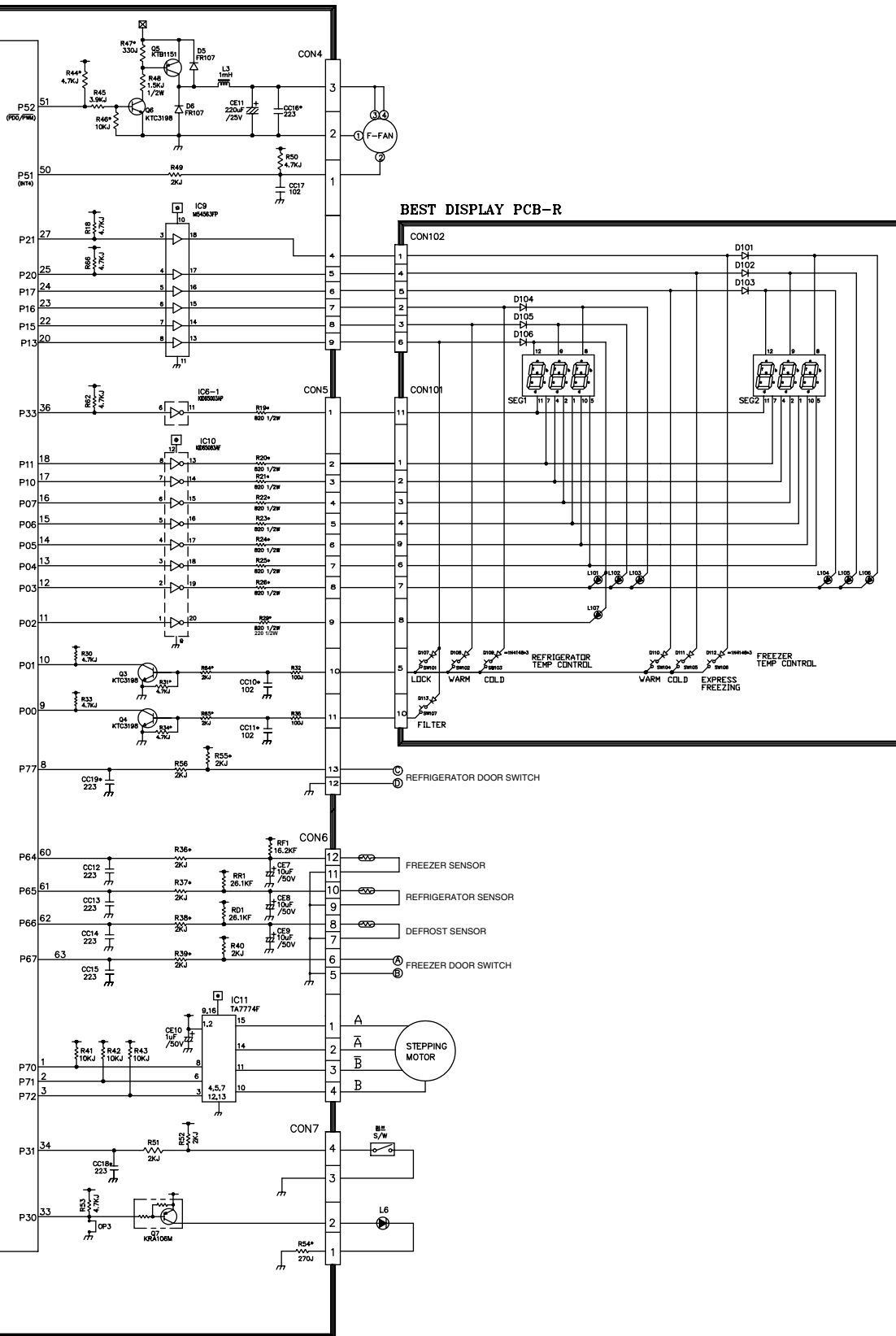


TOSHIBA TMP87C840N(IC1)

TEMP. COMPENSATION (REPLACING RCR1)

RESISTANCE OF RCR1	COLD-STORAGE ROOM TEMP. COMPENSATION	NOTE
180KJ	+2.5°C	WARMER ↑
56KJ	+2°C	
33KJ	+1.5°C	
18KJ	+1°C	
12KJ	+0.5°C	FACTORY
10KJ	0°C	
8.2KJ	-0.5°C	
5.6KJ	-1°C	
3.3KJ	-1.5°C	
2KJ	-2°C	COLDER ↓
470J	-2.5°C	

PWB ASSEMBLY



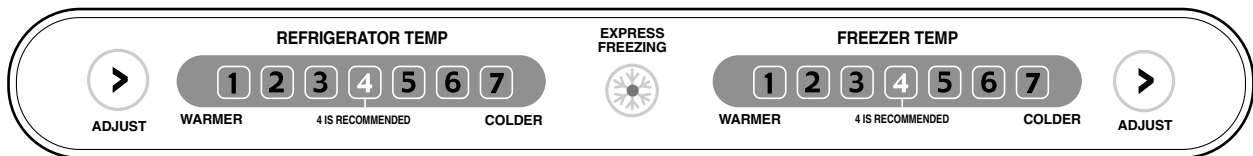
9. DESCRIPTION OF FUNCTION & CIRCUIT OF MICOM

9-1 FUNCTION

9-1-1 Function

1. When the appliance is plugged in, it is set to "4" for Refrigerator and "4" for freezer.
You can adjust the Refrigerator and the Freezer control temperature by pressing the ADJUST button.
2. When the power is initially applied or restored after a power failure, it is automatically set to "4" & "4".

BETTER / GOOD MODEL



9-1-2 Control of freezer fan motor

1. Freezer fan motor has high and standard RPMs.
2. High RPM is used when electricity is first on, for express freezing, and when refrigerator is overloaded.
But standard RPM is used for general purposes.
3. To improve cooling speed and load corresponding speed, the RPM of freezer fan motor shall change from normal speed to high speed.
4. High speed (2500RPM) : Initial power on or load corresponding operation, express freezing Normal speed (2200RPM) : General working conditions.
5. Fan motor stops when refrigerator or freezer door opens.

9-1-3 EXPRESS FREEZING

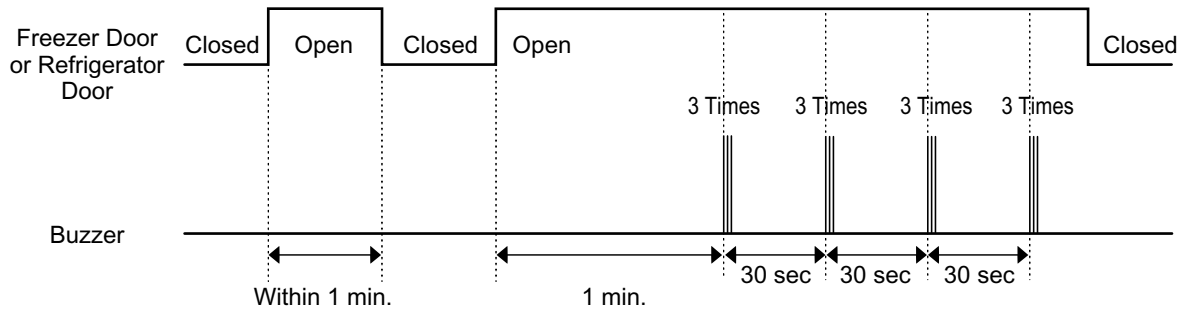
1. The purpose of this function is to intensify the cooling speed of freezer and to increase the amount of ice.
2. Whenever selection switch is pressed, selection/release, the LED will turn ON or OFF.
3. If there is a power cut and the refrigerator is power on again, EXPRESS FREEZING function will be canceled.
4. To activate these function you need to press the Express Freezing key and the LED will turn ON. This function will remain activated for 24 hrs. The first three hours the compressor and Freezer Fan will be ON. The next 21 hours the freezer will be controlled at the lowest temperature. After 24 hours or if the Express Freezing key is pressed again, the freezer will return to its previous temperature.
5. For the first three hours notice the following cases:
 - (1) Compressor and freezer fan(HIGH RPM) continuously operate for three hours.
 - (2) If defrost starts during EXPRESS FREEZING, EXPRESS FREEZING operates for the rest of time after defrost is completed, when EXPRESS FREEZING operation time is less than 90 minutes.
If EXPRESS FREEZING operates for more than 90 minutes, the EXPRESS FREEZING will operate for two hours after defrost is completed.
 - (3) If EXPRESS FREEZING is pressed during defrost, EXPRESS FREEZING LED is on but this function will start seven minutes after defrost is completed and it shall operate for three hours.
 - (4) If EXPRESS FREEZING is selected within seven minutes after compressor has stopped, the compressor (compressor delays seven minutes) shall start after the balance of the delay time.
 - (5) The fan motor in the freezer compartment rotates at high speed during EXPRESS FREEZING.
6. For the rest of 21 hours, the freezer will be controlled at the lowest temperature.

9-1-4. REFRIGERATOR LAMP AUTO OFF

1. To protect the risk of lamp heat, when Refrigerator door opens for 7 min., refrigerator lamp is auto off.

9-1-5 Alarm for Open Door

1. This feature sounds a buzzer when the freezer or refrigerator door is not closed within 1 minute after it is opened.
2. One minute after the door is opened, the buzzer sounds three times each for 1/2 seconds. These tones repeat every 30 seconds.
3. The alarm is cancelled when the freezer or the refrigerator is closed while the buzzer sounds.



9-1-6 Buzzer Sound

When the button on the front Display is pushed, a Ding~ Dong~ sound is produced.
(Refer to the Buzzer Circuit 7-2-4 No. 2)

9-1-7 Defrosting (removing frost)

1. Defrosting starts each time the COMPRESSOR running time reaches 7 hours.
2. For initial power on or for restoring power, defrosting starts when the compressor running time reaches 4 hours.
3. Defrosting stops if the sensor temperature reaches 46.4°F(8°C) or more. If the sensor doesn't reach 46.4°F(8°C) in 2 hours, the defrost mode is malfunctioning. (Refer to the defect diagnosis function, 7-1-9.)
4. Defrosting won't function if its sensor is defective (wires are cut or short circuited)

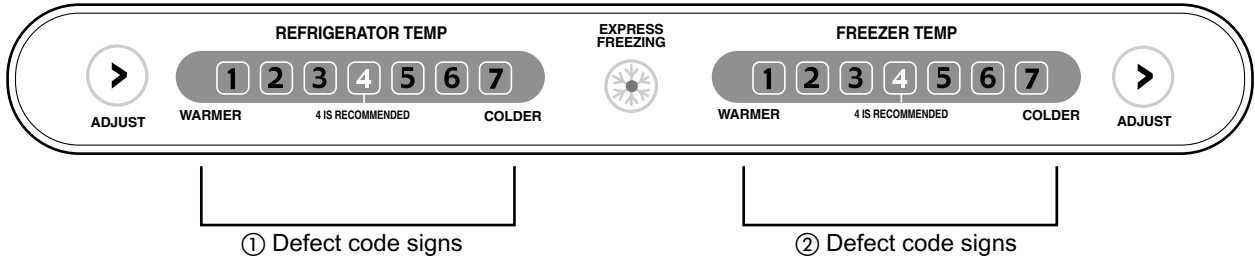
9-1-8 Electrical Parts Are Turned On Sequentially

Electrical parts such as COMP, defrosting heater, freezer FAN, etc. are turned on in the following order to prevent noise and parts damage. Several parts are started at the same time at initial power on and are turned off together when TEST is completed.

OPERATING		ORDERS				
Initial power on	Temperature of Defrosting Sensor is 45°C or more (when unit is newly purchased or when moved)	POWER ON	in 1/2 second →	COMP ON	in 1/2 second →	Freezer FAN ON
	Temperature of defrosting sensor is lower than 45°C (when power cuts, SERVICE)	POWER ON	in 1/2 second →	Defrosting heater ON	in 10 second →	Defrosting heater OFF
		in 1/2 second →	COMP ON	in 1/2 second →	Freezer FAN ON	
	Reset to normal operation from TEST MODE	Total load OFF	in 7 minute →	COMP ON	in 1/2 second →	Freezer FAN ON

9-1-9 Defect Diagnosis Function

1. Automatic diagnosis makes servicing the refrigerator easy.
2. When a defect occurs, the buttons will not operate; but the tones. such as ding. will sound.
3. When the defect CODE removes the sign, it returns to normal operation (RESET).
4. The defect CODE shows on the Refrigerator and Freezer Display.



ERROR CODE on display panel

● LED OFF

○ LED ON

NO	ITEM	ERROR CODE		CONTENTS	REMARKS
		①	②		
1	Failure of freezer sensor	All off	● ○ ○ ○ ○ ○ ○ ○	Cut or short circuit wire	Inspect Connecting wires on each sensor
2	Failure of Refrigerator sensor	All off	○ ● ○ ○ ○ ○ ○ ○	Cut or short circuit wire	
3	Failure of defrost sensor	All off	○ ○ ● ○ ○ ○ ○ ○	Cut or short circuit wire	
4	Poor of defrost	All off	● ● ● ● ○ ○ ○	2hours later After starting defrost, If sensor doesn't be over 46°F (8°C)	Snapping of defrost heater or Temperature fuse, pull-out of Connector (indicated minimum 2 Hours after failure occurs)

9-1-10 TEST Mode

1. The Test mode allows checking the PCB and the function of the product as well as finding out the defective part in case of an error.
2. The test mode is operated by pressing two buttons at Display panel.
3. While in the test mode, the function control button is not recognized, but the recognition tone (beep~) sounds.
4. After exiting the test mode, be sure to reset by unplugging and then plugging in the appliance.
5. If an error, such as a sensor failure, is detected while in the test mode, the test mode is cleared and the error code is displayed.
6. While an error code is displayed, the test mode will not be activated.

MODE	MANIPULATION	CONTENTS	REMARKS
TEST1	Push Express Freezing key and COLDER KEY of Freezer Temp. at the same time over 3 seconds.	<ol style="list-style-type: none"> 1. Continuous operation of the COMPRESSOR 2. Continuous operation of the freezer fan 3. STEPPING DAMPER OPEN 4. Defrosting Heater OFF 5. Every DISPLAY LED ON 	
TEST2	Push Express Freezing key and COLDER KEY of Freezer Temp. at the same time over 3 seconds in TEST MODE 1	<ol style="list-style-type: none"> 1. COMP OFF 2. Freezer FAN OFF 3. STEPPING DAMPER CLOSE 4. Defrosting heater ON 5. DISPLAY LED 1, 3, 5, 7 ON 	Reset if the temperature of the Defrosting sensor is 46°F (8°C) or more.
Reset	Push Express Freezing key and COLDER KEY of Freezer Temp. at the same time over 3 seconds. in TEST MODE 2	Reset to the previously setting before TEST MODE	The compressor will Start after a 7-minute delay.

NOTE : LED CHECK MODE: When the refrigerator temperature control and the freezer temperature control button at the same time are hold for 1 second or longer, every LED on the display turns on at the same time. when the button are released, the previous mode is restored.

* Freezer Fan RPM Variable Check:

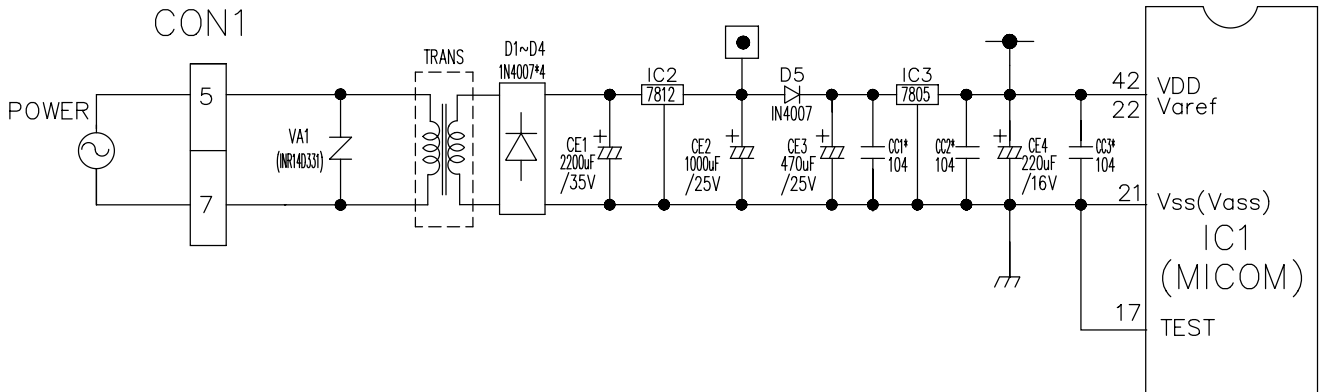
In case the freezer fan is in operation when the WARMER KEY in Refrigerator and Freezer Temp. Control are pressed for more than one second at the same time freezer fan RPM changes. (for example if high speed, to normal speed or if normal speed, to high speed for 30 seconds)
After 30 seconds, it turns to its original RPM.

* Demonstration MODE:

1. When the KEY of refrigerator Temp. control or of freezer Temp. control is pushed and held over 5 seconds, warmest temperature's It converts to Demonstration Mode.
2. In this status, each LED is rotated with 1 second interval.
3. In this status, all Loads are off (Compressor / Fan / Damper / Heater)
(Even is Demonstration Mode, the refrigerator Lamp automatic off function works normally and can be demonstrated)
4. It reset if you do again as clause.

9-2 PCB FUNCTION

9-2-1 Power Circuit



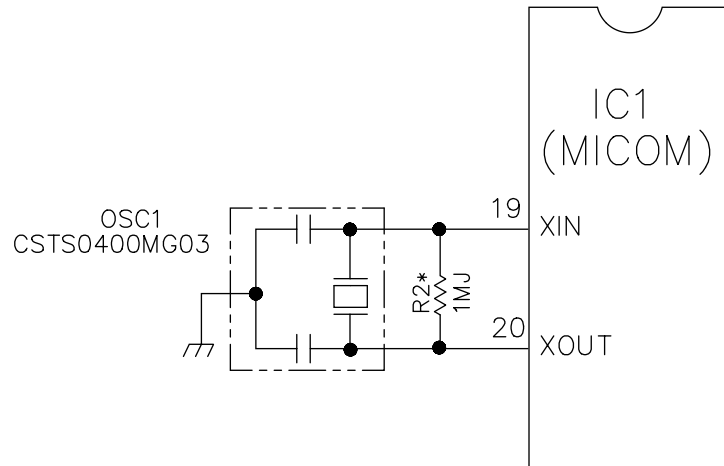
The secondary part of the TRANSFORMER is composed of the power supply for the display, the BLDC FAN Motor drive (15.5 V), the relay drive (12 Vdc) and the MICOM and IC (5 Vdc).

The voltage for each part is as follows:

PART	VA 1	CE 2	CE 1	CE 4
VOLTAGE	115 Vac	12 Vdc	15.5 Vdc	5 V

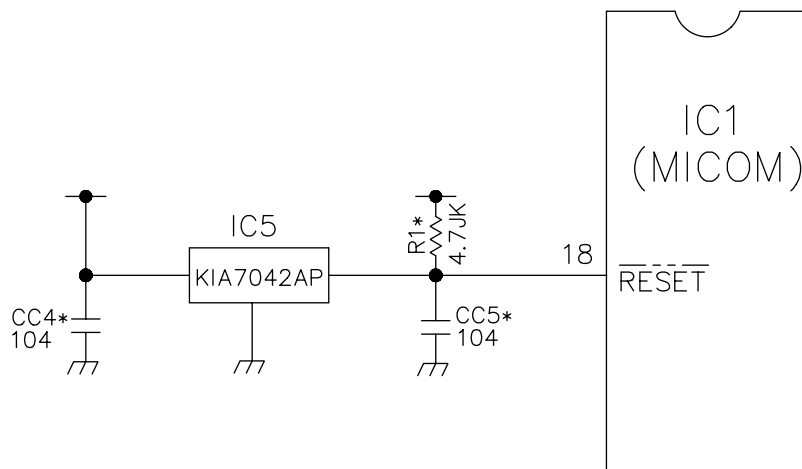
VA1 is a part for preventing over voltage and noise. When 385V or higher power is applied, the inside elements are short-circuited and broken, resulting in blowout of the fuse in order to protect the elements of the secondary part of the TRANSFORMER.

9-2-2 Oscillation Circuit



This circuit generates the base clock for calculating time and the synchro clock for transmitting data from and to the inside logic elements of the IC1 (MICOM). Be sure to use specific replacement parts, since calculating time by the IC1 may be changed. If changed, the OSC1 SPEC will not work.

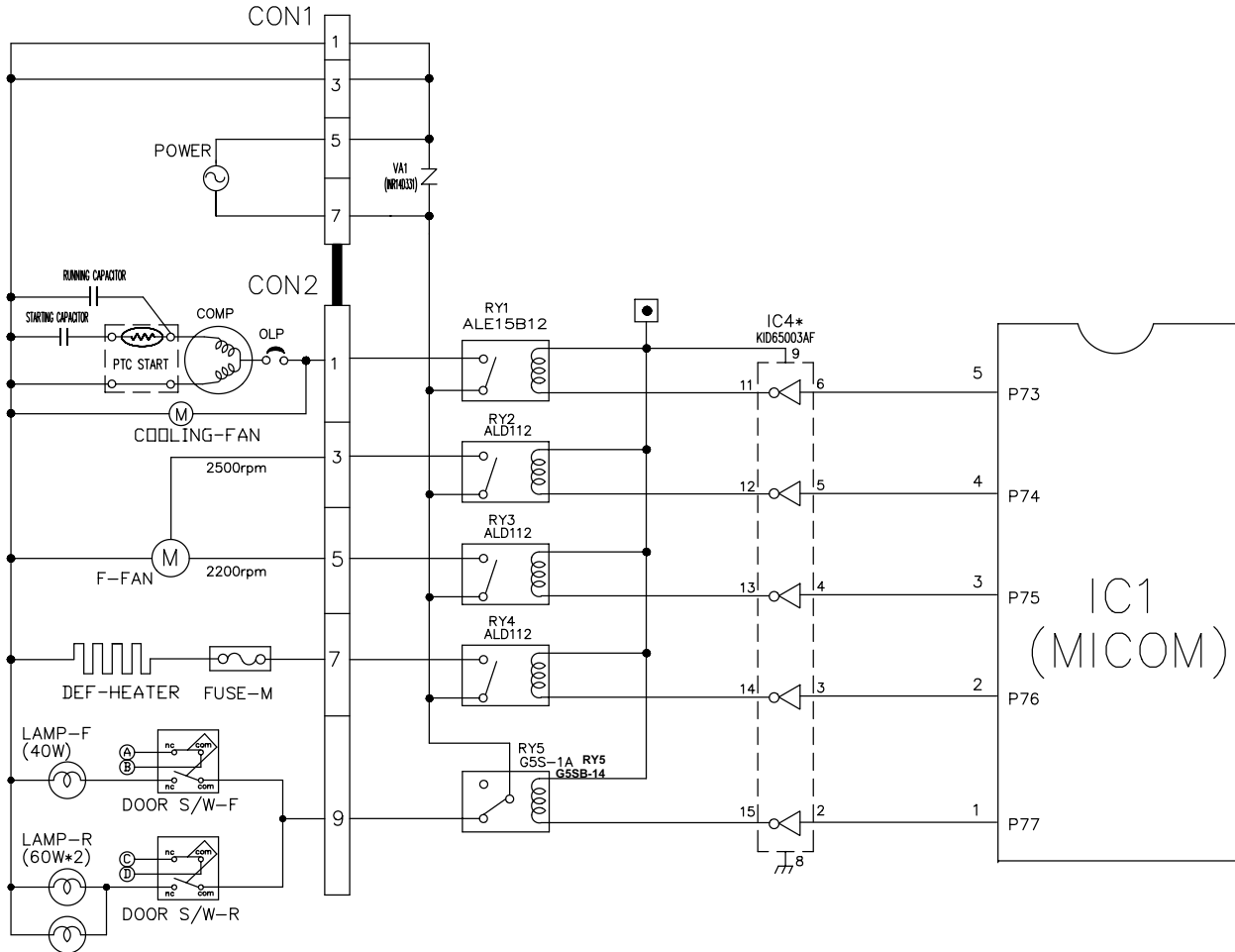
9-2-3 Reset Circuit



The RESET circuit allows all the functions to start at the initial conditions by initializing various parts, including the RAM inside the MICOM (IC1) when the power is initially supplied or the power supply to the MICOM is restored after a momentary power failure. For the initial 10ms of power supply, LOW voltage is applied to the MICOM RESET terminal. During a normal operation, 5V is applied to the RESET terminal. (If a malfunction occurs in the RESET IC, the MICOM will not operate.)

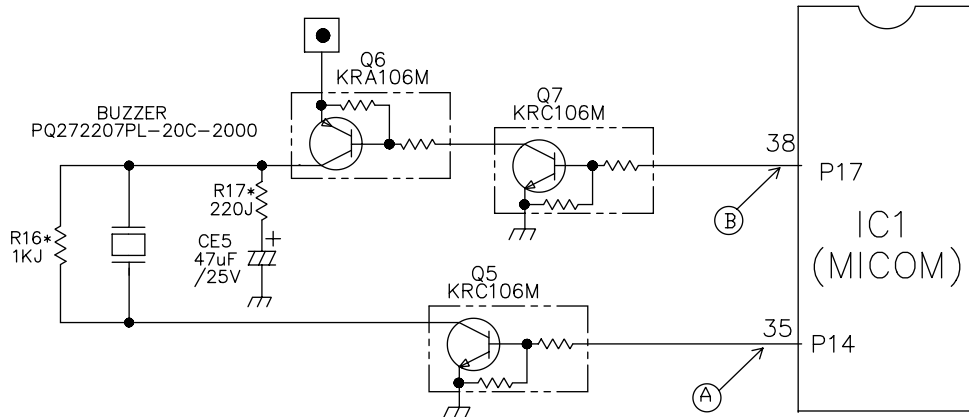
9-2-4 Load / Buzzer Drive & Open Door Detection Circuit

1. Load Drive Condition Check



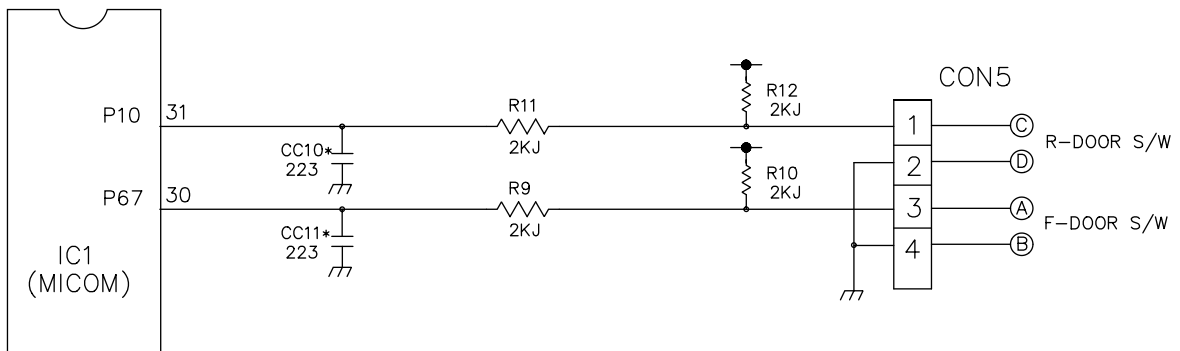
LOAD TYPE		COMP	DEFROSTING HEATER	LAMP	FREEZER FAN MOTOR (HIG RPM)	FREEZER FAN MOTOR (LOW RPM)
Measurement Location (IC4)		NO.11	NO.14	NO.15	NO.12	NO.13
Condition	ON	1V or below				
	OFF	12V				

2. Buzzer Drive Condition Check



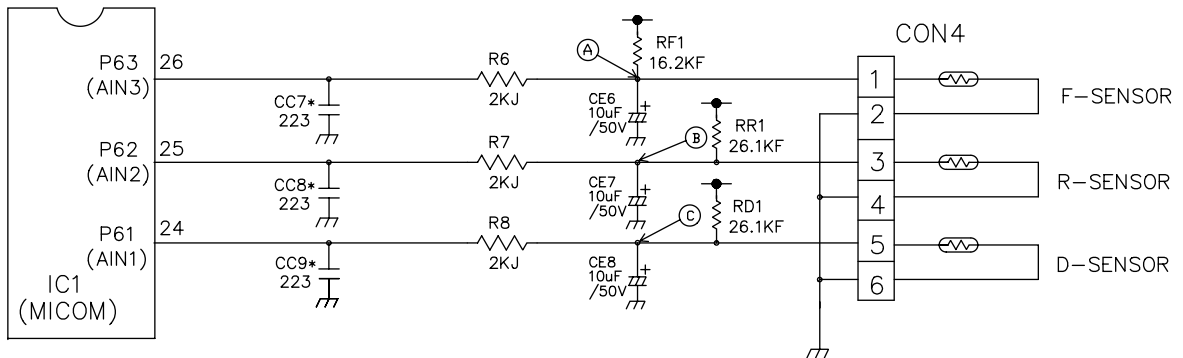
Condition Measurement Location	Tone (Ding~Dong~) when the button on the display is pushed.	Alarm for open door (beep-beep-beep)	OFF
IC1 (A)			0 V
IC1 (B)			0 V

3. Open Door Detection Circuit Check



Measurement Freezer/ Refrigerator Door	(PIN NO.31 & PIN NO.30)
Closed	5 V
Open	0 V

9-2-5 Temperature Sensor Circuit

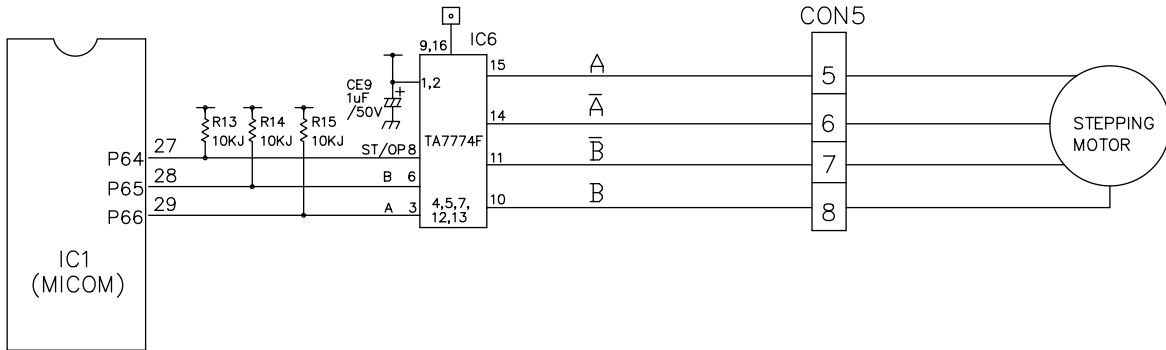


The upper CIRCUIT reads REFRIGERATOR temperature, FREEZER Temperature, and DEFROST-SENSOR temperature for defrosting and the indoor temperature for compensating for the surrounding temperature into MICOM. OPENING or SHORT state of each TEMPERATURE SENSOR are as follows:

SENSOR	CHECK POINT	NORMAL (-30°C ~ 50°C)	SHORT-CIRCUITED	OPEN
Freezer Sensor	POINT (A) Voltage	0.5 V ~ 4.5 V	0 V	5 V
Refrigerator Sensor	POINT (B) Voltage			
Defrosting Sensor	POINT (C) Voltage			

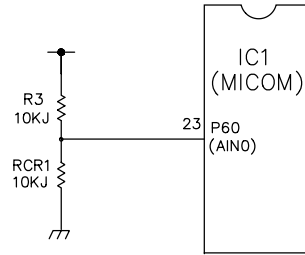
9-2-6 Refrigeration Compartment Stepping Motor Damper Circuit

* The circuit shown below is the damper circuit to regulate the refrigerator temperature.



9-2-7 Temperature Compensation & Overcooling/Undercooling Compensation Circuit

1. Refrigerator Temperature Compensation



Refrigerator		Remark
Resistance (RCR)	Temperature Compensation	
180 KΩ	+2.5°C	Compensation by raising the temperature ↑
56 KΩ	+2.0°C	
33 KΩ	+1.5°C	
18 KΩ	+1.0°C	
12 KΩ	+0.5°C	
10 KΩ	0 °C	Standard Temperature
8.2 KΩ	-0.5°C	Compensation by lowering the temperature ↓
5.6 KΩ	-1.0°C	
3.3 KΩ	-1.5°C	
2 KΩ	-2.0°C	
470 Ω	-2.5°C	

▶ Table of Temperature Compensation by adjusting the resistance (difference from the current temperature) e.g., If the refrigerator compensation resistance (RCR) is changed from 10K (the current resistance) to 18K (the adjustment resistance), the temperature of the refrigerator rises 33.8°F(+1°C).

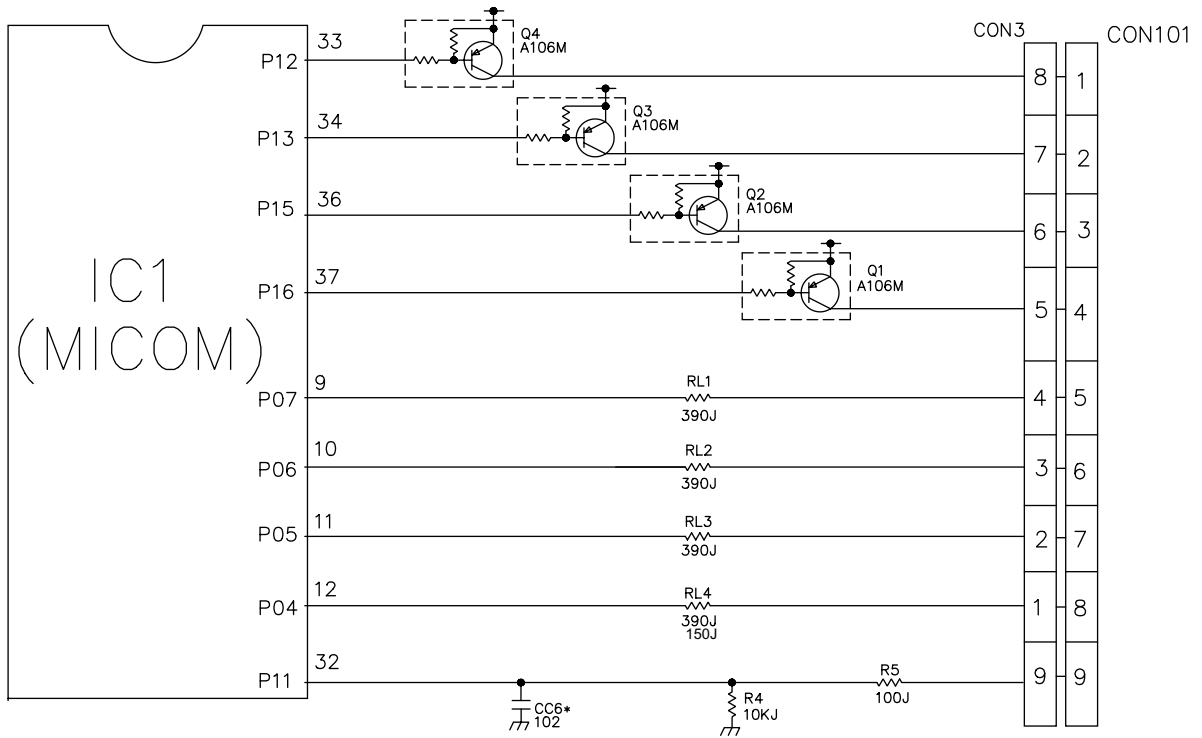
2. The temperature compensation for refrigerator compartment is in the following table:

		Revised resistance	470Ω	2kΩ	3.3kΩ	5.6kΩ	8.2kΩ	10kΩ	12kΩ	18kΩ	33kΩ	56kΩ	180kΩ
		Present resistance											
Refrigerator (RCR)	470Ω	No change	0.5°C Up	1°C Up	1.5°C Up	2°C Up	2.5°C Up	3°C Up	3.5°C Up	4°C Up	4.5°C Up	5°C Up	
	2kΩ	0.5°C Down	No Change	0.5°C Up	1°C Up	1.5°C Up	2°C Up	2.5°C Up	3°C Up	3.5°C Up	4°C Up	4.5°C Up	
	3.3kΩ	1°C Down	0.5°C Down	No Change	0.5°C Up	1°C Up	1.5°C Up	2°C Up	2.5°C Up	3°C Up	3.5°C Up	4°C Up	
	5.6kΩ	1.5°C Down	1°C Down	0.5°C Down	No Change	0.5°C Up	1°C Up	1.5°C Up	2°C Up	2.5°C Up	3°C Up	3.5°C Up	
	8.2kΩ	2°C Down	1.5°C Down	1°C Down	0.5°C Down	No Change	0.5°C Up	1°C Up	1.5°C Up	2°C Up	2.5°C Up	3°C Up	
	10kΩ	2.5°C Down	2°C Down	1.5°C Down	1°C Down	0.5°C Down	No Change	0.5°C Up	1°C Up	1.5°C Up	2°C Up	2.5°C Up	
	12kΩ	3°C Down	2.5°C Down	2°C Down	1.5°C Down	1°C Down	0.5°C Down	No Change	0.5°C Up	1°C Up	1.5°C Up	2°C Up	
	18kΩ	3.5°C Down	3°C Down	2.5°C Down	2°C Down	1.5°C Down	1°C Down	0.5°C Down	No Change	0.5°C Up	1°C Up	1.5°C Up	
	33kΩ	4°C Down	3.5°C Down	3°C Down	2.5°C Down	2°C Down	1.5°C Down	1°C Down	0.5°C Down	No Change	0.5°C Up	1°C Up	
	56kΩ	4.5°C Down	4°C Down	3.5°C Down	3°C Down	2.5°C Down	2°C Down	1.5°C Down	1°C Down	0.5°C Down	No Change	0.5°C Up	
180kΩ	5°C Down	4.5°C Down	4°C Down	3.5°C Down	3°C Down	2.5°C Down	2°C Down	1.5°C Down	1°C Down	0.5°C Down	No Change		

NOTE: This circuit is designed to input the necessary temperature compensation values into the MICOM. This adjusts the refrigerator temperature, which is different in each model.

9-2-8 Key Button Input & Display Light-On Circuit

▶ The circuit shown above determines whether a function control key on the operation display is pushed. It also turns on the corresponding function indication LED DISPLAY. The drive type is the scan type.



9-3 RESISTANCE SPECIFICATION OF SENSOR

TEMPERATURE DETECTED BY SENSOR	RESISTANCE OF FREEZER SENSOR	RESISTANCE OF REFRIGERATOR & DEFROST SENSOR & ROOM SENSOR
- 20 °C	22.3 KΩ	77 KΩ
- 15 °C	16.9 KΩ	60 KΩ
- 10 °C	13.0 KΩ	47.3 KΩ
- 5 °C	10.1 KΩ	38.4 KΩ
0 °C	7.8 KΩ	30 KΩ
+ 5 °C	6.2 KΩ	24.1 KΩ
+ 10 °C	4.9 KΩ	19.5 KΩ
+ 15 °C	3.9 KΩ	15.9 KΩ
+ 20 °C	3.1 KΩ	13 KΩ
+ 25 °C	2.5 KΩ	11 KΩ
+ 30 °C	2.0 KΩ	8.9 KΩ
+ 40 °C	1.4 KΩ	6.2 KΩ
+ 50 °C	0.8 KΩ	4.3 KΩ

- The resistance of the SENSOR has a $\pm 5\%$ common difference.
- Measure the resistance of the SENSOR after leaving it for over 3 minutes in the measuring temperature. This delay is necessary due to sensor response speed.

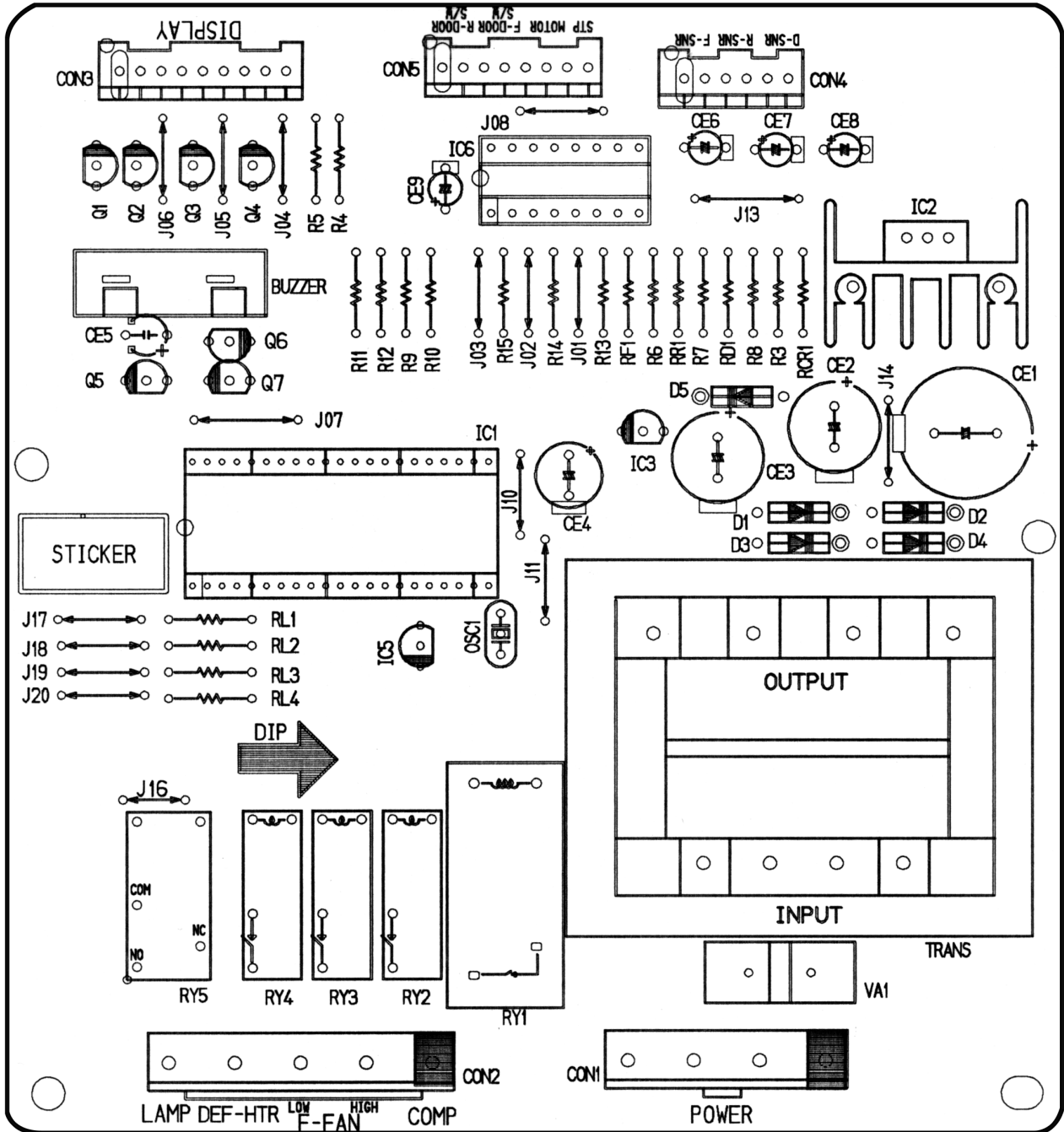
9-4 TROUBLESHOOTING

PROBLEM	INDICATED BY	CHECK	CHECKING METHOD	CAUSE	SOLUTION
POWER SOURCE is poor.	1. The whole DISPLAY LED/SEVEN SEGMENT DISPLAY is off. 2. DISPLAY LED/SEVEN SEGMENT DISPLAY operates abnormally	1. FREEZER/REFRIGERATOR.	Check if FREEZER/REFRIGERATOR DOOR IS OPEN and check display.	POWER SOURCE is poor.	Check outlet Voltage.
		2. If LAMP is dim. 3. The connection of the MAIN PWB CONNECTOR.	Check visually. Check connection of CONNECTOR.	Applied voltage error. CONNECTOR connection is poor. TRANS FUSE is open.	Use boosting TRANS. Reconnect CONNECTOR. Replace TRANS.
COOLING is poor.	NO COOLING.	1. If the COMPRESSOR operate.	USE TEST MODE 1 (forced COOLING). If less than 7 minutes pass after compressor shuts off, don't press the KEY and wait.	COMPRESSOR locked or blocked. OLP, PTC is poor. COMPRESSOR RELAY is poor.	Replace COMPRESSOR. Replace OLP, PTC. Replace MAIN PWB.
		2. If refrigerant is leaking.	Measure the amount of frost sticking on EVAPORATOR and the surface temperature of the condenser pipe.	Refrigerant leakage.	Check the connection of the black wire of the MAIN PWB CONNECTOR (CON2). Replace the leaking part and replace any lost refrigerant.
FREEZER TEMPERATURE is incorrect	1. If FAN MOTOR operates. USE TEST MODE 1 (forced COOLING).	1. If FAN MOTOR operates.	FAN MOTOR is poor.	FAN MOTOR is poor.	Replace the FAN MOTOR.
		2. If DEFROSTING is normal.	Check the amount of frost sticking on the EVAPORATOR.	DEFROSTING is poor.	Certify the MOTOR and the connection of the black wire of the MAIN PWB CONNECTOR (CON2). See DEFROSTING is poor.
		3. If SENSOR is normal.	Check the resistance of the Refrigerator SENSOR.	SENSOR RESISTANCE is poor.	Replace SENSOR.
		4. Door Line contact.	Check the seal when the door is closed.	Door liner damaged.	Replace door liner.

PROBLEM	INDICATED BY	CHECK	CHECKING METHOD	CAUSE	SOLUTION
COOLING is poor.	If REFRIGERATOR TEMPERATURE is too low.	1. If FREEZER TEMPERATURE is normal.	Check is FREEZER TEMPERATURE is too low.		Make sure the DOOR is attached. Replace FAN MOTOR.
		2. If amount of cool air from FAN MOTOR is sufficient.	Make sure that the amount and speed of cool air are sufficient by touching the check supplied on the REFRIGERATOR.	FAN MOTOR is poor. Passage of cool air is blocked. EVA frozen.	Remove impurities. See DEFROSTING is poor.
		3. Door Line contact.	Check door seal when door is closed.	Door liner damaged.	Replace Door liner.
DEFROSTING is poor.	NO DEFROSTING.	1. If HEATER emits heat.	USE TEST MODE2 (forced DEFROSTING).	HEATER disconnection.	Replace HEATER.
				TEMPERATURE FUSE disconnection.	Replace TEMPERATURE FUSE.
				Connection is poor.	Check EVAPORATOR connection and wire of MAIN PWB CONNECTOR.
				DEFROST-SENSOR is poor.	Replace DEFROST-SENSOR.
				HEATER RELAY is poor.	Replace RY3 of MAIN PWB.
				DRAIN PIPE is blocked.	Remove ice and impurities. Check HEATER PLATE resistance.
		3. If ice remains after DEFROSTING.	Make sure that DEFROST SENSOR is connected. Make sure that FREEZER/ REFRIGERATOR DOOR is closed.	Connection is poor. DOOR does not close properly.	Reassemble the DEFROST-SENSOR. Reassemble DOOR. Replace GASKET.

9-5 MAIN PWB ASSEMBLY AND PARTS LIST

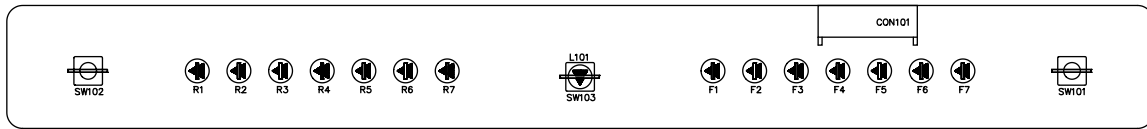
9-5-1 Main PWB Assembly



9-5-2 Replacement Parts List

No	P/NO	DESCRIPTION	SPEC	MAKER	REMARK
1	6670_BB889A = C	PWB(PCB)	KS-PJT GOOD MDL	DOO SAN	T-1,6
2	-	-	-	-	-
3	6170_JB2002H	TRANSFORMER,LOW VOLTAGE	240V 15V YES GR-MICOM ONE TAB	TAE SUNG	TRANS
4	6170_JB2002M	TRANSFORMER,LOW VOLTAGE	260V 15V YES GR-MICOM ONE TAB	TAE SUNG	TRANS
5	6170_JB2002R	TRANSFORMER,LOW VOLTAGE	140V 15V YES GR-MICOM ONE TAB	TAE SUNG	TRANS
6	6170_JB2002W	TRANSFORMER,LOW VOLTAGE	115V 15V YES GR-MICOM ONE TAB	TAE SUNG	TRANS
7	-	-	-	-	-
8	6630A09106C	CONNECTOR (ICIRC),WAFER	YH396-07AV YEONHO 7PIN 3.96MM STRAIGHT SN	YEON HO	CON1
9	6630A09106D	CONNECTOR (ICIRC),WAFER	YH396-09AV	YEON HO	CON2
10	6630A09106B	CONNECTOR (ICIRC),WAFER	YH396-05AV	YEON HO	-
11	6630_BB8007G	CONNECTOR (ICIRC),WAFER	917786-1 AMP 8PIN 2.5MM STRAIGHT SN	AMP	CON5
12	6630_BB8007H	CONNECTOR (ICIRC),WAFER	917787-1 AMP 9PIN 2.5MM STRAIGHT SN	AMP	CON3
13	6630_BB8007E	CONNECTOR (ICIRC),WAFER	917784-1 AMP 6PIN 2.5MM STRAIGHT SN	AMP	CON4
14	-	-	-	-	-
15	01ZZ_JB2023L	IC,DRAWING	TM97C84GN 42 SDIP BK KS-BETTER/GOOD(MASK)	TOSHIBA	IC1(01ZZ_JB2022M)
16	01ZZ_JB2022	IC,DRAWING	-	TOSHIBA	IC1(01ZZ_JB2022)
17	01ZZ_JB2022	IC,DRAWING	-	TOSHIBA	IC1(01ZZ_JB2022)
18	-	-	-	-	-
19	OIKE781200B	IC,KEC	K1A7812P1 12V IA,KEC - - - -	KEC	IC2
20	OIKE781200M	IC,KEC	K1A7812P1 30IP BK 12V IA REFORM	KEC	-
21	OIKE780500A	IC,KEC	K1A7805P,3PIN,DIP, KEC	KEC	IC3
22	O1STLM001A	IC,STANDARD LOGIC	M54563P MITSUBISHI 20 R/TP CONVERT	MITSUBISHI	-
23	O1T0777400A	IC,TOSHIBA	TA7774AP 16 SDIP BK STEPPING MOTOR	TOSHIBA	IC6
24	OIKE650030C	IC,KEC	K1D65003AF 16SOP BK 7CH DRIVER	KEC	IC4
25	OIKE704200A	IC,KEC	K1A7042P 3P BK RESET	KEC	IC5
26	O1FH934600D	IC,ROHM	BR93LC46FF-W 8PIN SOP BK EEPROM -	ROHM	-
27	-	-	-	-	-
28	6920000001A	RELAY	ALE15B12 MATSUSHITA 250VAC 16A 12VDC IA NO VENTING	NAIS	RY1
29	6920W0010A	RELAY	US11-125 YUYU 250VAC 3A 12VDC IA	YUYU	-
30	6920_JB2003B	RELAY	ALD112 MATSUSHITA 250VAC 3A 12VDC IA	OMRON	RY2-RY4
31	6920_JB2009A = B	RELAY	696B-14 250VAC 5A 12VDC IC	OMRON	RY5
32	-	-	-	-	-
33	-	-	-	-	-
34	6212_JB8001B	RESONATOR,CERAMIC	CST90400 MURATA 4MHZ +/- 0.5% 15PF TP NONE	MURATA	OSC1(J570-00012B)
35	6102W5V006A	VARIABLE	INR14D331 ILJIN UL/CSA/VDE BK	ILJIN	VA1
36	6102_JB8003A	VARIABLE	INR14D271 ILJIN UL/VDE TP 270V	ILJIN	VA1
37	6102_JB8001B	VARIABLE	INR14D621 ILJIN UL/VDE BK 620V	ILJIN	VA1
38	0DD400709AA	DIODE,RECTIFIERS	IN4007 TP MOTOROLA - - IA - - - -	DELTA	D1-D5
39	-	-	-	-	-
40	-	-	-	-	-
41	0CE2285J610	CAPACITOR,AL.,ELECTROLYTIC	2200 UF 5M5,S6 35V M FL BULK	SAM HWA	CE1
42	0CE1086J610	CAPACITOR,AL.,ELECTROLYTIC	1000UF 5M5,S6 35V 20% FL BULK	SAM HWA	-
43	0CE1086H618	CAPACITOR,AL.,ELECTROLYTIC	1000 UF 5M5,S6 25V M FL TP 5	SAM HWA	CE2
44	0CE4776H618	CAPACITOR,AL.,ELECTROLYTIC	470UF 5M5,S6 25V 20% FL TP 5	SAM HWA	CE3
45	0CE2276F638	CAPACITOR,AL.,ELECTROLYTIC	220UF 5M5,S6 16V 20% FM5 TP 5	SAM HWA	CE4
46	0CE1076H638	CAPACITOR,AL.,ELECTROLYTIC	100UF 5M5,S6 25V 20% FM5 TP 5	SAM HWA	-
47	0CE1066K638	CAPACITOR,AL.,ELECTROLYTIC	100UF 5M5,S6 50V 20% FM5 TP 5	SAM HWA	CE6-CE8
48	0CE1056K638	CAPACITOR,AL.,ELECTROLYTIC	10UF 5M5,S6 50V 20% FM5 TP 5	SAM HWA	CE9
49	0CE4761H638	CAPACITOR,AL.,ELECTROLYTIC	47UF 5M5,S6 25V 20% FM5 TP 5	SAM HWA	CE5
50	0C02231N409	CAPACITOR,POLYESTER	0,022 UF D 100V J PE TP	SAM HWA	-
51	0CK1020K96A	CAPACITOR,FIXED CERAMIC(HIGH DIELECTRIC)	10NF 2012 50V 80%, -20% R/TP X7R	-	CC6
52	0CK2230K96A	CAPACITOR,FIXED CERAMIC(HIGH DIELECTRIC)	22NF 2012 50V 80%, -20% R/TP X7R	MURATA	CC7-CC11
53	-	-	-	-	-
54	0CK1040K94A	CAPACITOR,FIXED CERAMIC(HIGH DIELECTRIC)	100NF 2012 50V R/TP (GRM40X7R104K50PE1)	MURATA	CC1-CC5
55	-	-	-	-	-
56	0CK1040K949	CAPACITOR,FIXED CERAMIC(HIGH DIELECTRIC)	0,1UF D 50V 80%, -20% F1Y5V1 TA52	-	-
57	-	-	-	MURATA	-
58	-	-	-	-	-
59	0RD1500G609	RESISTOR,FIXED CARBON FILM	150 OHM 1/4W 5.00% TA52	SMART	RL4
60	0RD3900G609	RESISTOR,FIXED CARBON FILM	390 OHM 1/4 W 5.00% TA52	SMART	RL1-RL3
61	0RD1000G609	RESISTOR,FIXED CARBON FILM	100 OHM 1/4 W 5.00% TA52	SMART	R5
62	0RJ1001E672	RESISTOR,METAL GLAZED(CHIP)	1K OHM 1/8 W 5% 2012 R/TP	ROHM	R16
63	0RJ2001E672	RESISTOR,METAL GLAZED(CHIP)	2K OHM 1/8 W 5% 2012 R/TP	ROHM	-
64	0RD2001G609	RESISTOR,FIXED CARBON FILM	2K OHM 1/4 W 5.00% TA52	SMART	R6-R12
65	0RH2200L622	RESISTOR,METAL GLAZED(CHIP)	220 OHM 1/8 W 5% 2012 R/TP	ROHM	R17
66	0RJ2201E672	RESISTOR,METAL GLAZED(CHIP)	2.2K OHM 1/8 W 5% 2012 R/TP	ROHM	R7
67	0RJ4701E672	RESISTOR,METAL GLAZED(CHIP)	4.7K OHM 1/8 W 5% 2012 R/TP	ROHM	R1
68	0RJ4701E672	RESISTOR,METAL GLAZED(CHIP)	4.7K OHM 1/8 W 5% 2012 R/TP	ROHM	-
69	0RD4701G609	RESISTOR,FIXED CARBON FILM	4.7K OHM 1/4 W 5.00% TA52	SMART	-
70	0RJ1002E672	RESISTOR,METAL GLAZED(CHIP)	10K OHM 1/8 W 5% 2012 R/TP	ROHM	-
71	0RJ1002E672	RESISTOR,METAL GLAZED(CHIP)	10K OHM 1/8 W 5% 2012 R/TP	ROHM	-
72	0RD1002G609	RESISTOR,FIXED CARBON FILM	10K OHM 1/4 W 5.00% TA52	SMART	R3,R4,RCR1,R13-R15
73	0RJ2702E672	RESISTOR,METAL GLAZED(CHIP)	27K OHM 1/8 W 5% 2012 R/TP	ROHM	-
74	0RJ1004E672	RESISTOR,METAL GLAZED(CHIP)	1M OHM 1/8 W 5% 2012 R/TP	ROHM	R2
75	0RJ2612E472	RESISTOR,FIXED METAL FILM	26.1K OHM 1/4 W 1.00% TA52	SMART	RR1, RD1
76	0RJ1622E472	RESISTOR,FIXED METAL FILM	16.2K OHM 1/4 W 1.00% TA52	SMART	RF1
77	-	-	-	-	-
78	-	-	-	-	-
79	3J03565D	FUSE,DRAWING	9A 250V - -	SAM JU	-
80	0TRI06009AC	TRANSISTOR	KRA106M1KRA22061 TP KEC	KEC	Q1-Q4
81	0TRI06009AF	TRANSISTOR	KRC 106M KEC	KEC	Q5,Q7
82	0TR319809AA	TRANSISTOR	KTC3198P-TP-Y (KTC1815)KEC	KEC	-
83	6908_B3002F	BUZZER	CBE22208P DAE YOUNG P1E20 2KHZ 750B1CH1NA1	DAE YOUNG	BUZZER
84	6600RRT001Z	SWITCH,TACT	JTP1280A6 JEIL 12V DC 50MA	JEIL	-
85	6854B50001A	JUMP WIRE	0,6MM 52MM TP TAPING SN(6MM)	-	J16
86	6854B50001A	JUMP WIRE	0,6MM 52MM TP TAPING SN(10MM)	-	J1-J6,J8,J10,J14,J17-J20
87	6854B50001A	JUMP WIRE	0,6MM 52MM TP TAPING SN(12,5MM)	-	J13
88	6854B50001A	JUMP WIRE	0,6MM 52MM TP TAPING SN(12,5MM)	-	J07
89	6854B50001A	JUMP WIRE	0,6MM 52MM TP TAPING SN	-	-
90	6854B50001A	JUMP WIRE	0,6MM 52MM TP TAPING SN	-	-
91	4920_B3003A	HEAT SINK	30*25*30 IC-12V R-B50,51,52,53,54,55,56 2PIN 1-SCREW 3	-	HC2
92	15BF030241B	SCREW TAP TITE(S),BINDING HEAD	+ D3.0 LB.0 M5WR3/FZY	-	HC2
93	9WVF0120000	SOLDER(ROSN WIRE) R50	DI.20	HEE SUNG	-
94	49111004	SOLDER,SOLDERING	H63A	-	-
95	59333105	FLUX	SG;0,825-0,830 KOREA F.H-206	KOKI	-

9-5-3 PWB Assembly, Display, And Parts List



Qty	No	P/NO	DESCRIPTION	SPEC	MAKER	REMARK
1	1	6870JB8091A	PWB(PCB)	KS-PJT GOOD/BETTER DISPLAY	DOO SAN	t=1.6
	2					
1	3	6630AQ9159H	WAFER	SMAW250-09	YEON HO	CON101
	4					
2	5	6600RRT002K 6600JB8005A	SWITCH,TACT	JTP1230A JEIL 12V DC 50MA KPT-1105A	JEIL KYUNG IN	SW101,102
1	6	-	TACT S/W	KPT-1109G	KYUNG IN	SW103
14	7	0DLLE0019AA	LED	LT1824-81-BCM TP GREEN 2		R1~R7,F1~F7
3	8	0DD414809AA	DIODE,SWITCHING	1N4148 26MM	PYUNG CHANG DELTA	D101,102,103
12	10	6854B50001A	JUMP WIRE	0.6MM 52MM TP TAPING SN <10MM	-	J101~J112
	11					
-	12	9VWF0120000	SOLDER(ROSN WIRE) RSO	D1.20	HEE SUNG	-
0.001	13	49111004	SOLDER,SOLDERING	H63A	-	-
0.0005	14	59333105	FLUX	SG;0.825-0.830 KOREA F.H-206	KOKI	-

9-6 PWB DIAGRAM

9-6-1 PWB Main Assembly

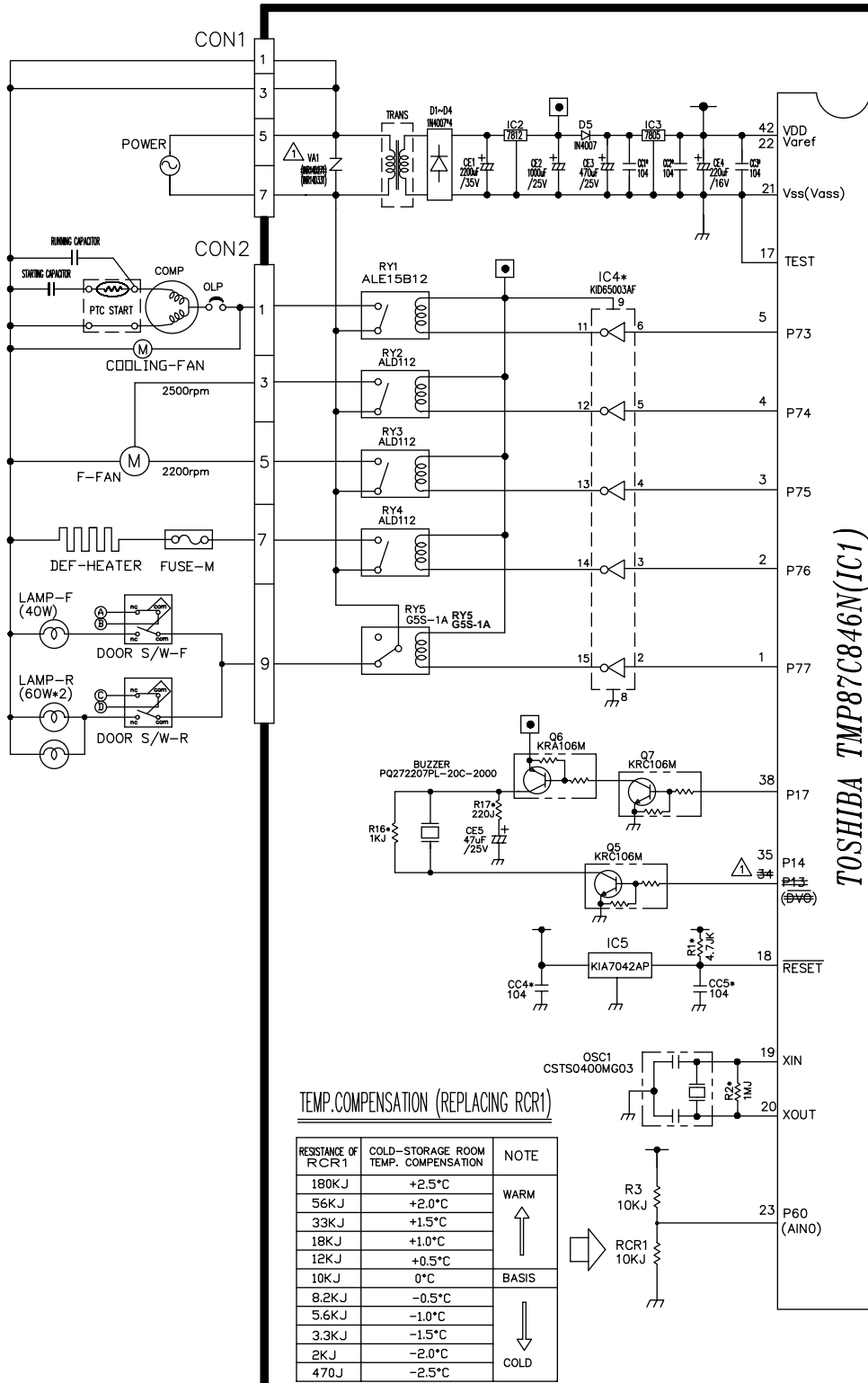
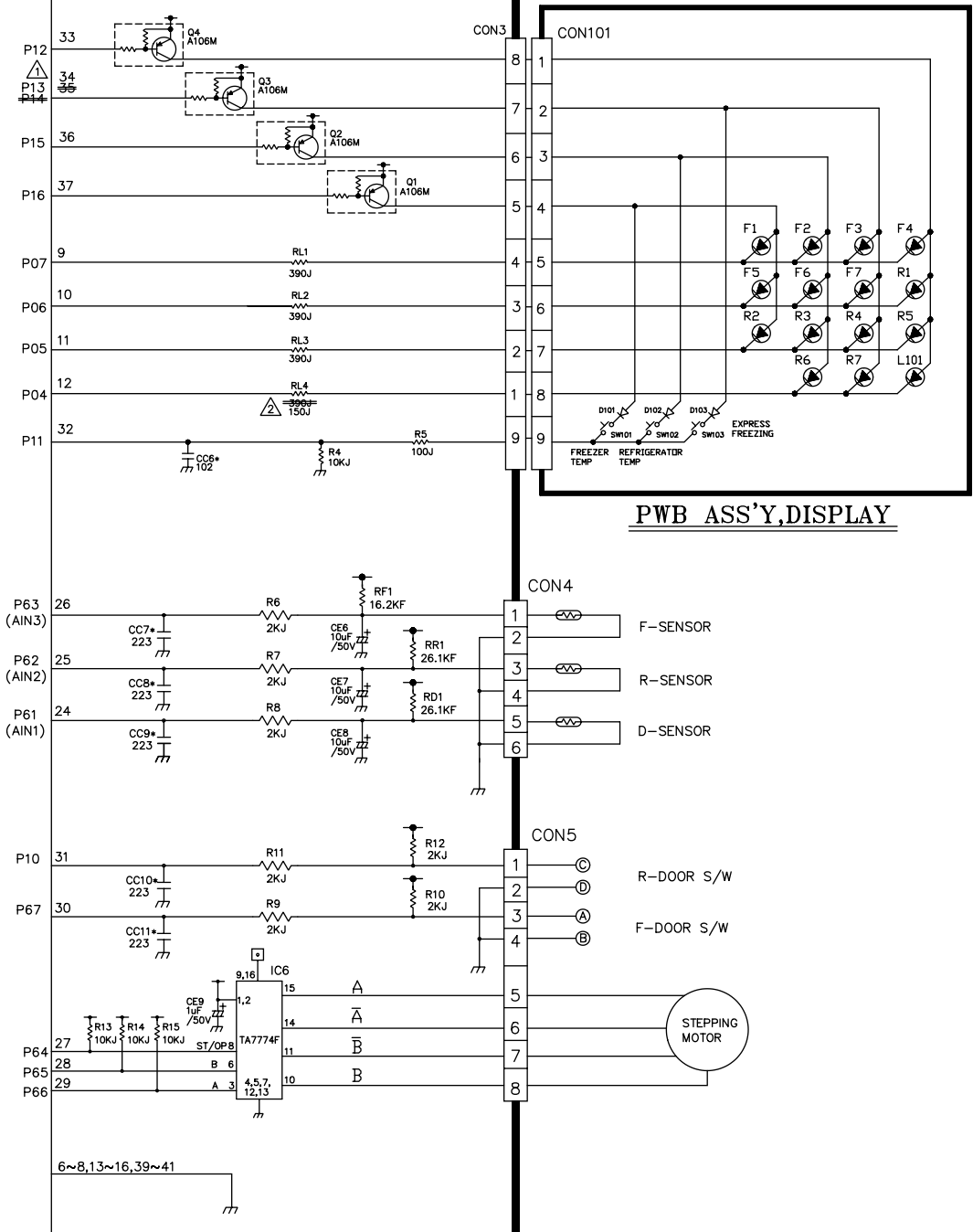
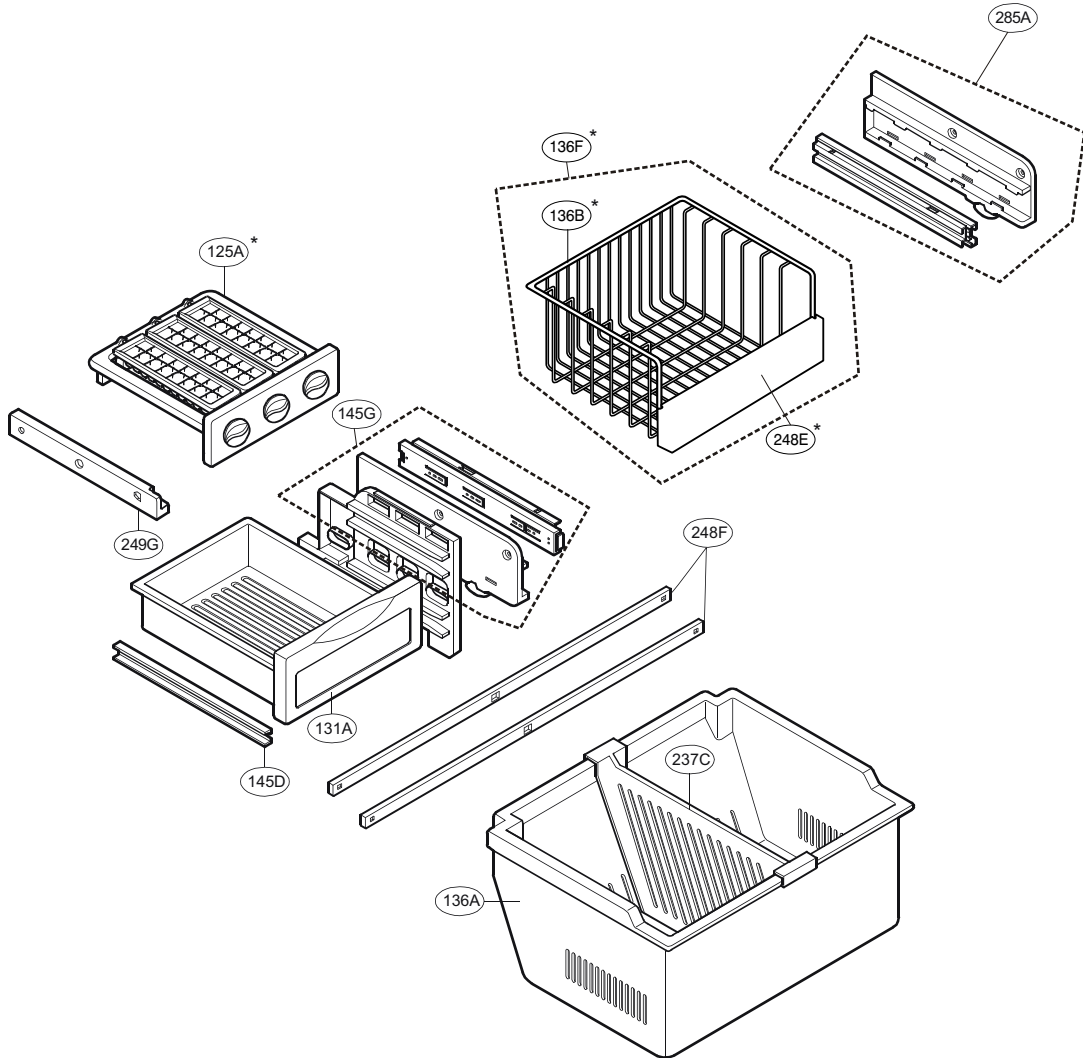


FIG.1 CIRCUIT DIAGRAM



FREEZER PARTS

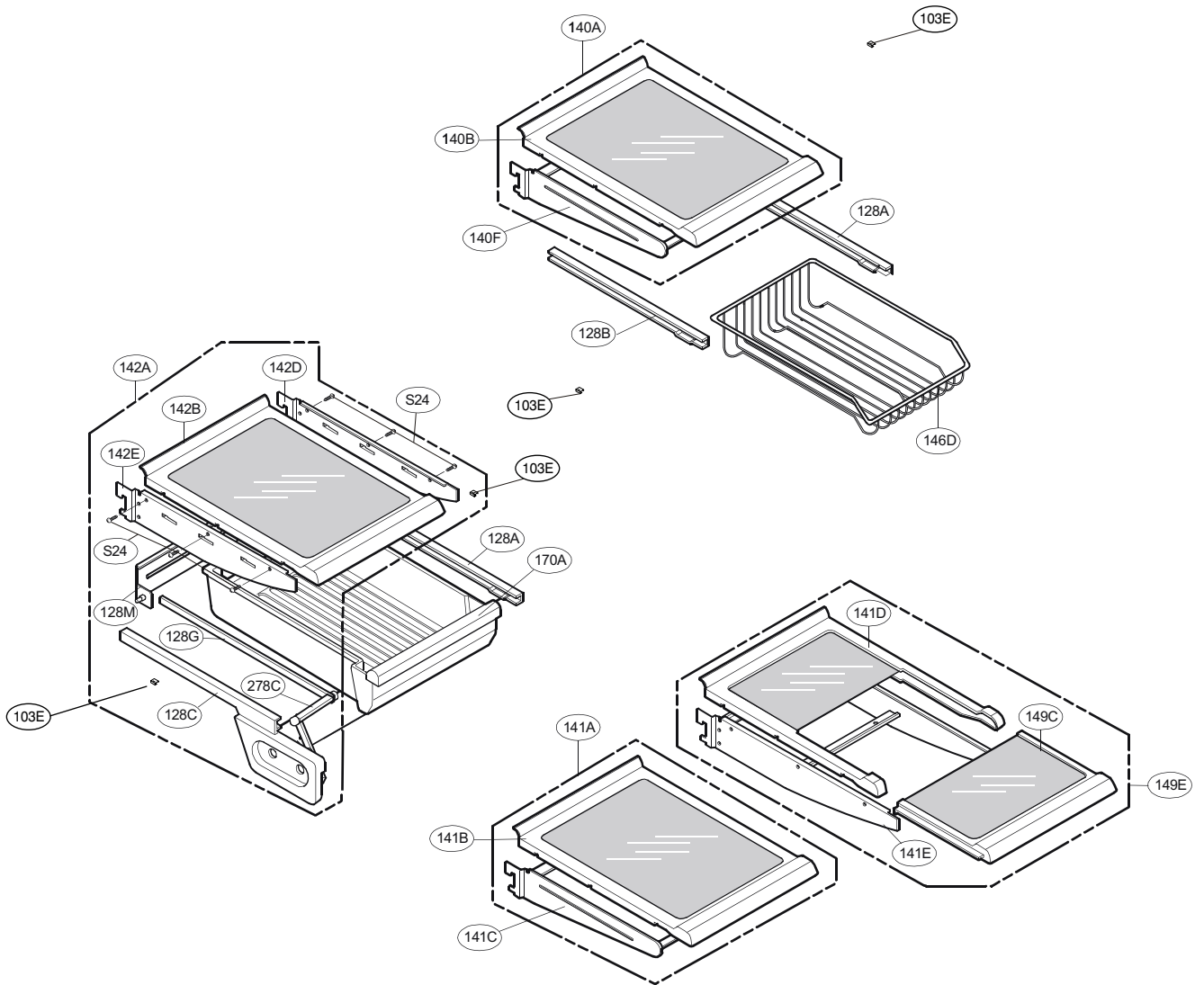
CAUTION: Use the part number to order part, not the position number.



* : on some models

REFRIGERATOR PARTS

CAUTION: Use the part number to order part, not the position number.



LRDN22734WW

LRDC22744TT

LRDN22734ST

LRDC22744SW

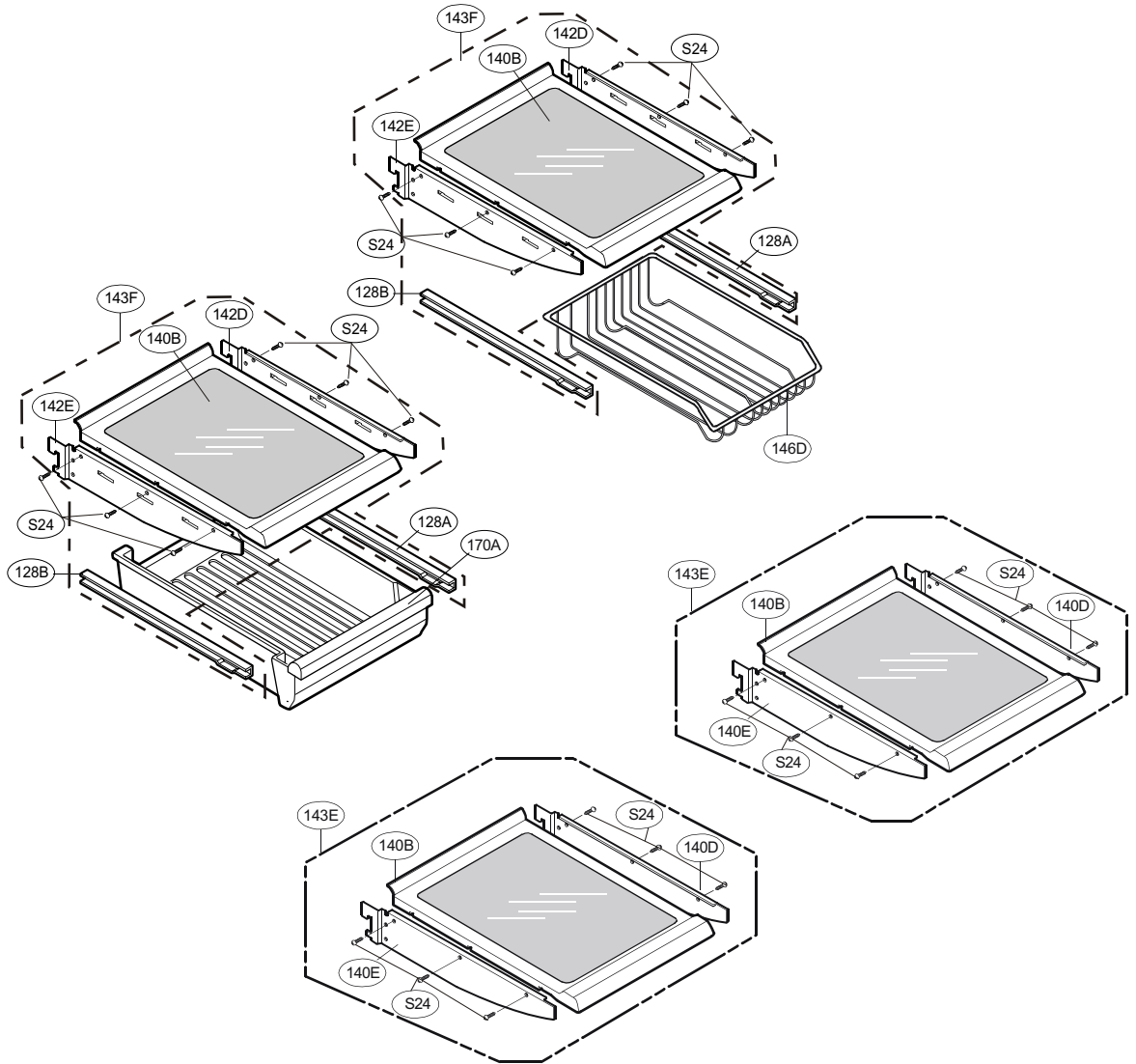
LRDN22734TT

LRDC22744ST

LRDN22734SB

REFRIGERATOR PARTS

CAUTION: Use the part number to order part, not the position number.



LRDN20724TT

LRDN22712SW

LRDN20724ST

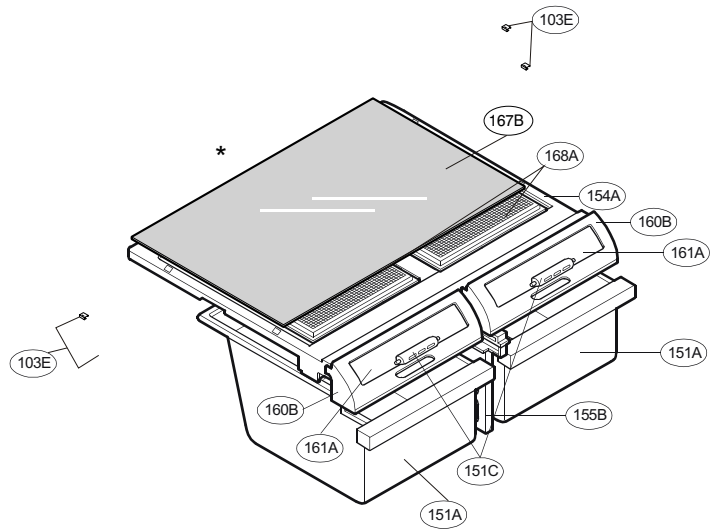
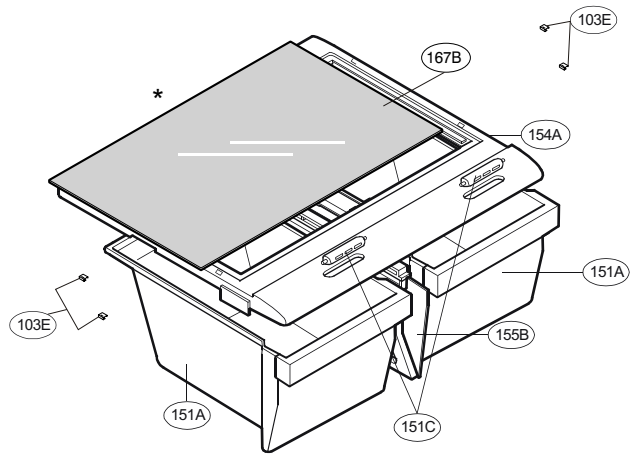
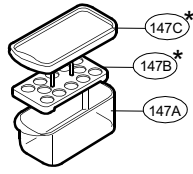
LRDN22712ST

LRDN20724SB

LRDN20724WW

REFRIGERATOR PARTS

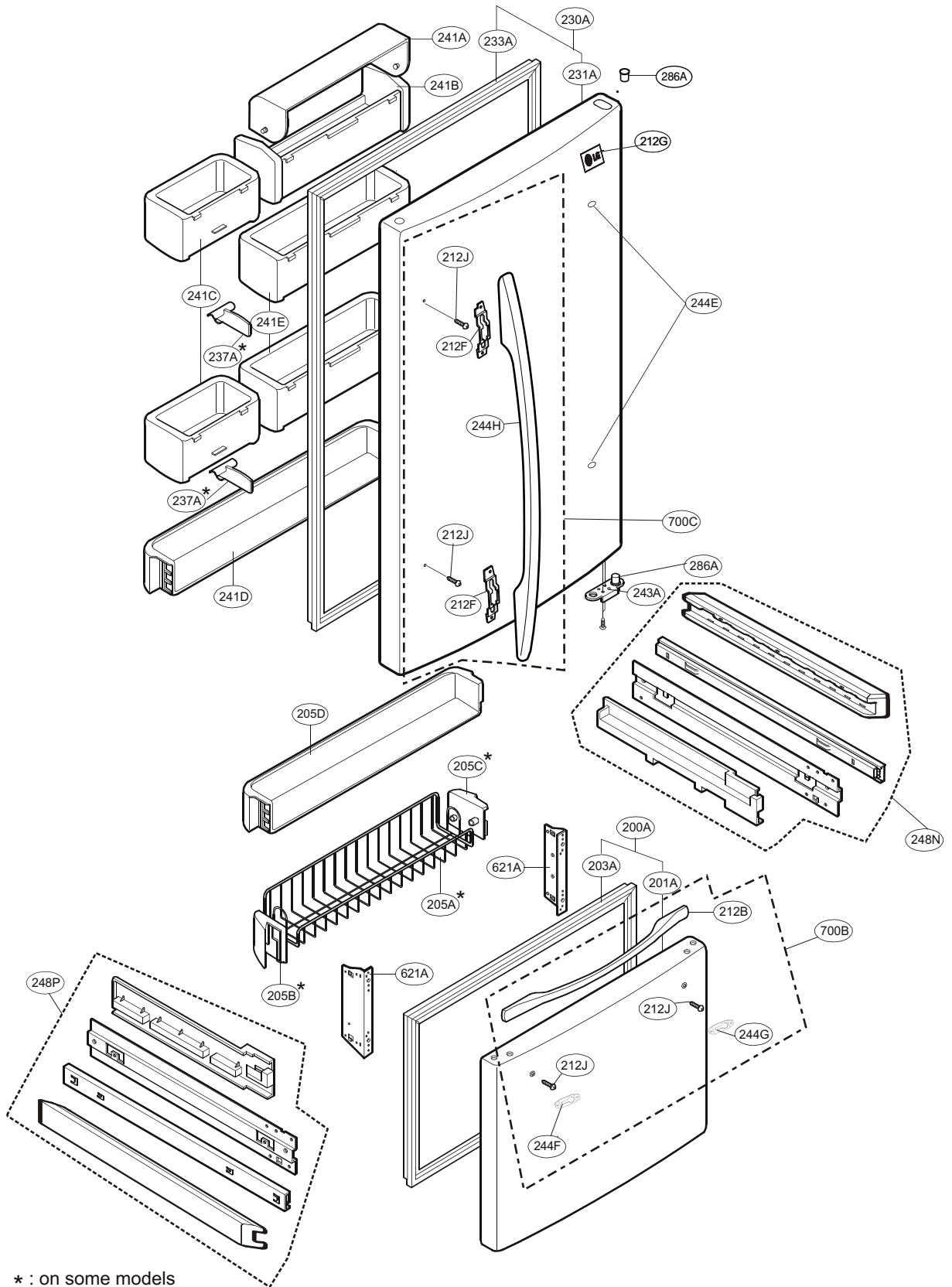
CAUTION: Use the part number to order part, not the position number.



* : on some models

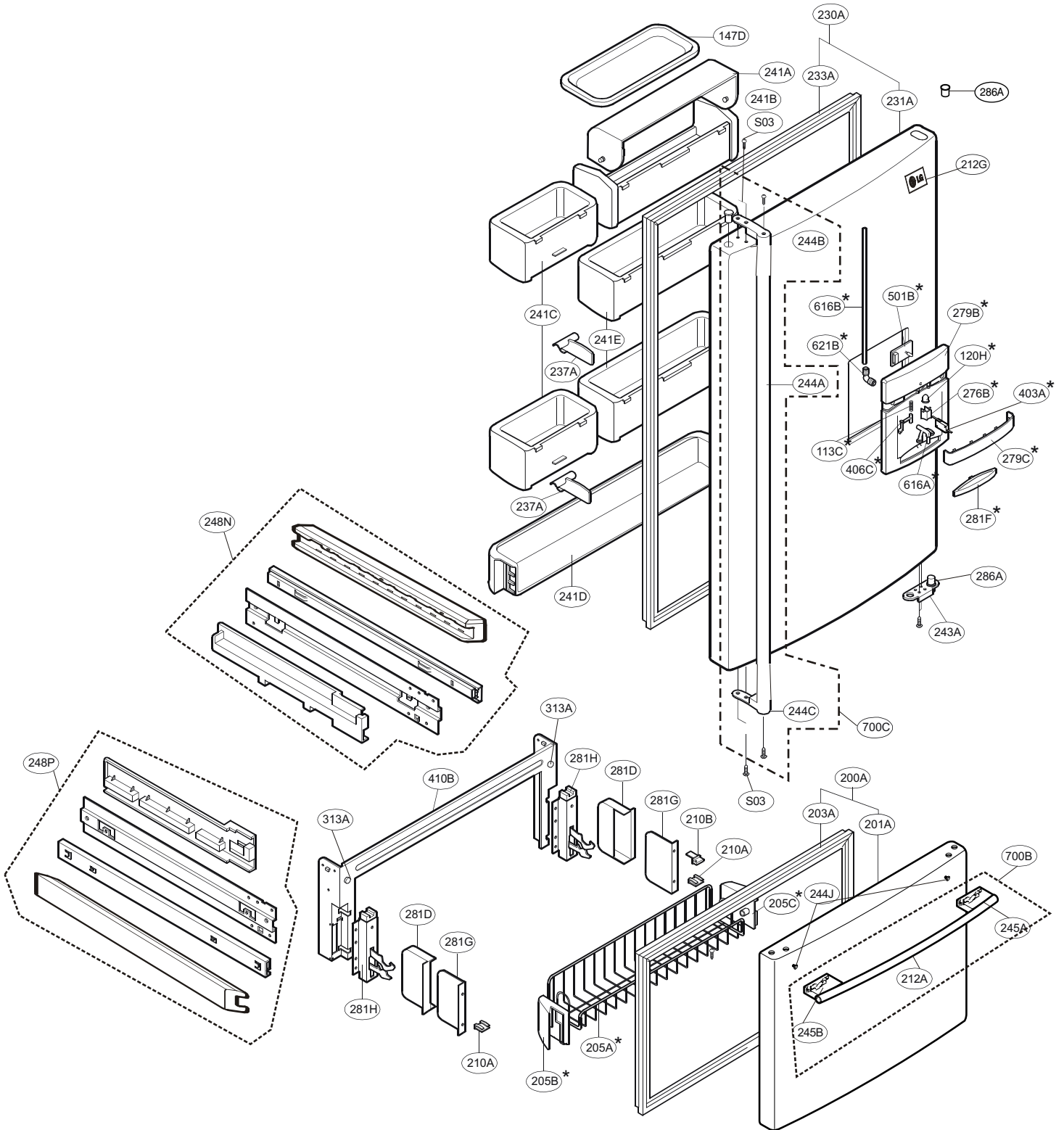
DOOR PARTS

CAUTION: Use the part number to order part, not the position number.



DOOR PARTS

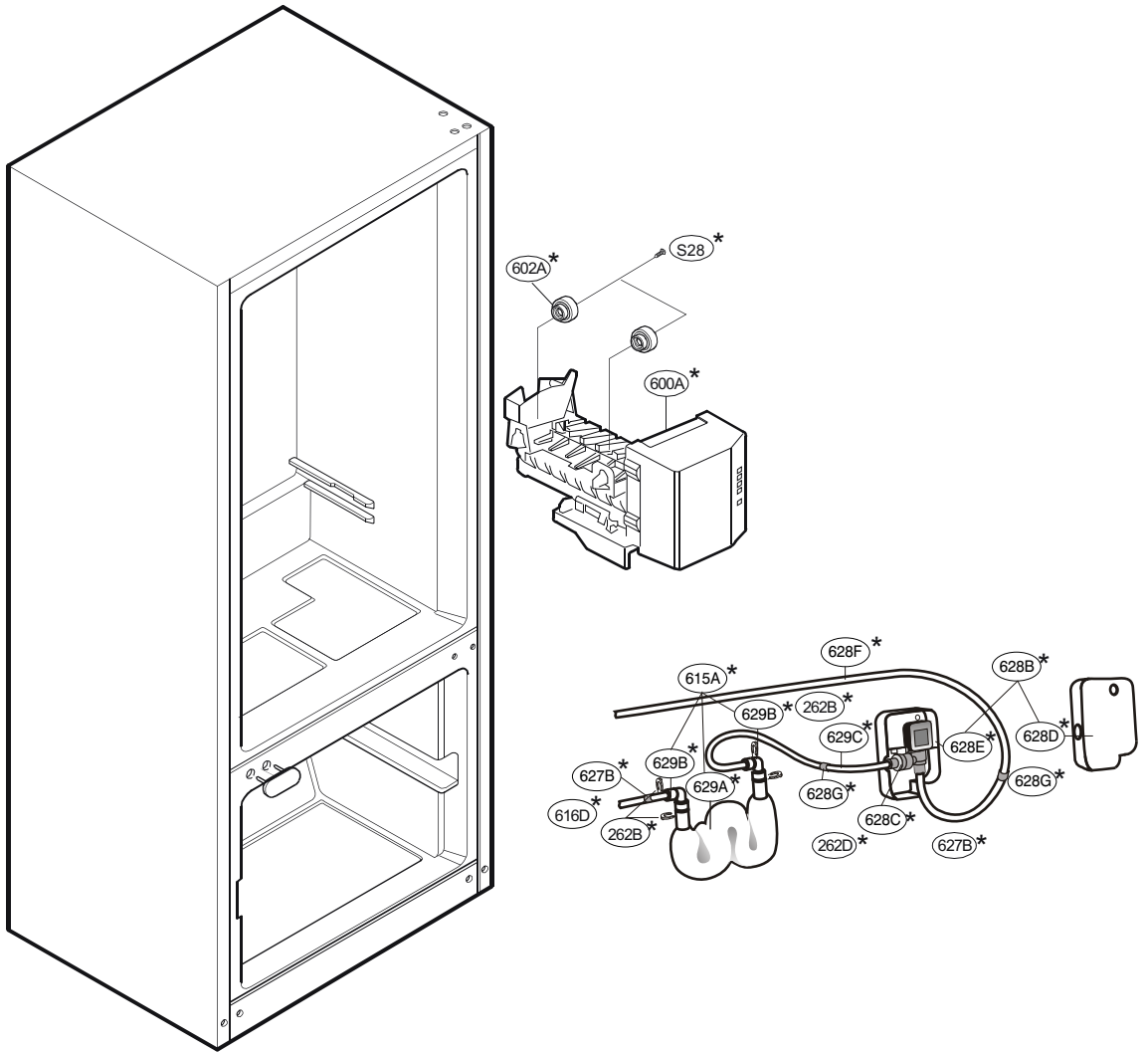
CAUTION: Use the part number to order part, not the position number.



* : on some models

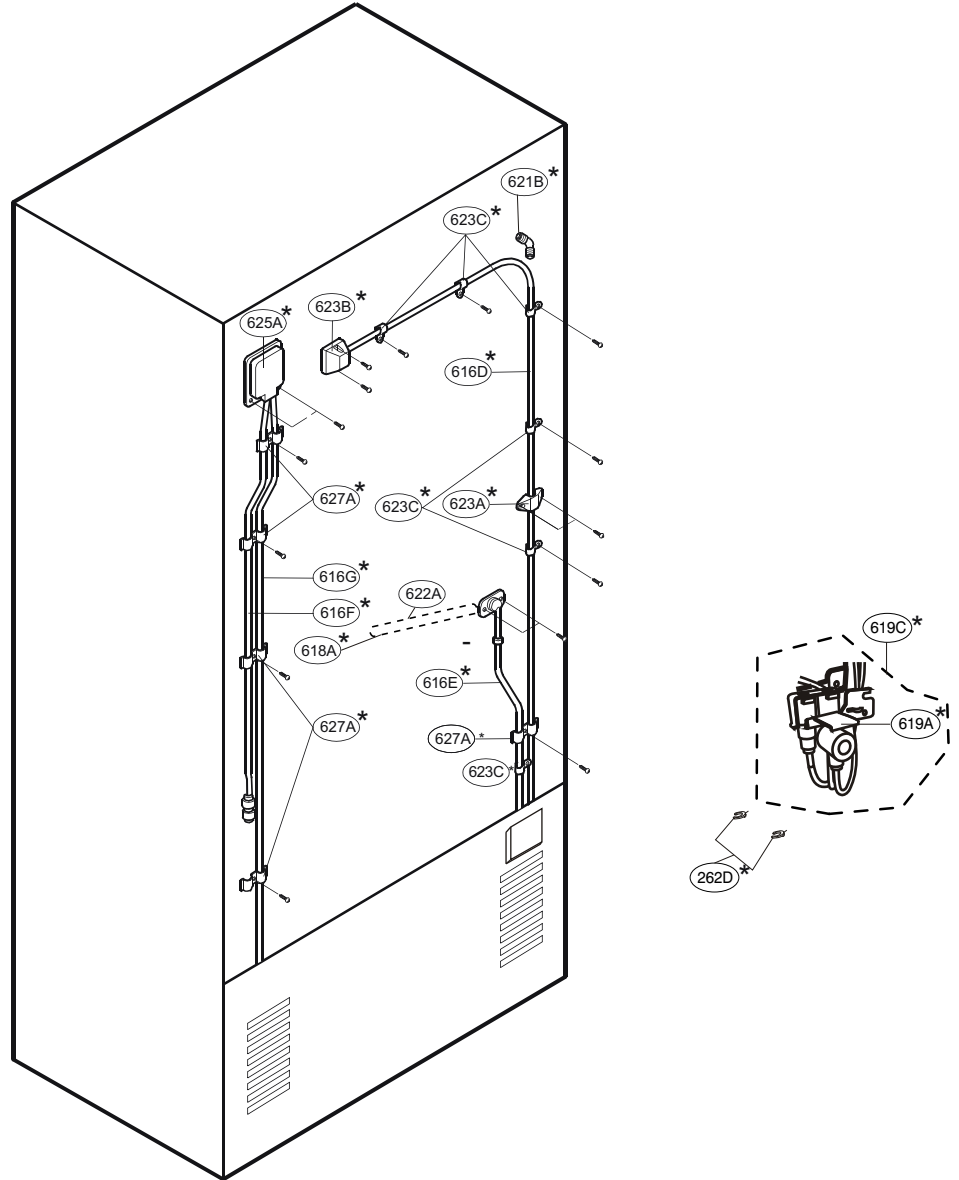
ICE MAKER PARTS

CAUTION: Use the part number to order part, not the position number.



ICE & WATER PARTS

CAUTION: Use the part number to order part, not the position number.



LOC	DESCRIPTION	PART NO.	LOC	DESCRIPTION	PART NO.
103A	HANDLE,BACK	3650JJ2003M	283B	HINGE,L	4774JJ3001A
103B	HANDLE,BACK	3650JJ2003L	284D	SCREW,DRAWING	1STZJA3004K
103C	COVER ASSEMBLY,LOWER	3551JJ1015F	285A	GUIDE ASSEMBLY,RAIL	4975JJ2007G
103E	RAIL,SLIDE	5218JJ3001A	286A	BUSH	4984JJ3003A
103E	RAIL,SLIDE	5218JJ3001A	286A	BUSH	4984JJ3003A
103E	RAIL,SLIDE	5218JJ3001A	301A	EVAPORATOR ASSEMBLY	5421JJ1001B
103E	RAIL,SLIDE	5218JJ3001A	304A	COVER ASSEMBLY,BACK-M/C	3551JJ2008B
103E	RAIL,SLIDE	5218JJ3001A	305B	ROLLER	4580JJ3001A
103E	RAIL,SLIDE	5218JJ3001A	305B	ROLLER	4580JJ3001A
105A	DRAIN ASSEMBLY,PIPE-Z	5251JA3003B	305C	PIN,DRAWING	4J04238A
105F	SKIRT,LOWER	5070JJ3002A	305C	PIN,DRAWING	4J04238A
106A	LEG ASSEMBLY,ADJUST	4779JJ2001A	307A	COMPRESSOR,SET ASSEMBLY	2521C-A5725
106B	WASHER,DRAWING	4J00382C	308A	P-T-C ASSEMBLY	6748C-0004D
113C	SPRING,W	4970JJ3004A	309A	O.L.P	6750CRO0045
120B	DUCT ASSEMBLY,MULTI	5209JJ1002A	310A	COVER,P.T.C	3550JA2042A
120H	COVER,LED	3550JJ3003A	312A	RUBBER,SEAT	5040JA3031A
128A	GUIDE ASSEMBLY,RAIL	4975JJ2002A	313A	RUBBER,SEAT	5040JJ3004A
128A	GUIDE ASSEMBLY,RAIL	4975JJ2002A	314A	STOPPER,COMP	4620JA3009A
128B	GUIDE ASSEMBLY,RAIL	4975JJ2002B	315A	COMP BASE ASSEMBLY,STD	3103JJ1001J
128C	GUIDE ASSEMBLY,RAIL	4975JJ2003C	317A	DRIER ASSEMBLY	5851JJ2002B
128G	LINK	4520JJ2001A	318A	HOLDER,DRIER	4930JJ3002A
128M	GUIDE,AIR	4974JJ2011A	319A	TRAY,DRIP	3390JJ0003A
131A	BANK ASSEMBLY,ICE	5075JJ1001B	319C	GUIDE,FAN	4974JJ1009A
135C	COVER,GRILLE FAN	3550JJ2030A	319E	BRACKET,MOTOR	4810JJ2005A
136A	TRAY ASSEMBLY,DRAWER	3391JJ1011B	323B	CONDENSER ASSEMBLY,WIRE	5403JJ1007A
136B	TRAY,DRAWER	3390JJ1087A	327A	C.A.P, DRAIN PIPE	5006JA3034A
136F	TRAY ASSEMBLY,DRAWER	3391JJ1033B	328A	RUBBER,DAMPING	4J03020A
140A	SHELF ASSEMBLY,R	5027JJ1014D	328B	RUBBER,DAMPING	4J04328A
140B	SHELF ASSEMBLY,R	5027JJ1005A	328B	RUBBER,DAMPING	4J04328A
140F	SHELF ASSEMBLY,NET	5027JJ2005F	329A	FAN ASSEMBLY	5901JJ1005A
141A	SHELF ASSEMBLY,R	5027JJ1014B	329C	FAN ASSEMBLY	5901JJ1004B
141B	SHELF ASSEMBLY,R	5027JJ1005A	332A	GRILLE ASSEMBLY,FAN	3531JJ1004A
141C	SHELF ASSEMBLY,NET	5027JJ2005C	401A	CONTROLLER ASSEMBLY(CIRC)	6615JB2005C
141D	SHELF ASSEMBLY,R	5027JJ2011B	403A	SWITCH,MICRO	6600JB3001B
141E	SHELF ASSEMBLY,NET	5027JJ2005D	404A	MOTOR ASSEMBLY,REF FAN	4681JK1004A
142A	SHELF ASSEMBLY,R	5027JJ1013U	405A	BRACKET ASSEMBLY,MOTOR	4811JJ2002A
142B	SHELF ASSEMBLY,R	5027JJ1006A	405C	RUBBER,MOTOR-F	5040JA2009B
142D	SHELF,NET	5026JJ2001L	405F	RUBBER,MOTOR-F	5040JA2004B
142E	SHELF,NET	5026JJ2001M	406B	SWITCH,[PUSH]	6600JB1004A
145A	HOLDER,SHELF	4930JJ2003A	406C	LEVER,DISPENSER	4510JJ3001A
145B	HOLDER,SHELF	4930JJ2004A	409B	LAMP,[INCANDESCENT]	6912JK2002C
145D	GUIDE,RAIL	4974JJ1012A	409D	REFLECTOR,LAMP	3034JJ1002B
145G	GUIDE ASSEMBLY,RAIL	4975JJ2005H	410A	SOCKET ASSEMBLY,LAMP	6621JK2002D
146D	CAN,SERVER	5044JJ1001A	410B	BRACKET ASSEMBLY,DOOR	4811JJ2004B
147A	BANK,DAIRY	5074JJ1005A	410G	CAPACITOR,DRAWING	0CZZJB2003H
147B	TRAY,EGG	3390JJ1014A	411A	POWER CORD ASSEMBLY	6411JK1006A
147C	COVER,BANK	3550JJ1017A	418A	HEATER,SHEATH	5300JB1100J
147D	TRAY,BUTTER	3390JJ2003A	420A	MOTOR(MECH),COOLING	4680JK1001B
149C	SHELF ASSEMBLY,R	5027JJ2010B	501A	PWB(PCB) ASSEMBLY,MAIN	6871JB1213A
149E	SHELF ASSEMBLY,R	5027JJ2009B	501B	PWB(PCB) ASSEMBLY,DISPLAY	6871JB3008A
151A	TRAY ASSEMBLY,VEGETABLE	3391JJ1019E	501F	COVER,PWB	3550JJ1042B
151C	KNOB,SHUTTER	4940JJ2003B	503C	PWB(PCB) ASSEMBLY,DISPLAY	6871JB2046A
154A	COVER,T/V	3550JJ1033A	503D	CASE,DISPLAY	3110JJ1005A
155B	SUPPORTER ASSEMBLY,COVER-T/V	4981JJ2001A	503E	COVER,DISPLAY	3550JJ2032A
158A	COVER,LAMP	3550JJ1040A	503G	DECO,CONTROL	3806JL1039A
158E	COVER,LAMP	3550JJ1051A	600A	ICE MAKER ASSEMBLY,KIT	5989JA0002A
160B	DECO,TRAY	3806JL2005D	602A	HOLDER,BRACKET	4930JA3037A
161A	COVER,TRAY	3550JJ2026A	610A	COVER,SENSOR	3550JJ2020A
167B	GLASS,SHELF	4890JL1002K	611A	FILTER ASSEMBLY,WATER	5231JA2006A
168A	COVER,MAGIC ROOM	3550JJ1035A	611B	FILTER(MECH),HEAD	5230JA2003A
170A	TRAY ASSEMBLY,MEAT	3391JJ2004K	611C	COVER,FILTER	3550JL1008B
200A	DOOR ASSEMBLY,F	3581JJ8018H	611D	COVER,FILTER	3550JJ2028A
201A	DOOR FOAM ASSEMBLY,F	5433JJ0058M	615A	TANK ASSEMBLY,WATER	4839JJ2003A
203A	GASKET ASSEMBLY,DOOR	4987JJ1004E	616A	TUBE,INJECT	5210JJ2001A
205A	BASKET,DOOR	5004JJ1042B	616B	TUBE,PE	5210JA3005N
205B	BASKET,TILT	5004JJ2005B	616D	TUBE,PE	5210JA3004M
205C	BASKET,TILT	5004JJ2005A	616E	TUBE,PE	5210JA3005N
210A	STOPPER,DOOR	4620JJ2005A	616F	TUBE,PE	5210JA3004B
210B	STOPPER,DOOR	4620JJ2008A	616G	TUBE,PE	5210JA3005P
212A	HANDLE,F	3650JJ1035A	618A	TUBE,INJECT	5210JJ3005B
212G	MARK	3846JD1007B	619A	VALVE,WATER	5220JA2013A
230A	DOOR ASSEMBLY,R	3581JJ8025C	619B	COVER,VALVE	3550JJ2024A
231A	DOOR FOAM ASSEMBLY,R	5433JJ0033C	619C	VALVE ASSEMBLY,WATER	5221JA2011A
233A	GASKET ASSEMBLY,DOOR	4987JJ1004F	621B	CONNECTOR (MECH),TUBE	4932JA3009A
237A	GUIDE,BOTTLE	4974JJ2012A	621B	CONNECTOR (MECH),TUBE	4932JA3009A
237C	GUIDE,DRAWER	4974JJ1021A	622A	TUBE,INLET	5210JJ3002A
241A	COVER,TRAY	3550JL2003H	623A	CAP,COVER	5006JJ2004A
241B	BASKET,DOOR	5004JJ1021A	623B	CAP,COVER	5006JJ2003A
241C	BASKET ASSEMBLY,DOOR	5005JJ2017A	623C	BAND (MECH)	4770JA3001A
241D	BASKET ASSEMBLY,DOOR	5005JJ2020A	623C	BAND (MECH)	4770JA3001A
241E	BASKET ASSEMBLY,DOOR	5005JJ2018A	625A	COVER,TUBE	3550JJ2034A
243A	STOPPER,DOOR	4620JJ3006C	627A	HOLDER,PIPE	4930JA3054A
244A	HANDLE,R	3650JJ1034E	627B	HOLDER,BRACKET	4930JA3091A
244B	HOLDER,HANDLE	4930JJ2023A	627B	HOLDER,BRACKET	4930JA3091A
244C	HOLDER,HANDLE	4930JJ2022A	627B	HOLDER,BRACKET	4930JA3091A
244J	STOPPER,HANDLE	4620JJ3007A	627B	HOLDER,BRACKET	4930JA3091A
245A	HOLDER,HANDLE	4930JJ2019B	627B	HOLDER,BRACKET	4930JA3091A
245B	HOLDER,HANDLE	4930JJ2020B	628B	VALVE ASSEMBLY,WATER	5221JJ2002A
248E	DECO,TRAY	3806JJ2035A	628C	VALVE,WATER	5220JB2001A
248F	SUPPORTER,HOLDER	4980JJ2005A	628D	COVER,VALVE	3550JJ2058A
248N	RAIL ASSEMBLY,SLIDE	5219JJ2002A	628E	COVER,VALVE	3550JJ2059A
248P	RAIL ASSEMBLY,SLIDE	5219JJ2002B	628F	TUBE,PE	5210JA3005B
262A	HOLDER,BRACKET	4930JA3093A	628G	HOLDER,PIPE	4930JA3087A
262A	HOLDER,BRACKET	4930JA3093A	629A	TANK,WATER	4838JJ1003A
262A	HOLDER,BRACKET	4930JA3093A	629B	CONNECTOR (MECH),TUBE	4932JA3009B
262B	HOLDER,BRACKET	4930JA3093B	629C	TUBE,PE	5210JA3004P
262D	CLIP	4004JA3002A	700B	HANDLE ASSEMBLY,F	3651JJ2010G
262D	CLIP	4004JA3002A	700C	HANDLE ASSEMBLY,R	3651JJ2017A
276B	BUTTON,LEVER	5020JJ3001C	903A	COVER,LOWER	3550JJ0006C
278C	LEVER,SHUTTER	4510JJ2002A	903B	HOLDER,COVER LOWER	4930JJ2021A
279B	COVER,DISPENSER	3550JL1005D	903D	SENSOR	6500JK1003A
279C	DECO,DISPENSER	3806JJ2021D	903E	SENSOR	6500JK1004A
281A	COVER,HINGE	3550JJ1039C	B01	SCREW,DRAWING	1STZJA3004F
281B	HINGE ASSEMBLY,U	4775JJ2005A	S01	SCREW,DRAWING	1SZZJJ3010A
281C	HINGE ASSEMBLY,L	4775JJ2008A	S03	SCREW,DRAWING	1SZZJJ3018A
281D	COVER,HINGE	3550JJ2043A	S07	SCREW,DRAWING	4000W4A003A
281F	DECO,DRAIN	3806JJ2020D	S22	SCREW,DRAWING	3J05696C
281G	COVER,HINGE	3550JJ2044A	S24	SCREW,DRAWING	1SZZJA3011B
281H	HINGE ASSEMBLY,L	4775JJ2011A	S24	SCREW,DRAWING	1SZZJA3011B
282B	HINGE ASSEMBLY,C	4775JJ8002C	S24	SCREW,DRAWING	1SZZJA3011B
282E	CAP,HINGE	5006JJ2001F	S24	SCREW,DRAWING	1SZZJA3011B
282F	DECO,DUCT	3806JL2006E	S28	SCREW,DRAWING	3J05696W
282H	CAP,HINGE	5006JJ3004E	S38	SCREW,DRAWING	4J00415D

LOC	DESCRIPTION	PART NO.	LOC	DESCRIPTION	PART NO.
103A	HANDLE, BACK	3650JJ2003E	283B	HINGE, L	4774JJ3001A
103B	HANDLE, BACK	3650JJ2003A	284D	SCREW, DRAWING	1STZJA3004K
103C	COVER ASSEMBLY, LOWER	3551JJ1015B	285A	GUIDE ASSEMBLY, RAIL	4975JJ2007G
103E	RAIL, SLIDE	5218JJ3001A	286A	BUSH	4984JJ3003A
103E	RAIL, SLIDE	5218JJ3001A	286A	BUSH	4984JJ3003A
103E	RAIL, SLIDE	5218JJ3001A	301A	EVAPORATOR ASSEMBLY	5421JJ1001B
103E	RAIL, SLIDE	5218JJ3001A	304A	COVER ASSEMBLY, BACK-M/C	3551JJ2008B
103E	RAIL, SLIDE	5218JJ3001A	305B	ROLLER	4580JJ3001A
103E	RAIL, SLIDE	5218JJ3001A	305B	ROLLER	4580JJ3001A
105A	DRAIN ASSEMBLY, PIPE-Z	5251JA3003B	305C	PIN, DRAWING	4J04238A
105F	SKIRT, LOWER	5070JJ3002A	305C	PIN, DRAWING	4J04238A
106A	LEG ASSEMBLY, ADJUST	4779JJ2001A	307A	COMPRESSOR, SET ASSEMBLY	2521C-A5725
106B	WASHER, DRAWING	4J00382C	308A	P.T.C ASSEMBLY	6748C-0004D
113C	SPRING, W	4970JJ3004A	309A	O.L.P	6750CR0004S
120B	DUCT ASSEMBLY, MULTI	5209JJ1002A	310A	COVER, P.T.C	3550JA2042A
120H	COVER, LED	3550JJ3003A	312A	RUBBER, SEAT	5040JA3031A
128A	GUIDE ASSEMBLY, RAIL	4975JJ2002A	313A	RUBBER, SEAT	5040JJ3004A
128A	GUIDE ASSEMBLY, RAIL	4975JJ2002A	314A	STOPPER, COMP	4620JA3009A
128B	GUIDE ASSEMBLY, RAIL	4975JJ2002B	315A	COMP BASE ASSEMBLY, STD	3103JJ1001J
128C	GUIDE ASSEMBLY, RAIL	4975JJ2003C	317A	DRIER ASSEMBLY	5851JJ2002B
128G	LINK	4520JJ2001A	318A	HOLDER, DRIER	4930JJ3002A
128M	GUIDE, AIR	4974JJ2011A	319A	TRAY, DRIP	3390JJ0003A
131A	BANK ASSEMBLY, ICE	5075JJ1001B	319C	GUIDE, FAN	4974JJ1009A
135C	COVER, GRILLE FAN	3550JJ2030A	319E	BRACKET, MOTOR	4810JJ2005A
136A	TRAY ASSEMBLY, DRAWER	3391JJ1011B	323B	CONDENSER ASSEMBLY, WIRE	5403JJ1007A
136B	TRAY, DRAWER	3390JJ1087A	327A	CAP, DRAIN PIPE	5006JA3034A
136F	TRAY ASSEMBLY, DRAWER	3391JJ1033B	328A	RUBBER, DAMPING	4J03020A
140A	SHELF ASSEMBLY, R	5027JJ1014D	328B	RUBBER, DAMPING	4J04328A
140B	SHELF ASSEMBLY, R	5027JJ1005A	328B	RUBBER, DAMPING	4J04328A
140F	SHELF ASSEMBLY, NET	5027JJ2005F	329A	FAN ASSEMBLY	5901JJ1005A
141A	SHELF ASSEMBLY, R	5027JJ1014B	329C	FAN ASSEMBLY	5901JJ1004B
141B	SHELF ASSEMBLY, R	5027JJ1005A	332A	GRILLE ASSEMBLY, FAN	3531JJ1004A
141C	SHELF ASSEMBLY, NET	5027JJ2005C	401A	CONTROLLER ASSEMBLY (CIRC)	6615JB2005C
141D	SHELF ASSEMBLY, R	5027JJ2011B	403A	SWITCH, MICRO	6600JB3001B
141E	SHELF ASSEMBLY, NET	5027JJ2005D	404A	MOTOR ASSEMBLY, REF FAN	4681JK1004A
142A	SHELF ASSEMBLY, R	5027JJ1013U	405A	BRACKET ASSEMBLY, MOTOR	4811JJ2002A
142B	SHELF ASSEMBLY, R	5027JJ1006A	405C	RUBBER, MOTOR-F	5040JA2009B
142D	SHELF, NET	5026JJ2001L	405F	RUBBER, MOTOR-F	5040JA2004B
142E	SHELF, NET	5026JJ2001M	406B	SWITCH, [PUSH]	6600JB1004A
145A	HOLDER, SHELF	4930JJ2003A	406C	LEVER, DISPENSER	4510JJ3001A
145B	HOLDER, SHELF	4930JJ2004A	409B	LAMP, [INCANDESCENT]	6912JK2002C
145D	GUIDE, RAIL	4974JJ1012A	409D	REFLECTOR, LAMP	3034JJ1002B
145G	GUIDE ASSEMBLY, RAIL	4975JJ2005H	410A	SOCKET ASSEMBLY, LAMP	6621JK2002D
146D	CAN, SERVER	5044JJ1001A	410B	BRACKET ASSEMBLY, DOOR	4811JJ2004B
147A	BANK, DAIRY	5074JJ1005A	410G	CAPACITOR, DRAWING	0CZZJB2003H
147B	TRAY, EGG	3390JJ1014A	411A	POWER CORD ASSEMBLY	6411JK1006A
147C	COVER, BANK	3550JJ1017A	418A	HEATER, SHEATH	5300JB1100J
147D	TRAY, BUTTER	3390JJ2003A	420A	MOTOR (MECH), COOLING	4680JK1001B
149C	SHELF ASSEMBLY, R	5027JJ2010B	501A	PWB(PCB) ASSEMBLY, MAIN	6871JB1213A
149E	SHELF ASSEMBLY, R	5027JJ2009B	501B	PWB(PCB) ASSEMBLY, DISPLAY	6871JB3008A
151A	TRAY ASSEMBLY, VEGETABLE	3391JJ1019E	501F	COVER, PWB	3550JJ1042B
151C	KNOB, SHUTTER	4940JJ2003B	503C	PWB(PCB) ASSEMBLY, DISPLAY	6871JB2046A
154A	COVER, T/V	3550JJ1033A	503D	CASE, DISPLAY	3110JJ1005A
155B	SUPPORTER ASSEMBLY, COVER-T/V	4981JJ2001A	503E	COVER, DISPLAY	3550JJ2032A
158A	COVER, LAMP	3550JJ1040A	503G	DECO, CONTROL	3806JL1039A
158E	COVER, LAMP	3550JJ1051A	600A	ICE MAKER ASSEMBLY, KIT	5989JA0002A
160B	DECO, TRAY	3806JL2005D	602A	HOLDER, BRACKET	4930JA3037A
161A	COVER, TRAY	3550JJ2026A	610A	COVER, SENSOR	3550JJ2020A
167B	GLASS, SHELF	4890JL1002K	611A	FILTER ASSEMBLY, WATER	5231JA2006A
168A	COVER, MAGIC ROOM	3550JJ1035A	611B	FILTER (MECH), HEAD	5230JA2003A
170A	TRAY ASSEMBLY, MEAT	3391JJ2004K	611C	COVER, FILTER	3550JL1008B
200A	DOOR ASSEMBLY, F	3581JJ8018K	611D	COVER, FILTER	3550JJ2028A
201A	DOOR FOAM ASSEMBLY, F	5433JJ0058N	615A	TANK ASSEMBLY, WATER	4839JJ2003A
203A	GASKET ASSEMBLY, DOOR	4987JJ1004A	616A	TUBE, INJECT	5210JJ2001A
205A	BASKET, DOOR	5004JJ1042B	616B	TUBE, PE	5210JA3005N
205B	BASKET, TILT	5004JJ2005B	616D	TUBE, PE	5210JA3004M
205C	BASKET, TILT	5004JJ2005A	616E	TUBE, PE	5210JA3005N
210A	STOPPER, DOOR	4620JJ2005A	616F	TUBE, PE	5210JA3004B
210B	STOPPER, DOOR	4620JJ2008A	616G	TUBE, PE	5210JA3005P
212A	HANDLE, F	3650JJ1035B	618A	TUBE, INJECT	5210JJ3005B
212G	MARK	3846JD1007B	619A	VALVE, WATER	5220JA2013A
230A	DOOR ASSEMBLY, R	3581JJ8025B	619B	COVER, VALVE	3550JJ2024A
231A	DOOR FOAM ASSEMBLY, R	5433JJ0033A	619C	VALVE ASSEMBLY, WATER	5221JA2011A
233A	GASKET ASSEMBLY, DOOR	4987JJ1004B	621B	CONNECTOR (MECH), TUBE	4932JA3009A
237A	GUIDE, BOTTLE	4974JJ2012A	621B	CONNECTOR (MECH), TUBE	4932JA3009A
237C	GUIDE, DRAWER	4974JJ1021A	622A	TUBE, INLET	5210JJ3002A
241A	COVER, TRAY	3550JL2003H	623A	CAP, COVER	5006JJ2004A
241B	BASKET, DOOR	5004JJ1021A	623B	CAP, COVER	5006JJ2003A
241C	BASKET ASSEMBLY, DOOR	5005JJ2017A	623C	BAND (MECH)	4770JA3001A
241D	BASKET ASSEMBLY, DOOR	5005JJ2020A	623C	BAND (MECH)	4770JA3001A
241E	BASKET ASSEMBLY, DOOR	5005JJ2018A	625A	COVER, TUBE	3550JJ2034A
243A	STOPPER, DOOR	4620JJ3006A	627A	HOLDER, PIPE	4930JA3054A
244A	HANDLE, R	3650JJ1034K	627B	HOLDER, BRACKET	4930JA3091A
244B	HOLDER, HANDLE	4930JJ2023B	627B	HOLDER, BRACKET	4930JA3091A
244C	HOLDER, HANDLE	4930JJ2022B	627B	HOLDER, BRACKET	4930JA3091A
244J	STOPPER, HANDLE	4620JJ3007A	627B	HOLDER, BRACKET	4930JA3091A
245A	HOLDER, HANDLE	4930JJ2019A	627B	HOLDER, BRACKET	4930JA3091A
245B	HOLDER, HANDLE	4930JJ2020A	628B	VALVE ASSEMBLY, WATER	5221JJ2002A
248E	DECO, TRAY	3806JJ2035A	628C	VALVE, WATER	5220JB2001A
248F	SUPPORTER, HOLDER	4980JJ2005A	628D	COVER, VALVE	3550JJ2058A
248N	RAIL ASSEMBLY, SLIDE	5219JJ2002A	628E	COVER, VALVE	3550JJ2059A
248P	RAIL ASSEMBLY, SLIDE	5219JJ2002B	628F	TUBE, PE	5210JA3005B
262A	HOLDER, BRACKET	4930JA3093A	628G	HOLDER, PIPE	4930JA3087A
262A	HOLDER, BRACKET	4930JA3093A	629A	TANK, WATER	4838JJ1003A
262A	HOLDER, BRACKET	4930JA3093A	629B	CONNECTOR (MECH), TUBE	4932JA3009B
262B	HOLDER, BRACKET	4930JA3093B	629C	TUBE, PE	5210JA3004F
262D	CLIP	4004JA3002A	700B	HANDLE ASSEMBLY, F	3651JJ2010H
262D	CLIP	4004JA3002A	700C	HANDLE ASSEMBLY, R	3651JJ2017B
276B	BUTTON, LEVER	5020JJ3001A	903A	COVER, LOWER	3550JJ0006A
278C	LEVER, SHUTTER	4510JJ2002A	903B	HOLDER, COVER LOWER	4930JJ2021A
279B	COVER, DISPENSER	3550JL1005A	903D	SENSOR	6500JK1003A
279C	DECO, DISPENSER	3806JJ2021A	903E	SENSOR	6500JK1004A
281A	COVER, HINGE	3550JJ1039A	B01	SCREW, DRAWING	1STZJA3004F
281B	HINGE ASSEMBLY, U	4775JJ2005A	S01	SCREW, DRAWING	1SZZJ3010A
281C	HINGE ASSEMBLY, L	4775JJ2008A	S03	SCREW, DRAWING	1SZZJ3018A
281D	COVER, HINGE	3550JJ2043A	S07	SCREW, DRAWING	4000W4A003A
281F	DECO, DRAIN	3806JJ2020A	S22	SCREW, DRAWING	3J05696C
281G	COVER, HINGE	3550JJ2044A	S24	SCREW, DRAWING	1SZZJA3011B
281H	HINGE ASSEMBLY, L	4775JJ2011A	S24	SCREW, DRAWING	1SZZJA3011B
282B	HINGE ASSEMBLY, C	4775JJ8002A	S24	SCREW, DRAWING	1SZZJA3011B
282E	CAP, HINGE	5006JJ2001A	S24	SCREW, DRAWING	1SZZJA3011B
282F	DECO, DUCT	3806JL2006E	S28	SCREW, DRAWING	3J05696W
282H	CAP, HINGE	5006JJ3004A	S38	SCREW, DRAWING	4J00415D

LOC DESCRIPTION	PART NO.	LOC DESCRIPTION	PART NO.
103A HANDLE,BACK	3650JJ2003H	282H CAP,HINGE	5006JJ3004F
103B HANDLE,BACK	3650JJ2003D	283B HINGE,L	4774JJ3001A
103C COVER ASSEMBLY,LOWER	3551JJ1015H	284D SCREW,DRAWING	15TJA3004K
103E RAIL,SLIDE	5218JJ3001A	285A GUIDE ASSEMBLY,RAIL	4975JJ2007G
103E RAIL,SLIDE	5218JJ3001A	286A BUSH	4984JJ3003A
103E RAIL,SLIDE	5218JJ3001A	301A EVAPORATOR ASSEMBLY	5421JJ1001B
103E RAIL,SLIDE	5218JJ3001A	304A COVER ASSEMBLY,BACK-M/C	3551JJ2008B
103E RAIL,SLIDE	5218JJ3001A	305B ROLLER	4580JJ3001A
103E RAIL,SLIDE	5218JJ3001A	305B ROLLER	4580JJ3001A
105A DRAIN ASSEMBLY,PIPE-Z	5251JA3003B	305C PIN,DRAWING	4J04238A
105F SKIRT,LOWER	5070JJ3002A	305C PIN,DRAWING	4J04238A
106A LEG ASSEMBLY,ADJUST	4779JJ2001A	307A COMPRESSOR,SET ASSEMBLY	2521C-A5725
106B WASHER,DRAWING	4J00382C	308A P.T.C ASSEMBLY	6748C-0004D
113C SPRING,W	4970JJ3004A	309A O.L.P	6750C-R0004S
120B DUCT ASSEMBLY,MULTI	5209JJ1002A	310A COVER,P.T.C	3550JA2042A
120H COVER,LED	3550JJ3003A	312A RUBBER,SEAT	5040JA3031A
128A GUIDE ASSEMBLY,RAIL	4975JJ2002A	313A RUBBER,SEAT	5040JJ3004A
128A GUIDE ASSEMBLY,RAIL	4975JJ2002A	314A STOPPER,COMP	4620JA3009A
128B GUIDE ASSEMBLY,RAIL	4975JJ2002B	315A COMP BASE ASSEMBLY,STD	3103JJ1001J
128C GUIDE ASSEMBLY,RAIL	4975JJ2003C	317A DRIER ASSEMBLY	5851JJ2002B
128G LINK	4520JJ2001A	318A HOLDER,DRIER	4930JJ3002A
128M GUIDE,AIR	4974JJ2011A	319A TRAY,DRIP	3390JJ0003A
131A BANK ASSEMBLY,ICE	5075JJ1001B	319C GUIDE,FAN	4974JJ1009A
135C COVER,GRILLE FAN	3550JJ2030A	319E BRACKET,MOTOR	4810JJ2005A
136A TRAY ASSEMBLY,DRAWER	3391JJ1011B	323B CONDENSER ASSEMBLY,WIRE	5403JJ1007A
136B TRAY,DRAWER	3390JJ1087A	327A CAP, DRAIN PIPE	5006JA3034A
136F TRAY ASSEMBLY,DRAWER	3391JJ1033B	328A RUBBER,DAMPING	4J03020A
140A SHELF ASSEMBLY,R	5027JJ1014D	328B RUBBER,DAMPING	4J04328A
140B SHELF ASSEMBLY,R	5027JJ1005A	328B RUBBER,DAMPING	4J04328A
140F SHELF ASSEMBLY,NET	5027JJ2005F	329A FAN ASSEMBLY	5901JJ1005A
141A SHELF ASSEMBLY,R	5027JJ1014B	329C FAN ASSEMBLY	5901JJ1004B
141B SHELF ASSEMBLY,R	5027JJ1005A	332A GRILLE ASSEMBLY,FAN	3531JJ1004A
141C SHELF ASSEMBLY,NET	5027JJ2005C	401A CONTROLLER ASSEMBLY(CIRC)	6615JB2005C
141D SHELF ASSEMBLY,R	5027JJ2011B	403A SWITCH,MICRO	6600JB3001B
141E SHELF ASSEMBLY,NET	5027JJ2005D	404A MOTOR ASSEMBLY,REF FAN	4681JK1004A
142A SHELF ASSEMBLY,R	5027JJ1013U	405A BRACKET ASSEMBLY,MOTOR	4811JJ2002A
142B SHELF ASSEMBLY,R	5027JJ1006A	405C RUBBER,MOTOR-F	5040JA2009B
142D SHELF,NET	5026JJ2001L	405F RUBBER,MOTOR-F	5040JA2004B
142E SHELF,NET	5026JJ2001M	406B SWITCH,[PUSH]	6600JB1004A
145A HOLDER,SHELF	4930JJ2003A	406C LEVER,DISPENSER	4510JJ3001A
145B HOLDER,SHELF	4930JJ2004A	409B LAMP,[INCANDESCENT]	6912JK2002C
145D GUIDE,RAIL	4974JJ1012A	409D REFLECTOR,LAMP	3034JJ1002B
145G GUIDE ASSEMBLY,RAIL	4975JJ2005H	410A SOCKET ASSEMBLY,LAMP	6621JK2002D
146D CAN,SERVER	5044JJ1001A	410B BRACKET ASSEMBLY,DOOR	4811JJ2004B
147A BANK,DAIRY	5074JJ1005A	410G CAPACITOR,DRAWING	0CZZJB2003H
147B TRAY,EGG	3390JJ1014A	411A POWER CORD ASSEMBLY	6411JK1006A
147C COVER,BANK	3550JJ1017A	418A HEATER,SHEATH	5300JB1100J
147D TRAY,BUTTER	3390JJ2003A	420A MOTOR(MECH),COOLING	4680JK1001B
149C SHELF ASSEMBLY,R	5027JJ2010B	501A PWB(PCB) ASSEMBLY,MAIN	6871JB1213A
149E SHELF ASSEMBLY,R	5027JJ2009B	501B PWB(PCB) ASSEMBLY,DISPLAY	6871JB3008A
151A TRAY ASSEMBLY,VEGETABLE	3391JJ1019E	501F COVER,PWB	3550JJ1042B
151C KNOB,SHUTTER	4940JJ2003B	503C PWB(PCB) ASSEMBLY,DISPLAY	6871JB2046A
154A COVER,T/V	3550JJ1033A	503D CASE,DISPLAY	3110JJ1005A
155B SUPPORTER ASSEMBLY,COVER-T/V	4981JJ2001A	503E COVER,DISPLAY	3550JJ2032A
158A COVER,LAMP	3550JJ1040A	503G DECO,CONTROL	3806JL1039A
158E COVER,LAMP	3550JJ1051A	600A ICE MAKER ASSEMBLY,KIT	5989JA0002A
160B DECO,TRAY	3806JL2005D	602A HOLDER,BRACKET	4930JA3037A
161A COVER,TRAY	3550JJ2026A	610A COVER,SENSOR	3550JJ2020A
167B GLASS,SHELF	4890JL1002K	611A FILTER ASSEMBLY,WATER	5231JA2006A
168A COVER,MAGIC ROOM	3550JJ1035A	611B FILTER(MECH),HEAD	5230JA2003A
170A TRAY ASSEMBLY,MEAT	3391JJ2004K	611C COVER,FILTER	3550JL1008B
200A DOOR ASSEMBLY,F	3581JJ8018J	611D COVER,FILTER	3550JJ2028A
201A DOOR FOAM ASSEMBLY,F	5433JJ0058P	615A TANK ASSEMBLY,WATER	4839JJ2003A
203A GASKET ASSEMBLY,DOOR	4987JJ1004A	616A TUBE,INJECT	5210JJ2001A
205A BASKET,DOOR	5004JJ1042B	616B TUBE,PE	5210JA3005N
205B BASKET,TILT	5004JJ2005B	616D TUBE,PE	5210JA3004M
205C BASKET,TILT	5004JJ2005A	616E TUBE,PE	5210JA3005N
210A STOPPER,DOOR	4620JJ2005A	616F TUBE,PE	5210JA3004B
210B STOPPER,DOOR	4620JJ2008A	616G TUBE,PE	5210JA3005P
212A HANDLE,F	3650JJ1035A	618A TUBE,INJECT	5210JJ3005B
212G MARK	3846JD1007B	619A VALVE,WATER	5220JA2013A
230A DOOR ASSEMBLY,R	3581JJ8025D	619B COVER,VALVE	3550JJ2024A
231A DOOR FOAM ASSEMBLY,R	5433JJ0033E	619C VALVE ASSEMBLY,WATER	5221JA2011A
233A GASKET ASSEMBLY,DOOR	4987JJ1004B	621B CONNECTOR (MECH),TUBE	4932JA3009A
237A GUIDE,BOTTLE	4974JJ2012A	621B CONNECTOR (MECH),TUBE	4932JA3009A
237C GUIDE,DRAWER	4974JJ1021A	622A TUBE,INLET	5210JJ3002A
241A COVER,TRAY	3550JJ2003H	623A CAP,COVER	5006JJ2004A
241B BASKET,DOOR	5004JJ1021A	623B CAP,COVER	5006JJ2003A
241C BASKET ASSEMBLY,DOOR	5005JJ2017A	623C BAND (MECH)	4770JA3001A
241D BASKET ASSEMBLY,DOOR	5005JJ2020A	623C BAND (MECH)	4770JA3001A
241E BASKET ASSEMBLY,DOOR	5005JJ2018A	625A COVER,TUBE	3550JJ2034A
243A STOPPER,DOOR	4620JJ3006D	627A HOLDER,PIPE	4930JA3054A
244A HANDLE,R	3650JJ1034E	627B HOLDER,BRACKET	4930JA3091A
244B HOLDER,HANDLE	4930JJ2023A	627B HOLDER,BRACKET	4930JA3091A
244C HOLDER,HANDLE	4930JJ2022A	627B HOLDER,BRACKET	4930JA3091A
244J STOPPER,HANDLE	4620JJ3007A	627B HOLDER,BRACKET	4930JA3091A
245A HOLDER,HANDLE	4930JJ2019B	627B HOLDER,BRACKET	4930JA3091A
245B HOLDER,HANDLE	4930JJ2020B	628B VALVE ASSEMBLY,WATER	5221JJ2002A
248E DECO,TRAY	3806JJ2035A	628C VALVE,WATER	5220JB2001A
248F SUPPORTER,HOLDER	4980JJ2005A	628D COVER,VALVE	3550JJ2058A
248N RAIL ASSEMBLY,SLIDE	5219JJ2002A	628E COVER,VALVE	3550JJ2059A
248P RAIL ASSEMBLY,SLIDE	5219JJ2002B	628F TUBE,PE	5210JA3005B
262A HOLDER,BRACKET	4930JA3093A	628G HOLDER,PIPE	4930JA3087A
262A HOLDER,BRACKET	4930JA3093A	629A TANK,WATER	4838JJ1003A
262B HOLDER,BRACKET	4930JA3093B	629B CONNECTOR (MECH),TUBE	4932JA3009B
262D CLIP	4930JA3093A	629C TUBE,PE	5210JA3004P
262D CLIP	4004JA3002A	700B HANDLE ASSEMBLY,F	3651JJ2010G
262D CLIP	4004JA3002A	700C HANDLE ASSEMBLY,R	3651JJ2017A
276B BUTTON,LEVER	5020JJ3001C	903A COVER,LOWER	3550JJ0006D
278C LEVER,SHUTTER	4510JJ2002A	903B HOLDER,COVER LOWER	4930JJ2021A
279B COVER,DISPENSER	3550JL1005D	903D SENSOR	6500JK1003A
279C DECO,DISPENSER	3806JJ2021D	903E SENSOR	6500JK1004A
281A COVER,HINGE	3550JJ1039D	B01 SCREW,DRAWING	15TJA3004F
281B HINGE ASSEMBLY,U	4775JJ2005A	S01 SCREW,DRAWING	15ZJJ3010A
281C HINGE ASSEMBLY,L	4775JJ2008A	S03 SCREW,DRAWING	15ZJJ3018A
281D COVER,HINGE	3550JJ2043A	S07 SCREW,DRAWING	4000W4A003A
281F DECO,DRAIN	3806JJ2020D	S22 SCREW,DRAWING	3J05696C
281G COVER,HINGE	3550JJ2044A	S24 SCREW,DRAWING	15ZJA3011B
281H HINGE ASSEMBLY,L	4775JJ2011A	S24 SCREW,DRAWING	15ZJA3011B
282B HINGE ASSEMBLY,C	4775JJ8002C	S24 SCREW,DRAWING	15ZJA3011B
282E CAP,HINGE	5006JJ2001G	S24 SCREW,DRAWING	15ZJA3011B
282F DECO,DUCT	3806JL2006E	S28 SCREW,DRAWING	3J05696W
		S38 SCREW,DRAWING	4J00415D

LOC	DESCRIPTION	PART NO.	LOC	DESCRIPTION	PART NO.
103A	HANDLE,BACK	3650JJ2003M	245B	HOLDER,HANDLE	4930JJ2020B
103B	HANDLE,BACK	3650JJ2003L	248E	DECO,TRAY	3806JJ2035A
103C	COVER ASSEMBLY,LOWER	3551JJ1015F	248F	SUPPORTER,HOLDER	4980JJ2005A
103E	RAIL,SLIDE	5218JJ3001A	248N	RAIL ASSEMBLY,SLIDE	5219JJ2002A
103E	RAIL,SLIDE	5218JJ3001A	248P	RAIL ASSEMBLY,SLIDE	5219JJ2002B
103E	RAIL,SLIDE	5218JJ3001A	249G	GUIDE,RAIL	4974JJ1011A
103E	RAIL,SLIDE	5218JJ3001A	278C	LEVER,SHUTTER	4510JJ2002A
103E	RAIL,SLIDE	5218JJ3001A	281A	COVER,HINGE	3550JJ2013C
103E	RAIL,SLIDE	5218JJ3001A	281B	HINGE ASSEMBLY,U	4775JJ2003B
105A	DRAIN ASSEMBLY,PIPE-Z	5251JA3003B	281C	HINGE ASSEMBLY,L	4775JJ2008A
105F	SKIRT,LOWER	5070JJ3002A	281D	COVER,HINGE	3550JJ2043A
106A	LEG ASSEMBLY,ADJUST	4779JJ2001A	281G	COVER,HINGE	3550JJ2044A
106B	WASHER,DRAWING	4J00382C	281H	HINGE ASSEMBLY,L	4775JJ2011A
120B	DUCT ASSEMBLY,MULTI	5209JJ1002A	282B	HINGE ASSEMBLY,C	4775JJ8002C
125A	TRAY ASSEMBLY,ICE	3391JJ1009B	282E	CAP,HINGE	5006JJ2001F
128A	GUIDE ASSEMBLY,RAIL	4975JJ2002A	282F	DECO,DUCT	3806JL2006E
128A	GUIDE ASSEMBLY,RAIL	4975JJ2002A	282H	CAP,HINGE	5006JJ3004E
128B	GUIDE ASSEMBLY,RAIL	4975JJ2002B	283B	HINGE,L	4774JJ3001A
128C	GUIDE ASSEMBLY,RAIL	4975JJ2003C	284D	SCREW,DRAWING	1STZJA3004K
128G	LINK	4520JJ2001A	285A	GUIDE ASSEMBLY,RAIL	4975JJ2007G
128M	GUIDE,AIR	4974JJ2011A	286A	BUSH	4984JJ3003A
131A	BANK ASSEMBLY,ICE	5075JJ1001B	286A	BUSH	4984JJ3003A
135C	COVER,GRILLE FAN	3550JJ2030A	301A	EVAPORATOR ASSEMBLY	5421JJ1001B
136A	TRAY ASSEMBLY,DRAWER	3391JJ1011B	304A	COVER ASSEMBLY,BACK-M/C	3551JJ2008B
136B	TRAY,DRAWER	3390JJ1087A	305B	ROLLER	4580JJ3001A
136F	TRAY ASSEMBLY,DRAWER	3391JJ1033B	305B	ROLLER	4580JJ3001A
140A	SHELF ASSEMBLY,R	5027JJ1014D	305C	PIN,DRAWING	4J04238A
140B	SHELF ASSEMBLY,R	5027JJ1005A	305C	PIN,DRAWING	4J04238A
140F	SHELF ASSEMBLY,NET	5027JJ2005F	307A	COMPRESSOR,SET ASSEMBLY	2521JJ8004A
141A	SHELF ASSEMBLY,R	5027JJ1014B	308A	P.T.C ASSEMBLY	6748JJ8002A
141B	SHELF ASSEMBLY,R	5027JJ1005A	309A	O.L.P	6750JJ8002A
141C	SHELF ASSEMBLY,NET	5027JJ2005C	310A	COVER,P.T.C	3550JJ8003A
141D	SHELF ASSEMBLY,R	5027JJ2011B	312A	RUBBER,SEAT	5040JA3031A
141E	SHELF ASSEMBLY,NET	5027JJ2005D	313A	RUBBER,SEAT	5040JJ3004A
142A	SHELF ASSEMBLY,R	5027JJ1013U	314A	STOPPER,COMP	4620JA3009A
142B	SHELF ASSEMBLY,R	5027JJ1006A	315A	COMP BASE ASSEMBLY,STD	3103JJ1001J
142D	SHELF,NET	5026JJ2001L	317A	DRIER ASSEMBLY	5851JJ2002B
142E	SHELF,NET	5026JJ2001M	318A	HOLDER,DRIER	4930JJ3002A
145A	HOLDER,SHELF	4930JJ2003A	319A	TRAY,DRIP	3390JJ0003A
145B	HOLDER,SHELF	4930JJ2004A	319C	GUIDE,FAN	4974JJ1009A
145D	GUIDE,RAIL	4974JJ1012A	319E	BRACKET,MOTOR	4810JJ2005A
145G	GUIDE ASSEMBLY,RAIL	4975JJ2005H	323B	CONDENSER ASSEMBLY,WIRE	5403JJ1007A
146D	CAN,SERVER	5044JJ1001A	327A	CAP,DRAIN PIPE	5006JA3034A
147A	BANK,DAIRY	5074JJ1005A	328A	RUBBER,DAMPING	4J03020A
147B	TRAY,EGG	3390JJ1014A	328B	RUBBER,DAMPING	4J04328A
147C	COVER,BANK	3550JJ1017A	329A	FAN ASSEMBLY	5901JJ1005A
147D	TRAY,BUTTER	3390JJ2003A	329C	FAN ASSEMBLY	5901JJ1004B
149C	SHELF ASSEMBLY,R	5027JJ2010B	332A	GRILLE ASSEMBLY,FAN	3531JJ1004A
149E	SHELF ASSEMBLY,R	5027JJ2009B	401A	CONTROLLER ASSEMBLY(CIRC)	6615JB2005C
151A	TRAY ASSEMBLY,VEGETABLE	3391JJ1019E	404A	MOTOR ASSEMBLY,REF FAN	4681JK1004A
151C	KNOB,SHUTTER	4940JJ2003B	405A	BRACKET ASSEMBLY,MOTOR	4811JJ2002A
154A	COVER,T/V	3550JJ1033A	405C	RUBBER,MOTOR-F	5040JA2009B
155B	SUPPORTER ASSEMBLY,COVER-T/V	4981JJ2001A	405F	RUBBER,MOTOR-F	5040JA2004B
158A	COVER,LAMP	3550JJ1040A	406B	SWITCH,[PUSH]	6600JB1004A
158E	COVER,LAMP	3550JJ1051A	409B	LAMP,[INCANDESCENT]	6912JK2002C
160B	DECO,TRAY	3806JL2005D	409D	REFLECTOR,LAMP	3034JJ1002B
161A	COVER,TRAY	3550JJ2026A	410A	SOCKET ASSEMBLY,LAMP	6621JK2002D
167B	GLASS,SHELF	4890JL1002K	410B	BRACKET ASSEMBLY,DOOR	4811JJ2004B
168A	COVER,MAGIC ROOM	3550JJ1035A	410G	CAPACITOR,DRAWING	0CZZJB2003H
170A	TRAY ASSEMBLY,MEAT	3391JJ2004K	411A	POWER CORD ASSEMBLY	6411JK1006A
200A	DOOR ASSEMBLY,F	3581JJ8018H	418A	HEATER,SHEATH	5300JB1100J
201A	DOOR FOAM ASSEMBLY,F	5433JJ0058M	420A	MOTOR(MECH),COOLING	4680JK1001B
203A	GASKET ASSEMBLY,DOOR	4987JJ1004E	501A	PWB(PCB) ASSEMBLY,MAIN	6871JB1213B
205A	BASKET,DOOR	5004JJ1042B	501F	COVER,PWB	3550JJ1042B
205B	BASKET,TILT	5004JJ2005B	503C	PWB(PCB) ASSEMBLY,DISPLAY	6871JB2046B
205C	BASKET,TILT	5004JJ2005A	503D	CASE,DISPLAY	3110JJ1005A
210A	STOPPER,DOOR	4620JJ2005A	503E	COVER,DISPLAY	3550JJ2032A
210B	STOPPER,DOOR	4620JJ2008A	503G	DECO,CONTROL	3806JL1010A
212A	HANDLE,F	3650JJ1035A	602A	HOLDER,BRACKET	4930JA3037A
212G	MARK	3846JD1007B	610A	COVER,SENSOR	3550JJ2020A
230A	DOOR ASSEMBLY,R	3581JJ8024H	619B	COVER,VALVE	3550JJ2024A
231A	DOOR FOAM ASSEMBLY,R	5433JJ0019T	625A	COVER,TUBE	3550JJ2036A
233A	GASKET ASSEMBLY,DOOR	4987JJ1004F	700B	HANDLE ASSEMBLY,F	3651JJ2010G
237A	GUIDE,BOTTLE	4974JJ2012A	700C	HANDLE ASSEMBLY,R	3651JJ2017A
237C	GUIDE,DRAWER	4974JJ1021A	903A	COVER,LOWER	3550JJ0006C
241A	COVER,TRAY	3550JL2003H	903B	HOLDER,COVER LOWER	4930JJ2021A
241B	BASKET,DOOR	5004JJ1021A	903D	SENSOR	6500JK1003A
241C	BASKET ASSEMBLY,DOOR	5005JJ2017A	903E	SENSOR	6500JK1004A
241D	BASKET ASSEMBLY,DOOR	5005JJ2020A	B01	SCREW,DRAWING	1STZJA3004F
241E	BASKET ASSEMBLY,DOOR	5005JJ2018A	S01	SCREW,DRAWING	1SZZJJ3010A
243A	STOPPER,DOOR	4620JJ3006C	S03	SCREW,DRAWING	1SZZJJ3018A
244A	HANDLE,R	3650JJ1034E	S07	SCREW,DRAWING	4000W4A003A
244B	HOLDER,HANDLE	4930JJ2023A	S22	SCREW,DRAWING	3J05696C
244C	HOLDER,HANDLE	4930JJ2022A	S24	SCREW,DRAWING	1SZZJA3011B
244J	STOPPER,HANDLE	4620JJ3007A	S28	SCREW,DRAWING	3J05696W
245A	HOLDER,HANDLE	4930JJ2019B	S38	SCREW,DRAWING	4J00415D

LOC	DESCRIPTION	PART NO.	LOC	DESCRIPTION	PART NO.
103A	HANDLE,BACK	3650JJ2003H	245B	HOLDER,HANDLE	4930JJ2020B
103B	HANDLE,BACK	3650JJ2003D	248E	DECO,TRAY	3806JJ2035A
103C	COVER ASSEMBLY,LOWER	3551JJ1015H	248F	SUPPORTER,HOLDER	4980JJ2005A
103E	RAIL,SLIDE	5218JJ3001A	248N	RAIL ASSEMBLY,SLIDE	5219JJ2002A
103E	RAIL,SLIDE	5218JJ3001A	248P	RAIL ASSEMBLY,SLIDE	5219JJ2002B
103E	RAIL,SLIDE	5218JJ3001A	249G	GUIDE,RAIL	4974JJ1011A
103E	RAIL,SLIDE	5218JJ3001A	278C	LEVER,SHUTTER	4510JJ2002A
103E	RAIL,SLIDE	5218JJ3001A	281A	COVER,HINGE	3550JJ2013D
103E	RAIL,SLIDE	5218JJ3001A	281B	HINGE ASSEMBLY,U	4775JJ2003B
105A	DRAIN ASSEMBLY,PIPE-Z	5251JA3003B	281C	HINGE ASSEMBLY,L	4775JJ2008A
105F	SKIRT,LOWER	5070JJ3002A	281D	COVER,HINGE	3550JJ2043A
106A	LEG ASSEMBLY,ADJUST	4779JJ2001A	281G	COVER,HINGE	3550JJ2044A
106B	WASHER,DRAWING	4J00382C	281H	HINGE ASSEMBLY,L	4775JJ2011A
120B	DUCT ASSEMBLY,MULTI	5209JJ1002A	282B	HINGE ASSEMBLY,C	4775JJ8002G
125A	TRAY ASSEMBLY,ICE	3391JJ1009B	282E	CAP,HINGE	5006JJ2001G
128A	GUIDE ASSEMBLY,RAIL	4975JJ2002A	282F	DECO,DUCT	3806JJ2006E
128A	GUIDE ASSEMBLY,RAIL	4975JJ2002A	282H	CAP,HINGE	5006JJ3004F
128B	GUIDE ASSEMBLY,RAIL	4975JJ2002B	283B	HINGE,L	4774JJ3001A
128C	GUIDE ASSEMBLY,RAIL	4975JJ2003C	284D	SCREW,DRAWING	1STZJA3004K
128G	LINK	4520JJ2001A	285A	GUIDE ASSEMBLY,RAIL	4975JJ2007G
128M	GUIDE,AIR	4974JJ2011A	286A	BUSH	4984JJ3003A
131A	BANK ASSEMBLY,ICE	5075JJ1001B	301A	EVAPORATOR ASSEMBLY	5421JJ1001B
135C	COVER,GRILLE FAN	3550JJ2030A	304A	COVER ASSEMBLY,BACK-M/C	3551JJ2008B
136A	TRAY ASSEMBLY,DRAWER	3391JJ1011B	305B	ROLLER	4580JJ3001A
136B	TRAY,DRAWER	3390JJ1087A	305B	ROLLER	4580JJ3001A
136F	TRAY ASSEMBLY,DRAWER	3391JJ1033B	305C	PIN,DRAWING	4J04238A
140A	SHELF ASSEMBLY,R	5027JJ1014D	305C	PIN,DRAWING	4J04238A
140B	SHELF ASSEMBLY,R	5027JJ1005A	307A	COMPRESSOR,SET ASSEMBLY	2521JJ8004A
140F	SHELF ASSEMBLY,NET	5027JJ2005F	308A	P.T.C ASSEMBLY	6748JJ8002A
141A	SHELF ASSEMBLY,R	5027JJ1014B	309A	O.L.P	6750JJ8002A
141B	SHELF ASSEMBLY,R	5027JJ1005A	310A	COVER,P.T.C	3550JJ8003A
141C	SHELF ASSEMBLY,NET	5027JJ2005C	312A	RUBBER,SEAT	5040JA3031A
141D	SHELF ASSEMBLY,R	5027JJ2011B	313A	RUBBER,SEAT	5040JJ3004A
141E	SHELF ASSEMBLY,NET	5027JJ2005D	314A	STOPPER,COMP	4620JA3009A
142A	SHELF ASSEMBLY,R	5027JJ1013U	315A	COMP BASE ASSEMBLY,STD	3103JJ1001J
142B	SHELF ASSEMBLY,R	5027JJ1006A	317A	DRIER ASSEMBLY	5851JJ2002B
142D	SHELF,NET	5026JJ2001L	318A	HOLDER,DRIER	4930JJ3002A
142E	SHELF,NET	5026JJ2001M	319A	TRAY,DRIP	3390JJ0003A
145A	HOLDER,SHELF	4930JJ2003A	319C	GUIDE,FAN	4974JJ1009A
145B	HOLDER,SHELF	4930JJ2004A	319E	BRACKET,MOTOR	4810JJ2005A
145D	GUIDE,RAIL	4974JJ1012A	323B	CONDENSER ASSEMBLY,WIRE	5403JJ1007A
145G	GUIDE ASSEMBLY,RAIL	4975JJ2005H	327A	CAP, DRAIN PIPE	5006JA3034A
146D	CAN,SERVER	5044JJ1001A	328A	RUBBER,DAMPING	4J03020A
147A	BANK,DAIRY	5074JJ1005A	328B	RUBBER,DAMPING	4J04328A
147B	TRAY,EGG	3390JJ1014A	329A	FAN ASSEMBLY	5901JJ1005A
147C	COVER,BANK	3550JJ1017A	329C	FAN ASSEMBLY	5901JJ1004B
147D	TRAY,BUTTER	3390JJ2003A	332A	GRILLE ASSEMBLY,FAN	3531JJ1004A
149C	SHELF ASSEMBLY,R	5027JJ2010B	401A	CONTROLLER ASSEMBLY(CIRC)	6615JB2005C
149E	SHELF ASSEMBLY,R	5027JJ2009B	404A	MOTOR ASSEMBLY,REF FAN	4681JK1004A
151A	TRAY ASSEMBLY,VEGETABLE	3391JJ1019E	405A	BRACKET ASSEMBLY,MOTOR	4811JJ2002A
151C	KNOB,SHUTTER	4940JJ2003B	405C	RUBBER,MOTOR-F	5040JA2009B
154A	COVER,T/V	3550JJ1033A	405F	RUBBER,MOTOR-F	5040JA2004B
155B	SUPPORTER ASSEMBLY,COVER-T/V	4981JJ2001A	406B	SWITCH,[PUSH]	6600JB1004A
158A	COVER,LAMP	3550JJ1040A	409B	LAMP,[INCANDESCENT]	6912JK2002C
158E	COVER,LAMP	3550JJ1051A	409D	REFLECTOR,LAMP	3034JJ1002B
160B	DECO,TRAY	3806JJ2005D	410A	SOCKET ASSEMBLY,LAMP	6621JK2002D
161A	COVER,TRAY	3550JJ2026A	410B	BRACKET ASSEMBLY,DOOR	4811JJ2004B
167B	GLASS,SHELF	4890JL1002K	410G	CAPACITOR,DRAWING	0CZZJB2003H
168A	COVER,MAGIC ROOM	3550JJ1035A	411A	POWER CORD ASSEMBLY	6411JK1006A
170A	TRAY ASSEMBLY,MEAT	3391JJ2004K	418A	HEATER,SHEATH	5300JB1100J
200A	DOOR ASSEMBLY,F	3581JJ8018J	420A	MOTOR(MECH),COOLING	4680JK1001B
201A	DOOR FOAM ASSEMBLY,F	5433JJ0058P	501A	PWB(PCB) ASSEMBLY,MAIN	6871JB1213B
203A	GASKET ASSEMBLY,DOOR	4987JJ1004A	501F	COVER,PWB	3550JJ1042B
205A	BASKET,DOOR	5004JJ1042B	503C	PWB(PCB) ASSEMBLY,DISPLAY	6871JB2046B
205B	BASKET,TILT	5004JJ2005B	503D	CASE,DISPLAY	3110JJ1005A
205C	BASKET,TILT	5004JJ2005A	503E	COVER,DISPLAY	3550JJ2032A
210A	STOPPER,DOOR	4620JJ2005A	503G	DECO,CONTROL	3806JL1010A
210B	STOPPER,DOOR	4620JJ2008A	602A	HOLDER,BRACKET	4930JA3037A
212A	HANDLE,F	3650JJ1035A	610A	COVER,SENSOR	3550JJ2020A
212G	MARK	3846JD1007B	619B	COVER,VALVE	3550JJ2024A
230A	DOOR ASSEMBLY,R	3581JJ8024U	625A	COVER,TUBE	3550JJ2036A
231A	DOOR FOAM ASSEMBLY,R	5433JJ0019V	700B	HANDLE ASSEMBLY,F	3651JJ2010G
233A	GASKET ASSEMBLY,DOOR	4987JJ1004B	700C	HANDLE ASSEMBLY,R	3651JJ2017A
237A	GUIDE,BOTTLE	4974JJ2012A	903A	COVER,LOWER	3550JJ0006D
237C	GUIDE,DRAWER	4974JJ1021A	903B	HOLDER,COVER LOWER	4930JJ2021A
241A	COVER,TRAY	3550JL2003H	903D	SENSOR	6500JK1003A
241B	BASKET,DOOR	5004JJ1021A	903E	SENSOR	6500JK1004A
241C	BASKET ASSEMBLY,DOOR	5005JJ2017A	B01	SCREW,DRAWING	1STZJA3004F
241D	BASKET ASSEMBLY,DOOR	5005JJ2020A	S01	SCREW,DRAWING	1SZJJ3010A
241E	BASKET ASSEMBLY,DOOR	5005JJ2018A	S03	SCREW,DRAWING	1SZJJ3018A
243A	STOPPER,DOOR	4620JJ3006D	S07	SCREW,DRAWING	4000W4A003A
244A	HANDLE,R	3650JJ1034E	S22	SCREW,DRAWING	3J05696C
244B	HOLDER,HANDLE	4930JJ2023A	S24	SCREW,DRAWING	1SZJA3011B
244C	HOLDER,HANDLE	4930JJ2022A	S28	SCREW,DRAWING	3J05696W
245A	HOLDER,HANDLE	4930JJ2019B	S38	SCREW,DRAWING	4J00415D

LOC	DESCRIPTION	PART NO.	LOC	DESCRIPTION	PART NO.
103A	HANDLE,BACK	3650JJ2003E	248E	DECO,TRAY	3806JJ2035A
103B	HANDLE,BACK	3650JJ2003A	248F	SUPPORTER,HOLDER	4980JJ2005A
103C	COVER ASSEMBLY,LOWER	3551JJ1015B	248N	RAIL ASSEMBLY,SLIDE	5219JJ2002A
103E	RAIL,SLIDE	5218JJ3001A	248P	RAIL ASSEMBLY,SLIDE	5219JJ2002B
103E	RAIL,SLIDE	5218JJ3001A	249G	GUIDE,RAIL	4974JJ1011A
103E	RAIL,SLIDE	5218JJ3001A	278C	LEVER,SHUTTER	4510JJ2002A
103E	RAIL,SLIDE	5218JJ3001A	281A	COVER,HINGE	3550JJ2013A
103E	RAIL,SLIDE	5218JJ3001A	281B	HINGE ASSEMBLY,U	4775JJ2003B
103E	RAIL,SLIDE	5218JJ3001A	281C	HINGE ASSEMBLY,L	4775JJ2008A
105A	DRAIN ASSEMBLY,PIPE-Z	5251JA3003B	281D	COVER,HINGE	3550JJ2043A
105F	SKIRT,LOWER	5070JJ3002A	281G	COVER,HINGE	3550JJ2044A
106A	LEG ASSEMBLY,ADJUST	4779JJ2001A	281H	HINGE ASSEMBLY,L	4775JJ2011A
106B	WASHER,DRAWING	4J00382C	282B	HINGE ASSEMBLY,C	4775JJ8002A
120B	DUCT ASSEMBLY,MULTI	5209JJ1002A	282E	CAP,HINGE	5006JJ2001A
125A	TRAY ASSEMBLY,ICE	3391JJ1009B	282F	DECO,DUCT	3806JL2006E
128A	GUIDE ASSEMBLY,RAIL	4975JJ2002A	282H	CAP,HINGE	5006JJ3004A
128A	GUIDE ASSEMBLY,RAIL	4975JJ2002A	283B	HINGE,L	4774JJ3001A
128B	GUIDE ASSEMBLY,RAIL	4975JJ2002B	284D	SCREW,DRAWING	1STZJA3004K
128C	GUIDE ASSEMBLY,RAIL	4975JJ2003C	285A	GUIDE ASSEMBLY,RAIL	4975JJ2007G
128G	LINK	4520JJ2001A	286A	BUSH	4984JJ3003A
128M	GUIDE,AIR	4974JJ2011A	286A	BUSH	4984JJ3003A
131A	BANK ASSEMBLY,ICE	5075JJ1001B	301A	EVAPORATOR ASSEMBLY	5421JJ1001B
135C	COVER,GRILLE FAN	3550JJ2030A	304A	COVER ASSEMBLY,BACK-M/C	3551JJ2008B
136A	TRAY ASSEMBLY,DRAWER	3391JJ1011B	305B	ROLLER	4580JJ3001A
136B	TRAY,DRAWER	3390JJ1087A	305B	ROLLER	4580JJ3001A
136F	TRAY ASSEMBLY,DRAWER	3391JJ1033B	305C	PIN,DRAWING	4J04238A
140A	SHELF ASSEMBLY,R	5027JJ1014D	305C	PIN,DRAWING	4J04238A
140B	SHELF ASSEMBLY,R	5027JJ1005A	307A	COMPRESSOR,SET ASSEMBLY	2521JJ8004A
140F	SHELF ASSEMBLY,NET	5027JJ2005F	308A	P.T.C ASSEMBLY	6748JJ8002A
141A	SHELF ASSEMBLY,R	5027JJ1014B	309A	O.L.P	6750JJ8002A
141B	SHELF ASSEMBLY,R	5027JJ1005A	310A	COVER,P.T.C	3550JJ8003A
141C	SHELF ASSEMBLY,NET	5027JJ2005C	312A	RUBBER,SEAT	5040JA3031A
141D	SHELF ASSEMBLY,R	5027JJ2011B	313A	RUBBER,SEAT	5040JJ3004A
141E	SHELF ASSEMBLY,NET	5027JJ2005D	314A	STOPPER,COMP	4620JA3009A
142A	SHELF ASSEMBLY,R	5027JJ1013U	315A	COMP BASE ASSEMBLY,STD	3103JJ1001J
142B	SHELF ASSEMBLY,R	5027JJ1006A	317A	DRIER ASSEMBLY	5851JJ2002B
142D	SHELF,NET	5026JJ2001L	318A	HOLDER,DRIER	4930JJ3002A
142E	SHELF,NET	5026JJ2001M	319A	TRAY,DRIP	3390JJ0003A
145A	HOLDER,SHELF	4930JJ2003A	319C	GUIDE,FAN	4974JJ1009A
145B	HOLDER,SHELF	4930JJ2004A	319E	BRACKET,MOTOR	4810JJ2005A
145D	GUIDE,RAIL	4974JJ1012A	323B	CONDENSER ASSEMBLY,WIRE	5403JJ1007A
145G	GUIDE ASSEMBLY,RAIL	4975JJ2005H	327A	CAP, DRAIN PIPE	5006JA3034A
146D	CAN,SERVER	5044JJ1001A	328A	RUBBER,DAMPING	4J03020A
147A	BANK,DAIRY	5074JJ1005A	328B	RUBBER,DAMPING	4J04328A
147B	TRAY,EGG	3390JJ1014A	329A	FAN ASSEMBLY	5901JJ1005A
147C	COVER,BANK	3550JJ1017A	329C	FAN ASSEMBLY	5901JJ1004B
147D	TRAY,BUTTER	3390JJ2003A	332A	GRILLE ASSEMBLY,FAN	3531JJ1004A
149C	SHELF ASSEMBLY,R	5027JJ2010B	401A	CONTROLLER ASSEMBLY(CIRC)	6615JB2005C
149E	SHELF ASSEMBLY,R	5027JJ2009B	404A	MOTOR ASSEMBLY,REF FAN	4681JK1004A
151A	TRAY ASSEMBLY,VEGETABLE	3391JJ1019E	405A	BRACKET ASSEMBLY,MOTOR	4811JJ2002A
151C	KNOB,SHUTTER	4940JJ2003B	405C	RUBBER,MOTOR-F	5040JA2009B
154A	COVER,T/V	3550JJ1033A	405F	RUBBER,MOTOR-F	5040JA2004B
155B	SUPPORTER ASSEMBLY,COVER-T/V	4981JJ2001A	406B	SWITCH,[PUSH]	6600JB1004A
158A	COVER,LAMP	3550JJ1040A	409B	LAMP,[INCANDESCENT]	6912JK2002C
158E	COVER,LAMP	3550JJ1051A	409D	REFLECTOR,LAMP	3034JJ1002B
160B	DECO,TRAY	3806JL2005D	410A	SOCKET ASSEMBLY,LAMP	6621JK2002D
161A	COVER,TRAY	3550JJ2026A	410B	BRACKET ASSEMBLY,DOOR	4811JJ2004B
167B	GLASS,SHELF	4890JL1002K	410G	CAPACITOR,DRAWING	0CZZJB2003H
168A	COVER,MAGIC ROOM	3550JJ1035A	411A	POWER CORD ASSEMBLY	6411JK1006A
170A	TRAY ASSEMBLY,MEAT	3391JJ2004K	418A	HEATER,SHEATH	5300JB1100J
200A	DOOR ASSEMBLY,F	3581JJ8018U	420A	MOTOR(MECH),COOLING	4680JK1001B
201A	DOOR FOAM ASSEMBLY,F	5433JJ0058S	501A	PWB(PCB) ASSEMBLY,MAIN	6871JB1213B
203A	GASKET ASSEMBLY,DOOR	4987JJ1004A	501F	COVER,PWB	3550JJ1042B
205A	BASKET,DOOR	5004JJ1042B	503C	PWB(PCB) ASSEMBLY,DISPLAY	6871JB2046B
205B	BASKET,TILT	5004JJ2005B	503D	CASE,DISPLAY	3110JJ1005A
205C	BASKET,TILT	5004JJ2005A	503E	COVER,DISPLAY	3550JJ2032A
210A	STOPPER,DOOR	4620JJ2005A	503G	DECO,CONTROL	3806JL1010A
210B	STOPPER,DOOR	4620JJ2008A	602A	HOLDER,BRACKET	4930JA3037A
212B	HANDLE,F	3650JJ0019A	610A	COVER,SENSOR	3550JJ2020A
212F	BRACKET,HANDLE	4810JJ3015A	619B	COVER,VALVE	3550JJ2024A
212G	MARK	3846JD1007B	625A	COVER,TUBE	3550JJ2036A
212J	STOPPER,HANDLE	4620JJ3007A	700B	HANDLE ASSEMBLY,F	3651JJ2016D
230A	DOOR ASSEMBLY,R	3581JJ8047A	700C	HANDLE ASSEMBLY,R	3651JJ2015D
231A	DOOR FOAM ASSEMBLY,R	5433JJ0019M	903A	COVER,LOWER	3550JJ0006A
233A	GASKET ASSEMBLY,DOOR	4987JJ1004B	903B	HOLDER,COVER LOWER	4930JJ2021A
237A	GUIDE,BOTTLE	4974JJ2012A	903D	SENSOR	6500JK1003A
237C	GUIDE,DRAWER	4974JJ1021A	903E	SENSOR	6500JK1004A
241A	COVER,TRAY	3550JL2003H	B01	SCREW,DRAWING	1STZJA3004F
241B	BASKET,DOOR	5004JJ1021A	S01	SCREW,DRAWING	1SZZJJ3010A
241C	BASKET ASSEMBLY,DOOR	5005JJ2017A	S07	SCREW,DRAWING	4000W4A003A
241D	BASKET ASSEMBLY,DOOR	5005JJ2020A	S22	SCREW,DRAWING	3J05696C
241E	BASKET ASSEMBLY,DOOR	5005JJ2018A	S24	SCREW,DRAWING	1SZZJA3011B
243A	STOPPER,DOOR	4620JJ3006A	S24	SCREW,DRAWING	1SZZJA3011B
244E	CAP,HANDLE	5006JJ3016A	S24	SCREW,DRAWING	1SZZJA3011B
244F	BRACKET,HANDLE	4810JJ2011B	S24	SCREW,DRAWING	1SZZJA3011B
244G	BRACKET,HANDLE	4810JJ2011A	S28	SCREW,DRAWING	3J05696W
244H	HANDLE,R	3650JJ0020A	S38	SCREW,DRAWING	4J00415D

LOC	DESCRIPTION	PART NO.	LOC	DESCRIPTION	PART NO.
103A	HANDLE,BACK	3650JJ2003M	245B	HOLDER,HANDLE	4930JJ2020C
103B	HANDLE,BACK	3650JJ2003L	248E	DECO,TRAY	3806JJ2035A
103C	COVER ASSEMBLY,LOWER	3551JJ1015F	248F	SUPPORTER,HOLDER	4980JJ2005A
103E	RAIL,SLIDE	5218JJ3001A	248N	RAIL ASSEMBLY,SLIDE	5219JJ2002A
103E	RAIL,SLIDE	5218JJ3001A	248P	RAIL ASSEMBLY,SLIDE	5219JJ2002B
103E	RAIL,SLIDE	5218JJ3001A	249G	GUIDE,RAIL	4974JJ1011A
103E	RAIL,SLIDE	5218JJ3001A	278C	LEVER,SHUTTER	4510JJ2002A
103E	RAIL,SLIDE	5218JJ3001A	281A	COVER,HINGE	3550JJ2013C
103E	RAIL,SLIDE	5218JJ3001A	281B	HINGE ASSEMBLY,U	4775JJ2003B
105A	DRAIN ASSEMBLY,PIPE-Z	5251JA3003B	281C	HINGE ASSEMBLY,L	4775JJ2008A
105F	SKIRT,LOWER	5070JJ3002A	281D	COVER,HINGE	3550JJ2043A
106A	LEG ASSEMBLY,ADJUST	4779JJ2001A	281G	COVER,HINGE	3550JJ2044A
106B	WASHER,DRAWING	4J00382C	281H	HINGE ASSEMBLY,L	4775JJ2011A
120B	DUCT ASSEMBLY,MULTI	5209JJ1002A	282B	HINGE ASSEMBLY,C	4775JJ8002C
125A	TRAY ASSEMBLY,ICE	3391JJ1009B	282E	CAP,HINGE	5006JJ2001F
128A	GUIDE ASSEMBLY,RAIL	4975JJ2002A	282F	DECO,DUCT	3806JL2006E
128A	GUIDE ASSEMBLY,RAIL	4975JJ2002A	282H	CAP,HINGE	5006JJ3004E
128B	GUIDE ASSEMBLY,RAIL	4975JJ2002B	283B	HINGE,L	4774JJ3001A
128C	GUIDE ASSEMBLY,RAIL	4975JJ2003C	284D	SCREW,DRAWING	1STZJA3004K
128G	LINK	4520JJ2001A	285A	GUIDE ASSEMBLY,RAIL	4975JJ2007G
128M	GUIDE,AIR	4974JJ2011A	286A	BUSH	4984JJ3003A
131A	BANK ASSEMBLY,ICE	5075JJ1001B	286A	BUSH	4984JJ3003A
135C	COVER,GRILLE FAN	3550JJ2030A	301A	EVAPORATOR ASSEMBLY	5421JJ1001B
136A	TRAY ASSEMBLY,DRAWER	3391JJ1011B	304A	COVER ASSEMBLY,BACK-M/C	3551JJ2008B
136B	TRAY,DRAWER	3390JJ1087A	305B	ROLLER	4580JJ3001A
136F	TRAY ASSEMBLY,DRAWER	3391JJ1033B	305B	ROLLER	4580JJ3001A
140A	SHELF ASSEMBLY,R	5027JJ1014D	305C	PIN,DRAWING	4J04238A
140B	SHELF ASSEMBLY,R	5027JJ1005A	305C	PIN,DRAWING	4J04238A
140F	SHELF ASSEMBLY,NET	5027JJ2005F	307A	COMPRESSOR,SET ASSEMBLY	2521JJ8004A
141A	SHELF ASSEMBLY,R	5027JJ1014B	308A	P.T.C ASSEMBLY	6748JJ8002A
141B	SHELF ASSEMBLY,R	5027JJ1005A	309A	O.L.P	6750JJ8002A
141C	SHELF ASSEMBLY,NET	5027JJ2005C	310A	COVER,P.T.C	3550JJ8003A
141D	SHELF ASSEMBLY,R	5027JJ2011B	312A	RUBBER,SEAT	5040JA3031A
141E	SHELF ASSEMBLY,NET	5027JJ2005D	313A	RUBBER,SEAT	5040JJ3004A
142A	SHELF ASSEMBLY,R	5027JJ1013U	314A	STOPPER,COMP	4620JA3009A
142B	SHELF ASSEMBLY,R	5027JJ1006A	315A	COMP BASE ASSEMBLY,STD	3103JJ1001J
142D	SHELF,NET	5026JJ2001L	317A	DRIER ASSEMBLY	5851JJ2002B
142E	SHELF,NET	5026JJ2001M	318A	HOLDER,DRIER	4930JJ3002A
145A	HOLDER,SHELF	4930JJ2003A	319A	TRAY,DRIP	3390JJ0003A
145B	HOLDER,SHELF	4930JJ2004A	319C	GUIDE,FAN	4974JJ1009A
145D	GUIDE,RAIL	4974JJ1012A	319E	BRACKET,MOTOR	4810JJ2005A
145G	GUIDE ASSEMBLY,RAIL	4975JJ2005H	323B	CONDENSER ASSEMBLY,WIRE	5403JJ1007A
146D	CAN,SERVER	5044JJ1001A	327A	CAP,DRAIN PIPE	5006JA3034A
147A	BANK,DAIRY	5074JJ1005A	328A	RUBBER,DAMPING	4J03020A
147B	TRAY,EGG	3390JJ1014A	328B	RUBBER,DAMPING	4J04328A
147C	COVER,BANK	3550JJ1017A	329A	FAN ASSEMBLY	5901JJ1005A
147D	TRAY,BUTTER	3390JJ2003A	329C	FAN ASSEMBLY	5901JJ1004B
149C	SHELF ASSEMBLY,R	5027JJ2010B	332A	GRILLE ASSEMBLY,FAN	3531JJ1004A
149E	SHELF ASSEMBLY,R	5027JJ2009B	401A	CONTROLLER ASSEMBLY(CIRC)	6615JB2005C
151A	TRAY ASSEMBLY,VEGETABLE	3391JJ1019E	404A	MOTOR ASSEMBLY,REF FAN	4681JK1004A
151C	KNOB,SHUTTER	4940JJ2003B	405A	BRACKET ASSEMBLY,MOTOR	4811JJ2002A
154A	COVER,T/V	3550JJ1033A	405C	RUBBER,MOTOR-F	5040JA2009B
155B	SUPPORTER ASSEMBLY,COVER-T/V	4981JJ2001A	405F	RUBBER,MOTOR-F	5040JA2004B
158A	COVER,LAMP	3550JJ1040A	406B	SWITCH,[PUSH]	6600JB1004A
158E	COVER,LAMP	3550JJ1051A	409B	LAMP,[INCANDESCENT]	6912JK2002C
160B	DECO,TRAY	3806JL2005D	409D	REFLECTOR,LAMP	3034JJ1002B
161A	COVER,TRAY	3550JJ2026A	410A	SOCKET ASSEMBLY,LAMP	6621JK2002D
167B	GLASS,SHELF	4890JL1002K	410B	BRACKET ASSEMBLY,DOOR	4811JJ2004B
168A	COVER,MAGIC ROOM	3550JJ1035A	410G	CAPACITOR,DRAWING	0CZZJB2003H
170A	TRAY ASSEMBLY,MEAT	3391JJ2004K	411A	POWER CORD ASSEMBLY	6411JK1006A
200A	DOOR ASSEMBLY,F	3581JJ8019Y	418A	HEATER,SHEATH	5300JB1100J
201A	DOOR FOAM ASSEMBLY,F	5433JJ0058R	420A	MOTOR(MECH),COOLING	4680JK1001B
203A	GASKET ASSEMBLY,DOOR	4987JJ1004E	501A	PWB(PCB) ASSEMBLY,MAIN	6871JB1213B
205A	BASKET,DOOR	5004JJ1042B	501F	COVER,PWB	3550JJ1042B
205B	BASKET,TILT	5004JJ2005B	503C	PWB(PCB) ASSEMBLY,DISPLAY	6871JB2046B
205C	BASKET,TILT	5004JJ2005A	503D	CASE,DISPLAY	3110JJ1005A
210A	STOPPER,DOOR	4620JJ2005A	503E	COVER,DISPLAY	3550JJ2032A
210B	STOPPER,DOOR	4620JJ2008A	503G	DECO,CONTROL	3806JL1010A
212A	HANDLE,F	3650JJ1035C	602A	HOLDER,BRACKET	4930JA3037A
212G	MARK	3846JD1007D	610A	COVER,SENSOR	3550JJ2020A
230A	DOOR ASSEMBLY,R	3581JJ8024G	619B	COVER,VALVE	3550JJ2024A
231A	DOOR FOAM ASSEMBLY,R	5433JJ0019S	625A	COVER,TUBE	3550JJ2036A
233A	GASKET ASSEMBLY,DOOR	4987JJ1004F	700B	HANDLE ASSEMBLY,F	3651JJ2010J
237A	GUIDE,BOTTLE	4974JJ2012A	700C	HANDLE ASSEMBLY,R	3651JJ2017C
237C	GUIDE,DRAWER	4974JJ1021A	903A	COVER,LOWER	3550JJ0006C
241A	COVER,TRAY	3550JL2003H	903B	HOLDER,COVER LOWER	4930JJ2021A
241B	BASKET,DOOR	5004JJ1021A	903D	SENSOR	6500JK1003A
241C	BASKET ASSEMBLY,DOOR	5005JJ2017A	903E	SENSOR	6500JK1004A
241D	BASKET ASSEMBLY,DOOR	5005JJ2020A	B01	SCREW,DRAWING	1STZJA3004F
241E	BASKET ASSEMBLY,DOOR	5005JJ2018A	S01	SCREW,DRAWING	1SZZJ3010A
243A	STOPPER,DOOR	4620JJ3006C	S03	SCREW,DRAWING	1SZZJ3018A
244A	HANDLE,R	3650JJ1034G	S07	SCREW,DRAWING	4000W4A003A
244B	HOLDER,HANDLE	4930JJ2023C	S22	SCREW,DRAWING	3J05696C
244C	HOLDER,HANDLE	4930JJ2022C	S24	SCREW,DRAWING	1SZZJA3011B
244J	STOPPER,HANDLE	4620JJ3007A	S28	SCREW,DRAWING	3J05696W
245A	HOLDER,HANDLE	4930JJ2019C	S38	SCREW,DRAWING	4J00415D

LOC	DESCRIPTION	PART NO.	LOC	DESCRIPTION	PART NO.
103A	HANDLE,BACK	3650JJ2003E	281B	HINGE ASSEMBLY,U	4775JJ2003B
103B	HANDLE,BACK	3650JJ2003A	281C	HINGE ASSEMBLY,L	4775JJ2008A
103C	COVER ASSEMBLY,LOWER	3551JJ1015B	282B	HINGE ASSEMBLY,C	4775JJ8002A
103E	RAIL,SLIDE	5218JJ3001A	282E	CAP,HINGE	5006JJ2001A
103E	RAIL,SLIDE	5218JJ3001A	282F	DECO,DUCT	3806JL2006E
103E	RAIL,SLIDE	5218JJ3001A	282H	CAP,HINGE	5006JJ3004A
103E	RAIL,SLIDE	5218JJ3001A	283B	HINGE,L	4774JJ3001A
105A	DRAIN ASSEMBLY,PIPE-Z	5251JA3003B	284D	SCREW,DRAWING	1STZJA3004K
105F	SKIRT,LOWER	5070JJ3002A	285A	GUIDE ASSEMBLY,RAIL	4975JJ2007G
106A	LEG ASSEMBLY,ADJUST	4779JJ2001A	286A	BUSH	4984JJ3003A
106B	WASHER,DRAWING	4J00382C	286A	BUSH	4984JJ3003A
120B	DUCT ASSEMBLY,MULTI	5209JJ1002A	301A	EVAPORATOR ASSEMBLY	5421JJ1001B
125A	TRAY ASSEMBLY,ICE	3391JJ1009B	304A	COVER ASSEMBLY,BACK-M/C	3551JJ2008B
125D	HOLDER,BRACKET	4930JJ3007A	305B	ROLLER	4580JJ3001A
128A	GUIDE ASSEMBLY,RAIL	4975JJ2002A	305B	ROLLER	4580JJ3001A
128B	GUIDE ASSEMBLY,RAIL	4975JJ2002B	305C	PIN,DRAWING	4J04238A
131A	BANK ASSEMBLY,ICE	5075JJ1001B	305C	PIN,DRAWING	4J04238A
135C	COVER,GRILLE FAN	3550JJ2030A	307A	COMPRESSOR,SET ASSEMBLY	2521C-A5725
136A	TRAY ASSEMBLY,DRAWER	3391JJ1011B	308A	P.T.C ASSEMBLY	6748C-0004D
136B	TRAY,DRAWER	3390JJ1087A	309A	O.L.P	6750CR0004S
136F	TRAY ASSEMBLY,DRAWER	3391JJ1033B	310A	COVER,P.T.C	3550JA2042A
140B	SHELF ASSEMBLY,R	5027JJ2007B	312A	RUBBER,SEAT	5040JA3031A
140B	SHELF ASSEMBLY,R	5027JJ2007B	314A	STOPPER,COMP	4620JA3009A
140D	SHELF,NET	5026JJ2001G	315A	COMP BASE ASSEMBLY,STD	3103JJ1001J
140E	SHELF,NET	5026JJ2001H	317A	DRIER ASSEMBLY	5851JJ2002B
142D	SHELF,NET	5026JJ2001L	318A	HOLDER,DRIER	4930JJ3002A
142E	SHELF,NET	5026JJ2001M	319A	TRAY,DRIP	3390JJ0003A
143E	SHELF ASSEMBLY,R	5027JJ1008B	319C	GUIDE,FAN	4974JJ1009A
143F	SHELF ASSEMBLY,R	5027JJ1008D	323B	CONDENSER ASSEMBLY,WIRE	5403JJ1007A
145A	HOLDER,SHELF	4930JJ2003A	327A	CAP,DRAIN PIPE	5006JA3034A
145B	HOLDER,SHELF	4930JJ2004A	328A	RUBBER,DAMPING	4J03020A
145D	GUIDE,RAIL	4974JJ1012A	328B	RUBBER,DAMPING	4J04328A
145G	GUIDE ASSEMBLY,RAIL	4975JJ2005H	328B	RUBBER,DAMPING	4J04328A
146D	CAN,SERVER	5044JJ1001A	329A	FAN ASSEMBLY	5901JJ1005A
147A	BANK,DAIRY	5074JJ1005A	329C	FAN ASSEMBLY	5901JJ1004B
151A	TRAY ASSEMBLY,VEGETABLE	3391JJ1019E	332A	GRILLE ASSEMBLY,FAN	3531JJ1004A
151C	KNOB,SHUTTER	4940JJ2003B	401A	CONTROLLER ASSEMBLY(CIRC)	6615JB2005C
154A	COVER,T/V	3550JJ1033A	404A	MOTOR ASSEMBLY,REF FAN	4680JK1002B
155B	SUPPORTER ASSEMBLY,COVER-T/V	4981JJ2001A	405A	BRACKET ASSEMBLY,MOTOR	4811JJ2002B
158A	COVER,LAMP	3550JJ1040A	405B	BRACKET,MOTOR	4810JA3007A
158E	COVER,LAMP	3550JJ1051A	405C	RUBBER,MOTOR-F	J756-00008B
160B	DECO,TRAY	3806JL2005D	406B	SWITCH,[PUSH]	6600JB1004A
161A	COVER,TRAY	3550JJ2026A	409B	LAMP,[INCANDESCENT]	6912JK2002C
167B	GLASS,SHELF	4890JL1002K	409D	REFLECTOR,LAMP	3034JJ1002B
170A	TRAY ASSEMBLY,MEAT	3391JJ2004H	410A	SOCKET ASSEMBLY,LAMP	6621JK2002D
200A	DOOR ASSEMBLY,F	3581JJ8019V	410G	CAPACITOR,DRAWING	0CZZJB2003H
201A	DOOR FOAM ASSEMBLY,F	5433JJ0058H	411A	POWER CORD ASSEMBLY	6411JK1006A
203A	GASKET ASSEMBLY,DOOR	4987JJ1004A	418A	HEATER,SHEATH	5300JB1100J
205D	BASKET,DOOR	5004JJ1040A	420A	MOTOR(MECH),COOLING	4680JK1001B
212A	HANDLE,F	3650JJ1035B	501A	PWB(PCB) ASSEMBLY,MAIN	6871JB1215A
212G	MARK	3846JD1007B	501F	COVER,PWB	3550JJ1042B
230A	DOOR ASSEMBLY,R	3581JJ8024B	503C	PWB(PCB) ASSEMBLY,DISPLAY	6871JB2047A
231A	DOOR FOAM ASSEMBLY,R	5433JJ0019B	503D	CASE,DISPLAY	3110JJ1005A
233A	GASKET ASSEMBLY,DOOR	4987JJ1004B	503E	COVER,DISPLAY	3550JJ2031A
237A	GUIDE,BOTTLE	4974JJ2012A	503G	DECO,CONTROL	3806JL1009A
237C	GUIDE,DRAWER	4974JJ1021A	602A	HOLDER,BRACKET	4930JA3037A
241A	COVER,TRAY	3550JL2003H	610A	COVER,SENSOR	3550JJ2020A
241B	BASKET,DOOR	5004JJ1021A	619B	COVER,VALVE	3550JJ2024A
241C	BASKET ASSEMBLY,DOOR	5005JJ2017A	621A	CONNECTOR (MECH),DOOR	4932JJ2001B
241D	BASKET ASSEMBLY,DOOR	5005JJ2020A	625A	COVER,TUBE	3550JJ2036A
241E	BASKET ASSEMBLY,DOOR	5005JJ2018A	700B	HANDLE ASSEMBLY,F	3651JJ2010H
243A	STOPPER,DOOR	4620JJ3006A	700C	HANDLE ASSEMBLY,R	3651JJ2017B
244A	HANDLE,R	3650JJ1034K	903A	COVER,LOWER	3550JJ0006A
244B	HOLDER,HANDLE	4930JJ2023B	903B	HOLDER,COVER LOWER	4930JJ2021A
244C	HOLDER,HANDLE	4930JJ2022B	903D	SENSOR	6500JK1003A
244J	STOPPER,HANDLE	4620JJ3007A	903E	SENSOR	6500JK1004A
245A	HOLDER,HANDLE	4930JJ2019A	B01	SCREW,DRAWING	1STZJA3004F
245B	HOLDER,HANDLE	4930JJ2020A	S01	SCREW,DRAWING	1SZZJJ3010A
248E	DECO,TRAY	3806JJ2035A	S03	SCREW,DRAWING	1SZZJJ3018A
248F	SUPPORTER,HOLDER	4980JJ2005A	S07	SCREW,DRAWING	4000W4A003A
248N	RAIL ASSEMBLY,SLIDE	5219JJ2002A	S22	SCREW,DRAWING	3J05696C
248P	RAIL ASSEMBLY,SLIDE	5219JJ2002B	S24	SCREW,DRAWING	1SZZJA3011B
249G	GUIDE,RAIL	4974JJ1011A	S28	SCREW,DRAWING	3J05696W
281A	COVER,HINGE	3550JJ2013A	S38	SCREW,DRAWING	4J00415D

LOC	DESCRIPTION	PART NO.	LOC	DESCRIPTION	PART NO.
103A	HANDLE,BACK	3650JJ2003M	282B	HINGE ASSEMBLY,C	4775JJ8002C
103B	HANDLE,BACK	3650JJ2003L	282E	CAP,HINGE	5006JJ2001F
103C	COVER ASSEMBLY,LOWER	3551JJ1015F	282F	DECO,DUCT	3806JL2006E
103E	RAIL,SLIDE	5218JJ3001A	282H	CAP,HINGE	5006JJ3004E
103E	RAIL,SLIDE	5218JJ3001A	283B	HINGE,L	4774JJ3001A
103E	RAIL,SLIDE	5218JJ3001A	284D	SCREW,DRAWING	1STZJA3004K
103E	RAIL,SLIDE	5218JJ3001A	285A	GUIDE ASSEMBLY,RAIL	4975JJ2007G
105A	DRAIN ASSEMBLY,PIPE-Z	5251JA3003B	286A	BUSH	4984JJ3003A
105F	SKIRT,LOWER	5070JJ3002A	286A	BUSH	4984JJ3003A
106A	LEG ASSEMBLY,ADJUST	4779JJ2001A	301A	EVAPORATOR ASSEMBLY	5421JJ1001B
106B	WASHER,DRAWING	4J00382C	304A	COVER ASSEMBLY,BACK-M/C	3551JJ2008B
120B	DUCT ASSEMBLY,MULTI	5209JJ1002A	305B	ROLLER	4580JJ3001A
125A	TRAY ASSEMBLY,ICE	3391JJ1009B	305B	ROLLER	4580JJ3001A
125D	HOLDER,BRACKET	4930JJ3007A	305C	PIN,DRAWING	4J04238A
128A	GUIDE ASSEMBLY,RAIL	4975JJ2002A	305C	PIN,DRAWING	4J04238A
128B	GUIDE ASSEMBLY,RAIL	4975JJ2002B	307A	COMPRESSOR,SET ASSEMBLY	2521C-A5725
131A	BANK ASSEMBLY,ICE	5075JJ1001B	308A	P.T.C ASSEMBLY	6748C-0004D
135C	COVER,GRILLE FAN	3550JJ2030A	309A	O.L.P	6750CR0004S
136A	TRAY ASSEMBLY,DRAWER	3391JJ1011B	310A	COVER,P.T.C	3550JA2042A
136B	TRAY,DRAWER	3390JJ1087A	312A	RUBBER,SEAT	5040JA3031A
136F	TRAY ASSEMBLY,DRAWER	3391JJ1033B	314A	STOPPER,COMP	4620JA3009A
140B	SHELF ASSEMBLY,R	5027JJ2007B	315A	COMP BASE ASSEMBLY,STD	3103JJ1001J
140B	SHELF ASSEMBLY,R	5027JJ2007B	317A	DRIER ASSEMBLY	5851JJ2002B
140D	SHELF,NET	5026JJ2001G	318A	HOLDER,DRIER	4930JJ3002A
140E	SHELF,NET	5026JJ2001H	319A	TRAY,DRIP	3390JJ0003A
142D	SHELF,NET	5026JJ2001L	319C	GUIDE,FAN	4974JJ1009A
142E	SHELF,NET	5026JJ2001M	323B	CONDENSER ASSEMBLY,WIRE	5403JJ1007A
143E	SHELF ASSEMBLY,R	5027JJ1008B	327A	CAP,DRAIN PIPE	5006JA3034A
143F	SHELF ASSEMBLY,R	5027JJ1008D	328A	RUBBER,DAMPING	4J03020A
145A	HOLDER,SHELF	4930JJ2003A	328B	RUBBER,DAMPING	4J04328A
145B	HOLDER,SHELF	4930JJ2004A	328B	RUBBER,DAMPING	4J04328A
145D	GUIDE,RAIL	4974JJ1012A	329A	FAN ASSEMBLY	5901JJ1005A
145G	GUIDE ASSEMBLY,RAIL	4975JJ2005H	329C	FAN ASSEMBLY	5901JJ1004B
146D	CAN,SERVER	5044JJ1001A	332A	GRILLE ASSEMBLY,FAN	3531JJ1004A
147A	BANK,DAIRY	5074JJ1005A	401A	CONTROLLER ASSEMBLY(CIRC)	6615JB2005C
151A	TRAY ASSEMBLY,VEGETABLE	3391JJ1019E	404A	MOTOR ASSEMBLY,REF FAN	4680JK1002B
151C	KNOB,SHUTTER	4940JJ2003B	405A	BRACKET ASSEMBLY,MOTOR	4811JJ2002B
154A	COVER,T/V	3550JJ1033A	405B	BRACKET,MOTOR	4810JA3007A
155B	SUPPORTER ASSEMBLY,COVER-T/V	4981JJ2001A	405C	RUBBER,MOTOR-F	J756-00008B
158A	COVER,LAMP	3550JJ1040A	406B	SWITCH,[PUSH]	6600JB1004A
158E	COVER,LAMP	3550JJ1051A	409B	LAMP,[INCANDESCENT]	6912JK2002C
160B	DECO,TRAY	3806JL2005D	409D	REFLECTOR,LAMP	3034JJ1002B
161A	COVER,TRAY	3550JJ2026A	410A	SOCKET ASSEMBLY,LAMP	6621JK2002D
167B	GLASS,SHELF	4890JL1002K	410G	CAPACITOR,DRAWING	0CZZJB2003H
170A	TRAY ASSEMBLY,MEAT	3391JJ2004H	411A	POWER CORD ASSEMBLY	6411JK1006A
200A	DOOR ASSEMBLY,F	3581JJ8019U	418A	HEATER,SHEATH	5300JB1100J
201A	DOOR FOAM ASSEMBLY,F	5433JJ0058L	420A	MOTOR(MECH),COOLING	4680JK1001B
203A	GASKET ASSEMBLY,DOOR	4987JJ1004E	501A	PWB(PCB) ASSEMBLY,MAIN	6871JB1215A
205D	BASKET,DOOR	5004JJ1040A	501F	COVER,PWB	3550JJ1042B
212A	HANDLE,F	3650JJ1035A	503C	PWB(PCB) ASSEMBLY,DISPLAY	6871JB2047A
212G	MARK	3846JD1007B	503D	CASE,DISPLAY	3110JJ1005A
230A	DOOR ASSEMBLY,R	3581JJ8024H	503E	COVER,DISPLAY	3550JJ2031A
231A	DOOR FOAM ASSEMBLY,R	5433JJ0019T	503G	DECO,CONTROL	3806JL1009A
233A	GASKET ASSEMBLY,DOOR	4987JJ1004F	602A	HOLDER,BRACKET	4930JA3037A
237A	GUIDE,BOTTLE	4974JJ2012A	610A	COVER,SENSOR	3550JJ2020A
237C	GUIDE,DRAWER	4974JJ1021A	619B	COVER,VALVE	3550JJ2024A
241A	COVER,TRAY	3550JL2003H	621A	CONNECTOR (MECH),DOOR	4932JJ2001B
241B	BASKET,DOOR	5004JJ1021A	625A	COVER,TUBE	3550JJ2036A
241C	BASKET ASSEMBLY,DOOR	5005JJ2017A	700B	HANDLE ASSEMBLY,F	3651JJ2010G
241D	BASKET ASSEMBLY,DOOR	5005JJ2020A	700C	HANDLE ASSEMBLY,R	3651JJ2017A
241E	BASKET ASSEMBLY,DOOR	5005JJ2018A	903A	COVER,LOWER	3550JJ0006C
243A	STOPPER,DOOR	4620JJ3006C	903B	HOLDER,COVER LOWER	4930JJ2021A
244A	HANDLE,R	3650JJ1034E	903D	SENSOR	6500JK1003A
244B	HOLDER,HANDLE	4930JJ2023A	903E	SENSOR	6500JK1004A
244C	HOLDER,HANDLE	4930JJ2022A	B01	SCREW,DRAWING	1STZJA3004F
244J	STOPPER,HANDLE	4620JJ3007A	S01	SCREW,DRAWING	1SZZJJ3010A
245A	HOLDER,HANDLE	4930JJ2019B	S03	SCREW,DRAWING	1SZZJJ3018A
245B	HOLDER,HANDLE	4930JJ2020B	S07	SCREW,DRAWING	4000W4A003A
248E	DECO,TRAY	3806JJ2035A	S22	SCREW,DRAWING	3J05696C
248F	SUPPORTER,HOLDER	4980JJ2005A	S24	SCREW,DRAWING	1SZZJA3011B
248N	RAIL ASSEMBLY,SLIDE	5219JJ2002A	S24	SCREW,DRAWING	1SZZJA3011B
248P	RAIL ASSEMBLY,SLIDE	5219JJ2002B	S24	SCREW,DRAWING	1SZZJA3011B
249G	GUIDE,RAIL	4974JJ1011A	S24	SCREW,DRAWING	1SZZJA3011B
281A	COVER,HINGE	3550JJ2013C	S28	SCREW,DRAWING	3J05696W
281B	HINGE ASSEMBLY,U	4775JJ2003B	S38	SCREW,DRAWING	4J00415D
281C	HINGE ASSEMBLY,L	4775JJ2008A			

LOC	DESCRIPTION	PART NO.	LOC	DESCRIPTION	PART NO.
103A	HANDLE,BACK	3650JJ2003M	281A	COVER,HINGE	3550JJ2013C
103B	HANDLE,BACK	3650JJ2003L	281B	HINGE ASSEMBLY,U	4775JJ2003B
103C	COVER ASSEMBLY,LOWER	3551JJ1015E	281C	HINGE ASSEMBLY,L	4775JJ2008A
103E	RAIL,SLIDE	5218JJ3001A	282B	HINGE ASSEMBLY,C	4775JJ8002C
103E	RAIL,SLIDE	5218JJ3001A	282E	CAP,HINGE	5006JJ2001F
103E	RAIL,SLIDE	5218JJ3001A	282F	DECO,DUCT	3806JL2006E
103E	RAIL,SLIDE	5218JJ3001A	282H	CAP,HINGE	5006JJ3004E
105A	DRAIN ASSEMBLY,PIPE-Z	5251JJ2003A	283B	HINGE,L	4774JJ3001A
105F	SKIRT,LOWER	5070JJ3002A	284D	SCREW,DRAWING	1STZJA3004K
106A	LEG ASSEMBLY,ADJUST	4779JJ2001A	285A	GUIDE ASSEMBLY,RAIL	4975JJ2007G
106B	WASHER,DRAWING	4J00382C	286A	BUSH	4984JJ3003A
120B	DUCT ASSEMBLY,MULTI	5209JJ1002A	286A	BUSH	4984JJ3003A
125A	TRAY ASSEMBLY,ICE	3391JJ1009B	301A	EVAPORATOR ASSEMBLY	5421JJ1001A
125D	HOLDER,BRACKET	4930JJ3007A	304A	COVER ASSEMBLY,BACK-M/C	3551JJ2008A
128A	GUIDE ASSEMBLY,RAIL	4975JJ2002A	305B	ROLLER	4580JJ3001A
128B	GUIDE ASSEMBLY,RAIL	4975JJ2002B	305B	ROLLER	4580JJ3001A
131A	BANK ASSEMBLY,ICE	5075JJ1001B	305C	PIN,DRAWING	4J04238A
135C	COVER,GRILLE FAN	3550JJ2030A	305C	PIN,DRAWING	4J04238A
136A	TRAY ASSEMBLY,DRAWER	3391JJ1011A	307A	COMPRESSOR,SET ASSEMBLY	2521JJ8004A
136B	TRAY,DRAWER	3390JJ1088A	308A	P.T.C ASSEMBLY	6748JJ8002A
136F	TRAY ASSEMBLY,DRAWER	3391JJ1033A	309A	O.L.P	6750JJ8002A
140B	SHELF ASSEMBLY,R	5027JJ2007A	310A	COVER,P.T.C	3550JJ8003A
140B	SHELF ASSEMBLY,R	5027JJ2007A	312A	RUBBER,SEAT	5040JA3031A
140D	SHELF,NET	5026JJ2001G	314A	STOPPER,COMP	4620JA3009A
140E	SHELF,NET	5026JJ2001H	315A	COMP BASE ASSEMBLY,STD	3103JJ1001K
142D	SHELF,NET	5026JJ2001L	317A	DRIER ASSEMBLY	5851JJ2002B
142E	SHELF,NET	5026JJ2001M	318A	HOLDER,DRIER	4930JJ3002A
143E	SHELF ASSEMBLY,R	5027JJ1008A	319A	TRAY,DRIP	3390JJ0003A
143F	SHELF ASSEMBLY,R	5027JJ1008C	319C	GUIDE,FAN	4974JJ1009A
145A	HOLDER,SHELF	4930JJ2003A	323B	CONDENSER ASSEMBLY,WIRE	5403JJ1005A
145B	HOLDER,SHELF	4930JJ2004A	328A	RUBBER,DAMPING	4J03020A
145D	GUIDE,RAIL	4974JJ1012A	328B	RUBBER,DAMPING	4J04328A
145G	GUIDE ASSEMBLY,RAIL	4975JJ2005H	329A	FAN ASSEMBLY	5901JJ1005A
146D	CAN,SERVER	5044JJ1002A	329C	FAN ASSEMBLY	5901JJ1004B
147A	BANK,DAIRY	5074JJ1005A	332A	GRILLE ASSEMBLY,FAN	3531JJ1004B
151A	TRAY ASSEMBLY,VEGETABLE	3391JJ1020D	401A	CONTROLLER ASSEMBLY(CIRC)	6615JB2005C
151C	KNOB,SHUTTER	4940JJ2003B	404A	MOTOR ASSEMBLY,REF FAN	4680JK1002B
154A	COVER,T/V	3550JL1006D	405A	BRACKET ASSEMBLY,MOTOR	4811JJ2002B
155B	SUPPORTER ASSEMBLY,COVER-T/V	4981JJ2001B	405B	BRACKET,MOTOR	4810JA3007A
158A	COVER,LAMP	3550JJ1040A	405C	RUBBER,MOTOR-F	J756-00008B
158E	COVER,LAMP	3550JJ1051A	406B	SWITCH,[PUSH]	6600JB1004A
167B	GLASS,SHELF	4890JL1002G	409B	LAMP,[INCANDESCENT]	6912JK2002C
170A	TRAY ASSEMBLY,MEAT	3391JJ2004G	409D	REFLECTOR,LAMP	3034JJ1002B
200A	DOOR ASSEMBLY,F	3581JJ8054A	410A	SOCKET ASSEMBLY,LAMP	6621JK2002D
201A	DOOR FOAM ASSEMBLY,F	5433JJ0059G	410G	CAPACITOR,DRAWING	0CZZJB2003H
203A	GASKET ASSEMBLY,DOOR	4987JJ1004G	411A	POWER CORD ASSEMBLY	6411JK1006A
205A	BASKET,DOOR	5004JJ1042A	418A	HEATER,SHEATH	5300JB1100D
205B	BASKET,TILT	5004JJ2005B	420A	MOTOR(MECH),COOLING	4680JK1001B
205C	BASKET,TILT	5004JJ2005A	501A	PWB(PCB) ASSEMBLY,MAIN	6871JB1215A
212A	HANDLE,F	3650JJ1035A	501F	COVER,PWB	3550JJ1042B
212G	MARK	3846JD1007B	503C	PWB(PCB) ASSEMBLY,DISPLAY	6871JB2047A
230A	DOOR ASSEMBLY,R	3581JJ8027C	503D	CASE,DISPLAY	3110JJ1005A
231A	DOOR FOAM ASSEMBLY,R	5433JJ0016E	503E	COVER,DISPLAY	3550JJ2031A
233A	GASKET ASSEMBLY,DOOR	4987JJ1004H	503G	DECO,CONTROL	3806JL1009A
237A	GUIDE,BOTTLE	4974JJ2012A	602A	HOLDER,BRACKET	4930JA3037A
237C	GUIDE,DRAWER	4974JJ1021A	610A	COVER,SENSOR	3550JJ2020A
241A	COVER,TRAY	3550JL2003G	619B	COVER,VALVE	3550JJ2024A
241B	BASKET,DOOR	5004JJ1035A	621A	CONNECTOR (MECH),DOOR	4932JJ2001B
241C	BASKET ASSEMBLY,DOOR	5005JJ2017B	625A	COVER,TUBE	3550JJ2036A
241D	BASKET ASSEMBLY,DOOR	5005JJ2020B	700B	HANDLE ASSEMBLY,F	3651JJ2010G
241E	BASKET ASSEMBLY,DOOR	5005JJ2018B	700C	HANDLE ASSEMBLY,R	3651JJ2017D
243A	STOPPER,DOOR	4620JJ3006C	903A	COVER,LOWER	3550JJ0005C
244A	HANDLE,R	3650JJ1034D	903B	HOLDER,COVER LOWER	4930JJ2021A
244B	HOLDER,HANDLE	4930JJ2023A	903D	SENSOR	6500JK1003A
244C	HOLDER,HANDLE	4930JJ2022A	903E	SENSOR	6500JK1004A
244J	STOPPER,HANDLE	4620JJ3007A	B01	SCREW,DRAWING	1STZJA3004F
245A	HOLDER,HANDLE	4930JJ2019B	S01	SCREW,DRAWING	1SZZJJ3010A
245B	HOLDER,HANDLE	4930JJ2020B	S03	SCREW,DRAWING	1SZZJJ3018A
248E	DECO,TRAY	3806JJ2036A	S07	SCREW,DRAWING	4000W4A003A
248F	SUPPORTER,HOLDER	4980JJ2005B	S22	SCREW,DRAWING	3J05696C
248N	RAIL ASSEMBLY,SLIDE	5219JJ2002A	S24	SCREW,DRAWING	1SZZJA3011B
248P	RAIL ASSEMBLY,SLIDE	5219JJ2002B	S28	SCREW,DRAWING	3J05696W
249G	GUIDE,RAIL	4974JJ1011A	S38	SCREW,DRAWING	4J00415D

LOC	DESCRIPTION	PART NO.	LOC	DESCRIPTION	PART NO.
103A	HANDLE,BACK	3650JJ2003H	281C	HINGE ASSEMBLY,L	4775JJ2008A
103B	HANDLE,BACK	3650JJ2003D	282B	HINGE ASSEMBLY,C	4775JJ8002G
103C	COVER ASSEMBLY,LOWER	3551JJ1015G	282E	CAP,HINGE	5006JJ2001G
103E	RAIL,SLIDE	5218JJ3001A	282F	DECO,DUCT	3806JL2006E
103E	RAIL,SLIDE	5218JJ3001A	282H	CAP,HINGE	5006JJ3004F
103E	RAIL,SLIDE	5218JJ3001A	283B	HINGE,L	4774JJ3001A
103E	RAIL,SLIDE	5218JJ3001A	284D	SCREW,DRAWING	1STZJA3004K
105A	DRAIN ASSEMBLY,PIPE-Z	5251JJ2003A	285A	GUIDE ASSEMBLY,RAIL	4975JJ2007G
105F	SKIRT,LOWER	5070JJ3002A	286A	BUSH	4984JJ3003A
106A	LEG ASSEMBLY,ADJUST	4779JJ2001A	286A	BUSH	4984JJ3003A
106B	WASHER,DRAWING	4J00382C	301A	EVAPORATOR ASSEMBLY	5421JJ1001A
120B	DUCT ASSEMBLY,MULTI	5209JJ1002A	304A	COVER ASSEMBLY,BACK-M/C	3551JJ2008A
125A	TRAY ASSEMBLY,ICE	3391JJ1009B	305B	ROLLER	4580JJ3001A
125D	HOLDER,BRACKET	4930JJ3007A	305B	ROLLER	4580JJ3001A
128A	GUIDE ASSEMBLY,RAIL	4975JJ2002A	305C	PIN,DRAWING	4J04238A
128B	GUIDE ASSEMBLY,RAIL	4975JJ2002B	305C	PIN,DRAWING	4J04238A
131A	BANK ASSEMBLY,ICE	5075JJ1001B	307A	COMPRESSOR,SET ASSEMBLY	2521JJ8004A
135C	COVER,GRILLE FAN	3550JJ2030A	308A	P.T.C ASSEMBLY	6748JJ8002A
136A	TRAY ASSEMBLY,DRAWER	3391JJ1011A	309A	O.L.P	6750JJ8002A
136B	TRAY,DRAWER	3390JJ1088A	310A	COVER,P.T.C	3550JJ8003A
136F	TRAY ASSEMBLY,DRAWER	3391JJ1033A	312A	RUBBER,SEAT	5040JA3031A
140B	SHELF ASSEMBLY,R	5027JJ2007A	314A	STOPPER,COMP	4620JA3009A
140B	SHELF ASSEMBLY,R	5027JJ2007A	315A	COMP BASE ASSEMBLY,STD	3103JJ1001K
140D	SHELF,NET	5026JJ2001G	317A	DRIER ASSEMBLY	5851JJ2002B
140E	SHELF,NET	5026JJ2001H	318A	HOLDER,DRIER	4930JJ3002A
142D	SHELF,NET	5026JJ2001L	319A	TRAY,DRIP	3390JJ0003A
142E	SHELF,NET	5026JJ2001M	319C	GUIDE,FAN	4974JJ1009A
143E	SHELF ASSEMBLY,R	5027JJ1008A	323B	CONDENSER ASSEMBLY,WIRE	5403JJ1005A
143F	SHELF ASSEMBLY,R	5027JJ1008C	328A	RUBBER,DAMPING	4J03020A
145A	HOLDER,SHELF	4930JJ2003A	328B	RUBBER,DAMPING	4J04328A
145B	HOLDER,SHELF	4930JJ2004A	329A	FAN ASSEMBLY	5901JJ1005A
145D	GUIDE,RAIL	4974JJ1012A	329C	FAN ASSEMBLY	5901JJ1004B
145G	GUIDE ASSEMBLY,RAIL	4975JJ2005H	332A	GRILLE ASSEMBLY,FAN	3531JJ1004B
146D	CAN,SERVER	5044JJ1002A	401A	CONTROLLER ASSEMBLY(CIRC)	6615JB2005C
147A	BANK,DAIRY	5074JJ1005A	404A	MOTOR ASSEMBLY,REF FAN	4680JK1002B
151A	TRAY ASSEMBLY,VEGETABLE	3391JJ1020D	405A	BRACKET ASSEMBLY,MOTOR	4811JJ2002B
151C	KNOB,SHUTTER	4940JJ2003B	405B	BRACKET,MOTOR	4810JA3007A
154A	COVER,T/V	3550JL1006D	405C	RUBBER,MOTOR-F	J756-00008B
155B	SUPPORTER ASSEMBLY,COVER-T/V	4981JJ2001B	406B	SWITCH,[PUSH]	6600JB1004A
158A	COVER,LAMP	3550JJ1040A	409B	LAMP,[INCANDESCENT]	6912JK2002C
158E	COVER,LAMP	3550JJ1051A	409D	REFLECTOR,LAMP	3034JJ1002B
167B	GLASS,SHELF	4890JL1002G	410A	SOCKET ASSEMBLY,LAMP	6621JK2002D
170A	TRAY ASSEMBLY,MEAT	3391JJ2004G	410G	CAPACITOR,DRAWING	0CZ2JB2003H
200A	DOOR ASSEMBLY,F	3581JJ8054C	411A	POWER CORD ASSEMBLY	6411JK1006A
201A	DOOR FOAM ASSEMBLY,F	5433JJ0059J	418A	HEATER,SHEATH	5300JB1100D
203A	GASKET ASSEMBLY,DOOR	4987JJ1004C	420A	MOTOR(MECH),COOLING	4680JK1001B
205A	BASKET,DOOR	5004JJ1042A	501A	PWB(PCB) ASSEMBLY,MAIN	6871JB1215A
205B	BASKET,TILT	5004JJ2005B	501F	COVER,PWB	3550JJ1042B
205C	BASKET,TILT	5004JJ2005A	503C	PWB(PCB) ASSEMBLY,DISPLAY	6871JB2047A
212A	HANDLE,F	3650JJ1035A	503D	CASE,DISPLAY	3110JJ1005A
212G	MARK	3846JD1007B	503E	COVER,DISPLAY	3550JJ2031A
230A	DOOR ASSEMBLY,R	3581JJ8027U	503G	DECO,CONTROL	3806JL1009A
231A	DOOR FOAM ASSEMBLY,R	5433JJ0016M	602A	HOLDER,BRACKET	4930JA3037A
233A	GASKET ASSEMBLY,DOOR	4987JJ1004D	610A	COVER,SENSOR	3550JJ2020A
237A	GUIDE,BOTTLE	4974JJ2012A	619B	COVER,VALVE	3550JJ2024A
237C	GUIDE,DRAWER	4974JJ1021A	621A	CONNECTOR (MECH),DOOR	4932JJ2001B
241A	COVER,TRAY	3550JL2003G	625A	COVER,TUBE	3550JJ2036A
241B	BASKET,DOOR	5004JJ1035A	700B	HANDLE ASSEMBLY,F	3651JJ2010G
241C	BASKET ASSEMBLY,DOOR	5005JJ2017B	700C	HANDLE ASSEMBLY,R	3651JJ2017D
241D	BASKET ASSEMBLY,DOOR	5005JJ2020B	903A	COVER,LOWER	3550JJ0005D
241E	BASKET ASSEMBLY,DOOR	5005JJ2018B	903B	HOLDER,COVER LOWER	4930JJ2021A
243A	STOPPER,DOOR	4620JJ3006D	903D	SENSOR	6500JK1003A
244A	HANDLE,R	3650JJ1034D	903E	SENSOR	6500JK1004A
244B	HOLDER,HANDLE	4930JJ2023A	B01	SCREW,DRAWING	1STZJA3004F
244C	HOLDER,HANDLE	4930JJ2022A	S01	SCREW,DRAWING	1SZZJJ3010A
244J	STOPPER,HANDLE	4620JJ3007A	S03	SCREW,DRAWING	1SZZJJ3018A
245A	HOLDER,HANDLE	4930JJ2019B	S07	SCREW,DRAWING	4000W4A003A
245B	HOLDER,HANDLE	4930JJ2020B	S22	SCREW,DRAWING	3J05696C
248E	DECO,TRAY	3806JJ2036A	S24	SCREW,DRAWING	1SZZJA3011B
248F	SUPPORTER,HOLDER	4980JJ2005B	S24	SCREW,DRAWING	1SZZJA3011B
248N	RAIL ASSEMBLY,SLIDE	5219JJ2002A	S24	SCREW,DRAWING	1SZZJA3011B
248P	RAIL ASSEMBLY,SLIDE	5219JJ2002B	S24	SCREW,DRAWING	1SZZJA3011B
249G	GUIDE,RAIL	4974JJ1011A	S28	SCREW,DRAWING	3J05696W
281A	COVER,HINGE	3550JJ2013D	S38	SCREW,DRAWING	4J00415D
281B	HINGE ASSEMBLY,U	4775JJ2003B			

LOC	DESCRIPTION	PART NO.	LOC	DESCRIPTION	PART NO.
103A	HANDLE,BACK	3650JJ2003E	281C	HINGE ASSEMBLY,L	4775JJ2008A
103B	HANDLE,BACK	3650JJ2003A	282B	HINGE ASSEMBLY,C	4775JJ8002A
103C	COVER ASSEMBLY,LOWER	3551JJ1015A	282E	CAP,HINGE	5006JJ2001A
103E	RAIL,SLIDE	5218JJ3001A	282F	DECO,DUCT	3806JL2006E
103E	RAIL,SLIDE	5218JJ3001A	282H	CAP,HINGE	5006JJ3004A
103E	RAIL,SLIDE	5218JJ3001A	283B	HINGE,L	4774JJ3001A
103E	RAIL,SLIDE	5218JJ3001A	284D	SCREW,DRAWING	1STZJA3004K
105A	DRAIN ASSEMBLY,PIPE-Z	5251JJ2003A	285A	GUIDE ASSEMBLY,RAIL	4975JJ2007G
105F	SKIRT,LOWER	5070JJ3002A	286A	BUSH	4984JJ3003A
106A	LEG ASSEMBLY,ADJUST	4779JJ2001A	286A	BUSH	4984JJ3003A
106B	WASHER,DRAWING	4J00382C	301A	EVAPORATOR ASSEMBLY	5421JJ1001A
120B	DUCT ASSEMBLY,MULTI	5209JJ1002A	304A	COVER ASSEMBLY,BACK-M/C	3551JJ2008A
125A	TRAY ASSEMBLY,ICE	3391JJ1009B	305B	ROLLER	4580JJ3001A
125D	HOLDER,BRACKET	4930JJ3007A	305B	ROLLER	4580JJ3001A
128A	GUIDE ASSEMBLY,RAIL	4975JJ2002A	305C	PIN,DRAWING	4J04238A
128B	GUIDE ASSEMBLY,RAIL	4975JJ2002B	305C	PIN,DRAWING	4J04238A
131A	BANK ASSEMBLY,ICE	5075JJ1001B	307A	COMPRESSOR,SET ASSEMBLY	2521C-A5725
135C	COVER,GRILLE FAN	3550JJ2030A	308A	P.T.C ASSEMBLY	6748C-0004D
136A	TRAY ASSEMBLY,DRAWER	3391JJ1011A	309A	O.L.P	6750CR0004S
136B	TRAY,DRAWER	3390JJ1088A	310A	COVER,P.T.C	3550JA2042A
136F	TRAY ASSEMBLY,DRAWER	3391JJ1033A	312A	RUBBER,SEAT	5040JA3031A
140B	SHELF ASSEMBLY,R	5027JJ2007A	314A	STOPPER,COMP	4620JA3009A
140B	SHELF ASSEMBLY,R	5027JJ2007A	315A	COMP BASE ASSEMBLY,STD	3103JJ1001K
140D	SHELF,NET	5026JJ2001G	317A	DRIER ASSEMBLY	5851JJ2002B
140E	SHELF,NET	5026JJ2001H	318A	HOLDER,DRIER	4930JJ3002A
142D	SHELF,NET	5026JJ2001L	319A	TRAY,DRIP	3390JJ0003A
142E	SHELF,NET	5026JJ2001M	319C	GUIDE,FAN	4974JJ1009A
143E	SHELF ASSEMBLY,R	5027JJ1008A	323B	CONDENSER ASSEMBLY,WIRE	5403JJ1005A
143F	SHELF ASSEMBLY,R	5027JJ1008C	328A	RUBBER,DAMPING	4J03020A
145A	HOLDER,SHELF	4930JJ2003A	328B	RUBBER,DAMPING	4J04328A
145B	HOLDER,SHELF	4930JJ2004A	328B	RUBBER,DAMPING	4J04328A
145D	GUIDE,RAIL	4974JJ1012A	329A	FAN ASSEMBLY	5901JJ1005A
145G	GUIDE ASSEMBLY,RAIL	4975JJ2005H	329C	FAN ASSEMBLY	5901JJ1004B
146D	CAN,SERVER	5044JJ1002A	332A	GRILLE ASSEMBLY,FAN	3531JJ1004B
147A	BANK,DAIRY	5074JJ1005A	401A	CONTROLLER ASSEMBLY(CIRC)	6615JB2005C
151A	TRAY ASSEMBLY,VEGETABLE	3391JJ1020D	404A	MOTOR ASSEMBLY,REF FAN	4680JK1002B
151C	KNOB,SHUTTER	4940JJ2003B	405A	BRACKET ASSEMBLY,MOTOR	4811JJ2002B
154A	COVER,T/V	3550JL1006D	405B	BRACKET,MOTOR	4810JA3007A
155B	SUPPORTER ASSEMBLY,COVER-T/V	4981JJ2001B	405C	RUBBER,MOTOR-F	J756-00008B
158A	COVER,LAMP	3550JJ1040A	406B	SWITCH,[PUSH]	6600JB1004A
158E	COVER,LAMP	3550JJ1051A	409B	LAMP,[INCANDESCENT]	6912JK2002C
167B	GLASS,SHELF	4890JL1002G	409D	REFLECTOR,LAMP	3034JJ1002B
170A	TRAY ASSEMBLY,MEAT	3391JJ2004G	410A	SOCKET ASSEMBLY,LAMP	6621JK2002D
200A	DOOR ASSEMBLY,F	3581JJ8049A	410G	CAPACITOR,DRAWING	0CZZJB2003H
201A	DOOR FOAM ASSEMBLY,F	5433JJ0059A	411A	POWER CORD ASSEMBLY	6411JK1006A
203A	GASKET ASSEMBLY,DOOR	4987JJ1004C	418A	HEATER,SHEATH	5300JB1100D
205A	BASKET,DOOR	5004JJ1042A	420A	MOTOR(MECH),COOLING	4680JK1001B
205B	BASKET,TILT	5004JJ2005B	501A	PWB(PCB) ASSEMBLY,MAIN	6871JB1215A
205C	BASKET,TILT	5004JJ2005A	501F	COVER,PWB	3550JJ1042B
212B	HANDLE,F	3650JJ0019A	503C	PWB(PCB) ASSEMBLY,DISPLAY	6871JB2047A
212F	BRACKET,HANDLE	4810JJ3015A	503D	CASE,DISPLAY	3110JJ1005A
212G	MARK	3846JD1007B	503E	COVER,DISPLAY	3550JJ2031A
212J	STOPPER,HANDLE	4620JJ3007A	503G	DECO,CONTROL	3806JL1009A
230A	DOOR ASSEMBLY,R	3581JJ8046B	602A	HOLDER,BRACKET	4930JA3037A
231A	DOOR FOAM ASSEMBLY,R	5433JJ0016N	610A	COVER,SENSOR	3550JJ2020A
233A	GASKET ASSEMBLY,DOOR	4987JJ1004D	619B	COVER,VALVE	3550JJ2024A
237A	GUIDE,BOTTLE	4974JJ2012A	621A	CONNECTOR (MECH),DOOR	4932JJ2001B
237C	GUIDE,DRAWER	4974JJ1021A	625A	COVER,TUBE	3550JJ2036A
241A	COVER,TRAY	3550JL2003G	700B	HANDLE ASSEMBLY,F	3651JJ2016D
241B	BASKET,DOOR	5004JJ1035A	700C	HANDLE ASSEMBLY,R	3651JJ2015D
241C	BASKET ASSEMBLY,DOOR	5005JJ2017B	903A	COVER,LOWER	3550JJ0005A
241D	BASKET ASSEMBLY,DOOR	5005JJ2020B	903B	HOLDER,COVER LOWER	4930JJ2021A
241E	BASKET ASSEMBLY,DOOR	5005JJ2018B	903D	SENSOR	6500JK1003A
243A	STOPPER,DOOR	4620JJ3006A	903E	SENSOR	6500JK1004A
244E	CAP,HANDLE	5006JJ3016A	B01	SCREW,DRAWING	1STZJA3004F
244F	BRACKET,HANDLE	4810JJ2011B	S01	SCREW,DRAWING	1SZZJJ3010A
244G	BRACKET,HANDLE	4810JJ2011A	S07	SCREW,DRAWING	4000W4A003A
244H	HANDLE,R	3650JJ0020A	S22	SCREW,DRAWING	3J05696C
248E	DECO,TRAY	3806JJ2036A	S24	SCREW,DRAWING	1SZZJA3011B
248F	SUPPORTER,HOLDER	4980JJ2005B	S24	SCREW,DRAWING	1SZZJA3011B
248N	RAIL ASSEMBLY,SLIDE	5219JJ2002A	S24	SCREW,DRAWING	1SZZJA3011B
248P	RAIL ASSEMBLY,SLIDE	5219JJ2002B	S24	SCREW,DRAWING	1SZZJA3011B
249G	GUIDE,RAIL	4974JJ1011A	S28	SCREW,DRAWING	3J05696W
281A	COVER,HINGE	3550JJ2013A	S38	SCREW,DRAWING	4J00415D
281B	HINGE ASSEMBLY,U	4775JJ2003B			

LOC	DESCRIPTION	PART NO.	LOC	DESCRIPTION	PART NO.
103A	HANDLE,BACK	3650JJ2003M	281B	HINGE ASSEMBLY,U	4775JJ2003B
103B	HANDLE,BACK	3650JJ2003L	281C	HINGE ASSEMBLY,L	4775JJ2008A
103C	COVER ASSEMBLY,LOWER	3551JJ1015E	282B	HINGE ASSEMBLY,C	4775JJ8002C
103E	RAIL,SLIDE	5218JJ3001A	282E	CAP,HINGE	5006JJ2001F
103E	RAIL,SLIDE	5218JJ3001A	282F	DECO,DUCT	3806JL2006E
103E	RAIL,SLIDE	5218JJ3001A	282H	CAP,HINGE	5006JJ3004E
103E	RAIL,SLIDE	5218JJ3001A	283B	HINGE,L	4774JJ3001A
105A	DRAIN ASSEMBLY,PIPE-Z	5251JJ2003A	284D	SCREW,DRAWING	1STZJA3004K
105F	SKIRT,LOWER	5070JJ3002A	285A	GUIDE ASSEMBLY,RAIL	4975JJ2007G
106A	LEG ASSEMBLY,ADJUST	4779JJ2001A	286A	BUSH	4984JJ3003A
106B	WASHER,DRAWING	4J00382C	301A	EVAPORATOR ASSEMBLY	5421JJ1001A
120B	DUCT ASSEMBLY,MULTI	5209JJ1002A	304A	COVER ASSEMBLY,BACK-M/C	3551JJ2008A
125A	TRAY ASSEMBLY,ICE	3391JJ1009B	305B	ROLLER	4580JJ3001A
125D	HOLDER,BRACKET	4930JJ3007A	305B	ROLLER	4580JJ3001A
128A	GUIDE ASSEMBLY,RAIL	4975JJ2002A	305C	PIN,DRAWING	4J04238A
128B	GUIDE ASSEMBLY,RAIL	4975JJ2002B	305C	PIN,DRAWING	4J04238A
131A	BANK ASSEMBLY,ICE	5075JJ1001B	307A	COMPRESSOR,SET ASSEMBLY	2521C-A5725
135C	COVER,GRILLE FAN	3550JJ2030A	308A	P.T.C ASSEMBLY	6748C-0004D
136A	TRAY ASSEMBLY,DRAWER	3391JJ1011A	309A	O.L.P	6750CRO004S
136B	TRAY,DRAWER	3390JJ1088A	310A	COVER,P.T.C	3550JA2042A
136F	TRAY ASSEMBLY,DRAWER	3391JJ1033A	312A	RUBBER,SEAT	5040JA3031A
140B	SHELF ASSEMBLY,R	5027JJ2007A	314A	STOPPER,COMP	4620JA3009A
140B	SHELF ASSEMBLY,R	5027JJ2007A	315A	COMP BASE ASSEMBLY,STD	3103JJ1001K
140D	SHELF,NET	5026JJ2001G	317A	DRIER ASSEMBLY	5851JJ2002B
140E	SHELF,NET	5026JJ2001H	318A	HOLDER,DRIER	4930JJ3002A
142D	SHELF,NET	5026JJ2001L	319A	TRAY,DRIP	3390JJ0003A
142E	SHELF,NET	5026JJ2001M	319C	GUIDE,FAN	4974JJ1009A
143E	SHELF ASSEMBLY,R	5027JJ1008A	323B	CONDENSER ASSEMBLY,WIRE	5403JJ1005A
143F	SHELF ASSEMBLY,R	5027JJ1008C	328A	RUBBER,DAMPING	4J03020A
145A	HOLDER,SHELF	4930JJ2003A	328B	RUBBER,DAMPING	4J04328A
145B	HOLDER,SHELF	4930JJ2004A	329A	FAN ASSEMBLY	5901JJ1005A
145D	GUIDE,RAIL	4974JJ1012A	329C	FAN ASSEMBLY	5901JJ1004B
145G	GUIDE ASSEMBLY,RAIL	4975JJ2005H	332A	GRILLE ASSEMBLY,FAN	3531JJ1004B
146D	CAN,SERVER	5044JJ1002A	401A	CONTROLLER ASSEMBLY(CIRC)	6615JB2005C
147A	BANK,DAIRY	5074JJ1005A	404A	MOTOR ASSEMBLY,REF FAN	4680JK1002B
151A	TRAY ASSEMBLY,VEGETABLE	3391JJ1020D	405A	BRACKET ASSEMBLY,MOTOR	4811JJ2002B
151C	KNOB,SHUTTER	4940JJ2003B	405B	BRACKET,MOTOR	4810JA3007A
154A	COVER,T/V	3550JL1006D	405C	RUBBER,MOTOR-F	J756-00008B
155B	SUPPORTER ASSEMBLY,COVER-T/V	4981JJ2001B	406B	SWITCH,[PUSH]	6600JB1004A
158A	COVER,LAMP	3550JJ1040A	409B	LAMP,[INCANDESCENT]	6912JK2002C
158E	COVER,LAMP	3550JJ1051A	409D	REFLECTOR,LAMP	3034JJ1002B
167B	GLASS,SHELF	4890JL1002G	410A	SOCKET ASSEMBLY,LAMP	6621JK2002D
170A	TRAY ASSEMBLY,MEAT	3391JJ2004G	410G	CAPACITOR,DRAWING	0CZZJB2003H
200A	DOOR ASSEMBLY,F	3581JJ8054B	411A	POWER CORD ASSEMBLY	6411JK1006A
201A	DOOR FOAM ASSEMBLY,F	5433JJ0059H	418A	HEATER,SHEATH	5300JB1100D
203A	GASKET ASSEMBLY,DOOR	4987JJ1004G	420A	MOTOR(MECH),COOLING	4680JK1001B
205A	BASKET,DOOR	5004JJ1042A	501A	PWB(PCB) ASSEMBLY,MAIN	6871JB1215A
205B	BASKET,TILT	5004JJ2005B	501F	COVER,PWB	3550JJ1042B
205C	BASKET,TILT	5004JJ2005A	503C	PWB(PCB) ASSEMBLY,DISPLAY	6871JB2047A
212A	HANDLE,F	3650JJ1035C	503D	CASE,DISPLAY	3110JJ1005A
212G	MARK	3846JD1007D	503E	COVER,DISPLAY	3550JJ2031A
230A	DOOR ASSEMBLY,R	3581JJ8027V	503G	DECO,CONTROL	3806JL1009A
231A	DOOR FOAM ASSEMBLY,R	5433JJ0016T	602A	HOLDER,BRACKET	4930JA3037A
233A	GASKET ASSEMBLY,DOOR	4987JJ1004H	610A	COVER,SENSOR	3550JJ2020A
237A	GUIDE,BOTTLE	4974JJ2012A	619B	COVER,VALVE	3550JJ2024A
237C	GUIDE,DRAWER	4974JJ1021A	621A	CONNECTOR (MECH),DOOR	4932JJ2001B
241A	COVER,TRAY	3550JL2003G	625A	COVER,TUBE	3550JJ2036A
241B	BASKET,DOOR	5004JJ1035A	700B	HANDLE ASSEMBLY,F	3651JJ2010J
241C	BASKET ASSEMBLY,DOOR	5005JJ2017B	700C	HANDLE ASSEMBLY,R	3651JJ2017F
241D	BASKET ASSEMBLY,DOOR	5005JJ2020B	903A	COVER,LOWER	3550JJ0005C
241E	BASKET ASSEMBLY,DOOR	5005JJ2018B	903B	HOLDER,COVER LOWER	4930JJ2021A
243A	STOPPER,DOOR	4620JJ3006C	903D	SENSOR	6500JK1003A
244A	HANDLE,R	3650JJ1034P	903E	SENSOR	6500JK1004A
244B	HOLDER,HANDLE	4930JJ2023C	B01	SCREW,DRAWING	1STZJA3004F
244C	HOLDER,HANDLE	4930JJ2022C	S01	SCREW,DRAWING	1SZZJJ3010A
244J	STOPPER,HANDLE	4620JJ3007A	S03	SCREW,DRAWING	1SZZJJ3018A
245A	HOLDER,HANDLE	4930JJ2019C	S07	SCREW,DRAWING	4000W4A003A
245B	HOLDER,HANDLE	4930JJ2020C	S22	SCREW,DRAWING	3J05696C
248E	DECO,TRAY	3806JJ2036A	S24	SCREW,DRAWING	1SZZJA3011B
248F	SUPPORTER,HOLDER	4980JJ2005B	S24	SCREW,DRAWING	1SZZJA3011B
248N	RAIL ASSEMBLY,SLIDE	5219JJ2002A	S24	SCREW,DRAWING	1SZZJA3011B
248P	RAIL ASSEMBLY,SLIDE	5219JJ2002B	S24	SCREW,DRAWING	1SZZJA3011B
249G	GUIDE,RAIL	4974JJ1011A	S28	SCREW,DRAWING	3J05696W
281A	COVER,HINGE	3550JJ2013C	S38	SCREW,DRAWING	4J00415D



P/No. 3828JL8086C

17 November, 2005