

This Owner's Manual is provided and hosted by [Appliance Factory Parts](http://www.appliancefactoryparts.com).



Kenmore 78554 Owner's Manual

[Shop genuine replacement parts for Kenmore 78554](#)



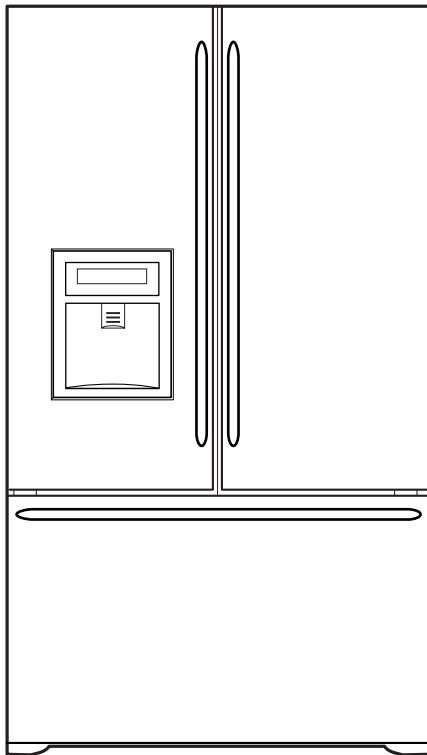
[Find Your Kenmore Refrigerator Parts - Select From 665 Models](#)

----- Manual continues below -----



REFRIGERATOR SERVICE MANUAL

CAUTION
BEFORE SERVICING THE UNIT,
READ THE SAFETY PRECAUTIONS IN THIS MANUAL.



Model #s:

795.78542.805
795.78543.805
795.78544.805
795.78546.805
795.78549.805
795.78552.805
795.78553.805
795.78554.805
795.78556.805
795.78559.805

CONTENTS

| | |
|---|--------------|
| SAFETY PRECAUTIONS | 2 |
| 1. SPECIFICATIONS | 3 |
| 2. PARTS IDENTIFICATION | 4 |
| 3. DISASSEMBLY | 5-12 |
| DOOR | 5-8 |
| TO REMOVE THE DISPENSER | 8 |
| FAN AND FAN MOTOR | 8 |
| DEFROST CONTROL ASSEMBLY | 9 |
| LAMP | 9 |
| CONTROL BOX-REFRIGERATOR | 9 |
| MULTI DUCT | 9 |
| HOW TO REMOVE AND REINSTALL THE PULLOUT DRAWER | 10-15 |
| 4. ADJUSTMENT | 13-15 |
| COMPRESSOR | 13 |
| PTC-STARTER | 13 |
| OLP (OVERLOAD PROTECTOR) | 14 |
| TO REMOVE THE COVER PTC | 14 |
| 5. CIRCUIT DIAGRAM | 15 |
| 6. TROUBLESHOOTING | 17-20 |
| COMPRESSOR AND ELECTRIC COMPONENTS | 17 |
| PTC AND OLP | 18 |
| OTHER ELECTRICAL COMPONENTS | 18 |
| SERVICE DIAGNOSIS CHART | 19 |
| REFRIGERATION CYCLE | 20-21 |
| 7. OPERATION PRINCIPLE AND REPAIR METHOD OF ICEMAKER | 22-27 |
| 8. DESCRIPTION OF FUNCTION AND CIRCUIT OF MICOM | 26-47 |

SAFETY PRECAUTIONS

Please read the following instructions before servicing your refrigerator.

1. Unplug the power before handling any electrical components.
2. Check the rated current, voltage, and capacity.
3. Take caution not to get water near any electrical components.
4. Use exact replacement parts.
5. Remove any objects from the top prior to tilting the product.

1. SPECIFICATIONS

1-1 DISCONNECT POWER CORD BEFORE SERVICING IMPORTANT – RECONNECT ALL GROUNDING DEVICES

All parts of this appliance capable of conducting electrical current are grounded. If grounding wires, screws, straps, clips, nuts, or washers used to complete a path to ground are removed for service, they must be returned to their original positions, and properly fastened.

1-2 IMPORTANT NOTICE

This information is intended for use by individuals, possessing adequate backgrounds of electrical, electronic, and mechanical experience. Any attempt to repair a major appliance may result in personal injury and property damage. The manufacturer or seller cannot be responsible for the interpretation of this information, nor can it assume any liability in connection with its use.

1-3 ELECTRICAL SPECIFICATIONS

Temperature Control (Freezer Compartment) ...-6°F to +8°F
 Defrost ControlTotal Comp Running Time : 7 hrs ~ 50 hrs
 Defrost Thermostat46°F
 Electrical Rating : 115VAC, 60Hz1-5 A
 Maximum Current Leakage0.5 mA
 Maximum Ground Path Resistance0.14 Ohms
 Energy Consumption21 cu.ft. 457 kWh/yr (Energy Star)
25 cu.ft. 476 kWh/yr (Energy Star)

1-4 NO LOAD PERFORMANCE CONTROL POSITION: MID/MID

Ambient of70°F90°F
 Fresh Food, °F.....33°F to 41°F33°F to 41°F
 Frozen Food, °F.....-4°F to +4°F-4°F to +4°F
 Percent Running Time.....35%-45%.....50°F-70°F

1-5 REFRIGERATION SYSTEM

Minimum Compressor Capacity Vacuum.....20 MIN.
 Minimum Equalized Pressure
 @ 70°F52 PSIG
 @ 90°F59 PSIG
 Refrigerant R134a.....4.41oz.
 Compressor.....754BTU/hr

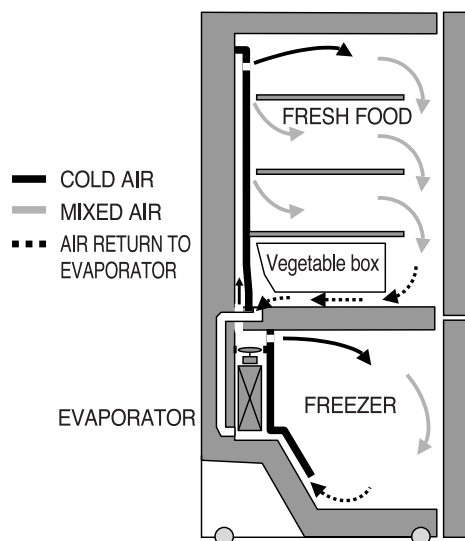
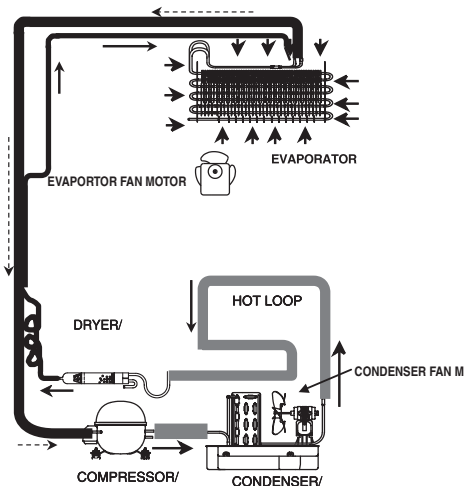
1-6 INSTALLATION

Clearance must be provided at top, sides, and rear of the refrigerator for air circulation.
 AT REAR1 in

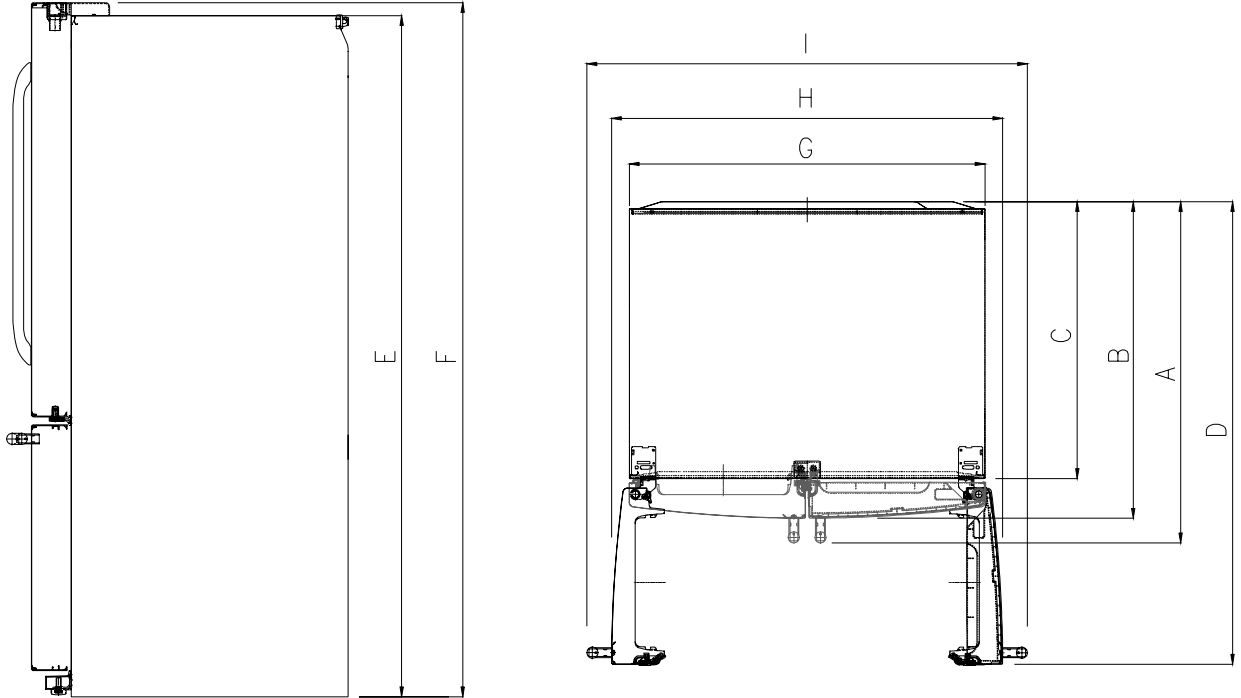
1-7 REPLACEMENT PARTS

| | |
|----------------------------|-------------------------------|
| | 25cu.ft |
| | 795. 78542.805 795. 78552.805 |
| | 795. 78543.805 795. 78553.805 |
| | 795. 78544.805 795. 78554.805 |
| | 795. 78546.805 795. 78556.805 |
| | 795. 78549.805 795. 78559.805 |
| Cover Relay..... | 3550C-0042C |
| Overload | 6750C-0004S |
| Defrost Thermostat | 6615JB2005H |
| Defrost Heater | 5300JK1005D |
| Evaporator Fan Motor | 4681JK1004D |
| Capacitor (Running) | 0CZZJB2014L |
| Compressor (Hi-Side) | TCA34638901 |
| Evaporator (Lo-Side) | 5421JJ1003B |
| Condenser | ACG36653801 |
| Dryer | 5851JA2008U |
| Condenser Fan Motor | 4681JB1029D |
| Temperature Control | 6871JB1439B |
| Main Control | 6871JB1423H |

1-8 AIR FLOW / CIRCULATION D'AIR

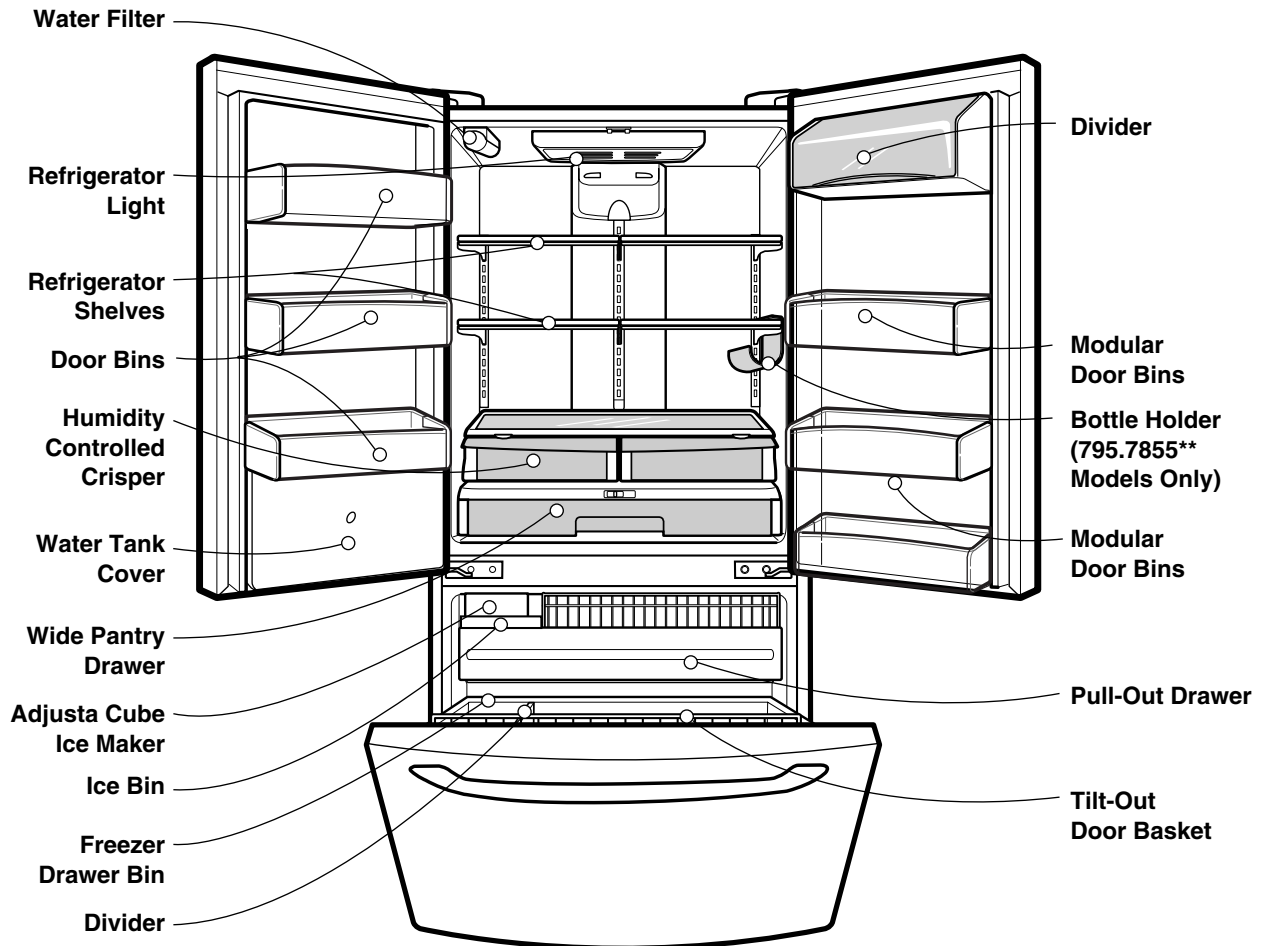


1-9 DIMENSIONS



| Description | | 795.785** |
|--------------------------------------|---|------------|
| Depth w/ Handles | A | 34 1/4 in. |
| Depth w/o Handles | B | 31 3/4 in. |
| Depth w/o Door | C | 27 7/8 in. |
| Depth (Total with Door Open) | D | 46 1/2 in. |
| Height to Top of Case | E | 68 3/8 in. |
| Height to Top of Door Hinge | F | 69 3/4 in. |
| Width | G | 35 3/4 in. |
| Width (door open 90 deg. w/o handle) | H | 39 1/4 in. |
| Width (door open 90 deg. w/ handle) | I | 44 1/4 in. |

2. PARTS IDENTIFICATION



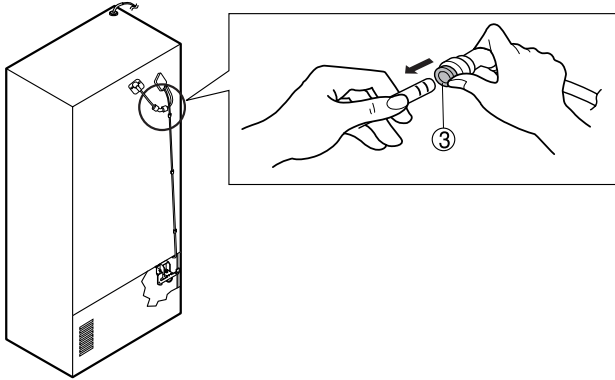
3. DISASSEMBLY

3-1 REMOVING AND REPLACING REFRIGERATOR DOORS

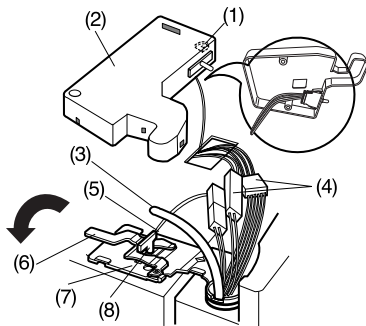
To remove the left refrigerator door:

Pull the water tube out of the fitting while pressing the release ring on the fitting.

When you pull out the tube, first you have to push the collet by opposite direction of arrow in the upper picture and tube pull out by direction of arrow.



CAUTION: Before you begin, remove food and bins from the doors.

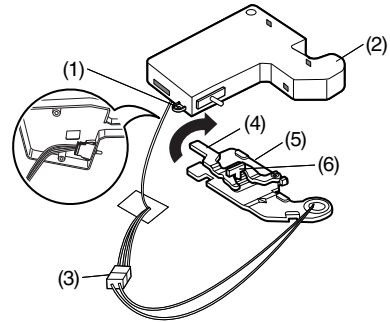


- Open the door. Remove the top hinge cover screw (1).
- Use a flat-head screwdriver to pry back the hooks (not shown) on the front underside of the cover (2). Lift up the cover.
- Remove the cover. Pull out the tube (3).
- Disconnect all the wire harnesses (4).
- Remove the grounding screw(5)
- Rotate hinge lever (6) counterclockwise. Lift the top hinge (7) free of the hinge lever latch (8).

IMPORTANT: When lifting the hinge free of the latch, be careful that the door does not fall forward.

- Lift the door from the middle hinge pin and remove the door.
- Place the door, inside facing up, on a nonscratching surface.

To remove the right refrigerator door:



- Open the door. Remove the top hinge cover screw (1). Lift up the cover (2).
- Remove the cover.
- Disconnect the wire harness (3).
- Rotate the hinge lever (4) clockwise. Lift the top hinge (5) free of the hinge lever latch (6).

IMPORTANT: When lifting the hinge free of the latch, be careful that the door does not fall forward.

WARNING

Explosion Hazard

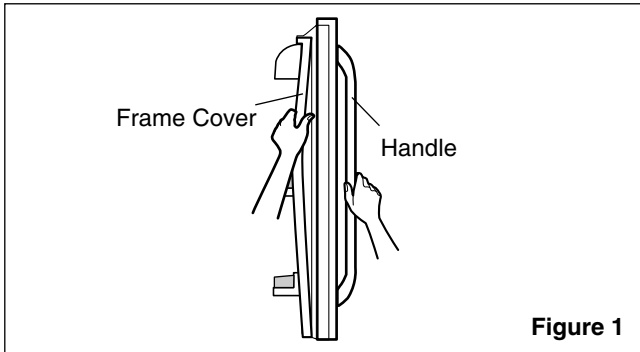
- Disconnect electrical supply to the refrigerator before installing. Failure to do so could result in death or serious injury.
- Do not put hands or feet or other objects into the air vents, base grille, or bottom of the refrigerator. You may be injured or receive an electrical shock.
- Be careful when you work with the hinge, base grille, and stopper. You may be injured.

3-2 DOOR

● Door Gasket Removal

1. Remove door frame cover

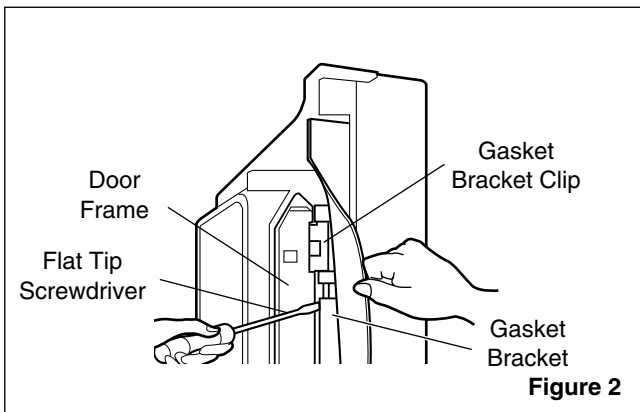
Starting at top of cover and working down, snap cover out and away from door.



2. Remove gasket bracket clips

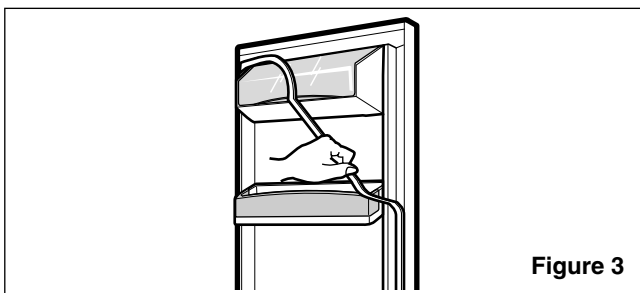
There are two clips on each door. Start bracket removal near one of the middle clips.

- 1) Pull gasket back to expose gasket bracket clip and door frame.
- 2) Insert a flat tip screwdriver into seam between gasket bracket and door frame and pry back until clips snaps out.
- 3) Continue prying back along seam until all clips snap out.



3. Remove gasket

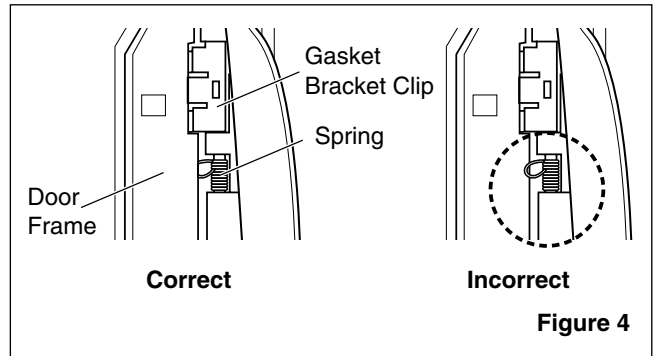
Pull gasket free from gasket channel on the three remaining sides of door.



● Door Gasket Replacement

1. Insert gasket bracket clips

- 1) Insert gasket bracket edge beneath door frame edge.
- 2) Turn upper gasket bracket spring so that the spring ends are in the door channel.
- 3) Push in clip until you hear it snap securely into place.



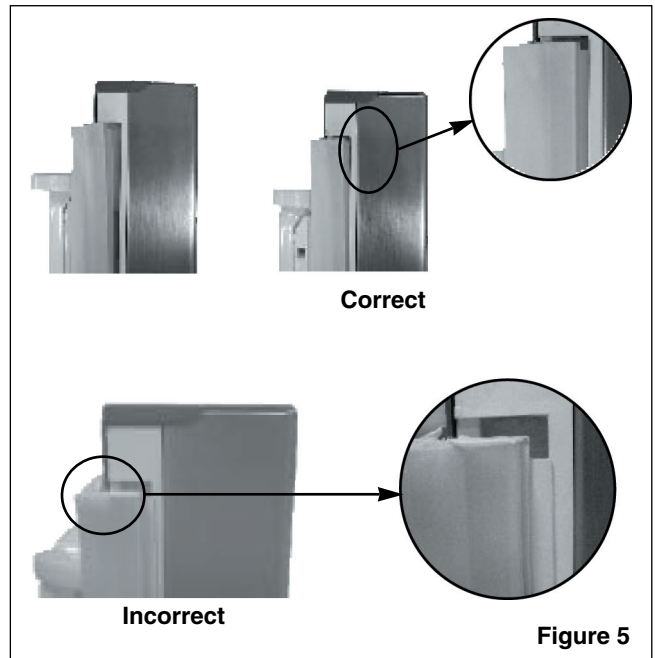
- 4) Push in remaining two clips until you hear each snap securely into place.

Note: Make sure that no part of gasket bracket edge protrudes from beneath door frame edge.

2. Insert gasket into channel

- 1) Snap gasket assembly into the door bracket.

Inserting the Gasket Assembly into the Bracket Door



- 2) Press gasket into channels on the three remaining sides of door.

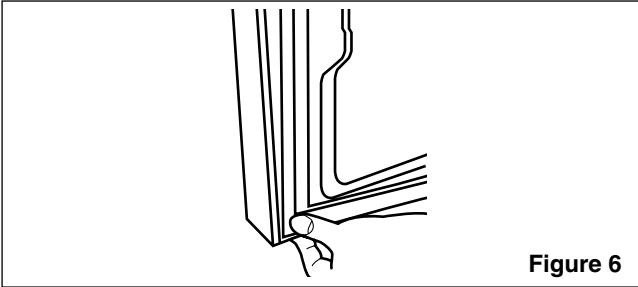


Figure 6

3. Replace door frame cover

Starting at top of cover and working down, snap cover back into door.

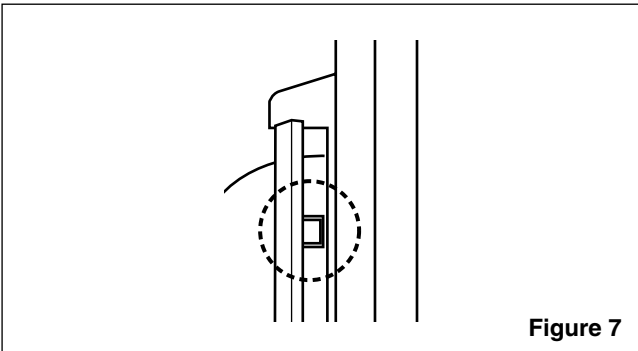


Figure 7

3-3 TO REMOVE THE DISPENSER

1. Use fiat tip screwdriver to pry back hooks on bottom underside of cover dispenser.

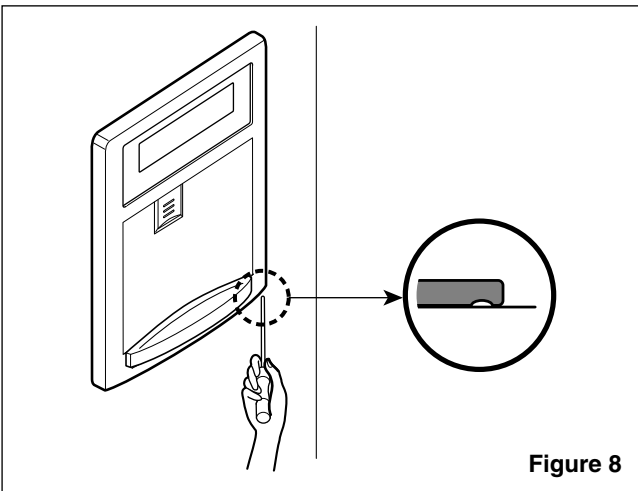


Figure 8

2. Pry off cover dispenser.

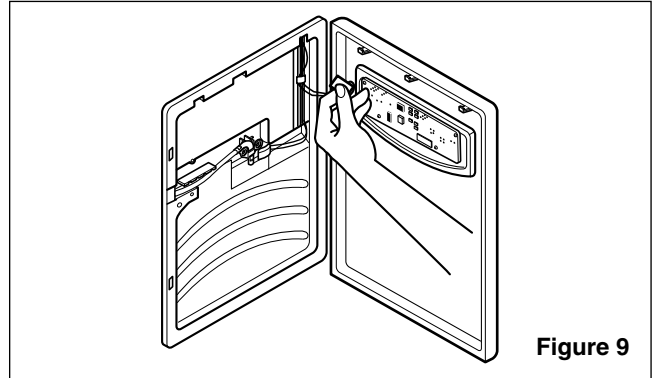


Figure 9

Disconnect wire harness.

3. Replace cover dispenser in opposite manner and order of removal.

3-4 DOOR ALIGNMENT

If the space between your doors is uneven, follow the instructions below to align the doors:

1. With one hand, lift up the door you want to raise at middle hinge.
2. With other hand, use pliers to insert snap ring as shown.
3. Insert additional snap rings until the doors are aligned. (Three snap rings are provided with unit.)

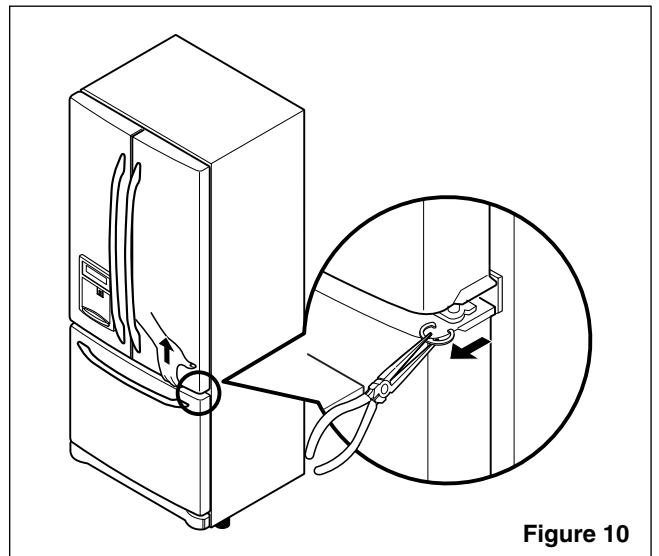


Figure 10

3-5 FAN AND FAN MOTOR

1. Remove the freezer shelf. (If your refrigerator has an icemaker, remove the icemaker first)
2. Remove the plastic guide for slides on left side by unscrewing phillips head screws.
3. Remove the grille by pulling it out and by loosening a screw.
4. Remove the Fan Motor assembly by loosening 2 screws and disassemble the shroud.
5. Pull out the fan and separate the Fan Motor and Bracket.

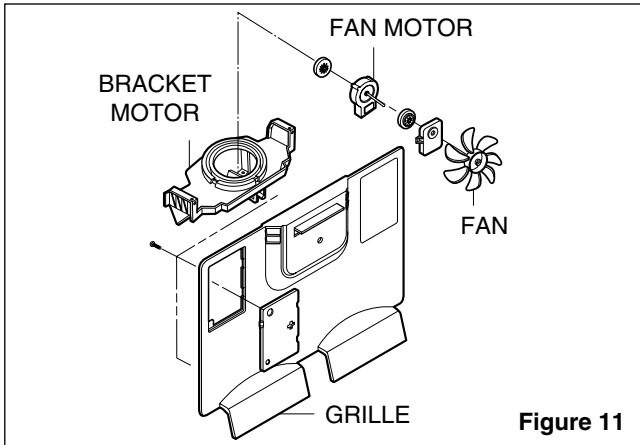


Figure 11

3-6 DEFROST CONTROL ASSEMBLY

Defrost Control assembly consists of Defrost Sensor and FUSE-M.

The Defrost Sensor works to defrost automatically. It is attached to the metal side of the Evaporator and senses its temperature. At 46°F(8°C), it turns the Defrost Heater off. Fuse-M is a safety device for preventing over-heating of the Heater when defrosting. At 172.8°F(77°C), it turns the Defrost Heater off. It is attached to the between Eva pipe in the middle Evaporator.

1. Pull out the grille assembly. (Figure 12)
2. Separate the connector with the Defrost Control assembly and replace the Defrost Control assembly after cutting the Tie Wrap. (Figure 13)

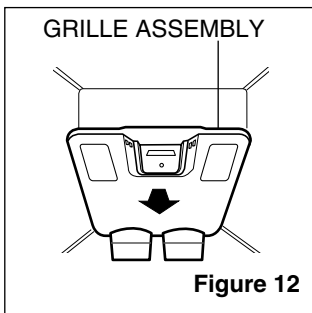


Figure 12

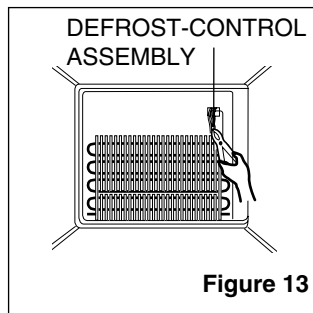


Figure 13

3-7 LAMP

3-7-1 Refrigerator Compartment Lamp

1. Unplug Refrigerator, or disconnect power at the circuit breaker.
2. If necessary, remove top shelf or shelves.
3. Using a flat instrument, gently pry the cover loose in the front as shown. Rotate downward to remove rear tabs.

4. Make sure the bulbs are cool to the touch. Turn bulbs counterclockwise to remove.
5. Assemble in reverse order by snapping the Lamp Cover in, engaging the rear tabs followed by the front tabs. (Max. 60 W-2EA)

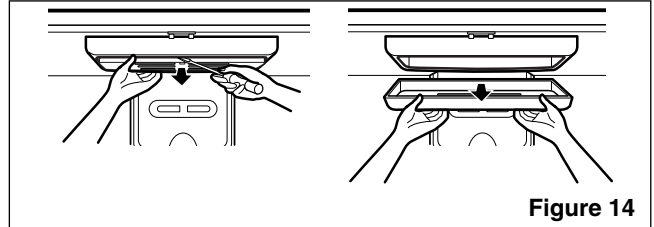


Figure 14

3-7-2 Freezer Compartment Lamp

1. Unplug refrigerator power cord from outlet.
2. Using a flat instrument, gently pry the lamp cover loose in the front as shown. Rotate downward to remove the rear tabs.
3. Make sure the bulb is cool to the touch. Turn the bulb counterclockwise to remove.
4. Replace with a new 60-watt appliance bulb.
5. Insert tabs on back of cover into slots in freezer ceiling. Push cover up to snap front into place.

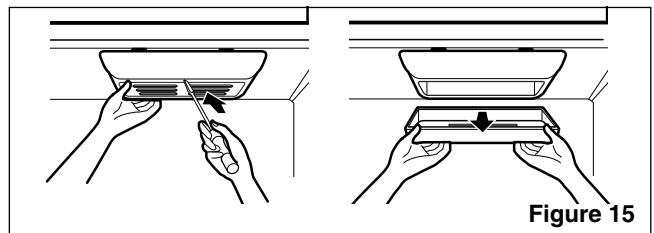


Figure 15

3-8 CONTROL BOX-REFRIGERATOR

1. First, remove all shelves in the refrigerator, then remove the Refrigerator control Box by loosening 2 screws.

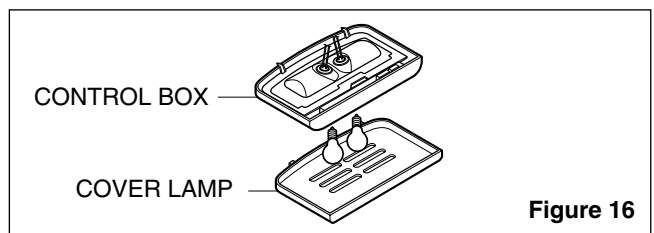


Figure 16

2. Remove the Refrigerator Control Box by pulling it downward.
3. Disconnect the lead wire on the right position and separate the lamp sockets.

3-9 MULTI DUCT

1. Remove an upper and lower Cap by using a flat screwdriver, and loosen 2 screws. (Figure 17)
2. Disconnect the lead wire on the bottom position.

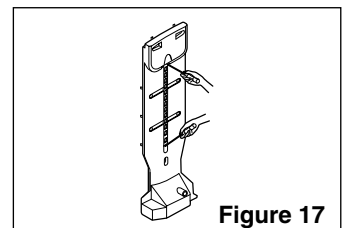


Figure 17

3-10 HOW TO REMOVE AND REINSTALL THE PULLOUT DRAWER

3-10-1 FOLLOW STEPS TO REMOVE

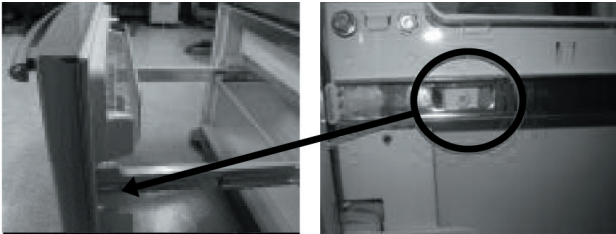
Step 1) Open the freezer door.



Step 2) Remove the lower basket.



Step 3) Remove the two screws from the guide rails (one from each side).



Step 4) Lift the freezer door up to unhook it from the rail support and remove. Pull both rails to full extension.

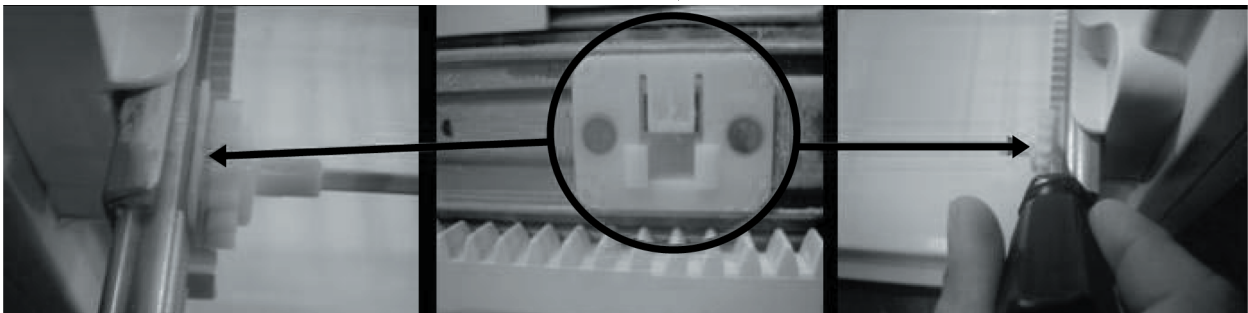


Step 5) First: Remove the gear from the left side first by releasing the tab behind the gear, place a screwdriver between the gear and the tab and pull up on the gear.

Second: Remove the center rail.

Third: Remove the gear from the right side by following the same steps for the left side.

NOTE: THIS TAB MUST BE PUSHED IN TO RELEASE THE GEAR.



3-10-2 FOLLOW STEPS TO REINSTALL

Step 1) Reinstall the right side gear into the clip.



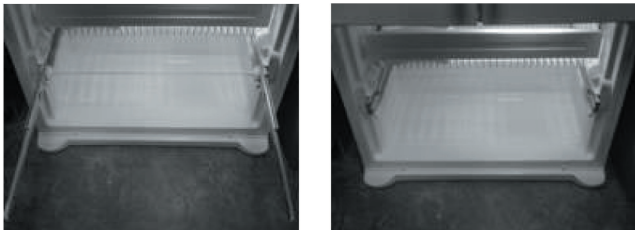
Step 2) Insert the rail into the right side gear. Gears do **not** need to be perpendicular to each other.



Step 3) Insert the rail into the left side gear, and insert the gear into the clip.



Step 4) The rail system will align itself by pushing the rails all the way into the freezer section. Pull the rails back out to full extension.



Step 5) Reinstall the freezer door by inserting the rail tabs into the guide rail.



Step 6) Reinstall the two screws into the guide rails (one from each side).

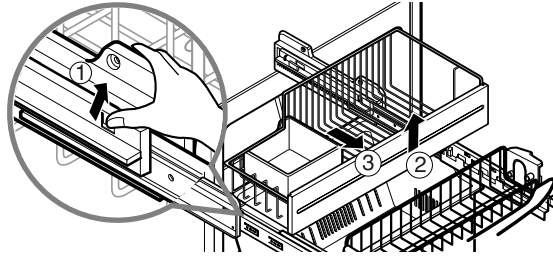


Step 7) Reinstall the lower basket, and close the freezer door.

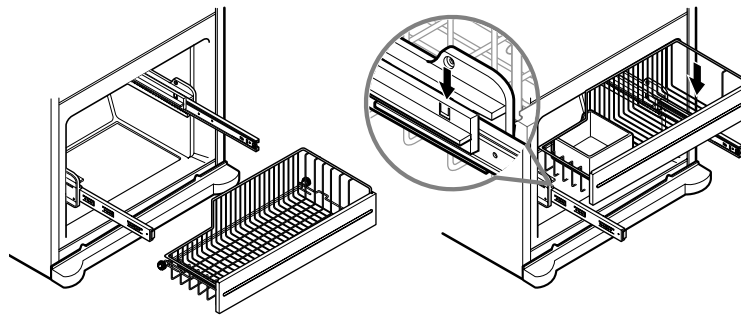


3-10-3 PULL OUT DRAWER

To separate the drawer, push the front left and right hooks in ① direction to pull up and remove. Then gently lift the gear part of rear left and right side of the drawer and pull it out in ③ direction.



To install, reposition the gear part of rear left and right side of the drawer after pulling out both rails as much as possible, and gently push down both left and right side while checking the hook on the front part.



4. ADJUSTMENT

4-1 COMPRESSOR

4-1-1 Role

The compressor intakes low temperature and low pressure gas from the evaporator of the refrigerator and compresses this gas to high-temperature and high-pressure gas. It then delivers the gas to the condenser.

4-1-2 Composition

The compressor includes overload protection. The PTC starter and OLP (overload protector) are attached to the outside of the compressor. Since the compressor is manufactured to tolerances of 1 micron and is hermetically sealed in a dust and moisture-free environment, use extreme caution when repairing it.

4-1-3 Note for usage

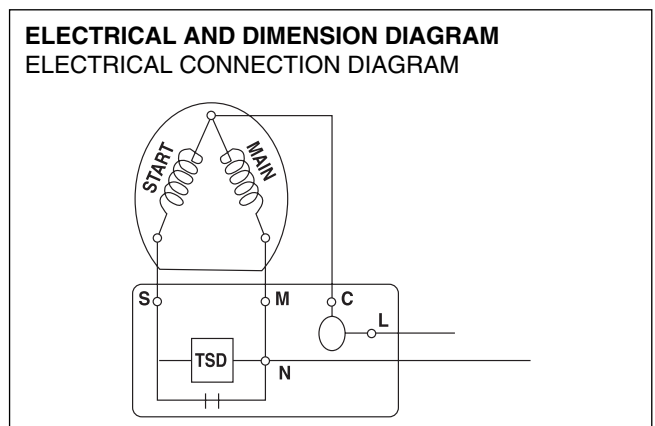
- (1) Be careful not to allow over-voltage and over-current.
- (2) If compressor is dropped or handled carelessly, poor operation and noise may result.
- (3) Use proper electric components appropriate to the particular compressor in your product.
- (4) Keep compressor dry.
If the compressor gets wet (in the rain or a damp environment) and rust forms in the pin of the Hermetic Terminal, poor operation and contact may result.
If the hermetic connector rusts out or fails, refrigerant and oil will be expelled into the contact area, probably resulting in smoke and fire.
- (5) When replacing the compressor, be careful that dust, humidity, and soldering flux don't contaminate the inside of the compressor. Contamination in the cylinder may cause noise, improper operation or even cause it to lock up.

4-2 TSD STARTER

- The TSD must not be applied to refrigeration systems with defrosting electrical resistance or any other component in parallel to the thermostat. Systems with this configuration can maintain a residual voltage over the compressor when the thermostat is opened, obstructing the proper functioning of the TSD. It is vital for the TSD circuit and compressor to remain completely de-energized after opening the thermostat.
- Use of the fixing clamp is essential, as this prevents disconnection or bad TSD contact in relation to the compressor as well as to running capacitor in relation to the TSD. The ones that assemble it have to guarantee a perfect connection between the parts. Bad contacts and sparking can burn out the electronic circuit.
- The electronic circuit was designed taking the mandatory use of the running capacitor into consideration.
The 115V version is rect angular box, assembling directly onto the TSD body .
- The plastic box was projected to offer protection against contamination and mechanical shock normally present in refrigeration system production lines.
- The TSD's internal components may undergo degradation when in contact with chemical elements such as Cl₂, H₂S, NH₃, SO_x, NO_x. Some plastic isolation of cables may release chemical elements when submitted to high temperature conditions. Thus, check if the isolation of the cables used on the terminal board are in accordance with this recommendation.

4-2-3 TSD-Applied circuit diagram

● Starting Method for the Motor



4-2-4 Reference

- The TSD was designed for the operation with a run capacitor and Embraco domestic compressor; any other application must be previously evaluated by Embraco's technical team.
- Embraco reserves the right to check the customer's handling of the manufacturing / assembly process, indicating possible adjustments should any be required.
- After replacement, the compressor and its accessories must have proper processing, and the components must be recycled according to the material group (ferrous, non-ferrous, polymers, oils, ...) directives.
These recommendations are intended to minimize the adverse impacts that may be caused to the environment.

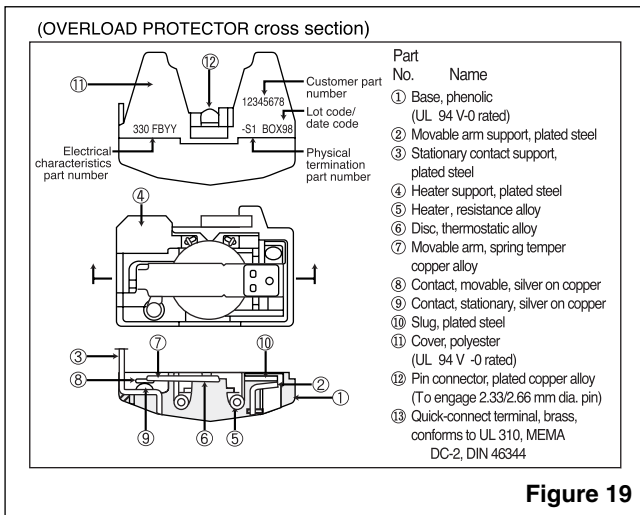
4-3 OLP (OVERLOAD PROTECTOR)

4-3-1 Definition of OLP

- (1) OLP (OVERLOAD PROTECTOR) is attached to the Compressor and protects the Motor by opening the circuit to the Motor if the temperature rises and activating the bimetal spring in the OLP.
- (2) When high current flows to the Compressor motor, the Bimetal works by heating the heater inside the OLP, and the OLP protects the Motor by cutting off the current flowing to the Compressor Motor.

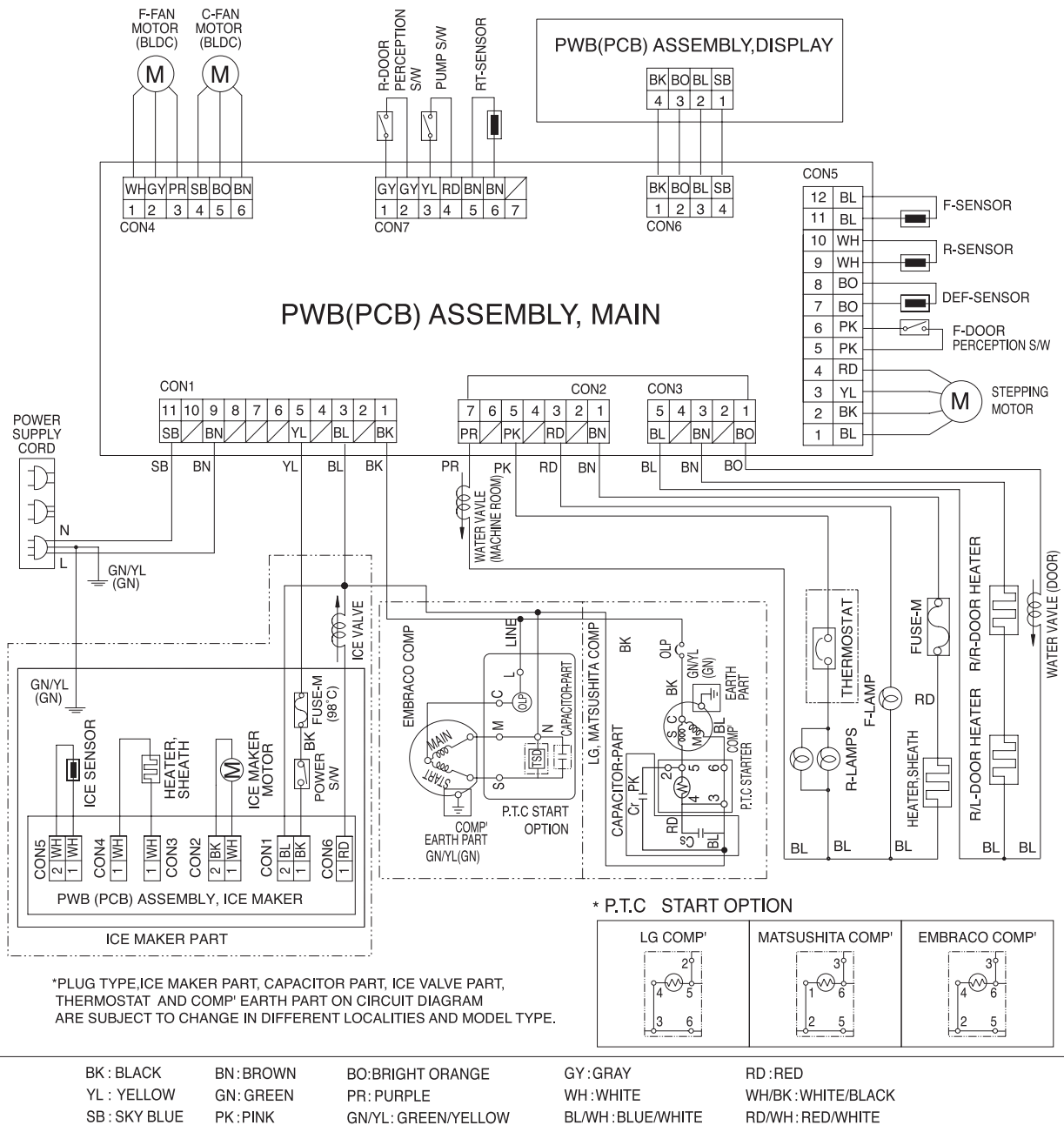
4-3-2 Role of the OLP

- (1) The OLP is attached to the Sealed Compressor used for the Refrigerator. It prevents the Motor Coil from being started in the Compressor.
- (2) For normal operation of the OLP, do not turn the Adjust Screw of the OLP in any way.

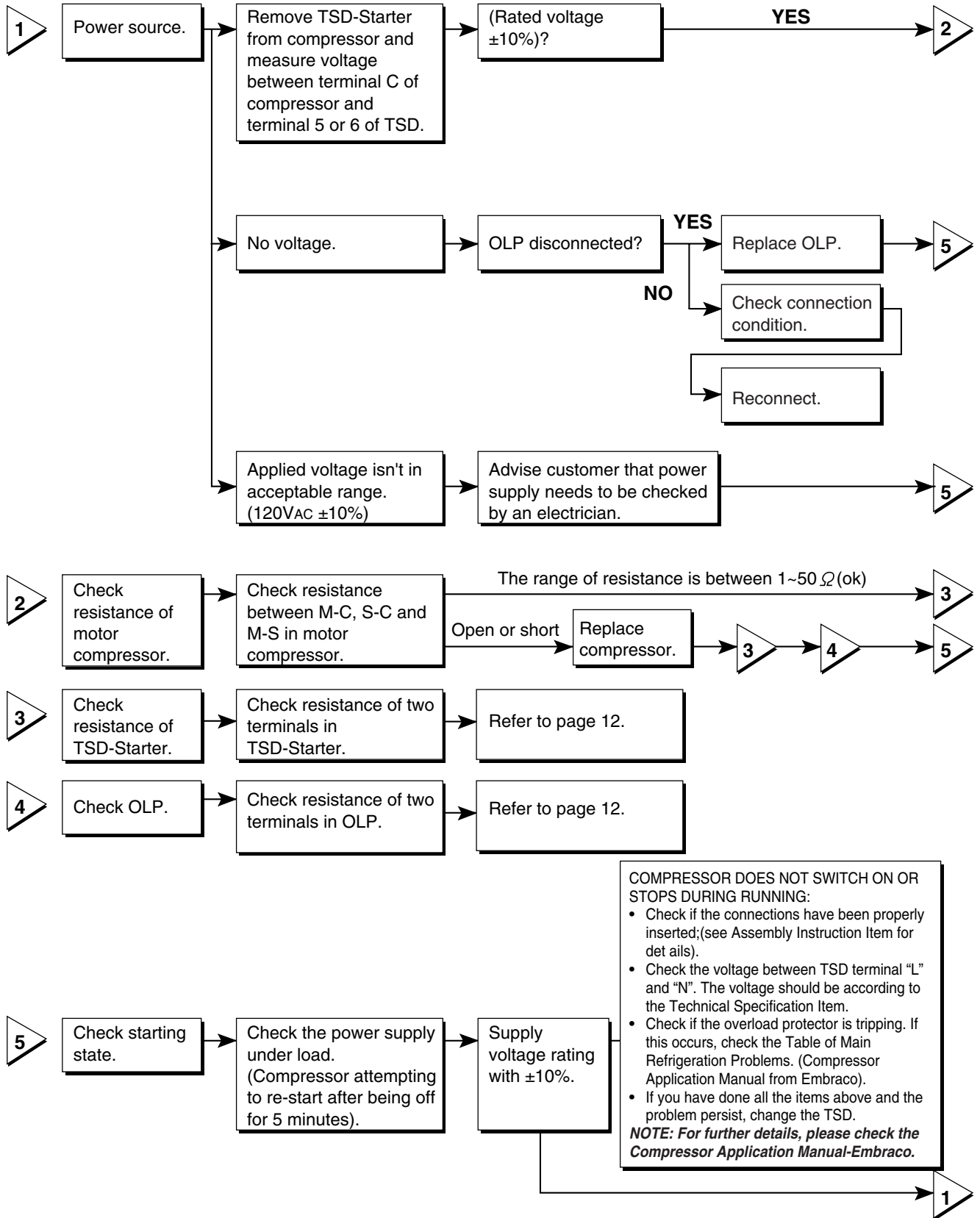


5. CIRCUIT DIAGRAM

CIRCUIT DIAGRAM



6-1 COMPRESSOR AND ELECTRIC COMPONENTS



6-2 TSD AND OLP

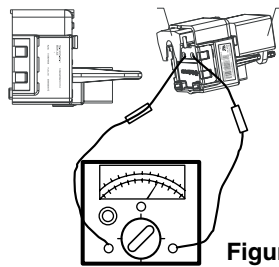
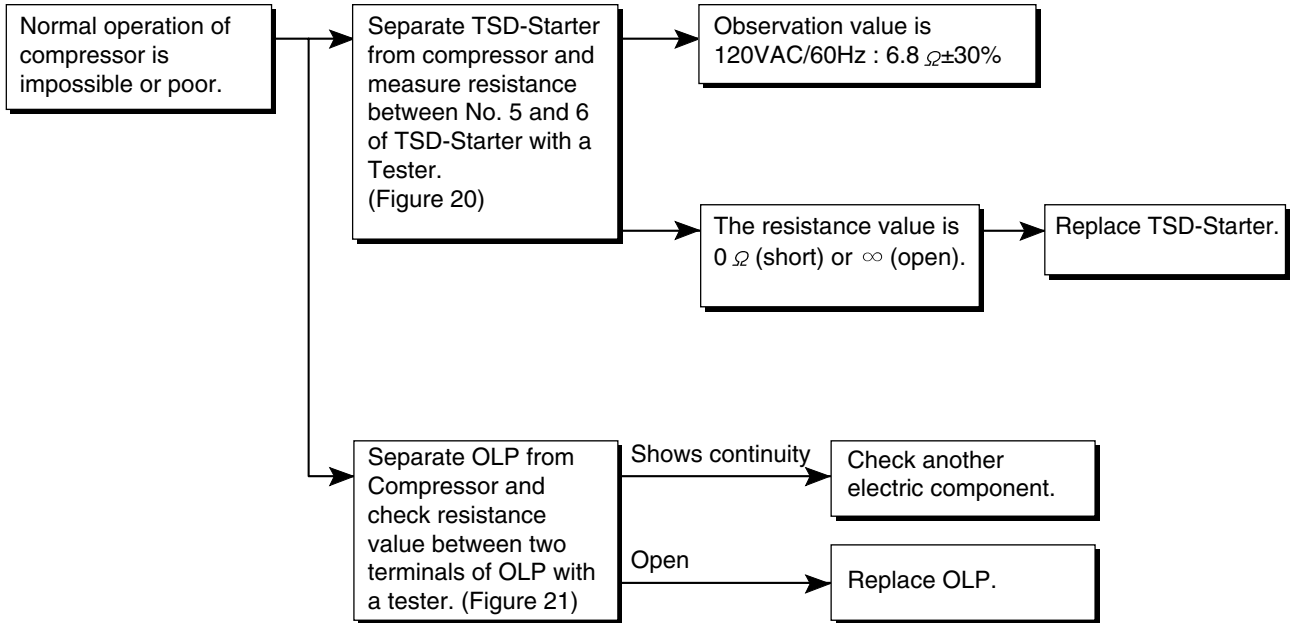


Figure 20

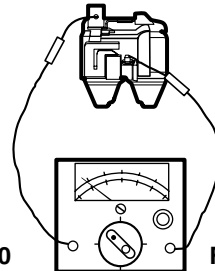
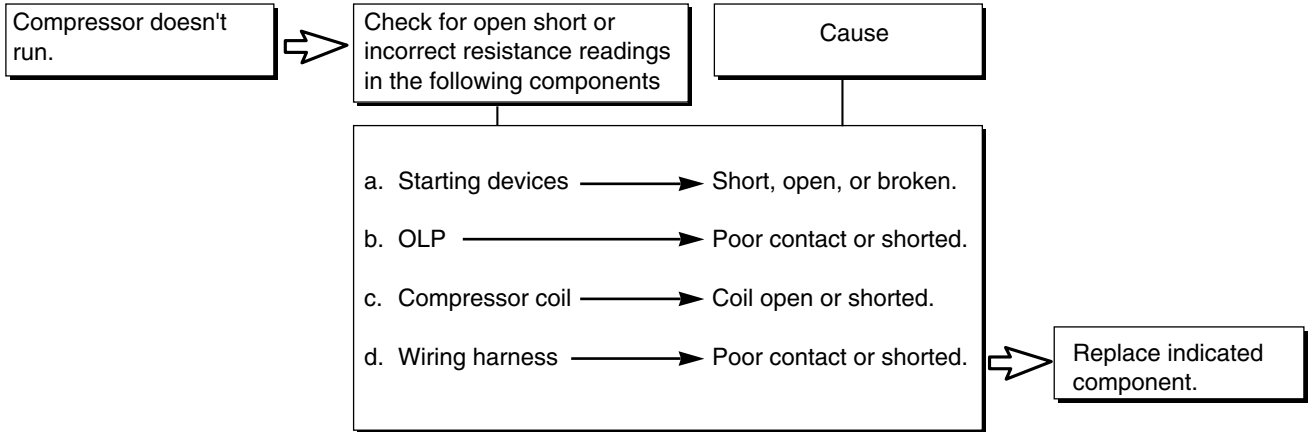


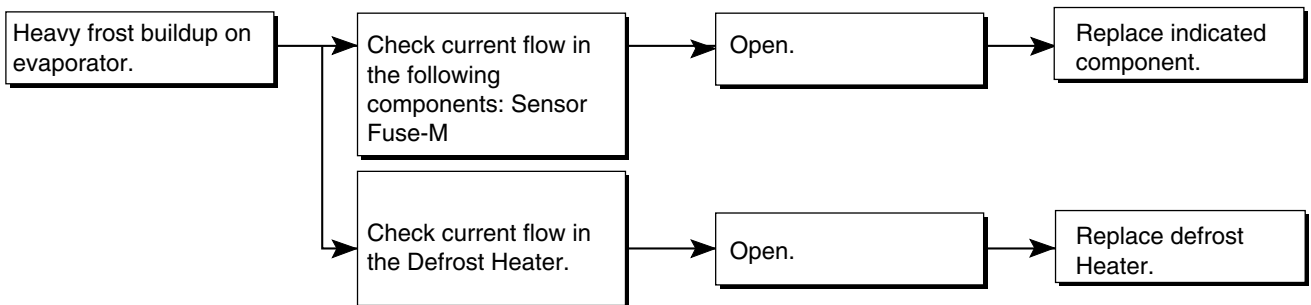
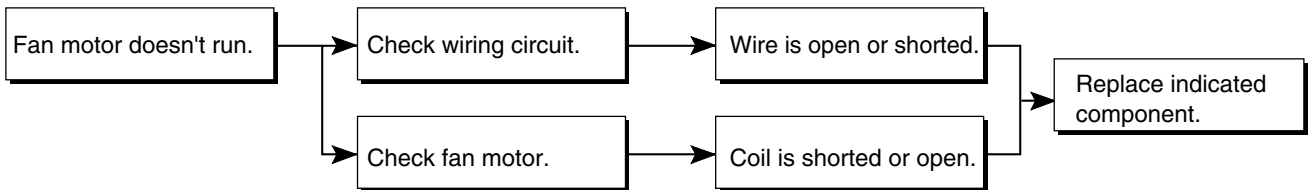
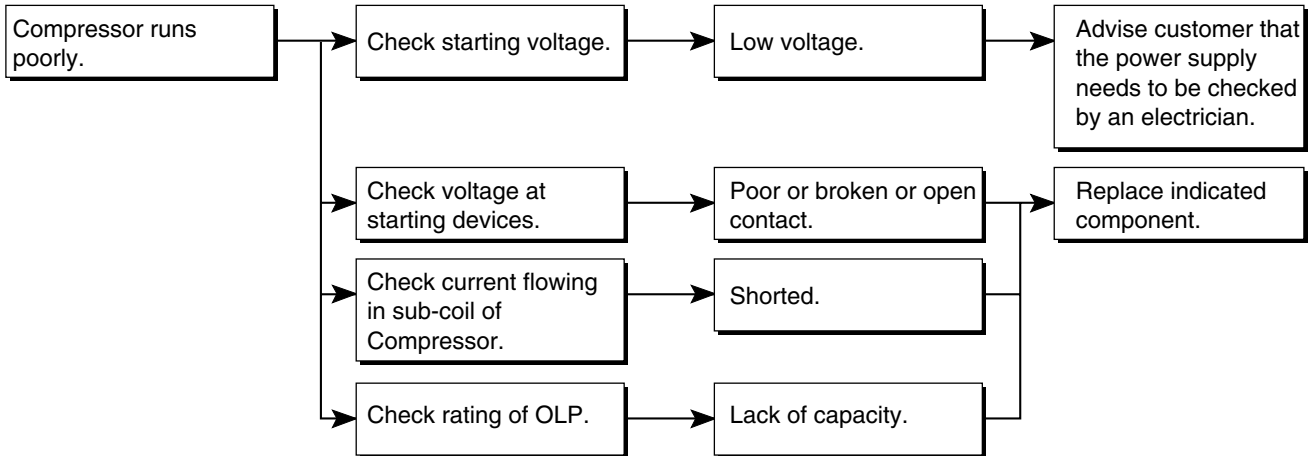
Figure 21

6-3 OTHER ELECTRICAL COMPONENTS

▼ Not cooling at all



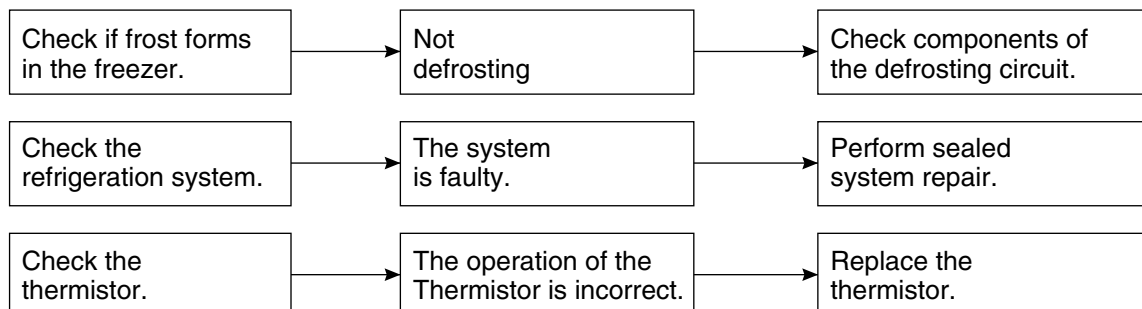
▼ Poor cooling performance



6-4 SERVICE DIAGNOSIS CHART

| COMPLAINT | POINTS TO BE CHECKED | REMEDY |
|--|---|--|
| No Cooling. | <ul style="list-style-type: none"> Is the power cord unplugged from the outlet? Check if the power switch is set to OFF. Check if the fuse of the power switch is shorted. Measure the voltage of the power outlet. | <ul style="list-style-type: none"> Plug into the outlet. Set the switch to ON. Replace the fuse. If the voltage is low, correct the wiring. |
| Cools poorly. | <ul style="list-style-type: none"> Check if the unit is placed too close to the wall. Check if the unit is placed too close to the stove, gas cooker, or in direct sunlight. Is the ambient temperature too high or the room door closed? Check if food put in the refrigerator is hot. Did you open the door of the unit too often or check if the door is sealed properly? Check if the Control is set to Warm position. | <ul style="list-style-type: none"> Place the unit about 4 inches (10 cm) from the wall. Place the unit away from these heat sources. Lower the ambient temperature. Put in foods after they have cooled down. Don't open the door too often and close it firmly. Set the control to Recommended position. |
| Foods in the Refrigerator are frozen. | <ul style="list-style-type: none"> Is food placed in the cooling air outlet? Check if the control is set to colder position. Is the ambient temperature below 41°F(5°C)? | <ul style="list-style-type: none"> Place foods in the high-temperature section. (front part) Set the control to Recommended position. Set the control to Warm position. |
| Condensation or ice forms inside the unit. | <ul style="list-style-type: none"> Is liquid food sealed? Check if food put in the refrigerator is hot. Did you open the door of the unit too often or check if the door is sealed properly? | <ul style="list-style-type: none"> Seal liquid foods with wrap. Put in foods after they have cooled down. Don't open the door too often and close it firmly. |
| Condensation forms in the Exterior Case. | <ul style="list-style-type: none"> Check if the ambient temperature and humidity of the surrounding air are high. Is there a gap in the door gasket? | <ul style="list-style-type: none"> Wipe moisture with a dry cloth. It will disappear in low temperature and humidity. Fill up the gap. |
| There is abnormal noise. | <ul style="list-style-type: none"> Is the unit positioned in a firm and even place? Are any unnecessary objects placed in the back side of the unit? Check if the drip tray is not firmly fixed. Check if the cover of the compressor enclosure in the lower front side is taken out. | <ul style="list-style-type: none"> Adjust the leveling screw, and position the refrigerator in a firm place. Remove drip tray. Fix the Drip Tray firmly in the original position. Place the cover in its original position. |
| Door does not close well. | <ul style="list-style-type: none"> Check if the door gasket is dirty with an item like juice. Is the refrigerator level? Is there too much food in the refrigerator? | <ul style="list-style-type: none"> Clean the door gasket. Position in the firm place and level the leveling screw. Make sure food stored in shelves does not prevent the door from closing. |
| Ice and foods smell unpleasant. | <ul style="list-style-type: none"> Check if the inside of the unit is dirty. Are foods with a strong odor unwrapped? The unit smells of plastic. | <ul style="list-style-type: none"> Clean the inside of the unit. Wrap foods that have a strong odor. New products smell of plastic, but this will go away after 1-2 weeks. |

●Other possible problems:

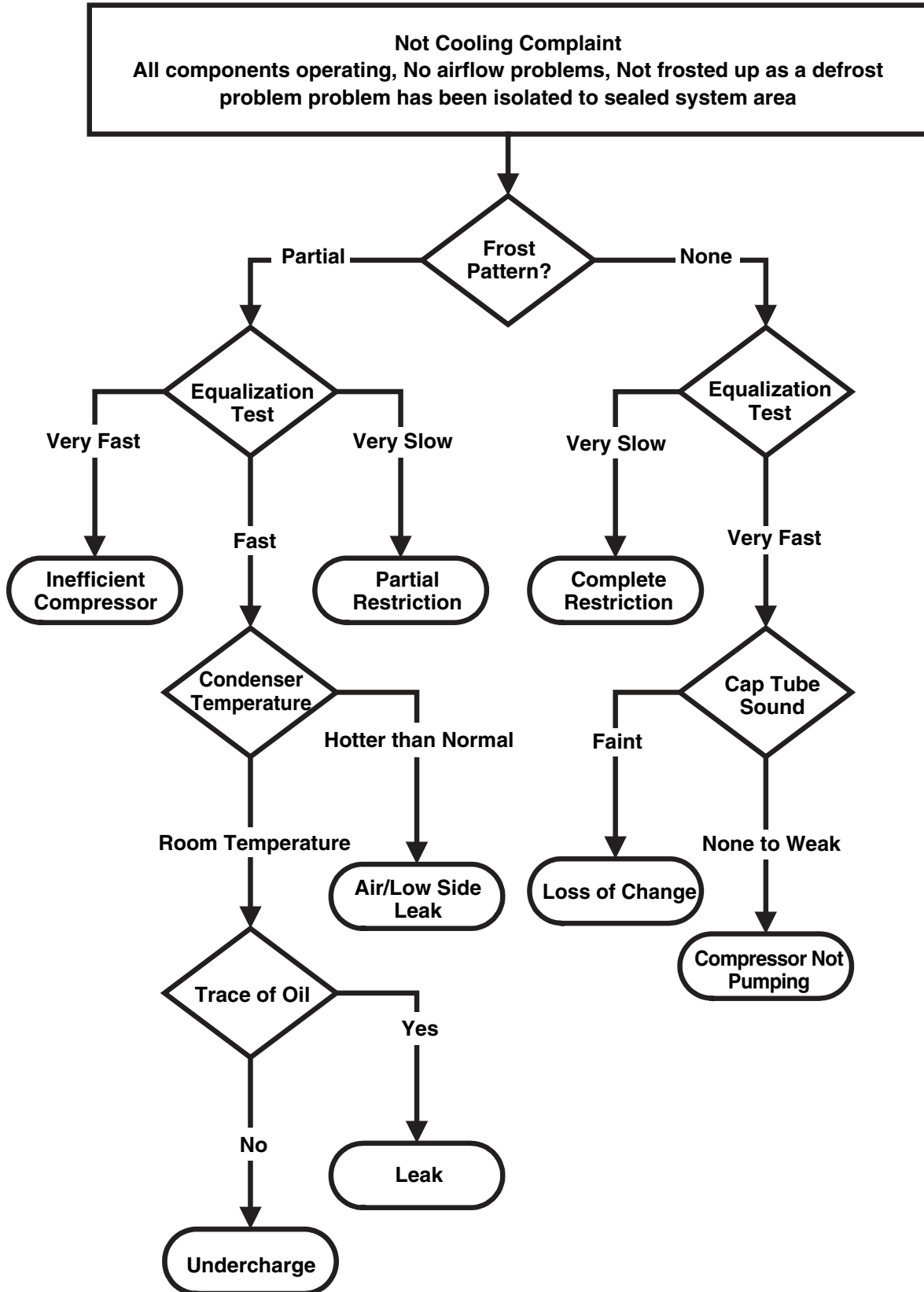


6-5 REFRIGERATION CYCLE

▼ Troubleshooting Chart

| CAUSE | | STATE OF THE UNIT | STATE OF THE EVAPORATOR | TEMPERATURE OF THE COMPRESSOR | REMARKS |
|-----------------------|------------------|---|--|---|---|
| LEAKAGE | PARTIAL LEAKAGE | Freezer compartment and refrigerator don't cool normally. | Low flowing sound of refrigerant is heard and frost forms in inlet only. | A little higher than ambient temperature. | <ul style="list-style-type: none"> Refrigerant level is low due to a leak. Normal cooling is possible by restoring the normal amount of refrigerant and repairing the leak. |
| | COMPLETE LEAKAGE | Freezer compartment and Refrigerator don't cool normally. | Flowing sound of refrigerant is not heard and frost isn't formed. | Equal to ambient temperature. | <ul style="list-style-type: none"> No discharging of refrigerant. Normal cooling is possible by restoring the normal amount of refrigerant and repairing the leak. |
| CLOGGED BY DUST | PARTIAL CLOG | Freezer compartment and refrigerator don't cool normally. | Flowing sound of refrigerant is heard and frost forms in inlet only. | A little higher than ambient temperature. | <ul style="list-style-type: none"> Normal discharging of the refrigerant. The capillary tube is faulty. |
| | WHOLE CLOG | Freezer compartment and Refrigerator don't cool. | Flowing sound of refrigerant is not heard and frost isn't formed. | Equal to ambient temperature. | <ul style="list-style-type: none"> Normal discharging of the refrigerant. |
| MOISTURE CLOG | | Cooling operation stops periodically. | Flowing sound of refrigerant is not heard and frost melts. | Lower than ambient temperature. | <ul style="list-style-type: none"> Cooling operation restarts when heating the inlet of the capillary tube. |
| DEFECTIVE COMPRESSION | COMP-RESSION | Freezer and refrigerator don't cool. | Low flowing sound of refrigerant is heard and frost forms in inlet only. | A little higher ambient temperature. | <ul style="list-style-type: none"> Low pressure at high side of compressor due to low refrigerant level. |
| | NO COMP-RESSION | No compressing operation. | Flowing sound of refrigerant is not heard and there is no frost. | Equal to ambient temperature. | <ul style="list-style-type: none"> No pressure in the high pressure part of the compressor. |

6-5-1 SEALED SYSTEM DIAGNOSIS

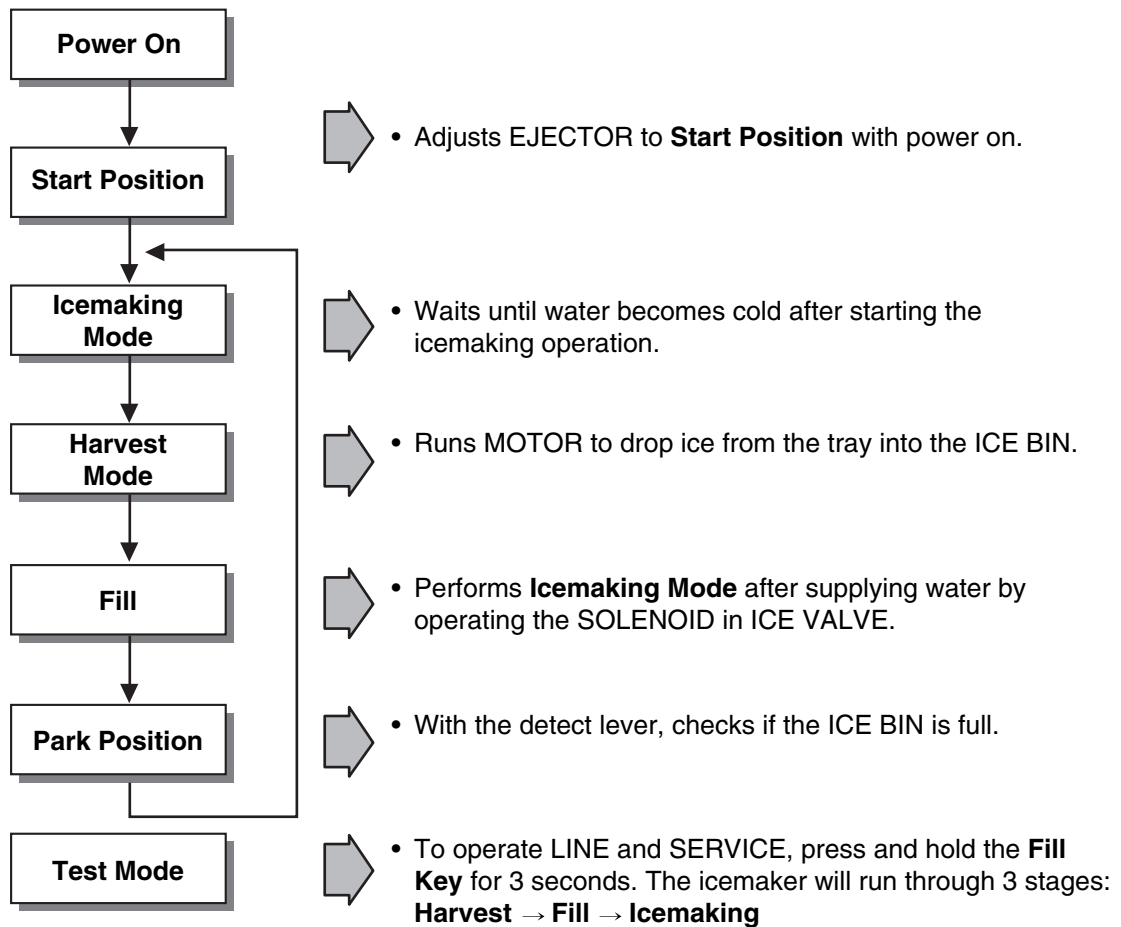


(The equalization test is trying to restart a compressor using a start kit after it has been operating.)

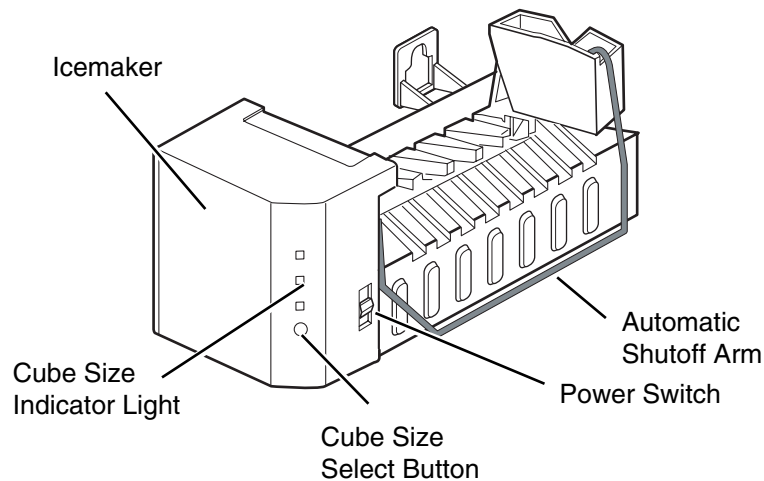
7. OPERATION PRINCIPLE AND REPAIR METHOD OF ICEMAKER

7-1 OPERATION PRINCIPLE

7-1-1 Operation Principle of Icemaker



1. Turning the icemaker stop switch off (O) stops the icemaking function.
2. Setting the icemaker switch to OFF and then turning it back on will reset the icemaker control.



7-2 ICE MAKER FUNCTIONS

7-2-1 Start Position

1. After POWER OFF or power outage, check the EJECTOR's position with MICOM initialization to restart.
2. How to check if it is in place:
 - Check **HIGH/LOW** signals from HALL SENSOR in MICOM PIN.
3. Control method to check if it is in place:
 - (1)EJECTOR is in place,
 - It is an initialized control, so the mode can be changed to ice making control.
 - (2)EJECTOR isn't in place:
 - A. If EJECTOR is back in place within 2 minutes with the motor on, it is being initialized. If not, go to step B.
 - B. If the heater does not return to operate by turning on and off five times for 5 minutes in one cycle, it is being initialized. If not, it is not functioning. Repeat step B with heater and motor off.

7-2-2 Icemaking Mode

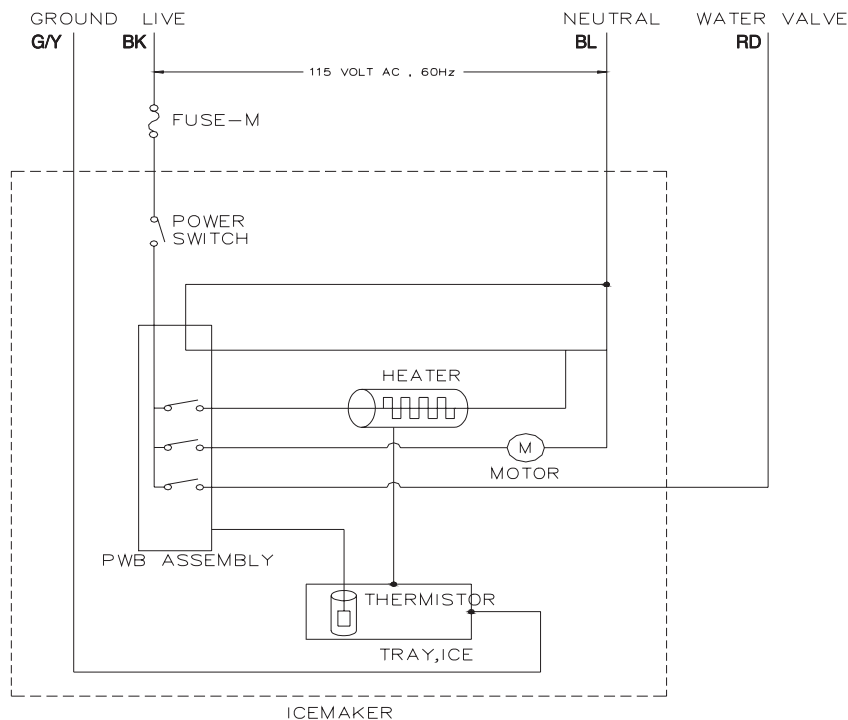
1. Icemaking refers to the freezing of supplied water in the ice trays. Complete freezing is assured by measuring the temperature of the Tray with the icemaking SENSOR.
2. Icemaking starts after completion of the water fill operation.
3. The icemaking function is completed when the sensor reaches -7°C , 60 minutes after starting.

NOTE : After icemaker power is ON, the icemaker heater will be on for test for 9 seconds.

7-2-3 Harvest Mode

1. Harvest (Ice removing) refers to the operation of dropping ice into the ice bin from the tray when icemaking has completed.
2. Harvest mode:
 - (1) The Heater is ON for 30 seconds, then the motor starts.
 - (2) Harvest mode is completed if it reaches start position again while the heater and motor are on at the same time.
 - A. ice bin is full : the motor, the heater and the ejector will not operate.
 - B. ice bin is not full : The ejector rotates once to open for ice.




NOTE : If the ejector does not rotate once within 5 minutes in status (2), a separate heater control mode starts operating to prevent the ejector from being constrained. (It is recommended that the user open for ice to return to normal mode.)



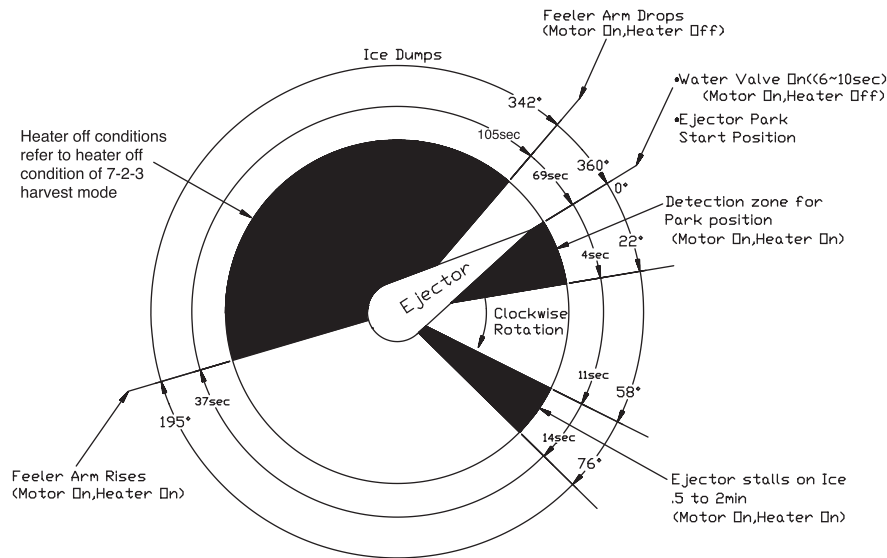
7-2-4 Fill/Park Position

1. Once a normal harvest mode has been completed, the water solenoid will be activated.
2. The amount of water is adjusted by pressing the fill key repeatedly. This changes the time allowed for fill as illustrated in the table below.

Water supply amount table

| STAGE | TIME TO SUPPLY | INDICATIONS | REMARKS |
|-------|----------------|---|--|
| 1 | 6 seconds |  | The water amount will vary depending on the water control switch setting, as well as the water pressure of the connected water line. |
| 2 | 7 seconds |  | |
| 3 | 8 seconds |  | |






NOTE : Below is an example used by another vendor as an explanation of what is taking place.



7-2-5 Function TEST


1. This is a compulsory operation for test, service, cleaning, etc. It is operated by pressing and holding the fill key for 3 seconds.
2. The test works only in the icemaking mode. It cannot be entered from the harvest or fill mode. (If there is an ERROR, it can be checked only in the test mode.)
3. Caution! If the test is performed before water in the icemaker is frozen, the ejector will pass through the water. When the fill mode begins (stage 4), unless the water supply has been shut off, added water will overflow into the ice bin. If the control doesn't operate normally in the test mode, check and repair as needed.
4. After water is supplied, the normal cycle is follows: **icemaking** → **harvest** → **fill** → **park position**.
5. Five seconds after stage 5 is completed, the icemaker returns to MICOM control. The time needed to supply water resets to the pre-test setting.

5 stage of diagnosis

| STAGE | ITEMS | INDICATOR | REMARKS |
|-------|---|---|---|
| 1 | HEATER |  | Five seconds after heater starts, heater will go off if temperature recorded by sensor is 50°F(10°C) of lever is in up position |
| 2 | MOTOR |  | Five seconds after heater starts, you can confirm that a motor is moving. |
| 3 | HALL IC I (detection of position) |  | You can confirm hall ic detection of start position. |
| 4 | VALVE |  | Two seconds after detection of start position, you can confirm that valve is on. |
| 5 | HALL IC I (detection of full-filled Ice) |  | You can check whether the Hall IC is sensing a full ice condition.(If there is a full-filled error, the fifth stage would no be progressed) |
| 6 | Reset | Mark previous status on TEST mode | Five seconds after fifth stage is completed, the icemaker resets to initial status. |

7-3 DEFECT DIAGNOSIS FUNCTION

7-3-1 ERROR CODE on water supply control panel at icemaker

| NO | DIVISION | INDICATOR | CONTENTS | REMARKS |
|----|-------------------------------|---|------------------------------|--|
| 1 | Normal | Mark time to supply | None | Display switch operates properly |
| 2 | Ice-Making Sensor malfunction |  | Open or short-circuited wire | Make sure that the wire on each sensor is connected. |

* ERROR indicators in table can be checked only in TEST mode.

8. DESCRIPTION OF FUNCTION & CIRCUIT OF MICOM

8-1 FUNCTION

8-1-1 Function

1. When the appliance is plugged in, it is set to 37 for Refrigerator and 0 for freezer.
You can adjust the Refrigerator and the Freezer control temperature by pressing the ADJUST button.
2. When the power is initially applied or restored after a power failure, it is automatically set to 37 & 0.

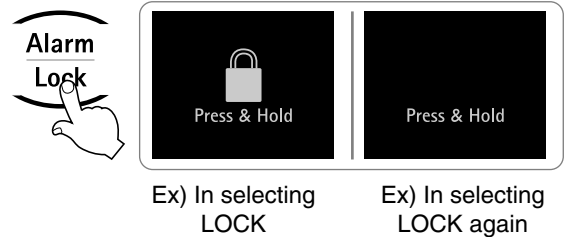


8-1-2 How to Change the Temperature Mode to °F / °C

1. The setting temperature mode can be changed to °F / °C by pressing and holding Freezer Temp. key of Freezer and Refrigerator Temp. key of Refrigerator over 5 seconds.
2. The initial setting is °F. Whenever the mode is changed, the LCD lights are changed.


8-1-3 Lock function (dispenser and display button lock)

1. In power application of refrigerator, the LOCK icon is turned off at the upper side of lock graphic of display with the lock release status.
2. If desiring to lock the display the dispenser and control panel push on the LOCK button more than 3 seconds. LOCK text is turned on at the upper side of lock graphic of display with lock status.
3. The buzzer sound and control panel and dispenser function is not performed even if pressing display button other than lock key in the lock status.
4. If desiring to release the lock status and pressing the lock button more than 3 seconds. LOCK icon is turned off at the upper side of lock graphic of display with the lock release status.



8-1-4 Filter condition display function

1. There is a replacement indicator icon for the water filter cartridge on the dispenser.
2. Water filter needs replacement every months.
3. Water filter icon turns on to tell you need to replace the filter soon.
4. After replace the filter, press and hold the lock button more than 3 seconds. Then water filter light turns off with reset status.

| | | |
|-----------------------|------------------------------------|---|
| Classification | In initial Power On / Filter RESET | Replace indicator light on |
| | Filter Status Display |  Press & Hold |

8-1-5 Ultra Ice selection

- Please select this function for prompt freezer.
- Function is repeated following below whenever pressing Ultra Ice button.
 - Ultra Ice function automatically turns off if a fixed time passes.



8-1-6 CONTROL OF FREEZER FAN MOTOR

- Freezer fan motor has high and standard speeds.
- High speed is used at power-up, for Ultra Ice, and when refrigerator is overloaded.
Standard speeds is used for general purposes.
- To improve cooling speed, the RPM of the freezer fan motor change from normal speed to high.
- High speed (2700RPM) : Initial power on or load corresponding operation, Ultra Ice.
Normal speed (2400RPM) : General working conditions.
- Fan motor stops when refrigerator or freezer door opens.

8-1-7 Ultra Ice

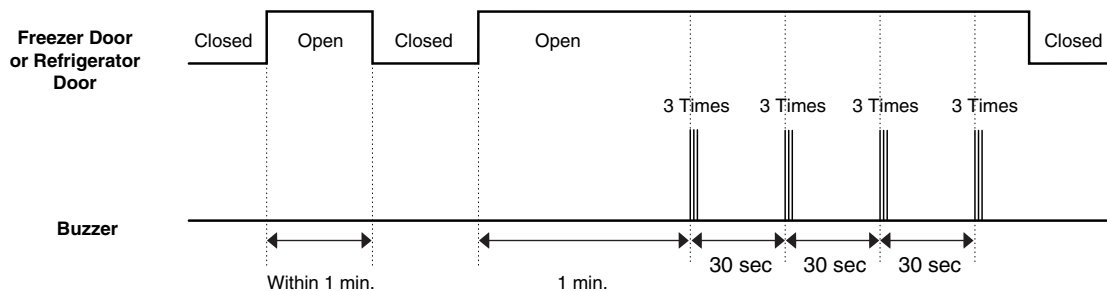
- The purpose of this function is to intensify the cooling speed of freezer and to increase the amount of ice.
- When Ultra Ice is selected, LCD will remain ON for Ultra Ice Cycle.
- If power is lost to the refrigerator, Ultra Ice function will be canceled.
- To activate this function, to press the Ultra Ice key and the LCD will turn ON. This function will remain activated for 24 hours.
The first three hours the compressor and Freezer Fan will be ON. The next 21 hours the freezer will be controlled at the lowest temperature. After 24 hours or if the Ultra Ice key is pressed again, the freezer will return to its previous temperature.
- For the first three hours notice the following cases:
 - (1) Compressor and freezer fan (HIGH RPM) continuously operate for three hours.
 - (2) If defrost starts during Ultra Ice, Ultra Ice operates for the rest of time after defrost is completed, when Ultra Ice operation time is less than 90 minutes.
If Ultra Ice operates for more than 90 minutes, the Ultra Ice will operate for two hours after defrost is completed.
 - (3) If Ultra Ice is pressed during defrost, Ultra Ice LCD is on but this function will start seven minutes after defrost is completed and it shall operate for three hours.
 - (4) If Ultra Ice is selected within seven minutes after compressor has stopped, the compressor (compressor delays seven minutes) shall start after the balance of the delay time.
 - (5) The fan motor in the freezer compartment runs at high speed during Ultra Ice .
- For the rest of the 21 hours, the freezer will be controlled at the lowest temperature.

8-1-8 REFRIGERATOR LAMP AUTO OFF

- To avoid heat damage caused by the lamp, it is turned off automatically when the refrigerator door is open for more than 7 minutes.

8-1-9 Alarm for Open Door

- This feature sounds a buzzer when the freezer or refrigerator door is not closed within 1 minute after it is opened.
- One minute after the door is opened, the buzzer sounds three half-second beeps. These tones repeat every 30 seconds.
- The alarm is cancelled when the freezer or the refrigerator is closed while the buzzer sounds.



8-1-10 Buzzer Sound

When the button on the front Display is pushed, a Ding~ Dong~ sound is produced.

8-1-11 Defrost cycle

1. A defrost cycle will be initiated after 4 hours of accumulated compressor run time after the initial power up or a power failure.
2. After the initial defrost, the defrost cycle is initiated between 7~50 hours and 50 hours of accumulated compressor run time according to door open time.
3. The defrost cycle will be terminated once the defrost sensor reaches 46° F (8° C).

8-1-12 Filter Replacement Indication

1. After 6 months since the UNIT (refrigerator) has been powered on, the water filter icon is turned ON.
2. When the water filter indicator LCD is illuminated, you should change the water filter. After this, you must press the water filter button for three seconds and you will hear a ding-dong sound.
The icon will be OFF. This operation will indicate that the UNIT is reset to its initial conditions, so this process is restarted.

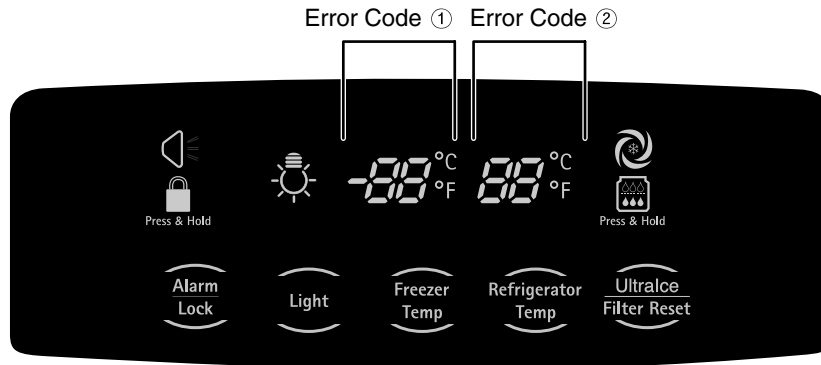
8-1-13 DISPENSER LIGHT

Please select this function for DISPENSER LIGHT MODE.

1. Normal status (LIGHT icon is OFF) : When dispenser is operated, DISPENSER LIGHT is ON.
2. ON status (LIGHT icon is ON) : DISPENSER LIGHT is on continuously.

8-1-13 Automatic Diagnosis Function

1. Automatic diagnosis makes servicing the refrigerator easy.
2. When an error occurs, the buttons will not operate; but the tones. such as ding. will sound.
3. When the error CODE removes the sign, it returns to normal operation (RESET).
4. The error CODE shows on the refrigerator and freezer display.



ERROR CODE on display panel

| NO | ITEM | ERROR CODE | | CONTENTS | REMARKS |
|----|---|------------|----|--|---|
| | | ① | ② | | |
| 1 | Failure of freezer sensor | Er | FS | Cut or short circuit wire | Inspect Connecting wires on each sensor |
| 2 | Failure of Refrigerator sensor | Er | rS | Cut or short circuit wire | |
| 3 | Failure of defrost sensor | Er | dS | Cut or short circuit wire | |
| 4 | Failure of Room Temperature sensor | * NOTE 1 | | Cut or short circuit wire | |
| 5 | Failure of defrost mode | Er | dH | When defrost sensor doesn't reach 46°F (8°C). within 1 hour after starting defrost | Snapping of defrost heater or Temperature fuse, pull-out of connector (indicated minimum 1 hour after failure occurs) |
| 6 | Failure of BLDC Fan Motor at Freezing Compartment | Er | FF | If there is no fan motor signal for more than 65sec in operation fan motor | Poor motor, hooking to wires of fan, contact of structures to fan, snapping or short circuit of Lead wires |
| 7 | Failure of BLDC Fan Motor a Mechanical Room | Er | CF | If there is no fan motor signal for more than 65sec in operation fan motor | Poor motor, hooking to wires of fan, contact of structures to fan, snapping or short circuit of Lead wires |
| 8 | Failure of communication | Er | CO | If there is no signal for Communication between Main PCB and display PCB | Short or open of lead wire connecting between main PCB and display PCB, transmission TR and receiving part |

* NOTE1) In case of Room Temperature Sensor Error, "Er r" appears on the Display when Ultra Ice button and Freezer Temp button pressed at the same time for one second.

* LCD check function : If simultaneously pressing Ultra Ice button and freezing temperature adjustment button for a second, display LCD graphics on. If releasing the button, the LCD graphic displays the previous status.

8-1-14 TEST Mode

1. The test mode allows checking the PCB and the function of the product as well as finding out the defective part in case of an error.
2. The test mode is operated by pressing test buttons at main PCB controller.
3. While in the test mode, the function control button is not recognized, but the recognition tone (beep~) sounds.
4. After exiting the test mode, be sure to reset by unplugging and then plugging in the appliance.
5. If an error, such as a sensor failure, is detected while in the test mode, the test mode is cleared and the error code is displayed.
6. While an error code is displayed, the test mode will not be activated.

| MODE | MANIPULATION | CONTENTS | REMARKS |
|-------|--|---|--|
| TEST1 | Push TEST Switch (in the main board) once. | 1) Continuous operation of the COMPRESSOR and the Freezer fan 2) Stepping DAMPER OPNE 3) Defrosting HEATER OFF 4) DISPLAY LCD all ON | |
| TEST2 | Push TEST Switch once in TEST MODE 1 | 1) Continuous operation of the COMPRESSOR and the Freezer fan 2) Stepping DAMPER OPNE 3) Defrosting HEATER OFF 4) DISPLAY LCD shows no.2 | |
| TEST3 | Push TEST Switch once in TEST MODE 2 | 1) Continuous operation of the Freezer fan OFF 2) Stepping DAMPER OPNE 3) Defrosting HEATER ON 4) DISPLAY LCD shows no.3 | Reset if the Temperature of the Defrosting Sensor is 46°F (8°C) or more. |
| RESET | Push TEST Switch once in TEST MODE 3 | Reset to the previously setting Before TEST MODE. | The compressor will Start after a 7-minute delay. |

* Freezer Fan RPM Variable Check:

In case the freezer fan is in operation when the Ultra Ice button and freezing temp. button are pressed for more than one second at the same time freezer fan RPM changes. (for example if high speed to normal speed or if normal speed, to high speed for 30 seconds)

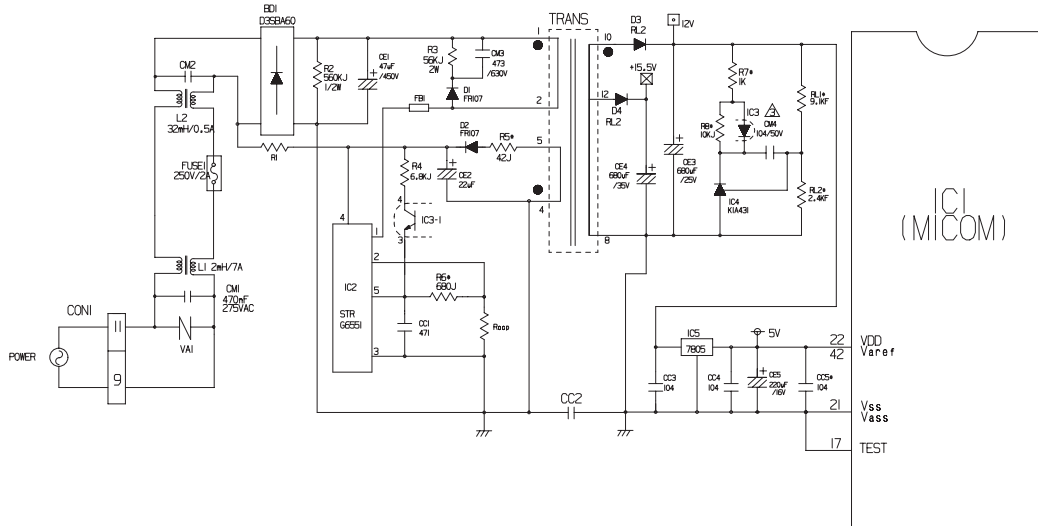
After 30 seconds, it turns to its original RPM.

* Demonstration MODE:

1. After opening the door, when the Ultra Ice button and the Refrigerator Temperature Control button are pushed at the same time and hold for 5 seconds or longer, it converts to Demonstration Mode.
2. The Display shows OFF in F/R temperature display.
3. In this status, all Loads are off (Compressor / Fan / Damper / Heater)
(The refrigerator Lamp automatic off function works normally and can be demonstrated)
4. To release demonstration mode, reset display by pressing the Ultra Ice button and the Refrigerator Temperature Control button at the same time and holding for 5 seconds or longer in status of open the door.

8-2 PCB FUNCTION

8-2-1 Power Circuit

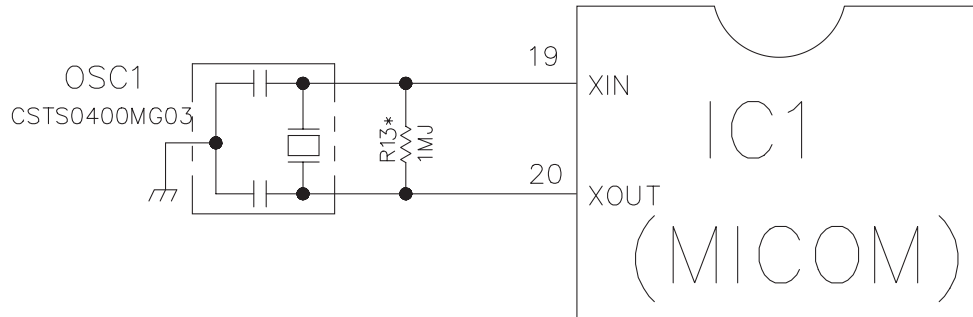


The secondary part of the TRANSFORMER is composed of the power supply for the display, the BLDC FAN Motor drive (15.5 V), the relay drive (12 Vdc) and the MICOM and IC (5 Vdc).
The voltage for each part is as follows:

| PART | VA 1 | CE 3 | CE 4 | CE 5 |
|---------|---------|--------|----------|------|
| VOLTAGE | 115 Vac | 12 Vdc | 15.5 Vdc | 5 V |

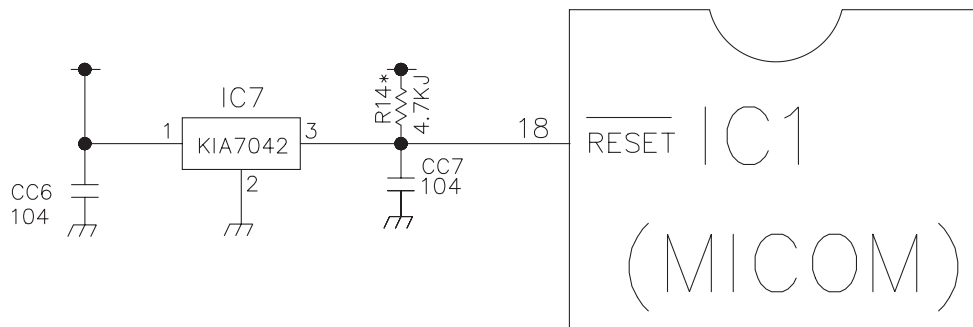
VA1 is a part for preventing over voltage and noise. When 385V or higher power is applied, the inside elements are short-circuited and broken, resulting in blowout of the fuse in order to protect the elements of the secondary part of the TRANSFORMER.

8-2-2 Oscillation Circuit



This circuit generates the base clock for calculating time and the synchro clock for transmitting data from and to the inside logic elements of the IC1 (MICOM). Be sure to use specified replacement parts, since calculating time by the IC1 may be changed. If changed, the OSC1 SPEC will not work.

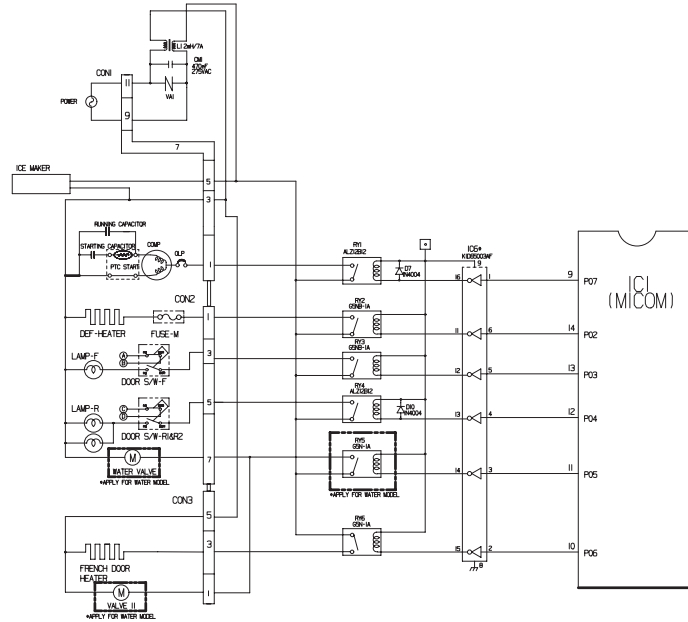
8-2-3 Reset Circuit



The RESET circuit allows all the functions to start at the initial conditions by initializing various parts, including the RAM inside the MICOM (IC1) when the power is initially supplied or the power supply to the MICOM is restored after a momentary power failure. For the initial 10ms of power supply, LOW voltage is applied to the MICOM RESET terminal. During a normal operation, 5V is applied to the RESET terminal. (If a malfunction occurs in the RESET IC, the MICOM will not operate.)

8-2-2 Load / Buzzer Drive & Open Door Detection Circuit

1. Load Drive Condition Check



| Circuit | Pin Number | Pin Number | Output Voltage |
|-----------------------|--------------------|------------|----------------|
| Compressor | Con1 pin1 | Con1 pin3 | 115 VAC |
| Defrost heater | Con2 pin1 | Con1 pin3 | 115 VAC |
| F,R-lamp | Con2, pins 3 and 5 | Con1 pin3 | 115 VAC |
| Water valve | Con2 pin7 | Con1 pin3 | 115 VAC |
| French Door | Con3 pin3 | Con1 pin3 | 115 VAC |
| Heater Water valve II | Con3 pin1 | Con1 pin3 | 115 VAC |

To measure outputs of the control board, check voltages between the pins for the following components:

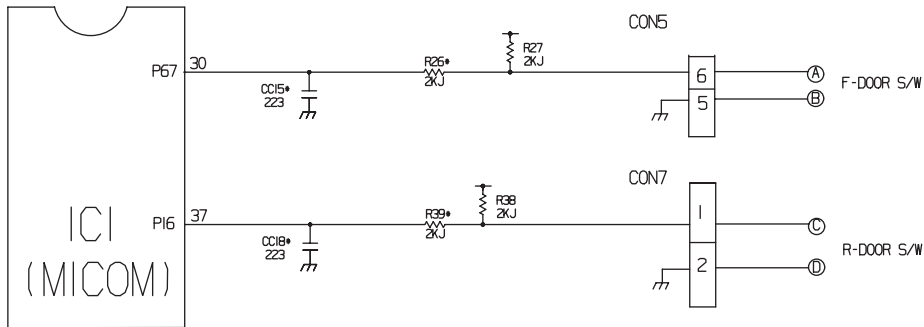
NOTE: When the door of the freezer/refrigerator is left open for 7 minutes or longer, the lamp turns off automatically.

2. Fan motor driving circuit (freezing compartment fan, mechanical room)

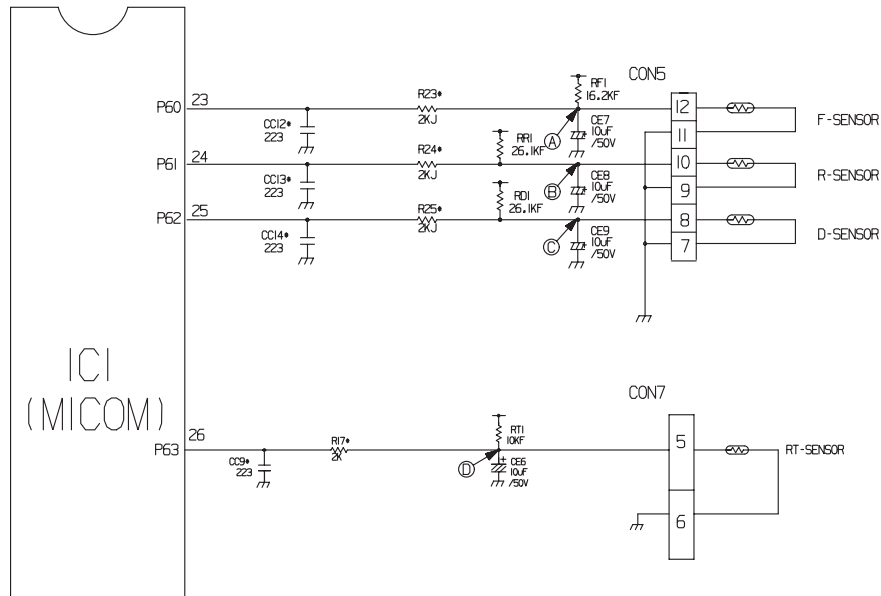
1. This circuit makes standby power 0 by cutting off power supplied to ISs inside of the fan motor in the fan motor OFF.
2. This is a circuit to perform a temporary change of speed for the fan motor and applies DC voltage up to 7.5V ~ 16V to motor.
3. This circuit prevents over-driving the fan motor by cutting off power applied to the fan motor in the lock of fan motor by sensing the operation RPM of the fan motor.

| | F-FAN | C-FAN |
|------------|------------------|------------------|
| Pin Number | Pin1 & 2 of con4 | Pin4 & 5 of con4 |
| MOTOR OFF | 2V or less | 2V or less |
| MOTOR ON | 13V ~ 15V | 11V ~ 15V |

3. Open Door Detection Circuit Check



8-2-3 Temperature Sensor Circuit



The upper circuit reads refrigerator temperature, freezer temperature, and defrost sensor temperature for defrosting and the indoor temperature for compensating for the surrounding temperature into MICOM. Opening or short state of each temperature sensor are as follows:

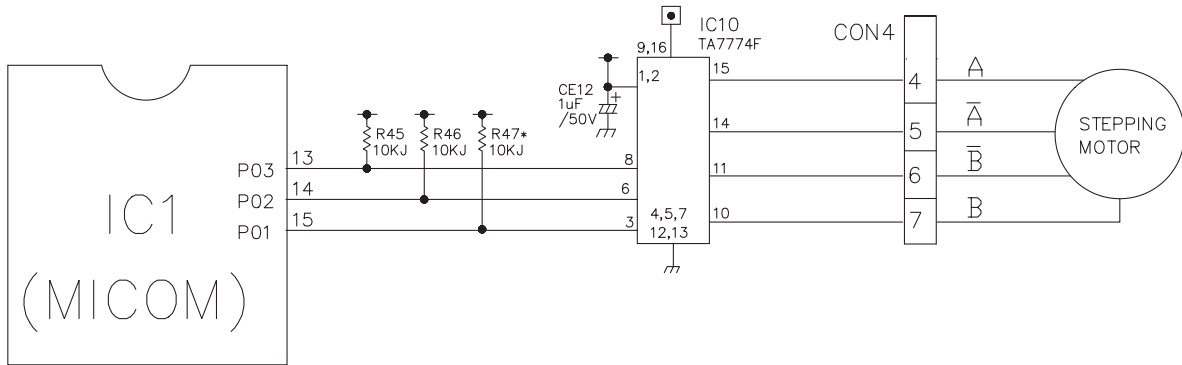
| SENSOR | CHECK POINT | NORMAL (-30°C ~ 50°C) | SHORT-CIRCUITED | OPEN |
|-------------------------|-----------------|-----------------------|-----------------|------|
| Freezer sensor | POINT ① Voltage | 0.5 V ~ 4.5 V | 0 V | 5 V |
| Refrigerator sensor | POINT ② Voltage | | | |
| Defrosting sensor | POINT ③ Voltage | | | |
| Room Temperature sensor | POINT ④ Voltage | | | |

8-2-4 Refrigeration Compartment Stepping Motor Damper Circuit

A reversible DC motor is used to open and close the damper.

To open the damper, push test button once.

To close the damper, push test button twice.



8-3 RESISTANCE SPECIFICATION OF SENSOR

| TEMPERATURE | RESISTANCE OF FREEZER SENSOR | RESISTANCE OF REFRIGERATOR & DEFROST SENSOR & ROOM SENSOR |
|-------------|------------------------------|---|
| - 20 °C | 22.3 kΩ | 77 kΩ |
| - 15 °C | 16.9 kΩ | 60 kΩ |
| - 10 °C | 13.0 kΩ | 47.3 kΩ |
| - 5 °C | 10.1 kΩ | 38.4 kΩ |
| 0 °C | 7.8 kΩ | 30 kΩ |
| + 5 °C | 6.2 kΩ | 24.1 kΩ |
| + 10 °C | 4.9 kΩ | 19.5 kΩ |
| + 15 °C | 3.9 kΩ | 15.9 kΩ |
| + 20 °C | 3.1 kΩ | 13 kΩ |
| + 25 °C | 2.5 kΩ | 11 kΩ |
| + 30 °C | 2.0 kΩ | 8.9 kΩ |
| + 40 °C | 1.4 kΩ | 6.2 kΩ |
| + 50 °C | 0.8 kΩ | 4.3 kΩ |

- The resistance of the SENSOR has a $\pm 5\%$ tolerance.
- Measure the resistance of the SENSOR after leaving it for over 3 minutes in the measuring temperature. This delay is necessary due to sensor response speed.

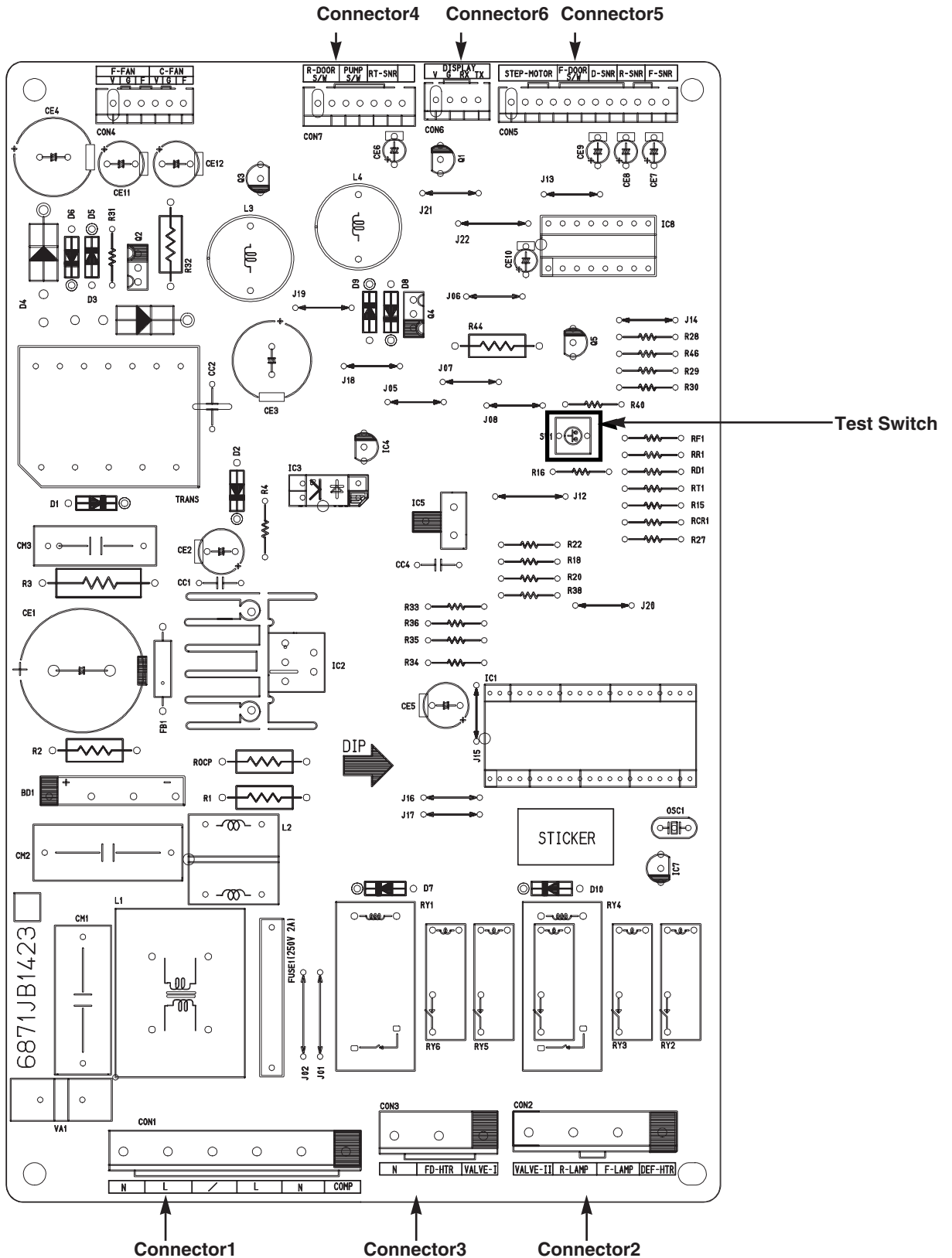
8-3 TROUBLESHOOTING

| PROBLEM | INDICATED BY | CHECK | CHECKING METHOD | CAUSE | SOLUTION | |
|-----------------------------|--|---|--|--|--|-------------------------|
| POWER SOURCE is poor. | 1. The whole DISPLAY LCD is off. 2. DISPLAY LCD DISPLAY operates abnormally | 1. FREEZER/ REFRIGERATOR. | Check if FREEZER/REFRIGERATOR DOOR IS OPEN and check display. | POWER SOURCE is poor. | Use boosting TRANS. | |
| | | 2. If LAMP is dim. | Check visually. | Applied voltage error. | Reconnect CONNECTOR. | |
| | | 3. The connection of the MAIN PWB CONNECTOR. | Check connection of CONNECTOR. | CONNECTOR connection is poor. TRANS FUSE is open. | Replace TRANS. Replace COMPRESSOR. | |
| COOLING is poor. | NO COOLING. | 1. If the COMPRESSOR operates. | USE TEST MODE1 (forced COOLING). If less than 7 minutes pass after compressor shuts off, don't press the KEY and wait. | COMPRESSOR locked or blocked. | Replace OLP, PTC. | |
| | | | | OLP, PTC is poor. COMPRESSOR RELAY is poor. | Replace MAIN PWB. | |
| | | | | THE CONNECTING WIRE is poor. | Check the connection of the black wire of the MAIN PWB CONNECTOR (CON1). | |
| | 2. If refrigerant is leaking. | Measure the amount of frost sticking on EVAPORATOR and the surface temperature of the condenser pipe. | Refrigerant leakage. | Replace the leaking part and replace any lost refrigerant. | | |
| | FREEZER TEMPERATURE is incorrect | 1. If FAN MOTOR operates. | USE TEST MODE1 (forced COOLING). | FAN MOTOR is poor. | Replace the FAN MOTOR. | |
| | | | | CONNECTING WIRE is poor. | Certify the MOTOR and the connection of the black wire of the MAIN PWB CONNECTOR (CON1). | |
| 2. If DEFROSTING is normal. | | | | Check the amount of frost sticking on the EVAPORATOR . | DEFROSTING is poor. | See DEFROSTING is poor. |
| 3. If SENSOR is normal. | | | | of the Refrigerator SENSOR. | SENSOR RESISTANCE is poor. | Replace SENSOR. |
| 4. Door liner contact. | Check the seal when the door is closed. | Door liner damaged. | Replace door liner. | | | |

| PROBLEM | INDICATED BY | CHECK | CHECKING METHOD | CAUSE | SOLUTION |
|--|---|--|--|---------------------------------|---|
| COOLING is poor. | If REFRIGERATOR TEMPERATURE is too low. | 1. If FREEZER TEMPERATURE is normal. | Check is FREEZER TEMPERATURE is too low. | | Make sure the DOOR is attached. |
| | | 2. If amount of cool air from FAN MOTOR is sufficient. | Make sure that the amount and speed of cool air are sufficient by touching the check supplied on the REFRIGERATOR. | FAN MOTOR is poor. | Replace FAN MOTOR. |
| | | | | Passage of cool air is blocked. | Remove impurities. |
| | | 3. Door Line contact. | Check door seal when door is closed. | Evaporator frozen. | See DEFROSTING is poor. |
| DEFROSTING is poor. | NO DEFROSTING. | 1. If HEATER emits heat. | USE TEST MODE3 (forced DEFROSTING). | HEATER disconnection. | Replace HEATER. |
| | | | | TEMPERATURE FUSE disconnection. | Replace TEMPERATURE FUSE. |
| | | | | Connection is poor. | Check EVAPORATOR connection and wire of MAIN PWB CONNECTOR. |
| | | | | DEFROST-SENSOR is poor. | Replace DEFROST-SENSOR. |
| | | | | HEATER RELAY is poor. | Replace RY2 of MAIN PWB. |
| | | 2. If DRAIN PIPE is blocked. | Check DRAIN PIPE. | DRAIN PIPE is blocked. | Remove ice and impurities. |
| | | | | | Check HEATER PLATE resistance. |
| | | 3. If ice remains after DEFROSTING. | Make sure that DEFROST SENSOR is connected. | Connection is poor. | Reassemble the DEFROST-SENSOR. |
| Make sure that FREEZER /REFRIGERATOR DOOR is closed. | DOOR does not close properly. | | | | Reassemble DOOR. Replace GASKET. |

8-4 MAIN PWB ASSEMBLY AND PARTS LIST

8-4-1 Main PWB Assembly





REPAIR PARTS LIST

MODELS No.

- 795.78542.805
- 795.78543.805
- 795.78544.805
- 795.78546.805
- 795.78549.805
- 795.78552.805
- 795.78553.805
- 795.78554.805
- 795.78556.805
- 795.78559.805

The model number of your refrigerator is found on the serial plate inside.

All repair parts listed are available for immediate purchase or special order when you visit your nearest Sears Service Center, or the Service Department at most Sears stores. To order parts by phone, call the toll free parts number listed to the left.

When requesting service or ordering parts, always provide the following information:

- Product Type • Part Number
- Model Number • Part Description

(Last Revision: January. 15. 2009)

To call Toll Free For Parts:

1-800-366-PART
(1-800-366-7278)

For Service:

1-800-4-MY-HOME
(1-800-469-4663)

Sears, Roebuck and Co., Hoffman Estates, IL 60179 U.S.A.

Get it fixed, at your home or ours!

Your Home

For repair—in your home—of all major brand appliances, lawn and garden equipment, or heating and cooling systems, **no matter who made it, no matter who sold it!**

For the replacement parts, accessories and owners manuals that you need to do-it-yourself.

For Sears professional installation of home appliances and items like garage door openers and water heaters.

1-800-4-MY-HOME (1-800-469-4663)

Call anytime, day or night (U.S.A. and Canada)

www.sears.com www.sears.ca

Our Home

For repair of carry-in items like vacuums, lawn equipment, and electronics, call or go on-line for the location of your nearest **Sears Parts & Repair Center.**

1-800-488-1222

Call anytime, day or night (U.S.A. only)

www.sears.com

To purchase a protection agreement (U.S.A.) or maintenance agreement (Canada) on a product serviced by Sears:

1-800-827-6655 (U.S.A.)

1-800-361-6665 (Canada)

Para pedir servicio de reparaci n a domicilio, y para ordenar piezas:

1-888-SU-HOGARSM
(1-888-784-6427)

Au Canada pour service en fran ai s:

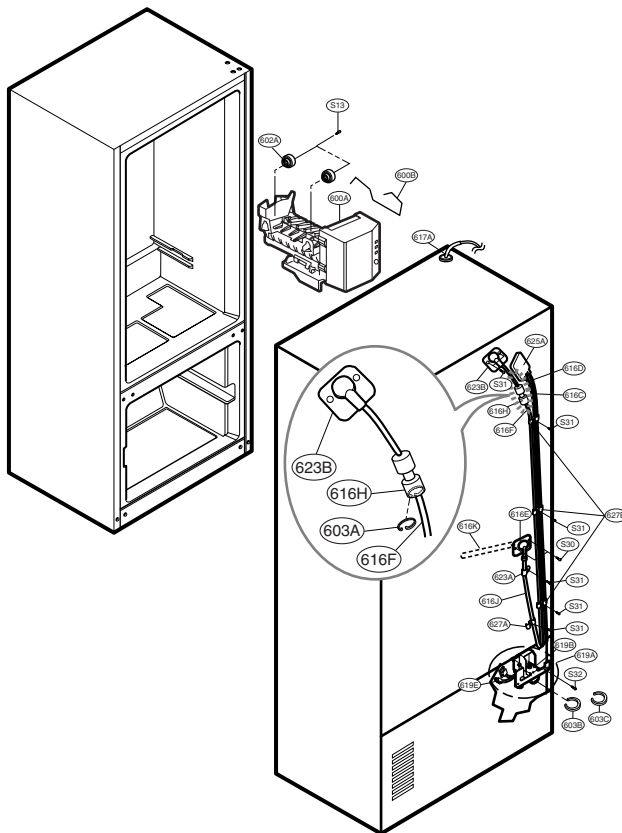
1-800-LE-FOYERSM
(1-888-533-6937)
www.sears.ca



© Registered Trademark / TM Trademark / SM Service Mark of Sears, Roebuck and Co.
© Marca Registrada / TM Marca de F bri ca / SM Marca de Servicio de Sears, Roebuck and Co.
MC Marque de commerce / MD Marque d pos e de Sears, Roebuck and Co.

© Sears, Roebuck and Co.

ICEMAKER PARTS



| LOC No. | 785** | Description |
|---------|-------------|------------------------|
| 600A | AEQ57518202 | Ice Maker Assembly,Kit |
| 600B | MFC39371401 | Lever,Ice Maker |
| 603A | 4930JA3093B | Holder,Bracket |
| 603B | 4930JA3091A | Holder,Bracket |
| 603C | 4004JA3002A | Clip |
| 616C | 5210JA3004U | Tube,Plastic |
| 616E | 5211JA3003E | Tube Assembly,Inject |
| 616F | 5210JA3004R | Tube,Plastic |
| 616H | MCD38280804 | Connector,Tube |
| 616K | MJU47992202 | Tube,Inject |
| 617A | 4970JA3004Q | Spring |
| 619A | AJU72909001 | Valve Assembly,Water |
| 619B | 5221JB2006K | Valve Assembly,Water |
| 619E | 6877JK2014B | Drawing,Assembly |
| 623A | 4770JA3001A | Band |
| 623B | 5006JJ2009A | Cap,Cover |
| 625A | 3550JA2184B | Cover,Tube |
| 627A | 4930JJ3018A | Holder,Pipe |
| 602A | 4930JA3090A | Holder,Bracket |
| 616D | 5210JA3005Q | Tube,Plastic |
| 627B | 4930JA3054A | Holder,Pipe |
| 616J | 5210JA3005N | Tube,Plastic |
| S30 | 1SZZJJ3003D | Screw,Cus tomized |
| S31 | 4J00415D | Screw,Cus tomized |
| S32 | 4000W4A003A | Screw,Cus tomized |

CAUTION: Use the part number to order the part, not the position number.

CASE PARTS

| LOC No. | 785*3 | 785*6 | 785*2 | 785*9 | 785*4 | Description |
|---------|-------------|-------------|-------------|-------------|-------------|---------------------------------------|
| 103A | 3650JA2061X | 3650JA2061X | 3650JA2061B | 3650JA2113N | 3650JA2061V | Handle,Rear |
| 103B | 3650JA2061W | 3650JA2061W | 3650JA2061A | 3650JA2113P | 3650JA2061U | Handle,Rear |
| 103C | ACQ55957504 | ACQ55957504 | ACQ55957501 | ACQ55957503 | ACQ55957502 | Cover Assembly, Lower |
| 105A | 5251JA3003D | 5251JA3003D | 5251JA3003D | 5251JA3003D | 5251JA3003D | Tube As s embly,Drain |
| 106A | AFC72909201 | AFC72909201 | AFC72909201 | AFC72909201 | AFC72909201 | Leg As s embly,Adjust |
| 120A | ADJ36702003 | ADJ36702003 | ADJ36702003 | ADJ36702003 | ADJ36702003 | Duct Assembly, Multi |
| 120B | MCZ47932701 | MCZ47932701 | MCZ47932701 | MCZ47932701 | MCZ47932701 | Duct,Multi |
| 135C | 3550JA2263A | 3550JA2263A | 3550JA2263A | 3550JA2263A | 3550JA2263A | Cover,Grille Fan |
| 145A | 4930JA2080C | 4930JA2080C | 4930JA2080C | 4930JA2080C | 4930JA2080C | Holder,Shelf |
| 145B | 4930JA2081C | 4930JA2081C | 4930JA2081C | 4930JA2081C | 4930JA2081C | Holder,Shelf |
| 152B | MCK39131501 | MCK39131501 | MCK39131501 | MCK39131501 | MCK39131501 | Cover,Sensor |
| 158A | 3550JJ1070B | 3550JJ1070B | 3550JJ1070B | 3550JJ1070B | 3550JJ1070B | Cover,Lamp |
| 158B | 3550JA1386B | 3550JA1386B | 3550JA1386B | 3550JA1386B | 3550JA1386B | Cover,Lamp |
| 207A | 3550JJ1097Q | 3550JJ1097Q | 3550JJ1097Q | 3550JJ1097E | 3550JJ1097C | Cover,Hinge |
| 207B | 3550JJ1097R | 3550JJ1097R | 3550JJ1097F | 3550JJ1097F | 3550JJ1097D | Cover,Hinge |
| 249C | MEG56923601 | MEG56923601 | MEG56923601 | MEG56923601 | MEG56923601 | Holder, Rail |
| 249D | MEG56923602 | MEG56923602 | MEG56923602 | MEG56923602 | MEG56923602 | Holder, Rail |
| 262B | AEH71135346 | AEH71135346 | AEH71135346 | AEH71135350 | AEH71135346 | Hinge As s embly,Center |
| 262H | AEH71135348 | AEH71135348 | AEH71135348 | AEH71135352 | AEH71135348 | Hinge As s embly,Center |
| 271B | AEH60614102 | AEH60614102 | AEH60614102 | AEH60614102 | AEH60614102 | Hinge As s embly,Upper |
| 271D | AEH60614101 | AEH60614101 | AEH60614101 | AEH60614101 | AEH60614101 | Hinge As s embly,Upper |
| 282G | 5006JA3111A | 5006JA3111A | 5006JA3111A | 5006JA3111A | 5006JA3111A | Cap,Duct |
| 282F | MBL38019501 | MBL38019501 | MBL38019501 | MBL38019501 | MBL38019501 | Cap,Duct |
| 300A | TCA34638901 | TCA34638901 | TCA34638901 | TCA34638901 | TCA34638901 | Compressor,Assembly |
| 302B | 5421JJ1003B | 5421JJ1003B | 5421JJ1003B | 5421JJ1003B | 5421JJ1003B | Evaporator Assembly |
| 303A | EBG31940241 | EBG31940241 | EBG31940241 | EBG31940241 | EBG31940241 | Thermistor Assembly,PTC |
| 303B | EBG60658602 | EBG60658602 | EBG60658602 | EBG60658602 | EBG60658602 | Thermistor Assembly,PTC |
| 303C | 6750C-0004U | 6750C-0004U | 6750C-0004U | 6750C-0004U | 6750C-0004U | Overload Protect |
| 304A | 3550C-0042C | 3550C-0042C | 3550C-0042C | 3550C-0042C | 3550C-0042C | Cover,Relay |
| 309B | 5040JJ2001A | 5040JJ2001A | 5040JJ2001A | 5040JJ2001A | 5040JJ2001A | Damper,Motor Support |
| 310B | 4J00977P | 4J00977P | 4J00977P | 4J00977P | 4J00977P | Pipe,Compressor |
| 312A | 5040JA3071A | 5040JA3071A | 5040JA3071A | 5040JA3071A | 5040JA3071A | Damper,Compressor |
| 312C | 3391JJ2013B | 3391JJ2013B | 3391JJ2013B | 3391JJ2013B | 3391JJ2013B | Tray Assembly,Drain |
| 313A | 3551JJ2018A | 3551JJ2018A | 3551JJ2018A | 3551JJ2018A | 3551JJ2018A | Cover Assembly,Machinery(Rear) |
| 314A | 4620JA3015A | 4620JA3015A | 4620JA3015A | 4620JA3015A | 4620JA3015A | Stopper,Compressor |
| 315A | 3103JJ1001H | 3103JJ1001H | 3103JJ1001H | 3103JJ1001H | 3103JJ1001H | Base Assembly,Compressor |
| 315B | 4580JJ3001A | 4580JJ3001A | 4580JJ3001A | 4580JJ3001A | 4580JJ3001A | Roller |
| 315C | 1PZZJA3013B | 1PZZJA3013B | 1PZZJA3013B | 1PZZJA3013B | 1PZZJA3013B | Pin,Common |
| 316A | 5072JA3003F | 5072JA3003F | 5072JA3003F | 5072JA3003F | 5072JA3003F | Damper,Noise |
| 316B | 5072JA3003B | 5072JA3003B | 5072JA3003B | 5072JA3003B | 5072JA3003B | Damper,Noise |
| 317A | 5851JA2007J | 5851JA2007J | 5851JA2007J | 5851JA2007J | 5851JA2007J | Drier Assembly |
| 318A | 4930JA3034A | 4930JA3034A | 4930JA3034A | 4930JA3034A | 4930JA3034A | Holder,Drier |
| 319A | MJS37355401 | MJS37355401 | MJS37355401 | MJS37355401 | MJS37355401 | Tray,Drip |
| 319C | MEA42257901 | MEA42257901 | MEA42257901 | MEA42257901 | MEA42257901 | Guide,Fan |
| 323B | ACG36653801 | ACG36653801 | ACG36653801 | ACG36653801 | ACG36653801 | Condenser Assembly,Wire |
| 329A | 5901JA1021A | 5901JA1021A | 5901JA1021A | 5901JA1021A | 5901JA1021A | Fan Assembly |
| 329C | ADP36665701 | ADP36665701 | ADP36665701 | ADP36665701 | ADP36665701 | Fan Assembly |
| 332A | 3530JJ0007A | 3530JJ0007A | 3530JJ0007A | 3530JJ0007A | 3530JJ0007A | Grille,Fan |
| 400A | 6615JB2005H | 6615JB2005H | 6615JB2005H | 6615JB2005H | 6615JB2005H | Controller Assembly |
| 402A | 6600JB3007B | 6600JB3007B | 6600JB3007B | 6600JB3007E | 6600JB3007A | Switch,Push Button |
| 404A | 4681JB1027H | 4681JB1027H | 4681JB1027H | 4681JB1027H | 4681JB1027H | MOTOR,DC |
| 407B | 4810JJ0003B | 4810JJ0003B | 4810JJ0003B | 4810JJ0003B | 4810JJ0003B | Bracket,Motor |
| 405B | 4810JA2129B | 4810JA2129B | 4810JA2129B | 4810JA2129B | 4810JA2129B | Bracket,Motor |
| 405C | 5040JA2009B | 5040JA2009B | 5040JA2009B | 5040JA2009B | 5040JA2009B | Damper,Motor Support |
| 405F | 5040JA2004B | 5040JA2004B | 5040JA2004B | 5040JA2004B | 5040JA2004B | Harpner, Single |
| 406B | 6600JB1010A | 6600JB1010A | 6600JB1010A | 6600JB1010A | 6600JB1010A | Switch,Push Button |
| 406D | 4931JA3006A | 4931JA3006A | 4931JA3006A | 4931JA3006A | 4931JA3006A | Holder Assembly,Gasket |
| 408A | 5300JK1005D | 5300JK1005D | 5300JK1005D | 5300JK1005D | 5300JK1005D | Heater,Sheath |
| 409B | 6912JB2004K | 6912JB2004K | 6912JB2004K | 6912JB2004K | 6912JB2004K | Lamp, Incandescent |
| 409D | 3034JA1009A | 3034JA1009A | 3034JA1009A | 3034JA1009A | 3034JA1009A | Reflecto,Lamp |
| 410A | 6621JK2003B | 6621JK2003B | 6621JK2003B | 6621JK2003B | 6621JK2003B | Drawing,Assembly |
| 410G | 0CZZJB2012J | 0CZZJB2012J | 0CZZJB2012J | 0CZZJB2012J | 0CZZJB2012J | Capacitor,Electric Appliance Film,Box |
| 411A | 6411JK1006A | 6411JK1006A | 6411JK1006A | 6411JK1006A | 6411JK1006A | Power Cord Assembly |
| 420A | 4681JB1029D | 4681JB1029D | 4681JB1029D | 4681JB1029D | 4681JB1029D | DC Motor Assembly |
| 500A | 6871JB1423M | 6871JB1423M | 6871JB1423M | 6871JB1423M | 6871JB1423M | PCB Assembly,Main |
| 501F | 3551JA2144D | 3551JA2144D | 3551JA2144D | 3551JA2144D | 3551JA2144D | Cover As s embly,PCB |
| 503D | 3110JJ1014A | 3110JJ1014A | 3110JJ1014A | 3110JJ1014A | 3110JJ1014A | Case,Lamp |
| 603B | 4930JA3091A | 4930JA3091A | 4930JA3091A | 4930JA3091A | 4930JA3091A | Holder,Bracket |
| 603C | 4004JA3002A | 4004JA3002A | 4004JA3002A | 4004JA3002A | 4004JA3002A | Clip |
| 607A | 4931JA3005B | 4931JA3005B | 4931JA3005B | 4931JA3005B | 4931JA3005B | Holder Assembly ,Bracket |
| 610A | 3550JA2247A | 3550JA2247A | 3550JA2247A | 3550JA2247A | 3550JA2247A | Cover,Sensor |
| 610B | 6500JB1001K | 6500JB1001K | 6500JB1001K | 6500JB1001K | 6500JB1001K | Sensor, Temperature |
| 610C | 6500JB2002B | 6500JB2002B | 6500JB2002B | 6500JB2002B | 6500JB2002B | Sensor |
| 610D | 6500JB2001B | 6500JB2001B | 6500JB2001B | 6500JB2001B | 6500JB2001B | Sensor |
| 624A | 5231JA2006A | 5231JA2006A | 5231JA2006A | 5231JA2006A | 5231JA2006A | Filter Assembly,water |
| 624C | 3550JD1128B | 3550JD1128B | 3550JD1128B | 3550JD1128B | 3550JD1128B | Cover,Filter |
| 624D | 5230JA2003A | 5230JA2003A | 5230JA2003A | 5230JA2003A | 5230JA2003A | Filter,Head |
| 626A | 3550JA2279A | 3550JA2279A | 3550JA2279A | 3550JA2279A | 3550JA2279A | Cover,Filter |

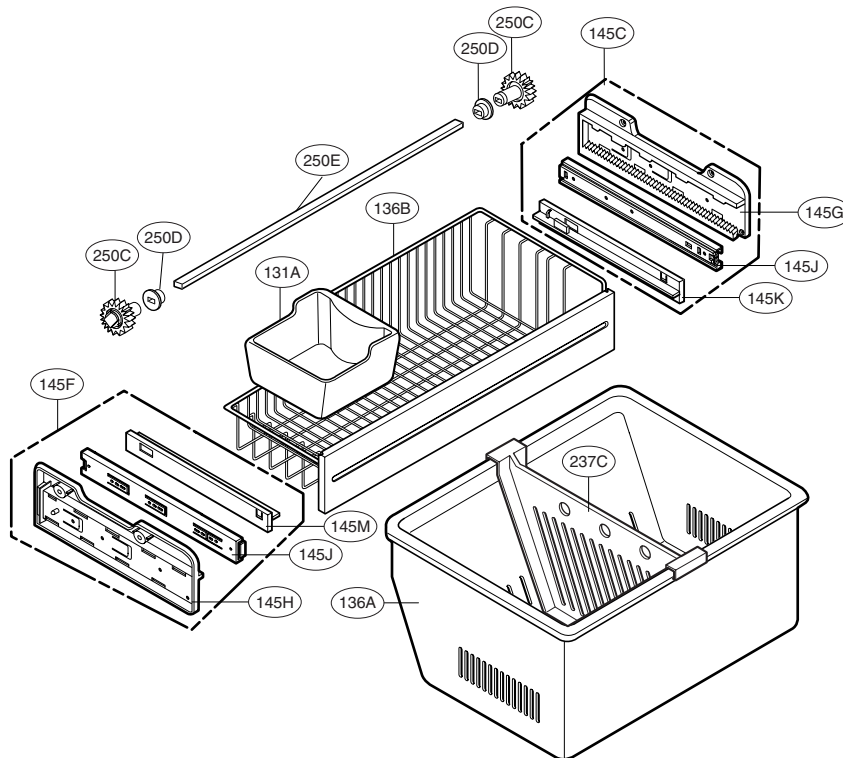
CAUTION: Use the part number to order the part, not the position number.

CASE PARTS

| LOC No. | 785*3 | 785*6 | 785*2 | 785*9 | 785*4 | Description |
|---------|-------------|-------------|-------------|-------------|-------------|-------------------|
| B01 | 4000W4A003A | 4000W4A003A | 4000W4A003A | 4000W4A003A | 4000W4A003A | Screw,Customized |
| B02 | 1STZJA3004F | 1STZJA3004F | 1STZJA3004F | 1STZJA3004Q | 1STZJA3004F | Screw,Customized |
| B04 | 1BZZJA2002A | 1BZZJA2002A | 1BZZJA2002A | 1BZZJA2002A | 1BZZJA2002A | Bolt,Common |
| S01 | 4J00415D | 4J00415D | 4J00415D | 4J00415D | 4J00415D | Screw ,Customized |
| S02 | 4J00415D | 4J00415D | 4J00415D | 4J00415D | 4J00415D | Screw,Customized |
| S03 | 4J01424B | 4J01424B | 4J01424B | 4J01424B | 4J01424B | Screw,Customized |
| S08 | 1SZZJJ3005E | 1SZZJJ3005E | 1SZZJJ3005E | 1SZZJJ3005E | 1SZZJJ3005E | Screw,Customized |
| S10 | 1SBZJA3004L | 1SBZJA3004L | 1SBZJA3004L | 1SBZJA3004L | 1SBZJA3004L | Screw,Customized |
| S11 | 3J05696W | 3J05696W | 3J05696W | 3J05696W | 3J05696W | Screw,Customized |
| S12 | 3J05696W | 3J05696W | 3J05696W | 3J05696W | 3J05696W | Screw,Customized |
| S14 | 1SZZJJ3010N | 1SZZJJ3010N | 1SZZJJ3010N | 1SZZJJ3010D | 1SZZJJ3010N | Screw,Customized |
| S15 | 4000W4A003A | 4000W4A003A | 4000W4A003A | 4000W4A003A | 4000W4A003A | Screw,Customized |
| S16 | 3J05696C | 3J05696C | 3J05696C | 3J05696C | 3J05696C | Screw,Customized |
| S17 | 4J00415D | 4J00415D | 4J00415D | 1SZZJA3005H | 4J00415D | Screw,Customized |
| S20 | 1SZZJA3016A | 1SZZJA3016A | 1SZZJA3016A | 1SZZJA3016A | 1SZZJA3016A | Screw,Customized |

FREEZER PARTS

CAUTION: Use the part number to order the part, not the position number.

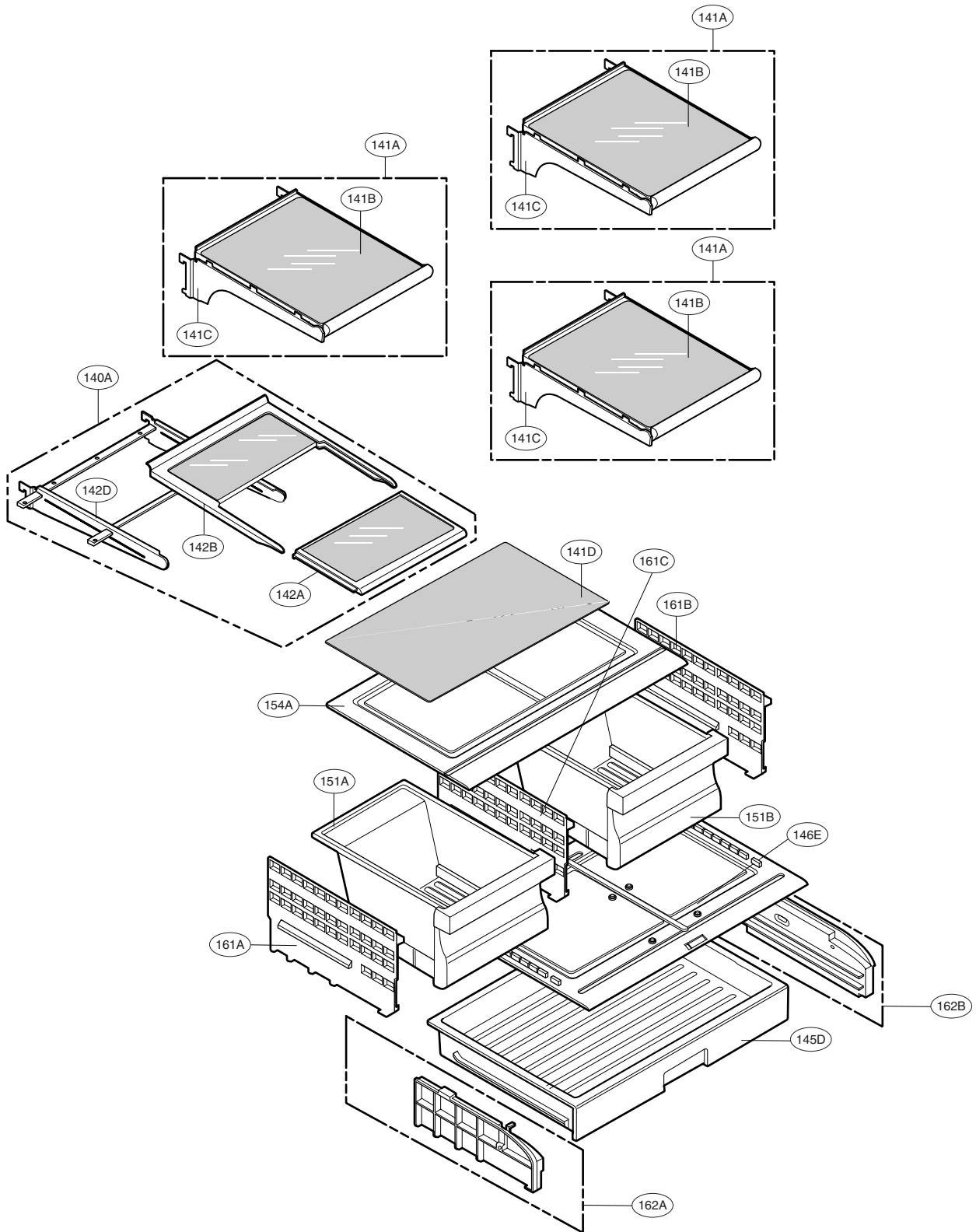


| LOC No. | 785*3 | 785*6 | 785*2 | 785*9 | 785*4 | Description |
|---------|-------------|-------------|-------------|-------------|-------------|----------------------|
| 131A | 5074JA2007A | 5074JA2007A | 5074JA2007A | 5074JA2007A | 5074JA2007A | Bucket,Ice |
| 136A | 3391JJ2011M | 3391JJ2011M | 3391JJ2011M | 3391JJ2011M | 3391JJ2011M | Tray,Drawer |
| 136B | 3391JA1114A | 3391JA1114A | 3391JA1114A | 3391JA1114A | 3391JA1114A | Tray Assembly,Drawer |
| 145C | 4975JA1040B | 4975JA1040B | 4975JA1040B | 4975JA1040B | 4975JA1040B | Guide Assembly,Rail |
| 145F | 4975JA1040A | 4975JA1040A | 4975JA1040A | 4975JA1040A | 4975JA1040A | Guide Assembly,Rail |
| 145G | 4974JA1154B | 4974JA1154B | 4974JA1154B | 4974JA1154B | 4974JA1154B | Guide,Rail |
| 145H | 4974JA1154A | 4974JA1154A | 4974JA1154A | 4974JA1154A | 4974JA1154A | Guide,Rail |
| 145J | 5218JA1007B | 5218JA1007B | 5218JA1007B | 5218JA1007B | 5218JA1007B | Rail,Slide |
| 145K | 4932JA1010B | 4932JA1010B | 4932JA1010B | 4932JA1010B | 4932JA1010B | Connector,Rail |
| 145M | 4932JA1010A | 4932JA1010A | 4932JA1010A | 4932JA1010A | 4932JA1010A | Connector,Rail |
| 237C | 4974JJ1031A | 4974JJ1031A | 4974JJ1031A | 4974JJ1031A | 4974JJ1031A | Guide,Drawer |
| 250C | 4470JA2008A | 4470JA2008A | 4470JA2008A | 4470JA2008A | 4470JA2008A | Gear,Ice |
| 250D | 5006JA2069A | 5006JA2069A | 5006JA2069A | 5006JA2069A | 5006JA2069A | Cap,Cover |
| 250E | MAK36519001 | MAK36519001 | MAK36519001 | MAK36519001 | MAK36519001 | Bar |

CAUTION: Use the part number to order the part, not the position number.

REFRIGERATOR PARTS

CAUTION: Use the part number to order the part, not the position number.



* : on some models

REFRIGERATOR PARTS

| LOCNo. | 785*3 | 785*6 | 785*2 | 785*9 | 785*4 | Description |
|--------|-------------|-------------|-------------|-------------|-------------|-----------------------------|
| 140A | AHT36706711 | AHT36706711 | AHT36706711 | AHT36706711 | AHT36706711 | Shelf Assembly,Refrigerator |
| 141A | AHT36764308 | AHT36764308 | AHT36764308 | AHT36764308 | AHT36764308 | Shelf Assembly,Refrigerator |
| 141B | MHL42265702 | MHL42265702 | MHL42265702 | MHL42265702 | MHL42265702 | Shelf, Refrigerator |
| 141C | 5027JJ2012F | 5027JJ2012F | 5027JJ2012F | 5027JJ2012F | 5027JJ2012F | Shelf Assembly,Net |
| 141D | 4890JJ1007Y | 4890JJ1007Y | 4890JJ1007Y | 4890JJ1007Y | 4890JJ1007Y | Cover,Glas s |
| 142A | AHT36963707 | AHT36963707 | AHT36963707 | AHT36963707 | AHT36963707 | Shelf Assembly,Refrigerator |
| 142B | AHT36963803 | AHT36963803 | AHT36963803 | AHT36963803 | AHT36963803 | Shelf Assembly,Refrigerator |
| 142D | 5027JJ2012K | 5027JJ2012K | 5027JJ2012K | 5027JJ2012K | 5027JJ2012K | Shelf Assembly,Net |
| 145D | AJP36700901 | AJP36700901 | AJP36700901 | AJP36700901 | AJP36700901 | Tray Assembly,Fresh Room |
| 146E | ACQ36701703 | ACQ36701703 | ACQ36701703 | ACQ36701703 | ACQ36701703 | Cover,Tray |
| 151A | AJP36702111 | AJP36702111 | AJP36702111 | AJP36702111 | AJP36702111 | Tray Assembly,Vegetable |
| 151B | AJP36702112 | AJP36702112 | AJP36702112 | AJP36702112 | AJP36702112 | Tray Assembly,Vegetable |
| 154A | ACQ36701107 | ACQ36701107 | ACQ36701107 | ACQ36701107 | ACQ36701107 | Cover Assembly, TV |
| 161A | AEC36906401 | AEC36906401 | AEC36906401 | AEC36906401 | AEC36906401 | Guide Assembly,TV |
| 161B | AEC36906402 | AEC36906402 | AEC36906402 | AEC36906402 | AEC36906402 | Guide Assembly,TV |
| 161C | AEC36702202 | AEC36702202 | AEC36702202 | AEC36702202 | AEC36702202 | Guide Assembly,Rail |
| 162A | AEC36702301 | AEC36702301 | AEC36702301 | AEC36702301 | AEC36702301 | Guide Assembly,Rail |
| 162B | AEC36702302 | AEC36702302 | AEC36702302 | AEC36702302 | AEC36702302 | Guide Assembly,Rail |

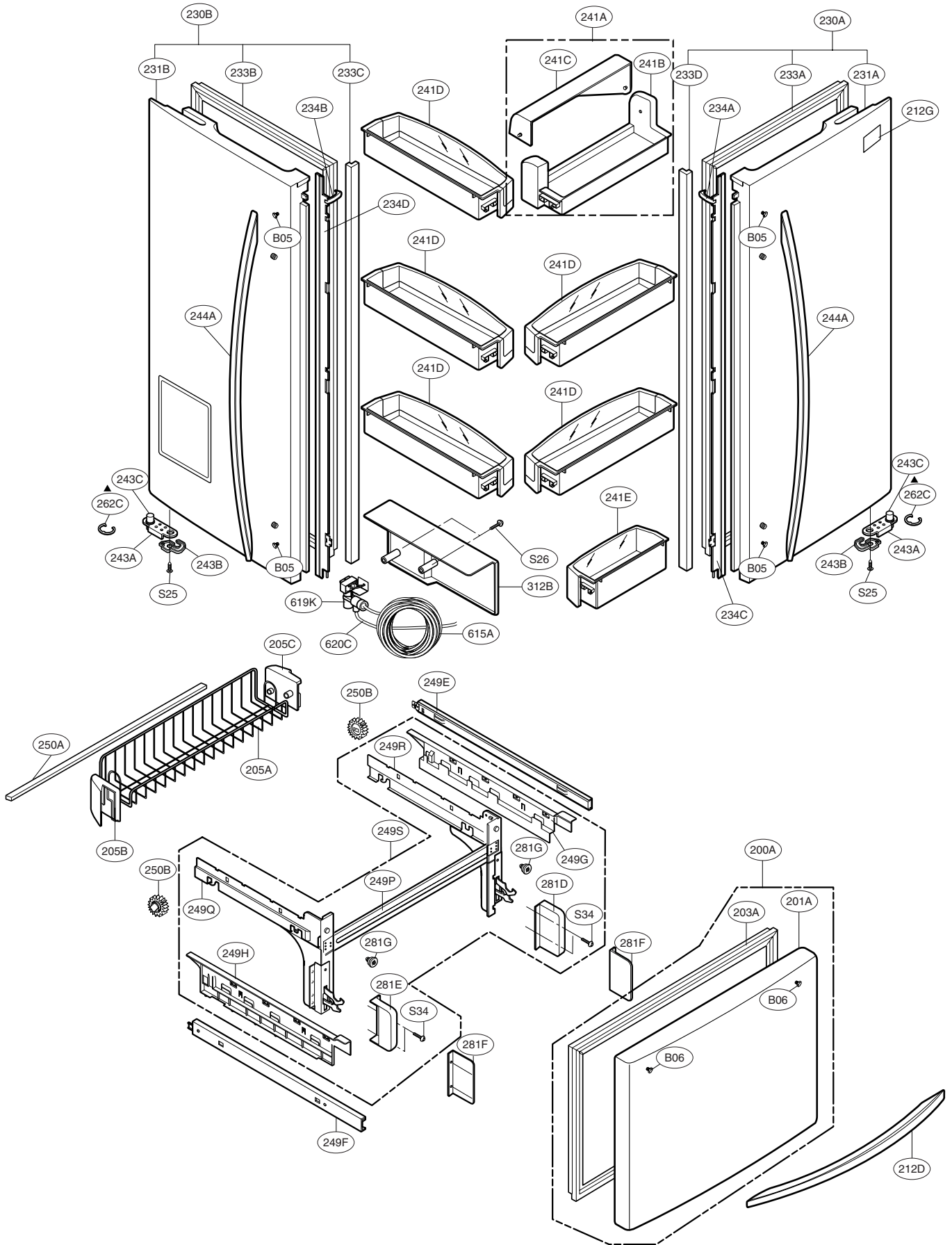
DOOR PARTS

| L /No | 785*3 | 785*6 | 785*2 | 785*9 | 785*4 | Description |
|-------|-------------|-------------|-------------|-------------|-------------|------------------------------------|
| 200A | ADC55707903 | ADC55707904 | ADC55707902 | ADC55707905 | ADC55708202 | Door Assembly,Freezer |
| 201A | ADD55708801 | ADD55709101 | ADD55708901 | ADD55709001 | ADD55709201 | Door Foam Assembly,Freezer |
| 203A | MDS38201406 | MDS38201406 | MDS38201401 | MDS38201402 | MDS38201401 | Gasket,Door |
| 205A | 5004JJ1061B | 5004JJ1061B | 5004JJ1061B | 5004JJ1061B | 5004JJ1061B | Basket,Door |
| 205B | 5004JA2017A | 5004JA2017A | 5004JA2017A | 5004JA2017A | 5004JA2017A | Basket,Tilt |
| 205C | 5004JA2017B | 5004JA2017B | 5004JA2017B | 5004JA2017B | 5004JA2017B | Basket,Tilt |
| 212D | AED37133214 | AED37133214 | AED37133216 | AED37133215 | AED37133217 | Handle Assembly |
| 212G | 3846JD1019B | 3846JD1019B | 3846JD1019B | 3846JD1019B | 3846JD1019B | Name Plate |
| 230A | ADC55510539 | ADC55510540 | ADC55510538 | ADC55510542 | ADC55510541 | Door Assembly,Refrigerator (Right) |
| 230B | ADC55709822 | ADC55709823 | ADC55709821 | ADC55709825 | ADC55709824 | Door Assembly,Refrigerator (Left) |
| 231A | ADD55510631 | ADD55510632 | ADD55510630 | ADD55510634 | ADD55510633 | Door Foam Assembly,Refrigerator |
| 231B | ADD55644718 | ADD55644719 | ADD55644717 | ADD55644721 | ADD55644720 | Door Foam Assembly,Refrigerator |
| 233A | 4987JJ2002S | 4987JJ2002S | 4987JJ2002C | 4987JJ2002C | 4987JJ2002N | Gasket Assembly,Door |
| 233B | 4987JJ2002T | 4987JJ2002T | 4987JJ2002P | 4987JJ2002D | 4987JJ2002P | Gasket Assembly,Door |
| 233D | MCK59045802 | MCK59045802 | MCK59045802 | MCK59045802 | MCK59045802 | Cover Assembly,Front |
| 234A | 4430JJ2004A | 4430JJ2004A | 4430JJ2004A | 4430JJ2004A | 4430JJ2004A | Cam, Shaft |
| 234B | 4430JJ2004B | 4430JJ2004B | 4430JJ2004B | 4430JJ2004B | 4430JJ2004B | Cam, Shaft |
| 234C | 4931JJ2002E | 4931JJ2002E | 4931JJ2002E | 4931JJ2002E | 4931JJ2002E | Cover, Frame |
| 234D | 4931JJ2002F | 4931JJ2002F | 4931JJ2002F | 4931JJ2002F | 4931JJ2002F | Cover, Frame |
| 241A | AAP33686303 | AAP33686303 | AAP33686303 | AAP33686303 | AAP33686303 | Basket Assembly,Door |
| 241B | MAN38142901 | MAN38142901 | MAN38142901 | MAN38142901 | MAN38142901 | Basket,Door |
| 241C | MAN39723202 | MAN39723202 | MAN39723202 | MAN39723202 | MAN39723202 | Basket,Window |
| 241D | AAP36817401 | AAP36817401 | AAP36817401 | AAP36817401 | AAP36817401 | Basket Assembly,Door |
| 241E | AAP36817601 | AAP36817601 | AAP36817601 | AAP36817601 | AAP36817601 | Basket Assembly,Door |
| 243A | 4620JJ3006N | 4620JJ3006N | 4620JJ3006N | 4620JJ3006P | 4620JJ3006N | Stopper,Door |
| 243B | 4620JJ2009A | 4620JJ2009A | 4620JJ2009A | 4620JJ2009A | 4620JJ2009A | Stopper,Door |
| 243C | J326-00012A | J326-00012A | J326-00012A | J326-00012A | J326-00012A | Bush |
| 244A | AED37083010 | AED37083010 | AED37083012 | AED37083011 | AED37083013 | Handle Assembly,Refrigerator |
| 249E | 5218JA1010E | 5218JA1010E | 5218JA1010E | 5218JA1010E | 5218JA1010E | Rail,Slide |
| 249F | 5218JA1010F | 5218JA1010F | 5218JA1010F | 5218JA1010F | 5218JA1010F | Rail,Slide |
| 249G | 3550JA1455C | 3550JA1455C | 3550JA1455C | 3550JA1455C | 3550JA1455C | Cover,Connector |
| 249H | 3550JA1455D | 3550JA1455D | 3550JA1455D | 3550JA1455D | 3550JA1455D | Cover,Connector |
| 249P | ACJ36625808 | ACJ36625808 | ACJ36625808 | ACJ36625808 | ACJ36625808 | Connector Assembly |
| 249Q | ACJ36625807 | ACJ36625807 | ACJ36625807 | ACJ36625807 | ACJ36625807 | Connector,Assembly |
| 249R | 4932JJ2009B | 4932JJ2009B | 4932JJ2009B | 4932JJ2009B | 4932JJ2009B | Connector,Tilt |
| 249S | ACJ36695103 | ACJ36695103 | ACJ36695103 | ACJ36695103 | ACJ36695103 | Connector,Assembly |
| 250A | MAK39123901 | MAK39123901 | MAK39123901 | MAK39123901 | MAK39123901 | Bar |
| 250B | 4403JA3005A | 4403JA3005A | 4403JA3005A | 4403JA3005A | 4403JA3005A | Connector,Assembly |
| 262C | 4350JA3005B | 4350JA3005B | 4350JA3005B | 4350JA3005B | 4350JA3005B | Ring |
| 281D | 3550JA2267B | 3550JA2267B | 3550JA2267B | 3550JA2267B | 3550JA2267B | Cover,Hinge |
| 281E | 3550JA2267A | 3550JA2267A | 3550JA2267A | 3550JA2267A | 3550JA2267A | Cover,Hinge |
| 281F | 3550JA2264A | 3550JA2264A | 3550JA2264A | 3550JA2264A | 3550JA2264A | Cover,Hinge |
| 281G | MCQ42969201 | MCQ42969201 | MCQ42969201 | MCQ42969201 | MCQ42969201 | Damper,Pipe |
| 312B | MCK42644301 | MCK42644301 | MCK42644301 | MCK42644301 | MCK42644301 | Cover,Front |
| 615A | MJM58427302 | MJM58427302 | MJM58427302 | MJM58427302 | MJM58427302 | Tank,Water |
| 619K | MJX57597701 | MJX57597701 | MJX57597701 | MJX57597701 | MJX57597701 | Valve,Water |
| 620C | 5210JA3030P | 5210JA3030P | 5210JA3030P | 5210JA3030P | 5210JA3030P | Tube,Plastic |

CAUTION: Use the part number to order the part, not the position number.

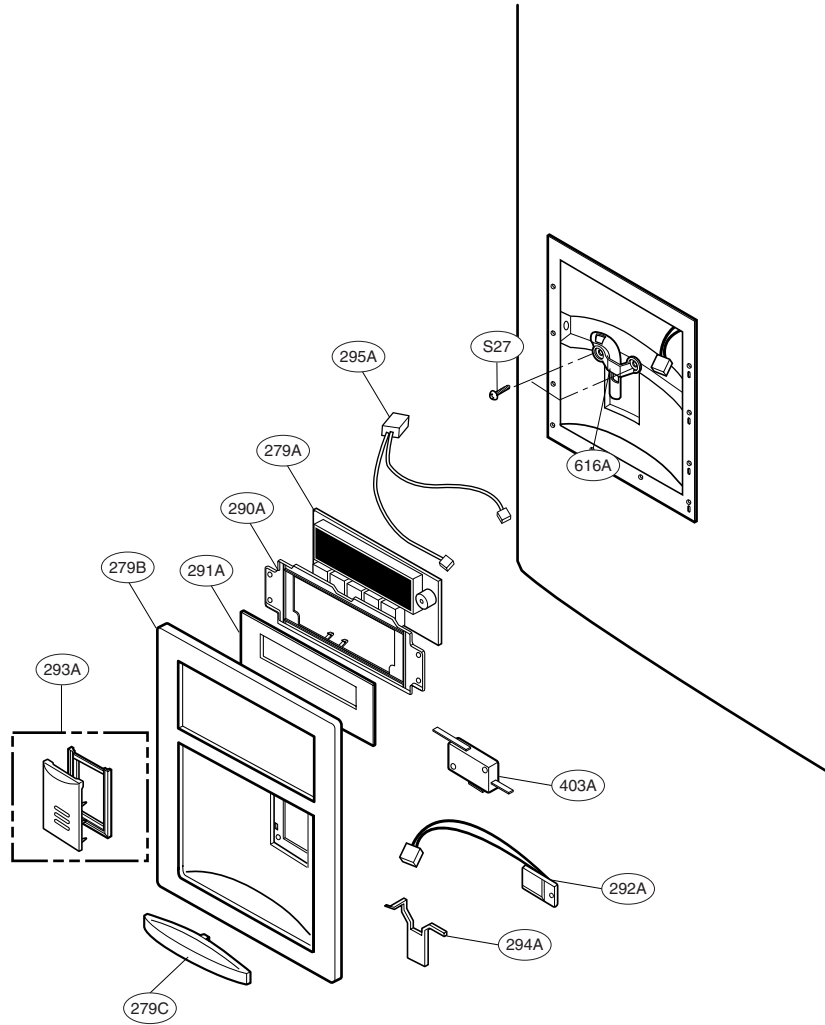
DOOR PARTS

CAUTION: Use the part number to order the part, not the position number.



DISPENSER PARTS

CAUTION: Use the part number to order the part, not the position number.



| LOC No. | 785*3 | 785*6 | 785*2 | 785*9 | 785*4 | Des crption |
|---------|---------------|---------------|---------------|---------------|---------------|-----------------------|
| 279A | 6871JB1439B | 6871JB1439B | 6871JB1439B | 6871JB1439B | 6871JB1439B | PCB As sembly,Display |
| 279B | 3550JA1492A | 3550JA1492A | 3550JA1492B | 3550JA1492B | 3550JA1492B | Cover,Dispenser |
| 279C | 3806J J 2053A | 3806J J 2053A | 3806J J 2053E | 3806J J 2053E | 3806J J 2053E | Decor,Drain |
| 290A | 3550JA2280A | 3550JA2280A | 3550JA2280A | 3550JA2280A | 3550JA2280A | Cover,PCB |
| 291A | 4890JD1110B | 4890JD1110B | 4890JD1110B | 4890JD1110B | 4890JD1110B | Decor,Glas s Door |
| 292A | 6871JB2074B | 6871JB2074B | 6871JB2074B | 6871JB2074B | 6871JB2074B | PCB As sembly,S ub |
| 293A | 5021JA3020A | 5021JA3020A | 5021JA3020B | 5021JA3020B | 5021JA3020B | Button As sembly |
| 294A | 4510JA2028A | 4510JA2028A | 4510JA2028A | 4510JA2028A | 4510JA2028A | Lever,Dispenser |
| 295A | 6877JB2181A | 6877JB2181A | 6877JB2181A | 6877JB2181A | 6877JB2181A | Drawing,As sembly |
| 403A | 6600JB3001C | 6600JB3001C | 6600JB3001C | 6600JB3001C | 6600JB3001C | Switch,Micro |
| 616A | 5210JA2012A | 5210JA2012A | 5210JA2012F | 5210JA2012F | 5210JA2012F | Tube,Inject |
| S 27 | 4J 00415D | 4J 00415D | 4J 00415D | 4J 00415D | 4J 00415D | S crew,Cus tomized |



*'You Can Count on me . . .
to Work Safely.'*