

This Owner's Manual is provided and hosted by [Appliance Factory Parts](#).



LG 79376 Owner's Manual

[Shop genuine replacement parts for LG 79376](#)



[Find Your LG Refrigerator Parts - Select From 834 Models](#)

----- Manual continues below -----



TOP FREEZER REFRIGERATOR

Use & Care Guide

CONGELADOR SUPERIOR REFRIGERADOR

Guía para el Uso y Cuidado

CONGÉLATEUR SUPÉRIEUR RÉFRIGÉRATEUR

Guide d'Utilisation et d'Entretien

Models / Modelos / Modèles

795.6997****

795.7997****

795.6937****

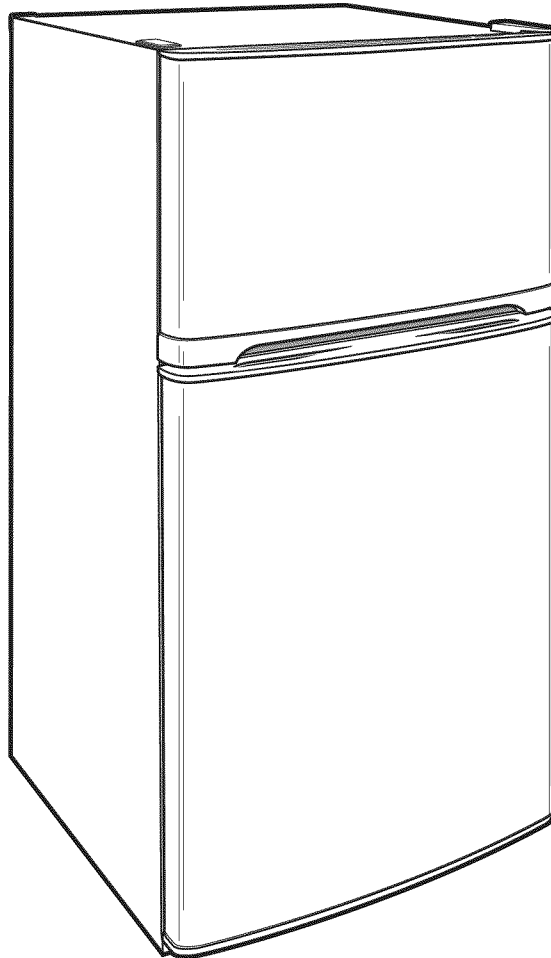
795.7937****

795.6991****

795.7991****

795.6929****

795.7929****



ENGLISH

ESPAÑOL

FRANÇAIS

TABLE OF CONTENTS

Warranty and Product Record	3-4		
		Crisper Humidity Control	20
Safety Instructions	5-6	Door Racks	20-21
		Door Bins	21
Grounding Requirements	6	Dairy Bin/Can Rack	21
		Ice Tray	21
Parts and Features	7		
		Care and Cleaning	22-23
Refrigerator Installation	8-15	General Cleaning Tips	22
Unpacking Your Refrigerator	8	Outside	22
Installation	8	Inside Walls	22
Base Grill	8	Door Liner and Gaskets	22
Removing and Replacing Doors	9-10	Plastic Parts	22
Reversing Doors	10-15	Light Bulb Replacement	22-23
Leveling and Door Closing/ Door Alignment	15	Power Interruptions	23
		Vacation and Moving Care	23
Using Your Refrigerator	16-21		
Ensuring Proper Air Circulation	16	About the Automatic Ice Maker	24
Setting the Controls	16		
Adjusting Control Settings	17	Connecting the Water Line	25-27
Food Storage Guide	17		
Storing Frozen Food	18	Troubleshooting Guide	28-31
Refrigerator Shelves	19-21		
Snack Drawer	19		
Crisper and Crisper Cover	20		



TOP FREEZER REFRIGERATOR

Kenmore Appliance Warranty

One Year Limited Warranty

When installed, operated and maintained according to all instructions supplied with the product, if this appliance fails due to a defect in material or workmanship within one year from the date of purchase, call 1-800-4-MY-HOME® to arrange for free repair.

If this appliance is used for other than private family purposes, this warranty applies for only 90 days from the date of purchase.

This Warranty covers only defects in material and workmanship. Sears will NOT pay for:

1. Expendable items that can wear out from normal use, including but not limited to filters, belts, light bulbs, and bags.
2. A service technician to instruct the user in correct product installation, operation or maintenance.
3. A service technician to clean or maintain this product.
4. Damage to or failure of this product if it is not installed, operated or maintained according to all instructions supplied with the product.
5. Damage to or failure of this product resulting from accident, abuse, misuse or use for other than its intended purpose.
6. Damage to or failure of this product caused by the use of detergents, cleaners, chemicals or utensils other than those recommended in all instructions supplied with the product.
7. Damage to or failure of parts or systems resulting from unauthorized modifications made to this product.

Disclaimer of implied warranties; limitation of remedies

Customer's sole and exclusive remedy under this limited warranty shall be product repair as provided herein. Implied warranties, including warranties of merchantability or fitness for a particular purpose, are limited to one year or the shortest period allowed by law. Sears shall not be liable for incidental or consequential damages. Some states and provinces do not allow the exclusion or limitation of incidental or consequential damages, or limitations on the duration of implied warranties of merchantability or fitness, so these exclusions or limitations may not apply to you.

This warranty applies only while this appliance is used in the United States and Canada.

This warranty gives you specific legal rights, and you may also have other rights which vary from state to state.

**Sears, Roebuck and Co., Hoffman Estates, IL 60179
Sears Canada, Inc., Toronto, Ontario, Canada M5B 2B8**

PROTECTION AGREEMENTS

Master Protection Agreements

Congratulations on making a smart purchase. Your new Kenmore® product is designed and manufactured for years of dependable operation. But like all products, it may require preventive maintenance or repair from time to time. That's when having a Master Protection Agreement can save you money and aggravation.

The Master Protection Agreement also helps extend the life of your new product. Here's what the Agreement* includes:

- Parts and labor** needed to help keep products operating properly **under normal use**, not just defects. Our coverage goes **well beyond the product warranty**. No deductibles, no functional failure excluded from coverage - **real protection**.
- Expert service** by a force of more than 10,000 authorized **Sears service technicians**, which means someone you can trust will be working on your product.
- Unlimited service calls and nationwide service**, as often as you want us, whenever you want us.
- "No-lemon" guarantee** - replacement of your covered product if four or more product failures occur within twelve months.
- Product replacement** if your covered product can't be Fixed.
- Annual Preventive Maintenance Check** at your Request - no extra charge.
- Fast help by phone** - we call it **Rapid Resolution** - phone support from a Sears representative on all products. Think of us as a "talking owner's manual."
- Power surge protection** against electrical damage due to power fluctuations.
- \$250 Food Loss Protection** annually for any food spoilage that is the result of mechanical failure of any covered refrigerator or freezer.
- Rental reimbursement** if repair of your covered product takes longer than promised.
- 10% discount** off the regular price of any non-covered repair service and related installed parts.

Once you purchase the Agreement, a simple phone call is all that it takes for you to schedule service. You can call anytime day or night, or schedule a service appointment online.

The Master Protection Agreement is a risk free purchase. If you cancel for any reason during the product warranty period, we will provide a full refund. Or a prorated refund anytime after the product warranty period expires. Purchase your Master Protection Agreement today!

Some limitations and exclusions apply. For prices and additional information in the U.S.A. call 1-800-827-6655.

***Coverage in Canada varies on some items. For full details call Sears Canada at 1-800-361-6655.**

Sears Installation Service

For Sears professional installation of home appliances, garage door openers, water heaters, and other major home items, in the U.S.A. or Canada call **1-800-4-MY-HOME®**.

PRODUCT RECORD

In the space below, record the date of purchase, model and serial number of your product. You will find the model and serial number printed on an identification label located on the right-hand side of the refrigerator compartment. Have these items of information available whenever you contact Sears concerning your product.

Model No. _____

Date of Purchase _____

Serial No. _____

Dealer _____

Save these instructions and attach your sales receipt for future reference.

IMPORTANT SAFETY INSTRUCTIONS

SAFETY MESSAGES

This guide contains many important safety messages. Always read and obey all safety messages.



This is the safety alert symbol. It alerts you to safety messages that inform you of hazards that can kill or hurt you or others, or cause damage to the product.

All safety messages will be preceded by the safety alert symbol and the hazard signal word DANGER, WARNING or CAUTION. These words mean:

 **DANGER**

You **will** be killed or seriously injured if you don't follow instructions.

 **WARNING**

You **can** be killed or seriously injured if you don't follow instructions.

 **CAUTION**

Indicates an imminently hazardous situation which, if not avoided, **may** result in minor or moderate injury, or product damage only.

All safety messages will identify the hazard, tell you how to reduce the chance of injury and tell you what can happen if the instructions are not followed.

WARNING

To reduce the risk of fire, electric shock or injury to persons when using your product, basic safety precautions should be followed, including the following:

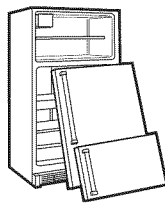
- NEVER unplug your refrigerator by pulling on the power cord. Always grip the plug firmly and pull it straight out from the outlet.
- Repair or replace immediately all electric service cords that have become frayed or otherwise damaged. Do not use a cord that shows cracks or abrasion damage along its length or at either the plug or connector end.
- When moving your refrigerator away from the wall, be careful not to roll over or damage the power cord.
- DO NOT store or use gasoline or other flammable vapors and liquids in the vicinity of this or any other appliance.
- DO NOT allow children to climb, stand or hang on the refrigerator doors or shelves in the refrigerator. They could damage the refrigerator and seriously injure themselves.
- Keep fingers out of "pinch point" areas; clearances between the doors and between the doors and cabinet are necessarily small. Be careful closing doors when children are in the area.
- Unplug your refrigerator before cleaning or making any repairs. **NOTE:** We strongly recommend that any servicing be performed by a qualified individual.
- Before replacing a burned-out light bulb, unplug the refrigerator or turn off power at the circuit breaker or fuse box in order to avoid contact with a live wire filament. (A burned-out light bulb may break when being replaced.) **NOTE:** Setting either or both controls to the OFF position does not remove power to the light circuit.
- Do not store bottles in the freezer compartment - they may break when frozen, causing damage.

- For personal safety, this appliance must be properly grounded. Have the wall outlet and the circuit checked by a qualified electrician to make sure the outlet is properly grounded.
- Read all instructions before using this appliance.
- Use this appliance only for its intended purpose as described in this use and care guide.
- This refrigerator must be properly installed in accordance with the Attention Installer Instructions that were taped to the front of the refrigerator.
- After your refrigerator is in operation, do not touch the cold surfaces in the freezer compartment when hands are damp or wet. Skin may adhere to the extremely cold surfaces.
- In refrigerators with automatic icemakers, avoid contact with the moving parts of the ejector mechanism, or with the heating element that releases the cubes. DO NOT place fingers or hands on the automatic icemaking mechanism while the refrigerator is plugged in.
- DO NOT refreeze frozen foods which have thawed completely. The United States Department of Agriculture in Home and Garden Bulletin No. 69 says:
"...You may safely refreeze frozen foods that have thawed if they still contain ice crystals or if they are still cold below 40°F (4°C)."
"...Thawed ground meats, poultry or fish that have any off-odor or off-color should not be refrozen and should not be eaten. Thawed ice cream should be discarded. If the odor or color of any food is poor or questionable, get rid of it. The food may be dangerous to eat."
"Even partial thawing and refreezing reduces the eating quality of foods, particularly fruits, vegetables and prepared foods. The eating quality of red meats is affected less than that of many other foods. Use refrozen foods as soon as possible to save as much of their eating quality as you can."

SAVE THESE INSTRUCTIONS

⚠ DANGER: RISK OF CHILD ENTRAPMENT

Child entrapment and suffocation are not problems of the past. Junked or abandoned refrigerators are still dangerous...even if they will sit for "just a few days." If you are getting rid of your old refrigerator, please follow the instructions at right to help prevent accidents.



BEFORE YOU THROW AWAY YOUR OLD REFRIGERATOR OR FREEZER

- Take off the doors.
- Leave the shelves in place so that children may not easily climb inside.

CFC DISPOSAL

Your old refrigerator has a cooling system that used CFC's (chlorofluorocarbons). CFC's are believed to harm stratospheric ozone.

If you are throwing away your old refrigerator, make sure the CFC refrigerant is removed for proper disposal by a qualified servicer. If you intentionally release this CFC refrigerant, you can be subject to fines and imprisonment under provisions of environmental legislation.

GROUNDING REQUIREMENTS

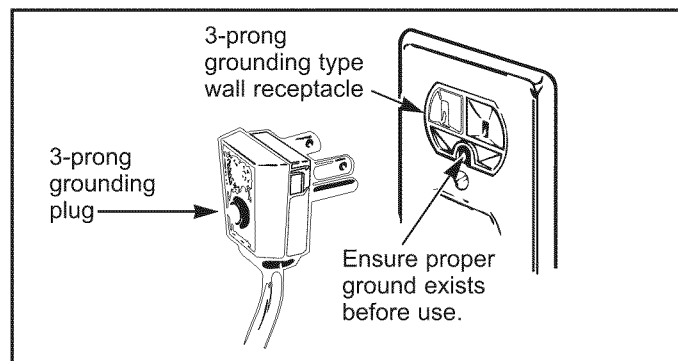
IMPORTANT: Please read carefully.

TO CONNECT ELECTRICITY

⚠ WARNING

Electrical Shock Hazard

FOR PERSONAL SAFETY, this appliance must be properly grounded. Have the wall outlet and the circuit checked by a qualified electrician to make sure the outlet is properly grounded.



RECOMMENDED GROUNDING METHOD

The refrigerator should always be plugged into its own individual properly grounded electrical outlet rated for 115 Volts, 60 Hz, AC only and fused at 15 or 20 amperes. This provides the best performance and also prevents overloading house wiring circuits which could cause a fire hazard from overheated wires. It is recommended that a

separate circuit serving only this appliance be provided. Use a receptacle which cannot be turned off with a switch or pull chain. Do not use an extension cord.

Where a standard two-prong wall outlet is encountered, it is your personal responsibility and obligation to have it replaced with a properly grounded three-prong wall outlet.

Do not, under any circumstances, cut or remove the third (ground) prong from the power cord.

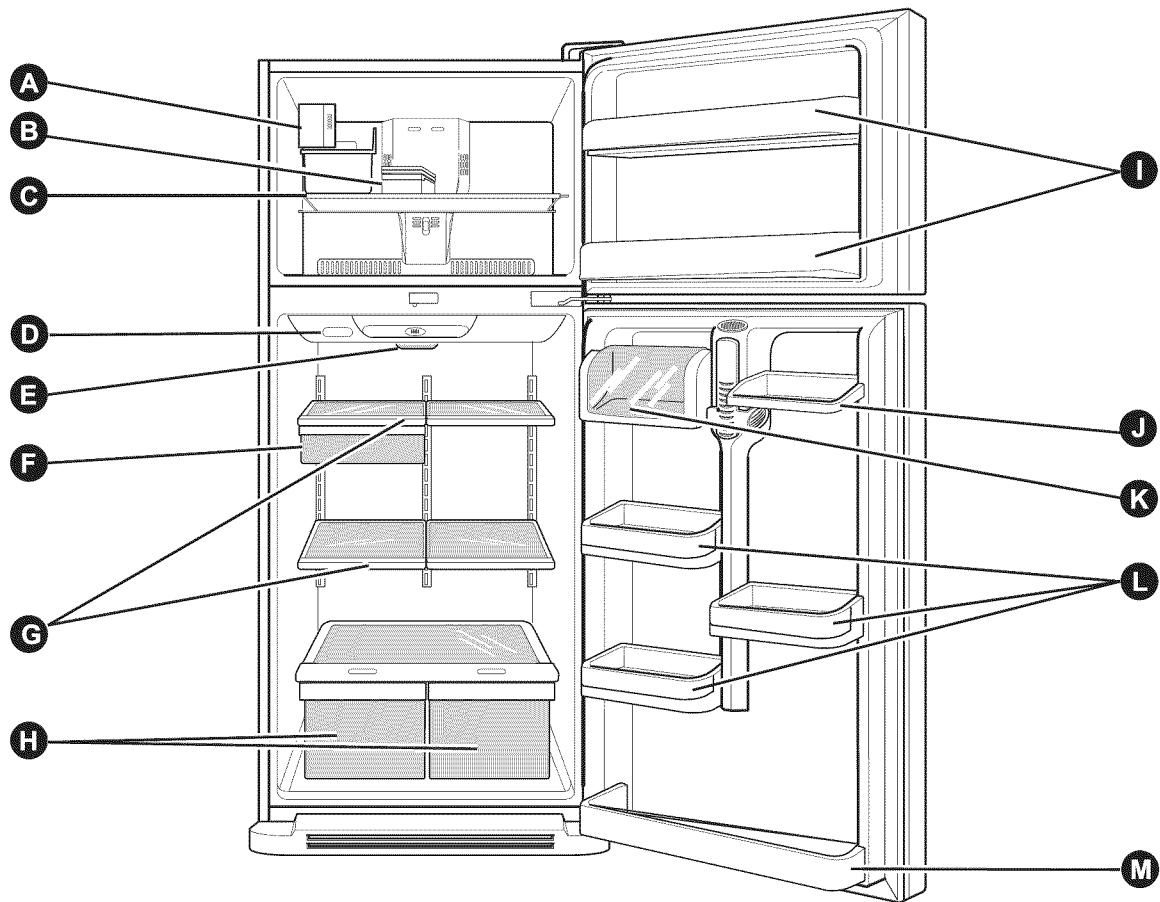
NOTE: Before performing any type of installation, cleaning, or removing a light bulb, turn the control (Thermostat, Refrigerator or Freezer Control depending on the model) to OFF and then disconnect the refrigerator from the electrical source. When you are finished, reconnect the refrigerator to the electrical source and reset the control (Thermostat, Refrigerator or Freezer Control, depending on the model) to the desired setting.

USE OF EXTENSION CORDS

Because of potential safety hazards under certain conditions, we strongly recommend against the use of an extension cord. However, if you still elect to use an extension cord, it is absolutely necessary that it be a UL-listed (in the United States) or a CSA-listed (in Canada), 3-wire grounding type appliance extension cord having a grounding type plug and outlet and that the electrical rating of the cord be 15 amperes (minimum) and 120 volts.

Use of an extension cord will increase the clearance needed for the back of the refrigerator.

PARTS AND FEATURES



Use this section to become more familiar with the parts and features. Page references are included for your convenience.

NOTE: This guide covers several different models. The refrigerator you have purchased may have some or all of the items listed below. The locations of the features shown below may not match your model.

A CustomCube Ice maker *

B Ice Bin *

C Freezer Shelf

D Digital Temperature Control

E Refrigerator Light

F Snack Drawer

G Shelves

H Crispers
Keeps fruits and vegetables fresh and crisp

I Freezer Door Racks

J Can Rack *

K Dairy Bin

L Door Bins

M Refrigerator Door Rack

*On some models

REFRIGERATOR INSTALLATION

⚠ WARNING

Excessive Weight Hazard

Use two or more people to move and install refrigerator.

Failure to do so can result in back or other injury.

UNPACKING YOUR REFRIGERATOR

Remove tape and any temporary labels from your refrigerator before using. Do not remove any warning-type labels or the model and serial number label.

To remove any remaining tape or glue, rub the area briskly with your thumb. Tape or glue residue can also be easily removed by rubbing a small amount of liquid dish soap over the adhesive with your fingers. Wipe with warm water and dry.

Do not use sharp instruments, rubbing alcohol, flammable fluids, or abrasive cleaners to remove tape or glue. These products can damage the surface of your refrigerator. For more information, see the **Important Safety Instructions** section.

Refrigerator shelves are installed in the shipping position.

Please reinstall shelves according to your individual storage needs.

⚠ WARNING

When Moving Your Refrigerator:

Your refrigerator is heavy. When moving the refrigerator for cleaning or service, be sure to protect the floor. Always pull the refrigerator straight out when moving it. Do not wiggle or walk the refrigerator when trying to move it, as floor damage could occur.

⚠ WARNING

Explosion Hazard

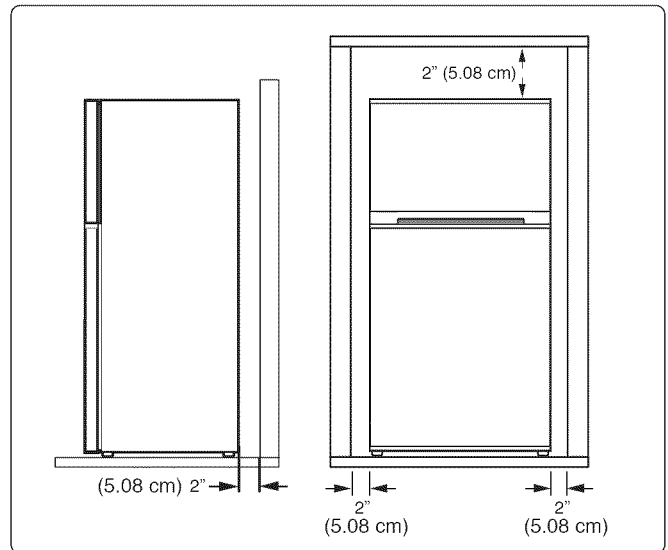
Keep flammable materials and vapors, such as gasoline, away from refrigerator.

Failure to do so can result in death, explosion or fire.

INSTALLATION

1. Avoid placing unit near heat sources, direct sunlight or moisture.
2. To minimize noise and vibration, the refrigerator **MUST** be installed on a solidly constructed floor.
3. Carpeting and soft tile surfaces are not recommended.
4. **NEVER** install the refrigerator on a platform or a weakly supported structure.
5. Install this appliance in an area where the temperature is between 55°F (13°C) and 110°F (43°C.) If the temperature around the appliance is too low or high, cooling ability may be adversely affected.

NOTE: For proper air circulation, best cooling and energy consumption results, maintain a minimum distance of 2 inches (5.08 cm) from adjacent items and surfaces.



⚠ WARNING

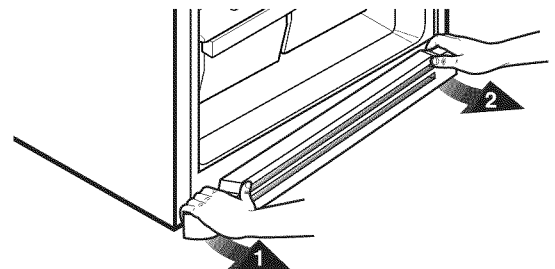
- Be careful when you work with hinge, base grille, stopper etc. You may be injured.
- Do not put hands or metal sticks into air vents, base grille or bottom of refrigerator. You may be injured or receive an electrical shock.

BASE GRILL INSTRUCTIONS

Grill at base of unit is force-fitted.

To Remove Grill:

- Open or remove refrigerator door.
- On left side of Base Grill, grasp opening between grill and refrigerator frame and pull out. Then pull out right side of grill.



To Replace Grill:

- Refrigerator door should be opened or removed.
- Locate slot on right front of refrigerator housing.
- Guide metal clip on right side of Grill into slot in housing.
- Guide metal clip on left side of Grill into slot in housing.
- Push clips into slots firmly until Grill snaps into place.

REFRIGERATOR INSTALLATION

⚠ WARNING

ELECTRICAL SHOCK HAZARD

Before you begin, either unplug the refrigerator or turn off power at the circuit breaker or fuse box. Remove food and any Adjustable Door or Utility Bins from doors. Failure to do so could result in death or serious injury.

REMOVING AND REPLACING DOORS

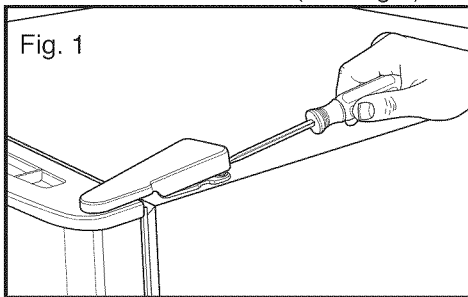
If entrance is less than 35-inches wide, the refrigerator's doors will need to be removed.

TOOLS NEEDED:

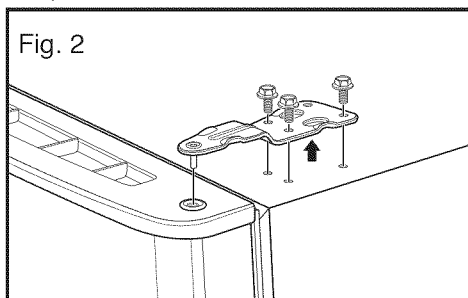
- 10mm or 13/32-inch socket wrench (with 2-inch extension for bottom door hinge)
- No. 2 Phillips head screwdriver
- Flat-head screwdriver for prying

REMOVE FREEZER DOOR

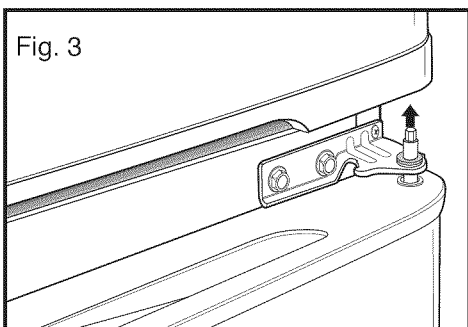
- Gently pry off the Top Hinge Cover with a flat head screwdriver and remove (see Fig 1).



- Using 10mm or 13/32-inch socket wrench, remove the 3 bolts and lift off the Top Hinge (see Fig. 2). Set parts aside.

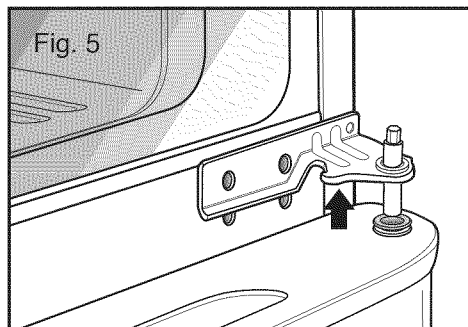
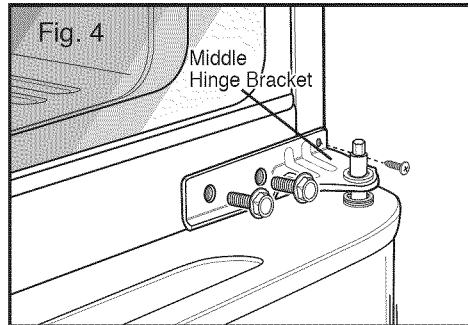


- Lift freezer door slightly and remove it. (Fig. 3). Set aside.

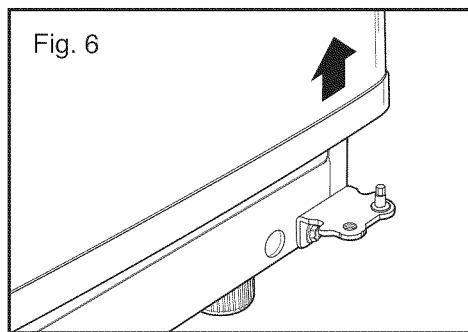


REMOVE REFRIGERATOR DOOR

- Loosen and remove the 2 bolts and the phillips head screw to remove the Middle Hinge Bracket from refrigerator housing (Fig. 4 and 5). Set parts aside.



- Lift up door slightly and remove it.

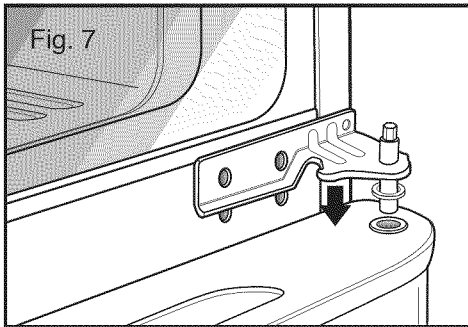


To replace doors, begin with refrigerator door and then follow with freezer door.

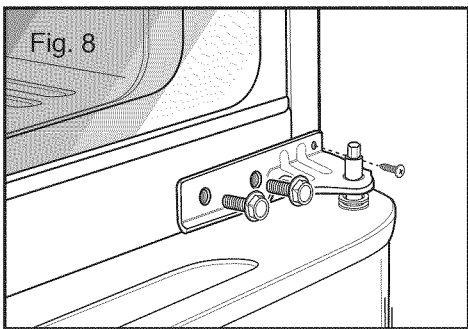
REFRIGERATOR INSTALLATION

REPLACE REFRIGERATOR DOOR

- Set door onto Bottom Hinge Pin.
- Place Hinge Pin of Middle Hinge Bracket inside Hinge Pin Insert on top of door (Fig. 7). Hold door in place and line up the Middle Hinge Bracket with the holes in refrigerator housing.

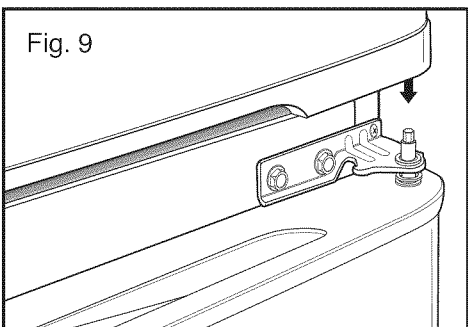


- Use the 2 bolts and phillips screw to refasten the Middle Hinge Bracket and door to the refrigerator housing. (Fig. 8).

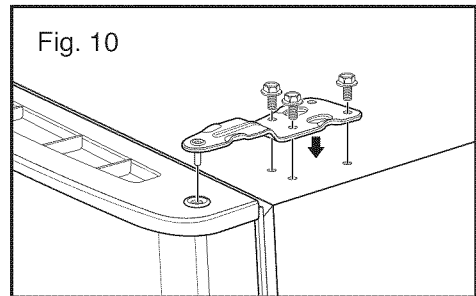


REPLACE FREEZER DOOR

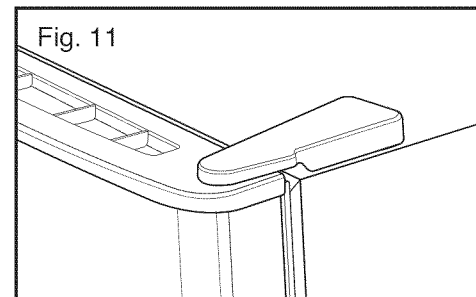
- Set the freezer door onto the Middle Hinge Pin (Fig. 9).



- Place Upper Hinge's Pin in the top of freezer door and line up the Upper Hinge with holes in top of refrigerator. Use the 3 bolts to replace Hinge (Fig. 10).



- Carefully force-fit Top Hinge Cover back into place over Hinge (Fig.11).



⚠ WARNING

ELECTRICAL SHOCK HAZARD

Before you begin, either unplug the refrigerator or turn off power at the circuit breaker or fuse box. Remove food and any Adjustable Door or Utility Bins from doors. Failure to do so could result in death or serious injury.

REVERSING DOORS

You may find it more convenient to have the doors converted from the left-opening type (factory installed) to the right-opening type. Directions refer to the right side as the side on your right as you face the unit.

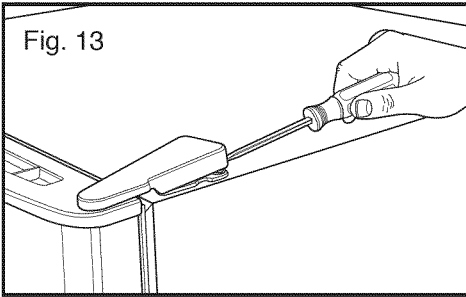
TOOLS NEEDED

- 10mm or 13/32-inch socket wrench (with 2-inch extension for bottom door hinge)
- No. 2 Phillips head screwdriver
- ¼ inch socket wrench
- Flat-head screwdriver for prying

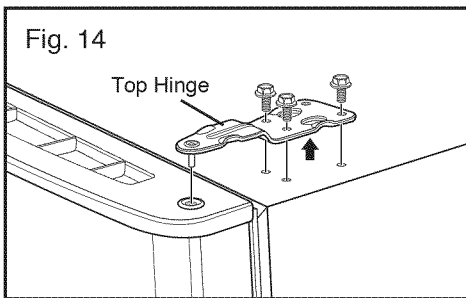
REFRIGERATOR INSTALLATION

REVERSE FREEZER DOOR

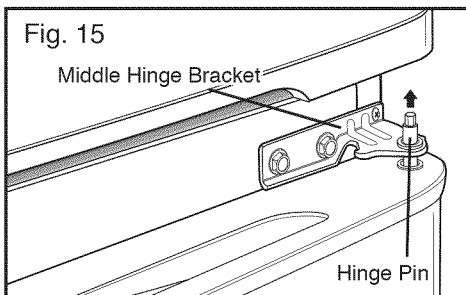
- Gently pry off the Top Hinge Cover with a flat head screwdriver and remove (see Fig. 13).



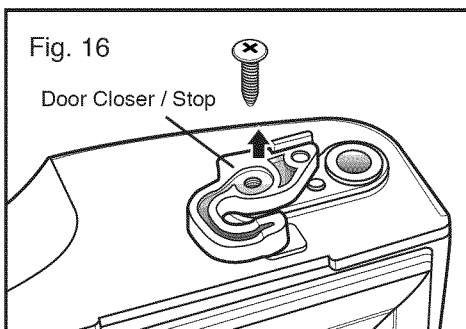
- Using 10mm or 13/32-inch socket wrench, remove the 3 bolts and lift off the Top Hinge (see Fig. 14). Set parts aside.



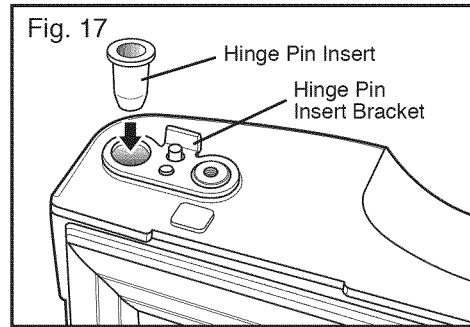
- Lift up door slightly and remove it (Fig. 15).



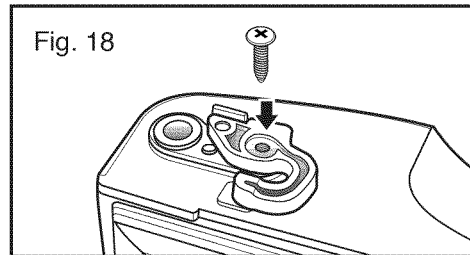
- Turn freezer door upside down on a non-scratch surface and loosen the screw to remove Door Closer/Stop and Hinge Pin Insert (see Fig. 16).



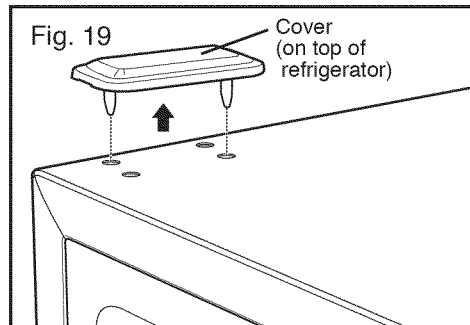
- Move the Hinge Pin Insert Bracket to the other side of the door, keeping the same orientation, and move the Hinge Pin Insert into the hole on the left side of the bracket (Fig. 17).



- Reverse Door Closer/Stop by flipping over (see Fig. 18), place on top of Hinge Pin Insert Bracket, and tighten both down with the screw.



- Pry off cover on top of refrigerator on left side to uncover screw holes (Fig. 19).
- Set freezer door and Top Hinge parts to the side and remove refrigerator door.

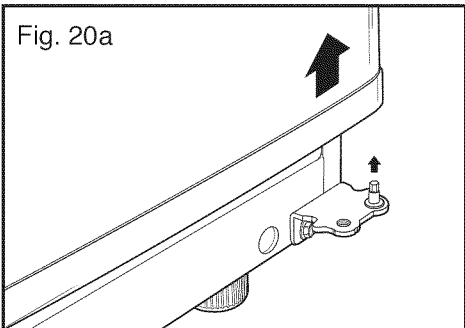
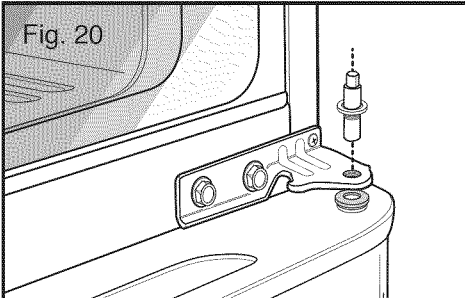


REFRIGERATOR INSTALLATION

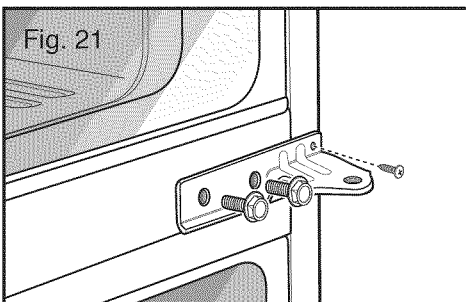
REVERSE AND REATTACH REFRIGERATOR DOOR

- Using a ¼-inch socket wrench, loosen and remove Hinge Pin from the Middle Hinge Pin Bracket. Remove washer underneath the middle hinge and set aside.

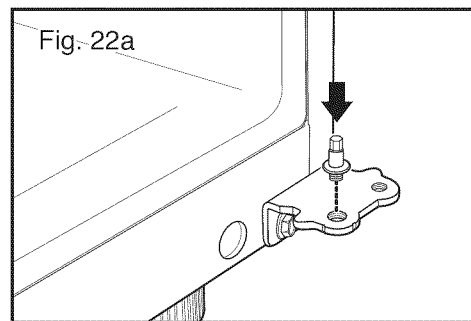
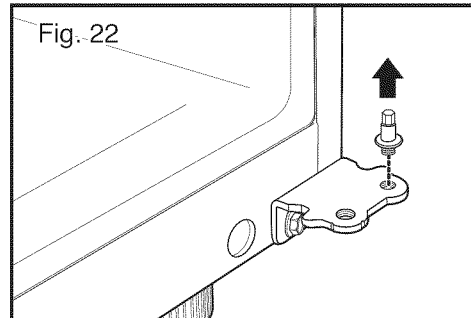
NOTE: At this point the door will be loose, lift up door slightly and remove it. (Fig. 20 and 20a).



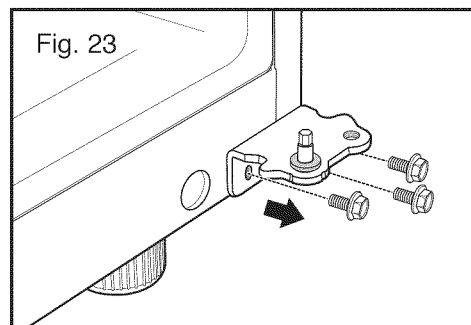
- Loosen and remove the 2 bolts and the phillips head screw to remove the Middle Hinge Bracket from refrigerator housing (Fig. 21). Set parts aside.



- REMOVE** base grill. See **BASE GRILL INSTRUCTIONS** on page 8.
- Remove the washer from the Bottom Hinge Pin (Fig. 22).
- Using a ¼-inch socket wrench, loosen and remove the Hinge Pin from the Bottom Hinge. Reattach the Hinge Pin to the opposite side of the Hinge (see Fig. 22 and 22a). **NOTE:** This is easier to do while the Hinge is still attached.

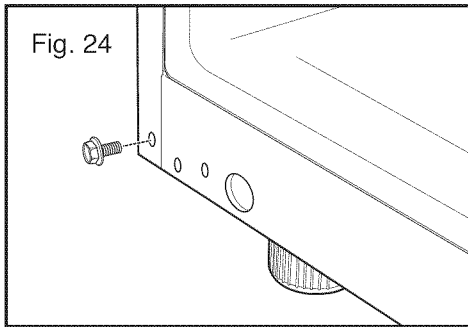


- Using 10mm or 13/32-inch socket wrench with 2-inch extension, loosen the 3 bolts and remove the Bottom Hinge from right side of housing (Fig. 23).

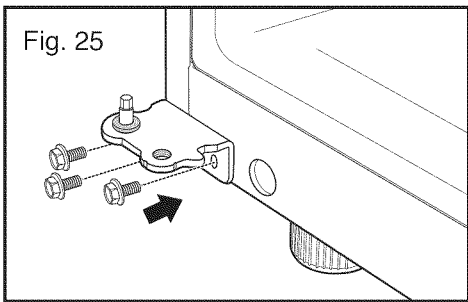


REFRIGERATOR INSTALLATION

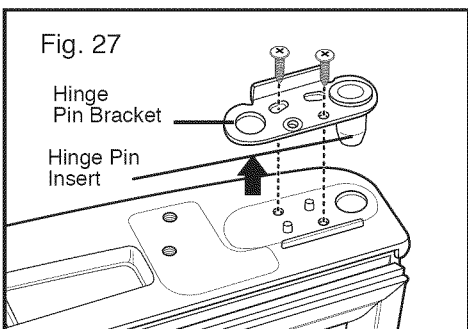
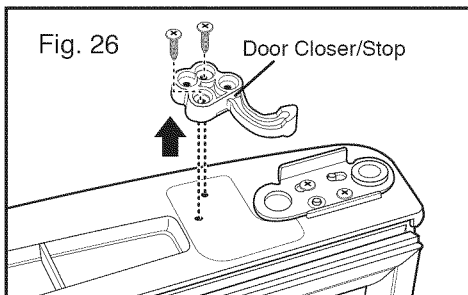
- At this point, remove the Decorative Bolt on bottom on refrigerator housing from the left side of refrigerator (Fig. 24). You will need this hole for the Bottom Hinge.



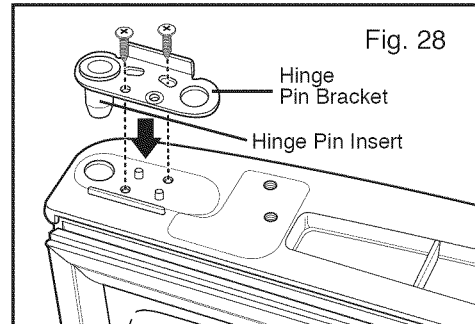
- Move the Bottom Hinge to the left side of housing keeping the same orientation, and reattach with 3 bolts (Fig. 25). Now move Decorative Bolt to hole on lower right side of housing.



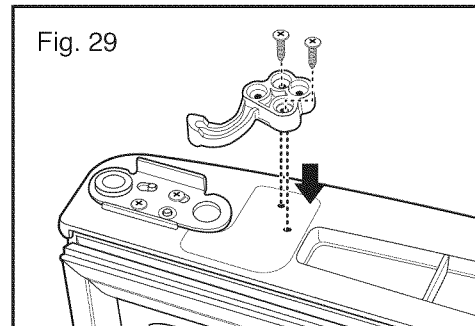
- Turn refrigerator door upside down on a non-scratching surface.
- With door upside down, loosen the 2 screws and remove the Door Closer/Stop (Fig. 26), then loosen the other two screws to remove the bottom Hinge Pin Insert Bracket with Hinge Pin Insert (see Fig. 27).



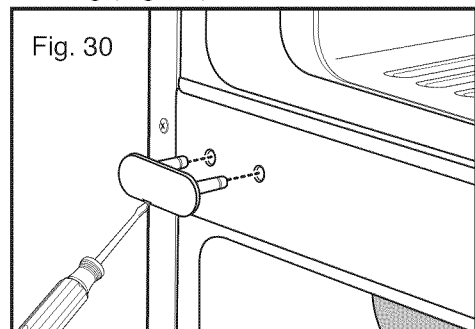
- Take out the Hinge Pin Insert and move the Bracket to the other side of the door, keeping the same orientation (Fig. 28).
- Place Hinge Pin Insert into the left side of the bracket. Tighten Hinge Pin Bracket to door (Fig. 28).



- Take Door Closer/stop and flip (see Fig. 29). Line up screw holes and mount on left side of door bottom with the two screws. Turn door upright. It is now ready for re-attaching.

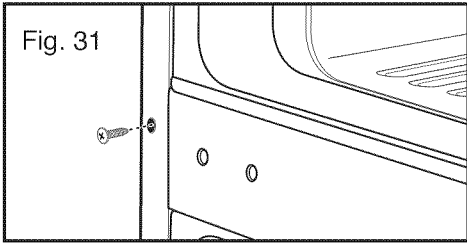


- With flat-head screwdriver, carefully pry off and remove the cover over the screw holes on the left side of refrigerator housing (Fig. 30).

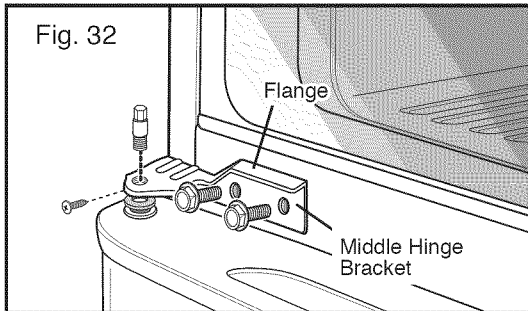


REFRIGERATOR INSTALLATION

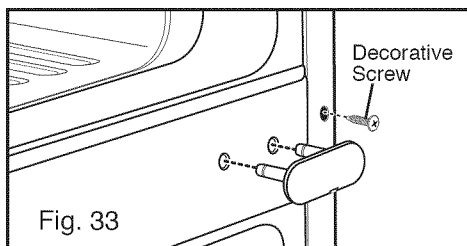
- Remove the outer lower Decorative Screw from housing at area between freezer and refrigerator doors (Fig. 31). (You will need this hole for the Middle Hinge Bracket).



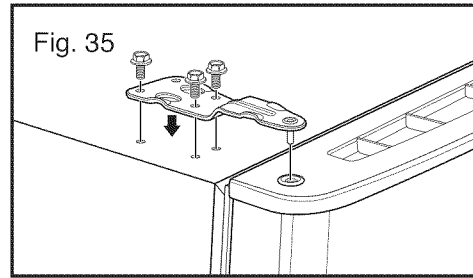
- Following illustration, flip the Middle Hinge Bracket (Flange will now be on top) and position on left side of refrigerator and re-attach with two bolts and a Phillips screw. (Fig. 32).
- Place refrigerator door down over pin on bottom hinge. (Fig. 32).
- Place washer between refrigerator door and middle hinge and re-attach Hinge Pin to Hinge Bracket with 1/4-in. socket wrench. **NOTE:** Bracket has been flipped, but Hinge Pin stays in the same orientation with its hexagonal end facing upward (Fig. 32).



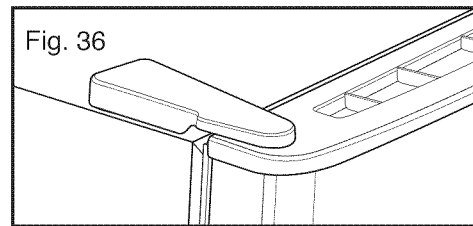
- Place Decorative Screw into outer hole on right side of housing (Fig. 33).
- Attach cover on the right side. Cover is force-fitted (Fig. 33).



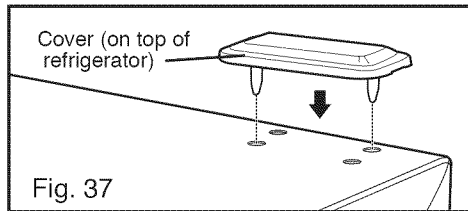
- Place Upper Hinge's Pin in the top of freezer door and line up the Upper Hinge with holes in top of refrigerator. Use the 3 bolts to replace Hinge (Fig. 35).



- Tighten bolts. Force-fit Top Hinge Cover over Top Hinge (Fig. 36).

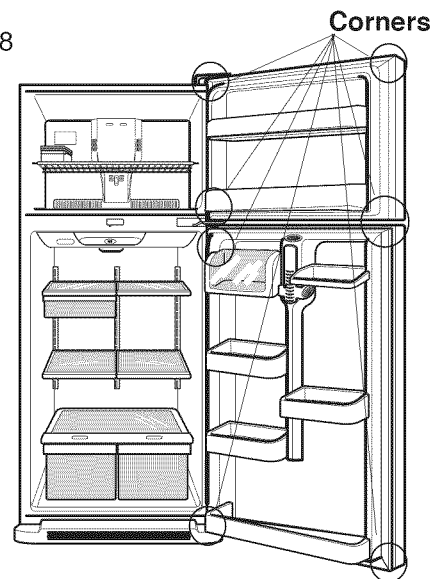


- Replace cover from left side of refrigerator top onto the right of top to cover the holes. Cover is also force-fitted (Fig. 37).



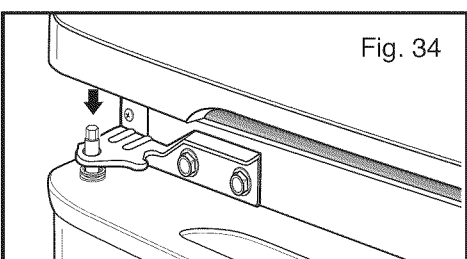
After changing doors, make sure that the corners of the Door Gaskets are not folded over (see Fig. 38). To ensure a good seal, apply a small amount of silicon grease on the corners of gaskets.

Fig. 38



REATTACHING FREEZER DOOR

- Put freezer door down over the Hinge Pin on the Middle Hinge Pin Bracket (Fig. 34).



REFRIGERATOR INSTALLATION

LEVELING AND DOOR CLOSING

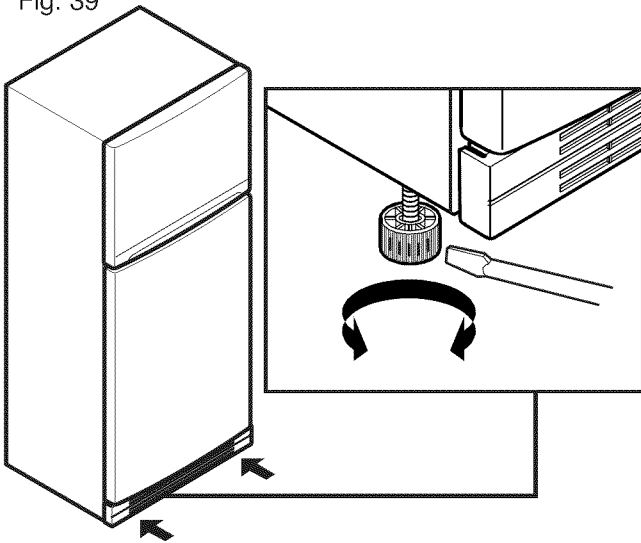
To avoid vibration, the unit must be leveled. If necessary, adjust the Leveling Legs to compensate for unevenness of the floor. The front should be slightly higher than the rear to aid in door closing.

Your refrigerator has two Front Leveling Screws – one on the right and one on the left. If your refrigerator seems unsteady or you want the doors to close more easily, adjust the refrigerator's tilt using the instructions below:

1. Plug refrigerator power cord into a 3-prong grounded outlet. Move the refrigerator into its final position.
2. Remove the base grill. See **BASE GRILL INSTRUCTIONS** on page 8. The two Leveling Screws are located on the bottom of the refrigerator on either side (see Fig. 39).
3. Insert a flat screwdriver in slots to adjust the Leveling Screws (Fig. 39). Turn the leveling screw clockwise to raise that side of the refrigerator or counterclockwise to lower it. It may take several turns of the Leveling Screw to adjust the tilt of the refrigerator.

NOTE: Having someone push against the top of the refrigerator takes some of the weight off the Leveling Screws. This makes it easier to adjust the screws.

Fig. 39



4. Open both doors again and check to make sure that they close easily. If not, tilt the refrigerator slightly more to the rear by turning both Leveling Screws clockwise. It may take several more turns, and you should turn both Leveling Screws the same amount.
5. Replace the base grill.

DOOR ALIGNMENT

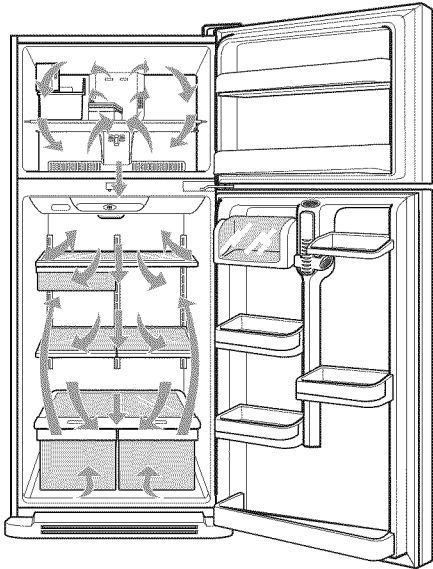
If the space between your doors is uneven, follow the instructions below to align the doors:

1. Gently pry off the Top Hinge Cover with a flat head screwdriver and remove. Loosen the Top Hinge Bolts using a 10mm or 13/32-in. socket wrench or open-end wrench.
2. Have someone hold the freezer door so the space between the two doors is even, and retighten the top hinge bolts.
3. Replace the Top Hinge Cover.

USING YOUR REFRIGERATOR

ENSURING PROPER AIR CIRCULATION

In order to ensure proper temperatures, air must flow between the refrigerator and freezer sections. As shown in the illustration below, cool air enters through the bottom of the freezer section and moves up. Most of the air then flows through the freezer section vents and recirculates under the freezer floor. The rest of the air enters the refrigerator section through the top vent.

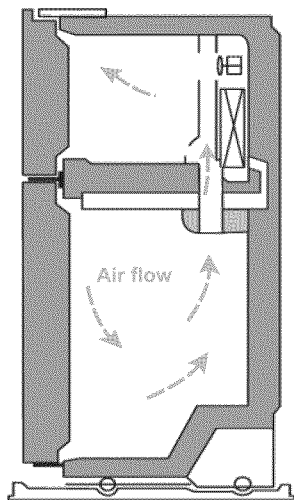


- **Do not block any of these vents** with food packages. If the vents are blocked, airflow will be interrupted and temperature and moisture problems may occur.

IMPORTANT:

Because air circulates between both sections, any odors formed in one section will transfer to the other. You must thoroughly clean both sections to eliminate odors. To prevent odor transfer and drying out food, wrap or cover foods tightly. (See the Food Storage Guide section for details.)

Note: If you close the refrigerator door forcefully, the freezer door may open and close again due to pressure from internal air flow.



NEXT

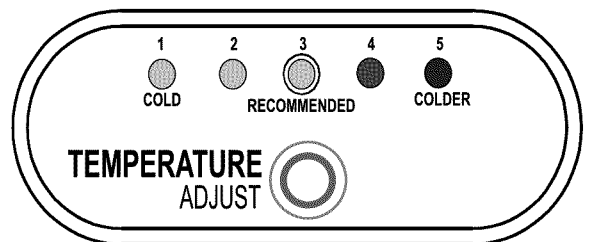
1. Clean your refrigerator thoroughly and wipe off all dust accumulated during shipping.
2. Install accessories such as ice cube bin, drawers, shelves, etc., in their proper places. They are packed together to prevent possible damage during shipment.
3. Let your refrigerator run for at least 2 or 3 hours before putting food in it. Check the flow of cold air in the freezer compartment to ensure proper cooling. Your refrigerator is now ready for use.

SETTING THE CONTROLS

Your refrigerator has two controls to regulate temperature, one in the freezer and one in the refrigerator.

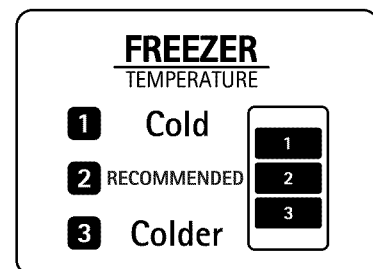
REFRIGERATOR CONTROL

Initially set the Refrigerator Control on the middle setting, number 3. To do so, push the temperature adjust button until the number 3 LED light is lit up. Leave the refrigerator at this setting for 24 hours to reach correct temperature. After 24 hours, adjust the compartment temperature as desired. The higher the number, the colder the refrigerator compartment will become. Always wait 24 hours before adjusting temperature. If you go past the desired number, keep pushing the temperature adjust button until your desired number is lit up.



FREEZER CONTROL

The freezer control should come from the factory set on the middle setting, number 2. Wait 24 hours before adjusting the temperature of the freezer compartment up or down. Turn the dial to set freezer temperature as desired. **ALWAYS** wait 24 hours after any adjustment for unit to reach desired temperature.



USING YOUR REFRIGERATOR

ADJUSTING CONTROL SETTINGS

Give the refrigerator time to cool down completely before making final adjustments. It is best to wait 24 hours before doing this. The recommended settings mentioned in **SETTING THE CONTROLS** section should be correct for normal household refrigerator use. The controls are set correctly when milk or juice is as cold as you like and when ice cream is firm.

The refrigerator control functions as the thermostat for the entire appliance (refrigerator and freezer sections). The higher the number setting, the longer the compressor will run to keep the temperature colder. The freezer control adjusts the cold air flow from the freezer to the refrigerator. Setting the freezer control to a lower temperature keeps more cold air in the freezer compartment to make it colder.

If you need to adjust temperatures in the refrigerator or freezer, start by adjusting the refrigerator. Then wait 24 hours before checking the freezer temperature. If it is too warm or too cold, then adjust the freezer control.

Use the settings listed in the chart below as a guide.

Always remember to wait at least 24 hours between adjustments.

CONDITION/ REASON:	RECOMMENDED ADJUSTMENT:
<ul style="list-style-type: none"> ■ REFRIGERATOR section too warm – Door opened often – Large amount of food added – Room temperature very warm 	Turn REFRIGERATOR control to next highest number, wait 24 hours, then re-check
<ul style="list-style-type: none"> ■ FREEZER section too warm/ice not made fast enough – Door opened often – Large amount of food added – Very cold room temperature (Compressor doesn't cycle often enough) – Heavy ice usage – Air vents blocked by items 	Turn FREEZER control to next highest number, wait 24 hours, then re-check Move items out of airstream
<ul style="list-style-type: none"> ■ REFRIGERATOR section too cold – Controls not set correctly for your conditions 	Set REFRIGERATOR control to next lower number, wait 24 hours, then re-check
<ul style="list-style-type: none"> ■ FREEZER section too cold – Controls not set correctly for your conditions 	Set FREEZER control to next lower number, wait 24 hours, then re-check

FOOD STORAGE GUIDE

Wrap or store food in the refrigerator in airtight and moisture-proof material unless otherwise noted. This prevents food odor and taste transfer throughout the refrigerator. For dated products, check date code to ensure freshness.

Items	How to
Butter or margarine	▶ Keep opened butter in a covered dish or closed compartment. When storing an extra supply, wrap in freezer packaging and freeze.
Cheese	▶ Store in the original wrapping until you are ready to use. Once opened, rewrap tightly in plastic wrap or aluminum foil.
Milk	▶ Wipe milk cartons. For best storage, place milk on interior shelf, not on door shelf.
Eggs	▶ Store in original carton or Egg Box (on certain models) on interior shelf, not on door shelf.
Fruit	▶ Wash, let dry, and store in refrigerator in plastic bags or in the crisper. Do not wash or hull berries until you are ready to use them. Sort and keep berries in their original container in a crisper, or store in a loosely closed paper bag on a refrigerator shelf.
Leafy vegetables	▶ Remove store wrapping and trim or tear off bruised and discolored areas. Wash in cold water and drain. Place in plastic bag or plastic container and store in crisper.
Vegetables with skins (carrots, peppers)	▶ Place in plastic bags or plastic container and store in crisper.
Fish	▶ Use fresh fish and shellfish the same day purchased.
Leftovers	▶ Cover leftovers with plastic wrap or aluminum foil. Plastic containers with tight lids can also be used.

USING YOUR REFRIGERATOR

STORING FROZEN FOOD

NOTE: For further information about preparing food for freezing or food storage times, check a freezer guide or a reliable cookbook.

Packaging

Successful freezing depends on correct packaging. Close and seal packages so no air or moisture can pass in or out. If it does, you could have food odor and taste transferred throughout the refrigerator and freezer, and food in freezer package could dry out.

Packaging recommendations:

- Rigid plastic containers with tight-fitting lids
- Straight-sided canning/freezing jars
- Heavy-duty aluminum foil
- Plastic-coated paper
- Non-permeable plastic wraps
- Specified freezer-grade self-sealing plastic bags

Follow package or container instructions for proper freezing methods.

Do not use

- Bread wrappers
- Non-polyethylene plastic containers
- Containers without tight lids
- Wax paper or wax-coated freezer wrap
- Thin, semi-permeable wrap

⚠ CAUTION: Do not keep beverage cans or plastic beverage containers in the freezer compartment. They may break if they freeze.

Freezing

Your freezer will not quick-freeze any large quantity of food. Do not put more unfrozen food into the freezer than will freeze within 24 hours (no more than 2 to 3 lbs of food per cubic foot of freezer space). Leave enough space in the freezer for air to circulate around packages. Be careful to leave enough room at the front so the door can close tightly.

Storage times will vary according to the quality and type of food, the type of packaging or wrap used (airtight and moisture-proof) and the storage temperature. Ice crystals inside a sealed package are normal. This simply means that moisture in the food and air inside the package has condensed, creating ice crystals.

NOTE: Allow hot foods to cool at room temperature for 30 minutes, then package and freeze. Cooling hot foods before freezing saves energy.

USING YOUR REFRIGERATOR

REFRIGERATOR SHELVES

The shelves in your refrigerator are adjustable to meet your individual storage needs. All the shelves in this unit are glass.

Storing similar food items together in your refrigerator and adjusting the shelves to fit different heights of items will make finding the exact item you want easier; it will also reduce the amount of time the refrigerator door is open, saving energy.

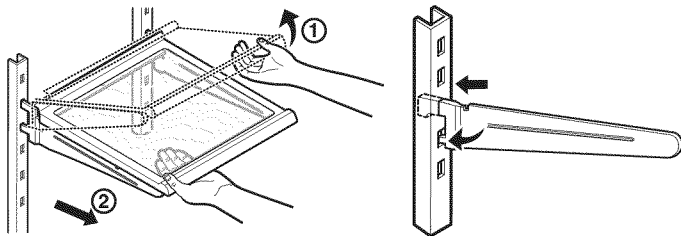
IMPORTANT: Do not clean glass shelves with warm water when they are cold. Shelves may break if exposed to sudden temperature changes or impact, such as bumping. For your protection, glass shelves are made with tempered glass, which will shatter into small pebble-sized pieces.

NOTE: Glass shelves are heavy. Use special care when removing them to avoid dropping them.

Adjustable Shelves

Remove shelves from the shipping position and replace shelves in the position you want.

- **To remove a shelf**— Tilt the front of the shelf upward and pull it out.
- **To replace a shelf**—Tilt the front of the shelf up and place the shelf hooks into metal slots at desired position. Then lower the front of the shelf to secure the hooks in the slots.

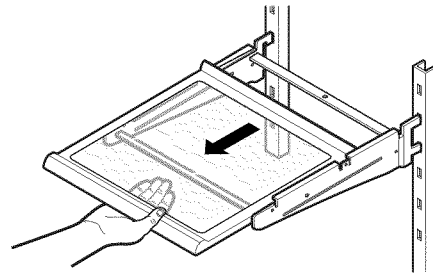


NOTE: Make sure that shelves are level from one side to the other. Failure to do so may result in the shelf falling or spilling food.

Slide Out Shelves (On Some Models)

You can slide some glass shelves in and out of your refrigerator as follows.

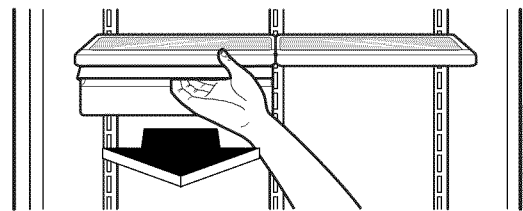
- **To slide the shelf out**, carefully pull front of shelf toward you.
- **To slide shelf in**, push shelf in until it stops.



SNACK DRAWER (On Some Models)

To remove the snack drawer:
Hold drawer by handle, pull forward to drawer stop, lift up and pull out.

To replace snack drawer, slide back in fully past the drawer stop.

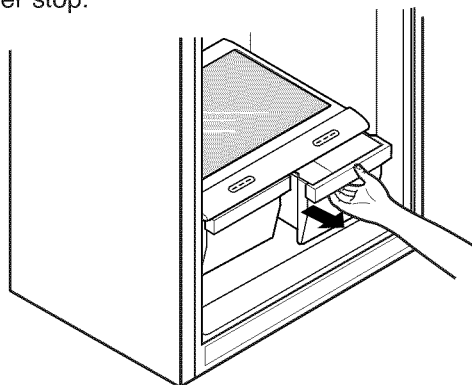


USING YOUR REFRIGERATOR

CRISPER AND CRISPER COVER

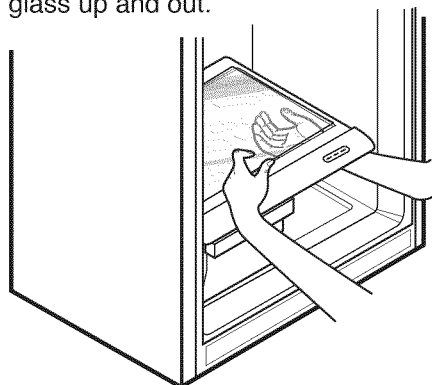
To remove the crisper:

1. Pull crisper drawer out to drawer stop.
2. Lift the drawer up and toward you to pull out and remove.
3. To replace crisper, slide back in fully past the drawer stop.



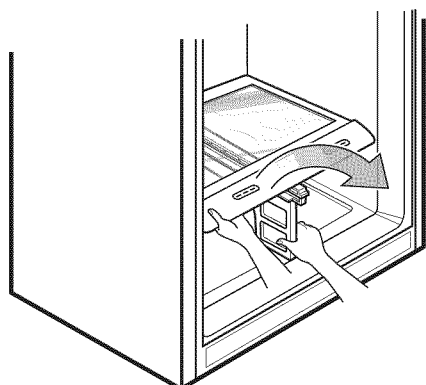
To remove crisper glass:

1. Remove crisper drawers.
2. To remove glass above crispers, reach in under the glass and lift up.
3. Pull glass up and out.







To remove the crisper cover:

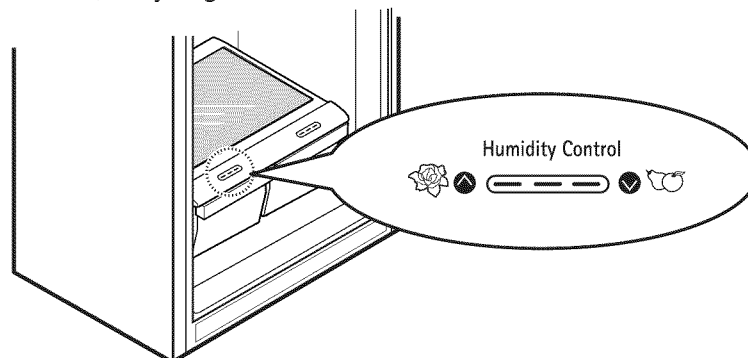
1. Remove both crisper drawers.
2. While holding the center crisper cover support in place, pull the cover up and out.



CRISPER HUMIDITY CONTROL

You can control the amount of humidity in the moisture-sealed crispers. Adjust the control to any setting between  and .

-  lets moist air out of the crisper for best storage of fruits.
-  keeps moist air in the crisper for best storage of fresh, leafy vegetables.



To control the humidity in the crisper compartments, move the slide above each crisper up (more moisture) or down (less moisture)

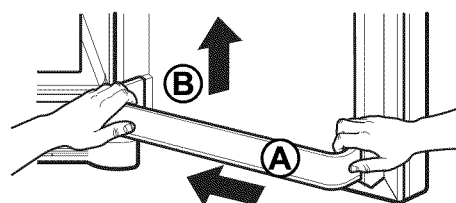
SNAP-ON DOOR RACKS

The door racks may be removed for easier cleaning. Door racks are in both the refrigerator and the freezer. The door racks are force-fitted with tabs and slots.

Snap-On Door Racks

To remove door racks:

1. Remove all items from the door rack.
2. Push sides of rack together while lifting up. Rack will lift out.



To replace the racks:

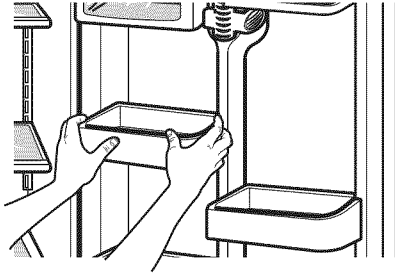
1. Hold door rack ends with both hands tilted slightly downward and push together slightly while fitting tabs on rack into slots in door. Force-fit into place.

USING YOUR REFRIGERATOR

DOOR BINS

The door bins are removable for easy cleaning and adjusting. They have slots in the sides which fit into support slots placed at intervals on refrigerator door.

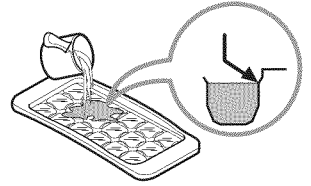
1. To remove a bin, lift the bin up until it clears the support slots and lift out.
2. To replace a bin, push into door and down onto a set of support slots at the desired level.



ICE TRAY (On Some Models)

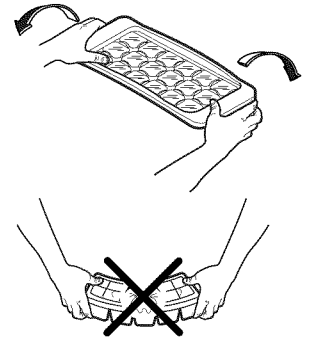
Icemaking

- Pour water to the level indicated in the picture. Do not overfill with water, or ice cubes will be difficult to remove.
- For quick freeze, adjust the freezer dial to 3.



To remove ice cubes, twist the tray.

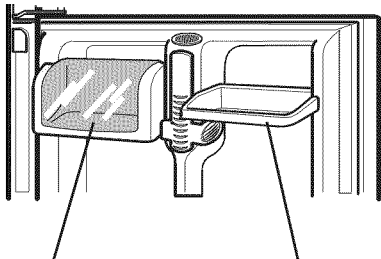
- Do not bend the ice tray. Doing so may result in damage to the tray.
- To remove ice cubes easily, pour water on the back of the tray or soak it in water before removing ice cubes.



DAIRY BIN, CAN RACK (On Some Models)

The dairy bin/can rack can be relocated to another position.

1. To remove the dairy bin / can rack simply lift up and pull out.
2. To replace the bin, slide it in above the desired support slots and push down until it stops.



Dairy Bin

Can Rack

CARE AND CLEANING

⚠ WARNING



Explosion Hazard

Use non-flammable cleaner.

Failure to do so can result in death, explosion or fire.

Both the refrigerator and freezer sections defrost automatically. However, clean both sections about once a month to prevent odors. Wipe up spills immediately.

GENERAL CLEANING TIPS

- Unplug refrigerator or disconnect power.
- Remove all removable parts, such as shelves, crispers, etc.
- To clean shelves, bins and other removable parts, use a clean sponge or soft cloth and a mild detergent in warm water. Do not use abrasive or harsh cleaners.
- Hand wash, rinse and dry all surfaces thoroughly.
- When finished cleaning, don't forget to plug in or reconnect power.

OUTSIDE

Waxing external painted metal surfaces helps provide rust protection. Do not wax plastic parts. Wax painted metal surfaces at least twice a year using appliance wax (or auto paste wax). Apply wax with a clean soft cloth.

Do Not use wax on stainless steel exteriors. Use a product specially designed for polishing stainless steel appliances, or clean with a soft cloth or clean sponge and a mild detergent dissolved in warm water. Dry thoroughly with a soft cloth.

NOTE: Avoid door surface contact with chemical products that contain Phosphate or Chlorine.

INSIDE WALLS (allow freezer to warm up so cloth won't stick)

To help remove odors, you can wash the inside of the refrigerator and freezer with a mixture of baking soda and warm water. Mix 2 tablespoons baking soda to 1 quart of water (26 g soda to 1 liter water.) Be sure the baking soda completely dissolves so it does not scratch the surfaces of the refrigerator.

DOOR LINERS AND GASKETS

Do not use cleaning waxes, concentrated detergents, bleaches or cleaners containing petroleum on plastic parts. Use a clean sponge or soft cloth and a mild detergent in warm water. Wash, rinse and dry all surfaces thoroughly.

PLASTIC PARTS (covers and panels)

Do not use paper towels, window sprays, abrasive cleansers or flammable fluids. These can scratch or damage the material. Use a clean sponge or soft cloth and a mild detergent in warm water. Wash, rinse and dry all surfaces thoroughly.

BACK COVER

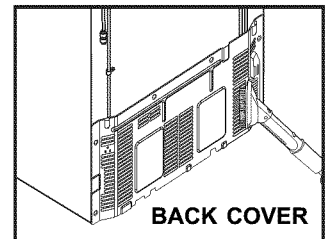
⚠ WARNING

ELECTRICAL SHOCK HAZARD

Before you begin, either unplug the refrigerator or turn off power at the circuit breaker or fuse box. Failure to do so could result in death or serious injury.

NOTE: Back cover should only be removed by a qualified technician.

Clean the vents on the back cover. Use a vacuum cleaner with the brush attachment, at least twice a year to keep your refrigerator working efficiently.



BACK COVER

LIGHT BULB REPLACEMENT

⚠ WARNING

Electrical Shock Hazard

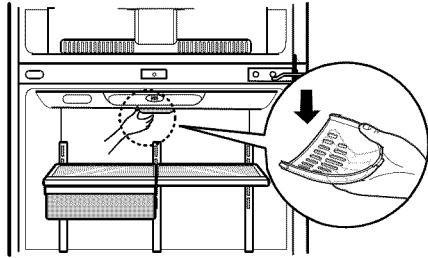
Before replacing a burned-out light bulb, either unplug the refrigerator or turn off power at the circuit breaker or fuse box.

NOTE: Not all appliance bulbs will fit your refrigerator. Be sure to replace the bulb with one of the same size, shape and wattage.

CARE AND CLEANING

To change the refrigerator light:

1. Unplug the power cord from the outlet.
2. Remove refrigerator shelves.
3. Light shield is force fitted and has plastic tabs on each side and a tab in the front. Release the tabs on each side of light shield and push shield toward rear of refrigerator and remove.
4. Turn the bulb counterclockwise and remove.
5. Replace a burned-out light bulb with a new 40 watt bulb, turning it clockwise.
6. To replace light shield, position front tab into slot and carefully force-fit side tabs into slots.
7. Replace the refrigerator shelves.
8. Plug the power cord into the outlet.



POWER INTERRUPTIONS

1. If the power will be out for 24 hours or less, keep all refrigerator doors closed to help foods stay cold and frozen.
2. If the power will be out for more than 24 hours:
 - a) Remove all frozen food and store it in a frozen food locker.**OR**
 - b) Place 2 lbs. (ca 1kg) of dry ice in the freezer for every cubic foot (28 L) of freezer space. This will keep the food frozen for two to four days. While handling dry ice, wear gloves to protect your hands from frostbite.

⚠ WARNING

Suffocation Hazard

When using dry ice, provide adequate ventilation. Dry ice is frozen carbon dioxide (CO_2). When it vaporizes, it can displace oxygen, causing dizziness, light-headedness, unconsciousness and death by suffocation. Open a window and do not breathe the vapors.

OR

- c) If neither a food locker nor dry ice is available, consume or dispose of food at once.

REMEMBER: In a power failure, a full freezer stays cold longer than a partially filled one. A freezer full of meat stays cold longer than a freezer full of baked goods. If you see that food contains ice crystals, it may be safely refrozen, although the quality and flavor may be affected. If the condition of the food is poor, or if you feel it is unsafe, dispose of it.

⚠ WARNING

• **DO NOT** refreeze frozen foods which have thawed completely. The United States Department of Agriculture in Home and Garden Bulletin No. 69 says:

... You may safely refreeze frozen foods that have thawed if they still contain ice crystals or if they are still cold—below 4°C.

... Thawed ground meats, poultry or fish that have any off-odor or off-color should not be refrozen and should not be eaten. Thawed ice cream should be discarded. If the odor or color of any food is poor or questionable, dispose of it. The food may be dangerous to eat.

Even partial thawing and refreezing reduces the eating quality of foods, particularly fruits, vegetables and prepared foods. The eating quality of red meats is affected less than that of many other foods. Use refrozen foods as soon as possible to save as much of their quality as you can.

WHEN YOU GO ON VACATION

If you choose to leave the refrigerator on while you are away, follow these steps to prepare your refrigerator before you leave.

1. Use up any perishables and freeze other items.
2. Empty the ice bin.
3. Turn off the icemaker. **NOTE:** If the ambient temperature will drop below freezing, have a qualified service technician drain the water supply system (on some models) to prevent serious property damage due to possible flooding from ruptured water lines or connections.

If you choose to turn the refrigerator off before you leave, follow these steps.

1. Remove all food from the refrigerator and empty ice bin.
2. Unplug refrigerator.
3. Clean refrigerator, wipe, and dry well.
4. Tape rubber or wood blocks to the tops of both doors to prop them open far enough for air to get in. This stops odor and mold from building up.

WHEN YOU MOVE

When you are moving your refrigerator to a new home, follow these steps to prepare it for the move.

1. Remove all food from the refrigerator and pack all frozen food in dry ice.
2. Unplug refrigerator.
3. Clean refrigerator, wipe, and dry well.
4. Empty water from the defrost pan.
5. Clean, wipe and dry thoroughly.
6. Take out all removable parts, wrap them well and tape them together so they don't shift and rattle during the move. Refer to sections in Using your Refrigerator for removal instructions.
7. Depending on the model, raise the front of the refrigerator so it rolls more easily OR screw in the leveling legs all the way so they don't scrape the floor. See the **LEVELING AND DOOR CLOSING** section.
8. Tape the doors shut and tape the power cord to the refrigerator cabinet.

When you get to your new home, put everything back and refer to the **REFRIGERATION INSTALLATION** section for setup instructions.

ABOUT THE AUTOMATIC ICE MAKER

⚠ WARNING

Personal Injury Hazard

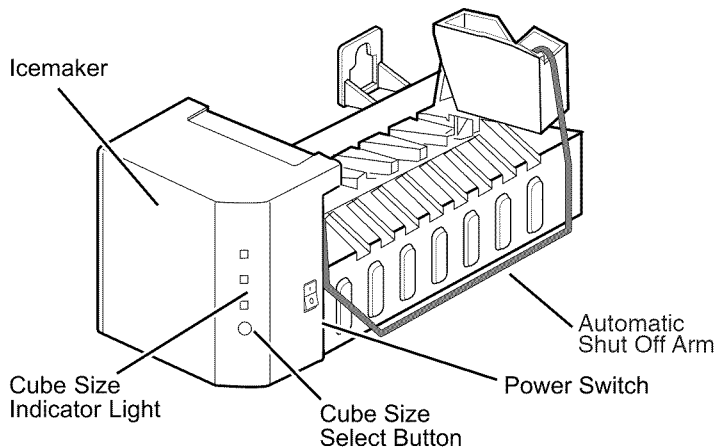
Avoid contact with the moving parts of the ejector mechanism, or with the heating element that releases the cubes. **DO NOT** place fingers or hands on the automatic icemaking mechanism while the refrigerator is plugged in.

The icemaker will begin to operate when it lowers to freezing temperature.

NOTE: Automatic Ice Maker feature is included only in certain models. Other models are Ice Maker ready. Please check your product specifications.

OPERATION INSTRUCTIONS

A newly-installed refrigerator may take 12 to 24 hours to begin making ice.



The icemaker will produce eight cubes per cycle—approximately 100–130 cubes in a 24-hour period, depending on freezer compartment temperature, room temperature, number of door openings and other operating conditions.

If the refrigerator is used before the water connection is made to the icemaker, set the icemaker's power switch to **O (off)**.

When the refrigerator has been connected to the water supply, set the power switch to **I (on)**.

The icemaker will begin to operate when it lowers to freezing temperature. A newly-installed refrigerator may take 12 to 24 hours to begin making ice cubes.

Throw away the first few batches of ice to allow the water line to clear.

Be sure nothing interferes with the sweep of the Automatic Shut Off Arm.

When the bin fills to the level of the Automatic Shut Off Arm, the icemaker will stop producing ice.

It is normal for several cubes to be stuck together.

If ice is not used frequently, old ice cubes will become cloudy, taste stale, and shrink.

NOTE: If the cube size is smaller or larger than you expected, you can regulate the size with the cube size button.

Every time you press the cube size button, the indicator moves up one light. The higher the light position, the larger the cubes will be. Pressing at highest position returns indicator to lowest position.

WHEN YOU SHOULD SET THE ICEMAKER POWER SWITCH TO O (OFF)

- When the water supply will be shut off for several hours.
- When the ice storage bin is removed for more than a minute or two.
- When the refrigerator will not be used for several days.

NORMAL SOUNDS YOU MAY HEAR

- The icemaker water valve will buzz as the icemaker fills with water. If the power switch is in the **I (on)** position, it will buzz even if it has not yet been hooked up to water. To stop the buzzing, move the power switch to **O (off)**.

NOTE: Keeping the power switch in the **I (on)** position before the water line is connected can damage the icemaker.

- You will hear the sound of cubes dropping into the bin and water running in the pipes as the icemaker refills.

CONNECTING THE WATER LINE

BEFORE YOU BEGIN

This water line installation is not warranted by the refrigerator or icemaker manufacturer. Follow these instructions carefully to minimize the risk of expensive water damage.

Water hammer (water banging in the pipes) in house plumbing can cause damage to refrigerator parts and lead to water leakage or flooding. Call a qualified plumber to correct water hammer before installing the water supply line to the refrigerator.

To prevent burns and product damage, do not hook up the water line to the hot water supply.

If you use your refrigerator before connecting the water line, make sure the icemaker power switch is in the **O (off)** position.

Do not install the icemaker tubing in areas where temperatures fall below freezing.

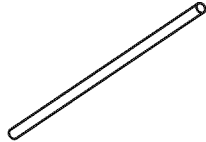
When using any electrical device (such as a power drill) during installation, be sure the device is double-insulated or grounded in a manner to prevent the hazard of electric shock, or is battery-powered.

All installations must be in accordance with local plumbing code requirements.

NOTE: Wear eye protection.

WHAT YOU WILL NEED

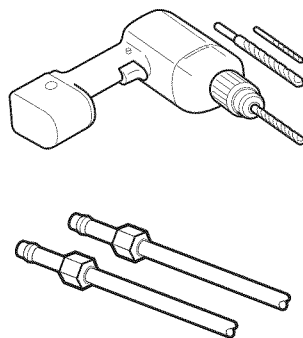
- **Copper Tubing**, 1/4" outer diameter to connect the refrigerator to the water supply. Be sure both ends of the tubing are cut square.



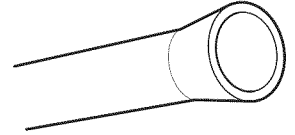
To determine how much tubing you need: Measure the distance from the water valve on the back of the refrigerator to the water supply pipe. Then add 8 feet (2.4 m). Be sure there is sufficient extra tubing (about 8 feet [2.4 m] coiled into 3 turns of about 10" [25 cm] diameter) to allow the refrigerator to move out from the wall after installation.

- **A cold water supply.** The water pressure must be between 20 and 120 p.s.i. on models without a water filter and between 40 and 120 p.s.i. on models with a water filter.

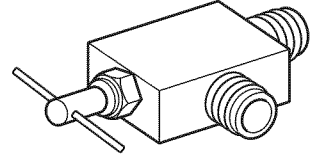
- **Power drill.**
- **1/2" or adjustable wrench.**
- **Flat head- and Phillips-screwdrivers.**
- **Two 1/4" outer diameter compression nuts and 2 ferrules (sleeves)** to connect the copper tubing to the shutoff valve and the refrigerator water valve.



- If your existing copper water line has a flared fitting at the end, you will need an **adapter** (available at plumbing supply stores) to connect the water line to the refrigerator OR you can cut off the flared fitting with a tube cutter and then use a compression fitting.



- **Shutoff valve to connect to the cold water line.** The shutoff valve should have a water inlet with a minimum inside diameter of 5/32" at the point of connection to the COLD WATER LINE. Saddle-type shutoff valves are included in many water supply kits. Before purchasing, make sure a saddle-type valve complies with your local plumbing codes.



NOTE: Self Piercing Saddle Type Water Valve should not be used.

INSTALLATION INSTRUCTIONS

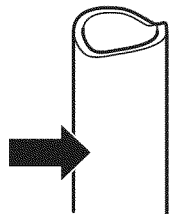
Install the shutoff valve on the nearest frequently used drinking water line.

1. SHUT OFF THE MAIN WATER SUPPLY

Turn on the nearest faucet to relieve the pressure on the line.

2. CHOOSE THE VALVE LOCATION

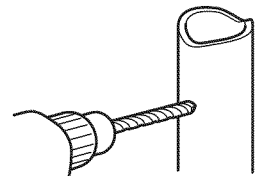
Choose a location for the valve that is easily accessible. It is best to connect into the side of a vertical water pipe. When it is necessary to connect into a horizontal water pipe, make the connection to the top or side, rather than at the bottom, to avoid drawing off any sediment from the water pipe.



3. DRILL THE HOLE FOR THE VALVE

Drill a 1/4" hole in the water pipe using a sharp bit. Remove any burrs resulting from drilling the hole in the pipe. Take care not to allow water to drain into the drill.

Failure to drill a 1/4" hole may result in reduced ice production or smaller cubes. **NOTE:** The hookup line cannot be white, plastic tubing. Licensed plumbers must use only copper tubing NDA tubing #49595 or 49599 or Cross Link Polyethylene(PEX) tubing.

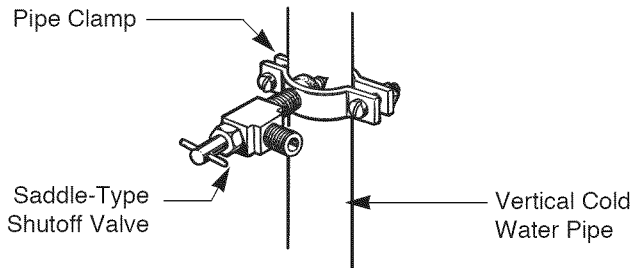


CONNECTING THE WATER LINE

INSTALLATION INSTRUCTIONS (CONTINUED)

4. FASTEN THE SHUTOFF VALVE

Fasten the shutoff valve to the cold water pipe with the pipe clamp.

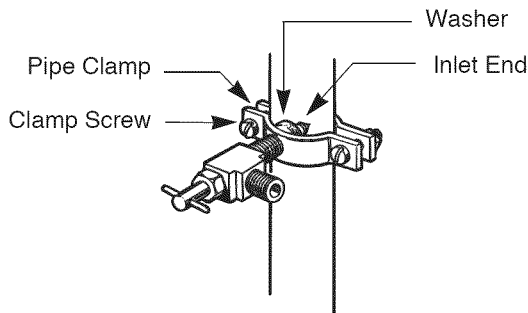


NOTE: Commonwealth of Massachusetts Plumbing Codes 248CMR shall be adhered to. Saddle valves are illegal and use is not permitted in Massachusetts. Consult with your licensed plumber.

5. TIGHTEN THE PIPE CLAMP

Tighten the clamp screws until the sealing washer begins to swell.

NOTE: Do not overtighten or you may crush the tubing.



6. ROUTE THE TUBING

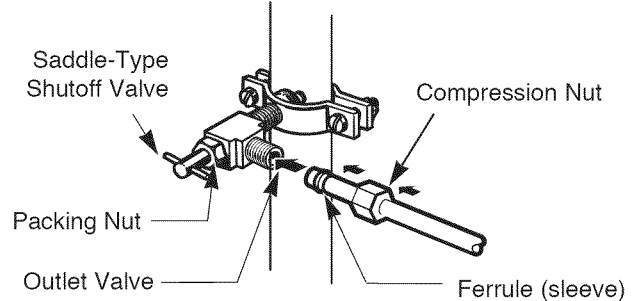
Route the tubing between the cold water line and the refrigerator.

Route the tubing through a hole drilled in the wall or floor (behind the refrigerator or adjacent base cabinet) as close to the wall as possible.

NOTE: Be sure there is sufficient extra tubing (about 8 feet coiled into 3 turns of about 10" diameter) to allow the refrigerator to move out from the wall after installation.

7. CONNECT THE TUBING TO THE VALVE

Place the compression nut and ferrule (sleeve) for copper tubing onto the end of the tubing and connect it to the shutoff valve. Make sure the tubing is fully inserted into the valve. Tighten the compression nut securely.

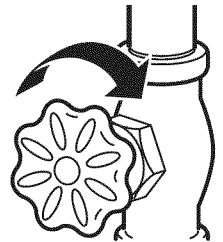


NOTE: Commonwealth of Massachusetts Plumbing Codes 248CMR shall be adhered to. Saddle valves are illegal and use is not permitted in Massachusetts. Consult with your licensed plumber.

8. FLUSH OUT THE TUBING

Turn the main water supply on and flush out the tubing until the water is clear.

Shut the water off at the water valve after about one quart of water has been flushed through the tubing.



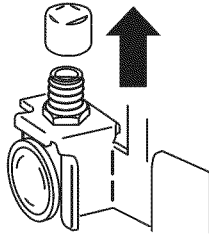
CONNECTING THE WATER LINE

9. CONNECT THE TUBING TO THE REFRIGERATOR

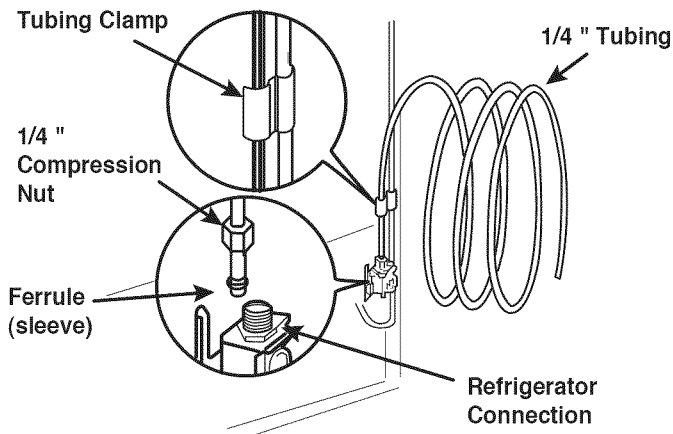
NOTE:

- Before making the connection to the refrigerator, be sure the refrigerator power cord is not plugged into the wall outlet.
- If your refrigerator does not have a water filter, we recommend installing one if your water supply has sand or particles that could clog the screen of the refrigerator's water valve. Install the filter in the water line near the refrigerator.

1. Remove the plastic flexible cap from the water valve.
2. Place the compression nut and ferrule (sleeve) onto the end of the tubing as shown.
3. Insert the end of the copper tubing into the connection as far as possible. While holding the tubing, tighten the fitting.



⚠ CAUTION: Check to see if leaks occur at water line connections.

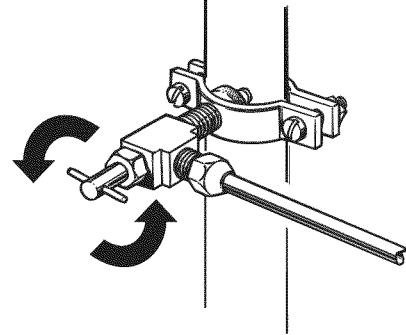


⚠ CAUTION: Check to see if water dripping occurs at water line connections.

10. TURN THE WATER ON AT THE SHUTOFF VALVE

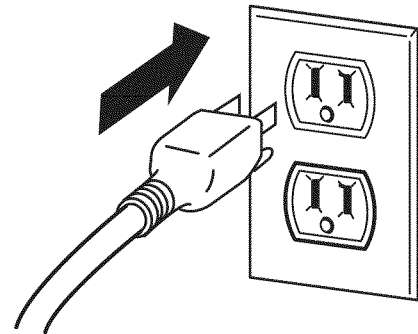
Tighten any connections that leak.

Reattach the compressor compartment access cover.



11. PLUG IN THE REFRIGERATOR

Arrange the coil of tubing so that it does not vibrate against the back of the refrigerator or against the wall. Push the refrigerator back to the wall.



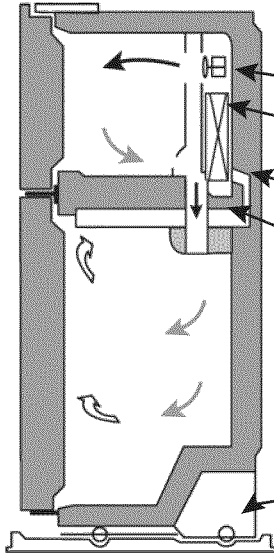
12. START THE ICEMAKER

Set the icemaker power switch to the **ON** position. The icemaker will not begin to operate until it reaches its operating temperature of 15°F (-9°C) or below. It will then begin operation automatically if the icemaker power switch is in the **I (on)** position.

TROUBLESHOOTING GUIDE

UNDERSTANDING SOUNDS YOU MAY HEAR

Your new refrigerator may make sounds that your old one didn't make. Because the sounds are new to you, you might be concerned about them. Most of the new sounds are normal. Hard surfaces, like the floor, walls and cabinets, can make the sounds seem louder than they actually are. The following describes the kinds of sounds and what may be making them.

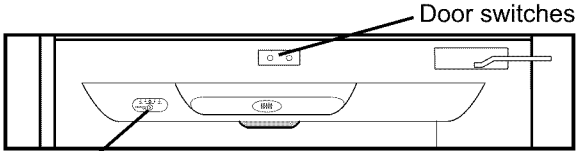


- The defrost timer will click when the automatic defrost cycle begins and ends. The thermostat control (or refrigerator control, depending on the model) will also click when cycling on and off.
- Rattling noises may come from the flow of refrigerant, the water line or items stored on top of the refrigerator.
- Your refrigerator is designed to run more efficiently to keep your food items at the desired temperature. The high efficiency compressor may cause your new refrigerator to run longer than your old one, but it will take less energy to run. You may hear a pulsating or high-pitched sound.
- You may hear the evaporator fan motor circulating the air through the refrigerator and freezer compartments.
- As each cycle ends, you may hear a gurgling sound due to the refrigerant flowing in your refrigerator.
- Contraction and expansion of the inside walls may cause a popping noise.
- Water dripping on the defrost heater during a defrost cycle may cause a sizzling sound.
- You may hear air being forced over the condenser by the condenser fan.
- You may hear water running into the drain pan during the defrost cycle.

REFRIGERATOR DOES NOT OPERATE

Check if...

Then...

The power supply cord is unplugged.	Firmly plug the cord into a live outlet with proper voltage.
A household fuse has blown or circuit breaker tripped.	Replace the fuse or reset the circuit breaker.
The control panel lights are blinking sequentially (1-2-3-4-5):	<p>The refrigerator control has been put into the store Demo (Demonstration) Mode.</p> <p>To exit the Demo Mode:</p> <ol style="list-style-type: none"> 1. Open both the refrigerator and freezer doors. 2. Push in both door switches and at the same time press and hold the Temperature Adjust button for 5 seconds. <div style="text-align: center;">  <p style="text-align: center;">Temp. Adjust Button</p> </div>
Refrigerator is in the defrost cycle.	Wait about 30 minutes for defrost cycle to end.

VIBRATION OR RATTLING NOISE

Check if...

Then...

The refrigerator is not resting solidly on the floor.	Floor is weak or uneven or leveling legs need adjusting. See LEVELING AND DOOR CLOSING section .
---	---

TROUBLESHOOTING GUIDE

LIGHTS DO NOT WORK

Check if...

Then...

The power supply cord is unplugged.	Firmly plug the cord into a live outlet with proper voltage.
Light bulb is loose in the socket.	Either unplug the refrigerator or turn off power at the circuit breaker or fuse box. Gently remove the bulb and reinsert. Then plug in refrigerator and reset the refrigerator control.
Light bulb has burned out.	Either unplug the refrigerator or turn off power at the circuit breaker or fuse box. Replace with an appliance bulb of the same wattage, size and shape available at your local hardware store. (See the LIGHT BULB REPLACEMENT section.)

COMPRESSOR MOTOR SEEMS TO RUN TOO MUCH

Check if...

Then...

The refrigerator that was replaced was an older model.	Modern refrigerators with more storage space require more operating time.
The room temperature is hotter than normal.	The motor will run longer under warm conditions. At normal room temperatures, expect your motor to run about 40% to 80% of the time. Under warmer conditions, expect it to run even more often.
The door is opened often or a large amount of food has just been added.	Adding food and opening the door warms the refrigerator. It is normal for the refrigerator to run longer in order to cool the refrigerator back down. Adding a large amount of food warms the refrigerator. See the FOOD STORAGE GUIDE section. In order to conserve energy, try to get everything you need out of the refrigerator at once; also keep food organized so it is easy to find and close the door as soon as the food is removed.
The refrigerator was recently plugged in and the refrigerator control was set correctly.	The refrigerator will take up to 24 hours to cool completely.
The refrigerator control is not set correctly for the surrounding conditions.	See the ADJUSTING CONTROL SETTINGS section
The doors are not closed completely.	Push the doors firmly shut. If they will not shut all the way, see "Doors will not close completely" below.
The condenser coils are dirty.	This prevents air transfer and makes the motor work harder. Clean the condenser coils. Refer to the CARE AND CLEANING section.

DOORS WILL NOT CLOSE COMPLETELY

Check if...

Then...

The refrigerator is not level.	See the REFRIGERATOR INSTALLATION, LEVELING AND DOOR ALIGNMENT section to level refrigerator.
Food packages are blocking the door open.	Rearrange food containers to clear door and door shelves.
The ice bin, crisper cover, pans, shelves, door bins or baskets are out of position.	Push bins all the way in and put crisper cover, pans, shelves and baskets into their correct positions. See the USING YOUR REFRIGERATOR section
The gaskets are sticking.	Clean gaskets and the surface that they touch. Rub a thin coat of paraffin wax on the gaskets after cleaning.
The refrigerator wobbles or seems unstable.	Level the refrigerator. Refer to the LEVELING AND DOOR CLOSING section
The doors were removed during product installation and not properly replaced.	Remove and replace the doors according to the REMOVING AND REPLACING DOORS or REVERSING DOORS section, or call a Sears or other qualified service technician.

TROUBLESHOOTING GUIDE

FROST OR ICE CRYSTALS ON FROZEN FOOD

Check if...	Then...
The door is not closing properly.	See "Doors will not close completely" above.
The door is opened often.	When the door is opened, warm, humid air is allowed in the freezer resulting in frost.

ICE HAS OFF-TASTE OR ODOR

Check if...	Then...
The icemaker was recently installed.	Discard first few batches of ice to avoid discolored or off-flavored ice.
The ice has been stored for too long.	Throw away old ice and make new supply.
The food has not been wrapped tightly in either compartment.	Rewrap foods since odors may migrate to the ice if food is not wrapped properly.
The water supply contains minerals such as sulfur.	A filter may need to be installed to eliminate taste and odor problems.
The interior of refrigerator needs cleaning.	See CARE AND CLEANING section.
Ice storage bin needs cleaning.	Empty and wash bin. Discard old cubes.

THERE IS WATER IN THE DEFROST DRAIN PAN

Check if...	Then...
The refrigerator is defrosting.	The water will evaporate. It is normal for water to drip into the defrost pan.
It is more humid than normal.	Expect that the water in the defrost pan will take longer to evaporate. This is normal when it is hot or humid.

THE REFRIGERATOR SEEMS TO MAKE TOO MUCH NOISE

Check if...	Then...
The sounds may be normal for your refrigerator.	Refer to the UNDERSTANDING SOUNDS YOU MAY HEAR section

THE ICEMAKER IS NOT PRODUCING ICE OR ICE CUBES ARE FREEZING TOO SLOWLY

Check if...	Then...
The freezer temperature is cold enough to produce ice.	Wait 24 hours after hook-up for ice production. See the SETTING THE CONTROLS section.
Door left open.	Check to see if something is holding door open.

CUBES PRODUCED BY ICEMAKER ARE TOO SMALL

Check if...	Then...
Smaller cube size level is selected.	Select larger cube size using cube size selector.
Water shutoff valve connecting refrigerator to water line may be clogged.	Call a plumber to clear the valve.

TROUBLESHOOTING GUIDE

THE DOORS ARE DIFFICULT TO OPEN

Check if...	Then...
The gaskets are dirty or sticky.	Clean gaskets and the surfaces that they touch. Rub a thin coat of paraffin wax on the gaskets following cleaning.
The door is reopened within a short time after having been opened.	When you open the door, warmer air enters the refrigerator. As the warm air cools, it can create a vacuum. If the door is hard to open, wait 5 minutes to allow the air pressure to equalize, then see if it opens more easily.

AUTOMATIC ICEMAKER DOES NOT WORK (Icemaker On Some Models)

Check if...	Then...
Icemaker power switch in the O (off) position.	Move the switch to the I (on) position.
Water supply turned off or not connected.	See the CONNECTING THE WATER LINE section.
Freezer compartment too warm.	Wait 24 hours for the freezer to reach its ideal temperature.
Piled up cubes in the storage bin cause the icemaker to shut off.	Level cubes by hand.

TEMPERATURE IS TOO WARM OR THERE IS INTERIOR MOISTURE BUILDUP

Check if...	Then...
The air vents are blocked. Cold air circulates from the freezer to the fresh food section and back again through air vents in the wall dividing the two sections.	Locate air vents by using your hand to sense airflow and move all packages that block vents and restrict airflow. Refer To ENSURING PROPER AIR CIRCULATION for the location of air vents.
The doors are opened often.	When the door is opened, warm humid air is allowed into the refrigerator. The more the door is opened, the faster the humidity builds up, and the more warm air the refrigerator must cool. In order to keep the refrigerator cool, try to get everything you need out of the refrigerator at once; also, keep food organized so it is easy to find and close the door as soon as the food is removed.
The control is not set correctly for the surrounding conditions.	Refer to the SETTING THE CONTROLS section. Wait 24 hours for temperatures to stabilize or even out. If the temperature is too cold or too warm, move the dial one number at a time.
A large amount of food has just been added to the refrigerator or freezer.	Adding food warms the refrigerator. It can take a few hours for the refrigerator to return to normal temperature.
The food is not packaged correctly.	Wrap food tightly and wipe off damp containers prior to storing in the refrigerator to avoid moisture accumulation. If necessary, repackage food according to the guidelines in the FOOD STORAGE GUIDE section.
The doors are not closing completely.	See " Doors will not close completely ".
The weather is humid.	In humid weather, air carries moisture into refrigerator when doors are opened.
A self-defrost cycle was completed.	It is normal for droplets to form on the back wall after the refrigerator self-defrosts.

TABLA DE CONTENIDO

Garantía y Registro del Producto	33-34	Control de Humedad para el Compartimiento de Verduras	50
Instrucciones de Seguridad	35-36	Anaqueles de la Puerta	50-51
		Compartimientos de la Puerta	51
Requisitos de Conexión a Tierra	36	Compartimiento para Lácteos/ Anaqueles para Latas	51
Partes y Funciones	37	Recipiente para Hielo	51
Instalación del Refrigerador	38-45	Cuidado y Limpieza	52-53
Desempaquetar su Refrigerador	38	Consejos Generales de Limpieza	52
Instalación	38	Exterior	52
Parrilla de Base	38	Paredes Internas	52
Quitando y Reemplazando Puertas	39-40	Revestimientos y Juntas de la Puerta	52
Puertas Reversibles	40-45	Partes Plásticas	52
Nivelación y Cierre de Puerta/ Alineamiento de Puerta	45	Cambio de Focos de Luz	52-53
		Interrupciones de Corriente	53
Utilizando su Refrigerador	46-51	Vacaciones y Cuidados durante una mudanza	53
Asegurando el Flujo de Aire Adecuado	46	Sobre la Máquina Automática de Hacer Hielo	54
Configurando los Controles	46		
Ajustando los Niveles de Control	47	Conectando la Tubería de Agua	55-57
Guía para Almacenar Alimentos	47		
Almacenando Alimentos Congelados	48	Guía de Solución de Problemas	58-61
Estantes del Refrigerador	49-51		
Gaveta de Meriendas	49		
Sección y Tapa del Compartimiento de Verduras	50		



CONGELADOR SUPERIOR REFRIGERADOR

Garantía de Electrodomésticos Kenmore

Garantía Limitada de Un Año

Si el producto se instala, funciona y se mantiene de acuerdo a todas las instrucciones provistas con el producto, y aún así falla debido a un defecto en materiales o mano de obra en el tiempo de un año desde la fecha de compra, llame al 1-800-4-MY-HOME® para coordinar gratis la reparación.

Si este producto se utiliza para otros usos que no sean el de su hogar, entonces esta garantía sólo aplica por 90 días desde la fecha de compra.

Esta Garantía cubre solo defectos en materiales y en la mano de obra. Sears NO pagará por:

1. Artículos prescindibles que se desgastan por el uso normal, incluyendo pero no limitándose a filtros, correas, focos de luz y bolsas.
2. Un técnico de servicio que enseñe al usuario la forma correcta de instalación, funcionamiento y mantenimiento del producto.
3. Un técnico de servicio que limpie o le de mantenimiento al producto.
4. Daño o mal funcionamiento de este producto si no se instala, funciona o mantiene de acuerdo a las instrucciones provistas con el producto.
5. Daño o mal funcionamiento de este producto como resultado de un accidente, abuso, maltrato u otro uso diferente al intencionado.
6. Daño o mal funcionamiento de este producto causado por el uso de detergentes, limpiadores, químicos, o utensilios a parte de los recomendados en todas las instrucciones provistas con el producto.
7. Daño o mal funcionamiento de las partes o sistemas como resultado de modificaciones no autorizadas hechas al producto.

Exclusión de garantías implícitas; limitación de recursos

El recurso único y exclusivo del cliente según los términos de esta garantía limitada será el de reparar el producto según se estipula en la presente. Las garantías implícitas incluyendo las garantías de comerciabilidad o capacidad para un propósito particular están limitadas a un año o el periodo de tiempo más corto permitido por ley. Sears no se responsabilizará por daños incidentales o consecuentes. Algunos estados o provincias no permiten las exclusiones o limitaciones por daños incidentales o consecuentes, o limitaciones en la duración de garantías implícitas de comerciabilidad o capacidad, de modo que estas exclusiones o limitaciones pueden que no le apliquen.

Esta garantía aplica solamente cuando este producto se utilice en Estados Unidos y Canadá.

Esta garantía le otorga derechos legales específicos y puede que también tenga otros derechos que pueden variar de un estado a otro.

Sears, Roebuck and Co., Hoffman Estates, IL 60179
Sears Canada, Inc., Toronto, Ontario, Canada M5B 2B8

ACUERDOS DE PROTECCIÓN

Acuerdos de Protección Principal

¡Felicidades en su nueva compra inteligente! Su nuevo producto Kenmore® está diseñado y fabricado para años de funcionamiento confiable. Pero como todos los productos, puede que requiera mantenimiento preventivo o arreglo de vez en cuando. Y al tener un Acuerdo de Protección Principal se ahorrará dinero y molestias.

El Acuerdo de Protección Principal también le ayuda a extender la vida de su nuevo producto. A continuación lo que incluye el Acuerdo*:

- Partes y trabajos** necesarios para ayudar a mantener los productos operando correctamente bajo el uso normal, no solo defectos. **Nuestra cobertura va más allá de la garantía del producto.** Deducibles, ni fallas funcionales son excluidas de la cobertura – **protección realmente.**
- Servicio experto** por una una fuerza de trabajo de más de **10,000 técnicos de servicio Sears autorizados**, lo que significa que puede confiar en la persona que estará trabajando con su producto.
- Llamadas de servicio ilimitadas y servicio en toda la nación**, todas las veces que nos necesite, donde quiera que sea.
- “No-limón” garantizado** – reemplazo de su producto en cobertura, si el producto tiene cuatro o más fallas dentro de doce meses.
- Reemplazo de producto** si su producto en cobertura no tiene Arreglo.
- Chequeo Anual de Mantenimiento Preventivo cuando lo Pida** – sin cargo adicional.
- Ayuda rápida por teléfono – le llamamos Resolución Rápida** – apoyo telefónico de un representante de Sears para todos los productos. **Considérenos** como “el manual del usuario hablado”.
- Protección de corriente** contra daños eléctricos debido a las fluctuaciones de electricidad.
- Protección por Pérdida de Alimentos de \$250** anualmente por el deterioro de alimentos como resultado de una falla mecánica de cualquier refrigerador o congelador en cobertura.
- Reembolso de alquiler si la reparación** de su producto en cobertura tarda más de lo prometido.
- 10% de descuento** del precio regular de cualquier servicio de reparación no cubierto y partes instaladas relacionadas.

Una vez compre el Acuerdo, una simple llamada es lo que necesita hacer para coordinar el servicio. Puede llamar en cualquier momento del día o la noche, o puede coordinar el servicio a través del internet.

El Acuerdo de Protección Principal es una compra libre de riesgos. Si usted cancela por alguna razón durante el periodo de la garantía, le proveeremos un reembolso completo. O un reembolso prorrateado en cualquier momento luego de que la garantía del producto expire. ¡Compre su Acuerdo de Protección Principal hoy mismo!

Aplican algunas limitaciones y exclusiones. Para precios e información adicional en EE.UU. llame al 1-800-827-6655.

***Cobertura en Canadá varía en algunos artículos. Para detalles completos llame a Sears Canadá al 1-800-361-6655.**

Servicio de Instalación Sears

Para la instalación profesional Sears de electrodomésticos, abridores de puertas de garaje, calentadores de agua, y otros enseres del hogar, llame en EE.UU o Canadá al 1-800-4-MY-HOME®.

REGISTRO DEL PRODUCTO

En el espacio provisto abajo, registre la fecha de compra, el modelo y número de serie de su producto. Encontrará el modelo y el número de serie impresos en una etiqueta de identificación localizada en el lado derecho del compartimiento del refrigerador. Tenga esta información disponible cuando contacte a Sears en relación a su producto.

Número de Modelo _____

Fecha de Compra _____

Número de Serie _____

Comerciante _____

Guarde estas instrucciones y adjunte su recibo de compra para referencias futuras.

INSTRUCCIONES IMPORTANTES DE SEGURIDAD

MENSAJES DE SEGURIDAD

Esta guía contiene muchos mensajes importantes de seguridad. Siempre lea y obedezca todos los mensajes de seguridad.



Este es el símbolo de advertencia de seguridad. Le avisa de mensajes de seguridad que le informan sobre peligros potenciales que pueden ocasionar la muerte o una lesión a usted y los demás, o causar daño al producto.

Todos los mensajes serán precedidos por el símbolo de alerta de seguridad y de la palabra PELIGRO, ADVERTENCIA o PRECAUCIÓN. Estas palabras significan:

! PELIGRO

Si no sigue las instrucciones, usted puede morir o sufrir una lesión grave.

! ADVERTENCIA

Si no sigue las instrucciones, usted puede morir o sufrir una lesión grave.

! PRECAUCIÓN

Indica una situación de peligro inminente, la cual si no se evita puede resultar en heridas medianas o pequeñas, o solamente en el daño del producto.

Todos los mensajes de seguridad le dirán el peligro potencial, le dirán cómo reducir las posibilidades de sufrir una lesión y lo que puede suceder si no se siguen las instrucciones.

! ADVERTENCIA

Para reducir el riesgo de incendio, choque eléctrico, o lesiones personales al usar su producto, debe seguir precauciones básicas de seguridad, incluyendo las siguientes:

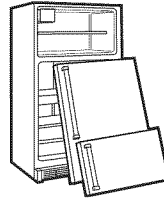
- Nunca desconecte su refrigerador halando el cable de electricidad. Siempre sujete el enchufe firmemente y hale directamente del receptáculo.
- Arregle o reemplace inmediatamente todos los cables eléctricos que se han dañado o raído. No utilice un cable que esté desgastado o con abraciones en la parte del cable o en su receptáculo.
- Cuando mueva su refrigerador de la pared tenga cuidado en no pasarle por encima o dañar el cable de electricidad.
- NO almacene o utilice gasolina u otros vapores y líquidos inflamables en la cercanía de este o de otros enseres.
- NO permita que niños se trepen, paren o cuelguen de las puertas o estantes del refrigerador. Pueden dañarlo y ocasionarse alguna herida seria.
- Mantenga sus dedos fuera de áreas peligrosas de pinchazos; los espacios entre las puertas y entre las puertas de los gabinetes son pequeñas. Tenga cuidado cerrándolas cuando haya niños en el área.
- Desconecte su refrigerador antes de limpiarlo o de hacer cualquier reparación. **NOTA:** Le recomendamos que cualquier servicio sea realizado por un individuo capacitado.
- Antes de reemplazar un foco de luz fundido, desconecte el refrigerador o interrumpa la corriente de electricidad en el cortacircuitos o caja de fusibles para evitar contacto con un filamento de cable abierto. (Un foco de luz fundido puede quebrarse al ser reemplazado). **NOTA:** Ajustando uno o ambos controles al modo de **APAGADO** no corta del todo la electricidad al circuito de la luz.
- No almacene botellas en el compartimiento del congelador – pueden quebrarse al esta congeladas y causar algún peligro.

- Por seguridad personal, este producto tiene que estar debidamente conectado al terminal de conexión de tierra. Haga que un electricista le revise el circuito y el receptáculo de la pared para confirmar que la salida está debidamente conectada.
- Lea todas las instrucciones antes de utilizar este producto.
- Utilice este producto para su uso intencionado según descrito en la guía de uso y cuidado.
- Este refrigerador debe estar debidamente instalado de acuerdo a las Instrucciones de Atención para Instalación que están pegadas en la parte de al frente del refrigerador.
- Luego de que su refrigerador esté funcionando, no toque con manos húmedas o mojadas las superficies frías dentro del congelador. La piel puede pegarse a las superficies extremadamente frías.
- En refrigeradores con máquinas de hielo automáticas, evite el contacto con las partes en movimiento del mecanismo expulsor o del elemento calentador que libera los cubos de hielo. NO coloque los dedos o las manos en el mecanismo automático cuando el refrigerador esté conectado.
- NO vuelva a congelar alimentos que han sido descongelados completamente. El Departamento de Agricultura de los Estados Unidos en el Boletín #69 de Hogar y Jardinería establece que:
“...Usted puede volver a congelar de manera segura, alimentos que se han descongelado si los mismos aún contienen cristales de hielo o si aún están fríos por debajo de 40°F (4°C).”
“...Carnes picadas, aves o pescados que tengan un olor o color raro no deben volverse a congelar y no deben consumirse. Helado derretido debe desecharse. Si el color u olor de cualquier alimento es dudoso o de mala apariencia, elimínelo. Los alimentos puede que sean peligrosos para el consumo.”
“Incluso el descongelar parcialmente y volver a congelar reduce la calidad de consumo de los alimentos, particularmente en las frutas, vegetales y alimentos preparados. La calidad de consumo de las carnes rojas se afecta menos que el de muchos otros alimentos. Utilice los alimentos que ha vuelto a congelar tan pronto pueda para aprovechar al máximo su calidad de consumo”.

CONSERVE ESTAS INSTRUCCIONES

⚠ PELIGRO: RIESGO DE NIÑOS QUEDAR ATRAPADOS

El quedar atrapados y la sofocación en niños no es un problema del pasado. Los refrigeradores tirados y abandonados son un peligro... aún si van a quedar ahí "por unos pocos días". Si usted está por deshacerse de su refrigerador viejo, por favor siga las instrucciones a la derecha para ayudar a prevenir accidentes.



ANTES DE TIRAR SU VIEJO REFRIGERADOR O CONGELADOR:

- Saque las puertas.
- Deje los estantes en su lugar para que los niños no puedan meterse con facilidad.

ELIMINACIÓN DE CFC

Su viejo refrigerador tiene un sistema de enfriamiento que utiliza CFC (clorofluorocarburo). Se cree que el CFC daña el ozono estratosférico.

Si usted está por deshacerse de su refrigerador viejo, asegúrese que el refrigerante CFC sea removido por un profesional para desecharlo adecuadamente. Si usted libera intencionalmente el refrigerante CFC, puede que esté sujeto a multas y encarcelamiento bajo la legislación de disposición ambiental.

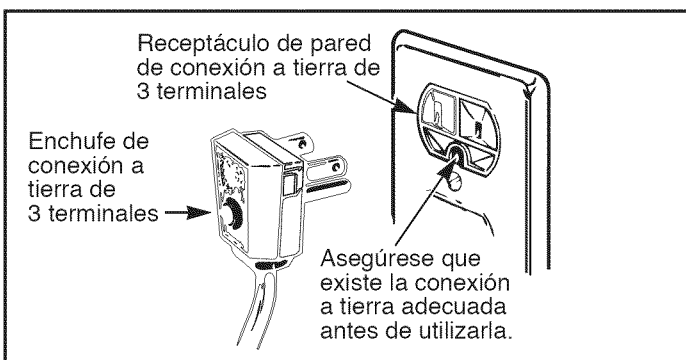
REQUISITOS DE CONEXIÓN A TIERRA

IMPORTANTE Por favor lea cuidadosamente. PARA CONECTAR LA ELECTRICIDAD

⚠ ADVERTENCIA

Peligro de Choque Eléctrico

POR SEGURIDAD PERSONAL, este producto tiene que estar debidamente conectado al terminal de conexión de tierra. Haga que un electricista le revise el circuito y el receptáculo de la pared para confirmar que la salida está debidamente conectada.



MÉTODO RECOMENDADO PARA LA CONEXIÓN A TIERRA

El refrigerador siempre debe estar conectado propiamente a su receptáculo individual de conexión a tierra con fuente de energía eléctrica de 115 Voltios, 60 Hz, de AC solamente y con fusibles de 15 ó 20 amperios. Esto provee el mejor desempeño del producto y también previene el sobre cargar los circuitos del hogar, que podrían causar un peligro de incendio por los cables sobrecalentados.

Se recomienda que use un circuito separado sólo para su refrigerador. Use un tomacorriente que no se pueda apagar con un interruptor. No use un cable eléctrico de extensión.

Si se da el caso de que su pared tiene un receptáculo de 2 terminales, es su responsabilidad y obligación reemplazar el receptáculo con uno de pared de conexión a tierra de 3 terminales.

Por ninguna circunstancia, corte o remueva el tercer terminal (de conexión a tierra) del cable de electricidad.

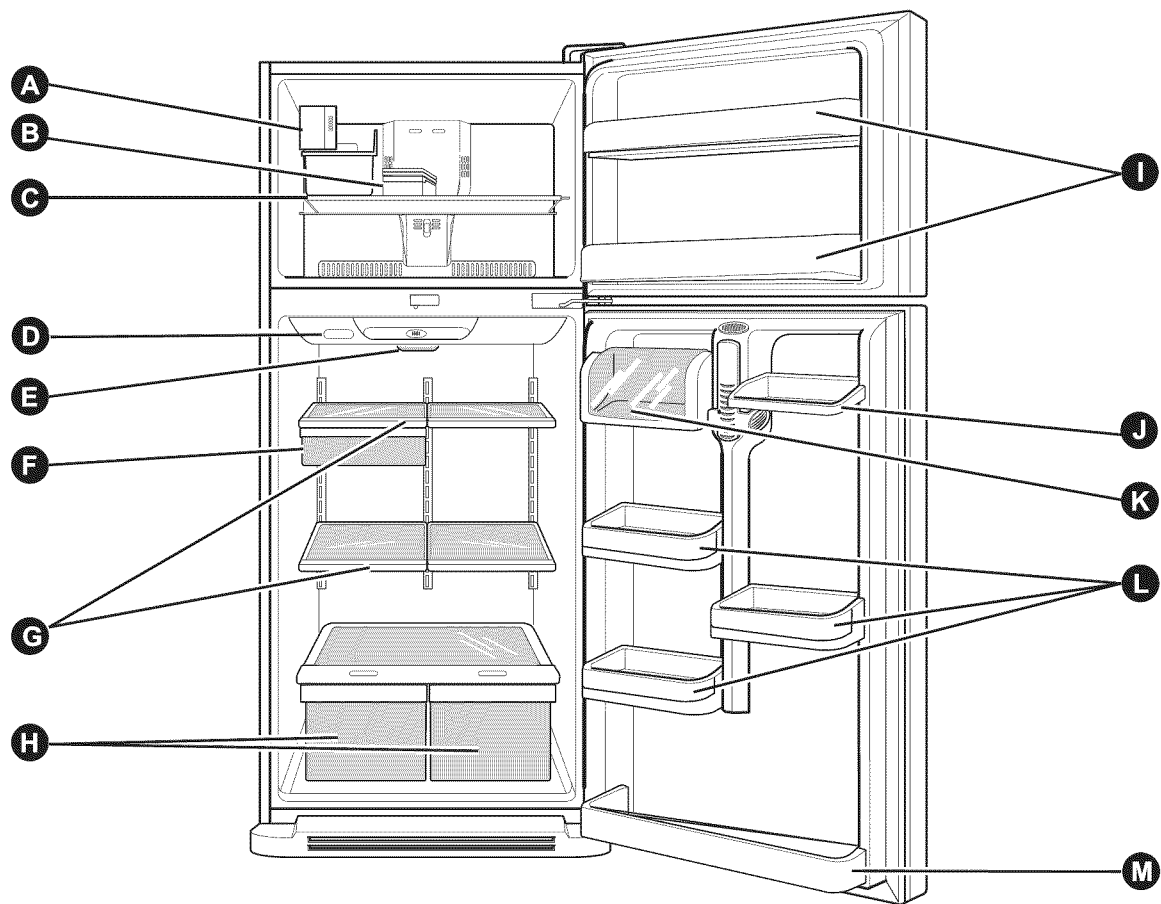
NOTA: Antes de realizar cualquier tipo de instalación, limpieza o quitar un foco de luz, ponga el control (del termostato, del refrigerador o del congelador dependiendo del modelo) en la posición OFF (Apagado) y luego desconecte el refrigerador de la fuente de electricidad. Cuando haya terminado, reconecte el refrigerador a la fuente de energía eléctrica y vuelva a poner el control (del termostato, del refrigerador o del congelador dependiendo del modelo) en la posición deseada.

UTILIZANDO CABLES DE EXTENSIÓN

Debido a los potenciales peligros de seguridad de ciertas condiciones, no recomendamos el uso un cable de extensión. Aunque si aún así elige utilizar un cable de extensión, es absolutamente necesario que sea uno UL (en Estados Unidos) o CSA (en Canadá) con cable de extensión de 3 terminales de conexión a tierra con enchufe y receptáculo del mismo estilo para 15 amperios (mínimo) y 120 voltios.

El uso de un cable de extensión aumenta el espacio que se necesita detrás del refrigerador.

PARTES Y FUNCIONES



Utilice esta sección para familiarizarse con las partes y funciones. Se incluyen las referencias de páginas para su conveniencia.

NOTA: Esta guía cubre varios modelos distintos. El refrigerador que ha comprado puede contener algunos o todos los artículos mencionados abajo. La ubicación de las funciones presentadas puede que no sean iguales que su modelo.

A Máquina de hielo CustomCube *

B Compartimiento para Hielo *

C Estante del Congelador

D Control Digital de Temperatura

E Foco de Luz del Refrigerador

F Gaveta para Meriendas

G Estantes

H Tapa del Compartimiento de Verduras
Mantiene las frutas y vegetales frescos y crujientes

I Anaqueles en la Puerta del Congelador

J Anaqueles para Latas *

K Compartimiento para Productos Lácteos

L Compartimientos en la Puerta

M Anaqueles en la Puerta del Refrigerador

*En algunos modelos

INSTALACIÓN DEL REFRIGERADOR

⚠ ADVERTENCIA

Peligro de Peso Excesivo

Use dos o más personas para mover e instalar el refrigerador.
No seguir estas instrucciones puede ocasionar una lesión en la espalda u otro tipo de lesiones.

DESEMPAQUE SU REFRIGERADOR

Remueva la cinta adhesiva y cualquier etiqueta temporera de su refrigerador antes de usarlo. No quite ninguna etiqueta de advertencia ni tampoco la etiqueta del modelo y número de serie.

Para remover cualquier residuo de pega o cinta adhesiva, frote el área enérgicamente con su dedo. La pega o la cinta adhesiva también salen fácilmente frotando un poco de jabón líquido para fregar con los dedos sobre la parte adhesiva. Limpie con agua tibia y seque.

No utilice instrumentos filosos, alcohol para fricciones, líquidos inflamables, o productos de limpieza abrasivos para eliminar los restos de pega o cinta adhesiva. Estos productos pueden dañar la superficie de su refrigerador. Para más información, vea la sección de Instrucciones Importantes de Seguridad.

Los estantes del refrigerador están instalados en la posición de envío.

Por favor reinstale los estantes de acuerdo a sus necesidades de almacenamiento.

⚠ ADVERTENCIA

Cuando mueva su refrigerador:

Su refrigerador es muy pesado. Cuando mueva el refrigerador para limpiarlo o darle servicio, proteja el piso. Al mover el refrigerador, siempre tire directamente hacia afuera. No mueva el refrigerador de lado a lado ni lo arrastre cuando lo trate de mover ya que podría dañar el piso.

⚠ ADVERTENCIA

Peligro de Explosión

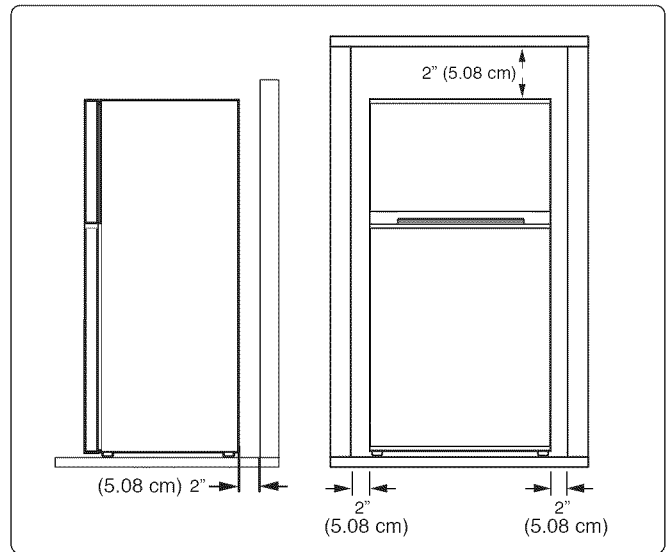
Mantenga los materiales y vapores inflamables, tales como gasolina, alejados del refrigerador.

No seguir estas instrucciones puede ocasionar la muerte, explosión, o incendio.

INSTALACIÓN

1. Evite colocar la unidad cerca de fuentes de calor, sol directo o humedad.
2. Para minimizar el ruido y la vibración, el refrigerador **TIENE** que estar instalado sobre un piso sólidamente construido.
3. No se recomiendan superficies con alfombras o de losas suaves.
4. **NUNCA** instale el refrigerador sobre una plataforma o una estructura con soporte débil.
5. Instale este producto en un área donde la temperatura este entre 55°F (13°C) y 110°F (43°C.) Si la temperatura alrededor del producto es muy baja o alta, la habilidad de enfriamiento del producto podría verse afectada.

NOTA: Para obtener el flujo de aire adecuado y los mejores resultados de enfriamiento y consumo de energía, mantenga una distancia mínimo de 2 pulgadas (5.08cm) de objetos y superficies adyacentes.



⚠ ADVERTENCIA

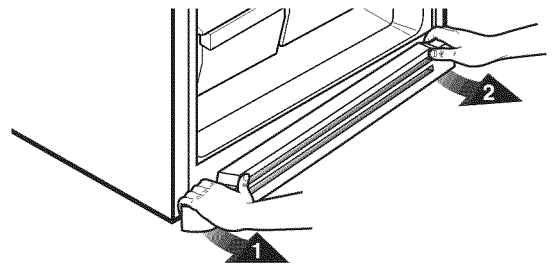
- Tenga cuidado cuando trabaje con bisagras, parrilla de base, tapones, etc. Puede lastimarse.
- No coloque las manos o varas de metal dentro de conductos de aire, parrilla de base o la parte de abajo del refrigerador. Podría lastimarse o recibir un choque eléctrico.

INSTRUCCIONES PARA LA PARRILLA DE BASE

La parrilla en la base de la unidad está ajustada a la fuerza.

Para Quitar la Parrilla:

- Abra o remueva la puerta del refrigerador.
- En el lado izquierdo de la Parrilla de Base, agarre la abertura entre la parrilla y el marco del refrigerador y hale hacia afuera. Luego hale el lado derecho de la Parrilla de Base.



Para volver a colocar la Parrilla:

- Debe abrir la puerta del refrigerador o sacarla.
- Encuentre la ranura en la parte derecha de la cubierta del refrigerador.
- Inserte el clip de metal del lado derecho de la parrilla en la ranura de la cubierta.
- Inserte el clip de metal del lado izquierdo de la parrilla en la ranura de la cubierta.
- Empuje los clips firmemente hacia las ranuras hasta que la parrilla caiga en su sitio.

INSTALACIÓN DEL REFRIGERADOR

⚠ ADVERTENCIA

PELIGRO DE CHOQUE ELÉCTRICO

Antes de comenzar, desconecte el refrigerador o interrumpa la corriente de electricidad en el cortacircuitos o caja de fusibles. Quite los alimentos y cualquier Puerta Ajustable o los recipientes de usos múltiples. No seguir estas instrucciones puede ocasionar la muerte o una lesión grave.

QUITANDO Y REEMPLAZANDO PUERTAS

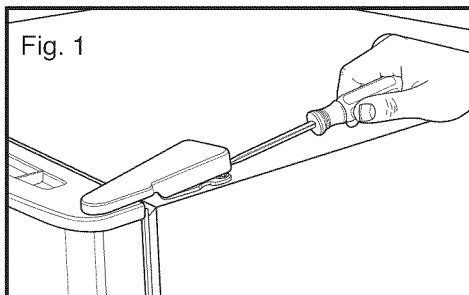
Si la entrada tiene menos de 35 pulgadas de ancho, se necesitará quitar las puertas del refrigerador.

HERRAMIENTAS NECESARIAS:

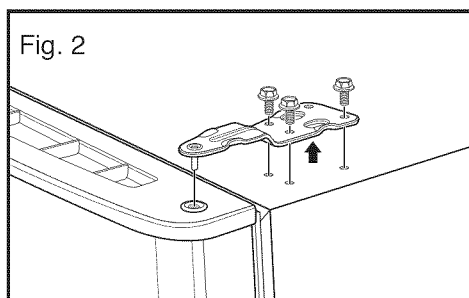
- Llave tubular de 10mm o de 13/32 pulgadas (con extensión de 2 pulgadas para la bisagra inferior de la puerta)
- Destornillador No. 2 Phillips
- Destornillador de cabeza plana para usar como palanca

QUITAR LA PUERTA DEL CONGELADOR

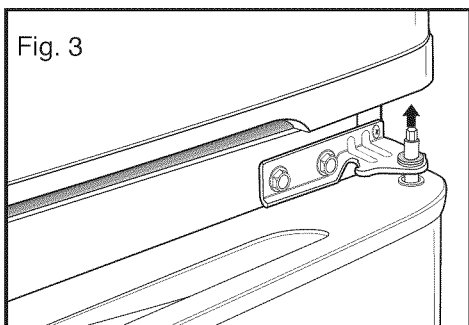
- Suavemente levante y quite con el destornillador de cabeza plana la Tapa de la Bisagra Superior (vea Fig. 1).



- Usando la llave tubular de 10mm o de 13/32 pulgadas, quite los 3 tornillos y levante la Bisagra Superior (vea Fig. 2). Coloque las partes a un lado.

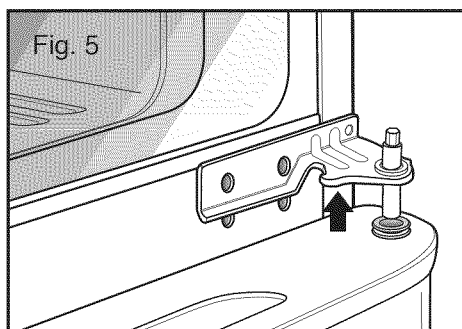
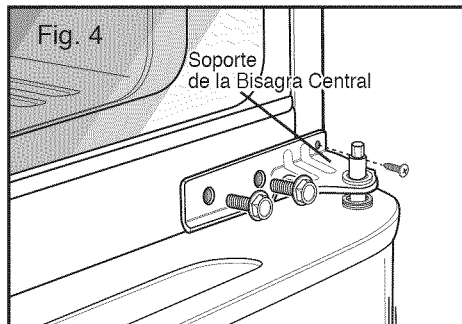


- Levante un poco la puerta del congelador y sáquela. (Fig. 3). Coloque a un lado.

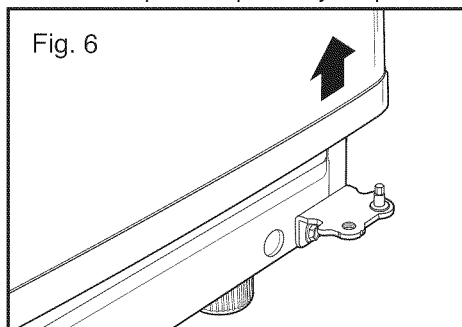


QUITAR LA PUERTA DEL REFRIGERADOR

- Suelte y quite los 2 tornillos y con el destornillador Phillips quite el Soporte de la Bisagra Central del marco del refrigerador (Fig. 4 y Fig. 5). Coloque las partes a un lado.



- Levante un poco la puerta y sáquela.

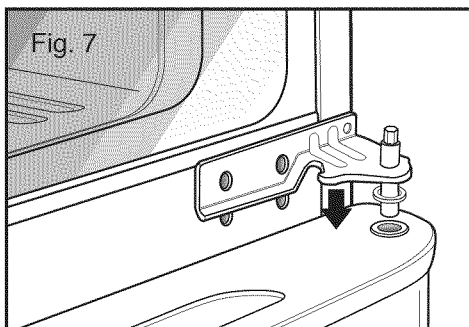


Para volver a colocar las puertas, comience con la puerta del refrigerador y continúe con la puerta del congelador.

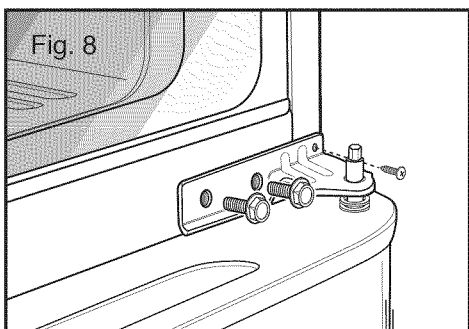
INSTALACIÓN DEL REFRIGERADOR

VOLVER A COLOCAR LA PUERTA DEL REFRIGERADOR

- Coloque la puerta en el Pivote de la Bisagra Inferior.
- Coloque el Pivote de Bisagra del Soporte de Bisagra Central dentro del Pivote de Inserción de Bisagra en la parte superior de la puerta (Fig. 7). Aguante la puerta en su lugar y alinee el Soporte de la Bisagra Central con los orificios en el marco del refrigerador.

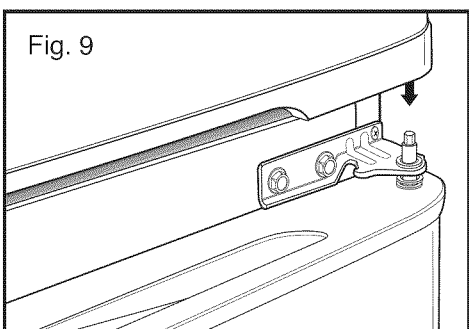


- Utilice los 2 tornillos y el destornillador Phillips para reajustar el Soporte de la Bisagra Central con la puerta en el marco del refrigerador (Fig. 8).

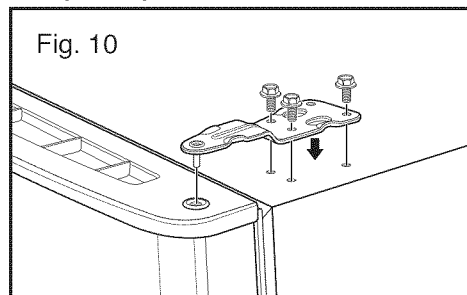


VOLVER A COLOCAR LA PUERTA DEL CONGELADOR

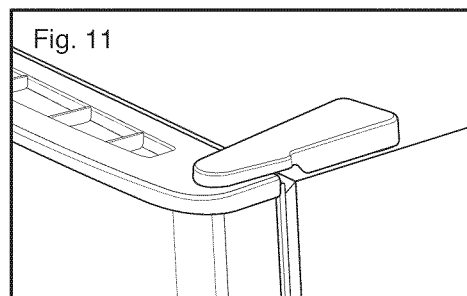
- Coloque la puerta del congelador en el Pivote de la Bisagra Central (Fig. 9).



- Coloque el Pivote de la Bisagra Superior en la parte superior de la puerta del congelador y alinee con los orificios en la parte superior del refrigerador. Utilice los 3 tornillos para volver a colocar la Bisagra (Fig. 10).



- Cuidadosamente fuerce la Tapa de la Bisagra Superior hasta que encaje sobre la Bisagra (Fig. 11).



⚠ ADVERTENCIA

PELIGRO DE CHOQUE ELÉCTRICO

Antes de comenzar, desconecte el refrigerador o interrumpa la corriente de electricidad en el cortacircuitos o caja de fusibles. Quite los alimentos y cualquier Puerta Ajustable o los recipientes de usos múltiples. No seguir estas instrucciones puede ocasionar la muerte o una lesión grave.

PUERTAS REVERSIBLES

Puede que encuentre más conveniente convertir las puertas del estilo de abrir del lado izquierdo (instalado de fábrica) para abrir del lado derecho. Las direcciones hacen referencia al lado derecho como su lado derecho al mirar la unidad.

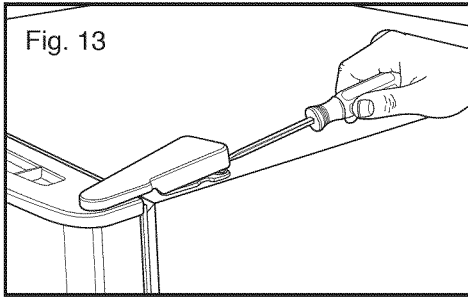
HERRAMIENTAS NECESARIAS:

- Llave tubular de 10mm o de 13/32 pulgadas (con extensión de 2 pulgadas para la bisagra inferior de la puerta)
- Destornillador No. 2 Phillips
- Llave tubular de ¼ pulgadas
- Destornillador de cabeza plana para usar como palanca

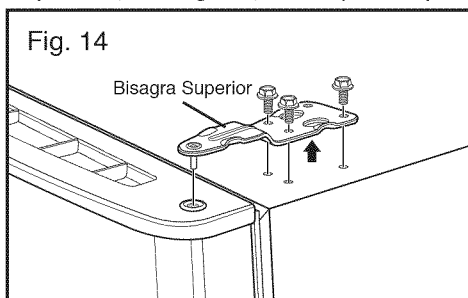
INSTALACIÓN DEL REFRIGERADOR

PUERTA DEL CONGELADOR REVERSIBLE

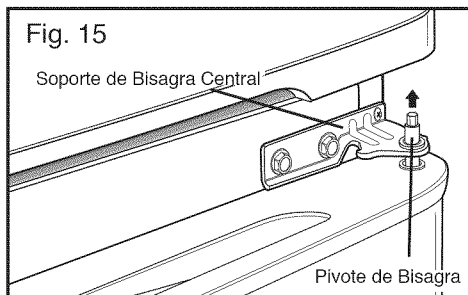
- Suavemente levante y quite con el destornillador de cabeza plana la Tapa de la Bisagra Superior (vea Fig. 13).



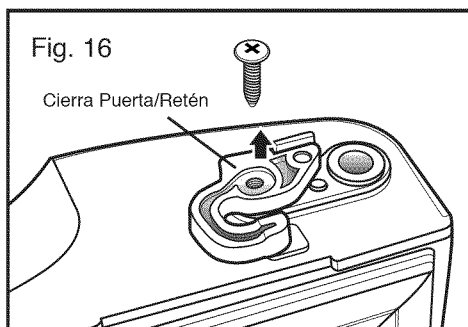
- Usando la llave tubular de 10mm o de 13/32 pulgadas, quite los 3 tornillos y levante la Bisagra Superior (vea Fig. 14). Coloque las partes a un lado.



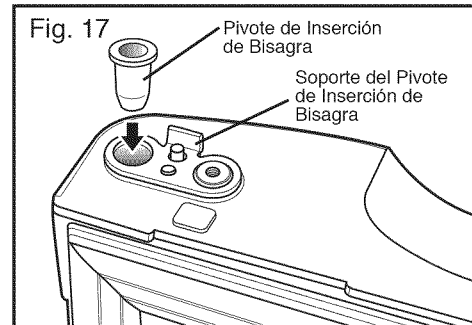
- Levante un poco y sáquela. (Fig. 15).



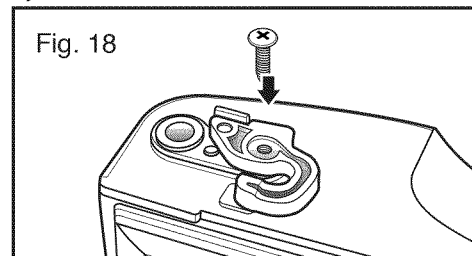
- Coloque la puerta del refrigerador al revés en una superficie que no raye la puerta y afloje los tornillos para sacar el Cierra Puerta/Retén y el Pivote de Inserción de Bisagra (vea Fig. 16).



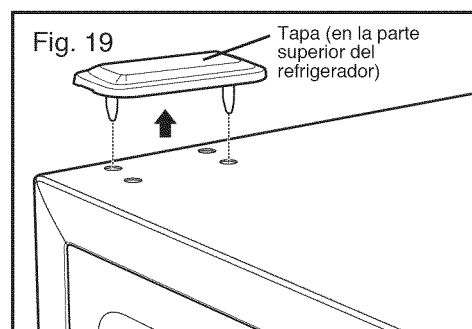
- Mueva el Soporte del Pivote de Inserción de Bisagra al lado opuesto de la puerta, manteniendo la misma orientación, y mueva el Pivote de Inserción de Bisagra al orificio en el lado izquierdo del soporte (Fig. 17).



- Cambie al lado opuesto el Cierra Puerta/Retén virándolo (vea Fig. 18), colocándolo encima del Soporte del Pivote de Inserción de Bisagra y ajustando ambos con el tornillo.



- Levante la tapa que está en el lado izquierdo de la parte superior del refrigerador para encontrar los orificios de los tornillos (Fig. 19).
- Coloque la puerta del congelador y las partes de la Bisagra Superior a un lado y quite la puerta del refrigerador.

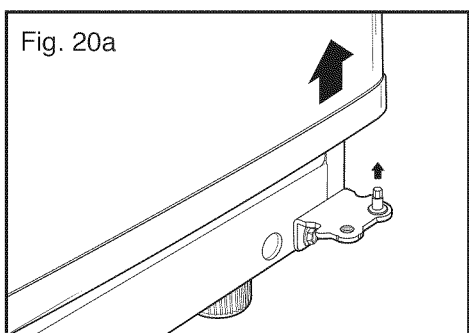
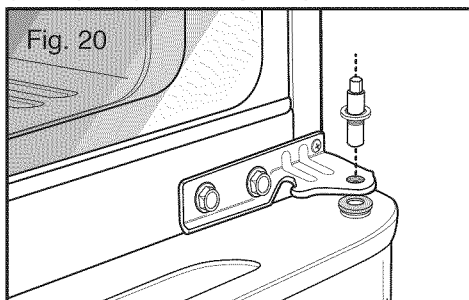


INSTALACIÓN DEL REFRIGERADOR

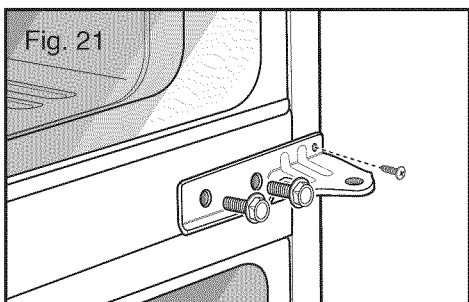
CAMBIAR DE LADO Y VOLVER A PONER LA PUERTA DEL REFRIGERADOR

- Utilizando una llave tubular de ¼ pulgadas, afloje y quite el Pivote de Bisagra del Soporte del Pivote de Inserción de la Bisagra Central. Quite las arandelas debajo de la bisagra central y colóquelas a un lado.

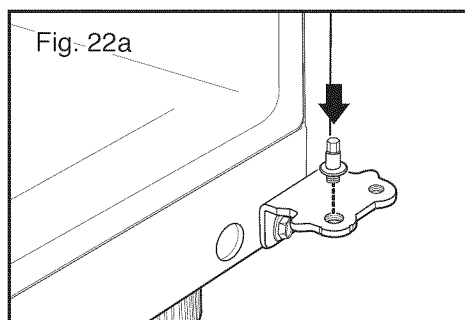
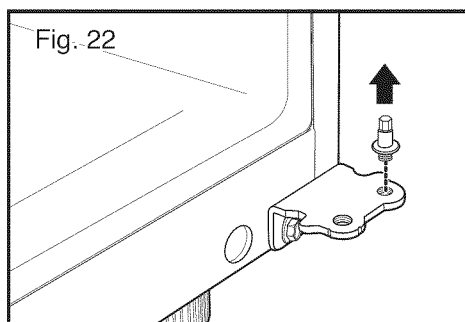
NOTA: A este punto la puerta estará floja, levántela un poco y sáquela. (Fig. 20 y 20a).



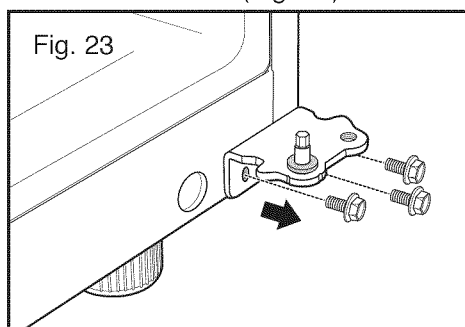
- Afloje y quite los 2 tornillos y use el destornillador Phillips para quitar el Soporte de Bisagra Central del marco del refrigerador (Fig. 21). Coloque las partes a un lado.



- **QUITE** la parrilla de base. Vea las **INSTRUCCIONES DE LA PARRILLA DE BASE** en la página 38.
- Quite las arandelas de Pivote de Bisagra Inferior (Fig. 22).
- Utilizando una llave tubular de ¼ pulgadas, afloje y quite el Pivote de Bisagra de la Bisagra Inferior. Vuelva a poner el Pivote de Bisagra al lado opuesto de la Bisagra (vea Fig. 22 y 22^a). **NOTA:** Esto es más fácil hacerlo cuando la Bisagra aún está puesta.

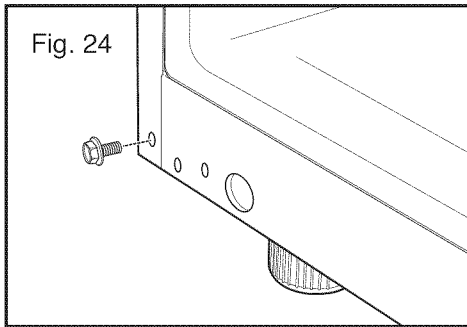


- Utilizando una llave tubular de 10mm o de 13/32 pulgadas con 2 pulgadas de extensión, afloje los 3 tornillos y quite la Bisagra Inferior del lado derecho del marco (Fig. 23).

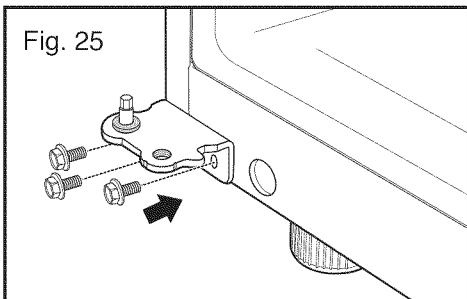


INSTALACIÓN DEL REFRIGERADOR

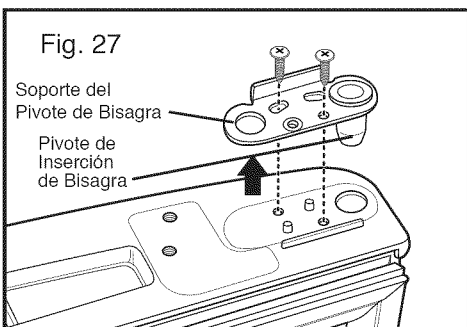
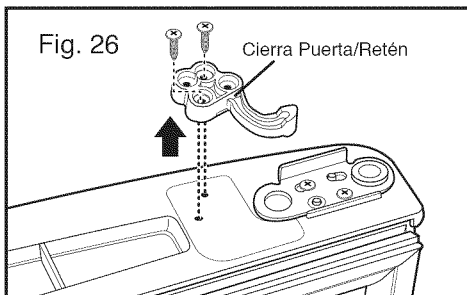
- A este nivel, quite el Tornillo Decorativo que está en la parte inferior del marco del refrigerador del lado izquierdo (Fig. 24). Necesitará el orificio para la Bisagra Inferior.



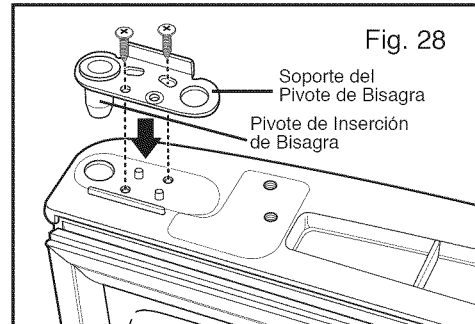
- Mueva la Bisagra Inferior al lado izquierdo del marco, manteniendo la misma orientación, y vuelva a colocar con los 3 tornillos (Fig. 25). Ahora mueva el Tornillo Decorativo al orificio en el lado derecho del marco.



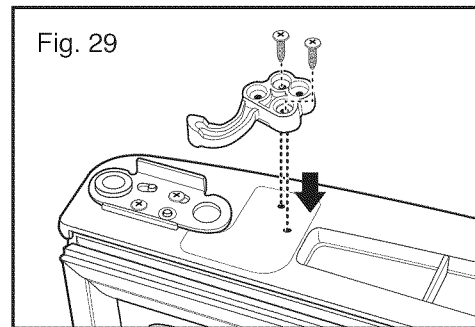
- Coloque la puerta del refrigerador al revés en una superficie que no raye la puerta.
- Con la puerta al revés, afloje los 2 tornillos y quite el Cierra Puerta/Retén (Fig. 26), entonces afloje los otros dos tornillos y quite el Soporte en conjunto con el Pivote de Inserción de Bisagra inferior.



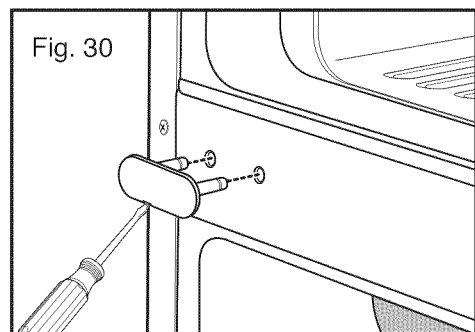
- Saque el Pivote de Inserción de Bisagra y mueva el Soporte al otro lado de la puerta, manteniendo la misma orientación (Fig. 28).
- Coloque el Pivote de Inserción de Bisagra en el lado izquierdo del soporte. Ajuste el Soporte del Pivote de Bisagra a la puerta (Fig. 28).



- Tome el Cierra Puerta/Retén y gírelo (vea Fig. 29). Alinee los orificios de los tornillos y monte en el lado izquierdo de la parte inferior de la puerta con dos tornillos. Vire la puerta del lado correcto. Ahora está lista para volverla a unir.

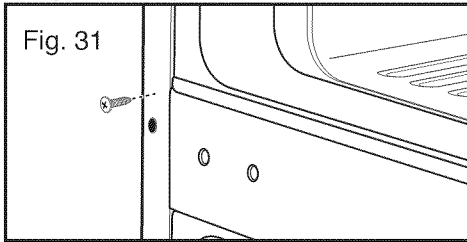


- Con un destornillador de cabeza plana, cuidadosamente levante y quite la tapa que está sobre los orificios de los tornillos en el lado izquierdo del marco del refrigerador (Fig. 30).

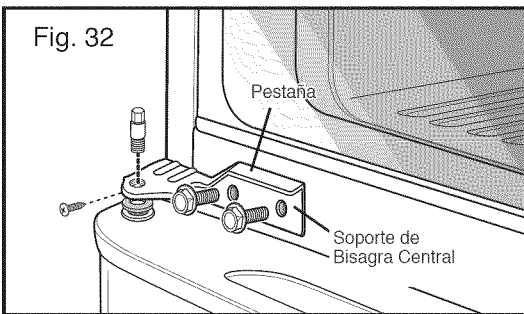


INSTALACIÓN DEL REFRIGERADOR

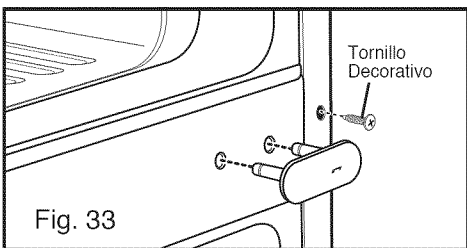
- Quite el Tornillo Decorativo del marco de la parte inferior externa entre las puertas del congelador y el refrigerador (Fig. 31). (Necesitará este orificio para el Soporte de la Bisagra Central).



- Siguiendo la ilustración, gire el Soporte de la Bisagra Central (la Pestaña quedará hacia arriba) y posicónela en el lado izquierdo del refrigerador y vuelva a unirla con dos tornillos y el destornillador Phillips. (Fig. 32).
 - Coloque la puerta del refrigerador sobre el pivote de la bisagra inferior. (Fig. 32).
 - Coloque la arandela entre la puerta del refrigerador y la bisagra central y vuelva a unir el Pivote de Bisagra al Soporte de Bisagra con una llave tubular de 1/4 pulgadas.
- NOTA:** El soporte se ha girado, pero el Pivote de Bisagra se queda en la misma orientación con su lado hexagonal hacia arriba (Fig. 32).

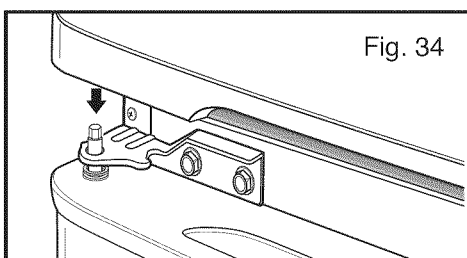


- Coloque el Tornillo Decorativo en el orificio exterior del lado derecho del marco (Fig. 33).
- Ponga la tapa en el lado derecho. La tapa se ajusta a la fuerza.

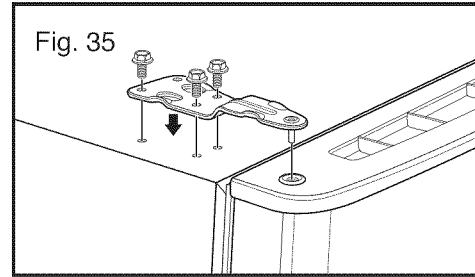


VOLVER A UNIR LA PUERTA DEL CONGELADOR

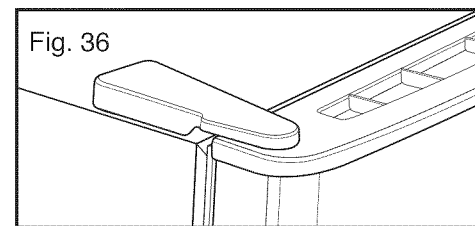
- Coloque la puerta del congelador sobre el Pivote de Bisagra del Soporte del Pivote de Bisagra Central (Fig. 34).



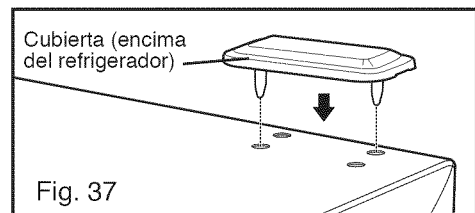
- Coloque el Pivote de Bisagra Superior en la parte superior de la puerta del congelador y alinee la Bisagra Superior con los orificios en la parte superior del refrigerador. Utilice los 3 tornillos para volver a poner la Bisagra (Fig. 35).



- Ajuste los tornillos. Con fuerza ajuste la Tapa de la Bisagra Superior sobre la Bisagra Superior (Fig. 36).

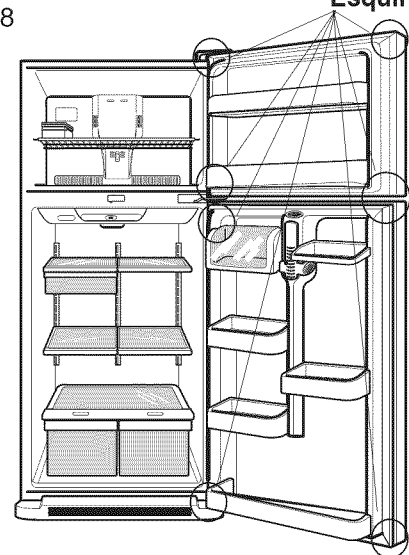


- Reemplace la tapa del lado izquierdo del refrigerador al lado derecho superior para cubrir los orificios. La tapa también se ajusta con fuerza (Fig. 37).



Luego de cambiar las puertas, asegúrese de que las esquinas de los Juntas de la Puerta no estén doblados (vea Fig. 38). Para asegurarse de lograr un buen sellado, aplique un poco de grasa de silicón en las esquinas de los jantes.

Fig. 38 Esquinas



NIVELACIÓN Y CIERRE DE LA PUERTA

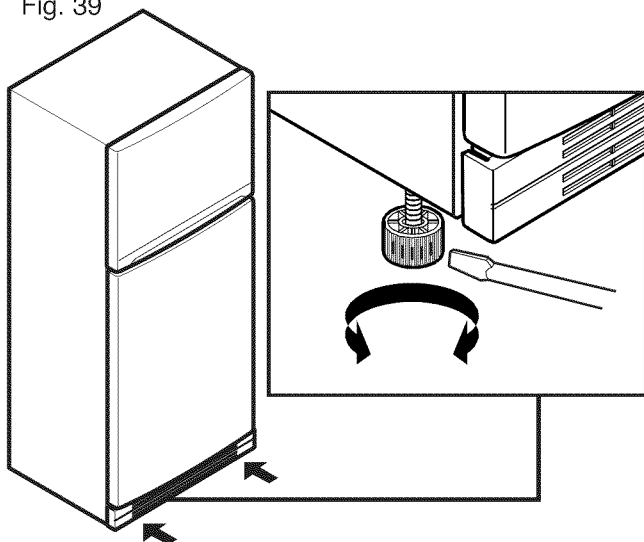
Para evitar la vibración, la unidad tiene que estar nivelada. Si es necesario ajuste la Patas Niveladoras para compensar con el desnivel del piso. La parte del frente debe estar un poco más alto que la de atrás para ayudar en el proceso de cerrar la puerta.

Su refrigerador tiene dos Tornillos Niveladores Delanteros; uno en el lado derecho y otro en el izquierdo. Si su refrigerador parece inestable o si quiere que las puertas cierren más fácilmente, ajuste la inclinación del refrigerador utilizando las instrucciones descritas a continuación:

1. Conecte el cable electricidad del refrigerador en un receptáculo de conexión a tierra de tres terminales. Mueva el refrigerador a su posición final.
2. Quite la parrilla de base. Vea las INSTRUCCIONES DE LA PARRILLA DE BASE en la página 8. Los dos Tornillos Niveladores están a cada lado de la parte inferior del refrigerador (vea Fig. 39).
3. Inserte un destornillador de cabeza plana en las ranuras para ajustar los Tornillos Niveladores (Fig. 39). Gire el tornillo nivelador en dirección a las manecillas del reloj para elevar ese lado del refrigerador o en dirección contraria a las manecillas del reloj para bajarlo. Puede que tome varios giros del Tornillo Nivelador para ajustar la inclinación del refrigerador.

NOTA: Hacer que alguien empuje el refrigerador le quita un poco de peso a los Tornillos Niveladores. Esto hace que sea más fácil ajustar los tornillos.

Fig. 39



4. Abra ambas puertas nuevamente y verifique que cierren fácilmente. Si no, incline un poco más el refrigerador hacia el fondo, girando ambos Tornillos Niveladores en dirección a las manecillas del reloj. Puede que tome unos cuantos más giros y debe girar ambos Tornillos Niveladores la misma cantidad de veces.

5. Vuelva a colocar la parrilla de base.

ALINEACIÓN DE PUERTA

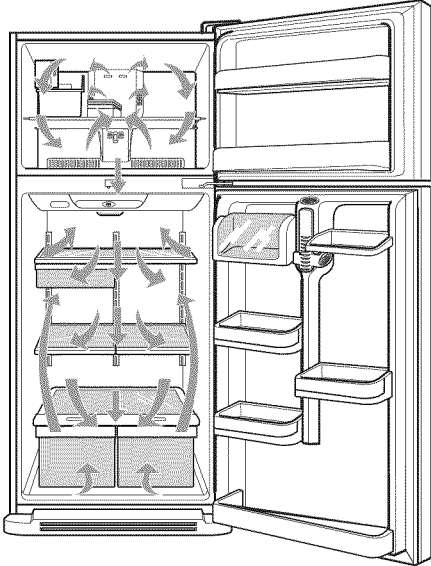
Si el espacio entre las puertas está desnivelado, siga las instrucciones a continuación para alinear las puertas:

1. Suavemente levante y saque la Tapa de la Bisagra Superior con un destornillador de cabeza plana. Afloje los Tornillos de la Bisagra Superior utilizando una llave tubular de 10mm o 13.32 pulgadas o una llave de boca.
2. Tenga a alguien aguantando la puerta del congelador para que el espacio entre las dos puertas sea igual, y ajuste los tornillos de la bisagra superior.
3. Vuelva a poner la Tapa de la Bisagra Superior.

UTILIZANDO SU REFRIGERADOR

ASEGURANDO EL FLUJO DE AIRE ADECUADO

Para asegurar las temperaturas adecuadas, el aire debe fluir entre las secciones del refrigerador y congelador. Como se muestra en la ilustración de abajo, el aire frío entra por la sección inferior del congelador y se mueve hacia arriba. La mayor parte del aire entonces fluye por los conductos y recircula bajo el piso del congelador. El resto del aire entra a la sección del refrigerador por el conducto superior.

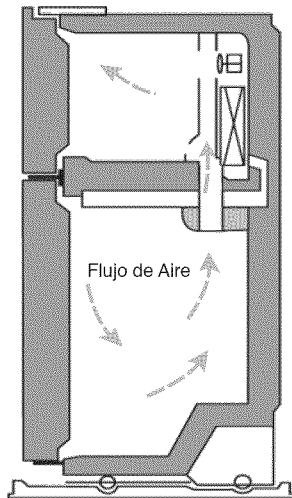


- **No bloquee ninguno de estos conductos con paquetes de alimentos.** Si los conductos están bloqueados, el flujo de aire será interrumpido y puede ocurrir problemas de temperatura y humedad.

IMPORTANTE:

Porque el aire circula entre ambas secciones, cualquier olor formado en una sección se transfiere a la otra. Usted debe limpiar completamente ambas secciones para eliminar olores. Para prevenir la transferencia de olores y que los alimentos se sequen, envuelva o cubra los alimentos completamente. (Vea la sección de Guía para Almacenar Alimentos para detalles).

Nota: Si cierra la puerta del refrigerador fuertemente, la puerta del congelador puede abrirse y cerrarse a causa de la presión del flujo de aire.



PRÓXIMO

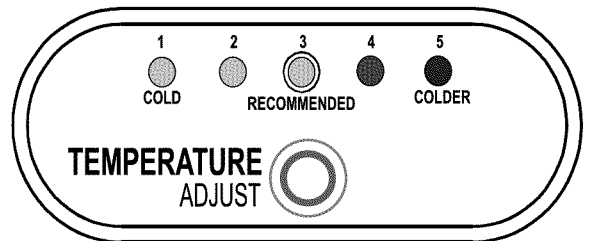
1. Limpie su refrigerador completamente y saque todo el polvo acumulado durante el envío.
2. Instale los accesorios como el recipiente para hielo, gavetas, estantes, etc. en los lugares correspondientes. Los mismos vienen empacados juntos para evitar que se dañen durante el envío.
3. Deje que su refrigerador corra al menos por 2 ó 3 horas antes de colocar alimentos. Verifique el flujo de aire frío en el compartimiento del congelador para asegurarse que esté enfriando. Su refrigerador ya está listo para usarse.

CONFIGURANDO LOS CONTROLES

Su refrigerador tiene dos controles para regular la temperatura, una en el congelador y otra en el refrigerador.

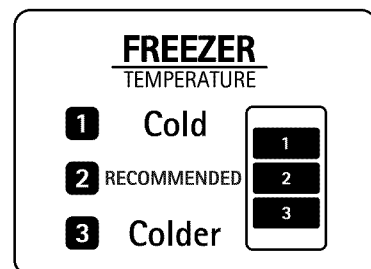
CONTROL DEL REFRIGERADOR

Inicialmente ajuste el Control del Refrigerador a la configuración del medio, número 3. Para hacerlo, presione el botón de ajustar la temperatura hasta que prenda la luz LED del número 3. Deje el refrigerador con esta configuración por al menos 24 horas para alcanzar una temperatura correcta. Luego de 24 horas, ajuste la temperatura del compartimiento como desee. Mientras más alto el número, más frío el compartimiento del refrigerador estará. Siempre espere 24 horas antes de ajustar la temperatura. Si se pasa del número deseado continúe presionando el botón de temperatura hasta que prenda el número que desea.



CONTROL DEL CONGELADOR

El control del congelador debe tener la configuración de fábrica ajustado en el medio, en el número 2. Espere 24 horas antes de ajustar la temperatura del congelador. Gire el disco para ajustar la temperatura del congelador. **SIEMPRE** espere 24 horas luego de cualquier ajuste para que la unidad alcance la temperatura deseada.



AJUSTANDO LOS NIVELES DE CONTROL

Dele tiempo a su refrigerador de enfriar completamente antes de hacer ajustes finales. Es mejor esperar 24 horas antes de hacer esto. Las configuraciones recomendadas en la sección de CONFIGURANDO LOS CONTROLES deberían ser correctas para el uso normal de un refrigerador de casa. Los controles están ajustados correctamente cuando la leche o el jugo están tan fríos como quiere o cuando el helado está duro.

El control del refrigerador funciona como el termostato de toda la unidad (refrigerador y congelador). Mientras más alto el número ajustado, más tiempo estará corriendo el compresor para mantener la temperatura más fría. El control del congelador ajusta el flujo de aire del congelador al refrigerador. Ajustando el control del congelador a una temperatura más baja mantiene más aire frío en el congelador para que esté más frío.

Si necesita ajustar las temperaturas en el refrigerador o congelador, comience por ajustar el refrigerador. Entonces espere 24 horas antes de revisar la temperatura del congelador. Si está muy caliente o muy fría, entonces ajuste el control del congelador.

Utilice las configuraciones que aparecen en la tabla de abajo como guía. Siempre recuerde esperar al menos 24 horas entre los ajustes.

CONDICIÓN / RAZÓN:	AJUSTE RECOMENDADO:
<p>■ Sección del REFRIGERADOR muy caliente</p> <ul style="list-style-type: none"> - Puerta abierta muy frecuente - Se ha añadido muchos alimentos - La temperatura en la habitación es muy caliente 	Coloque el control del REFRIGERADOR al próximo número más alto, espere 24 horas y revise
<p>■ Sección del CONGELADOR muy caliente/el hielo no se hace rápido</p> <ul style="list-style-type: none"> - Puerta abierta muy frecuente - Se ha añadido muchos alimentos - La temperatura en la habitación es muy fría (el compresor no hace suficientes ciclos) - Uso de mucho hielo - Conductos de aire bloqueados por artículos 	Coloque el control del REFRIGERADOR al próximo número más alto, espere 24 horas y revise Mueva los artículos bloqueando el flujo de aire
<p>■ Sección del REFRIGERADOR muy frío</p> <ul style="list-style-type: none"> - Controles no ajustados correctamente para sus condiciones 	Ajuste el control del REFRIGERADOR al próximo número más bajo, espere 24 horas y revise
<p>■ Sección del CONGELADOR muy fría</p> <ul style="list-style-type: none"> - Controles no ajustados correctamente para sus condiciones 	Ajuste el control del CONGELADOR al próximo número más bajo, espere 24 horas y revise

GUÍA PARA ALMACENAR ALIMENTOS

Envuelva o almacene alimentos en el refrigerador dentro de materiales herméticamente cerrados o a prueba de humedad, a menos que se indique lo contrario. Este previene que los olores y el sabor de los alimentos se transfieran a través del refrigerador. Para productos con fechas, revise el código con la fecha para asegurarse que estén frescos.

Artículos	Cómo mantenerlos
Mantequilla o Margarina	▶ Mantenga mantequilla descubierta en un plato con tapa o en un compartimiento cerrado. Cuando almacene provisiones adicionales, envuélvalos en material para el congelador y congele.
Queso	▶ Almacene en la envoltura original hasta usarla. Una vez lo abra, vuelva a envolverlo ajustadamente en envoltura plástica o papel de aluminio.
Leche	▶ Limpie los cartones de leche. Es mejor colocar la leche en un estante en el interior que en la puerta.
Huevos	▶ Almacene en el cartón original o en la Caja de Huevos (en algunos modelos) en uno de los estantes en el interior y no en la puerta.
Frutas	▶ Enjuague, deje secar y almacene en el refrigerador en bolsas plásticas o en el compartimiento de verduras. No enjuague ni envase las fresas o frambuesas hasta que las vaya a usar. Manténgalas en su envase original en el compartimiento para verduras o almacene en una bolsa cerrada de papel en uno de los estantes del refrigerador.
Vegetales con hojas	▶ Saque la envoltura de la tienda y recorte o saque áreas dañadas descoloridas. Enjuague en agua fría y cuele. Coloque en bolsas plásticas o en envases plásticos y guarde en el compartimiento para verduras.
Vegetales con cascara (zanahorias, pimientos)	▶ Coloque en bolsas plásticas o envases plásticos y guarde en el compartimiento para verduras.
Pescado	▶ Utilice el pescado fresco y mariscos el mismo día de comprarlo.
Sobras	▶ Cubra las sobras con envoltura plástica o papel de aluminio. También puede usar envases plásticos con tapas que cierren completamente.

ALMACENANDO ALIMENTOS CONGELADOS

NOTA: Para más información sobre preparar alimentos para congelar o tiempos para almacenar alimentos, revise una guía para el congelador o un libro de cocina confiable.

Empaque

Congelar exitosamente depende del empaque correcto. Cierre y selle los paquetes para que no entre aire o humedad. Si entra, entonces podría tener olor y sabor de alimentos transferidos a través del refrigerador y congelador, y los alimentos en el empaque para el congelador podrían secarse.

Recomendaciones para empaque:

- Envases rígidos con tapas que sellan completamente
- Latas/potes para congelar
- Papel de aluminio resistente
- Papel con plastificado
- Envoltura plástica impermeable
- Bolsa plásticas con cierres específicamente para el congelador

Siga las instrucciones en el paquete o envase para el método adecuado de congelar.

No utilice

- Envolturas para pan
- Envases plásticos que no son de polietileno
- Envases sin tapas
- Papel de cera o envolturas enceradas para congelador
- Envolturas muy delgadas, semipermeables

⚠ ADVERTENCIA: No mantenga bebidas en latas o en envases plásticos en el congelador. Pueden romperse si se congelan.

Congelando

Su congelador no congelara rápidamente una gran cantidad de alimentos. No coloque más alimentos sin congelar de los que se pueden congelar en 24 horas (no más de 2 ó 3 lbs. de comida por pies cuadrado del espacio del congelador). Deje suficiente espacio para que el aire circule entre los paquetes. Tenga cuidado en dejar suficiente espacio al frente para que la puerta pueda cerrar completamente.

El tiempo para congelar varía de acuerdo a la calidad y tipo de alimento, el tipo de empaque o envoltura que tiene (sellado herméticamente y a prueba de humedad) y la temperatura de almacenaje. Cristales de hielo dentro de un paquete sellado son normales. Esto simplemente significa que la humedad en los alimentos y el aire dentro del paquete se ha condensado, creando cristales de hielo.

NOTA: Permita que los alimentos calientes se enfríen a temperatura ambiente por 30 minutos, para luego empacarlos y congelarlos. Enfriar alimentos calientes antes de congelarlos ahorra energía.

ESTANTES DEL REFRIGERADOR

Los estantes en su refrigerador son ajustables para cumplir con sus necesidades de almacenamiento. Todos los estantes en esta unidad son de cristal.

Almacenar artículos similares juntos en su refrigerador y ajustar los estantes para los diferentes tamaños de ciertos artículos hará que su búsqueda de un artículo específico sea más fácil; también reducirá el tiempo que la puerta del refrigerador se queda abierta, ahorrando energía.

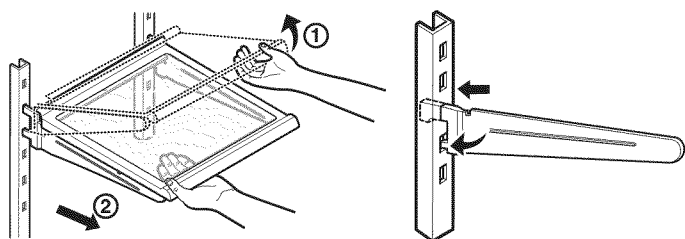
IMPORTANTE: No limpie los estantes de cristal con agua tibia cuando estén fríos. Pueden romperse si se exponen a un cambio súbito de temperatura o impacto como el de un tropiezo. Para su protección, los estantes de cristal están hechos con cristal templado, que se rompe en pequeños pedazos.

NOTA: Los estantes de cristal son pesados. Utilice cuidado especial al sacarlos para evitar que se le caiga.

Estantes Ajustables

Cambie los estantes de la posición de envío a la posición que desea.

- **Para sacar un estante** – Incline la parte del frente hacia arriba y sáquelo.
- **Para cambiar de lugar un estante** – Incline la parte del frente del estante hacia arriba y coloque los ganchos del estante en las ranuras de metal en la posición deseada. Luego baje la parte del frente para asegurar los ganchos en las ranuras.

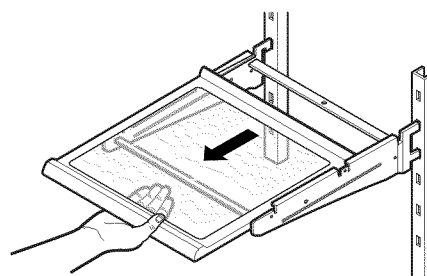


NOTA: Asegúrese que los estantes estén nivelados en cada lado. El no hacerlo puede resultar en que el estante se caiga o en el derrame de comida.

Estantes Deslizantes (En Algunos Modelos)

Usted puede deslizar algunos estantes de cristal en o fuera de su refrigerador de la siguiente manera.

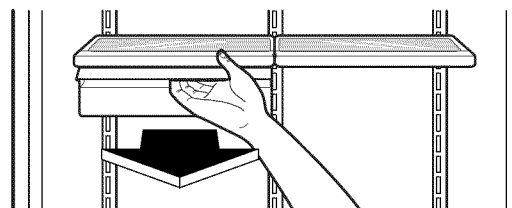
- **Para deslizar el estante fuera**, cuidadosamente hale hacia usted.
- **Para deslizar el estante hacia adentro**, empújelo hasta que pare.



GAVETA DE MERIENDAS (En Algunos Modelos)

Para sacar la gaveta de meriendas: Aguante la gaveta por la manija, hale hacia al frente hasta que pare la gaveta, levante y saque.

Para volverla a colocar, deslice la gaveta completamente hacia atrás hasta pasar el punto de detención de la gaveta.

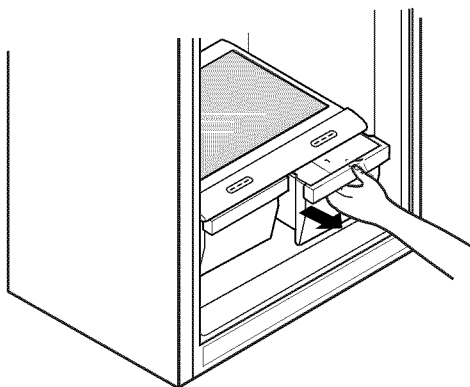


UTILIZANDO SU REFRIGERADOR



SECCION Y TAPA DEL COMPARTIMIENTO DE VERDURAS



Para sacar la sección:

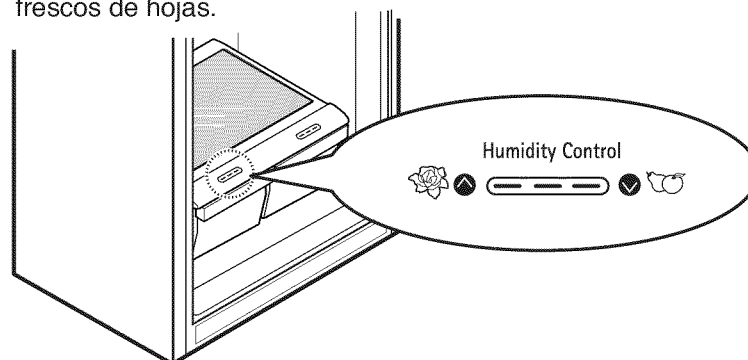
1. Hale la gaveta de la sección del compartimiento de verduras hasta el punto de detención.
2. Levante la gaveta y hale hacia usted para sacarla.
3. Para volverla a colocar, deslice la gaveta completamente hacia atrás pasar el punto de detención.



CONTROL DE HUMEDAD DEL COMPARTIMIENTO DE VERDURAS

Usted puede controlar la cantidad de humedad en los compartimientos húmedo-sellados. Ajuste el control a cualquier configuración entre  y .

-  permite la salida de aire húmedo fuera del compartimiento de verduras para mejor almacenamiento de frutas.
-  mantiene húmedo el aire en el compartimiento de verduras para mejor almacenamiento de vegetales frescos de hojas.



Para sacar el cristal del compartimiento de verduras:

1. Saque las gavetas del compartimiento de verduras.
2. Para sacar el cristal encima del compartimiento de verduras, alcance llegar por debajo del cristal y levante.
3. Saque el cristal hacia arriba.



Para controlar la humedad en los compartimientos de verduras, mueva el deslizador para cada compartimiento hacia arriba (más humedad) o hacia abajo (menos humedad).

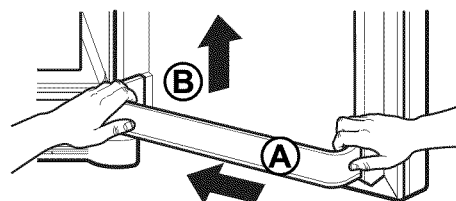
ANAQUELES QUE ENCAJAN EN LA PUERTA

Los anaqueles de puerta se pueden sacar para fácil limpieza. Los anaqueles de puerta se encuentran tanto en el refrigerador como en el congelador. Los anaqueles encajan a la fuerza con lengüetas y ranuras.

Anaqueles que Encajan en la Puerta

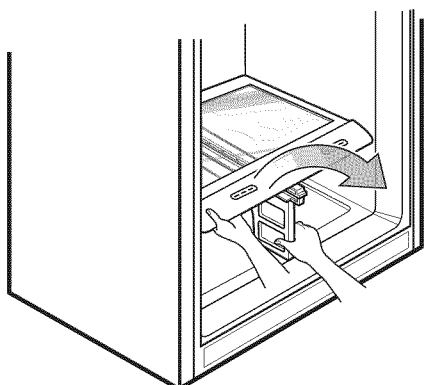
Para sacar los anaqueles:

1. Saque todos los artículos del anaquel.
2. Empuje los lados del anaquel mientras levanta. El anaquel saldrá fácilmente.



Para sacar la tapa del compartimiento de verduras:

1. Saque ambas gavetas del compartimiento.
2. Mientras sujeta la sección central del compartimiento, hale y saque la tapa.



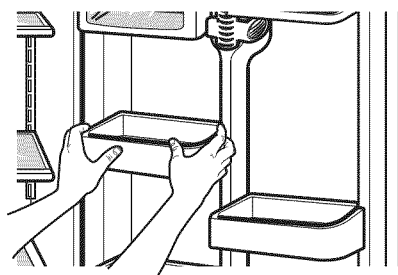
Para volver a colocar los anaqueles:

1. Aguante las puntas del anaquel con ambas manos, inclinando un poco hacia abajo y empuje un poco mientras encaja las lengüetas en las ranuras que hay en la puerta. Luego encaja a la fuerza.

COMPARTIMIENTOS DE LA PUERTA

Los compartimientos de la puerta se sacan para limpiarlos y ajustarlos fácilmente. Tienen ranuras en los lados que encajan en las ranuras de soporte localizadas en intervalos en la puerta del refrigerador.

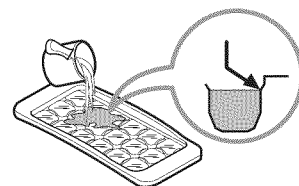
1. Para sacar un compartimiento, levántelo hasta que esté libre de las ranuras de soporte y sáquelo.
2. Para volver a colocar un compartimiento, empújelo hacia la puerta y hacia abajo en una de las ranuras de soporte en la altura deseada.



RECIPIENTE PARA HIELO (En Algunos Modelos)

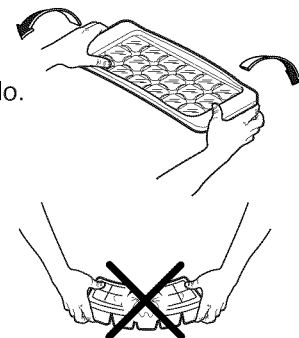
Para hacer hielo

- Vierta agua hasta el nivel indicado en la imagen. No lo desborde de agua, o los cubos de hielo serán difíciles de sacar.
- Para congelar rápidamente, ajusta el disco del congelador a 3.



Para sacar los cubos de hielo, tuerza el recipiente.

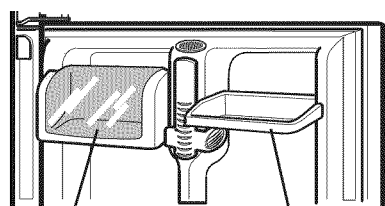
- No doble el recipiente para hielo. Hacerlo resultaría en daño al recipiente.
- Para sacar fácilmente los cubos de hielo, vierta agua en la parte de atrás del recipiente o remoje en agua antes de sacar los hielos.



COMPARTIMIENTO DE LÁCTEOS, ANAQUEL PARA LATAS (En Algunos Modelos)

El compartimiento de lácteos / anaquel para latas puede reubicarse en otra posición.

1. **Para sacar el compartimiento de lácteos / anaquel para latas** simplemente levante y saque.
2. **Para volverlo a colocar**, deslícelo sobre las ranuras de soporte deseadas y empuje hasta que se detenga.



Compartimiento de Lácteos

Anaqueles para Latas

CUIDADO Y LIMPIEZA

⚠ ADVERTENCIA



Peligro de Explosión

Use un limpiador no inflamable.

No seguir estas instrucciones puede ocasionar la muerte, explosión o incendio.

Tanto la sección del refrigerador como la del congelador se descongelan automáticamente. No obstante, limpie ambas secciones más o menos una vez al mes para evitar olores. Limpie los derrames de inmediato.

CONSEJOS GENERALES DE LIMPIEZA

- Desenchufe el refrigerador o desconecte el suministro de energía.
- Saque todas las partes desmontables como estantes, compartimientos de verduras, etc.
- Para limpiar estantes, compartimientos y otras partes desmontables, utilice una esponja limpia o un paño suave y un detergente suave en agua tibia. No use detergentes fuertes o abrasivos.
- Lave a mano, enjuague y seque todas las superficies completamente.
- Cuando termine de limpiar, no se olvide de enchufar el refrigerador o reconectar el suministro de energía.

EXTERIOR

Encerar superficies metálicas pintadas ayuda a proveer protección contra el moho. No encere partes plásticas. Encere superficies metálicas pintadas al menos dos veces por año utilizando cera para enseres (o pasta de cera para autos). Aplique la cera con un paño suave limpio.

No utilice cera en exteriores de acero inoxidable. Utilice un producto especialmente diseñado para pulir enseres de acero inoxidable, o limpie con un paño suave o esponja limpia y detergente suave disuelto en agua tibia. Seque completamente con un paño suave.

NOTA: Evite el contacto de la superficie de la puerta con productos químicos que contenga Fosfato y Cloro.

PAREDES INTERNAS (permítale que el congelador se caliente un poco para que no se pegue el paño)

Para ayudar a eliminar los olores, usted puede lavar el interior del refrigerador y congelador con una mezcla de bicarbonato de soda y agua tibia. Mezcle 2 cucharadas de bicarbonato de soda a 1 cuarto de agua (26g de soda a 1 litro de agua). Asegúrese que el bicarbonato de soda se disuelva completamente para que no raye las superficies del refrigerador.

REVESTIMIENTOS Y JUNTAS DE LA PUERTA

No utilice limpiadores de ceras, detergentes concentrados, blanqueadores o limpiadores que contengan petróleo en partes plásticas. Utilice una esponja limpia o un paño suave con detergente suave en agua tibia. Lave, enjuague y seque todas las superficies completamente.

PARTES PLÁSTICAS (tapas y paneles)

No use toallas de papel, aerosoles para ventanas, productos de limpieza abrasivos o líquidos inflamables. Los mismos pueden rayar o dañar el material. Utilice una esponja limpia o un paño suave con detergente suave en agua tibia. Lave, enjuague y seque todas las superficies completamente.

TAPA POSTERIOR

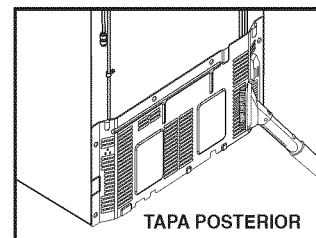
⚠ ADVERTENCIA

PELIGRO DE CHOQUE ELÉCTRICO

Antes de comenzar, desenchufe el refrigerador o desconecte la corriente de electricidad en el cortacorrente o caja de fusibles. No seguir estas instrucciones puede ocasionar la muerte o una lesión severa.

NOTA: La tapa posterior debe ser sacada por un técnico cualificado.

Limpie los conductos en la parte posterior. Utilice una aspiradora con la parte del cepillo, al menos dos veces por año para mantener su refrigerador funcionando efectivamente.



TAPA POSTERIOR

CAMBIO DEL FOCO DE LUZ

⚠ ADVERTENCIA

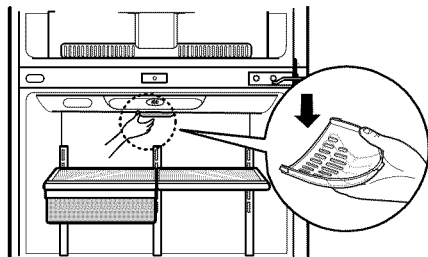
PELIGRO DE CHOQUE ELÉCTRICO

Antes de cambiar un foco de luz fundido, desenchufe el refrigerador o desconecte la corriente de electricidad en el cortacorrente o caja de fusibles.

NOTA: No todos los focos de luz servirán para su refrigerador. Asegúrese de cambiar el foco por uno del mismo tamaño, forma y vatios.

Para cambiar la luz del refrigerador:

1. Desenchufe el cable de electricidad del receptáculo.
2. Saque los estantes del refrigerador.
3. El protector de la luz esta ajustado a fuerza y tiene unas lengüetas plásticas en cada lado y al frente. Libere las lengüetas de los lados y empuje el protector hacia la parte de atrás del refrigerador y sáquelo.
4. Gire el foco en contra de las manecillas del reloj y sáquelo.
5. Cambie un foco fundido con un foco nuevo de 40 vatios y gírelo en dirección a las manecillas del reloj.
6. Vuelva a colocar el protector de la luz, colocando la lengüeta del frente dentro de la ranura y luego forzando los de los lados.
7. Vuelva a colocar los estantes del refrigerador.
8. Enchufe el cable de electricidad en el receptáculo.



INTERRUPCIONES DE ELECTRICIDAD

1. Si la electricidad se va por 24 horas o menos, mantenga las puertas del refrigerador cerradas para ayudar a mantener los alimentos fríos y congelados.
2. Si la electricidad se va por más de 24 horas:
 - a) Saque todos los alimentos congelados y guárdelos en un casillero para alimentos congelados.
 - O
 - b) Coloque 2 lbs. (ca. 1kg) de hielo seco en el congelador por cada pie cubico (28 L) de espacio en el congelador. Este mantendrá los alimentos congelados de dos a cuatro días. Al manejar hielo seco, utilice guantes para proteger sus manos de congelación.

⚠ ADVERTENCIA

PELIGRO DE SOFOCACIÓN

Cuando utilice hielo seco, procure tener ventilación adecuada. El hielo seco es dióxido de carbón congelado (CO₂). Cuando se evapora, puede desplazar el oxígeno causando mareos, dolores de cabeza leves, pérdida de conocimiento y muerte por sofocación. Abra una ventana y no respire los vapores.

O

- c) Si no tiene acceso a un casillero para alimentos o hielo seco, consuma o deseche los alimentos de inmediato.

RECUERDE: En una falla de electricidad, un congelador lleno se mantiene frío por más tiempo que uno parcialmente lleno. Un congelador lleno de carnes se mantiene frío por más tiempo que un congelador lleno de cosas horneadas. Si ve que los alimentos contienen cristales de hielo, puede que todavía sea seguro volverlos a congelar, aunque la calidad y el sabor pueden afectarse. Si la condición de los alimentos es pobre o si usted considera que no es seguro, deséchelo.

⚠ ADVERTENCIA

• **NO** vuelva a congelar alimentos que han sido descongelados completamente. El Departamento de Agricultura de los Estados Unidos en el Boletín #69 de Hogar y Jardinería establece que: Usted puede volver a congelar de manera segura, alimentos que se han descongelado si los mismos aún contienen cristales de hielo o si aún están fríos por debajo de 40°F (4°C).

Carnes picadas, aves o pescados que tengan un olor o color raro no deben volverse a congelar y no deben consumirse. Helado derretido debe desecharse. Si el color u olor de cualquier alimento es dudoso de mala apariencia, elimínelo. Los alimentos pueden que sean peligrosos para el consumo.

Incluso el descongelar parcialmente y volver a congelar reduce la calidad de consumo de los alimentos, particularmente en las frutas, vegetales y alimentos preparados. La calidad de consumo de las carnes rojas se afecta menos que el de muchos otros alimentos. Utilice los alimentos que ha vuelto a congelar tan pronto pueda para aprovechar al máximo su calidad de consumo.

CUANDO SE VA DE VACACIONES

Si escoge dejar su refrigerador encendido mientras está de viaje, siga estos pasos para preparar su refrigerador antes de irse.

1. Utilice cualquier alimento perecedero y congele otros artículos.
2. Vacíe el recipiente de hielo.
3. Apague la máquina de hacer hielo. **NOTA:** Si la temperatura ambiente bajará más del punto de congelación, haga que un técnico de servicio drene el sistema de reserva de agua (en algunos modelos) para prevenir serios daños a la propiedad debido a posible inundación por rupturas en las líneas de agua o conexiones.

Si escoge apagar su refrigerador antes de irse, siga estos pasos.

1. Saque todos los alimentos del refrigerador y vacíe el recipiente de hielo.
2. Desconecte el refrigerador.
3. Limpie el refrigerador y séquelo bien.
4. Pegue goma o bloques de madera en la parte superior de ambas puertas para dejarlas lo suficientemente abiertas para entre aire. Esto detiene que se forme olores y moho.

CUANDO SE MUDE

Cuando mude su refrigerador a un nuevo hogar, siga los siguientes pasos para prepararlo para la mudanza.

1. Saque todos los alimentos del refrigerador y empaque todos los alimentos congelados en hielo seco.
2. Desconecte el refrigerador.
3. Limpie el refrigerador y séquelo bien
4. Vacíe el agua de la bandeja de descongelar.
5. Limpie y seque completamente.
6. Saque todas las partes desmontables, envuélvalas bien y péguelas todas juntas para que no se muevan y suenen durante la mudanza. Haga referencia a las secciones de Utilizando su Refrigerador para instrucciones de cómo sacar las partes.
7. Dependiendo del modelo, levante la parte frontal del refrigerador para que ruede más fácilmente O atornille las patas niveladoras completamente para que no rayen el piso. Vea la sección de NIVELACIÓN Y CIERRE DE LA PUERTA.
8. Coloque cinta adhesiva en las puertas para cerrarlas y peque el cable de electricidad al refrigerador.

Cuando llegue a su nuevo hogar, coloque todo de vuelta y haga referencia a la sección de INSTALACIÓN DEL REFRIGERADOR para instrucciones.

SOBRE LA MÁQUINA AUTOMÁTICA DE HACER HIELO

⚠ ADVERTENCIA

PELIGRO DE LESIÓN PERSONAL

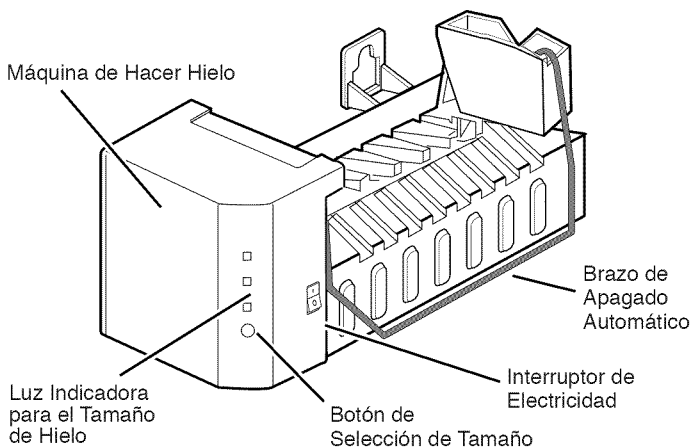
Evite el contacto con las partes en movimiento del mecanismo expulsor o del elemento calentador que libera los cubos de hielo. NO coloque los dedos o las manos en el mecanismo automático de hacer hielo cuando el refrigerador esté conectado.

La máquina de hacer hielo comenzará a operar cuando baje la temperatura hasta el punto de congelación.

NOTA: La función de Máquina Automática de Hacer Hielo está incluida solo en ciertos modelos. Otros modelos vienen listos con la función de Hacer Hielo. Por favor revise las especificaciones de su producto.

INSTRUCCIONES DE OPERACIÓN

Un refrigerador recién instalado puede que tarde de 12 a 24 horas en hacer hielo.



La máquina de hielo producirá 8 cubos por ciclo – aproximadamente 100-130 cubos en un periodo de 24 horas, dependiendo de la temperatura del compartimento del congelador, de la temperatura en la habitación, la cantidad de veces que se abra el refrigerador y otras condiciones de operación.

Si el refrigerador se utiliza antes de hacer la conexión de agua a la máquina de hielo, coloque el interruptor de electricidad a O (apagado).

Cuando el refrigerador se conecte al suministro de agua, cambie el interruptor de electricidad a I (encendido).

La máquina de hielo comenzará a operar cuando baje la temperatura hasta el punto de congelación. Un refrigerador recién instalado puede que tarde de 12 a 24 horas en hacer hielo.

Elimine las primeras tandas de hielo para permitir que el agua corra limpia.

Asegúrese que nada interfiera con la extensión del Brazo de Apagado Automático

Cuando se llene el recipiente al nivel del Brazo de Apagado Automático, la máquina de hielo dejará de producir hielo.

Es normal que varios cubos se peguen.

Si no se utiliza el hielo frecuentemente, los cubos de hielo viejos se pondrán nebulosos, tendrán un mal sabor, y se encogerán.

NOTA: Si el tamaño del cubo es más pequeño o más grande de lo que esperaba, usted puede regular el tamaño con el botón de selección de tamaño.

Cada vez que presiona el botón de selección de tamaño, el indicador se mueve una luz hacia arriba. Mientras más alta la posición de la luz, más grande será el cubo de hielo. Presionar el botón hasta la posición más alta lo regresa a la posición más baja.

CUANDO USTED DEBE PONER EL INTERRUPTOR DE ELECTRICIDAD DE LA MÁQUINA DE HIELO A O (APAGADO)

- Cuando vayan a cortar el suministro de agua por varias de horas.
- Cuando se saca el recipiente de hielo por más de uno o dos minutos.
- Cuando el refrigerador no se utilizara por varios días.

SONIDOS NORMALES QUE PUEDA QUE ESCUCHE

- La válvula de agua de la máquina de hielo sonará cuando la máquina se esté llenando de agua. Si el interruptor de electricidad está en la posición de I (encendido), sonará aunque aún no esté conectado al agua. Para detener el ruido, mueva el interruptor de electricidad a la posición de O (apagado).

NOTA: Mantener el interruptor de electricidad en la posición de I (encendido) antes de tener la tubería de agua conectada puede dañar la máquina de hielo.

- Escuchará el sonido de los hielos cuando caen en el recipiente y del agua cuando corre por las tuberías al momento que la máquina de hielo se reabastece de agua.

CONECTANDO LA TUBERÍA DE AGUA

ANTES DE COMENZAR

Esta instalación de la tubería de agua no está garantizada por el fabricante del refrigerador o de la máquina de hielo. Siga estas instrucciones cuidadosamente para minimizar el riesgo de un costoso daño al servicio de agua.

El martillo de agua (el ruido del agua chocando en las tuberías) en un hogar puede dañar partes del refrigerador y llevar a que ocurra filtración de agua o inundación. Llame a un fontanero para arreglar el martillo de agua antes de instalar la línea de abastecimiento de agua para el refrigerador.

Para prevenir quemaduras y daños al producto, no conecte la tubería de agua al suministro de agua caliente. Si utiliza su refrigerador antes de conectar la tubería de agua, asegúrese que el interruptor de electricidad de la máquina de hielo esté en la posición de O (apagado).

No instale la tubería de la máquina de hielo en áreas donde la temperatura cae bajo en punto de congelación.

Cuando utilice cualquier artefacto eléctrico (como un taladro eléctrico) durante la instalación, asegúrese que el artefacto esté doble-aislado o conectado a tierra a manera de prevenir un posible choque eléctrico, o que sea de baterías.

Todas las instalaciones deben ir acorde al código de requisitos de la fontanería local.

NOTA: Use protección para los ojos.

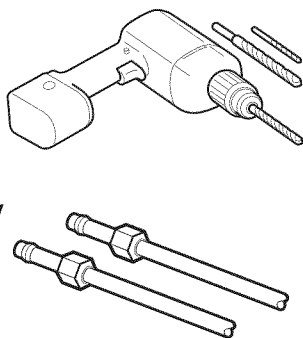
QUÉ NECESITARÁ

- **Tubos de cobre**, de 1/4" de diámetro externo para conectar el refrigerador al suministro de agua. Asegúrese que ambos lados del tubo estén cortados equitativamente.

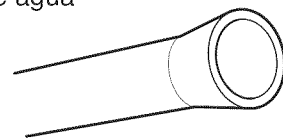


Para determinar la longitud de cuánta tubería va a necesitar: Mida la distancia desde la válvula de agua en la parte trasera del refrigerador hasta la tubería de agua. Agregue 8 pies (2.4 m). Asegúrese que haya suficiente tubería adicional (como 8 pies [2.4 m] enrollada en 3 espirales de 10" [25 cm] de diámetro) para permitir que el refrigerador se pueda mover fuera de la pared luego de la instalación.

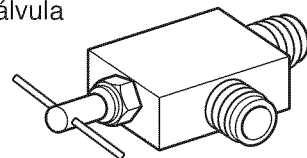
- **Suministro de agua fría.** La presión de agua debe estar entre 20 y 120 p.s.i. en modelos sin un filtro de agua y entre 40 y 120 p.s.i. en modelos con un filtro de agua.
- **Taladro eléctrico.**
- **1/2" ó llave ajustable**
- **Destornillador de cabeza plana y destornilladores Phillips.**
- **Dos tuercas de compresión de 1/4 " de diámetro externo y 2 férulas (mangas)** para conectar la tubería de cobre a la válvula de cierre y a la válvula de agua del refrigerador.



- Si su actual tubería de cobre de agua tiene un corte final nesgado, necesitará un **adaptador** (disponible en las tiendas de fontanería) para conectar la tubería de agua al refrigerador O puede cortar la parte nesgada con un cortador de tubos y luego utilice una unión de compresión.



- **Cierre la válvula para conectar la tubería de agua fría.** La válvula de cierre debería tener una entrada de agua con un diámetro mínimos de 5/32" en el punto de conexión a la TUBERÍA DE AGUA FRÍA. Las válvulas de cierre tipo silla vienen incluidas en muchos juegos de accesorios para tuberías de agua. Antes de comprarla, asegúrese que ese estilo de válvula cumple con los códigos locales de fontanería.



NOTA: No debe usar el estilo de Válvula de Agua Tipo Silla con estilo Perforado.

INSTRUCCIONES DE INSTALACIÓN

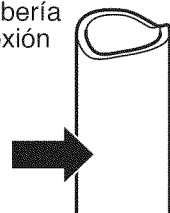
Instale la válvula de cierre en la tubería más cercana utilizada para agua potable.

1. CIERRE EL SUMINISTRO DE AGUA PRINCIPAL

Abra el grifo de agua más cercano para aliviar la presión en la tubería.

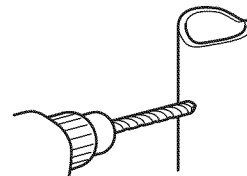
2. ESCOJA LA UBICACIÓN DE LA VÁLVULA

Escoja la ubicación para la válvula, que sea fácilmente accesible. Es recomendable conectar por el lado de una tubería vertical. Cuando sea necesario hacer una conexión a una tubería de agua horizontal, debe hacer la conexión desde la parte de superior o el lado, en vez de la parte inferior, para evitar atraer sedimentos a la tubería de agua.



3. PERFORE UN ORIFICIO PARA LA VÁLVULA

Perfore un orificio de 1/4" en la tubería de agua usando el taladro. Elimine cualquier residuo resultado de taladrar en la tubería. Tenga cuidado de no dejar que caiga agua en el taladro. El no lograr hacer un orificio de 1/4" puede resultar en la reducción de la producción de hielos o de cubos más pequeños.



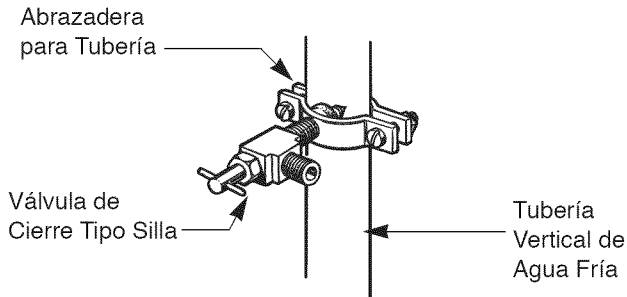
NOTA: La tubería no puede ser blanca ni plástica. Fontaneros con licencias deben usar solamente tubos de cobre #49595 ó 49599 ó tubos Cross Link Polyethylene(PEX).

CONECTANDO LA TUBERÍA DE AGUA

INSTRUCCIONES DE INSTALACIÓN (CONTINUACIÓN)

4. AJUSTE LA VÁLVULA DE CIERRE

Ajuste la válvula de cierre a la tubería de agua fría con la abrazadera para tubería.

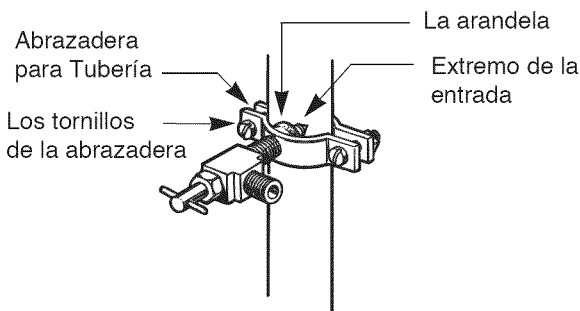


NOTA: Se adjudica el Código de Fontanería 248CMR del Estado de Massachusetts. Las válvulas tipo silla son ilegales y no se permiten en Massachusetts. Consulte a su fontanero licenciado.

5. APRIETE LA ABRAZADERA PARA TUBERÍA

Apriete los tornillos de la abrazadera para tubería hasta que la arandela provea un cierre hermético.

NOTA: No apriete demasiado porque se puede quebrar la tubería.



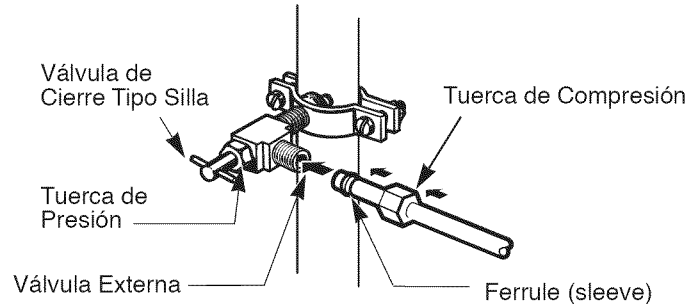
6. DIRECCIONANDO LA TUBERÍA

Direccione la tubería entre la tubería de agua fría y el refrigerador. Cree una ruta a través de un orificio perforado en la pared o piso (detrás del refrigerador o el gabinete adyacente) tan cerca de la pared como sea posible.

NOTA: Asegúrese que haya suficiente tubería adicional (cerca de 8 pies enrollado en 3 espirales de aproximadamente 10" de diámetro) para permitir mover el refrigerador de la pared luego de la instalación.

7. CONECTANDO LA TUBERÍA A LA VÁLVULA

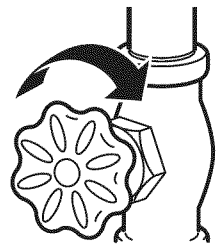
Coloque la tuerca de compresión y la férula (manga) para la tubería de cobre sobre la parte final del tubo y conéctelo a la válvula de cierre. Asegúrese de que el tubo se inserte completamente en la válvula. Atornille la tuerca de compresión fijamente.



NOTA: Se adjudica el Código de Fontanería 248CMR del Estado de Massachusetts. Las válvulas tipo silla son ilegales y no se permiten en Massachusetts. Consulte a su fontanero licenciado.

8. ENJUAGANDO LA TUBERÍA

Abra la llave del suministro principal de agua y enjuague la tubería hasta que el agua corra limpia. Apague el agua en la válvula luego de que se haya enjuagado aproximadamente un cuarto de agua de la tubería.



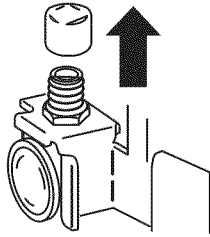
CONECTANDO LA TUBERÍA DE AGUA

9. CONECTE LA TUBERÍA AL REFRIGERADOR

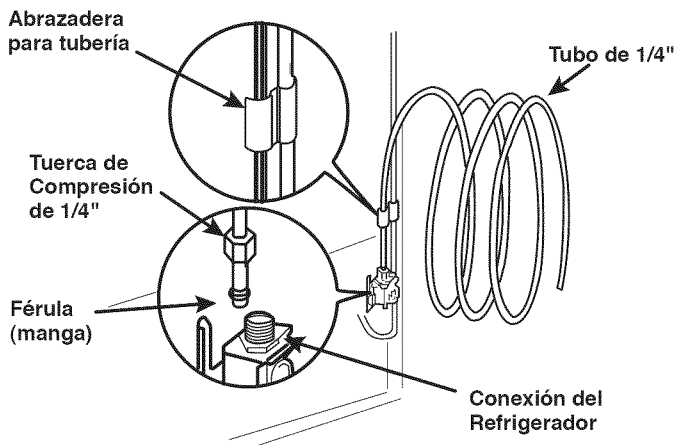
NOTA:

- Antes de realizar la conexión al refrigerador, asegúrese de que el cable de electricidad del refrigerador no está conectado al receptáculo en la pared.
- Si su refrigerador no tiene un filtro de agua, le recomendamos que instale uno si su suministro de agua contiene arena o partículas que puedan tapan la capa de la válvula de agua del refrigerador. Instale el filtro en la tubería de agua cerca del refrigerador.

1. Saque la tapa plástica flexible de la válvula de agua.
2. Coloque la tuerca de compresión y la férula (manga) al final del tubo como se muestra en la ilustración.
3. Inserte la parte final del tubo de cobre en la conexión lo más que pueda. Mientras sujeta el tubo, ajuste la unión.



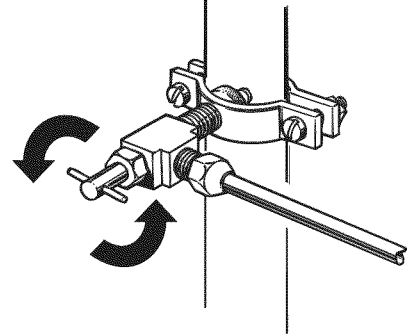
⚠ PRECAUCIÓN: Revise que no ocurran fugas en la conexión de la tubería de agua.



⚠ PRECAUCIÓN: Revise que no hayan ocurrido goteras en la conexión de la tubería de agua.

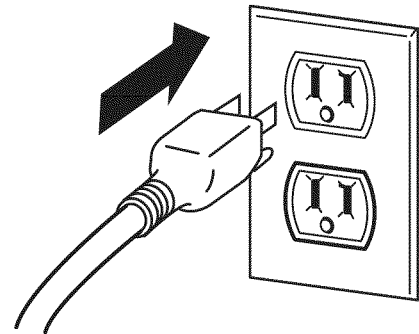
10. ABRA LA LLAVE DE AGUA EN LA VÁLVULA DE CIERRE

Ajuste cualquier conexión que tenga fuga. Vuelva a colocar la tapa para el acceso al compartimiento del compresor.



11. CONECTE EL REFRIGERADOR

Acomode los espirales de tubería para que no vibren con la parte de atrás del refrigerador o con la pared. Empuje el refrigerador hacia la pared.



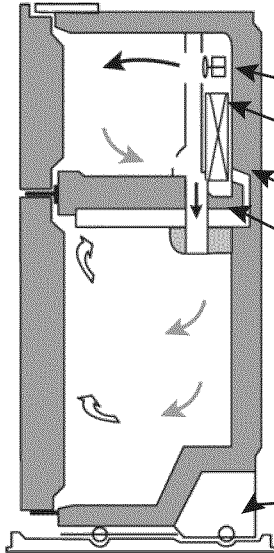
12. COMIENCE A USAR LA MÁQUINA DE HIELO

Coloque el interruptor de electricidad de la máquina de hielo en la posición de I (encendido). La máquina de hielo no comenzará a operar hasta que alcance su temperatura operacional de 15°F (-9°C) o menos. En ese momento comenzará a operar automáticamente si el interruptor de electricidad está en la posición de I (encendido).

GUÍA DE SOLUCIÓN DE PROBLEMAS

ENTENDIENDO LOS SONIDOS QUE ESCUCHA

Su nuevo refrigerador puede que haga sonidos que su viejo refrigerador no hacía. Porque los sonidos son nuevos para usted, puede que se preocupe. La mayoría de estos nuevos sonidos son normales. Superficies sólidas, como el piso, las paredes y los gabinetes pueden acrecentar los sonidos. Lo siguiente describe los tipos de sonido y qué los crea.

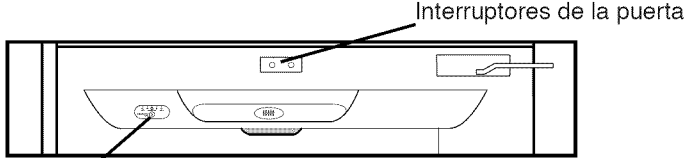


- El cronometro de descongelación suena cuando el ciclo automático de descongelación comienza y termina. El control del termostato (o control del refrigerador, dependiendo el modelo) también sonará cuando el ciclo comience y termine.
- Sonidos ruidosos puede venir del flujo del refrigerante, de la tubería de agua o de artículos almacenador encima del refrigerador.
- Su refrigerador está diseñado para que funcione efectivamente para mantener sus alimentos en la temperatura deseada. El compresor de alta eficiencia puede causar que su refrigerador corra por más tiempo que su antiguo refrigerador, pero utilizará menos energía. Puede que escuche un sonido pulsante o de chillón.
- Puede que escuche el motor del abanico evaporador circulando el aire entre los compartimientos del refrigerador y congelador.
- Cuando cada ciclo termina, puede que escuche un sonido gluglú debido al flujo del refrigerante en su refrigerador.
- La contracción y expansión de las paredes internas puede que cause un ruido como de estallido.
- El goteo de agua en el calentador de descongelación durante el ciclo de descongelación puede causar un sonido como de algo friendo.
- Puede que escuche el aire siendo forzado por el condensador por el abanico de condensación.
- Puede que escuche agua corriendo por el recipiente de desagüe durante el ciclo de descongelación.

EL REFRIGERADOR NO FUNCIONA

Revise si...

Entonces...

El cable de electricidad está desconectado.	Firmemente conecte el cable en un receptáculo con el voltaje adecuado.
Un fusible del hogar se ha fundido o el cortacircuitos se disparó.	Cambie el fusible o reajuste el cortacircuito.
El panel de control de luces está encendiendo de forma secuencial (1-2-3-4-5).	<p>El control del refrigerador está en el Modo Demo (Demostración). Para salir del Modo Demo:</p> <ol style="list-style-type: none"> 1. Abra ambas puertas: la del refrigerador y congelador. 2. Presione ambos interruptores de la puerta a la misma vez y presione el botón de Ajuste de Temperatura por 5 segundos.  <p>Interruptores de la puerta</p> <p>Botón de Ajuste de Temperatura</p>
El refrigerador está en el ciclo de descongelación.	Esperen como 30 minutos para que el ciclo de descongelación termine.

SONIDOS DE VIBRACIÓN O RUIDOSOS

Revise si...

Entonces...

El refrigerador no está firmemente en el suelo.	El piso es débil o desnivelado o necesita ajustar las patas niveladoras. Vea la sección de NIVELACION Y CIERRE DE PUERTA.
---	---

GUÍA DE SOLUCIÓN DE PROBLEMAS

LUCES NO FUNCIONAN

Revise si...	Entonces...
El cable de electricidad está desconectado.	Firmemente conecte el cable en un receptáculo con el voltaje adecuado.
El foco de luz está suelto.	Desconecte el refrigerador o corte la corriente de electricidad en el cortacircuito o la caja de fusibles. Cuidadosamente quite el foco de luz y vuélvalo a poner. Luego conecte el refrigerador y reajuste los controles del refrigerador.
El foco de luz se ha fundido.	Desconecte el refrigerador o corte la corriente de electricidad en el cortacircuito o la caja de fusibles. Cambie el foco de luz por otro foco del mismo voltaje, tamaño y forma, disponible en cualquier ferretería. (Vea la sección de CAMBIO DEL FOCO DE LUZ).

EL MOTOR DEL COMPRESOR PARECE QUE FUNCIONA EXCESIVAMENTE

Revise si...	Entonces...
El refrigerador que se cambió era un modelo más viejo.	Refrigeradores modernos con más espacio para almacenaje requieren más tiempo operacional.
La temperatura en la habitación es más caliente que lo normal.	El motor correrá por más tiempo en condiciones cálidas. A temperaturas normales de la habitación, espere que el motor corra aproximadamente de 40% a 80% del tiempo. Bajo condiciones más cálidas, espere que corra aún más seguido.
La puerta se abre frecuentemente o se ha añadido una gran cantidad de alimentos.	Añadir alimentos y abrir la puerta del refrigerador, calienta el refrigerador. Es normal que el refrigerador funcione por más tiempo para poder enfriar. Añadir una gran cantidad de alimentos calienta el refrigerador. Vea la sección de GUÍA PARA ALMACENAR ALIMENTOS. Para conservar energía, trate de sacar todo lo que necesita del refrigerador de una sola vez; también mantenga los alimentos organizados para que sea fácil encontrarlos y cierre la puerta una vez haya terminado.
El refrigerador se conectó recientemente y se ajustó correctamente el control del refrigerador.	El refrigerador tardará hasta 24 horas en enfriarse completamente.
El control del refrigerador no se fija correctamente para las condiciones circundantes	Vea la sección de AJUSTANDO LOS NIVELES DE CONTROL.
Las puertas no cierran completamente.	Cierre las puertas firmemente. Si no cierran, ve la sección de abajo "Puertas no cierran completamente".
Las bobinas del condensador están sucias.	Esto previene la transferencia de aire y hace que el motor trabaje más fuerte. Limpie las bobinas del condensador. Haga referencia a la sección de CUIDADOS Y LIMPIEZA.

PUERTAS NO CIERRAN COMPLETAMENTE

Revise si...	Entonces...
El refrigerador no está nivelado.	Vea la sección de INSTALACIÓN DEL REFRIGERADOR, NIVELACIÓN Y ALINEACIÓN DE LA PUERTA para nivelar el refrigerador.
Paquetes de alimentos están bloqueando la puerta.	Reorganice los envases de comida para limpiar un poco la puerta y los anaqueles de la puerta.
El recipiente de hielo, la tapa del compartimiento de verduras, estantes, anaqueles de puerta, o canastas están fuera de posición.	Empuje los recipientes hasta el fondo y coloque la tapa del compartimiento de verduras, estantes y canastas en su posición correcta. Vea la sección de UTILIZANDO SU REFRIGERADOR.
Los juncos de la puerta están pegajosos.	Limpie los juncos de la puerta y la superficie que toca. Pase una capa fina de cera de parafina en los juncos luego de limpiarlos.
El refrigerador se tambalea o parece inestable.	Nivele el refrigerador. Use de referencia la sección de NIVELACIÓN Y CIERRE DE PUERTA.
Las puertas se sacaron durante la instalación del producto y no se colocaron correctamente de vuelta.	Saque y vuelva a colocar las puertas de acuerdo a la sección de QUITANDO Y REEMPLAZANDO PUERTAS o PUERTAS REVERSIBLES, o llame a Sears o a otro técnico de servicio.

GUÍA DE SOLUCIÓN DE PROBLEMAS

ESCARCHA O CRISTALES DE HIELO SOBRE ALIMENTOS CONGELADOS

Revise si...	Entonces...
La puerta no está cerrando adecuadamente.	Vea la sección arriba de "Puertas no cierran completamente".
La puerta está abierta frecuentemente.	Cuando la puerta está abierta, entra aire caliente y húmedo al congelador causando la escarcha.

HIELO TIENE UN SABOR Y OLOR RARO

Revise si...	Entonces...
La máquina de hielo se instaló recientemente.	Elimine las primeras tandas de hielo para evitar hielos con mal sabor y descoloración.
El hielo lleva almacenado mucho tiempo.	Elimine el hielo viejo y haga nuevas provisiones.
Los alimentos no se han envuelto correctamente en ninguno de los compartimentos.	Vuelva a envolver los alimentos, ya que los olores emigran al hielo si los alimentos no se cubren correctamente.
El suministro de agua contiene minerales como azufre.	Puede que necesite instalar un filtro para eliminar los problemas de sabor y olor.
El interior del refrigerador necesita limpieza.	Vea la sección de CUIDADOS Y LIMPIEZA.
El recipiente de hielo está sucio.	Vacíe y lave el recipiente. Elimine los viejos cubos de hielo.

HAY AGUA EN EL RECIPIENTE DE DESAGÜE DE DESCONGELACIÓN

Revise si...	Entonces...
El refrigerador está descongelando.	El agua se evaporará. Es normal que caiga agua en el recipiente de descongelación.
Está más húmedo de lo normal.	Espere que el agua en el recipiente de descongelación tarde más en evaporarse. Esto es normal cuando está muy caliente o húmedo.

EL REFRIGERADOR HACE MUCHO RUIDO

Revise si...	Entonces...
Los sonidos son normales para su refrigerador.	Haga referencia a la sección de ENTENDIENDO LOS SONIDOS QUE ESCUCHA.

LA MÁQUINA DE HACER HIELO NO PRODUCE HIELO O LOS CUBOS DE HIELO SE CONGELAN MUY LENTAMENTE

Revise si...	Entonces...
La temperatura del congelador está lo suficientemente fría para producir hielo.	Espere 24 horas luego de instalar la maquina, para la producción de hielo. Vea la sección de CONFIGURANDO LOS CONTROLES.
Puerta se quedó abierta.	Verifique si algo mantiene la puerta abierta.

LOS CUBOS DE HIELO SON MUY PEQUEÑOS

Revise si...	Entonces...
El nivel pequeño de tamaño para hielos está seleccionado.	Seleccione un tamaño más grande usando el selector de tamaños.
La válvula de cierre conectando el refrigerador a la tubería de agua puede que esté tapada.	Llame a un fontanero para que limpie la válvula.

GUÍA DE SOLUCIÓN DE PROBLEMAS

ES DIFÍCIL ABRIR LAS PUERTAS

Revise si...	Entonces...
Los jantes de las puertas están sucios o pegajosos.	Limpie los jantes de la puerta y las superficies que ha tocado. Pase una capa fina de cera de parafina en los jantes luego de limpiarlos.
La puerta se vuelve a abrir en un corto tiempo de haberla tenido abierta.	Cuando usted abre la puerta, entra aire caliente al refrigerador. Mientras el aire caliente se enfría crea un vacío. Si la puerta se torna difícil de abrir espere 5 minutos y permita que la presión de aire se equilibre y vea si abre más fácilmente.

LA MÁQUINA AUTOMÁTICA DE HIELO NO FUNCIONA (Máquina de hielo disponible en algunos modelos)

Revise si...	Entonces...
El interruptor de la máquina está en la posición O (apagado).	Mueva el interruptor a la posición de I (encendido).
El suministro de agua está apagado o no está conectado.	Vea la sección de CONECTANDO LA TUBERÍA DE AGUA.
El compartimiento del congelador está muy caliente.	Espere 24 horas para que el congelador alcance la temperatura ideal.
Hielo acumulado en el recipiente de hielo hace que la máquina se apague.	Nivele los cubos de hielo con la mano.

TEMPERATURA MUY CALIENTE O ACUMULACIÓN DE HUMEDAD EN EL INTERIOR

Revise si...	Entonces...
Los conductos de aire están bloqueados. El aire frío fluye desde el congelador a la sección de alimentos frescos y de vuelta a través de los conductos de aire en la pared que divide las dos secciones.	Localice los conductos de aire con su mano para sentir el flujo de aire y mueva los paquetes que bloquean los conductos e impiden el flujo de aire. Haga referencia a la sección de ASEGURANDO EL FLUJO DE AIRE ADECUADO para localizar los conductos de aire.
Las puertas se abren con frecuencia.	Cuando la puerta se abre, entra aire húmedo y caliente al refrigerador. Mientras más se abre la puerta, más rápido se acumula la humedad y es más la cantidad de aire caliente que el refrigerador tiene que enfriar. Para mantener el refrigerador frío, trate de sacar todo lo que necesita del refrigerador de una sola vez; también mantenga los alimentos organizados para que sea fácil encontrarlos y cierre la puerta una vez haya terminado.
El control no está ajustado correctamente tomando en cuenta las condiciones del entorno.	Haga referencia a la sección de CONFIGURANDO LOS CONTROLES. Espere 24 horas para que las temperaturas se estabilicen. Si la temperatura está muy fría o muy caliente, mueva el disco un número a la vez.
Gran cantidad de alimentos se ha puesto en el refrigerador o congelador.	Añadir alimentos calienta el refrigerador. Puede tardar varias horas en lo que el refrigerador regresa a su temperatura normal.
Los alimentos no están envueltos correctamente.	Envuelva los alimentos herméticamente y limpie envases húmedos antes de colocarlos en el refrigerador para evitar la acumulación de humedad. Si es necesario, vuelva a empacar los alimentos según los consejos en la sección de GUÍA PARA ALMACENAR ALIMENTOS.
Las puertas no cierran completamente.	Vea la parte de "Las puertas no cierran completamente".
El clima está húmedo.	En climas húmedos, el aire carga partículas de humedad que entran al refrigerador cuando las puertas están abiertas.
Un ciclo de descongelación automática ha terminado.	Es normal que se formen gotas de agua en la pared del fondo después de que el refrigerador ha pasado por el ciclo de descongelación.

TABLE DES MATIÈRES

Garantie & Enregistrement du Produit	63-64	Réglage de l'humidité pour le bac à légumes	80
Instructions de Sécurité	65-66	Étagères de la porte	80-81
Exigences d'Emplacement	66	Balconnets dans la porte	81
Parties & Caractéristiques	67	Balconnets à produits laitiers/ Étagères à canettes	81
		Bac à glace	81
Installation du Réfrigérateur	68-75	Nettoyage & Entretien	82-83
Déballage du réfrigérateur	68	Conseils généraux de nettoyage	82
Installation	68	À l'extérieur	82
Grille de la base	68	L'intérieur des mûrs	82
Enlever & remplacer les portes	69-70	Doublure des portes & joints d'étanchéité	82
Inverser les portes	70-75	Pièces en plastique	82
Nivellement & fermeture des portes/ Alignement des portes	75	Condensateur à bobines	82
Utilisation du réfrigérateur	76-81	Remplacement des ampoules électriques	82-83
Assurer une bonne circulation de l'air	76	Interruption du courant électrique	83
Paramètres de contrôles	76	Entretien vacances ou lors d'un déménagement	83
Ajuster les paramètres de contrôle	77	À Propos de la Machine à Glaçons Automatique	84
Guide d'entreposage des denrées alimentaires	77	Connexion de la Ligne à Eau	85-87
Entreposer les aliments surgelés	78	Guide de Dépannage	88-91
Tablettes du réfrigérateur	79-81		
Tiroir à collation	79		
Bac à légumes & couvercle	80		



CONGÉLATEUR SUPÉRIEUR RÉFRIGÉRATEUR

Garantie d'Appareil Kenmore

Garantie Limitée d'un An

Si installé, opéré et entretenu selon toutes les instructions fournies avec le produit, si cet appareil échoue dû à un défaut matériel ou de main-d'œuvre à l'intérieur d'un an depuis la date d'achat, appelez le 1-800-4-MY-HOME® pour prendre des dispositions pour une réparation gratuite.

Si cet appareil est utilisé pour d'autres fins qu'une utilisation privée familiale, cette garantie ne s'applique que pour 90 jours suivant la date d'achat.

Cette Garantie ne s'applique que pour des défauts matériels ou de main-d'œuvre. Sears NE déboursera PAS pour :

1. Des biens durables qui peuvent se dissocier d'une utilisation normale, incluant mais ne se limitant pas aux filtres, aux ceintures, aux ampoules, et aux sacs.
2. Un technicien de service pour instruire l'utilisateur dans une installation correcte du produit, d'opération ou d'entretien.
3. Un technicien de service pour nettoyer ou entretenir ce produit.
4. Un dommage ou un échec de ce produit s'il n'est pas installé, opéré ou entretenu correctement selon toutes les instructions fournies avec le produit.
5. Un dommage ou un échec de ce produit résultant d'un accident, d'un abus, d'une utilisation abusive ou autre que l'utilisation destinée à ce produit.
6. Un dommage ou un échec de ce produit résultant de l'utilisation de détergents, de nettoyants, de produits chimiques ou d'ustensiles autres que ceux recommandés dans la totalité des instructions fournies avec l'appareil.
7. Un dommage ou un échec des parties ou du système résultant de modifications non autorisées sur le produit.

Clause d'exonération de responsabilité au titre des garanties implicites; limitation des recours

Le seul et exclusif recours du client dans le cadre de la présente garantie limitée consiste en la réparation prévue ci-dessus. Les garanties implicites, y compris les garanties applicables de qualité marchande et d'aptitude à un usage particulier, sont limitées à un an ou la plus courte période autorisée par la loi. Sears n'assume aucune responsabilité pour les dommages fortuits ou indirects.

Certains États ou certaines provinces ne permettent pas l'exclusion ou la limitation des dommages fortuits ou indirects, ou la limitation de la durée des garanties implicites de qualité marchande ou d'aptitude à un usage particulier, de sorte que cette exclusion peut ne pas être applicable dans votre cas.

Cette garantie s'applique seulement lorsque cet appareil ménager est utilisé aux États-Unis ou au Canada.

Cette garantie vous confère des droits juridiques spécifiques et vous pouvez également jouir d'autres droits qui peuvent varier d'un État à l'autre.

**Sears, Roebuck and Co., Hoffman Estates, IL 60179
Sears Canada, Inc., Toronto, Ontario, Canada M5B 2B8**

CONTRAT DE PROTECTION

Contrat Principal de Protection

Nous vous félicitons d'avoir fait un achat judicieux.

Votre nouveau produit Kenmore® est conçu et fabriqué pour vous procurer des années de fonctionnement fiable. Mais comme pour tous les produits, il pourra à l'occasion nécessiter un entretien préventif ou une réparation.

Le cas échéant, un Contrat Principal de Protection peut vous épargner de l'argent et des soucis.

Le Contrat Principal de Protection aide également à allonger l'espérance de vie de votre nouvel appareil ménager. Le Contrat Principal de Protection* inclus :

- Les pièces et la main-d'œuvre** nécessaire au bon fonctionnement de l'appareil **lors d'une utilisation normale**, en plus des défauts de fabrication. Notre couverture s'étend **bien au-delà de la garantie du produit**.
- Service expert** par un de nos 10,000 **techniciens de service Sears**. Ce qui veut dire que quelqu'un de confiance travaillera sur votre produit.
- Appels de service illimités et à la grandeur du pays**, aussi souvent que vous le voulez, quand vous le voulez.
- Garantie « Anti-citron »** - remplacement de votre produit couvert si quatre pannes ou plus se produisent en deçà de douze mois.
- Remplacement du produit** si votre produit couvert ne peut être réparé.
- Vérification annuelle d'entretien préventif** sur demande – sans frais supplémentaire.
- Aide rapide au téléphone** - aussi appelée **Résolution rapide** – support téléphonique par un représentant Sears sur tous les produits. Pensez à nous en tant que « manuel du propriétaire parlant ».
- Protection contre les sautes de puissance** pour prévenir les dommages attribuables aux fluctuations de courant.
- Protection de 250\$ contre les pertes d'aliments** annuellement pour tout gaspillage de nourriture dû à une défaillance mécanique de n'importe quel réfrigérateur ou congélateur couvert.
- Location remboursée** si l'attente de réparation dépasse le temps promis.
- Rabais de 10%** sur le prix régulier de n'importe quel service de réparation non couvert et les parties installées connexes.

Dès que vous vous inscrivez au Contrat, il suffit d'un simple appel téléphonique pour obtenir un rendez-vous de service. Vous pouvez appeler en tout temps, jour et nuit, ou prendre un rendez-vous de service en ligne.

Le Contrat Principal de Protection est un achat sans risque. Si vous annulez pour n'importe quelle raison pendant la période de garantie du produit, nous fournirons un remboursement complet. Ou un remboursement au prorata n'importe quand après l'expiration de la garantie du produit. Procurez-vous le Contrat Principal de Protection dès aujourd'hui!

Certaines limitations et exclusions s'appliquent. Pour tout prix ou renseignements supplémentaires aux États-Unis, composez le 1-800-827-6655.

***La couverture au Canada varie sur certains items. Pour les détails complets appelez Sears Canada au 1-800-361-6655.**

Service d'Installation Sears

Pour un service professionnel d'installation Sears d'appareils ménagers, d'ouvre portes de garage, de chauffe-eau, et autres principaux items de maison, aux États-Unis ou au Canada, appelez le 1-800-4-MY-HOME®.

ENREGISTREMENT DU PRODUIT

Dans l'espace ci-dessous, inscrire la date d'achat et les numéros de modèle et de série du produit. Vous trouverez le numéro de modèle et de série imprimé sur l'étiquette d'identification située sur le côté droit du compartiment du réfrigérateur. Ayez ces informations disponibles lorsque vous contacterez Sears à propos de votre produit.

Numéro de modèle _____

Date d'achat _____

Numéro de série _____

Concessionnaire _____

Conservez ces informations et attachez le reçu de vente pour d'éventuelles références.

IMPORTANTES INSTRUCTIONS DE SÉCURITÉ

MESSAGES DE SÉCURITÉ

Ce guide contient plusieurs messages de sécurité. Assurez-vous de toujours lire tous les messages de sécurité et de vous y conformer.



Voici le symbole d'alerte de sécurité. Ce symbole vous alerte des dangers potentiels de décès ou de blessures pour vous ou pour d'autres, ou des risques d'endommagement du produit.

Tout message de sécurité sera précédé du symbole d'alerte de sécurité et des termes DANGER, AVERTISSEMENT ou ATTENTION. Ces mots signifient :

DANGER

Vous serez tué ou sérieusement blessé si vous ne suivez pas les instructions.

AVERTISSEMENT

Vous pourriez être tué ou sérieusement blessé si vous ne suivez pas les instructions.

ATTENTION

Indique une situation à risque imminente qui, si elle n'est pas évitée, peut entraîner des blessures mineures ou légères, ou bien des dommages au produit.

Tout message de sécurité identifiera le risque, expliquera comment réduire les risques de blessures et les conséquences du non-respect des instructions.

AVERTISSEMENT

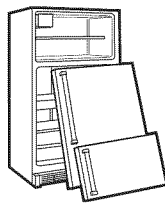
Pour réduire les risques d'incendie, de chocs électriques ou de blessures lors de l'utilisation de votre produit, quelques précautions fondamentales doivent être suivies incluant celles-ci :

- Ne JAMAIS débrancher le réfrigérateur en retirant le câble d'alimentation. Toujours tenir la prise de courant fermement et la retirer d'un coup du mur.
- Réparer ou remplacer immédiatement tout câble électrique devenu effiloché ou tout autrement endommagé. Ne pas utiliser un câble qui montre des signes de fissures ou d'écorchures sur son long ou à l'une ou à l'autre des extrémités de la prise électrique ou de la connexion.
- Lorsque vous éloignerez votre réfrigérateur du mur, faites attention de ne pas passer sur le câble électrique ou de l'endommager de tout autre manière.
- NE PAS entreposer ou utiliser de gazoline ou tout autres vapeurs ou liquides inflammables à proximité de cet ou autre appareil ménager.
- NE PAS permettre aux enfants de grimper, de se tenir ou de se pendre sur les portes ou les étagères du réfrigérateur. Ils pourraient endommager le réfrigérateur et se blesser sérieusement.
- Garder les doigts hors proximité des zones de « points de pincement »; les espaces entre les portes et entre les portes et les armoires sont nécessairement petits. Faites attention lors de la fermeture des portes lorsque des enfants se trouvent à proximité.
- Débrancher le réfrigérateur avant de le nettoyer ou d'y effectuer des réparations. **REMARQUE** : Nous suggérons que tout entretien de service soit effectué par un individu qualifié.
- Avant de remplacer une ampoule brûlée, débrancher le réfrigérateur ou enlever le courant du disjoncteur électrique ou de la boîte à fusibles pour ainsi éviter de rentrer en contact avec un fil électrifié. (Une ampoule électrique brûlée peut casser lorsque remplacée.) **REMARQUE** : Régler l'un ou l'autre des contrôles, ou les deux en même temps, à HORS TENSION n'enlève pas le courant du circuit électrique de la lumière.
- Ne pas entreposer de bouteilles dans le compartiment congélateur, elles pourraient casser lorsque congelées, causant des dommages.
- Pour votre sécurité personnelle, cet appareil ménager doit être correctement installé. Faites vérifier la prise de courant au mur ainsi que le circuit électrique par un électricien qualifié afin de s'assurer de la bonne connexion électrique de l'appareil ménager.
- Lire toutes les instructions avant d'utiliser cet appareil ménager.
- Utiliser cet appareil ménager uniquement dans son but premier tel que décrit dans ce manuel d'utilisation et d'entretien.
- Ce réfrigérateur doit être correctement installé selon les instructions décrites dans l'Attention Instructive de l'Installateur qui ont été collées sur le devant du réfrigérateur.
- Une fois le réfrigérateur en opération, ne pas mettre les mains sur les surfaces froides dans le compartiment congélateur lorsqu'elles sont humides ou mouillées. La peau peut rester collée sur les surfaces extrêmement froides.
- Dans les réfrigérateurs avec des machines à glaçons automatiques, éviter les contacts avec le mécanisme d'éjection ou avec l'élément chauffant qui libère les glaçons. NE PAS mettre les doigts ou les mains sur le mécanisme automatique à glaçons quand le réfrigérateur est branché à un courant électrique.
- NE PAS recongeler des aliments qui ont déjà complètement décongelé. Le Bulletin numéro 69 du Département de l'Agriculture dans les Maisons et les Jardins des États-Unis stipule :
« ... Vous pouvez avec toute sécurité recongeler de la nourriture qui aurait décongelée si elle contient des cristaux de glace ou sa température se situe au dessous de 40°F (4°C). »
« ... De la viande hachée décongelée, de la volaille ou du poisson qui auraient une odeur et/ou une couleur distinctes ne devraient pas être recongelés ou mangés. De la crème glacée fondue devrait être jetée. Toute nourriture à l'odeur et à la couleur particulière ou questionnable devrait être écartée. Elle pourrait être dangereuse à manger. » « Même la décongélation et la re-congélation partielle réduit la qualité nutritive de la nourriture, particulièrement les fruits, les légumes et les aliments préparés. La qualité nutritive de la viande rouge est moins affectée que d'autres aliments. Utiliser les aliments re-congelés le plus rapidement possible pour conserver le maximum de qualité nutritive. »

SAUVEGARDER CES INSTRUCTIONS

⚠ DANGER : RISQUE D'EMPRISONNEMENT DES ENFANTS

L'emprisonnement et la suffocation des enfants ne sont pas choses du passé. La ferraille ou les réfrigérateurs abandonnés sont toujours dangereux... Même lorsque entreposés que « pour quelques jours ». Si vous vous débarrassez de votre ancien réfrigérateur, veuillez SVP suivre les instructions à droite pour prévenir des accidents.



AVANT DE JETTER VOTRE ANCIEN RÉFRIGÉRATEUR OU CONGÉLATEUR

- Enlevez les portes.
- Laissez les étagères en place afin que les enfants ne puissent pas facilement grimper à l'intérieur.

ÉLIMINATION DES CFC

Votre vieux réfrigérateur comporte un système de refroidissement qui utilise les CFC (chlorofluorocarbones). Les CFC sont connus pour endommager la couche d'ozone stratosphérique.

Si vous vous débarrassez de votre vieux réfrigérateur, assurez-vous que le compartiment réfrigéré comportant les CFC soit proprement enlevé par un réparateur qualifié. Si vous jetez intentionnellement ce compartiment libérant des CFC, vous pouvez être sujets à des amendes ou une peine d'emprisonnement en vertu des dispositions de la législation environnementale.

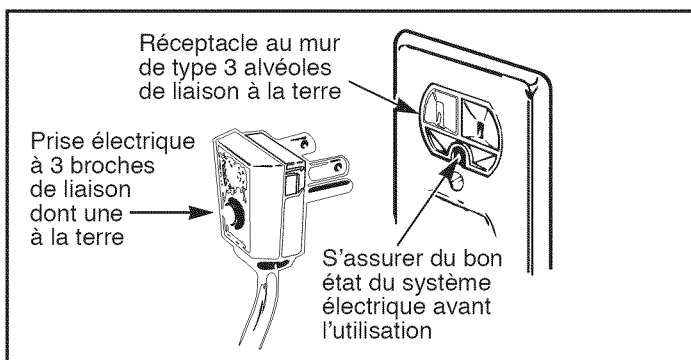
EXIGENCES DE LIAISON À LA TERRE

IMPORTANT : SVP lire attentivement POUR CONNECTER L'ÉLECTRICITÉ

⚠ AVERTISSEMENT

Risque de chocs électriques

Pour votre sécurité personnelle, cet appareil ménager doit être correctement installé. Faites vérifier la prise de courant au mur ainsi que le circuit électrique par un électricien qualifié afin de s'assurer de la bonne connexion électrique de l'appareil ménager.



MÉTHODE RECOMMANDÉE DE LIAISON À LA TERRE

Le réfrigérateur devrait toujours être branché dans sa propre sortie électrique reliée à la terre dont la source d'alimentation est de 115 Volts, 60 Hz, de type 15 ou 20 ampères CA seulement. Ainsi procure-t-on une meilleure performance, on prévient aussi une surcharge des circuits électriques de la maison qui causerait des risques d'incendie produits pas une surchauffe des câbles électriques. Il est également recommandé d'utiliser un circuit électrique distinct uniquement pour cet appareil ménager.

Utiliser une prise murale qui ne peut pas être mise hors circuit à l'aide d'un commutateur ou d'une chaîne de traction. Ne pas utiliser de câble de rallonge.

Admettant la rencontre avec une prise de courant conventionnelle à deux broches de liaison à la terre, il en est de votre responsabilité et obligation de la faire remplacer par une prise murale à trois alvéoles de liaison dont une à la terre.

Sous aucune circonstance, il ne vous est permis de couper ou d'enlever la troisième broche de liaison à la terre.

NOTE : Avant d'effectuer la moindre installation, le moindre nettoyage, ou le retrait d'une ampoule électrique brûlée, mettre le contrôle (Thermostat, contrôle du Réfrigérateur ou du Congélateur dépendant du modèle) à hors tension et par la suite débrancher le réfrigérateur de la source de courant. Une fois terminé, rebrancher le réfrigérateur à la source de courant et réinitialiser le contrôle aux paramètres désirés.

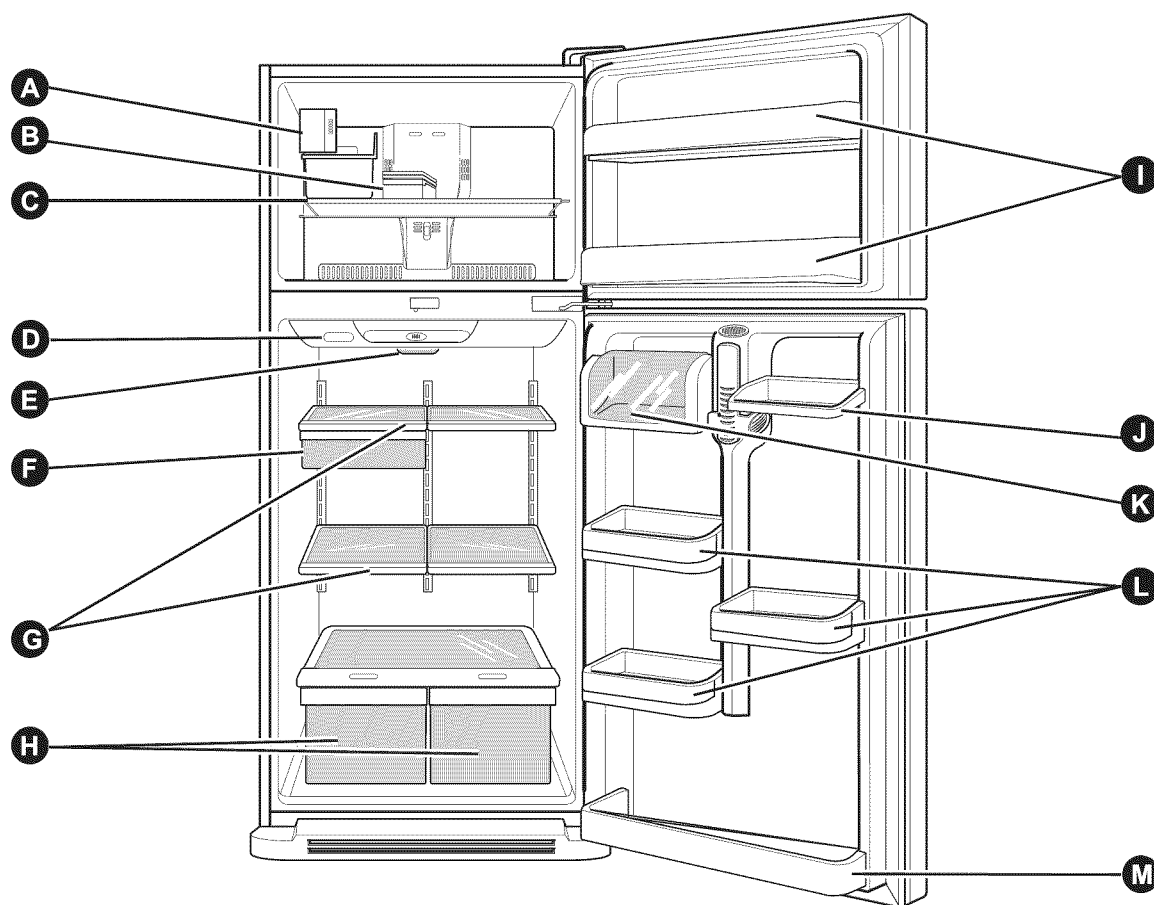
UTILISATION DE CÂBLE DE RALLONGE

Pour des risques de sécurité potentiels sous certaines circonstances, nous recommandons fortement contre l'utilisation de câbles de rallonge.

Cela dit, si vous décidez quand même d'utiliser un câble de rallonge, il est absolument indispensable que ceux-ci soient de type UL (aux États-Unis) ou de type CSA (au Canada), rallonge d'appareil ménager à trois fils de liaison à la terre, qui a une prise électrique et une sortie, et que le rendement du câble électrique soit de 15 ampères (minimum) et 120 Volts.

L'utilisation d'un câble électrique augmente l'espace nécessaire à l'arrière du réfrigérateur.

PIÈCES & CARACTÉRISTIQUES



Utilisez cette section pour devenir plus familier avec les pièces et les caractéristiques de votre produit. Des références de pages sont incluses pour votre commodité.

NOTE : Ce guide s'applique à plusieurs modèles différents. Le réfrigérateur que vous vous êtes procuré peut avoir plusieurs ou tous les items mentionnés plus bas. L'emplacement des différentes caractéristiques peut ne pas s'accorder à votre modèle.

A Machine à Glaçons CustomCube*

B Bac à Glace*

C Étagère du Congélateur

D Contrôle de la Température Numérique

E Lumière du Réfrigérateur

F Tiroir à Collations

G Étagères

H Bacs à Légumes et couvercles
Gardent les fruits et les légumes frais et croustillants

I Étagères de la Porte

J Casier à Canettes*

K Bac à Produits Laitiers

L Bacs de Porte

M Casier de la Porte du Réfrigérateur

* Sur certains modèles

INSTALLATION DU RÉFRIGÉRATEUR

⚠ AVERTISSEMENT

Risque de Poids Excessif

Utilisez plus de deux personnes pour bouger et installer le réfrigérateur. Ignorer cette consigne pourrait entraîner des blessures au dos ou d'autres blessures.

DÉBALLAGE DE VOTRE RÉFRIGÉRATEUR

Enlevez le ruban et tout autre étiquette de votre réfrigérateur avant de l'utiliser. Ne Pas enlever aucune étiquette d'avertissement ou l'étiquette du modèle et du numéro de série.

Pour enlever tout résidu de ruban ou de colle, frottez la zone rapidement avec votre pouce. Les résidus de ruban ou de colle peuvent également être facilement enlevés en frottant un peu de liquide à vaisselle sur l'adhésif avec les doigts. Essuyer avec de l'eau chaude et sécher.

Ne Pas utiliser d'outil pointu, d'alcool à friction, de liquide inflammable ou de nettoyant abrasif pour enlever les rubans ou la colle. Ces produits peuvent endommager la surface de votre réfrigérateur. Pour plus d'information, voir la section Importantes Instructions de Sécurité.

Les étagères du réfrigérateur sont installées dans la position d'expédition.

SVP réinstallez les étagères selon vos besoins personnels.

⚠ AVERTISSEMENT

Déplacement de votre réfrigérateur

Votre réfrigérateur est lourd. Lors du déplacement du réfrigérateur pour le nettoyage ou le service, veillez à protéger le plancher. Toujours tirer le réfrigérateur tout droit lors du déplacement. Ne pas incliner le réfrigérateur d'un côté ou de l'autre ni le faire marcher en essayant de le déplacer car le plancher pourrait être endommagé.

⚠ AVERTISSEMENT

Risque d'explosion

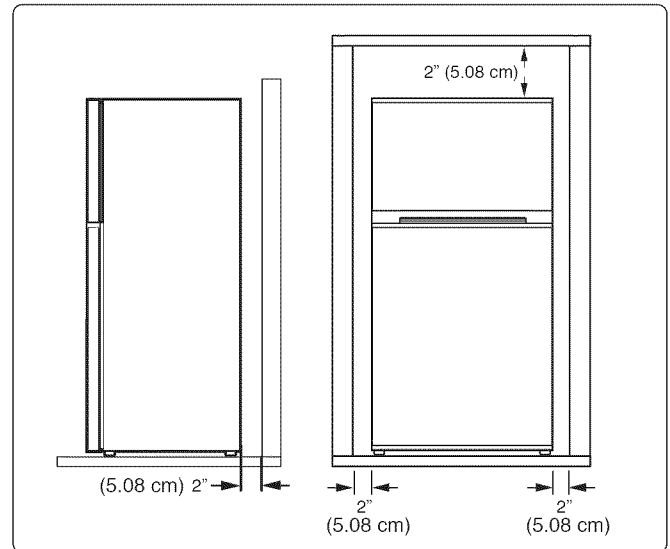
Garder les matériaux et les vapeurs inflammables, tel que l'essence, loin du réfrigérateur.

Le non-respect de cette instruction peut causer un décès, une explosion ou un incendie

INSTALLATION

1. Éviter de placer l'unité près de sources chauffantes, des rayons directs du soleil ou de l'humidité.
2. Pour minimiser les vibrations et le bruit, le réfrigérateur DOIT être installé sur un plancher solidement construit.
3. Les surfaces de moquettes ou de tuiles molles ne sont pas recommandées.
4. NE JAMAIS installer le réfrigérateur sur une plateforme ou une structure mal supportée.
5. Installer cet appareil ménager dans une zone où la température oscille entre 55°F (13°C) et 110°F (43°C). Si la température autour de l'appareil ménager est trop basse ou trop haute, la capacité de refroidissement pourrait être affectée.

NOTE: Pour une bonne circulation de l'air, un bon refroidissement et de bons résultats de consommation énergétique, maintenir à une distance de 2 pouces (5,08 cm) des items et surfaces adjacents.



⚠ AVERTISSEMENT

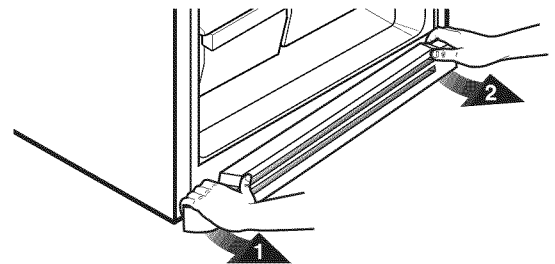
- Ayez des soins quand travaillera avec des charnières, grille base, bouchons, etc. Peut être blessé.
- Ne placez pas les mains ou les brindilles de métal dans conduits air, grille de base ou de la partie de de vers le bas du réfrigérateur. Il pourrait être blessé ou recevoir un choc électrique.

INSTRUCTIONS DE LA GRILLE DE LA BASE

La Grille à la base de l'unité est installée sous pression.

POUR ENLEVER LA GRILLE

- Ouvrir ou enlever la porte du réfrigérateur
- Sur le côté gauche de la Grille de la base, saisir l'ouverture entre la grille et le cadre du réfrigérateur et retirer. Ensuite retirer le côté droit de la Grille.



POUR REMPLACER LA GRILLE

- La porte du réfrigérateur doit être ouverte ou enlevée.
- Localiser la fente sur le devant droit de l'habitacle du réfrigérateur.
- Guider l'agrafe en métal sur le côté droit de la Grille dans la fente sur l'habitacle.
- Guider l'agrafe en métal sur le côté gauche de la Grille dans la fente sur l'habitacle.
- Pousser les agrafes dans les fentes fermement jusque la Grille se mette en place.

INSTALLATION DU RÉFRIGÉRATEUR

⚠ AVERTISSEMENT

RISQUE DE CHOCS ÉLECTRIQUES

Avant de commencer, mettre le réfrigérateur à hors tension et le débrancher. Enlevez la nourriture ou toute Porte Ajustable ou tout Bac Utilitaire des portes. Le non-respect de cette règle peut entraîner la mort ou de sérieuses blessures.

ENLEVER ET REPLACER LES PORTES

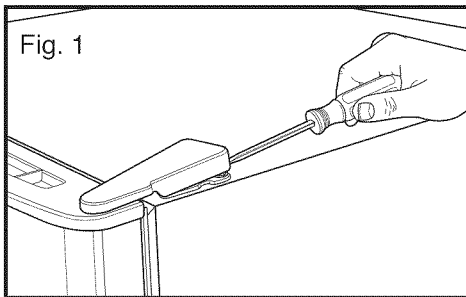
Si l'entrée est de moins de 35 pouces de largeur, les portes du réfrigérateur devront être enlevées.

OUTILS NÉCESSAIRES :

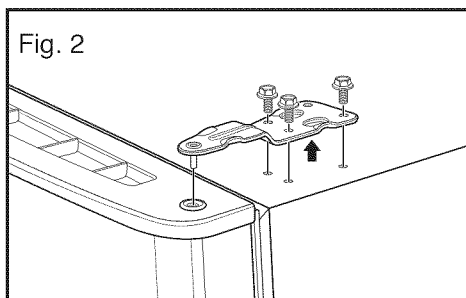
- Clé à molette de 10mm ou 13/32 de pouce (avec extensions de 2 pouces pour les charnières du bas de porte)
- Tournevis à tête Philips No. 2
- Tournevis à tête plate pour immiscer

ENLEVER LA PORTE DU CONGÉLATEUR

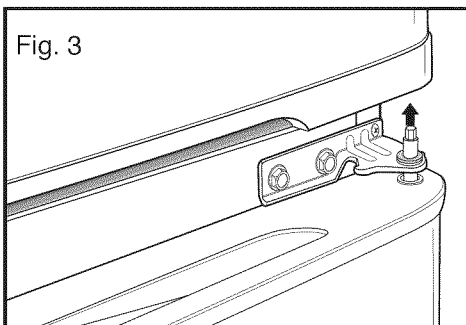
- Doucement immiscer la Couverture de la Charnière du Haut avec un tournevis à tête plate et enlever (voir Fig. 1)



- Avec une clé à molette de 10mm ou 13/32 de pouce, enlever les 3 boulons et soulever la Charnière du Haut. (Fig. 2) Mettre les parties de côté.

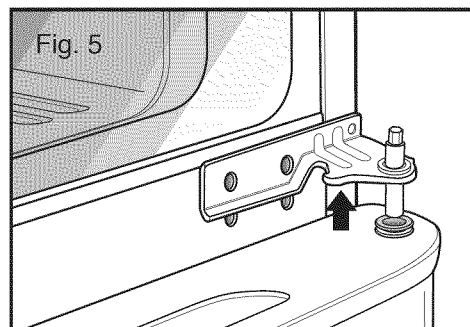
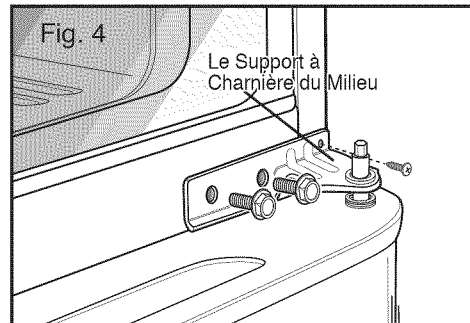


- Soulevez légèrement la porte du congélateur et l'enlever. (Fig. 3) Mettre de côté.

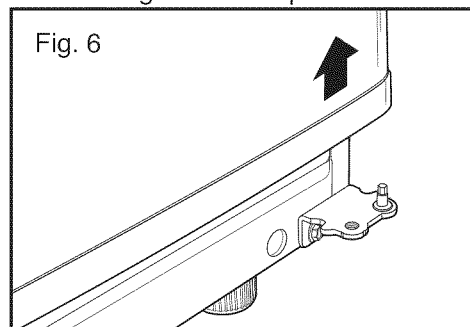


ENLEVER LES PORTES DU RÉFRIGÉRATEUR

- Desserrer et enlever les 2 boulons et la vis à tête Philips pour enlever le Support à Charnière du Milieu du réfrigérateur. (Fig. 4 et 5) Mettre les parties de côté.



- Soulever légèrement la porte et l'enlever.

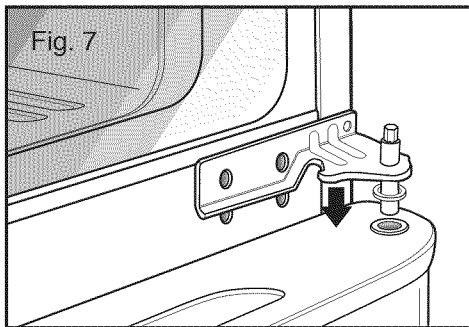


Pour remplacer les portes, commencer par les portes du réfrigérateur et ensuite poursuivre avec la porte du congélateur.

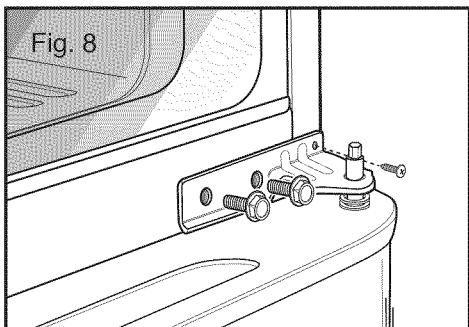
INSTALLATION DU RÉFRIGÉRATEUR

REPLACER LES PORTES DU RÉFRIGÉRATEUR

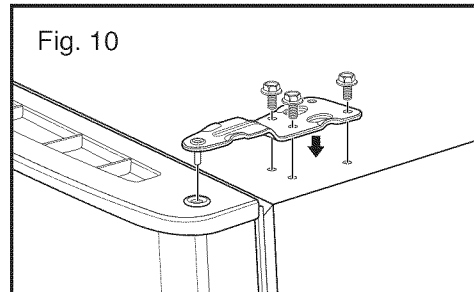
- Installer la porte sur la Broche à Charnière du Bas.
- Placer la Broche à Charnière du Support à Charnière du Milieu à l'intérieur de la broche à Charnière Inséré sur le dessus de la porte (Fig. 7). Maintenir la porte en place et aligner le Support à Charnière du Milieu avec les trous dans l'habitacle du réfrigérateur.



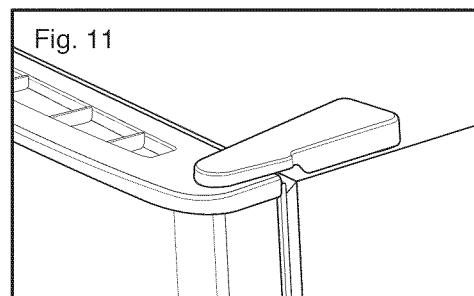
- Utiliser les deux boulons et la vis Philips pour ajuster de nouveau le Support à Charnière du Milieu et la porte à l'habitacle du réfrigérateur. (Fig. 8)



- Placer la Broche à Charnière du Haut sur le dessus de la porte du congélateur et aligner la Charnière du Haut avec les trous sur le dessus du réfrigérateur. Utiliser les trois boulons pour remplacer la Charnière (Fig. 10).

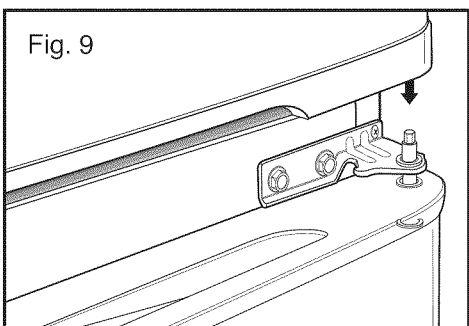


- Replacer doucement la Couverture de la Charnière du Haut en place. (Fig. 11)



REPLACER LA PORTE DU CONGÉLATEUR

- Installer la porte du congélateur sur la Broche à Charnière du Milieu. (Fig. 9)



⚠ AVERTISSEMENT

RISQUE DE CHOCS ÉLECTRIQUES

Avant de commencer, mettre le réfrigérateur à hors tension et le débrancher. Enlevez la nourriture ou toute Porte Ajustable ou tout Bac Utilitaire des portes. Le non-respect de cette règle peut entraîner la mort ou de sérieuses blessures.

INVERSER LES PORTES

Vous trouverez peut-être plus pratique de convertir l'ouverture des portes du type ouverture-gauche (comme installées en usine) au type ouverture-droite. Les directions réfèrent au côté droit comme côté à droite quand vous faites face à l'unité.

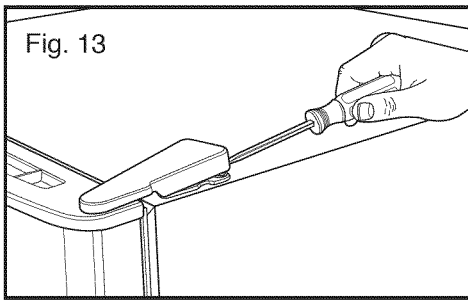
OUTILS NÉCESSAIRES

- Clé à molette de 10mm ou 13/32 de pouce (avec extensions de 2 pouces pour les charnières du bas de porte)
- Tournevis à tête Philips No. 2
- Clé à molette d'1/4 de pouce
- Tournevis à tête plate pour immiscer

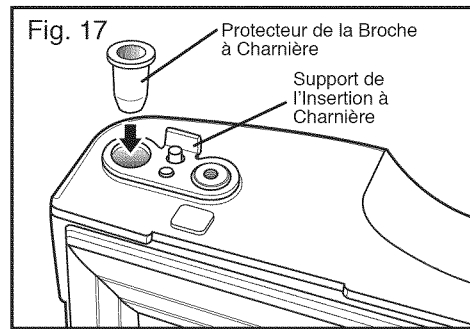
INSTALLATION DU RÉFRIGÉRATEUR

INVERSER LA PORTE DU CONGÉLATEUR

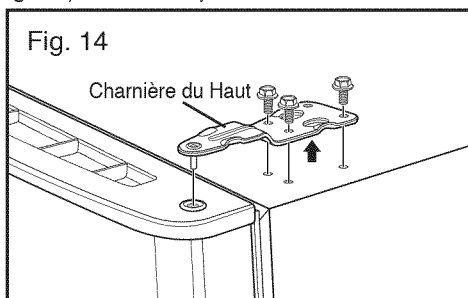
- Doucement immiscer la Couverture de la Charnière du Haut avec un tournevis à tête plate et enlever. (Fig. 13)



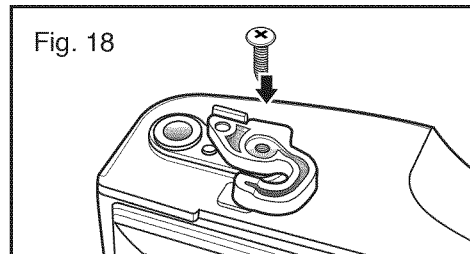
- Bouger le Support de l'Insertion de la Broche à Charnière de l'autre côté de la porte, en gardant la même orientation, et mettre l'Insertion de la Broche à Charnière dans le trou du côté gauche du Support (Fig. 17).



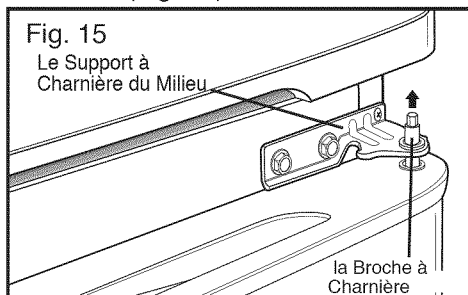
- Avec une clé à molette de 10mm ou 13/32 de pouce, enlever les 3 boulons et soulever la Charnière du Haut. (Fig. 14) Mettre les parties de côté.



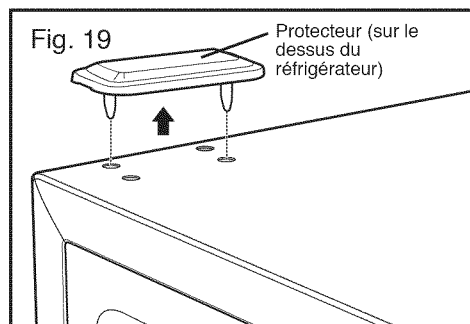
- Inverser le Ferme-Porte en le retournant de l'autre côté (voir Fig. 18), le placer sur le dessus du Support de l'Insertion de la Broche à Charnière et serrer les deux en place avec le tournevis.



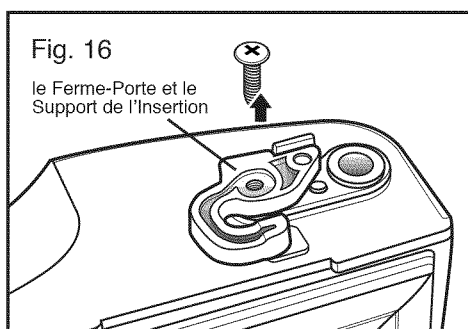
- Soulever légèrement la porte du congélateur et l'enlever. (Fig. 15)



- Immiscer le protecteur sur les dessus du réfrigérateur à gauche pour découvrir les trous des vis (Fig. 19).
- Mettre la porte du congélateur et les pièces de la Charnière du Haut de côté et enlever la porte du réfrigérateur.



- Tourner la porte du congélateur de haut en bas sur une surface qui ne fait pas d'éraflures et desserrer les vices pour enlever le Ferme-Porte et le Support de l'Insertion de la Broche à Charnière sur le bas de la porte du congélateur (voir Fig. 16).

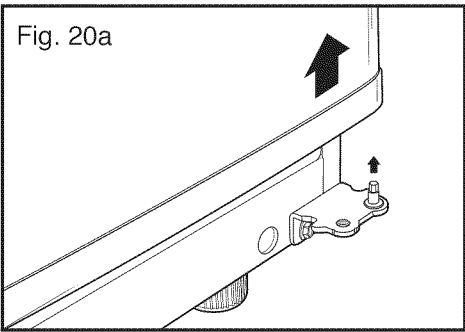
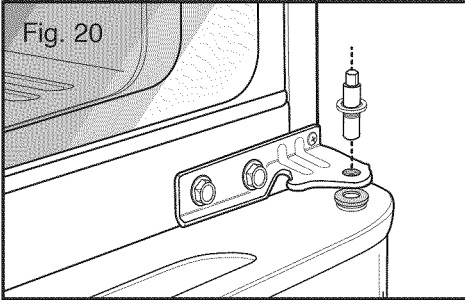


INSTALLATION DU RÉFRIGÉRATEUR

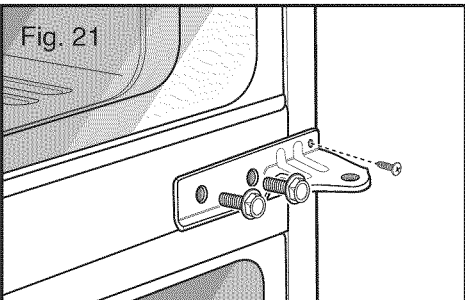
INVERSER ET RÉATTACHER LA PORTE DU RÉFRIGÉRATEUR

- En utilisant une clé à molette de ¼ de pouce, desserrer et enlever la Broche à Charnière du Support de la Broche à Charnière du Milieu. Enlever la Rondelle sous la charnière du milieu et mettre de côté.

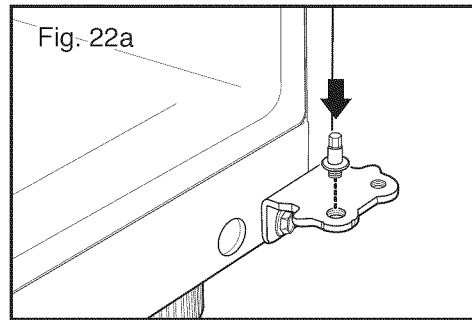
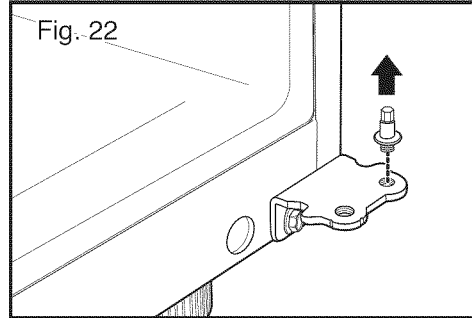
NOTE À ce point-ci la porte est desserrée, soulevez-la soigneusement et retirez la. (Fig. 20 & 20a)



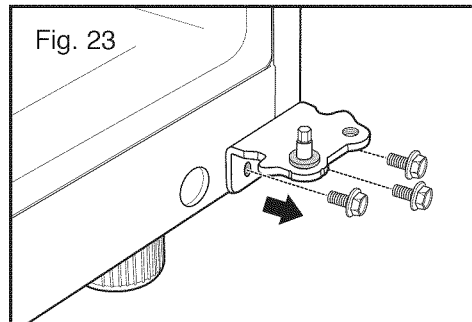
- Desserrer et enlever les 2 boulons et la vis à tête Philips pour enlever le Support de la Charnière du Milieu de l'habitacle du réfrigérateur (Fig. 21). Mettre les parties de côté.



- **ENLEVER** la grille de la base. Voir les **INSTRUCTIONS DE LA GRILLE DE LA BASE**
- Enlever la Rondelle de la Broche à Charnière du Milieu (Fig. 22).
- En utilisant une clé à molette de ¼ de pouce, desserrer et enlever la Broche à Charnière de la Charnière du Bas. Attacher la Broche à Charnière de l'autre côté de la Charnière (voir Fig. 22 & 22a). **NOTE** Ceci est plus facile à faire quand la Charnière reste attachée.

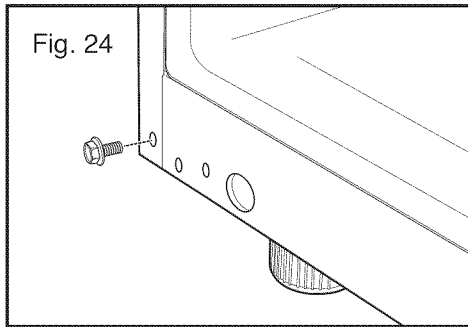


- En utilisant une clé à molette de 10mm ou de 13/32 de pouce avec des extensions de 2 pouces, desserrer les 3 boulons et enlever la Charnière du Bas du côté gauche de son habitacle (Fig. 23).

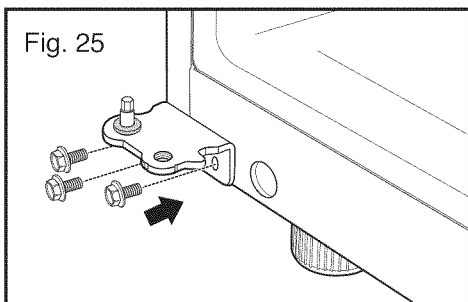


INSTALLATION DU RÉFRIGÉRATEUR

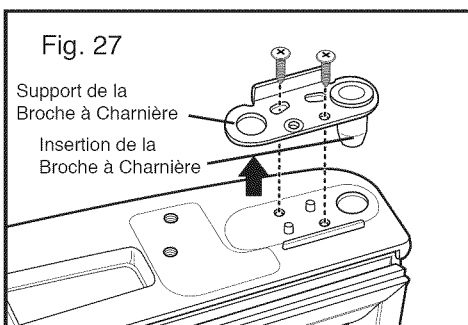
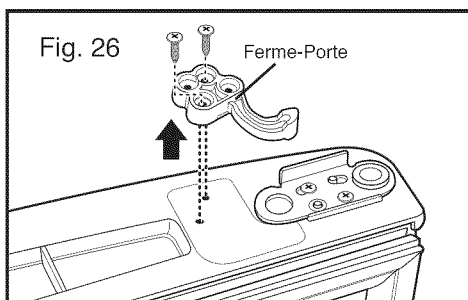
- À ce point-ci, enlever le Boulon Décoratif sur le Bas de l'habitacle du réfrigérateur du côté gauche (Fig. 24). Vous aurez besoin de ce trou pour la Charnière du Bas.



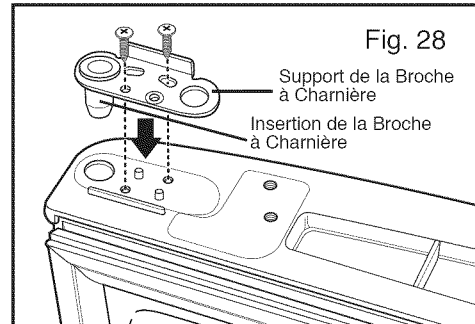
- Bouger la Charnière du Bas sur le côté gauche du réfrigérateur en gardant la même orientation, et attacher avec trois boulons (Fig. 25). Maintenant bouger le Boulon Décoratif sur le bas du côté droit de son habitacle.



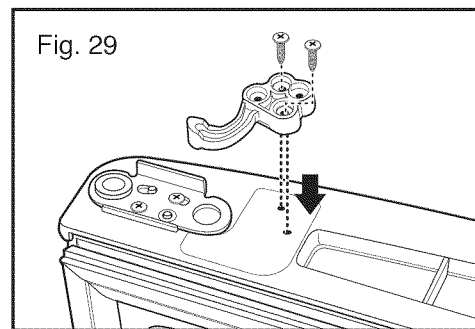
- Tourner la porte du réfrigérateur de haut en bas sur une surface qui ne fait pas d'éraflure.
- Avec la porte qui est maintenant de haut en bas, desserrer les 2 vis et enlever le Ferme-Porte (Fig. 26), ensuite desserrer les 2 autres vis pour enlever le Support de l'Insertion de la Broche à Charnière du bas avec l'Insertion de la Broche à Charnière (voir Fig. 27).



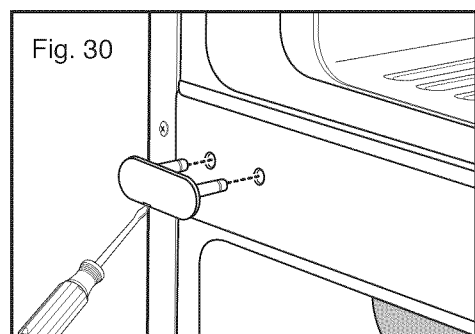
- Retirer l'Insertion de la Broche à Charnière et bouger le Support de l'autre côté de la porte, en gardant la même orientation (Fig. 28).
- Placer l'insertion de la Broche à Charnière dans le côté gauche du support. Serrer le Support de la Broche à Charnière à la porte (Fig. 28).



- Prendre le Ferme-Porte et le retourner (voir Fig. 29). Aligner les trous de vis et le monter sur le côté gauche du bas de la porte avec les 2 vis. Tourner la porte du bon côté, elle est maintenant prête à être ré-attachée.

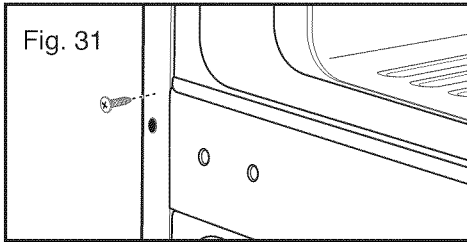


- Avec un tournevis à tête plate, immiscer doucement et enlever le protecteur des trous à vis sur le côté gauche de l'habitacle du réfrigérateur (Fig. 30).

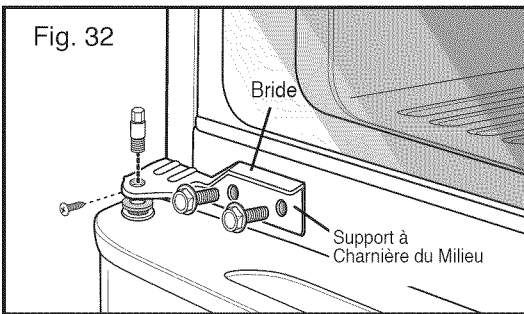


INSTALLATION DU RÉFRIGÉRATEUR

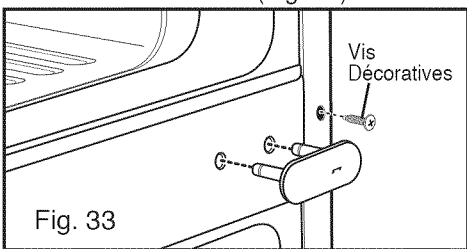
- Enlever l'extérieur inférieur des 2 Vis Décoratives de leur habitacle de la zone entre les portes du congélateur et du réfrigérateur (Fig. 31). (Vous aurez besoin de ces trous pour le Support à Charnière du Milieu).



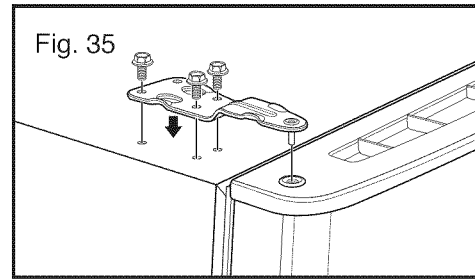
- En suivant l'illustration, tourner le Support à Charnière du Milieu (la Bride est maintenant sur le dessus) et positionnez le sur le côté gauche du réfrigérateur et attacher avec deux boulons et un tournevis Philips (Fig. 32).
- Déposer la porte du réfrigérateur sur la broche de la charnière du bas (Fig. 32).
- Placer la Rondelle entre le réfrigérateur et la Broche à Charnière sur le Support à Charnière avec la clé à molette de 1/4 de pouce. **NOTE** Le support a été inversé, mais la Broche à Charnière reste dans la même orientation avec son extrémité hexagonale vers le haut (Fig. 32).



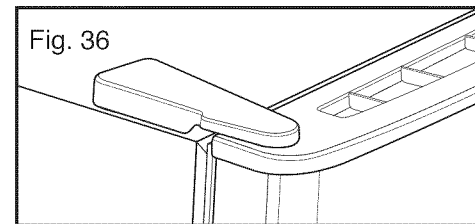
- Placer les Vis Décoratives vers l'extérieur supérieur des 2 cavités sur le côté droit de leur habitacle (Fig. 33).
- Fixer le Protecteur sur le côté droit. Le Protecteur doit être installé avec force (Fig. 33).



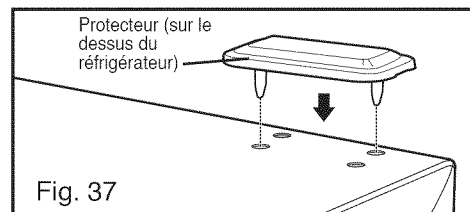
- Placer la Broche à Charnière du Haut sur le dessus de la porte du congélateur et aligner la Charnière du Haut avec les trous sur le dessus du réfrigérateur. Utiliser les 3 Boulons pour remplacer la Charnière (Fig. 35).



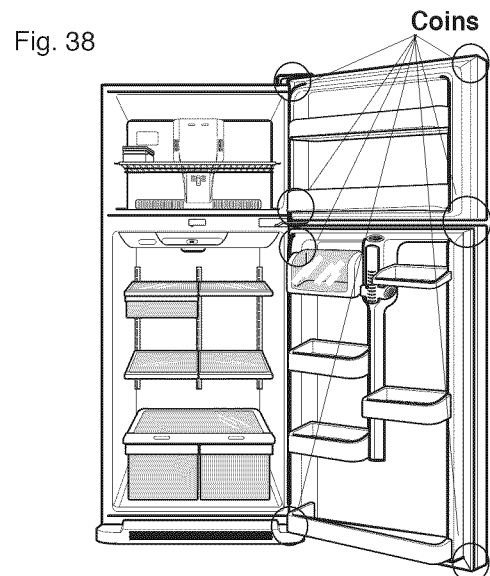
- Serrer les boulons, insérer avec force le Protecteur de la Charnière du Haut sur la Charnière du Haut (Fig. 36).



- Remplacer le Protecteur du côté gauche du dessus du réfrigérateur au côté droit du dessus pour couvrir les trous. Le Protecteur doit aussi être inséré avec force (Fig. 37).

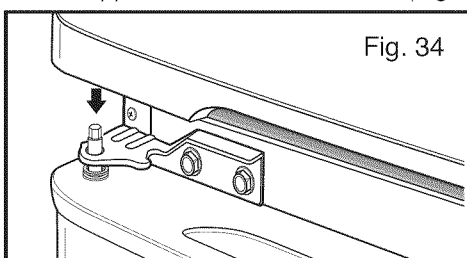


Après le changement de porte, s'assurer que les coins des Joints d'étanchéité de la Porte ne sont pas obstrués (Fig. 38). Pour assurer une bonne étanchéité, appliquer une mince couche de graisse silicone sur les coins des Joints d'étanchéité.



RÉ-ATTACHER LA PORTE DU CONGÉLATEUR

- Poser la porte du congélateur sur la Broche à Charnière sur le Support à Charnière du Milieu (Fig. 34).



MISE À NIVEAU ET FERMETURE DE LA PORTE

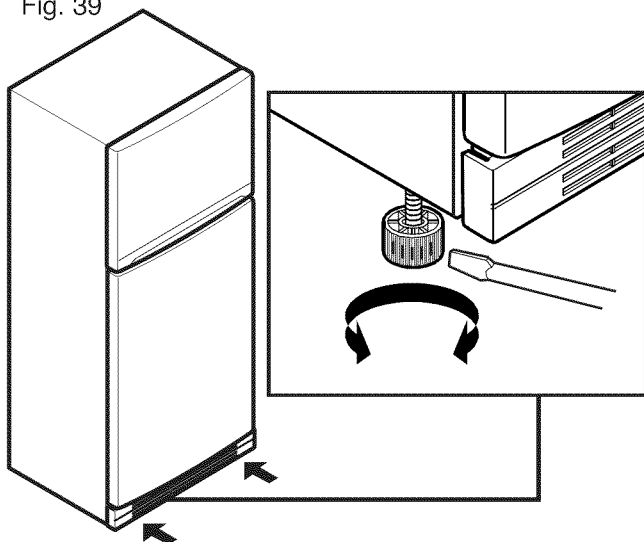
Afin d'éviter les vibrations, l'unité doit être mise à niveau. Si nécessaire, ajuster le Niveau des Jambes pour compenser l'inégalité du sol. Le devant doit être légèrement surélevé par rapport à l'arrière pour aider à la fermeture des portes.

Votre réfrigérateur a deux Vis de Nivellement des Jambes à l'avant - un à droite et un à gauche. Si votre réfrigérateur semble instable ou si vous désirez que vos portes se ferment plus aisément, ajuster l'inclinaison en utilisant les instructions suivantes :

1. Brancher le cordon d'alimentation de votre réfrigérateur dans une prise électrique à 3 broches de liaison à la terre. Bouger le réfrigérateur dans sa position finale.
2. Enlever la grille de la base. **VOIR INSTRUCTIONS SUR LA GRILLE DE LA BASE** à la page 68. Les 2 Vis de Mise à Niveau sont situées sous le réfrigérateur de chaque côté (Fig. 39).
3. Insérer un tournevis à tête plate dans les fentes pour ajuster les Vis de Nivellement (Fig. 39). Tourner les vis dans le sens horaire pour faire monter ce côté du réfrigérateur ou dans le sens anti-horaire pour le faire descendre. Plusieurs tours de Vis de Nivellement peuvent être nécessaires pour ajuster le niveau du réfrigérateur.

NOTE : Avoir quelqu'un qui pousse sur le dessus du réfrigérateur enlève de la pression des Vis de Mise à Nivellement. Cela rend l'ajustement des vis plus facile.

Fig. 39



4. Ouvrir les portes une nouvelle fois et s'assurer qu'elles ferment facilement. Sinon, niveler le réfrigérateur un peu plus vers l'arrière en tournant les Vis de Nivellement dans le sens horaire. Cela peut prendre quelque tour et vous devez tourner les vis également.
5. Replacer la grille de la base.

ALIGNEMENT DES PORTES

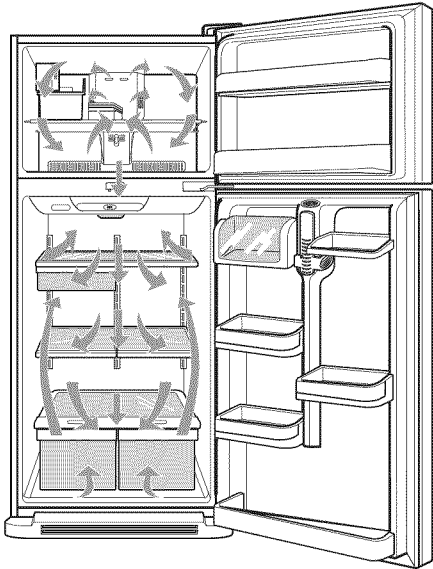
Si l'espace entre les portes est inégal, suivre les instructions suivantes pour aligner les portes :

1. Immiscer doucement le Protecteur à Charnière du Haut avec un tournevis à tête plate et enlever. Desserrer les Boulons de la Charnière du Haut avec une clé à molette de 10mm ou 1/4 de pouce ou avec une clé à tête-ouverte.
2. Ayez quelqu'un qui retient les portes pour que l'espace entre les portes soit égal. Et resserrer les Boulons de la Charnière du Haut.
3. Remplacer le Protecteur à Charnière du Haut.

UTILISATION DU RÉFRIGÉRATEUR

POUR S'ASSURER D'UNE CIRCULATION D'AIR APPROPRIÉE

Pour s'assurer d'avoir les températures appropriées, il faut que l'air puisse circuler entre les sections du réfrigérateur et du congélateur. Comme le montre l'illustration ci-dessous, l'air froid pénètre à la base de la section du congélateur et se déplace vers le haut. La plus grande partie de l'air circule à travers l'ouverture d'aération de la section du congélateur et re-circule sous l'étagère du réfrigérateur. Le reste de l'air pénètre la section du réfrigérateur par l'ouverture d'aération du dessus.

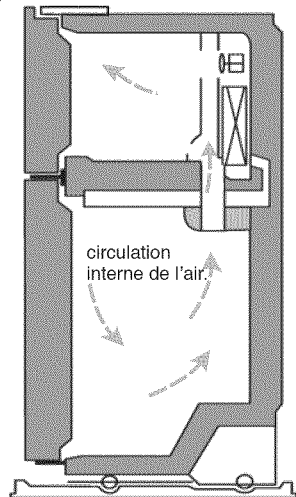


- **Ne jamais bloquer aucune de ces ouvertures d'aération** avec des paquets alimentaires. Si les ouvertures d'aération sont bloquées, la circulation de l'air peut être interrompue et des problèmes de température ou d'humidité peuvent survenir.

IMPORTANT :

Parce que l'air circule à travers les deux sections, une odeur qui se forme dans une est transférée dans l'autre. Vous devez nettoyer les deux sections pour éliminer les odeurs. Pour prévenir le transfert d'odeur et l'assèchement de la nourriture, emballer ou couvrir la nourriture étroitement. (Voir le Guide d'Entreposage de la Nourriture pour plus de détails.)

NOTE : Si vous fermez la porte du réfrigérateur avec force, la porte du congélateur peut ouvrir et se refermer dû à la pression de la circulation interne de l'air.



ENSUITE

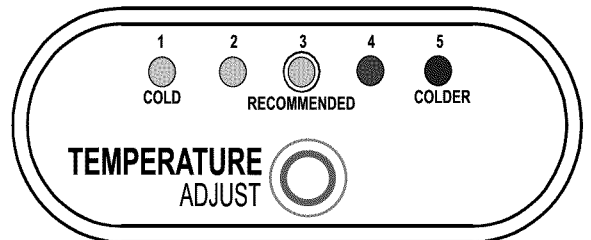
1. Nettoyer le réfrigérateur foncièrement et épousseter toute poussière accumulée pendant la livraison.
2. Installer les accessoires tel que le bac à glace, les tiroirs, les étagères, etc., dans leur emplacement convenu. Ils sont emballés ensembles pour prévenir d'éventuels bris pendant la livraison.
3. Laisser fonctionner le réfrigérateur pendant 2 ou 3 heures avant d'y mettre la nourriture. Vérifier la circulation de l'air froid dans le compartiment congélateur pour assurer un bon refroidissement. Votre réfrigérateur est maintenant prêt pour être utilisé.

PROGRAMMER LES CONTRÔLES

Votre réfrigérateur contient deux contrôles pour réguler la température, un dans le congélateur et un dans le réfrigérateur.

CONTRÔLES DU RÉFRIGÉRATEUR

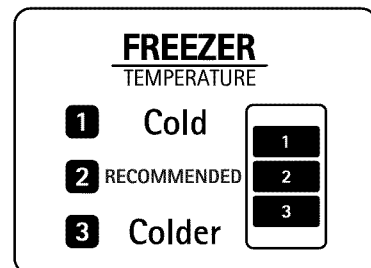
Régler initialement le Contrôle du Réfrigérateur sur le programmeur du milieu, numéro 3. Pour se faire, pousser le bouton d'ajustement de la température jusqu'à ce que la lumière du GUIDE numéro 3 s'allume. Laisser le réfrigérateur à cet arrangement pour 24 heures afin d'atteindre la température voulue. Après 24 heures, ajuster la température du compartiment comme désirée. Plus le nombre est haut, plus la température du compartiment réfrigérateur est froide. Toujours attendre 24 heures avant d'ajuster la température. Si vous dépassez le numéro désiré, continuer d'appuyer sur le bouton d'ajustement de la température jusqu'à ce que le numéro désiré s'allume.



CONTRÔLES DU CONGÉLATEUR

Le contrôle du congélateur doit venir de la fabrique placée sur le contrôle du milieu, numéro 2. Attendre 24 heures avant d'ajuster la température du congélateur vers le haut ou vers le bas. Tourner la tonalité jusqu'à ce que la température du congélateur.

TOUJOURS attendre 24 heures après tout ajustement pour que l'unité atteigne la température désirée.



AJUSTETER LES PARAMÈTRES DES COMMANDES

Donner du temps au réfrigérateur pour se refroidir complètement avant de faire les ajustements finaux. Il vaut mieux attendre 24 heures avant de faire ceci. Les paramètres recommandés dans la section RÉGLAGE DES COMMANDES doivent être exact pour un ménage normal. Les paramètres sont correctement réglés quand le lait ou le jus sont à la température désirée et quand la crème glacée est ferme.

Le contrôle du réfrigérateur fonctionne comme le thermostat de la totalité de l'appareil ménager (les sections du réfrigérateur et du congélateur). Plus le numéro du réglage est élevé, plus le compresseur fonctionnera longtemps pour garder la température plus froide. La commande du réfrigérateur la circulation de l'air froid du congélateur au réfrigérateur. Régler la commande du congélateur à une température moindre garde plus d'air froid dans le compartiment congélateur pour le rendre plus froid.

Si vous devez ajuster la température dans le congélateur ou dans le réfrigérateur, commencer par ajuster le réfrigérateur. Ensuite attendre 24 heures avant de vérifier la température du congélateur. Si la température est trop chaude ou trop froide, l'ajuster à ce moment.

Utiliser les réglages suggérés dans le tableau-ci bas comme guide. **Toujours attendre 24 heures entre les ajustements.**

CONDITION/ RAISON	AJUSTEMENTS RECOMMANDÉS
<p>■ La section du réfrigérateur est trop chaude</p> <ul style="list-style-type: none"> - La porte ouvre souvent - Quantité importante de nourriture ajoutée - Température de la pièce très chaude 	<p>Mettre la commande du réfrigérateur au plus grand nombre suivant, attendre 24 heures, et re-vérifier.</p>
<p>■ Température du congélateur trop chaude/La glace ne se fait pas assez rapidement</p> <ul style="list-style-type: none"> - La porte ouvre souvent - Quantité importante de nourriture ajoutée - Température de la pièce très froide (Le compresseur ne cycle pas assez suffisamment) - Utilisation de glace importante - La fente à air est bloquée par des items 	<p>Mettre la commande du congélateur au plus grand nombre suivant, attendre 24 heures, et re-vérifier.</p> <p>Dégager les items hors de la circulation d'air.</p>
<p>■ La section du réfrigérateur est trop froide</p> <ul style="list-style-type: none"> - Les réglages ne sont pas ajustés selon vos besoins 	<p>Mettre la commande du réfrigérateur au plus petit nombre suivant, attendre 24 heures, et re-vérifier.</p>
<p>■ La section du congélateur est trop froide</p> <ul style="list-style-type: none"> - Les réglages ne sont pas ajustés selon vos besoins 	<p>Mettre la commande du congélateur au plus petit nombre suivant, attendre 24 heures, et re-vérifier.</p>

GUIDE D'ENTREPOSAGE DE LA NOURRITURE

Emballer ou entreposer les aliments dans le réfrigérateur dans des matériaux hermétiques et anti-humidité à moins d'instructions contraires. Cela empêche le transfert d'odeurs ou de goûts de nourriture à travers le réfrigérateur. Pour des aliments datés, vérifier le code de la date pour assurer la fraîcheur.

ITEMS	COMMENT FAIRE
Beurre ou margarine	▶ Garder le beurre ouvert dans un plat couvert ou dans un compartiment fermé. Pour entreposer des provisions supplémentaires, emballer dans du matériel apte pour la congélation et congeler.
Fromages	▶ Entreposer dans l'emballage original jusqu'à la consommation. Une fois ouvert, remballer étroitement dans un emballage en plastique ou dans des feuilles d'aluminium.
Lait	▶ Essuyer le carton de lait. Pour un meilleur entreposage, mettre le lait sur l'étagère intérieure et non sur l'étagère de la porte.
Œufs	▶ Entreposer dans le carton original ou dans la Boîtes à Œufs (sur certains modèles) sur l'étagère intérieure et non sur l'étagère de la porte.
Fruits	▶ Nettoyer, laisser sécher, et entreposer dans le réfrigérateur dans des sacs en plastique ou dans le bac à légumes. Ne pas nettoyer ou décortiquer les baies avant le moment de consommation. Ranger et garder les baies dans leur contenant original dans un bac à légumes, ou entreposer dans un sac en papier vaguement fermé sur une étagère du réfrigérateur.
Légumes à feuilles	▶ Enlever l'emballage du magasin et tailler ou arracher les zones abîmées. Laver avec de l'eau froide et égoutter. Mettre dans un sac ou un contenant en plastique et placer dans un bac à légumes.
Légumes à peaux (carottes, poivrons)	▶ Mettre dans un sac ou un contenant en plastique et placer dans un bac à légumes.
Poisson	▶ Consommer les poissons et les crustacés le jour de leur achat.
Restes	▶ Couvrir les restes avec un emballage en plastique ou avec des feuilles d'aluminium. Des contenants aux couvercles serrés peuvent également être utilisés.

ENTREPOSER LES ALIMENTS CONGELÉS

NOTE: pour plus d'information sur la préparation de la nourriture pour la congélation ou sur les périodes de congélation de la nourriture, vérifiez le guide du congélateur ou un livre de recettes fiable.

EMBALLAGE

Une congélation efficace dépend d'un emballage correct. Fermer et sceller les paquets de façon que ni l'air ni l'humidité ne puisse s'échapper ou entrer. Si cela survenait, vous pourriez avoir un transfert d'odeur ou de goût à travers le congélateur et le réfrigérateur, et la nourriture dans les paquets au congélateur pourrait s'assécher.


Recommandations pour l'emballage

- Contenants rigides en plastiques aux couvercles serrés
- Boîtes de conserve ou jarres aux côtés droits
- Feuilles d'aluminium épaisses
- Emballages en plastique imperméables
- Sacs en plastique auto scellant faits pour le congélateur

Suivre les instructions sur l'emballage ou sur les contenants pour une méthode de congélation convenable.

Ne pas utiliser

- Des emballages à pain
- Des contenants en plastique non-polyéthylène
- Des contenants aux couvercles qui ne sont pas serrés
- Papier de cire ou emballage imbibé dans la cire
- Emballage mince et semi imperméable

 **ATTENTION:** Ne pas garder de cannettes ou de contenants en plastique dans le compartiment congélateur. Ils pourraient casser s'ils sont congelés.

CONGELLATION

Votre congélateur ne congèlera pas rapidement une quantité importante de nourriture. Ne pas bourrer le congélateur de plus de nourriture non-congelée qu'il sera capable de congeler (pas plus de 2 ou 3 livres de nourriture par pied cubique d'espace dans le congélateur). Garder suffisamment d'espace dans le congélateur pour que l'air circule correctement autour des paquets. Prendre soin de garder suffisamment d'espace à l'avant pour que la porte puisse fermer correctement.

Le temps d'entreposage varie selon le type et la qualité de la nourriture, du type de l'emballage utilisé (hermétique et contre l'humidité) et de la température d'entreposage. Voir des cristaux de glace à l'intérieur d'un paquet scellé est normal. Cela veut simplement dire que l'humidité et l'air à l'intérieur du paquet a condensé, créant des cristaux de glace.

NOTE : Permettre à la nourriture chaude de refroidir à la température de la pièce pendant 30 minutes, ensuite emballer et congeler. Refroidir la nourriture chaude avant la congélation sauve de l'énergie.

ÉTAGÈRES DU RÉFRIGÉRATEUR

Les étagères dans votre réfrigérateur sont ajustables pour satisfaire vos besoins. Toutes les étagères dans cette unité sont en verre.

Entreposer des items similaires de nourriture dans votre réfrigérateur et ajuster les étagères pour qu'elles s'ajustent à différentes hauteurs d'items rendra votre recherche d'item plus facile; cela réduira également le temps où la porte du réfrigérateur restera ouverte, sauvegardant de l'énergie.

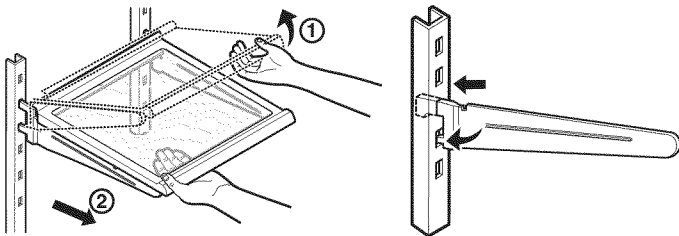
IMPORTANT : Ne pas laver les étagères avec de l'eau chaude lorsqu'elles sont froides. Les étagères peuvent casser si elles sont exposées à de soudain changements de température ou des impacts, telles les collisions. Pour votre protection, les étagères de verre sont faites de verre trempé, qui explosera en de petits morceaux de galets.

NOTE : Les étagères de verre sont lourdes. Porter une attention particulière lorsqu'elles sont déplacées pour ne pas les échapper.

Étagères Ajustables

Enlever les étagères de leur position d'expédition et remplacer les étagères dans la position voulue.

- **Pour enlever une étagère** - Incliner le devant de l'étagère vers le haut et la retirer.
- **Pour remplacer une étagère** - Incliner le devant de l'étagère vers le haut et placer les crochets de l'étagère dans les fentes métalliques à la position désirée. Ensuite baisser le devant de l'étagère pour sécuriser les crochets dans les fentes.

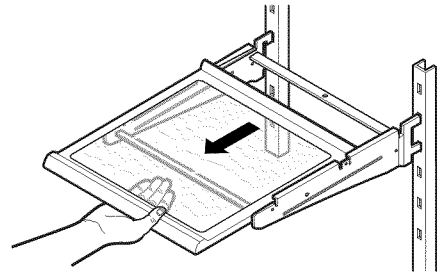


NOTE : S'assurer que les étagères sont nivelées d'un côté à l'autre. Ne pas suivre ces instructions peut entraîner l'étagère à tomber ou à renverser de la nourriture.

Étagères coulissantes (sur certains modèles)

Vous pouvez faire glisser les étagères de verre comme suit :

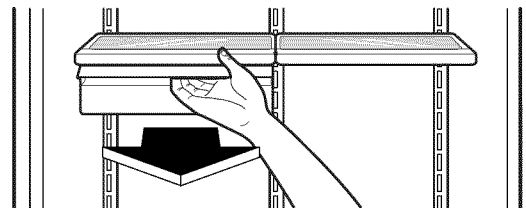
- **Pour faire coulisser l'étagère en dehors :**
Tirer doucement l'étagère vers vous.
- **Pour faire coulisser l'étagère en dedans :**
Pousser jusqu'à l'arrêt.



TIROIRS À COLLATIONS (sur certains modèles)

Pour enlever le tiroir à collation : Tenir le tiroir par la poignée, tirer vers l'avant jusqu'à l'arrêt du tiroir, lever et retirer.

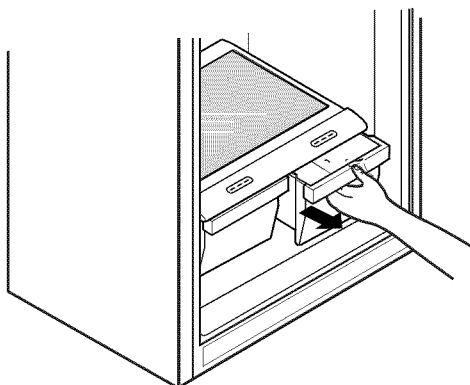
Pour remplacer le tiroir à collations, faire coulisser l'étagère vers l'arrière passé l'arrêt.



BAC À LÉGUMES & COUVERCLE

Pour enlever le bac à légume :

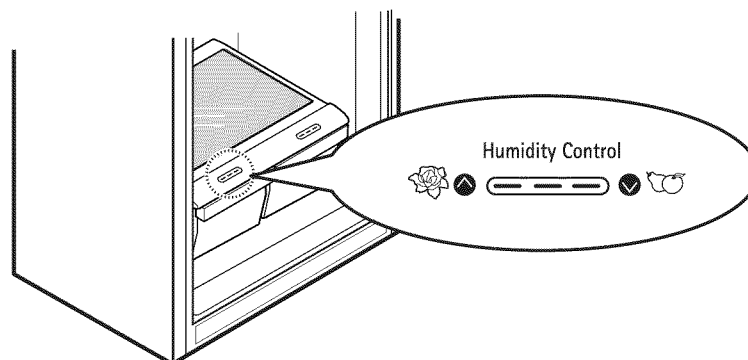
1. Tirer le bac à légumes jusqu'à l'arrêt.
2. Soulever le tiroir vers le haut et vers vous pour retirer et enlever.
3. Pour remplacer le bac à légumes, faire glisser vers l'arrière même une fois passé l'arrêt.



CONTRÔLE DE L'HUMIDITÉ DANS LE BAC À LÉGUME

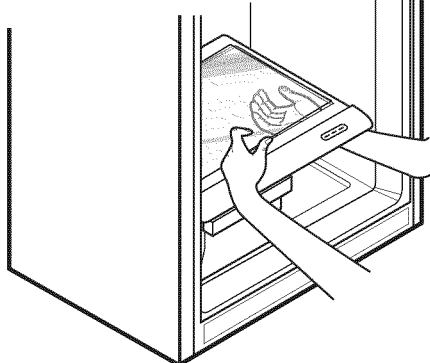
Vous pouvez contrôler la quantité d'humidité dans les bacs à légume scellés. Ajuster les commandes pour n'importe quel paramètre de 🌿 à 🌸

- 🌿 laisse l'air humide s'échapper du bac à légume pour une meilleure conservation des fruits.
- 🌸 garde l'air humide dans le bac à légume pour une meilleure conservation de fraîcheur, des légumes à feuilles.



Pour enlever la vitre du bac à légume :

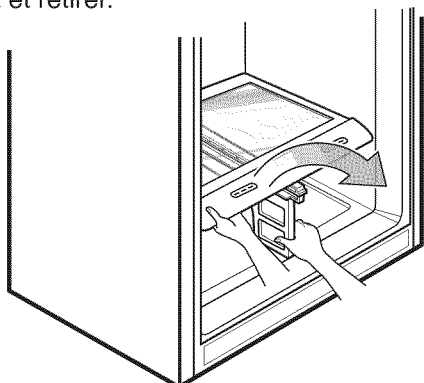
1. Enlever les tiroirs du bac à légume.
2. Pour enlever la vitre au-dessus du bac à légume, insérer la main en dessous de la vitre et pousser vers le haut.
3. Pousser la vitre vers le haut et enlever.



Pour contrôler l'humidité dans les compartiments du bac à légume, bougez les poignées au-dessus de chaque tiroir à bac à légume en avant ou en arrière.

Pour enlever le protecteur du bac à légume :

1. Retirer les deux tiroirs du bac à légume.
2. En maintenant le support du protecteur du bac à légume en place, pousser le protecteur vers le haut et retirer.



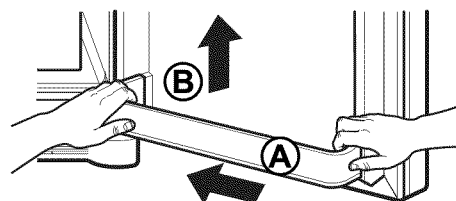
ÉTAGÈRES DE PORTE ATTACHÉES PAR CLAQUEMENT

Les étagères des portes peuvent être enlevées pour un nettoyage plus facile. Les étagères des portes se trouvent et dans le réfrigérateur et dans le congélateur. Les étagères des portes insérées par usage de la force avec des onglets et des fentes.

Étagères de porte installées par claquement

Pour enlever les étagères de porte :

1. Enlever tous les items des étagères de porte.
2. Pousser les côtés des étagères ensemble en tirant vers le haut. L'étagère se soulèvera.



Pour remplacer les étagères :

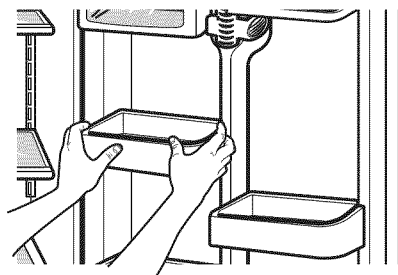
1. Tenir les extrémités des étagères de porte avec les deux mains légèrement inclinées vers le bas et doucement pousser ensemble en insérant les onglets des étagères dans les fentes de porte. Insérer en place en utilisant la force.

UTILISER VOTRE RÉFRIGÉRATEUR

BACS DES PORTES

Les bacs des portes peuvent être enlevés pour un nettoyage et un ajustement faciles. Ils ont des fentes sur les côtés qui entrent dans les supports à fente placés par intervalles sur la porte du réfrigérateur.

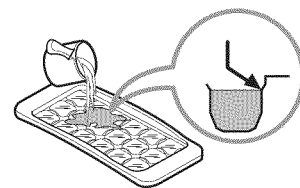
1. Pour enlever un bac, soulever le bac vers le haut passé le support à fente et retirer.
2. Pour remplacer un bac, pousser dans la porte et vers le bas sur une série de fentes à support au niveau désiré.



PLATEAU À GLACE (sur certains modèles)

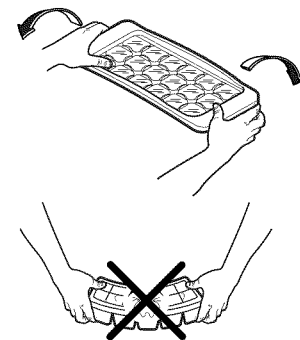
Faire des glaçons

- Verser de l'eau au niveau indiqué sur l'illustration. Ne pas faire déborder l'eau car les glaçons seront difficiles à retirer.
- Pour une congélation rapide, ajuster le cadran du congélateur à 3.



Pour enlever les glaçons, tordre le plateau.

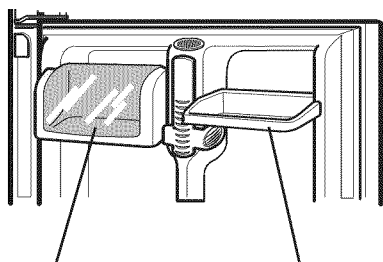
- Ne pas plier le plateau à glace. Le faire pourrait endommager le plateau.
- Pour enlever les glaçons facilement, faire couler de l'eau sur le dessous du plateau ou le tremper dans l'eau avant de retirer les glaçons.



BAC À PRODUITS LAITIERS, ÉTAGÈRE À CANETTES (sur certains modèles)

Le bac à produits laitiers/étagère à canettes peut être re-localisé dans une autre position.

1. **Pour enlever le bac/étagère à canettes**
Simplement tirer vers le haut et retirer.
2. **Pour remplacer le bac**, Glisser à l'intérieur au-dessus des fentes du support désiré et pousser vers le bas jusqu'à l'arrêt.



Bac à produits laitiers

Casier à canettes

⚠ ATTENTION



Risque d'explosion

Utiliser des nettoyants ininflammables
Ne pas suivre ces instructions peut résulter en décès, en explosion, en feu.

Les sections du réfrigérateur et du congélateur se décongèlent automatiquement. Cependant, nettoyer les deux sections en moyenne une fois par mois pour prévenir les odeurs. Essuyer les renversements immédiatement.

SUGGESTIONS GÉNÉRALES DE NETTOYAGE

- Débrancher le réfrigérateur ou couper le courant.
- Enlever toutes les parties amovibles telles les étagères, les bacs, etc.
- Pour nettoyer les étagères, bacs et autres parties amovibles, utiliser une éponge propre ou un tissu souple et un détergent doux avec de l'eau tiède. Ne pas utiliser de nettoyant abrasif ou trop fort.
- Laver à la main, rincer et sécher toutes les surfaces foncièrement.
- Une fois le nettoyage terminé, ne pas oublier de rebrancher ou de remettre le courant.

L'EXTÉRIEUR

Cirer les surfaces de métal peinturées externes aide à fournir une protection contre la rouille. Ne pas cirer les parties de plastique. Cirer les surfaces de métal peintes au moins deux fois par année en utilisant une cire à appareil ménager (ou de la cire auto applicable). Appliquer la cire avec un tissu doux et propre.

Ne pas utiliser de cire sur des extérieurs faits d'acier inoxydable. Utiliser un produit spécialement fait pour nettoyer les appareils ménagers en acier inoxydable, ou nettoyer à l'aide d'un tissu doux ou avec une éponge propre combiné à un détergent doux dissous dans l'eau chaude. Sécher foncièrement avec un tissu doux.

NOTE : Éviter le contact au sol avec des produits qui contiennent de la Phosphate ou de la Chlorine.

MÛRS INTÉRIEURS (permettre au congélateur de se réchauffer pour que le tissu ne colle pas)

Pour aider à supprimer les odeurs, vous pouvez nettoyer l'intérieur du réfrigérateur et du congélateur avec un mélange d'eau chaude et de bicarbonate de soude. Mélanger 2 cuillères à table de bicarbonate de soude à un litre d'eau (26 g de soda par litre d'eau). S'assurer que le bicarbonate de soude se dissolvent entièrement pour qu'il ne graigne pas la surface du réfrigérateur.

ALIGNER-PORTES ET JOINTS D'ÉTANCHÉITÉ

Ne pas utiliser de cire nettoyante, de détergents concentrés, de javellisant ou de nettoyants comportant des produits pétroliers sur les surfaces de plastique. Utiliser une éponge propre ou un tissu doux avec un détergent doux mélangé à de l'eau chaude. Nettoyer, rincer et sécher toutes les surfaces foncièrement.

PARTIES DE PLASTIQUE (couvertres et panneaux)

Ne pas utiliser de serviette en papier, de nettoyant à fenêtre, de nettoyant abrasif ou de liquide ininflammable. Ceux-ci peuvent graigner ou endommager le matériel. Utiliser une éponge propre ou un tissu doux avec un détergent doux mélangé à de l'eau chaude. Nettoyer, rincer et sécher toutes les surfaces foncièrement.

PROTECTEUR ARRIÈRE

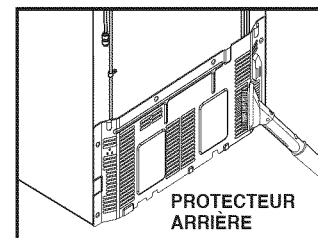
⚠ ATTENTION

Risque de Chocs Électriques

Avant de commencer, débrancher le réfrigérateur ou couper le courant au disjoncteur ou à la boîte à fusibles. Ne pas suivre ces instructions pourrait mener à un décès ou à de sérieuses blessures.

NOTE : Le protecteur arrière ne devrait être retiré que par un technicien qualifié.

Nettoyer les ventilateurs sur le protecteur arrière. Utiliser un aspirateur avec le bout en brosse, au moins deux fois par année pour que votre réfrigérateur continue de fonctionner correctement.



REMPACEMENT DE L'AMPOULE ÉLECTRIQUE

⚠ ATTENTION

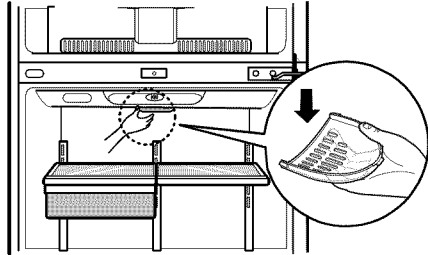
RISQUES DE CHOCS ÉLECTRIQUES

Avant de remplacer une ampoule électrique brûlée, débrancher le réfrigérateur ou couper le courant à partir de la boîte à fusibles.

NOTE : Toutes les ampoules électriques d'appareil ménager ne sont pas conçues pour votre réfrigérateur. S'assurer de remplacer l'ampoule par une autre de même grandeur, forme et puissance en watts.

Pour changer la lumière du réfrigérateur :

1. Débrancher le cordon électrique de la sortie électrique.
2. Enlever les étagères du réfrigérateur.
3. Le bouclier de la lumière est inséré avec force et a des onglets de plastique sur chaque côté et un onglet sur le devant. Relâcher les onglets de chaque côté du bouclier de la lumière et pousser le bouclier vers le fond du réfrigérateur et retirer.
4. Retourner l'ampoule dans le sens anti-horaire et enlever.
5. Remplacer l'ampoule brûlée par une ampoule par une nouvelle ampoule 40 watts, en la tournant dans le sens horaire.
6. Pour remplacer le bouclier à lumière, positionner l'onglet avant dans la fente et insérer de force les onglets de côtés dans les fentes.
7. Remplacer les étagères du réfrigérateur.
8. Brancher le cordon électrique dans la sortie électrique.



PANNE DE COURANT

1. Si une panne de courant persiste pendant moins de 24 heures, garder toutes les portes du réfrigérateur fermées pour aider les aliments à rester froids et congelés.
2. Si une panne de courant persiste pendant plus de 24 heures;
 - a) Enlever toute nourriture congelée et l'entreposer dans un casier à aliments congelés.

OU

- b) Placer 2 livres (1 kg) de glace sèche dans le congélateur pour chaque pied cubique (28 litres) d'espace dans le réfrigérateur. Cela gardera la nourriture congelée de deux à quatre jours. En maniant la glace sèche, utiliser des gants pour éviter les brûlures.

⚠ ATTENTION

Risques de suffocation

Quand de la glace sèche est utilisée, fournir une ventilation adéquate. La glace sèche est en fait du dioxyde de carbone gelé (CO₂). Quand il s'évapore, il peut déplacer l'oxygène, causant l'étourdissement, le vertige, l'inconscience et la mort par suffocation. Ouvrir une fenêtre et ne pas respirer les vapeurs.

OU

- c) Dans le cas où vous ne pouvez trouver ni de casier congelant, ni de glace sèche, consommez ou jetez la nourriture immédiatement.

SOUVENEZ-VOUS : Dans une panne de courant, un congélateur rempli reste froid plus longtemps qu'un partiellement rempli. Un congélateur rempli de viande reste froid plus longtemps qu'un rempli de plats cuits. Si vous voyez que la nourriture contient des cristaux, elle peut sécuritairement être re-congelée, même si la qualité et le goût peuvent être affectés. Si l'état de la nourriture est pauvre, ou si vous pensez qu'elle n'est pas sécuritaire, jetez-la.

⚠ ATTENTION

• **NE PAS** recongeler des aliments qui ont déjà complètement décongelé. Le Bulletin numéro 69 du Département de l'Agriculture dans les Maisons et les Jardins des États-Unis stipule :
 « ...Vous pouvez avec toute sécurité recongeler de la nourriture qui aurait décongelée si elle contient des cristaux de glace ou sa température se situe au dessous de 40°F (4°C). »
 « ... De la viande hachée décongelée, de la volaille ou du poisson qui auraient une odeur et/ou une couleur distinctes ne devraient pas être recongelés ou mangés. De la crème glacée fondue devrait être jetée. Toute nourriture à l'odeur et à la couleur particulière ou questionnable devrait être écartée. Elle pourrait être dangereuse à manger. »
 « Même la décongélation et la re-congélation partielle réduit la qualité nutritive de la nourriture, particulièrement les fruits, les légumes et les aliments préparés. La qualité nutritive de la viande rouge est moins affectée que d'autres aliments. Utiliser les aliments re-congelés le plus rapidement possible pour conserver le maximum de qualité nutritive. »

QUAND VOUS PARTEZ EN VACANCES

Si vous décidez de laisser à hors tension votre réfrigérateur pendant que vous êtes partis, suivez ces instructions afin de préparer votre réfrigérateur avant votre départ.

1. Consommer tous les aliments périssables et les autres items du congélateur.
2. Vider le bac à glace.
3. Mettre à hors tension le fabrique glace. **NOTE :** Si la température ambiante tombe sous le point de congélation, ayez un technicien certifié de service qui draine le système d'approvisionnement en eau (sur certain modèle) pour prévenir des dommages de propriété dus à une inondation possible à cause d'une rupture des lignes d'eau ou connexions.

Si vous décidez de laisser hors tension votre réfrigérateur pendant que vous êtes partis, suivez ces instructions.

1. Enlever toute la nourriture du réfrigérateur et vider le bac à glace.
2. Débrancher le réfrigérateur.
3. Nettoyer le réfrigérateur, essuyer et bien sécher.
4. Coller des blocs de caoutchoucs ou de bois sur le dessous des deux portes pour les maintenir grandes ouvertes afin que l'air puisse entrer. Cela empêche les odeurs et la moisissure de se former.

QUAND VOUS DÉMÉNAGEZ

Quand vous déménagez votre réfrigérateur dans une nouvelle maison, suivez ces instructions pour préparer votre réfrigérateur au déménagement.

1. Enlever toute nourriture du réfrigérateur et envelopper toute la nourriture congelée dans la glace.
2. Débrancher le réfrigérateur.
3. Nettoyer le réfrigérateur, essuyer et bien sécher.
4. Vider l'eau de la cuvette de décongélation.
5. Nettoyer, essuyer et sécher foncièrement.
6. Retirer toutes les parties amovibles, bien les envelopper et les attacher ensemble pour qu'elles ne se déplacent pas ou pour qu'elles ne s'entrechoquent pas pendant le déménagement. Référez-vous aux sections d'Utilisation de son Réfrigérateur pour les instructions de déménagement.
7. Dépendamment du modèle, soulever le devant du réfrigérateur afin qu'il **roule plus facilement OU visser les jambes de nivellement complètement pour qu'elles ne graignent pas le sol. Voir la SECTION SUR LE NIVELLEMENT ET LA FERMETURE DES PORTES.**
8. Attacher les portes fermées et attacher le cordon électrique au cabinet du réfrigérateur.

Une fois arrivé dans votre nouvelle maison, afin de tout remettre en place se référer à la section **INSTALLATION DU RÉFRIGÉRATEUR** pour les instructions d'installation.

À PROPOS DE LA MACHINE À GLAÇONS AUTOMATIQUE

⚠ ATTENTION

Risque de blessure

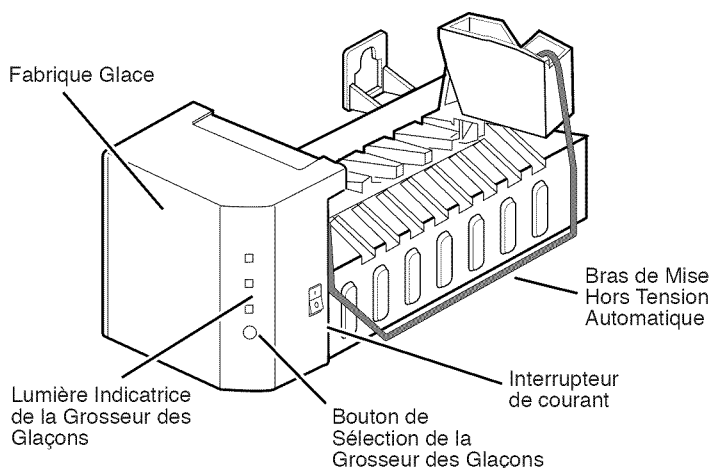
Éviter les contacts avec les pièces mobiles du mécanisme d'éjection, ou avec l'élément chauffant qui relâche les glaçons. NE PAS placer les doigts ou les mains sur le fabrique glace automatique quand le réfrigérateur est branché.

Le fabrique glace commencera à fonctionner lorsque s'abaissera la température sous le point de congélation.

NOTE : Le dispositif du Fabrique Glace Automatique n'est inclus que sur certains modèles. D'autres modèles sont des Fabriques Glace prompt. SVP regardez vos les spécifications de votre produit.

INSTRUCTIONS D'OPÉRATION

Un réfrigérateur récemment installé peut prendre de 12 à 24 heures avant de faire de la glace.



Le fabrique glace produit huit cubes par cycle – approximativement 100 à 200 cubes dans une période de 24 heures, dépendamment de la température dans le compartiment congélateur, de la température de la pièce, du nombre de portes ouvertes et autres conditions d'opération.

Si le réfrigérateur est utilisé avant la connexion de l'apport en eau au fabrique glace, régler l'interrupteur de courant du fabrique glace à 0 (hors tension).

Une fois le fabrique glace connecté à l'apport en eau, régler l'interrupteur de courant à I (tension).

Le fabrique commencera à fonctionner lorsqu'il s'abaissera sous le point de congélation. Un réfrigérateur nouvellement installé peut prendre de 12 à 24 heures avant de faire de la glace.

Jeter les premières séries de glaçons pour permettre à la ligne d'eau de se clarifier.

S'assurer que rien n'obstrue le balayage du Bras de Mise en Hors Tension Automatique.

Quand le bac se remplira au niveau du Bras de Mise en Hors Tension Automatique, le fabrique glace arrêtera de produire de la glace de lui-même.

Il est normal que certains cubes soient collés ensemble.

Si la glace n'est pas utilisée fréquemment, les glaçons deviendront troubles, leur goût schiste et ils rapetisseront.

NOTE : Si la taille des cubes de glace est plus petite ou plus grande que prévue, vous pouvez régler la taille avec le Bouton de sélection de grosseur des glaçons.

À chaque fois que vous appuyez sur le bouton de sélection de taille des glaçons, l'indicateur bouge une lumière vers le haut. Plus la position de la lumière est haute, plus les cubes seront gros. Appuyer sur la position la plus haute retourne l'indicateur à la position la plus basse.

QUAND DEVRIEZ-VOUS METTRE LE FABRIQUE GLACE À 0 (HORS TENSION)

- Quand l'apport en eau sera coupé pour plusieurs heures.
- Quand le bac de stockage à glace est enlevé pour plus d'une minute ou deux.
- Quand le réfrigérateur ne sera pas utilisé pour plusieurs jours.

SONS NORMAUX QUE VOUS POURRIEZ ENTENDRE

- La valve d'eau du fabrique glace bourdonnera quand le fabrique glace se remplira d'eau. Si l'interrupteur du courant est positionné à I (tension), il bourdonnera même s'il n'as pas encore été connecté à l'eau. Pour arrêter le bourdonnement, mettre l'interrupteur à la position 0 (hors tension).

NOTE : Garder l'interrupteur de courant à la position I (tension) avant la connexion à l'eau peut endommager le fabrique glace.

- Vous entendrez les cubes tomber dans le bac et l'eau couler dans les tuyaux lorsque que le fabrique glace se remplit.

BRANCHEMENT DE LA LIGNE À EAU

AVANT DE COMMENCER

Cette installation de la ligne à eau n'est pas garantie par le fabricant de ce réfrigérateur ou congélateur. Suivre ces instructions avec attention pour minimiser les risques de dommages d'eau coûteux.

Le marteau d'eau (l'eau qui frappe dans les tuyaux) dans la plomberie de la maison peut causer des dommages à certaines parties du réfrigérateur et mener à des fuites d'eau ou inondations. Appeler un plombier certifié pour corriger le marteau d'eau avant d'installer la ligne d'approvisionnement en eau au réfrigérateur.

Pour prévenir des brûlures et des dommages au produit, ne pas brancher la ligne d'eau à la source d'eau chaude.

Si vous utilisez le réfrigérateur avant de le brancher à la ligne d'eau, s'assurer que l'interrupteur de courant du fabricant de glace est à la position 0 (hors tension).

Ne pas installer les tuyaux du fabricant de glace dans des zones où la température peut tomber sous zéro.

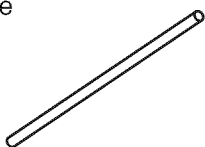
Quand vous utilisez n'importe quel appareil électrique (comme une perceuse électrique) pendant l'installation, s'assurer que l'engin est doublement isolé ou mis à terre d'une manière à prévenir les risques de choc électrique, ou bien est électrifié par batterie.

Toute installation doit être en accord avec les exigences du code local de plomberie.

NOTE : Porter des lunettes de protection.

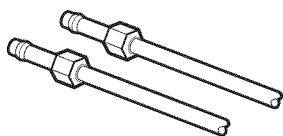
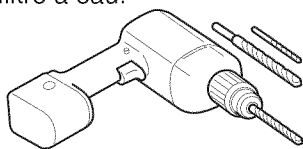
CE DONT VOUS AUREZ BESOIN

- **Des Tubes de Cuivre** de 1/4 de pouce de diamètre extérieur pour connecter le réfrigérateur à la source d'eau. S'assurer que les deux extrémités de la tuyauterie soit de forme carrée.

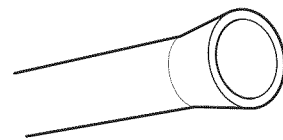


Pour déterminer la quantité de tuyau nécessaire : Mesurer la distance de la valve d'eau sur le derrière du réfrigérateur au tuyau de l'apport d'eau. Ensuite ajouter 8 pieds (2.4 mètres). S'assurer qu'il y a suffisamment de tuyauterie en extra (environ 8 pieds [2.4 mètres] enroulés dans trois tours d'environ 10 pouces [25cm] de pouce) pour permettre au réfrigérateur de s'éloigner du mur après l'installation.

- **Un approvisionnement en eau froide.** La pression de l'eau doit être entre 20 et 120 p.s.i. sur les modèles sans filtre à eau et entre 40 et 120 p.s.i. sur les modèles avec filtre à eau.
- **Perceuse électrique**
- **Clé ajustable ou de 1/4 de pouce.**
- **Tournevis à tête plate et Philips.**
- **Deux écrous de compression de 1/4 de pouce de diamètre extérieur et deux viroles (biroute)** pour connecter le tuyautage en plomb à la valve de mise hors tension et la valve d'eau du réfrigérateur.

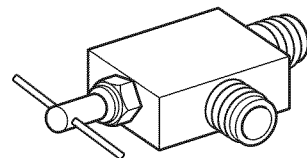


- Si votre ligne d'eau en plomb existante a un emboîtement évasé au bout, vous aurez besoin d'un **adaptateur** (disponible dans les magasins de plomberie) pour connecter la ligne d'eau au réfrigérateur



OU vous pouvez couper l'emboîtement évasé avec un coupe tube et ensuite un emboîtement à compression.

- **Mettre la valve à hors tension pour connecter à la ligne d'eau froide.** La valve de mise hors tension devrait avoir une arrivée d'eau avec un diamètre intérieur minimum de 5/32 de pouce au point de connexion de la LIGNE D'EAU FROIDE. Les valves de mise à hors tension de type scellé sont incluses dans plusieurs ensembles d'approvisionnements en eau. Avant l'achat, s'assurer que la valve de type scellé respecte les normes de plomberie locale.



NOTE : Les Valves d'Eau Scellée SOI-MÊME ne devraient pas être utilisées.

INSTRUCCIONES DE INSTALACIÓN

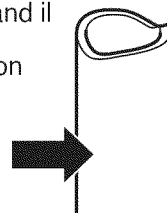
Installer la valve de mise à hors tension sur la plus proche des ligne d'eau courante et sur la plus fréquemment utilisée.

1. ÉTEINDRE LA SOURCE D'EAU PRINCIPALE

Actionner le robinet le plus proche pour enlever la pression du robinet.

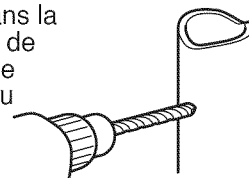
2. CHOISIR LA LOCATION DE LA VALVE

Choisir une location pour la valve qui est facilement accessible. Il est préférable de connecter sur les côtés d'un tuyau d'eau vertical. Quand il est nécessaire de connecter sur un tuyau d'eau horizontal, faire la connexion sur le haut ou le côté, plutôt que sur le bas, pour éviter le prélèvement de tout sédiment du tuyau d'eau.



3. PERCER LES TROUS POUR LA VALVE

Percer un trou de 1/4 de pouce dans le tuyau d'eau avec un bout coupant. Enlever tout picot résultant du perçage des trous du tuyau. Prendre soin de ne pas permettre à l'eau d'entrer dans la perceuse. Ne pas percer un trou de 1/4 de pouce peut résulter en une production de glace plus faible ou en cubes plus petits.



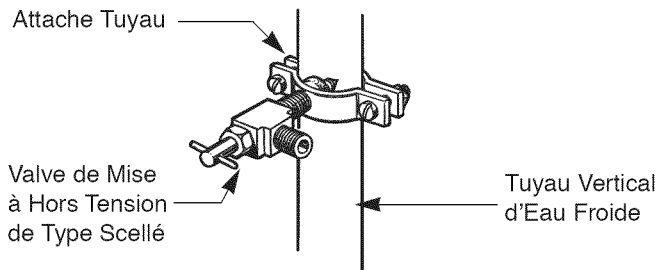
NOTE : La ligne de rattachement ne peut être un tuyautage de plastique blanc. Les plombiers qualifiés Polyéthylène (PEX).

CONNECTER LA LIGNE D'EAU

INSTRUCTIONS D'INSTALLATION (SUITE)

4. FIXER LA VALVE DE MISE À HORS TENSION

Fixer la valve de mise à hors tension au tuyau d'eau froide avec l'attache tuyau.

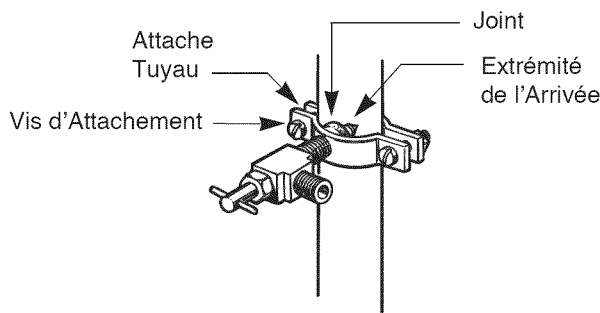


NOTE : Le Commonwealth des Normes de Plomberie du Massachusetts 248CMR devrait être écouté. Les valves scellées sont illégales et leur utilisation n'est pas permise au Massachusetts. Consulter votre plombier certifié.

5. RESÉRER L'ATTACHE TUYAU

Serrer les vis de l'attache jusqu'à ce que les joints de scellement commencent à enfler.

NOTE : Ne pas trop serrer car vous pourriez écraser le tuyautage.



6. DIRIGER LE TUYAUTAGE

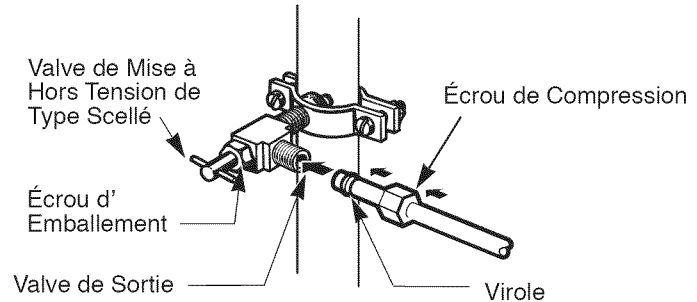
Diriger le tuyautage entre la ligne d'eau froide et le réfrigérateur.

Diriger le tuyautage à travers un trou percé dans le mur ou dans le plancher (derrière le réfrigérateur ou le cabinet de base adjacent) aussi près du mur que possible.

NOTE : S'assurer qu'il y a suffisamment de tuyautage en extra (environ 8 pieds [2.4 mètres] enroulés dans trous tours d'environ 10 pouces [25cm] de pouce) pour permettre au réfrigérateur de s'éloigner du mur après l'installation.

7. CONNECTER LE TUYAUTAGE À LA VALVE

Placer les écrous et les viroles de compression pour le tuyautage en plomb sur l'extrémité du et le connecter à la valve de mise à hors tension. S'assurer que le tuyautage est complètement inséré dans la valve. Sérer l'écrou de compression sécuritairement.

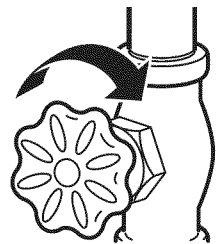


NOTE : Le Commonwealth des Normes de Plomberie du Massachusetts 248CMR devrait être écouté. Les valves scellées sont illégales et leur utilisation n'est pas permise au Massachusetts.

8. PURGER LE TUYAUTAGE

Actionner la source d'eau principale et purger le tuyautage jusqu'à ce que l'eau soit claire.

Couper l'eau à la valve d'eau après approximativement qu'un litre d'eau se soit échappé du tuyautage.



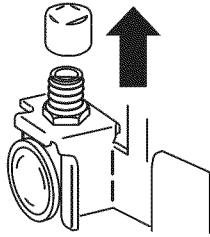
CONNECTER LA LIGNE D'EAU

9. CONNECTER LE TUYAUTAGE AU RÉFRIGÉRATEUR

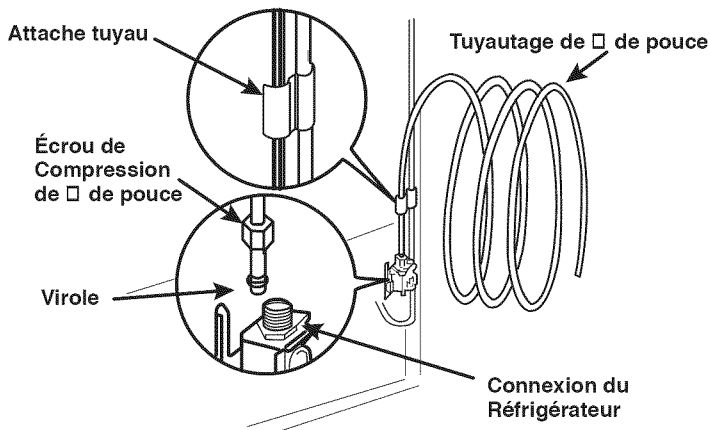
NOTE :

- Avant de faire la connexion au réfrigérateur, s'assurer que le cordon électrique du réfrigérateur ne soit pas branché dans la sortie électrique du mur.
- Si votre réfrigérateur n'a pas de filtre à eau, nous recommandons d'en installer un si votre apport en eau contient du sable ou des particules qui pourraient boucher l'écran et la valve d'eau du réfrigérateur. Installer le filtre dans la ligne d'eau près du réfrigérateur.

1. Enlever le chapeau de plastique flexible de la valve d'eau.
2. Placer l'écrou et la virole de compression sur l'extrémité du tuyau comme montré.
3. Insérer l'extrémité du tuyautage de plomb dans la connexion aussi loin que possible. En tenant le tuyau, serrer l'agencement.



⚠ ATTENTION: Regarder si des fuites surviennent lors de la connexion de ligne à eau.

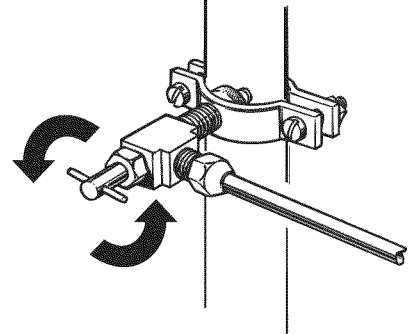


⚠ ATTENTION: Regarder si un égouttement survient à la connexion de ligne à eau.

10. ACTIONNER L'EAU À LA VALVE DE MISE À HORS TENSION

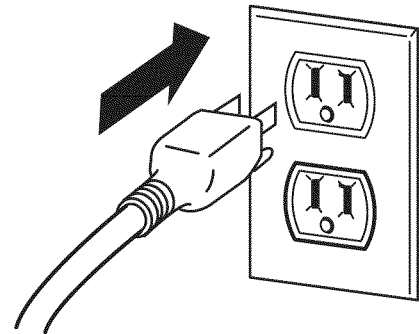
Sérer toute connexion qui coule.

Rattacher le protège accès du compartiment compresseur.



11. BRANCHER LE RÉFRIGÉRATEUR

Arranger la bobine du tuyautage de façon à ce qu'elle ne vibre pas contre le derrière du réfrigérateur ou contre le mur.



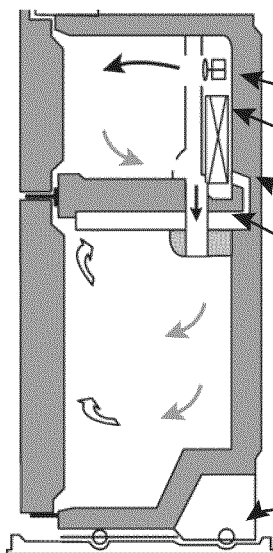
12. ACTIONNER LE FABRIQUE GLACE

Fixer l'interrupteur du courant du fabrique glace à la position TENSION. Le fabrique glace ne se mettra à fonctionner que quand il atteindra sa température d'opération de 15°F (-9°C) ou en dessous. Il commencera ensuite à opérer automatiquement si l'interrupteur de courant est à la position I (ON).

DÉPANNAGE

COMPRENDRE LES SONS QUE VOUS POURRIEZ ENTENDRE

Votre nouveau réfrigérateur peut faire de nouveaux sons que votre ancien réfrigérateur ne faisait pas. Parce que ces sons sont nouveaux pour vous, vous pourriez être concernés par ceux-ci. La plupart des sons nouveaux sont normaux. Les surfaces dures, comme le plancher, les murs et les cabinets, peuvent faire en sorte que les sons semblent plus forts qu'ils ne le sont vraiment. La suivante explique les sortes de son et ce qui peut bien les créer.



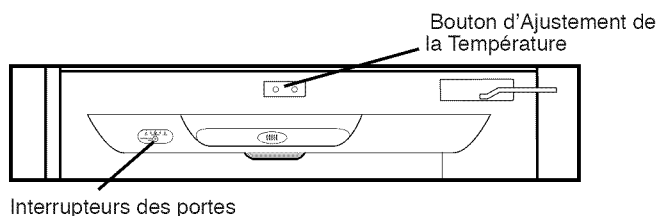
- La minuterie de dégivrage cliquera quand le cycle de dégivrage automatique s'enclenchera et se terminera. Le contrôle du thermostat (ou la commande du réfrigérateur dépendamment des modèles) cliquera aussi lorsque le cycle s'enclenchera ou se terminera également.
- Les bruits de crépitements peuvent venir de l'écoulement de réfrigérant, de la ligne d'eau ou des autres items entreposés sur le dessus du réfrigérateur.
- Votre réfrigérateur est conçu pour fonctionner efficacement afin de garder vos aliments à la température désirée. Le compresseur à grande efficacité peut faire en sorte que votre nouveau réfrigérateur soit exploité plus longtemps que votre ancien réfrigérateur, en plus il consommera moins d'énergie à fonctionner. Vous pourriez entendre un pouls ou un son aigu.
- Vous pourriez entendre le moteur du ventilateur d'évaporation qui circule l'air à travers les compartiments du réfrigérateur et du congélateur.
- À chaque fois qu'un cycle se termine, vous pourriez entendre un gargouillis dû à la circulation de réfrigérant dans votre réfrigérateur.
- Les contractions et les expansions des murs intérieurs peuvent créer des bruits d'éclat.
- L'eau qui s'égoutte sur le dégivreur chauffant pendant un cycle de dégivrage peut causer un grésillement.
- Vous pourriez entendre l'air forcé au-dessus du condensateur d'air par le ventilateur du condensateur.
- Vous pourriez entendre l'eau couler dans la cuvette de drainage pendant le cycle de dégivrage.

LE RÉFRIGÉRATEUR NE FONCTIONNE PAS

Vérifier si...

Ensuite...

Le cordon d'alimentation est débranché.	Brancher fermement le cordon dans une sortie électrique au voltage adéquat.
Un fusible de la maison a sauté ou un disjoncteur ne fonctionne pas.	Remplacer le fusible ou restaurer le disjoncteur.
Les lumières du panneau de contrôle s'allument séquentiellement (1-2-3-4-5) :	<p>La commande du réfrigérateur a été fixée dans le Mode Démo (Démonstration). Pour quitter le Mode Démo :</p> <ol style="list-style-type: none"> 1. Ouvrir les portes du réfrigérateur et du congélateur. 2. Pousser sur les deux interrupteurs des portes et au même moment appuyer et tenir sur le bouton d'Ajustement de la Température pour 5 secondes.
Le réfrigérateur est dans le cycle de dégivrage.	Attendre environ 30 minutes pour que le cycle de dégivrage se termine.



VIBRATION OU CRÉPITEMENT

Vérifier si...

Ensuite...

Le réfrigérateur n'est pas ancré solidement sur le sol.	Le sol est faible ou inégal, ou les jambes de nivellement ont besoin d'ajustement. Voir la section NIVELLEMENT ET FERMETURE DES PORTES .
---	---

DÉPANNAGE

LES LUMIÈRES NE FONCTIONNENT PAS

Vérifier si...

Ensuite...

Le cordon d'alimentation est débranché.	Brancher fermement le cordon dans une sortie électrique au voltage adéquat.
L'ampoule est desserrée dans la cavité.	Mettre la commande du réfrigérateur à la position HORS TENSION et débrancher. Doucement enlever l'ampoule et la réinsérer. Ensuite brancher le réfrigérateur et restaurer les commandes du réfrigérateur.
L'ampoule est brûlée.	Remplacer avec une ampoule d'appareil ménager du même voltage, de la même taille et forme disponible à votre quincaillerie locale. (Voir la section REPLACEMENT DE L'AMPOULE .) Mettre la commande du contrôle de la température à la position HORS TENSION et débrancher le réfrigérateur avant le remplacement.

LE MOTEUR DU COMPRESSEUR SEMBLE TROP FONCTIONNER

Vérifier si...

Ensuite...

Le réfrigérateur remplacé était un modèle plus ancien.	Les réfrigérateurs modernes avec une plus grande capacité d'entreposage ont besoin de plus de temps d'opération.
La température de la pièce est plus chaude qu'à l'habitude.	Le moteur fonctionnera plus longtemps sous des conditions plus chaudes. À une température de pièce normale, attendez-vous à ce que votre moteur fonctionne de 40% à 80% du temps. Sous des conditions plus chaudes, attendez-vous à ce qu'il fonctionne encore plus.
La porte est fréquemment ouverte ou une quantité importante de nourriture vient d'être ajoutée.	Ajouter de la nourriture et ouvrir les portes réchauffe le réfrigérateur. Il est normal pour le réfrigérateur de fonctionner plus longtemps afin de se refroidir à la température adéquate. Ajouter une quantité importante de nourriture réchauffe le réfrigérateur. Voir la section d'ENTREPOSAGE DE LA NOURRITURE . Dans le dessein de conserver de l'énergie, essayer de retirer tout ce dont vous avez besoin du réfrigérateur d'un coup; aussi garder la nourriture organisée pour qu'il soit facile de trouver la nourriture et de fermer les portes rapidement.
Le réfrigérateur vient d'être connecté et les commandes de contrôle sont fixées correctement.	Le réfrigérateur peut prendre jusqu'à 24 heures pour se refroidir complètement.
Les commandes de contrôle du réfrigérateur ne sont pas réglées correctement par rapport aux conditions environnantes.	Voir la section d'AJUSTEMENT DES CONTRÔLES .
Les portes ne sont pas complètement fermées.	Fermer fermement les portes. Si elles ne se ferment pas complètement, voir la section-ci bas « Les portes ne se ferment pas complètement ».
Les bobines condensatrices sont sales.	Cela empêche le transfert de l'air et fait fonctionner le moteur à plus forte raison. Nettoyer les bobines condensatrices. Se référer à la section ENTRETIEN ET NETTOYAGE .

LES PORTES NE SE FERMENT PAS COMPLÈTEMENT

Vérifier si...

Ensuite...

Le réfrigérateur n'est pas nivelé.	Voir les sections INSTALLATION DU RÉFRIGÉRATEUR, NIVELLEMENT ET ALIGNEMENT DES PORTES .
Des paquets de nourritures bloquent la porte ouverte.	Arranger les contenants à nourriture pour libérer les portes et les étagères des portes.
Le bac à glace, les couvercles des bacs à légume, les cuvettes, les étagères, les bacs ou paniers des portes ne sont pas en position.	Pousser les bacs complètement à l'intérieur et mettre les couvercles des bacs à légume, les cuvettes, les étagères et les paniers dans leur position respective. Voir la section UTILISER VOTRE RÉFRIGÉRATEUR .
Les joints d'étanchéité collent.	Nettoyer les joints d'étanchéité et les surfaces qu'ils touchent. Frotter une fine couche de cire à paraffiner sur les joints après le nettoyage.
Le réfrigérateur tremble ou semble instable.	Niveler le réfrigérateur. Se référer à la section NIVELEMENT ET FERMETURE DES PORTES .
Les portes ont été enlevées pendant l'installation du produit et n'ont pas été correctement réinstallées.	Enlever et remplacer les portes selon la section ENLEVER ET REMPLACER LES PORTES OU INVERSEMENT DES PORTES , ou appeler un technicien qualifié Sears ou autre.

DÉPANNAGE

GEL OU CRISTAUX DE GLACE SUR LA NOURRITURE CONGELÉE

Vérifier si...	Ensuite...
La porte ne ferme pas correctement.	Voir « la porte ne se ferme pas complètement »
La porte est souvent ouverte.	Quand la porte est ouverte, l'air chaud et humide peut entrer dans le congélateur résultant en du gel.

LA GLACE A UN MAUVAIS GOÛT OU UNE ODEUR

Vérifier si...	Ensuite...
Le fabrique glace est récemment installé.	Jeter les premières séries de glaçons pour éviter la glace décolorée ou de mauvais goût.
La glace a été entreposée pour trop longtemps.	Jeter la vieille glace et en faire de la nouvelle.
La nourriture n'a pas été emballée correctement dans les compartiments.	Remballer la nourriture puisque les odeurs peuvent s'imprégner dans la glace.
L'apport en eau contient des minéraux tel le sulfure.	Un filtre doit peut-être être installé pour éliminer les problèmes de goût et d'odeur.
L'intérieur du réfrigérateur a besoin de nettoyage.	Voir la section ENTRETIEN ET NETTOYAGE .
Le bac d'entreposage à glace a besoin de nettoyage.	Vider et laver les bacs. Jeter les vieux glaçons.

IL Y A DE L'EAU DANS LA CUVETTE DE DRAINAGE DE DÉGIVRAGE

Vérifier si...	Ensuite...
Le réfrigérateur dégivre.	L'eau s'évaporerait. Il est normal pour l'eau de s'égoutter dans la cuvette de dégivrage.
Il fait plus humide qu'à l'habitude.	S'attendre que l'eau dans la cuvette de dégivrage prenne plus de temps à s'évaporer. Cela est normal quand il fait chaud ou humide.

LE RÉFRIGÉRATEUR SEMBLE FAIRE TROP DE BRUIT

Vérifier si...	Ensuite...
Les sons sont peut-être normaux pour votre réfrigérateur.	Se référer à la section COMPRENDRE LES SONS QUE VOUS POURRIEZ ENTENDRE .

LE FABRIQUE GLACE NE PRODUIT PAS DE GLACE OU LES GLAÇONS GÈLENT TROP LENTEMENT

Vérifier si...	Ensuite...
La température du congélateur est suffisamment froide pour produire de la glace.	Attendre 24 heures après l'installation de la production de glace. Se référer à la section FIXER LES CONTRÔLES .
La porte est restée ouverte.	Vérifier si quelque chose maintient la porte ouverte.

LES GLAÇONS DU FABRIQUE GLACE SONT TROP PETITS

Vérifier si...	Ensuite...
Le niveau des plus petits glaçons est sélectionné.	Sélectionner un niveau plus élevé de la taille des glaçons.
La valve d'arrêt de l'eau connectant le réfrigérateur à la ligne d'eau est peut-être bouchée.	Appeler un plombier pour libérer la valve.

DÉPANNAGE

LES PORTES SONT DIFFICILEMENT OUVRABLES

Vérifier si...	Ensuite...
Les joints d'étanchéités sont collants ou sales.	Nettoyer les joints d'étanchéité et les surfaces qu'ils touchent. Frotter une fine couche de cire à paraffiner sur les joints après le nettoyage.
La porte est ouverte de nouveau peut après avoir déjà été ouverte.	Quand vous ouvrez les portes, de l'air plus chaud entre dans le réfrigérateur. Au fur et à mesure que l'air chaud se refroidie, cela peut créer un vide. Si vous avez de la difficulté à ouvrir la porte, attendre 5 minutes pour que la pression de l'air s'égalise, ensuite vérifier si elle s'ouvre plus facilement.

LE FABRIQUE GLACE AUTOMATIQUE NE FONCTIONNE PAS (le fabrique glace sur certains modèles)

Vérifier si...	Ensuite...
L'interrupteur du fabrique glace est à la position 0 (HORS TENSION).	Bouger l'interrupteur à la position I (TENSION).
Si l'apport en eau n'est pas enclenché ou n'est pas connecté.	Voir la section CONNEXION DE LA LIGNE D'EAU .
Le compartiment congélateur est trop chaud.	Attendre 24 heures pour que le congélateur atteigne la température idéale.
L'empilage de glaçons dans le bac d'entreposage cause l'arrêt du fabrique glace.	Niveler les glaçons à la main.

LA TEMPÉRATURE EST TROP CHAUDE OU BIEN IL Y A ACCUMULATION D'HUMIDITÉ

Vérifier si...	Ensuite...
Les orifices d'air sont bouchés. L'air froid circule du congélateur à la section de la nourriture fraîche et de retour par les orifices du mur divisant les deux sections.	Localiser les orifices de circulation de l'air en utilisant votre main pour repérer la circulation d'air et déplacer tout paquet qui bloque les orifices ou qui réduit la circulation. Se référer à ASSURER UNE CIRCULATION D'AIR APPROPRIÉE pour repérer les orifices.
Les portes sont souvent ouvertes.	Quand la porte est ouverte, l'air chaud et humide peut entrer dans le réfrigérateur. Plus la porte est ouverte, plus l'humidité se forme rapidement, et plus le réfrigérateur doit refroidir d'air chaud. Dans le dessein de garder le réfrigérateur froid, essayer de retirer tout ce dont vous avez besoin du réfrigérateur d'un coup; aussi garder la nourriture organisée pour qu'il soit facile de trouver la nourriture et de fermer les portes rapidement.
Les commandes ne sont pas correctement fixées pour les conditions environnantes.	Se référer à la section FIXER LES CONTRÔLES . Attendre 24 pour que la température se stabilise ou s'égalise. Si la température est trop chaude ou trop froide, bouger l'indicateur d'un numéro à la fois.
Une quantité importante de nourriture vient d'être ajouté dans le réfrigérateur ou dans le congélateur.	Ajouter de la nourriture réchauffe le réfrigérateur. Le réfrigérateur peut prendre quelques heures à revenir à sa température normale.
La nourriture n'est pas correctement emballée.	Bien emballer la nourriture et essuyer les contenants humides avant de les entreposer dans le réfrigérateur pour éviter l'accumulation d'humidité. Si nécessaire, remballer la nourriture selon le guide dans la section GUIDE D'ENTREPOSAGE DE LA NOURRITURE .
Les portes ne sont pas complètement fermées.	Voir « les portes ne ferment pas complètement »
La température est humide.	Dans une température humide, l'air transporte l'humidité dans le réfrigérateur quand les portes sont ouvertes.
Un cycle de dégivrage automatique vient d'être complété.	Il est normal que quelques gouttes se forment sur le mur du fond après le dégivrage automatique du réfrigérateur.

Get it fixed, at your home or ours!

Your Home

For expert troubleshooting and home solutions advice:

manage my home

www.managemyhome.com

For repair – **in your home** – of **all** major brand appliances, lawn and garden equipment, or heating and cooling systems, **no matter who made it, no matter who sold it!**

For the replacement parts, accessories and owner's manuals that you need to do-it-yourself.

For Sears professional installation of home appliances and items like garage door openers and water heaters.

1-800-4-MY-HOME[®]

(1-800-469-4663)

www.sears.com

Call anytime, day or night

(U.S.A. and Canada)

www.sears.ca

Our Home

For repair of carry-in items like vacuums, lawn equipment, and electronics, call anytime for the location of the nearest

Sears Parts & Repair Service Center

1-800-488-1222 (U.S.A.)

www.sears.com

1-800-469-4663 (Canada)

www.sears.ca

To purchase a protection agreement on a product serviced by Sears:

1-800-827-6655 (U.S.A.)

1-800-361-6665 (Canada)

Para pedir servicio de reparación a domicilio, y para ordenar piezas:

1-888-SU-HOGAR[®]

(1-888-784-6427)

Au Canada pour service en français:

1-800-LE-FOYER^{MC}

(1-800-533-6937)

www.sears.ca



© Sears Brands, LLC

® Registered Trademark / TM Trademark / SM Service Mark of Sears Brands, LLC

® Marca Registrada / TM Marca de Fábrica / SM Marca de Servicio de Sears Brands, LLC

^{MC} Marque de commerce / ^{MD} Marque déposée de Sears Brands, LLC