

This Owner's Manual is provided and hosted by [Appliance Factory Parts](#).



LG 79912 Owner's Manual

[Shop genuine replacement parts for LG 79912](#)



[Find Your LG Refrigerator Parts - Select From 834 Models](#)

----- Manual continues below -----

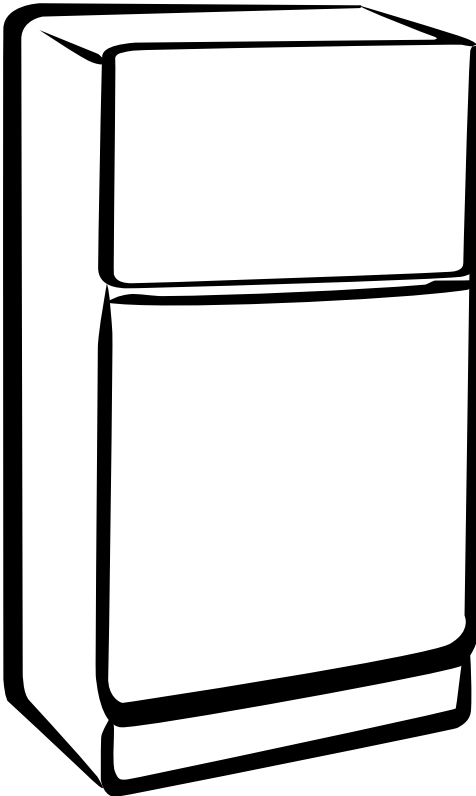


TOP FREEZER REFRIGERATOR

REFRIGERATOR SERVICE MANUAL

CAUTION
BEFORE SERVICING THE UNIT,
READ THE SAFETY PRECAUTIONS IN THIS MANUAL.

MODELS:



795.69292.900	795.79292.900
795.69293.900	795.79293.900
795.69299.900	795.79299.900
795.69372.900	795.79372.900
795.69374.900	795.79374.900
795.69376.900	795.79376.900
795.69379.900	795.79379.900
795.69912.900	795.79912.900
795.69913.900	795.79913.900
795.69919.900	795.79919.900
795.69972.900	795.79972.900
795.69974.900	795.79974.900
795.69976.900	795.79976.900
795.69979.900	795.79979.900

CONTENTS

SAFETY PRECAUTIONS	2
1. SPECIFICATIONS	3
2. PARTS IDENTIFICATION	5
3. DISASSEMBLY	6
3.1 Door	6
3.2 Door switch	6
3.3 Fan and fan motor	7
3.4 Defrost control assembly	7
3.5 Lamp	7
3.6 Control box-refrigerator	7
4. COMPRESSOR ELECTRICAL	8
4.1 Compressor	8
4.2 PTC-Starter/ COMBO	8
4.3 OLP (overload protector)	9
5. CIRCUIT DIAGRAM	10
6. TROUBLESHOOTING	11
6.1 Compressor and electric components	11
6.2 PTC/ COMBO and OLP	12
6.3 Other electrical components	13
6.4 Service diagnosis chart	14
6.5 Refrigeration cycle	15
7. OPERATION PRINCIPLE AND REPAIR METHOD OF ICEMAKER	16
7.1 Operation principle	16
7.2 Ice maker functions	17
8. DESCRIPTION OF FUNCTION & CIRCUIT OF MICOM	18
8.1 Function	18
8.2 PCB function	21
8.3 Resistance specification of sensor	22
9. EXPLODED VIEW AND REPLACEMENT PART LIST	25

SAFETY PRECAUTIONS

Please read the following instructions before servicing your refrigerator.

1. Check the refrigerator for electrical faults.
2. To prevent electric shock, unplug before servicing.
3. Always check line voltage and amperage.
4. Use standard electrical components or cause your skin to freeze and stick to the surfaces inside the freezer.
5. Don't touch metal products in the freezer with wet hands. This may cause frostbite.
6. Prevent water from spilling onto electric elements or the machine parts.
7. Close the top door before opening the bottom door. Otherwise, you might hit your head when you stand up.
8. When tilting the refrigerator, remove any materials on the refrigerator, especially the glass shelves and stored food.
9. When servicing the evaporator, wear cotton gloves. This is to prevent injuries from the sharp evaporator fins.
10. Service on the refrigerator should be performed by a qualified technician. Sealed system repair must be performed by a CFC certified technician.

1. SPECIFICATIONS

1-1 DISCONNECT POWER CORD BEFORE SERVICING IMPORTANT RECONNECT ALL GROUNDING DEVICES.

All parts of this appliance capable of conducting electrical current are grounded. If grounding wires, screws, straps, clips, nuts or washers used to complete a path to ground are removed for service, they must be returned to their original position and properly fastened.

1-2 IMPORTANT NOTICE

This information is intended for use by individuals possessing adequate backgrounds of electrical, electronic and mechanical experience. Any attempt to repair a major appliance may result in personal injury and property damage. The manufacturer or seller cannot be responsible for the interpretation of this information, nor can it assume any liability in connection with its use.

1-3 ELECTRICAL SPECIFICATIONS

Temperature Control (Position: MID)	-6°F to +8°F
Defrost Control	Automatic
Defrost Thermostat	50°F
Electrical Rating: 115VAC, 60Hz	1 -5A
Maximum Current Leakage	0.5mA
Maximum Ground Path Resistance	0.14Ohms
Energy Consumption	19cuft 396KWh/yr (Energy star) 22cuft 424KWh/yr (Energy star)

1-4 NO LOAD PERFORMANCE

Control Position: MID/MID

And ambient of:	70°F	90°F
Fresh Food, °F	33°F to 41°F	33°F to 41°F
Frozen Food, °F	-4°F to +4°F	-4°F to +4°F
Percent Running Time	25% - 35%	45% - 60%

1-5 REFRIGERATION SYSTEM

1-6 INSTALLATION

Minimum Compressor Capacity Vacuum	21 in	Clearance must be provided at top, sides and rear of the refrigerator for air circulation.	
Minimum Equalized Pressure			
@ 70°F	49PSIG	AT TOP	1in
@ 90°F	56PSIG	AT SIDES	1/18 in
Refrigerant R134a	5.47 Oz	AT REAR	1in
Compressor	700BTU/hr		

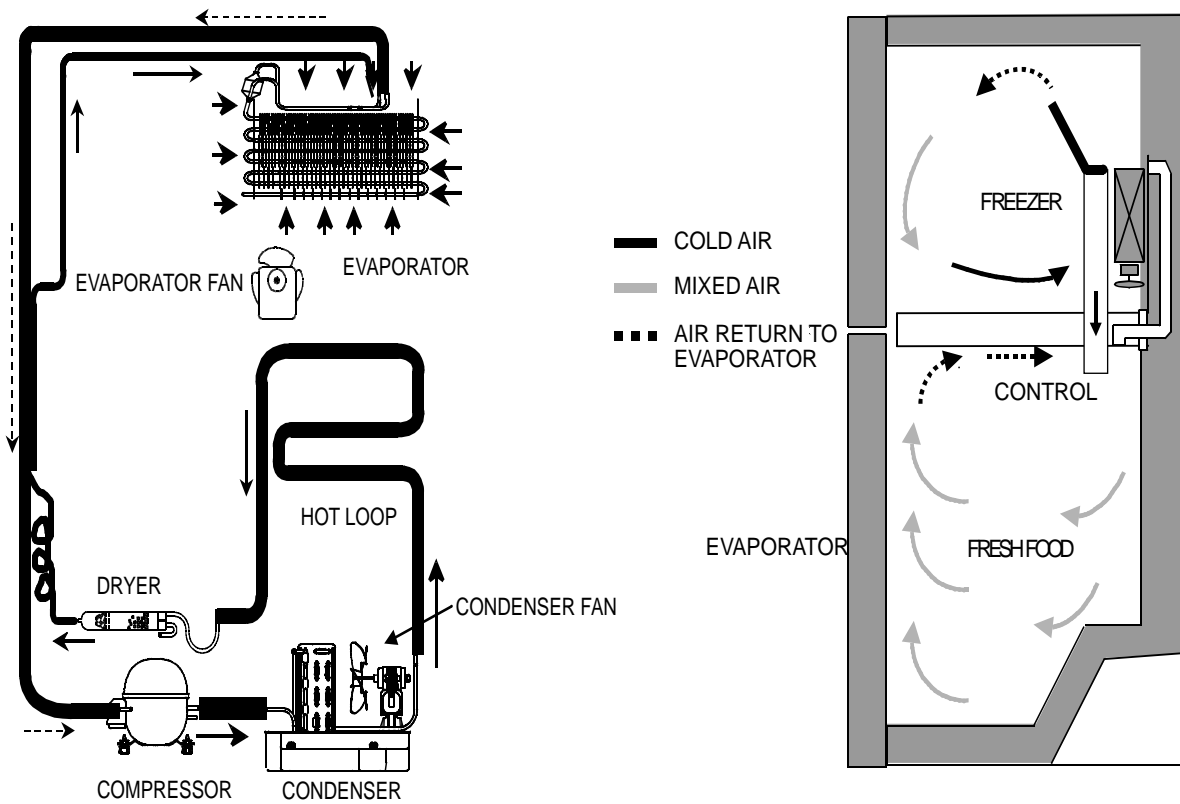
**PERFORMANCE DATA
(NORMAL OPERATING CONDITIONS)**

AMB	WATTS	SYSTEM PRESSURE (PSIG)	
		HIGH SIDE	LOW SIDE
70°F	98 (+10 / -10)	98 (+5 / -3)	(-5) to (-2)
90°F	98 (+10 / -10)	132 (+3 / -3)	(-4) to 1
110°F	103 (+5 / -5)	180 (+5 / -5)	(-2) to 3

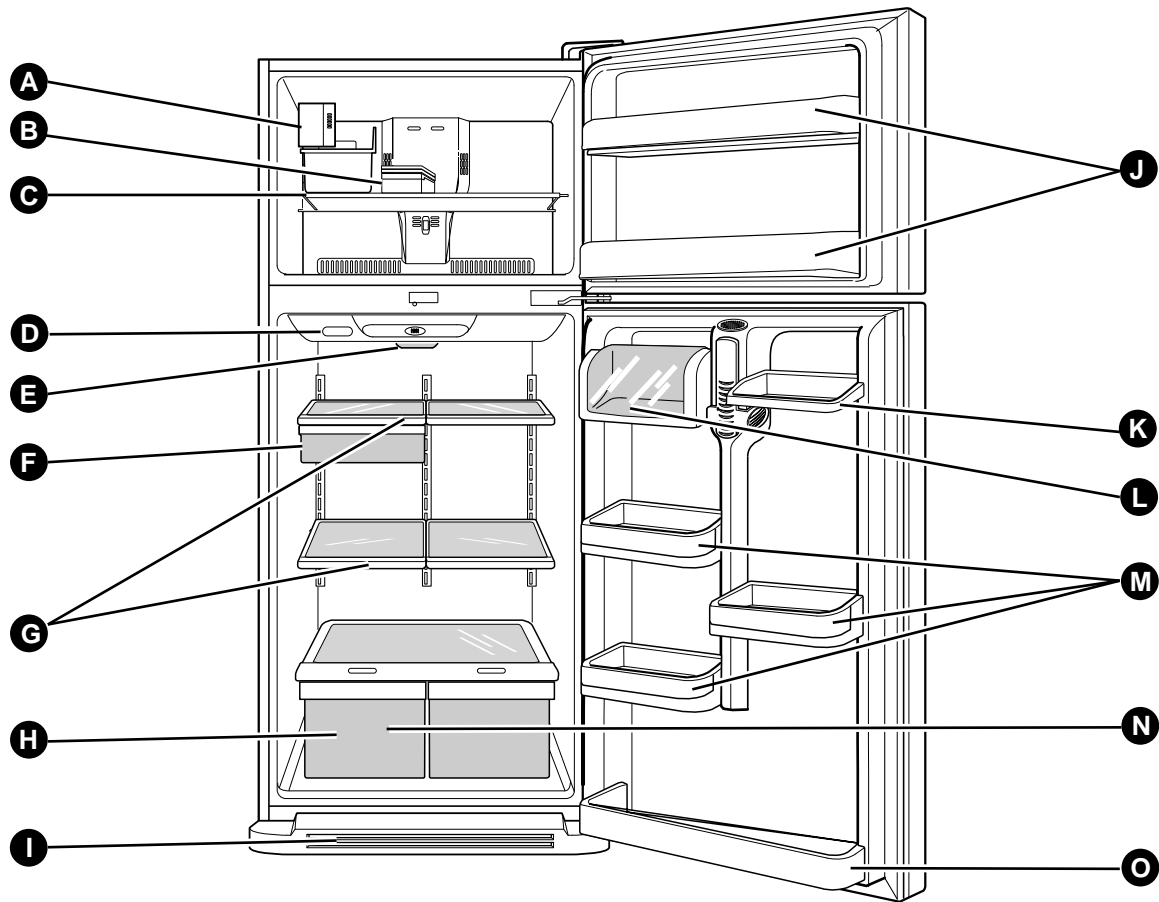
1-7 REPLACEMENT PARTS

- Relay (PTC)6748C-0004D
- Overload Protector (OLP) 6750C-0005P
- Defrost Thermostat 6615JB2005C
- Defrost Heater 19cuft - 5300JK1003D
..... 22cuft - 5300JK1003J
- Evaporator Fan Motor 4681JB1029J
- Capacitor 0CZZJB2012J
- Compressor (Hi-Side) TCA33414101
- Evaporator (Lo-Side) 19cuft - 5421JJ0003A
..... 22cuft - 5421JJ0002A
- Condenser 5403JJ1008A
- Dryer 5851JJ2002F
- Temperature Control 6871JB2036D
- Main Control EBR41531306

1-8 AIR FLOW



2. PARTS IDENTIFICATION



Use this section to become more familiar with the parts and features. Page references are included for your convenience.

NOTE: This guide covers several different models. The refrigerator you have purchased may have some or all of the items listed below. The locations of the features shown below may not match your model.

A CustomCube Ice maker

B Ice Bin

C Freezer Shelf

D Digital Sensor Control

E Refrigerator Light

F Snack Pan

G Shelves

H Crisper
Keeps fruits and vegetables fresh and crisp

I Base Grille

J Freezer Door Bin

K Dairy Corner

L Can Dispenser

M Door Bin

N Refrigerator Door Rack

O Vitabox (Inside)*

3. DISASSEMBLY

3-1 DOOR

Freezer Door

1. Remove the hinge cover by pulling it upwards.
2. Loosen hexagonal bolts attaching the upper hinge to the body and lift the freezer door.



3. Pull out the door gasket to remove from the door foam assembly.



Refrigerator Door

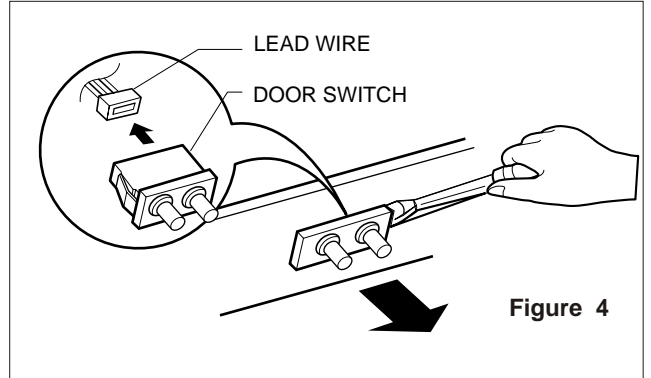
1. Loosen hexagonal bolts attaching the lower hinge to the body to remove the refrigerator door only.



2. Pull out the door gasket to remove from the door foam assembly.

3-2 DOOR SWITCH

1. To remove the door switch, pry it out with a slotted-type driver, as shown in (Figure 4).
2. Disconnect the lead wire from the switch.



3-3 FAN AND FAN MOTOR

1. Remove the freezer shelf. (If your refrigerator has an icemaker, unplug and remove the icemaker first).
2. Remove the screw of the cover grille fan
3. Remove the grille by pulling it out and by loosening a screw.
4. Remove the Fan Motor assembly by loosening 4 screws and disassemble the shroud.
5. Pull out the fan and separate the Fan Motor and Bracket.

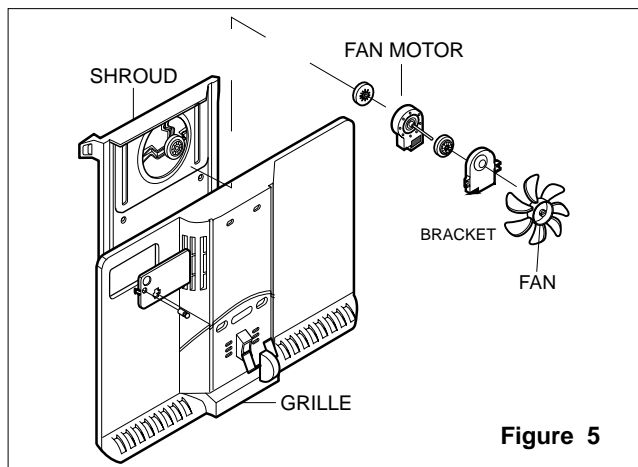


Figure 5

3-4 DEFROST CONTROL ASSEMBLY

Defrost Control assembly consists of Defrost Sensor and FUSE-M.

Defrost sensor functions to defrost automatically. It is attached to metal side of the Evaporator and senses Temperature. At the temperature of 162°F(72°C), it stops the emission of heat from the Heater.

Fuse-M is a safety device for preventing over-heating of the Heater when defrosting.

1. Pull out the grille assembly. (Figure 6)
2. Separate the connector of the Defrost Control assembly and replace the Defrost Control assembly after cutting the Tie Wrap. (Figure 7)

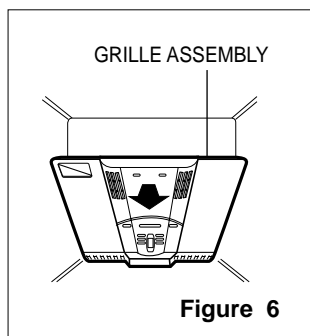


Figure 6

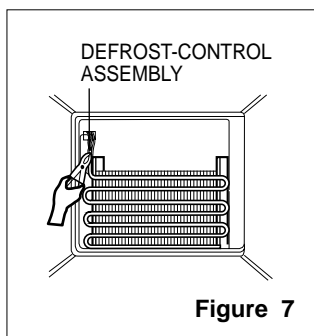


Figure 7

3-5 LAMP

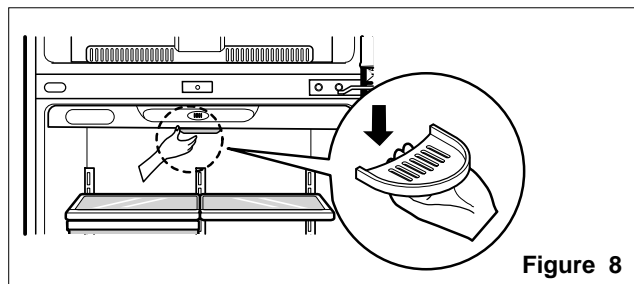


Figure 8

3-5-1 Refrigerator Compartment Lamp

1. Unplug the power cord from the outlet.
2. Remove refrigerator shelves.
3. Release the hooks on both ends of the lamp shield and pull the shield downward to remove it.
4. Turn the lamp counterclockwise.
5. Assemble in reverse order of disassembly. Replacement bulb must be the same specification as the original (Max. 40 W-1EA).

3-6 CONTROL BOX-REFRIGERATOR

1. First, remove all shelves in the refrigerator. Then remove the Refrigerator Control Box by loosening 2 screws.

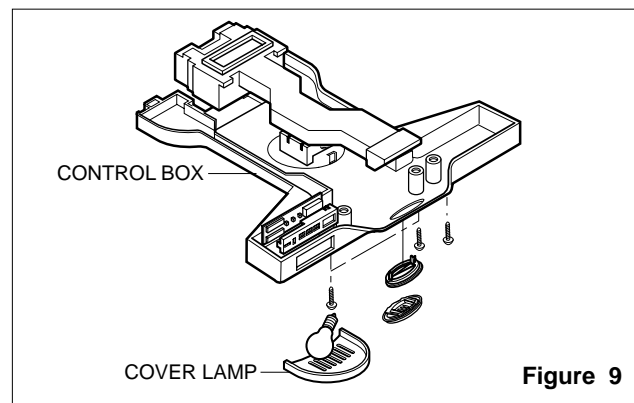


Figure 9

2. Remove the Refrigerator Control Box by pulling it downward.
3. Disconnect the lead wire on the right position and separate the lamp sockets.

4. COMPRESSOR ELECTRICAL

4-1 COMPRESSOR

4-1-1 Role

The compressor intakes low temperature and low pressure gas from the evaporator of the refrigerator and compresses this gas to high temperature and high pressure gas. It then delivers the gas to the condenser.

4-1-2 Composition

The compressor includes overload protection. The PTC starter and OLP (overload protector) are attached to the outside of the compressor. Since the compressor is manufactured to tolerances of 1 micron and is hermetically sealed in a dust and moisture-free environment, use extreme caution when repairing it.

4-1-3 Note for Usage

- (1) Be careful not to allow over-current.
- (2) If compressor is dropped or handled carelessly, poor operation and noise may result.
- (3) Use proper electric components appropriate to the particular compressor in your product.
- (4) Keep compressor dry.
If the compressor gets wet (in the rain or a damp environment) and rust forms in the pin of the Hermetic Terminal, poor operation and contact may result. If the hermetic connector rusts out or fails, refrigerant and oil will be expelled into the contact area, probably resulting in smoke and fire.
- (5) When replacing the compressor, be careful that dust, humidity, and soldering flux don't contaminate the inside of the compressor. Contamination in the cylinder may cause noise, improper operation or even cause it to lock up.

4-2 PTC-STARTER/COMBO

4-2-1 Composition of PTC- Starter

- (1) PTC (Positive Temperature Coefficient) is a no-contact semiconductor starting device which uses ceramic material consisting of BaTiO₃.
- (2) The higher the temperature is, the higher the resistance value. These features are used as a starting device for the motor.

4-2-2 Role of PTC-Starter

- (1) The PTC is attached to the Sealed Compressor and is used for starting the motor.
- (2) The compressor is a single-phase induction motor. During the starting operation, the PTC allows current flow to both the start winding and main winding.

4-2-3 Combo TSD

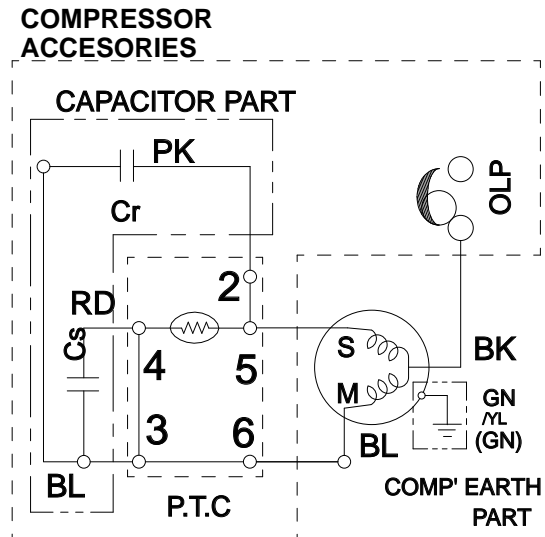
TSD (Time Starting Device) is a new electronic starting system for high efficiency compressors due to the following characteristics:

- (1) Combo concept-overload protector, electronic board and cover in a single casing.
- (2) Fully electronic concept.
- (3) Full integration of starting and protection devices.
- (4) Free from mechanical and electromagnetic noises.

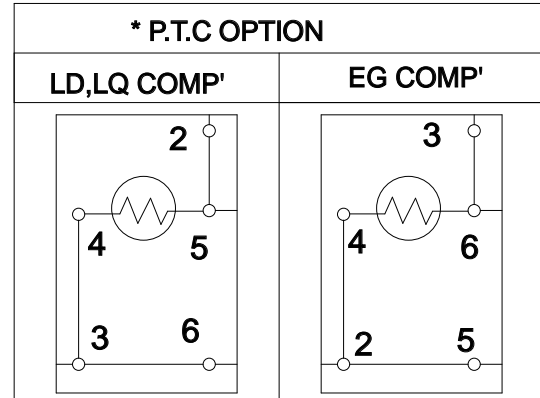
4-2-4 Role of Combo TSD

- (1) The combo is attached to the sealed compressor and is used for the operation and protect the motor.
- (2) The compressor is a single phase induction motor. During the starting and operation, the combo allows current flow to both the start and main winding.

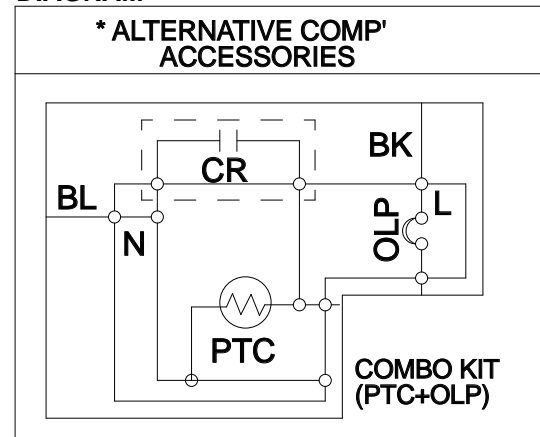
4-2-5 PTC/Combo - Applied Circuit Diagram Starting Method for the Motor



PTC DIAGRAM



COMBO KIT DIAGRAM



4-2-6 Motor Restarting and PTC/Combo Cooling

- (1) It requires approximately 5 minutes for the pressure to equalize before the compressor can restart.
- (2) The PTC/Combo device generates heat during operation. Therefore, it must be allowed to cool before the compressor can restart.

4-2-7 Relation of PTC-Starter / Combo and OLP

- (1) If the compressor attempts to restart before the PTC/Combo device is cooled, the PTC/Combo device will allow current to flow only to the main winding.
 - (2) The OLP will open because of the over current condition. This same process will continue (3 to 5 times) when the compressor attempts to restart until the PTC/Combo device has cooled. The correct OLP must be properly attached to prevent damage to the compressor.
- Parts may appear physically identical but could have different electrical ratings. Replace parts by part number and model number. Using an incorrect part could result in damage to the product, fire, injury, or possibly death.

4-2-8 Note for using the PTC-Starter / Combo

- (1) Be careful not to allow over-voltage and over-current
 - (2) Do not drop or handle carelessly.
 - (3) Keep away from any liquid.
- If liquid such as oil or water enters the PTC/Combo, PTC/Combo materials may fail due to breakdown of their insulating capabilities.
- (4) If the exterior of the PTC/Combo is damaged, the resistance value may be altered. This can cause damage to the compressor and result in a no-start or hard-to-start condition.
 - (5) Always use the PTC/Combo designed for the compressor and make sure it is properly attached to the compressor. Parts may appear physically identical but could have different electrical ratings. Replace parts by part number and model number. Using an incorrect part could result in damage to the product, fire, injury, or possibly death.

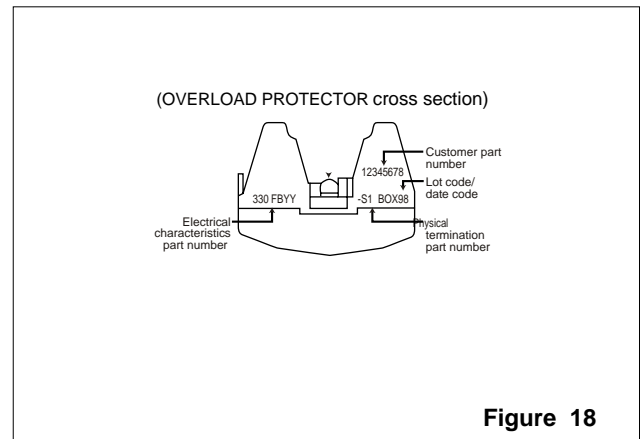
4-3 OLP (OVERLOAD PROTECTOR)

4-3-1 Definition of OLP

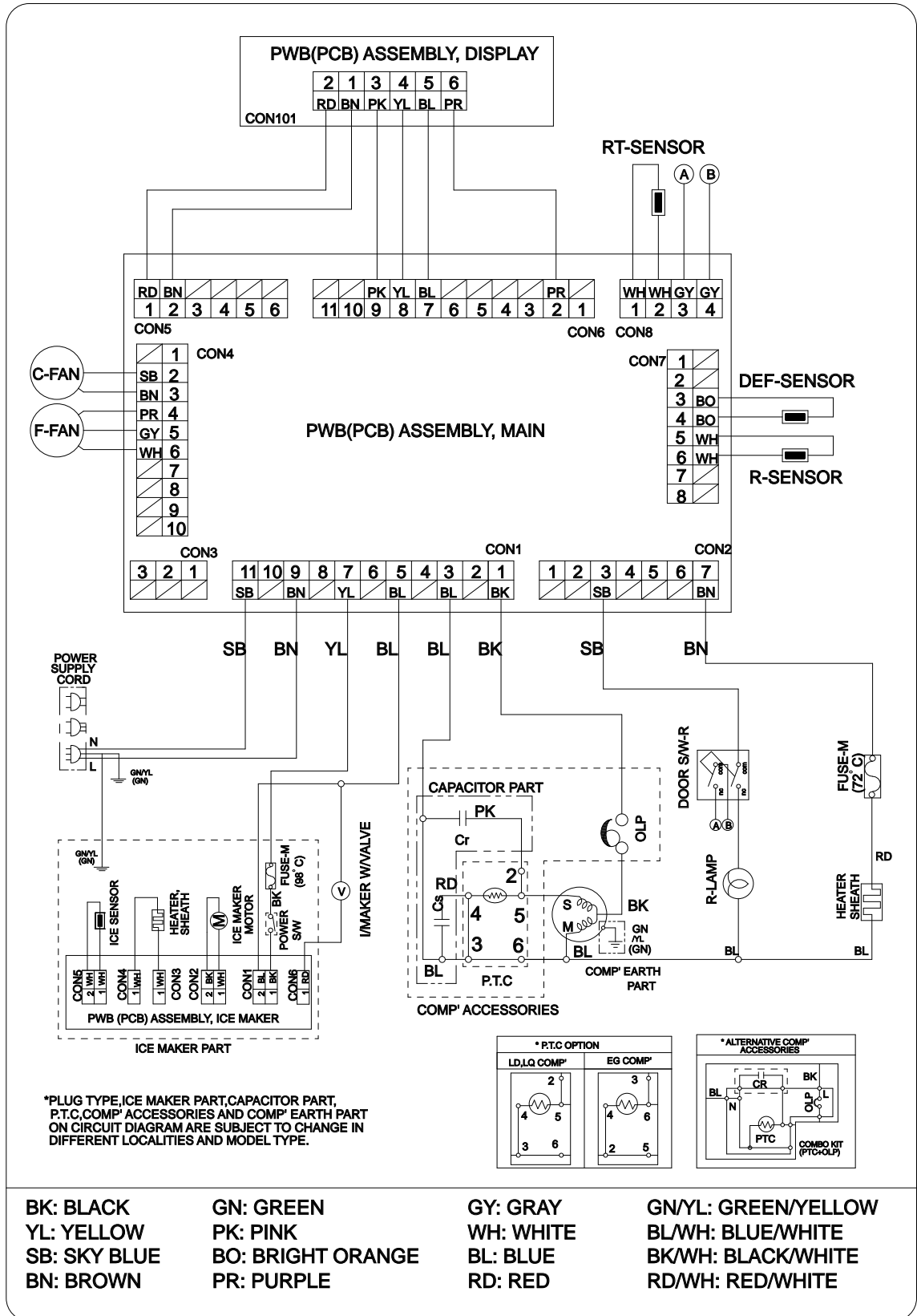
- (1) OLP (OVERLOAD PROTECTOR) is attached to the compressor and protects the motor by opening the circuit to the motor if the temperature rises activating the bimetal spring in the OLP.
- (2) When high current flows to the compressor motor, the bimetal works by heating the heater inside the OLP, and the OLP protects the motor by cutting off the current flowing to the compressor motor.

4-3-2 Role of the OLP

- (1) The OLP is attached to the sealed compressor used for the refrigerator. It prevents the motor coil from being started in the compressor.
- (2) For normal operation of the OLP, do not turn the adjust screw of the OLP in anyway.

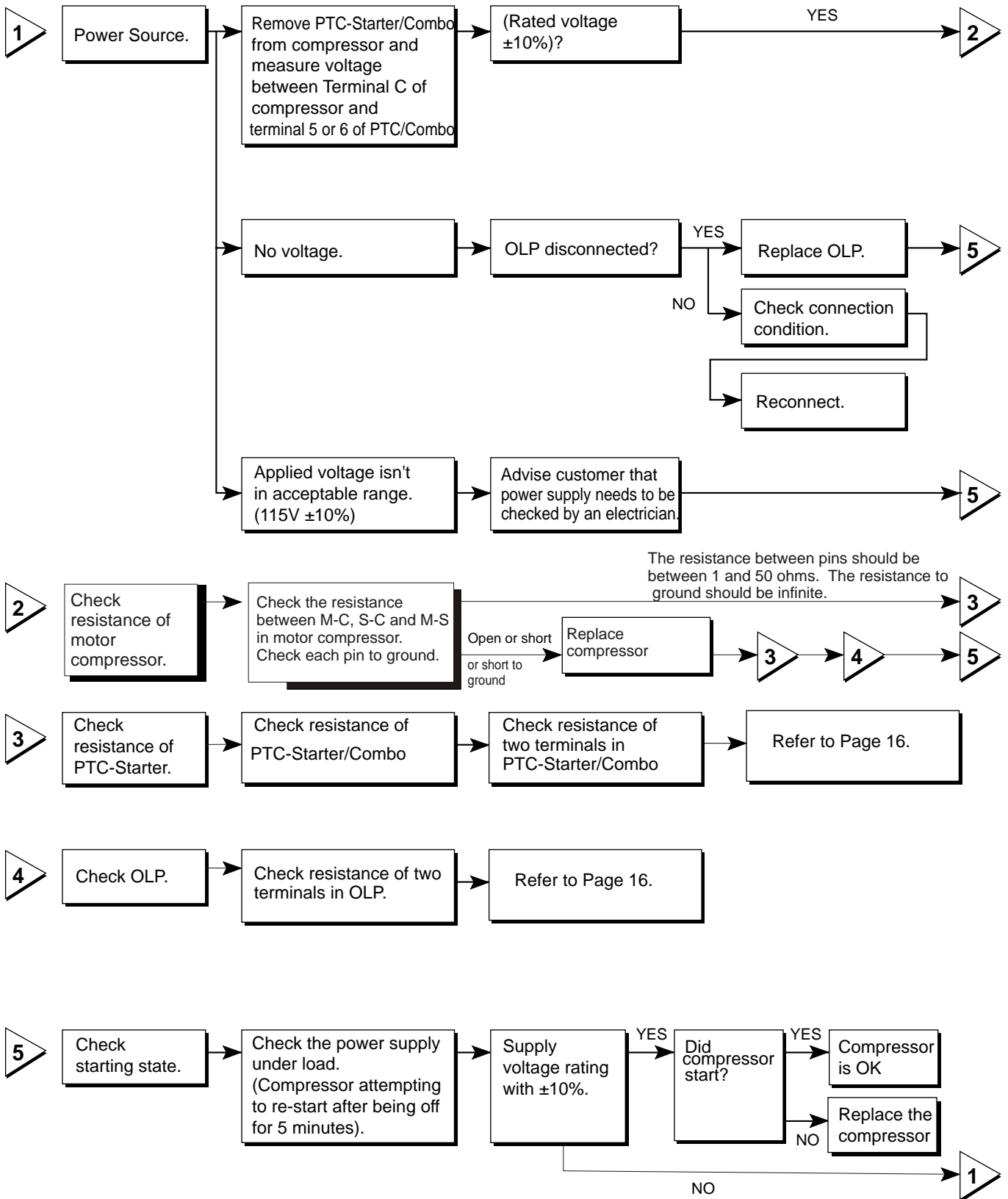


5. CIRCUIT DIAGRAM



6. TROUBLESHOOTING

6-1 COMPRESSOR AND ELECTRIC COMPONENTS



6-2 PTC / COMBO AND OLP

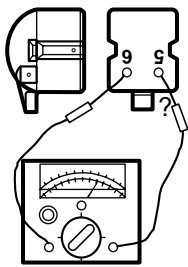
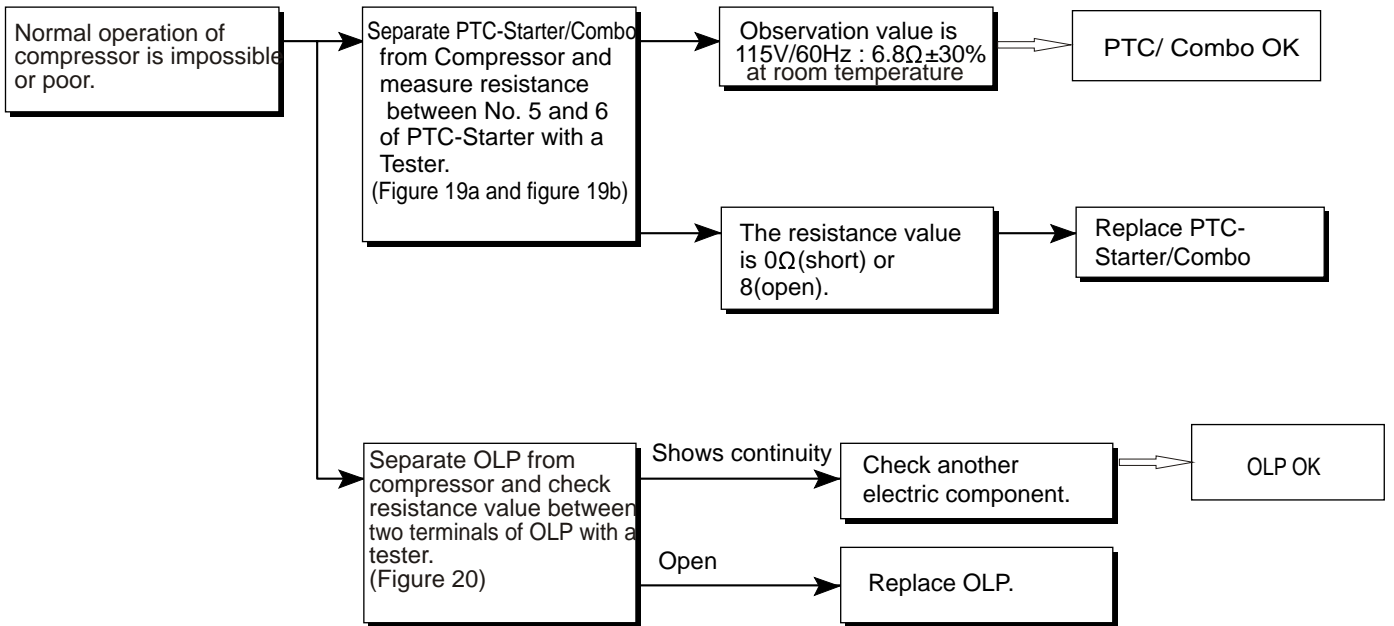


Figure 19a

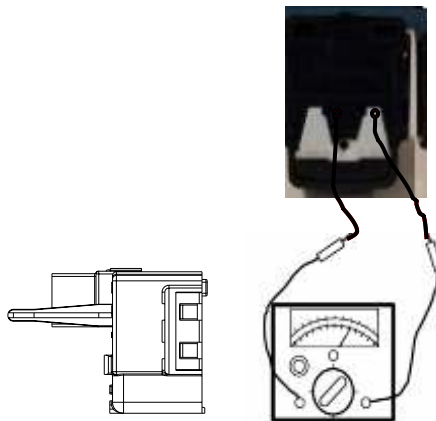


Figure 19b

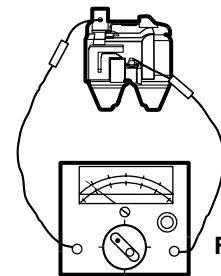
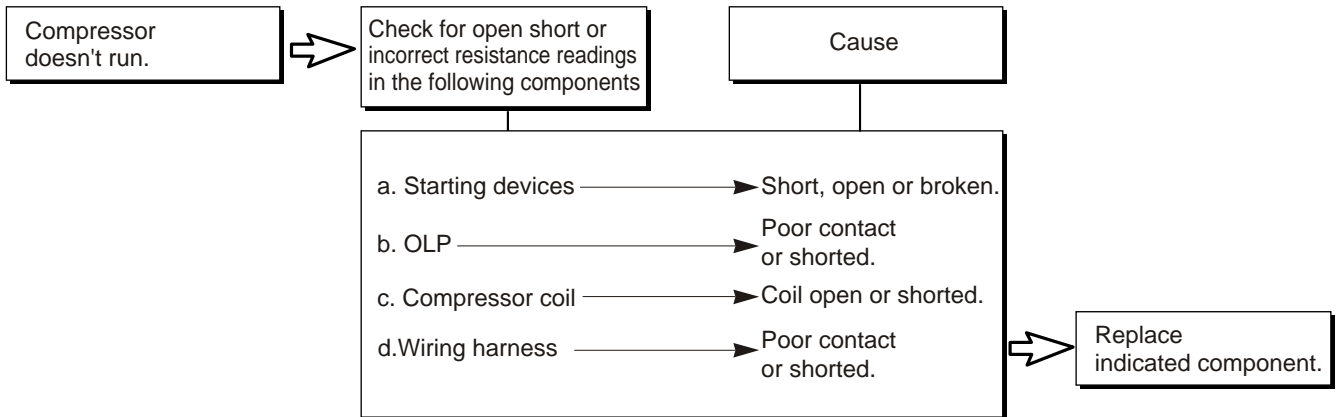


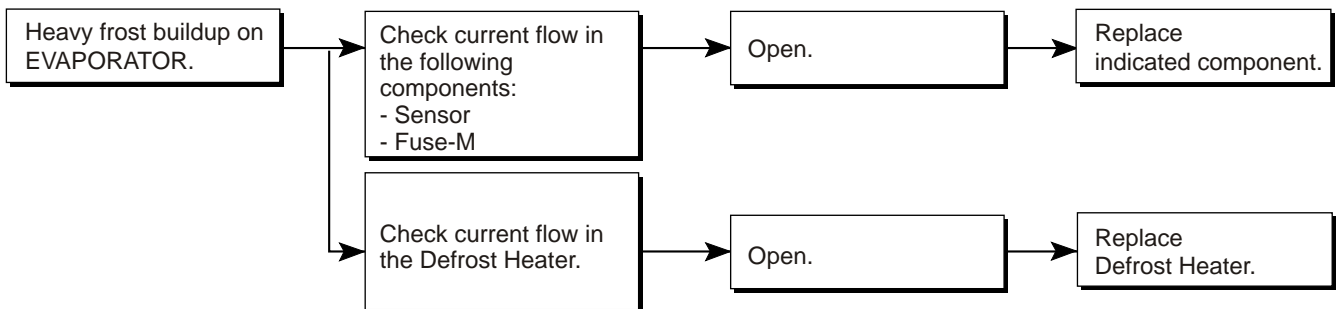
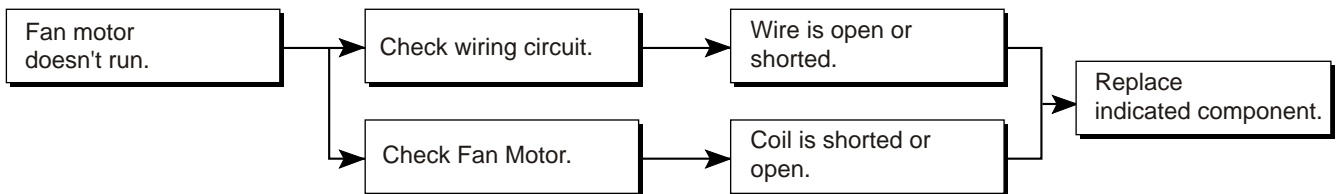
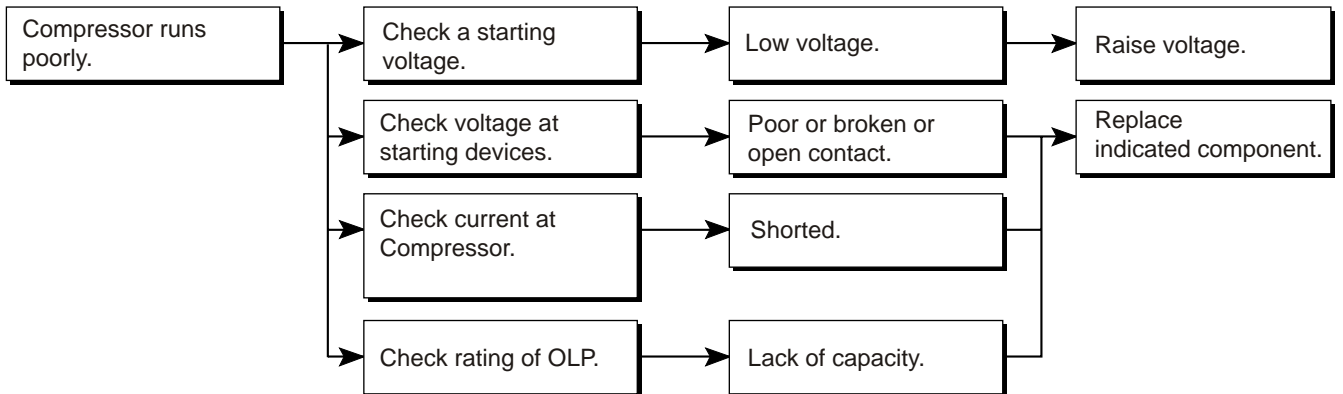
Figure 20

6-3 OTHER ELECTRIC COMPONENTS

• Not cooling at all



• Poor cooling performance



6-4 SERVICE DIAGNOSIS CHART

COMPLAINT	SYMPTOM	POSSIBLE CAUSES	SOLUTION
Electronic Display not operating correctly	1. No Display at all	<ol style="list-style-type: none"> 1. Supply voltage not within specifications 2. Open in wiring harness from PWB board 3. Open in door monitor switch circuit 	<ol style="list-style-type: none"> 1. Check supply voltage to refrigerator 2. Check wiring and connectors to PWB board 3. Check door monitor circuit
	2. Partial or abnormal display	<ol style="list-style-type: none"> 1. Supply voltage not within specifications 2. Open wiring harness from PWB board 	<ol style="list-style-type: none"> 1. Check supply voltage to refrigerator 2. Check wiring and connectors to PWB board
Not cooling	1. Display on but compressor not operating	<ol style="list-style-type: none"> 1. Compressor not operating 2. Open in compressor circuit 	<ol style="list-style-type: none"> 1. Check for compressor operation by using the test key on main circuit board. 2. Check for open on OLP, PTC, compressor, wiring, etc.
Not cold enough	1. Display on compressor is operating	<ol style="list-style-type: none"> 1. Condenser fan motor not operating 2. Condenser coils blocked 3. Evaporator fan motor not operating 4. Internal air flow blocked 5. Sensor not operating properly 6. Door not sealing 7. Evaporator frosted up 8. Sealed system related problem 	<ol style="list-style-type: none"> 1. Check condenser fan motor and wiring circuit 2. Check air flow across condenser 3. Check evaporator fan motor and wiring circuit 4. Check air ducts 5. Check refrigerator and freezer sensors 6. Check for proper door seal 7. Check defrost circuit components
Not defrosting	1. Freezer has too much frost	<ol style="list-style-type: none"> 1. Open in defrost circuit 2. Defrost sensor not operating correctly 3. Defrost drain clogged 	<ol style="list-style-type: none"> 1. Check defrost heater and circuit using Test Key 2. Check sensor 3. Check drain

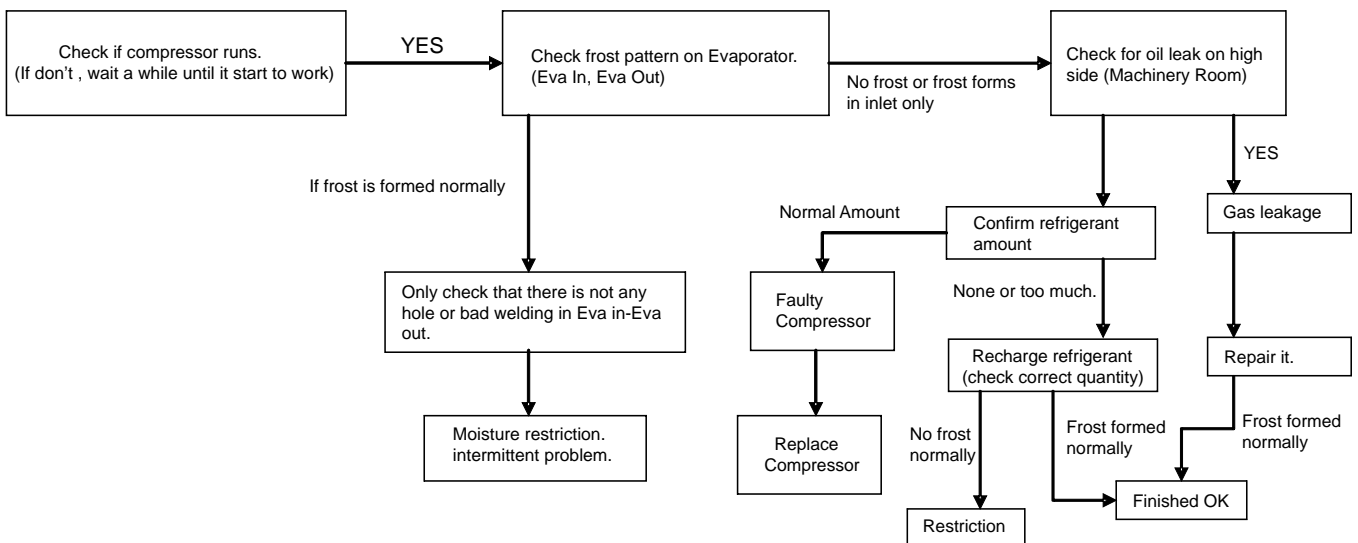
6-5 REFRIGERATING CYCLE

• Troubleshooting Chart

CAUSE		STATE OF THE UNIT	STATE OF THE EVAPORATOR	TEMPERATURE OF THE COMPRESSOR	REMARKS
LEAKAGE	PARTIAL LEAKAGE	Freezer compartment and Refrigerator don't cool normally.	Low flowing sound of Refrigerant is heard and frost forms in inlet only.	A little higher than ambient temperature.	<ul style="list-style-type: none"> Refrigerant level is low due to a leak. Normal cooling is possible by restoring the normal amount of Refrigerant and repairing the leak.
	COMPLETE LEAKAGE	Freezer compartment and Refrigerator don't cool normally.	Flowing sound of refrigerant is not heard and frost isn't formed.	Equal to ambient temperature.	<ul style="list-style-type: none"> No discharging of Refrigerant. Normal cooling is possible by restoring the normal amount of refrigerant and repairing the leak.
RESTRICTED BY DUST	PARTIAL RESTRICTION	Freezer compartment and Refrigerator don't cool normally.	Flowing sound of refrigerant is heard and frost forms in inlet only.	A little higher than ambient temperature.	<ul style="list-style-type: none"> Normal discharging of the refrigerant. The capillary tube is faulty.
	WHOLE RESTRICTION	Freezer compartment and Refrigerator don't cool.	Flowing sound of refrigerant is not heard and frost isn't formed.	Equal to ambient temperature.	<ul style="list-style-type: none"> Normal discharging of the refrigerant.
MOISTURE RESTRICTION		Cooling operation stops periodically.	Flowing sound of refrigerant is not heard and frost melts.	Lower than ambient temperature.	<ul style="list-style-type: none"> Cooling operation restarts when heating the inlet of the capillary tube.
DEFECTIVE COMPRESSION	COMP-RESSION	Freezer and Refrigerator don't cool.	Low flowing sound of refrigerant is heard and frost forms in inlet only.	A little higher ambient temperature.	<ul style="list-style-type: none"> Low pressure at high side of compressor due to low refrigerant level.
	NO COMP-RESSION	No compressing operation.	Flowing sound of refrigerant is not heard and there is no frost.	Equal to ambient temperature.	<ul style="list-style-type: none"> No pressure in the high pressure part of the compressor.

Leakage Detection

Check sealed system for leak.



7. OPERATION PRINCIPLE AND REPAIR METHOD OF ICEMAKER

7-1 OPERATION PRINCIPLE

7-1-1 Operation Principle of Icemaker



7-2 ICE MAKER FUNCTIONS

7-2-1 Ice Making Mode

1. Icemaking refers to the freezing of supplied water in the ice trays. Complete freezing is assured by measuring the temperature of the Tray with icemaking SENSOR.
2. Icemaking starts after completion of the water fill operation.
3. The icemaking function is completed when the sensor reaches -7°C , 60 to 240 minutes after starting.

NOTE : After icemaker power is ON, the icemaker heater will be on for test for 9 sec.

7-2-2 Harvest Mode

1. Harvest (Ice removing) refers to the operation of dropping ices into the ice bin from the tray when icemaking has completed.
2. Harvest mode:
 - (1) The Heater is ON for 30 seconds, then the motor starts.
 - (2) Harvest mode is completed if it reaches start position again while Heater & Motor are on at the same time.
 - A. ice bin is full : The EJECTOR stops (heater off).
 - B. ice bin is not full : The EJECTOR rotates twice to open for ice.

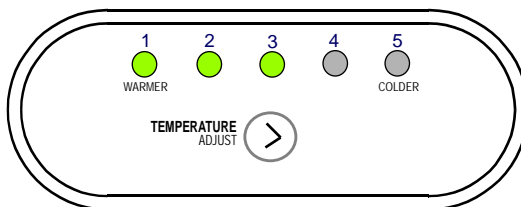
NOTE : If the EJECTOR does not rotate once within 5 minutes in status (2), separate heater control mode starts operating to prevent the EJECTOR from being constrained. (It is recommended that the user open for ice to return to normal mode.)

8. DESCRIPTION OF FUNCTION & CIRCUIT OF MICOM

8-1 FUNCTION

8-1-1 Function

1. When the appliance is plugged in, is set to “3” for the refrigerator. You can adjust the Refrigerator control temperature by pressing the ADJUST button.
2. When the power is initially applied or restored after a power failure, it is automatically reset to “3”.



8-1-2 Defrost Cycle

Defrosting starts each time the accumulated COMPRESSOR running time is between 7 and 50 hours. This time is determinate by how long the doors are opened.

For initial power on or for restoring power, defrosting starts when the compressor running time reaches 4 hours.

Defrosting stops if the sensor temperature reaches 50 °F (10 °C) or more. If the sensor doesn't reach the 50 °F (10°C) in 1 hour, the defrost mode is malfunctioning. (Refer to the defect diagnosis function).

Defrosting won't function if the sensor is defective (wires are cut or short circuited)

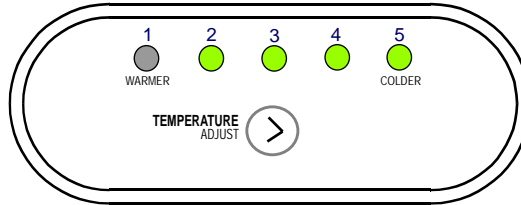
8-1-3 Electrical Parts Operation in Sequence.

Electrical parts such as COMP, defrost heater, freezer FAN, etc. Operate in the following order to prevent noise and parts damage. Several parts are started at the same time at initial power on and are turned off together when TEST is completed.

	OPERATING	ORDER	REMARKS
INITIAL POWER ON	Temperature of defrost sensor is 113°F (45°C) or more .	<pre> graph LR A[POWER ON] -- "0.5 Sec" --> B[COMP, F-FAN ON] </pre>	
	Temperature of defrost sensor is lower than 113°F (45°C).	<pre> graph LR A[POWER ON] -- "0.5 Sec" --> B[Def-Heater ON] B -.-> C[Def-Heater OFF] C -- "10 Sec" --> D[COMP, F-FAN ON] D -- "0.5 Sec" --> E[] style E fill:none,stroke:none </pre>	

8-1-4 Defect Diagnosis Function

1. If there is a problem, an error code will appear..
2. The buttons will not operate.
3. When the problem is repaired, the display will return to normal.
4. The error code is displayed using the LEDs.



☉ :ON ● :OFF

• ERROR CODE on Refrigerator Temperature panel

NO	Item	Error Code				Error Description	Remarks
		R2	R3	R4	R5		
1	Ref. Sensor	●	☉	●	●	Ref. Sensor Open or Short	* Check each sensor
2	Heater Sensor	●	●	☉	●	Defrost Sensor Open or Short	
3	RT Sensor	●	●	●	☉	Ambient Sensor Open or Short	
4	Defrosting Problem	☉	☉	☉	☉	Defrost time last more than one hour and the defrost sensor never reach 10°C or 50°F	Check FUSE-M, DEF-SENSOR, Drain, Heater Drive Relay
5	F-FAN LOCK	●	☉	☉	☉	F-FAN LOCKED	Check if something is locking the F-FAN

8-1-5 TEST MODE

1. Test mode allows checking the PCB and the function of the product as well as determining the Defective part in case of an error.
2. The test button is on the main PCB of the refrigerator (Test S/W).
- 3 While in the test mode, the ADJUST button will not operate.
4. After exiting the test mode, be sure to reset by unplugging and plugging in the appliance,
5. If an error, such as a sensor failure is detected while in the test mode, the test mode is cleared and the error code is displayed.
6. While an error code is displayed, the test mode will not be activated.

MODE	Key Control	Operation	Remarks
TEST 1	Push the test button once	1) Continuous operation of the COMP, Freezer FAN and Cooling FAN. 2) DEFROSTING HEATER OFF 3) ALL DISPLAY ON 4) LAMP RELAY ON/OFF OPERATED BY DOOR SWITCH	*The maximum time for TEST 1 is 5 min.
TEST	Push the test button once while in TEST MODE 1	1) COMP OFF 2) Freezer FAN and Cooling FAN OFF 3) Defrosting Heater ON 4) 1, 3, 5 LED ON	<div style="border: 1px solid black; padding: 5px; width: fit-content;"> Ref. Temp. Display ● ● ● ● ● ◎ : ON ● : OFF </div> Operate max 1 Hr
RESET	Push the test button Once while in TEST MODE 2	Reset to the default settings (Compressor will delay 7 minutes for Power ON)	

8-2-1 Power Circuit

Power is supplied to the control board at the pin 11 and 9 of connector #1. (Refer to figure 1)



FIGURE 1

8-2-2 Load and Door Light Circuit (HV)

1. Load Drive Condition Check

To measure outputs of the control board, check voltages between the pins for the following components: (Refer to figure 1)

Circuit	Pin Number	Pin Number	Output Voltage
Compressor	Con 1 Pin 1	Con 1 Pin 3	115 VAC
Defrost Heater	Con 2 Pin 7	Con 1 Pin 3	115 VAC
R LAMP	Con 2 Pin 3	Con 1 Pin 3	115 VAC
Ice Maker	Con 1 Pin 7	Con 1 Pin 5	115 VAC

CONNECTOR 1						
PIN	11	9	7	5	3	1
	N	L1	L(I/M)	N(I/M)	N	COMP

CONNECTOR 2				
PIN	1	3	5	7
	N/C	DOOR LAMP	N/C	DEF-HTR

NOTE: When the door of the refrigerator is left open for 7 minutes or longer, the lamp of the refrigerator turns off automatically.

2. Door Monitor Circuit (LV)

Refrigerator	Measurement between pins 4 and 3 Con 8
Door Close	0 volts
Door Open	5 volts

CONNECTOR 8				
PIN	1	2	3	4
	RT-SNR		R-DOOR S/W	

8-2-3 Temperature Sensor Circuit (Refer to figure 2)

Voltage supplied to each sensor will range between 0.5 volts -22°F(-30°C) and 4.5 volts 122°F(50°C) depending upon the temperature in the compartments. A measurement of 0 volts indicates a short in the sensor circuit. A measurement of 5 volts indicates an open in the sensor circuit.

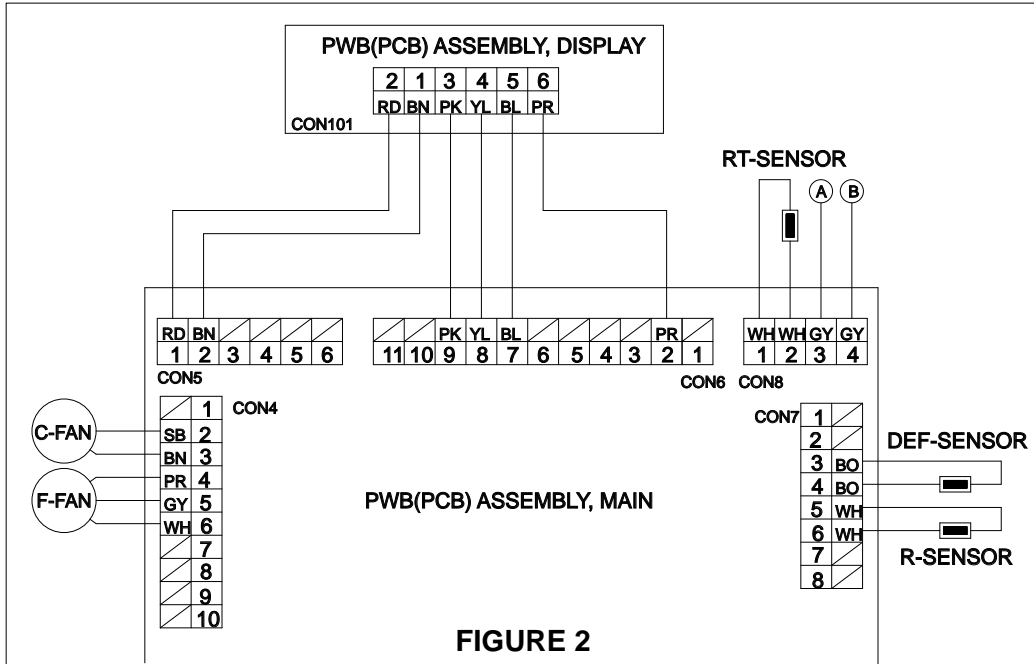


FIGURE 2

CONNECTOR 7								
PIN	1	2	3	4	5	6	7	8
	N/C	N/C	D-SNR		R-SNR		N/C	N/C

CONNECTOR 8				
PIN	1	2	3	4
	RT-SNR		R-DOOR S/W	

To measure the outputs of the sensors, check the voltages between the pins as in the table. And refer the values in the section **“RESISTANCE SPECIFICATION OF SENSOR”**

SENSOR	Pin Number	Pin Number
D-SNR	Con 7 Pin 3	Con 7 Pin 4
R-SNR	Con 7 Pin 5	Con 7 Pin 6
RT-SNR	Con 8 Pin 1	Con 8 Pin 2

To measure the outputs of the fans on the control boards check the voltages between the pins for the following components:

FAN	PIN NUMBER	PIN NUMBER	OUTPUT VOLTAGE	
			MOTOR ON	MOTOR OFF
Freezer Fan	Con 4 pin 5	Con 4 pin 6	10 - 14 VCD	2 VCD or less
Cooling Fan	Con 4 pin 2	Con 4 pin 3	10 - 14 VCD	2 VCD or less

CONNECTOR 4										
PIN	1	2	3	4	5	6	7	8	9	10
	C-FAN			F-FAN			N/C			
	N/C	G	V	F	G	V	N/C	N/C	N/C	N/C

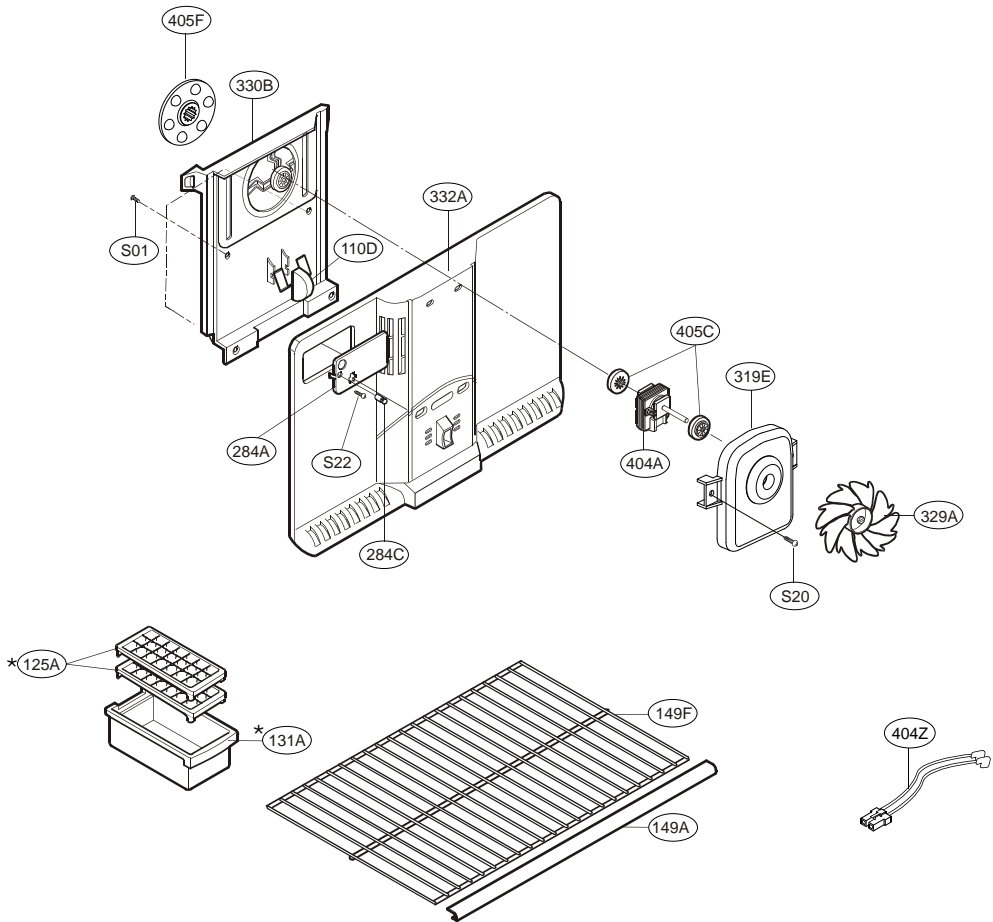
8-3 RESISTANCE SPECIFICATION OF SENSOR

TEMPERATURE	RESISTANCE OF REFRIGERATOR & DEFROST SENSOR	VOLTAGE
-20 °C (-4 °F)	77 K	3.73
-15 °C (5 °F)	60 K	3.49
-10 °C (14 °F)	47.3 K	3.22
-5 °C (23 °F)	38.4 K	2.95
0 °C (32 °F)	30 K	2.67
5 °C (41 °F)	24.1 K	2.4
10 °C (50 °F)	19.5 K	2.14
15 °C (59 °F)	15.9 K	1.89
20 °C (68 °F)	13 K	1.66
25 °C (77 °F)	11 K	1.46
30 °C (86 °F)	8.9 K	1.27
40 °C (104 °F)	6.2 K	0.96
50 °C (122 °F)	4.3 K	0.72

- The resistance of the SENSOR has a $\pm 5\%$ common difference.
- Temperature of the SENSOR must be stabilized for minimum of 3 minutes before accurate measurement can be taken.

FREEZER PARTS

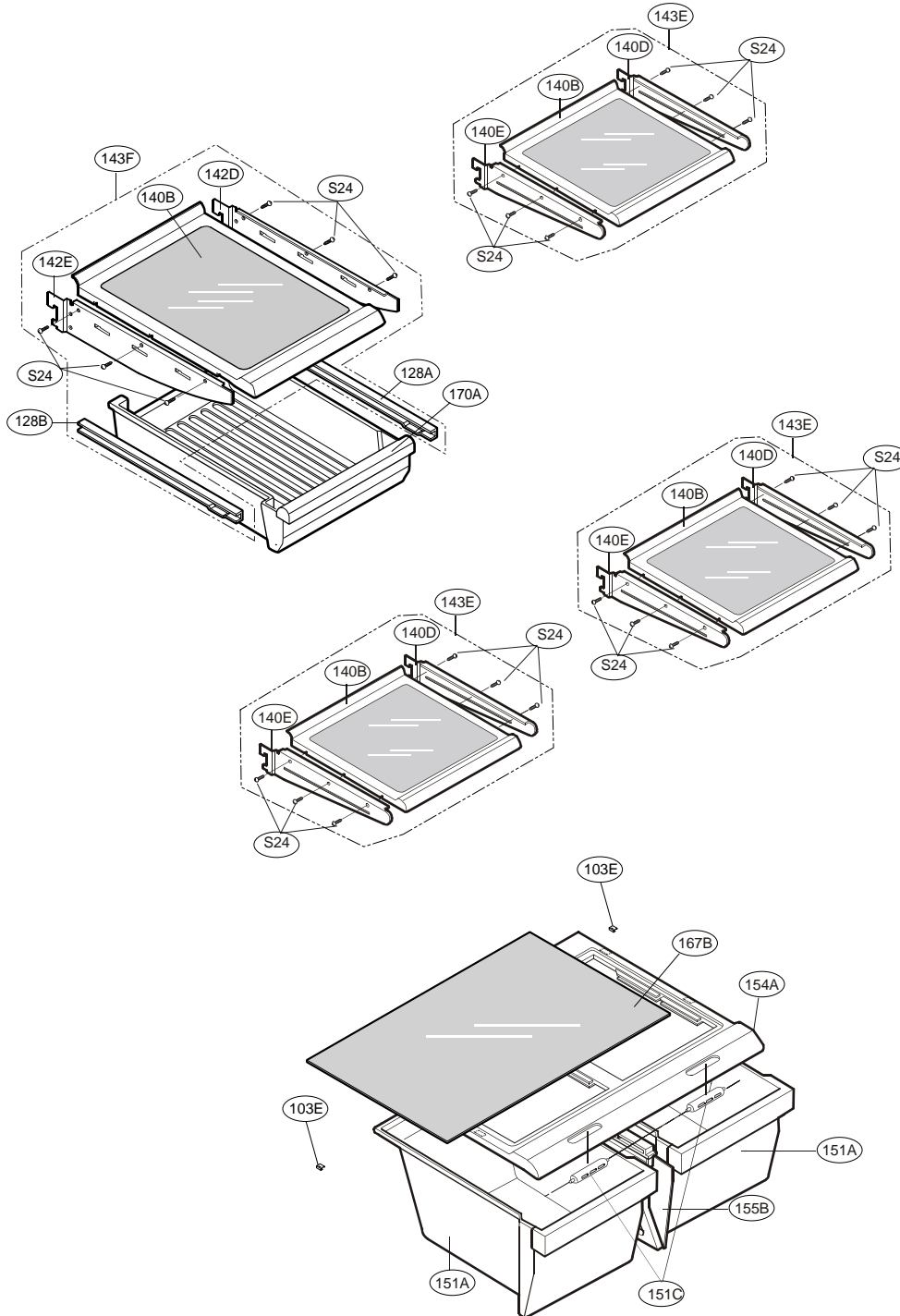
CAUTION: Use the part number to order part, not the position number



* Only Ready models

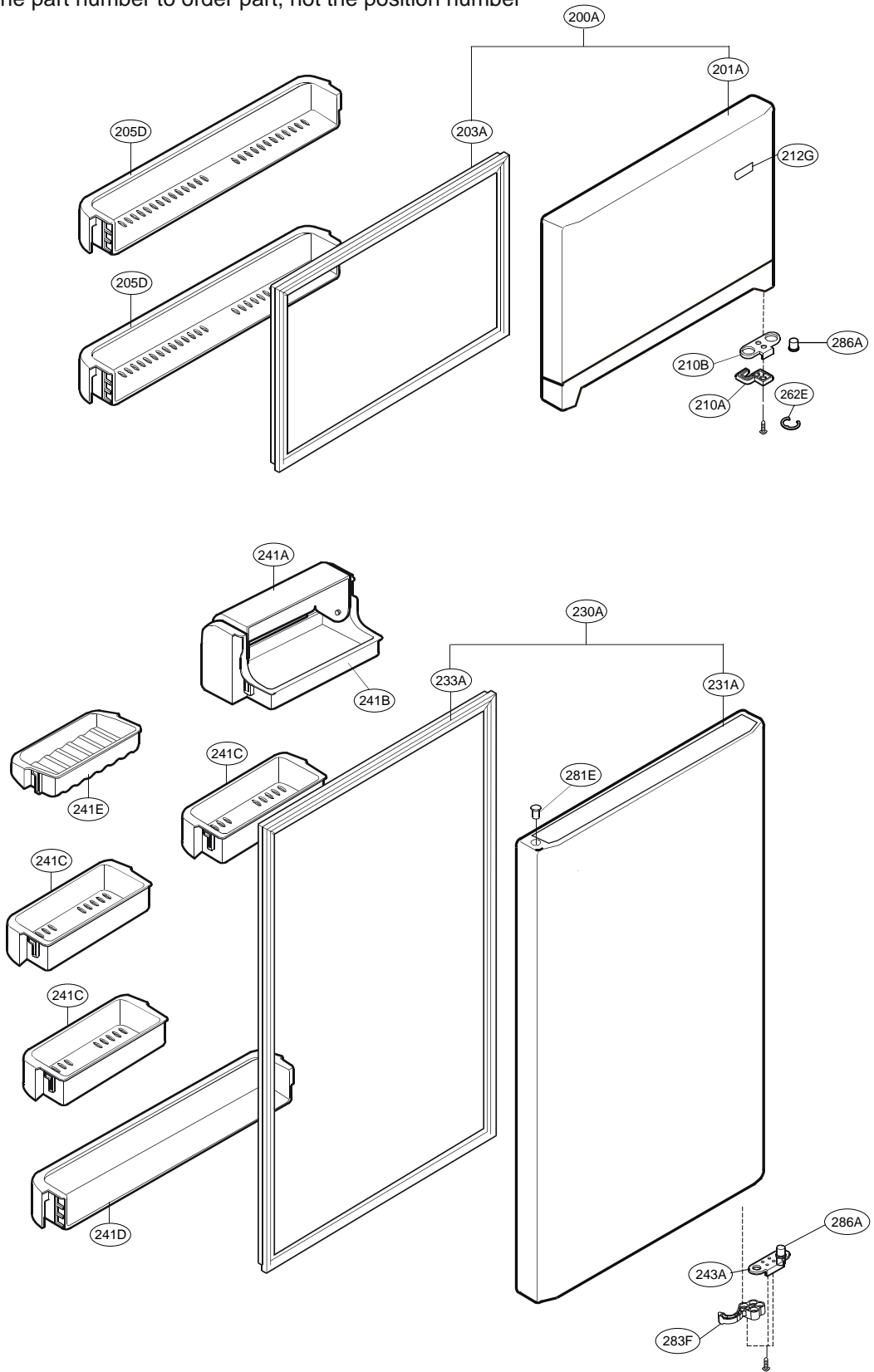
REFRIGERATOR PARTS

CAUTION: Use the part number to order part, not the position number



DOOR PARTS

CAUTION: Use the part number to order part, not the position number



ICE MAKER PARTS

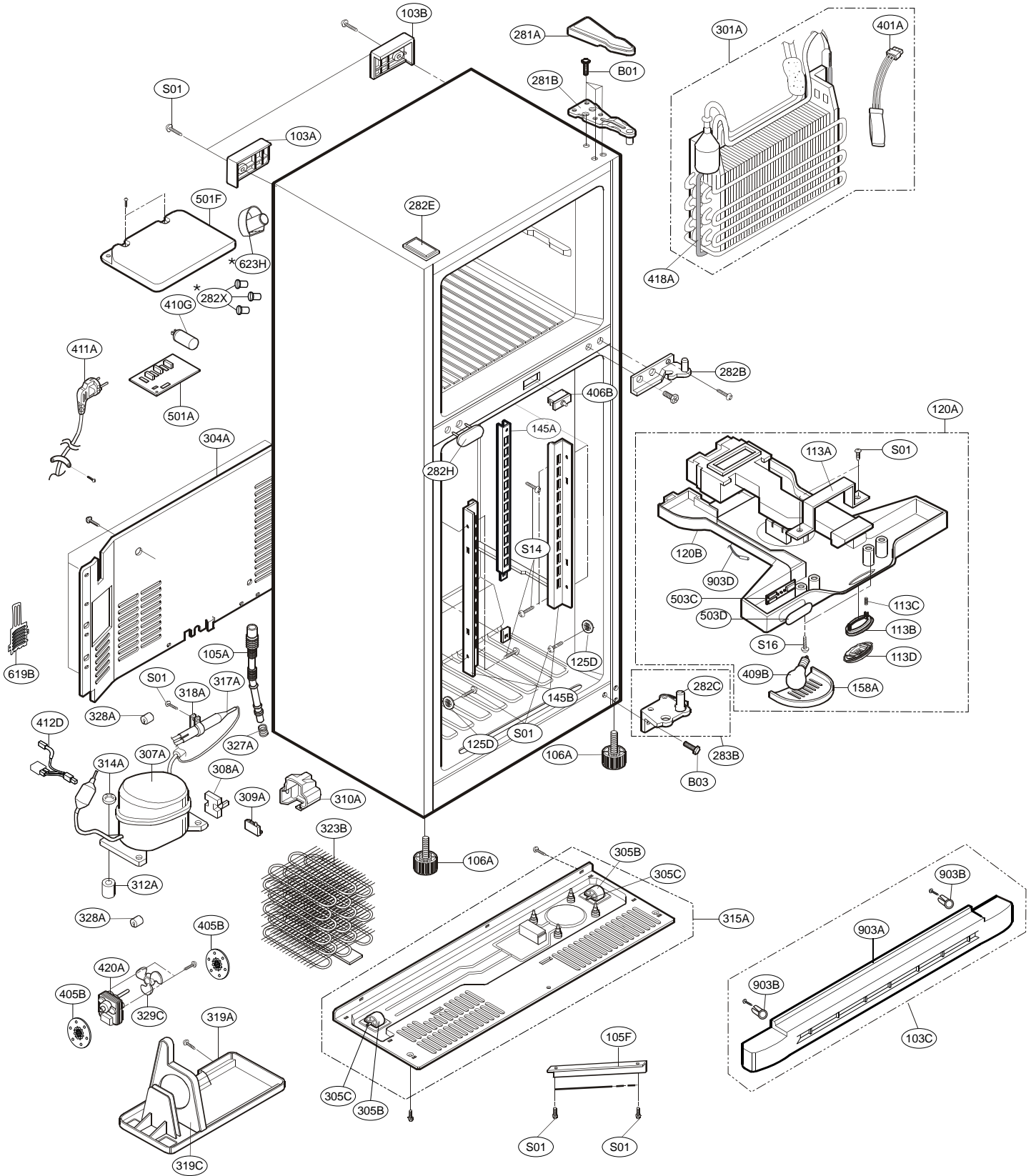
CAUTION: Use the part number to order part, not the position number



EXPLODED VIEW (Best Models)

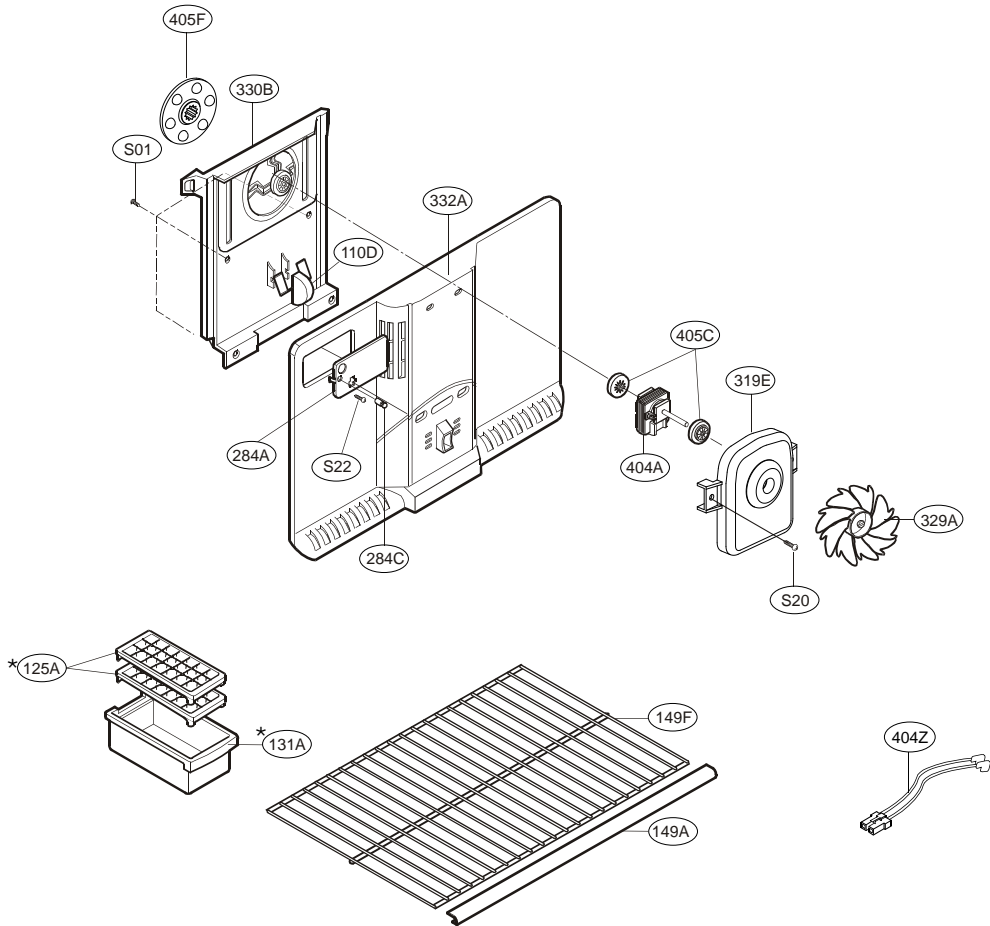
CASE PARTS

CAUTION: Use the part number to order part, not the position number



FREEZER PARTS

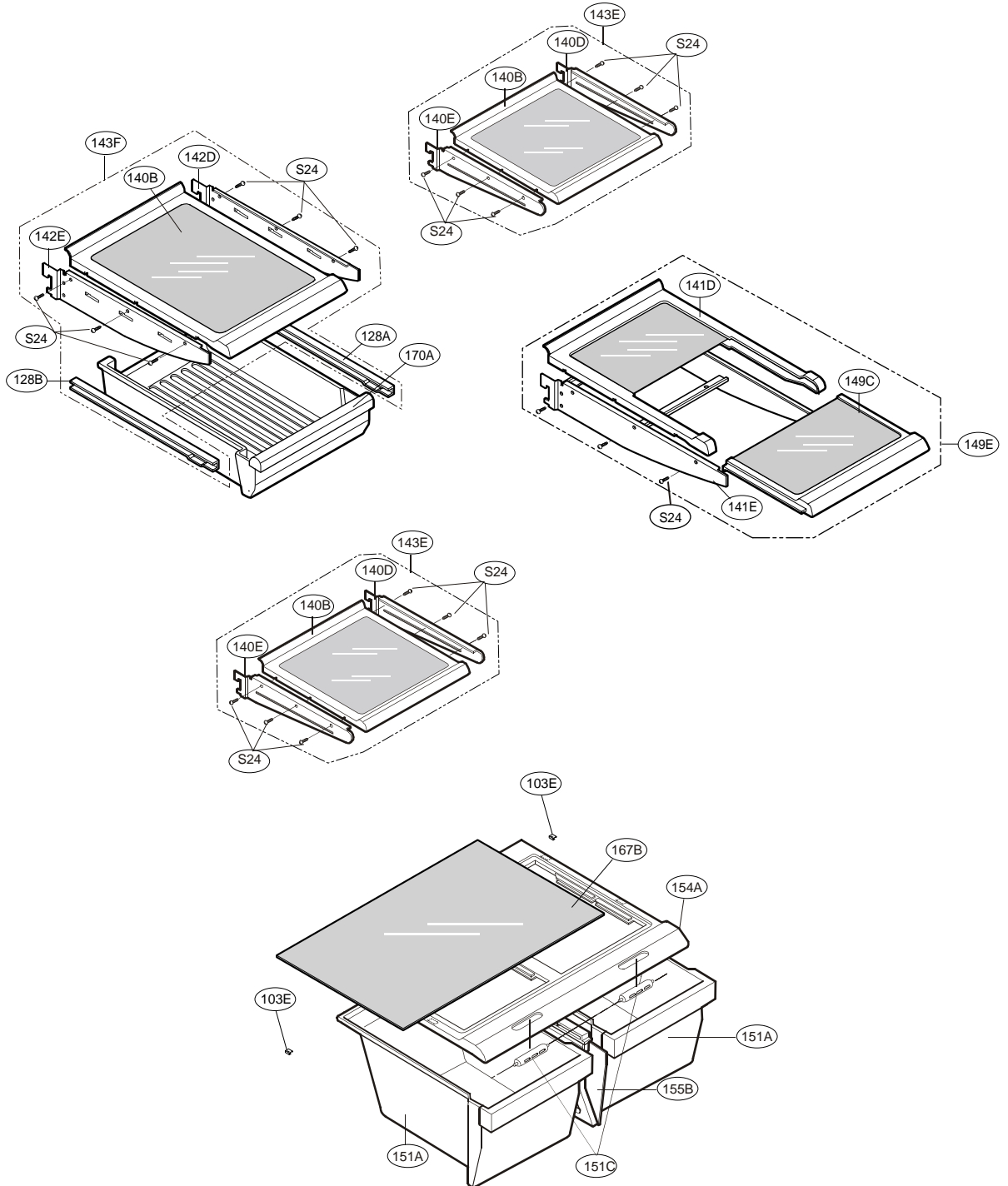
CAUTION: Use the part number to order part, not the position number



* Only Ready models

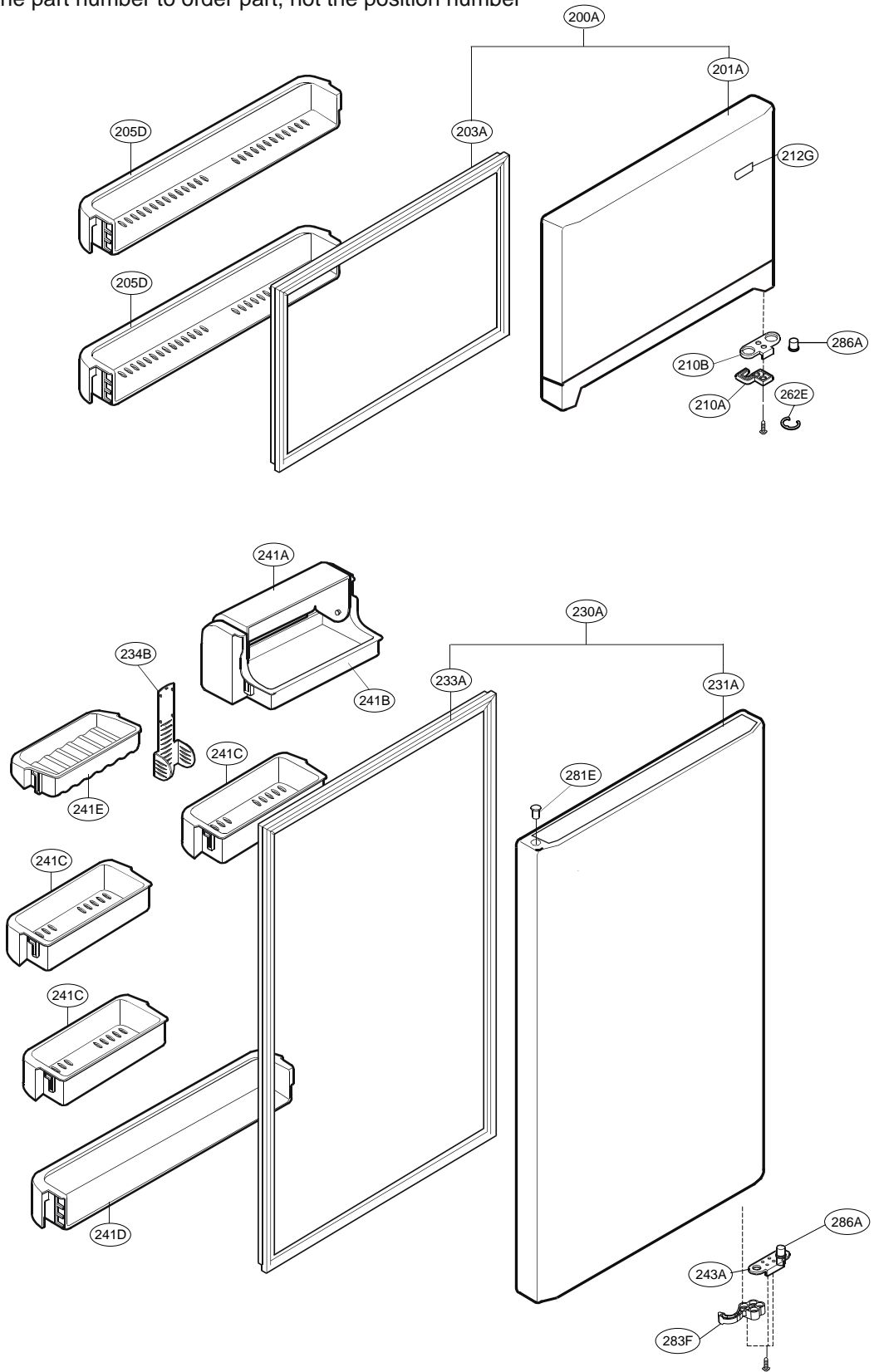
REFRIGERATOR PARTS

CAUTION: Use the part number to order part, not the position number



DOOR PARTS

CAUTION: Use the part number to order part, not the position number



ICE MAKER PARTS

CAUTION: Use the part number to order part, not the position number



Loc No.	Part No.	Description	Loc No.	Part No.	Description
103A	3650JJ2003E	Handle,Rear	282X	5006JJ3010A	Cap,Handle
103B	3650JJ2003A	Handle,Rear	283B	4775JJ2013B	Hinge Assembly,Lower
103C	3551JJ1015A	Cover Assembly,Lower	283F	4620JJ2007A	Stopper,Door
103E	5218JJ3001A	Rail,Slide	284A	3550JJ2023A	Cover,Grille Fan
105A	5251JA3003B	Tube Assembly,Drain	284C	5006JA3080A	Cap,Screw
105F	5070JJ3002A	Skirt,Lower	286A	4984JJ3003A	BUSH
106A	4779JA2003A	Leg Assembly,Adjust	286A	4984JJ3003A	BUSH
110D	4940JL2001C	Knob,Shutter	301A	5421JJ0003A	Evaporator Assembly
113A	4930JJ2008A	Holder,Bracket	304A	3551JJ2008A	Cover Assembly,Machinery(Rear)
113B	4930JJ2005A	Holder,Gasket	305B	4580JJ3001A	Roller
113C	4970JA3016A	Spring	305B	4580JJ3001A	Roller
113D	4986JJ2003B	Gasket,Betta	305C	4J04238A	Pin,Common
120A	4995JJ1004B	Case Assembly,Control Refrigerator	307A	TCA33414101	Compressor,Set Assembly
120B	4994JJ0003A	Case,Control Refrigerator	308A	6748C-0004D	Thermistor Assembly,PTC
125A	3390JJ1023A	Tray,Ice	309A	6750C-0005P	Overload Protect
125D	4930JJ3007A	Holder,Bracket	310A	3550JA2059A	Cover,PTC
128A	4975JJ2002A	Guide Assembly,Rail	312A	5040JA3031A	Damper,Compressor
128B	4975JJ2002B	Guide Assembly,Rail	314A	4620JA3009A	Stopper,Compressor
131A	5074JJ1006A	Bucket,Ice	315A	3103JJ1001K	Base Assembly,Compressor
140B	5027JJ1037A	Shelf Assembly,Refrigerator	317A	5851JJ2002F	Drier Assembly
140D	MHL38615403	Shelf,Net	318A	4930JA3034A	Holder,Drier
140E	MHL38615404	Shelf,Net	319A	3390JJ0004A	Tray,Drip
142D	5026JJ2001L	Shelf,Net	319C	MEA41997401	Guide,Fan
142E	5026JJ2001M	Shelf,Net	319E	4810JJ2005A	Bracket,Motor
143E	5027JJ1013G	Shelf Assembly,Refrigerator	323B	5403JJ1008A	Condenser Assembly,Wire
143F	5027JJ1013P	Shelf Assembly,Refrigerator	327A	5006JA3034A	Cap,Drain Tube
145A	4930JJ2003A	Holder,Shelf	328A	4J03020A	Damper,Pipe
145B	4930JJ2004A	Holder,Shelf	329A	5901JJ1003A	Fan Assembly
149A	3806JJ3001A	DECOR,SHELF	329C	ADP36665702	Fan Assembly
149F	5026JJ1196A	SHELF,FREEZER	330B	MHN58555001	Shroud,Freezer
151A	3391JJ1020A	Tray Assembly,Vegetable	332A	3531JJ1006F	Grille Assembly,Fan
151C	4940JJ2003C	KNOB,SHUTTER	401A	4781JK2001A	Controller Assembly
154A	MCK61620301	Cover,TV	404A	4681JK1004A	AC Motor
155B	4980JJ1010A	Supporter,Cover TV	404Z	6877JB1223F	Harness Assembly
158A	3550JJ2027A	Cover,Lamp	405B	5040JJ2001A	Damper,Motor Support
167B	4890JL1002U	SHELF,GLASS	405C	5040JA2009B	Damper,Motor Support
170A	3391JJ2004G	Tray Assembly,Meat	405F	5040JA2004B	Damper,Motor Support
200A	ADC71006701	Door Assembly,Freezer	406B	6600JB2004A	Switch,Push Button
201A	5433JJ0086A	Door Foam Assembly,Freezer	409B	6912JK2002E	Lamp,Incandescent
203A	ADX52752611	Gasket Assembly,Door	410G	0CZZJB2012J	Capacitor,Electric Appliance Film,Box
205D	5004JJ1015A	Basket,Door	411A	6411JK1006A	Power Cord Assembly
210A	4620JJ2009A	Stopper,Door	412D	6877JK2011D	Harness Assembly
210B	4974JA3031B	Guide,Stopper	418A	5300JK1003D	Heater,Sheath
212G	4140JD1031A	Name Plate	420A	4681JB1029J	Motor,DC
230A	ADC71006906	Door Assembly,Refrigerator	501A	EBR41531306	PCB Assembly,Main
231A	ADD71007006	Door Foam Assembly,Refrigerator	501F	3551JJ1020A	Cover Assembly,PCB
233A	ADX52752610	Gasket Assembly,Door	503C	6871JB2036D	PCB Assembly,Display
241A	3550JJ1030A	Cover,Tray	503D	3110JJ2003A	Case,Display
241B	5004JJ1037A	Basket,Door	619B	3550JJ2024A	Cover,Valve
241C	5004JJ1014A	Basket,Door	623H	5006JA3085A	Cap,Cover
241D	5004JJ1016A	Basket,Door	903A	3550JJ0005A	Cover,Lower
241E	5004JJ1039A	Basket,Door	903B	4930JJ2021A	Holder,Cover(Lower)
243A	4620JJ3006A	Stopper,Door	903D	6500JK1003A	Sensor,Temperature
262E	4350JA3005B	Ring	B01	J351-00004L	Screw,Customized
281A	3550JJ2013A	Cover,Hinge	B03	J351-00004P	Screw,Customized
281B	4775JJ2003B	Hinge Assembly,Upper	S01	4J00415D	Screw,Customized
281E	5006JJ3003A	Cap,Hinge	S14	3J05696W	Screw,Customized
282B	4775JJ2002A	Hinge Assembly,Center	S16	1TCL0302818	Screw,Tapping
282C	1PZZJJ3002F	Pin,Common	S20	4001JA3001A	Screw Assembly
282E	5006JJ2001A	Cap,Hinge	S22	4J01425A	Screw,Customized
282H	5006JJ3004A	Cap,Hinge	S24	1SZZJA3011B	Screw,Customized

Loc No.	Part No.	Description	Loc No.	Part No.	Description
103A	3650JJ2003F	Handle,Rear	282X	5006JJ3010A	Cap,Handle
103B	3650JJ2003B	Handle,Rear	283B	4775JJ2013B	Hinge Assembly,Lower
103C	3551JJ1015C	Cover Assembly,Lower	283F	4620JJ2007A	Stopper,Door
103E	5218JJ3001A	Rail,Slide	284A	3550JJ2023A	Cover,Grille Fan
105A	5251JA3003B	Tube Assembly,Drain	284C	5006JA3080A	Cap,Screw
105F	5070JJ3002A	Skirt,Lower	286A	4984JJ3003A	BUSH
106A	4779JA2003A	Leg Assembly,Adjust	286A	4984JJ3003A	BUSH
110D	4940JL2001C	Knob,Shutter	301A	5421JJ0003A	Evaporator Assembly
113A	4930JJ2008A	Holder,Bracket	304A	3551JJ2008A	Cover Assembly,Machinery(Rear)
113B	4930JJ2005A	Holder,Gasket	305B	4580JJ3001A	Roller
113C	4970JA3016A	Spring	305B	4580JJ3001A	Roller
113D	4986JJ2003B	Gasket,Betta	305C	4J04238A	Pin,Common
120A	4995JJ1004B	Case Assembly,Control Refrigerator	307A	TCA33414101	Compressor,Set Assembly
120B	4994JJ0003A	Case,Control Refrigerator	308A	6748C-0004D	Thermistor Assembly,PTC
125A	3390JJ1023A	Tray,Ice	309A	6750C-0005P	Overload Protect
125D	4930JJ3007A	Holder,Bracket	310A	3550JA2059A	Cover,PTC
128A	4975JJ2002A	Guide Assembly,Rail	312A	5040JA3031A	Damper,Compressor
128B	4975JJ2002B	Guide Assembly,Rail	314A	4620JA3009A	Stopper,Compressor
131A	5074JJ1006A	Bucket,Ice	315A	3103JJ1001K	Base Assembly,Compressor
140B	5027JJ1037A	Shelf Assembly,Refrigerator	317A	5851JJ2002F	Drier Assembly
140D	MHL38615403	Shelf,Net	318A	4930JA3034A	Holder,Drier
140E	MHL38615404	Shelf,Net	319A	3390JJ0004A	Tray,Drip
142D	5026JJ2001L	Shelf,Net	319C	MEA41997401	Guide,Fan
142E	5026JJ2001M	Shelf,Net	319E	4810JJ2005A	Bracket,Motor
143E	5027JJ1013G	Shelf Assembly,Refrigerator	323B	5403JJ1008A	Condenser Assembly,Wire
143F	5027JJ1013P	Shelf Assembly,Refrigerator	327A	5006JA3034A	Cap,Drain Tube
145A	4930JJ2003A	Holder,Shelf	328A	4J03020A	Damper,Pipe
145B	4930JJ2004A	Holder,Shelf	329A	5901JJ1003A	Fan Assembly
149A	3806JJ3001A	DECOR,SHELF	329C	ADP36665702	Fan Assembly
149F	5026JJ1196A	SHELF,FREEZER	330B	MHN58555001	Shroud,Freezer
151A	3391JJ1020A	Tray Assembly,Vegetable	332A	3531JJ1006F	Grille Assembly,Fan
151C	4940JJ2003C	KNOB,SHUTTER	401A	4781JK2001A	Controller Assembly
154A	MCK61620301	Cover,TV	404A	4681JK1004A	AC Motor
155B	4980JJ1010A	Supporter,Cover TV	404Z	6877JB1223F	Harness Assembly
158A	3550JJ2027A	Cover,Lamp	405B	5040JJ2001A	Damper,Motor Support
167B	4890JL1002U	SHELF,GLASS	405C	5040JA2009B	Damper,Motor Support
170A	3391JJ2004G	Tray Assembly,Meat	405F	5040JA2004B	Damper,Motor Support
200A	ADC71006703	Door Assembly,Freezer	406B	6600JB2004D	Switch,Push Button
201A	ADD71006803	Door Foam Assembly,Freezer	409B	6912JK2002E	Lamp,Incandescent
203A	ADX52752611	Gasket Assembly,Door	410G	0CZZJB2012J	Capacitor,Electric Appliance Film,Box
205D	5004JJ1015A	Basket,Door	411A	6411JK1006A	Power Cord Assembly
210A	4620JJ2009A	Stopper,Door	412D	6877JK2011D	Harness Assembly
210B	4974JA3031B	Guide,Stopper	418A	5300JK1003D	Heater,Sheath
212G	4140JD1031A	Name Plate	420A	4681JB1029J	Motor,DC
230A	ADC71006908	Door Assembly,Refrigerator	501A	EBR41531306	PCB Assembly,Main
231A	ADD71007008	Door Foam Assembly,Refrigerator	501F	3551JJ1020A	Cover Assembly,PCB
233A	ADX52752610	Gasket Assembly,Door	503C	6871JB2036D	PCB Assembly,Display
241A	3550JJ1030A	Cover,Tray	503D	3110JJ2003A	Case,Display
241B	5004JJ1037A	Basket,Door	619B	3550JJ2024A	Cover,Valve
241C	5004JJ1014A	Basket,Door	623H	5006JA3085A	Cap,Cover
241D	5004JJ1016A	Basket,Door	903A	3550JJ0005B	Cover,Lower
241E	5004JJ1039A	Basket,Door	903B	4930JJ2021A	Holder,Cover(Lower)
243A	4620JJ3006B	Stopper,Door	903D	6500JK1003A	Sensor,Temperature
262E	4350JA3005B	Ring	B01	J351-00004L	Screw,Customized
281A	3550JJ2013B	Cover,Hinge	B03	J351-00004P	Screw,Customized
281B	4775JJ2003B	Hinge Assembly,Upper	S01	4J00415D	Screw,Customized
281E	5006JJ3003D	Cap,Hinge	S14	3J05696W	Screw,Customized
282B	4775JJ2002A	Hinge Assembly,Center	S16	1TCL0302818	Screw,Tapping
282C	1PZZJJ3002F	Pin,Common	S20	4001JA3001A	Screw Assembly
282E	5006JJ2001E	Cap,Hinge	S22	4J01425A	Screw,Customized
282H	5006JJ3004A	Cap,Hinge	S24	1SZZJA3011B	Screw,Customized

Loc No.	Part No.	Description	Loc No.	Part No.	Description
103A	3650JJ2003H	Handle,Rear	282X	5006JJ3010A	Cap,Handle
103B	3650JJ2003D	Handle,Rear	283B	4775JJ2013B	Hinge Assembly,Lower
103C	3551JJ1015G	Cover Assembly,Lower	283F	4620JJ2007A	Stopper,Door
103E	5218JJ3001A	Rail,Slide	284A	3550JJ2023A	Cover,Grille Fan
105A	5251JA3003B	Tube Assembly,Drain	284C	5006JA3080A	Cap,Screw
105F	5070JJ3002A	Skirt,Lower	286A	4984JJ3003A	BUSH
106A	4779JA2003A	Leg Assembly,Adjust	286A	4984JJ3003A	BUSH
110D	4940JL2001C	Knob,Shutter	301A	5421JJ0003A	Evaporator Assembly
113A	4930JJ2008A	Holder,Bracket	304A	3551JJ2008A	Cover Assembly,Machinery(Rear)
113B	4930JJ2005A	Holder,Gasket	305B	4580JJ3001A	Roller
113C	4970JA3016A	Spring	305B	4580JJ3001A	Roller
113D	4986JJ2003B	Gasket,Betta	305C	4J04238A	Pin,Common
120A	4995JJ1004B	Case Assembly,Control Refrigerator	307A	TCA33414101	Compressor,Set Assembly
120B	4994JJ0003A	Case,Control Refrigerator	308A	6748C-0004D	Thermistor Assembly,PTC
125A	3390JJ1023A	Tray,Ice	309A	6750C-0005P	Overload Protect
125D	4930JJ3007A	Holder,Bracket	310A	3550JA2059A	Cover,PTC
128A	4975JJ2002A	Guide Assembly,Rail	312A	5040JA3031A	Damper,Compressor
128B	4975JJ2002B	Guide Assembly,Rail	314A	4620JA3009A	Stopper,Compressor
131A	5074JJ1006A	Bucket,Ice	315A	3103JJ1001K	Base Assembly,Compressor
140B	5027JJ1037A	Shelf Assembly,Refrigerator	317A	5851JJ2002F	Drier Assembly
140D	MHL38615403	Shelf,Net	318A	4930JA3034A	Holder,Drier
140E	MHL38615404	Shelf,Net	319A	3390JJ0004A	Tray,Drip
142D	5026JJ2001L	Shelf,Net	319C	MEA41997401	Guide,Fan
142E	5026JJ2001M	Shelf,Net	319E	4810JJ2005A	Bracket,Motor
143E	5027JJ1013G	Shelf Assembly,Refrigerator	323B	5403JJ1008A	Condenser Assembly,Wire
143F	5027JJ1013P	Shelf Assembly,Refrigerator	327A	5006JA3034A	Cap,Drain Tube
145A	4930JJ2003A	Holder,Shelf	328A	4J03020A	Damper,Pipe
145B	4930JJ2004A	Holder,Shelf	329A	5901JJ1003A	Fan Assembly
149A	3806JJ3001A	DECOR,SHELF	329C	ADP36665702	Fan Assembly
149F	5026JJ1196A	SHELF,FREEZER	330B	MHN58555001	Shroud,Freezer
151A	3391JJ1020A	Tray Assembly,Vegetable	332A	3531JJ1006F	Grille Assembly,Fan
151C	4940JJ2003C	KNOB,SHUTTER	401A	4781JK2001A	Controller Assembly
154A	MCK61620301	Cover,TV	404A	4681JK1004A	AC Motor
155B	4980JJ1010A	Supporter,Cover TV	404Z	6877JB1223F	Harness Assembly
158A	3550JJ2027A	Cover,Lamp	405B	5040JJ2001A	Damper,Motor Support
167B	4890JL1002U	SHELF,GLASS	405C	5040JA2009B	Damper,Motor Support
170A	3391JJ2004G	Tray Assembly,Meat	405F	5040JA2004B	Damper,Motor Support
200A	ADC71006704	Door Assembly,Freezer	406B	6600JB2004C	Switch,Push Button
201A	ADD71006804	Door Foam Assembly,Freezer	409B	6912JK2002E	Lamp,Incandescent
203A	ADX52752615	Gasket Assembly,Door	410G	0CZZJB2012J	Capacitor,Electric Appliance Film,Box
205D	5004JJ1015A	Basket,Door	411A	6411JK1006A	Power Cord Assembly
210A	4620JJ2009A	Stopper,Door	412D	6877JK2011D	Harness Assembly
210B	4974JA3031B	Guide,Stopper	418A	5300JK1003D	Heater,Sheath
212G	4140JD1031A	Name Plate	420A	4681JB1029J	Motor,DC
230A	ADC71006909	Door Assembly,Refrigerator	501A	EBR41531306	PCB Assembly,Main
231A	ADD71007009	Door Foam Assembly,Refrigerator	501F	3551JJ1020A	Cover Assembly,PCB
233A	ADX52752614	Gasket Assembly,Door	503C	6871JB2036D	PCB Assembly,Display
241A	3550JJ1030A	Cover,Tray	503D	3110JJ2003A	Case,Display
241B	5004JJ1037A	Basket,Door	619B	3550JJ2024A	Cover,Valve
241C	5004JJ1014A	Basket,Door	623H	5006JA3085A	Cap,Cover
241D	5004JJ1016A	Basket,Door	903A	3550JJ0005D	Cover,Lower
241E	5004JJ1039A	Basket,Door	903B	4930JJ2021A	Holder,Cover(Lower)
243A	4620JJ3006D	Stopper,Door	903D	6500JK1003A	Sensor,Temperature
262E	4350JA3005B	Ring	B01	J351-00004L	Screw,Customized
281A	3550JJ2013D	Cover,Hinge	B03	J351-00004P	Screw,Customized
281B	4775JJ2003B	Hinge Assembly,Upper	S01	4J00415D	Screw,Customized
281E	5006JJ3003F	Cap,Hinge	S14	3J05696W	Screw,Customized
282B	4775JJ2002A	Hinge Assembly,Center	S16	1TCL0302818	Screw,Tapping
282C	1PZZJJ3002F	Pin,Common	S20	4001JA3001A	Screw Assembly
282E	5006JJ2001G	Cap,Hinge	S22	4J01425A	Screw,Customized
282H	5006JJ3004F	Cap,Hinge	S24	1SZZJA3011B	Screw,Customized

Loc No.	Part No.	Description	Loc No.	Part No.	Description
103A	3650JJ2003M	Handle,Rear	282X	5006JJ3010A	Cap,Handle
103B	3650JJ2003L	Handle,Rear	283B	4775JJ2013B	Hinge Assembly,Lower
103C	3551JJ1015E	Cover Assembly,Lower	283F	4620JJ2007B	Stopper,Door
103E	5218JJ3001A	Rail,Slide	284A	3550JJ2023A	Cover,Grille Fan
105A	5251JA3003B	Tube Assembly,Drain	284C	5006JA3080A	Cap,Screw
105F	5070JJ3002A	Skirt,Lower	286A	4984JJ3003A	BUSH
106A	4779JA2003A	Leg Assembly,Adjust	286A	4984JJ3003A	BUSH
110D	4940JL2001C	Knob,Shutter	301A	5421JJ0003A	Evaporator Assembly
113A	4930JJ2008A	Holder,Bracket	304A	3551JJ2008A	Cover Assembly,Machinery(Rear)
113B	4930JJ2005A	Holder,Gasket	305B	4580JJ3001A	Roller
113C	4970JA3016A	Spring	305B	4580JJ3001A	Roller
113D	4986JJ2003B	Gasket,Betta	305C	4J04238A	Pin,Common
120A	4995JJ1004B	Case Assembly,Control Refrigerator	307A	TCA33414101	Compressor,Set Assembly
120B	4994JJ0003A	Case,Control Refrigerator	308A	6748C-0004D	Thermistor Assembly,PTC
125A	3390JJ1023A	Tray,Ice	309A	6750C-0005P	Overload Protect
125D	4930JJ3007A	Holder,Bracket	310A	3550JA2059A	Cover,PTC
128A	4975JJ2002A	Guide Assembly,Rail	312A	5040JA3031A	Damper,Compressor
128B	4975JJ2002B	Guide Assembly,Rail	314A	4620JA3009A	Stopper,Compressor
131A	5074JJ1006A	Bucket,Ice	315A	3103JJ1001K	Base Assembly,Compressor
140B	5027JJ1037A	Shelf Assembly,Refrigerator	317A	5851JJ2002F	Drier Assembly
140D	MHL38615403	Shelf,Net	318A	4930JA3034A	Holder,Drier
140E	MHL38615404	Shelf,Net	319A	3390JJ0004A	Tray,Drip
142D	5026JJ2001L	Shelf,Net	319C	MEA41997401	Guide,Fan
142E	5026JJ2001M	Shelf,Net	319E	4810JJ2005A	Bracket,Motor
143E	5027JJ1013G	Shelf Assembly,Refrigerator	323B	5403JJ1008A	Condenser Assembly,Wire
143F	5027JJ1013P	Shelf Assembly,Refrigerator	327A	5006JA3034A	Cap,Drain Tube
145A	4930JJ2003A	Holder,Shelf	328A	4J03020A	Damper,Pipe
145B	4930JJ2004A	Holder,Shelf	329A	5901JJ1003A	Fan Assembly
149A	3806JJ3001A	DECOR,SHELF	329C	ADP36665702	Fan Assembly
149F	5026JJ1196A	SHELF,FREEZER	330B	MHN58555001	Shroud,Freezer
151A	3391JJ1020A	Tray Assembly,Vegetable	332A	3531JJ1006F	Grille Assembly,Fan
151C	4940JJ2003C	KNOB,SHUTTER	401A	4781JK2001A	Controller Assembly
154A	MCK61620301	Cover,TV	404A	4681JK1004A	AC Motor
155B	4980JJ1010A	Supporter,Cover TV	404Z	6877JB1223F	Harness Assembly
158A	3550JJ2027A	Cover,Lamp	405B	5040JJ2001A	Damper,Motor Support
167B	4890JL1002U	SHELF,GLASS	405C	5040JA2009B	Damper,Motor Support
170A	3391JJ2004G	Tray Assembly,Meat	405F	5040JA2004B	Damper,Motor Support
200A	ADC71006702	Door Assembly,Freezer	406B	6600JB2004B	Switch,Push Button
201A	5433JJ0086B	Door Foam Assembly,Freezer	409B	6912JK2002E	Lamp,Incandescent
203A	ADX52752613	Gasket Assembly,Door	410G	0CZZJB2012J	Capacitor,Electric Appliance Film,Box
205D	5004JJ1015A	Basket,Door	411A	6411JK1006A	Power Cord Assembly
210A	4620JJ2009B	Stopper,Door	412D	6877JK2011D	Harness Assembly
210B	4974JA3031B	Guide,Stopper	418A	5300JK1003D	Heater,Sheath
212G	4140JD1031A	Name Plate	420A	4681JB1029J	Motor,DC
230A	ADC71006907	Door Assembly,Refrigerator	501A	EBR41531306	PCB Assembly,Main
231A	ADD71007007	Door Foam Assembly,Refrigerator	501F	3551JJ1020A	Cover Assembly,PCB
233A	ADX52752612	Gasket Assembly,Door	503C	6871JB2036D	PCB Assembly,Display
241A	3550JJ1030A	Cover,Tray	503D	3110JJ2003A	Case,Display
241B	5004JJ1037A	Basket,Door	619B	3550JJ2024A	Cover,Valve
241C	5004JJ1014A	Basket,Door	623H	5006JA3085A	Cap,Cover
241D	5004JJ1016A	Basket,Door	903A	3550JJ0005C	Cover,Lower
241E	5004JJ1039A	Basket,Door	903B	4930JJ2021A	Holder,Cover(Lower)
243A	4620JJ3006C	Stopper,Door	903D	6500JK1003A	Sensor,Temperature
262E	4350JA3005B	Ring	B01	J351-00004L	Screw,Customized
281A	3550JJ2013C	Cover,Hinge	B03	J351-00004P	Screw,Customized
281B	4775JJ2003B	Hinge Assembly,Upper	S01	4J00415D	Screw,Customized
281E	5006JJ3003E	Cap,Hinge	S14	3J05696W	Screw,Customized
282B	4775JJ2002A	Hinge Assembly,Center	S16	1TCL0302818	Screw,Tapping
282C	1PZZJJ3002F	Pin,Common	S20	4001JA3001A	Screw Assembly
282E	5006JJ2001F	Cap,Hinge	S22	4J01425A	Screw,Customized
282H	5006JJ3004E	Cap,Hinge	S24	1SZZJA3011B	Screw,Customized

Loc No.	Part No.	Description	Loc No.	Part No.	Description
103A	3650JJ2003E	Handle,Rear	282X	5006JJ3010A	Cap,Handle
103B	3650JJ2003A	Handle,Rear	283B	4775JJ2013B	Hinge Assembly,Lower
103C	3551JJ1015B	Cover Assembly,Lower	283F	4620JJ2007A	Stopper,Door
103E	5218JJ3001A	Rail,Slide	284A	3550JJ2023A	Cover,Grille Fan
105A	5251JA3003B	Tube Assembly,Drain	284C	5006JA3080A	Cap,Screw
105F	5070JJ3002A	Skirt,Lower	286A	4984JJ3003A	BUSH
106A	4779JA2003A	Leg Assembly,Adjust	301A	5421JJ0002A	Evaporator Assembly
110D	4940JL2001C	Knob,Shutter	304A	3551JJ2008B	Cover Assembly,Machinery(Rear)
113A	4930JJ2008A	Holder,Bracket	305B	4580JJ3001A	Roller
113B	4930JJ2005A	Holder,Gasket	305C	4J04238A	Pin,Common
113C	4970JA3016A	Spring	307A	TCA33414101	Compressor,Set Assembly
113D	4986JJ2003B	Gasket,Betta	308A	6748C-0004D	Thermistor Assembly,PTC
120A	4995JJ1004B	Case Assembly,Control Refrigerator	309A	6750C-0005P	Overload Protect
120B	4994JJ0003A	Case,Control Refrigerator	310A	3550JA2059A	Cover,PTC
125A	3390JJ1023A	Tray,Ice	312A	5040JA3031A	Damper,Compressor
125D	4930JJ3007A	Holder,Bracket	314A	4620JA3009A	Stopper,Compressor
128A	4975JJ2002A	Guide Assembly,Rail	315A	3103JJ1001J	Base Assembly,Compressor
128B	4975JJ2002B	Guide Assembly,Rail	317A	5851JJ2002F	Drier Assembly
131A	5074JJ1006A	Bucket,Ice	318A	4930JA3034A	Holder,Drier
140D	MHL38615403	Shelf,Net	319A	3390JJ0004A	Tray,Drip
140E	MHL38615404	Shelf,Net	319C	MEA41997401	Guide,Fan
142B	5027JJ1039A	Shelf Assembly,Refrigerator	319E	4810JJ2005A	Bracket,Motor
142D	5026JJ2001L	Shelf,Net	323B	5403JJ1008A	Condenser Assembly,Wire
142E	5026JJ2001M	Shelf,Net	327A	5006JA3034A	Cap,Drain Tube
143E	5027JJ1013H	Shelf Assembly,Refrigerator	328A	4J03020A	Damper,Pipe
143F	5027JJ1013S	Shelf Assembly,Refrigerator	328A	4J03020A	Damper,Pipe
145A	4930JJ2003A	Holder,Shelf	329A	5901JJ1003A	Fan Assembly
145B	4930JJ2004A	Holder,Shelf	329C	ADP36665702	Fan Assembly
149A	3806JJ3001B	Decor,Shelf	330B	MHN58555001	Shroud,Freezer
149F	MHL58275201	Shelf,Freezer	332A	3531JJ1005F	Grille Assembly,Fan
151A	3391JJ1020B	Tray Assembly,Vegetable	401A	4781JK2001A	Controller Assembly
151C	4940JJ2003C	KNOB,SHUTTER	404A	4681JK1004A	AC Motor
154A	MCK61620302	Cover,TV	404Z	6877JB1223F	Harness Assembly
155B	4980JJ1010A	Supporter,Cover TV	405B	5040JJ2001A	Damper,Motor Support
158A	3550JJ2027A	Cover,Lamp	405C	5040JA2009B	Damper,Motor Support
167B	4890JL1002V	Shelf,Glass	405F	5040JA2004B	Damper,Motor Support
170A	3391JJ2004H	Tray Assembly,Meat	406B	6600JB2004A	Switch,Push Button
200A	ADC71006706	Door Assembly,Freezer	409B	6912JK2002E	Lamp,Incandescent
201A	ADD71006806	Door Foam Assembly,Freezer	410G	0CZZJB2012J	Capacitor,Electric Appliance Film,Box
203A	ADX52752617	Gasket Assembly,Door	411A	6411JK1006A	Power Cord Assembly
205D	5004JJ1024A	Basket,Door	412D	6877JK2011D	Harness Assembly
210A	4620JJ2009A	Stopper,Door	418A	5300JK1003J	Heater,Sheath
210B	4974JA3031B	Guide,Stopper	420A	4681JB1029J	Motor,DC
212G	4140JD1031A	Name Plate	501A	EBR41531306	PCB Assembly,Main
230A	ADC71006916	Door Assembly,Refrigerator	501F	3551JJ1020A	Cover Assembly,PCB
231A	ADD71007016	Door Foam Assembly,Refrigerator	503C	6871JB2036D	PCB Assembly,Display
233A	ADX52752616	Gasket Assembly,Door	503D	3110JJ2003A	Case,Display
241A	3550JL2003M	Cover,Tray	619B	3550JJ2024A	Cover,Valve
241B	5004JJ1036A	Basket,Door	623H	5006JA3085A	Cap,Cover
241C	5004JJ1023A	Basket,Door	903A	3550JJ0006A	Cover,Lower
241D	5004JJ1025A	Basket,Door	903B	4930JJ2021A	Holder,Cover(Lower)
241E	5004JJ1038A	Basket,Door	903D	6500JK1003A	Sensor,Temperature
243A	4620JJ3006A	Stopper,Door	B01	J351-00004L	Screw,Customized
262E	4350JA3005B	Ring	B03	J351-00004P	Screw,Customized
281A	3550JJ2013A	Cover,Hinge	S01	4J00415D	Screw,Customized
281B	4775JJ2003B	Hinge Assembly,Upper	S14	3J05696W	Screw,Customized
281E	5006JJ3003A	Cap,Hinge	S16	1TCL0302818	Screw,Tapping
282B	4775JJ2002A	Hinge Assembly,Center	S20	4001JA3001A	Screw Assembly
282C	1PZZJJ3002F	Pin,Common	S22	4J01425A	Screw,Customized
282E	5006JJ2001A	Cap,Hinge	S24	1SZZJA3011B	Screw,Customized
282H	5006JJ3004A	Cap,Hinge			

Loc No.	Part No.	Description	Loc No.	Part No.	Description
103A	3650JJ2003F	Handle,Rear	282X	5006JJ3010A	Cap,Handle
103B	3650JJ2003B	Handle,Rear	283B	4775JJ2013B	Hinge Assembly,Lower
103C	3551JJ1015D	Cover Assembly,Lower	283F	4620JJ2007A	Stopper,Door
103E	5218JJ3001A	Rail,Slide	284A	3550JJ2023A	Cover,Grille Fan
105A	5251JA3003B	Tube Assembly,Drain	284C	5006JA3080A	Cap,Screw
105F	5070JJ3002A	Skirt,Lower	286A	4984JJ3003A	BUSH
106A	4779JA2003A	Leg Assembly,Adjust	301A	5421JJ0002A	Evaporator Assembly
110D	4940JL2001C	Knob,Shutter	304A	3551JJ2008B	Cover Assembly,Machinery(Rear)
113A	4930JJ2008A	Holder,Bracket	305B	4580JJ3001A	Roller
113B	4930JJ2005A	Holder,Gasket	305C	4J04238A	Pin,Common
113C	4970JA3016A	Spring	307A	TCA33414101	Compressor,Set Assembly
113D	4986JJ2003B	Gasket,Betta	308A	6748C-0004D	Thermistor Assembly,PTC
120A	4995JJ1004B	Case Assembly,Control Refrigerator	309A	6750C-0005P	Overload Protect
120B	4994JJ0003A	Case,Control Refrigerator	310A	3550JA2059A	Cover,PTC
125A	3390JJ1023A	Tray,Ice	312A	5040JA3031A	Damper,Compressor
125D	4930JJ3007A	Holder,Bracket	314A	4620JA3009A	Stopper,Compressor
128A	4975JJ2002A	Guide Assembly,Rail	315A	3103JJ1001J	Base Assembly,Compressor
128B	4975JJ2002B	Guide Assembly,Rail	317A	5851JJ2002F	Drier Assembly
131A	5074JJ1006A	Bucket,Ice	318A	4930JA3034A	Holder,Drier
140D	MHL38615403	Shelf,Net	319A	3390JJ0004A	Tray,Drip
140E	MHL38615404	Shelf,Net	319C	MEA41997401	Guide,Fan
142B	5027JJ1039A	Shelf Assembly,Refrigerator	319E	4810JJ2005A	Bracket,Motor
142D	5026JJ2001L	Shelf,Net	323B	5403JJ1008A	Condenser Assembly,Wire
142E	5026JJ2001M	Shelf,Net	327A	5006JA3034A	Cap,Drain Tube
143E	5027JJ1013H	Shelf Assembly,Refrigerator	328A	4J03020A	Damper,Pipe
143F	5027JJ1013S	Shelf Assembly,Refrigerator	328A	4J03020A	Damper,Pipe
145A	4930JJ2003A	Holder,Shelf	329A	5901JJ1003A	Fan Assembly
145B	4930JJ2004A	Holder,Shelf	329C	ADP36665702	Fan Assembly
149A	3806JJ3001B	Decor,Shelf	330B	MHN58555001	Shroud,Freezer
149F	MHL58275201	Shelf,Freezer	332A	3531JJ1005F	Grille Assembly,Fan
151A	3391JJ1020B	Tray Assembly,Vegetable	401A	4781JK2001A	Controller Assembly
151C	4940JJ2003C	KNOB,SHUTTER	404A	4681JK1004A	AC Motor
154A	MCK61620302	Cover,TV	404Z	6877JB1223F	Harness Assembly
155B	4980JJ1010A	Supporter,Cover TV	405B	5040JJ2001A	Damper,Motor Support
158A	3550JJ2027A	Cover,Lamp	405C	5040JA2009B	Damper,Motor Support
167B	4890JL1002V	Shelf,Glass	405F	5040JA2004B	Damper,Motor Support
170A	3391JJ2004H	Tray Assembly,Meat	406B	6600JB2004D	Switch,Push Button
200A	ADC71006708	Door Assembly,Freezer	409B	6912JK2002E	Lamp,Incandescent
201A	ADD71006810	Door Foam Assembly,Freezer	410G	0CZZJB2012J	Capacitor,Electric Appliance Film,Box
203A	ADX52752617	Gasket Assembly,Door	411A	6411JK1006A	Power Cord Assembly
205D	5004JJ1024A	Basket,Door	412D	6877JK2011D	Harness Assembly
210A	4620JJ2009A	Stopper,Door	418A	5300JK1003J	Heater,Sheath
210B	4974JA3031B	Guide,Stopper	420A	4681JB1029J	Motor,DC
212G	4140JD1031A	Name Plate	501A	EBR41531306	PCB Assembly,Main
230A	ADC71006918	Door Assembly,Refrigerator	501F	3551JJ1020A	Cover Assembly,PCB
231A	ADD71007018	Door Foam Assembly,Refrigerator	503C	6871JB2036D	PCB Assembly,Display
233A	ADX52752616	Gasket Assembly,Door	503D	3110JJ2003A	Case,Display
241A	3550JL2003M	Cover,Tray	619B	3550JJ2024A	Cover,Valve
241B	5004JJ1036A	Basket,Door	623H	5006JA3085A	Cap,Cover
241C	5004JJ1023A	Basket,Door	903A	3550JJ0006B	Cover,Lower
241D	5004JJ1025A	Basket,Door	903B	4930JJ2021A	Holder,Cover(Lower)
241E	5004JJ1038A	Basket,Door	903D	6500JK1003A	Sensor,Temperature
243A	4620JJ3006B	Stopper,Door	B01	J351-00004L	Screw,Customized
262E	4350JA3005B	Ring	B03	J351-00004P	Screw,Customized
281A	3550JJ2013B	Cover,Hinge	S01	4J00415D	Screw,Customized
281B	4775JJ2003B	Hinge Assembly,Upper	S14	3J05696W	Screw,Customized
281E	5006JJ3003D	Cap,Hinge	S16	1TCL0302818	Screw,Tapping
282B	4775JJ2002A	Hinge Assembly,Center	S20	4001JA3001A	Screw Assembly
282C	1PZZJJ3002F	Pin,Common	S22	4J01425A	Screw,Customized
282E	5006JJ2001E	Cap,Hinge	S24	1SZZJA3011B	Screw,Customized
282H	5006JJ3004A	Cap,Hinge			

Loc No.	Part No.	Description	Loc No.	Part No.	Description
103A	3650JJ2003H	Handle,Rear	282X	5006JJ3010A	Cap,Handle
103B	3650JJ2003D	Handle,Rear	283B	4775JJ2013B	Hinge Assembly,Lower
103C	3551JJ1015H	Cover Assembly,Lower	283F	4620JJ2007A	Stopper,Door
103E	5218JJ3001A	Rail,Slide	284A	3550JJ2023A	Cover,Grille Fan
105A	5251JA3003B	Tube Assembly,Drain	284C	5006JA3080A	Cap,Screw
105F	5070JJ3002A	Skirt,Lower	286A	4984JJ3003A	BUSH
106A	4779JA2003A	Leg Assembly,Adjust	301A	5421JJ0002A	Evaporator Assembly
110D	4940JL2001C	Knob,Shutter	304A	3551JJ2008B	Cover Assembly,Machinery(Rear)
113A	4930JJ2008A	Holder,Bracket	305B	4580JJ3001A	Roller
113B	4930JJ2005A	Holder,Gasket	305C	4J04238A	Pin,Common
113C	4970JA3016A	Spring	307A	TCA33414101	Compressor,Set Assembly
113D	4986JJ2003B	Gasket,Betta	308A	6748C-0004D	Thermistor Assembly,PTC
120A	4995JJ1004B	Case Assembly,Control Refrigerator	309A	6750C-0005P	Overload Protect
120B	4994JJ0003A	Case,Control Refrigerator	310A	3550JA2059A	Cover,PTC
125A	3390JJ1023A	Tray,Ice	312A	5040JA3031A	Damper,Compressor
125D	4930JJ3007A	Holder,Bracket	314A	4620JA3009A	Stopper,Compressor
128A	4975JJ2002A	Guide Assembly,Rail	315A	3103JJ1001J	Base Assembly,Compressor
128B	4975JJ2002B	Guide Assembly,Rail	317A	5851JJ2002F	Drier Assembly
131A	5074JJ1006A	Bucket,Ice	318A	4930JA3034A	Holder,Drier
140D	MHL38615403	Shelf,Net	319A	3390JJ0004A	Tray,Drip
140E	MHL38615404	Shelf,Net	319C	MEA41997401	Guide,Fan
142B	5027JJ1039A	Shelf Assembly,Refrigerator	319E	4810JJ2005A	Bracket,Motor
142D	5026JJ2001L	Shelf,Net	323B	5403JJ1008A	Condenser Assembly,Wire
142E	5026JJ2001M	Shelf,Net	327A	5006JA3034A	Cap,Drain Tube
143E	5027JJ1013H	Shelf Assembly,Refrigerator	328A	4J03020A	Damper,Pipe
143F	5027JJ1013S	Shelf Assembly,Refrigerator	328A	4J03020A	Damper,Pipe
145A	4930JJ2003A	Holder,Shelf	329A	5901JJ1003A	Fan Assembly
145B	4930JJ2004A	Holder,Shelf	329C	ADP36665702	Fan Assembly
149A	3806JJ3001B	Decor,Shelf	330B	MHN58555001	Shroud,Freezer
149F	MHL58275201	Shelf,Freezer	332A	3531JJ1005F	Grille Assembly,Fan
151A	3391JJ1020B	Tray Assembly,Vegetable	401A	4781JK2001A	Controller Assembly
151C	4940JJ2003C	KNOB,SHUTTER	404A	4681JK1004A	AC Motor
154A	MCK61620302	Cover,TV	404Z	6877JB1223F	Harness Assembly
155B	4980JJ1010A	Supporter,Cover TV	405B	5040JJ2001A	Damper,Motor Support
158A	3550JJ2027A	Cover,Lamp	405C	5040JA2009B	Damper,Motor Support
167B	4890JL1002V	Shelf,Glass	405F	5040JA2004B	Damper,Motor Support
170A	3391JJ2004H	Tray Assembly,Meat	406B	6600JB2004C	Switch,Push Button
200A	ADC71006709	Door Assembly,Freezer	409B	6912JK2002E	Lamp,Incandescent
201A	ADD71006808	Door Foam Assembly,Freezer	410G	0CZZJB2012J	Capacitor,Electric Appliance Film,Box
203A	ADX52752621	Gasket Assembly,Door	411A	6411JK1006A	Power Cord Assembly
205D	5004JJ1024A	Basket,Door	412D	6877JK2011D	Harness Assembly
210A	4620JJ2009A	Stopper,Door	418A	5300JK1003J	Heater,Sheath
210B	4974JA3031B	Guide,Stopper	420A	4681JB1029J	Motor,DC
212G	4140JD1031A	Name Plate	501A	EBR41531306	PCB Assembly,Main
230A	ADC71006919	Door Assembly,Refrigerator	501F	3551JJ1020A	Cover Assembly,PCB
231A	ADD71007019	Door Foam Assembly,Refrigerator	503C	6871JB2036D	PCB Assembly,Display
233A	ADX52752620	Gasket Assembly,Door	503D	3110JJ2003A	Case,Display
241A	3550JL2003M	Cover,Tray	619B	3550JJ2024A	Cover,Valve
241B	5004JJ1036A	Basket,Door	623H	5006JA3085A	Cap,Cover
241C	5004JJ1023A	Basket,Door	903A	3550JJ0006D	Cover,Lower
241D	5004JJ1025A	Basket,Door	903B	4930JJ2021A	Holder,Cover(Lower)
241E	5004JJ1038A	Basket,Door	903D	6500JK1003A	Sensor,Temperature
243A	4620JJ3006D	Stopper,Door	B01	J351-00004L	Screw,Customized
262E	4350JA3005B	Ring	B03	J351-00004P	Screw,Customized
281A	3550JJ2013D	Cover,Hinge	S01	4J00415D	Screw,Customized
281B	4775JJ2003B	Hinge Assembly,Upper	S14	3J05696W	Screw,Customized
281E	5006JJ3003F	Cap,Hinge	S16	1TCL0302818	Screw,Tapping
282B	4775JJ2002A	Hinge Assembly,Center	S20	4001JA3001A	Screw Assembly
282C	1PZZJJ3002F	Pin,Common	S22	4J01425A	Screw,Customized
282E	5006JJ2001G	Cap,Hinge	S24	1SZZJA3011B	Screw,Customized
282H	5006JJ3004F	Cap,Hinge			

Loc No.	Part No.	Description	Loc No.	Part No.	Description
103A	3650JJ2003M	Handle,Rear	282X	5006JJ3010A	Cap,Handle
103B	3650JJ2003L	Handle,Rear	283B	4775JJ2013B	Hinge Assembly,Lower
103C	3551JJ1015F	Cover Assembly,Lower	283F	4620JJ2007B	Stopper,Door
103E	5218JJ3001A	Rail,Slide	284A	3550JJ2023A	Cover,Grille Fan
105A	5251JA3003B	Tube Assembly,Drain	284C	5006JA3080A	Cap,Screw
105F	5070JJ3002A	Skirt,Lower	286A	4984JJ3003A	BUSH
106A	4779JA2003A	Leg Assembly,Adjust	301A	5421JJ0002A	Evaporator Assembly
110D	4940JL2001C	Knob,Shutter	304A	3551JJ2008B	Cover Assembly,Machinery(Rear)
113A	4930JJ2008A	Holder,Bracket	305B	4580JJ3001A	Roller
113B	4930JJ2005A	Holder,Gasket	305C	4J04238A	Pin,Common
113C	4970JA3016A	Spring	307A	TCA33414101	Compressor,Set Assembly
113D	4986JJ2003B	Gasket,Betta	308A	6748C-0004D	Thermistor Assembly,PTC
120A	4995JJ1004B	Case Assembly,Control Refrigerator	309A	6750C-0005P	Overload Protect
120B	4994JJ0003A	Case,Control Refrigerator	310A	3550JA2059A	Cover,PTC
125A	3390JJ1023A	Tray,Ice	312A	5040JA3031A	Damper,Compressor
125D	4930JJ3007A	Holder,Bracket	314A	4620JA3009A	Stopper,Compressor
128A	4975JJ2002A	Guide Assembly,Rail	315A	3103JJ1001J	Base Assembly,Compressor
128B	4975JJ2002B	Guide Assembly,Rail	317A	5851JJ2002F	Drier Assembly
131A	5074JJ1006A	Bucket,Ice	318A	4930JA3034A	Holder,Drier
140D	MHL38615403	Shelf,Net	319A	3390JJ0004A	Tray,Drip
140E	MHL38615404	Shelf,Net	319C	MEA41997401	Guide,Fan
142B	5027JJ1039A	Shelf Assembly,Refrigerator	319E	4810JJ2005A	Bracket,Motor
142D	5026JJ2001L	Shelf,Net	323B	5403JJ1008A	Condenser Assembly,Wire
142E	5026JJ2001M	Shelf,Net	327A	5006JA3034A	Cap,Drain Tube
143E	5027JJ1013H	Shelf Assembly,Refrigerator	328A	4J03020A	Damper,Pipe
143F	5027JJ1013S	Shelf Assembly,Refrigerator	328A	4J03020A	Damper,Pipe
145A	4930JJ2003A	Holder,Shelf	329A	5901JJ1003A	Fan Assembly
145B	4930JJ2004A	Holder,Shelf	329C	ADP36665702	Fan Assembly
149A	3806JJ3001B	Decor,Shelf	330B	MHN58555001	Shroud,Freezer
149F	MHL58275201	Shelf,Freezer	332A	3531JJ1005F	Grille Assembly,Fan
151A	3391JJ1020B	Tray Assembly,Vegetable	401A	4781JK2001A	Controller Assembly
151C	4940JJ2003C	KNOB,SHUTTER	404A	4681JK1004A	AC Motor
154A	MCK61620302	Cover,TV	404Z	6877JB1223F	Harness Assembly
155B	4980JJ1010A	Supporter,Cover TV	405B	5040JJ2001A	Damper,Motor Support
158A	3550JJ2027A	Cover,Lamp	405C	5040JA2009B	Damper,Motor Support
167B	4890JL1002V	Shelf,Glass	405F	5040JA2004B	Damper,Motor Support
170A	3391JJ2004H	Tray Assembly,Meat	406B	6600JB2004B	Switch,Push Button
200A	ADC71006707	Door Assembly,Freezer	409B	6912JK2002E	Lamp,Incandescent
201A	ADD71006807	Door Foam Assembly,Freezer	410G	0CZZJB2012J	Capacitor,Electric Appliance Film,Box
203A	ADX52752619	Gasket Assembly,Door	411A	6411JK1006A	Power Cord Assembly
205D	5004JJ1024A	Basket,Door	412D	6877JK2011D	Harness Assembly
210A	4620JJ2009B	Stopper,Door	418A	5300JK1003J	Heater,Sheath
210B	4974JA3031B	Guide,Stopper	420A	4681JB1029J	Motor,DC
212G	4140JD1031A	Name Plate	501A	EBR41531306	PCB Assembly,Main
230A	ADC71006917	Door Assembly,Refrigerator	501F	3551JJ1020A	Cover Assembly,PCB
231A	ADD71007017	Door Foam Assembly,Refrigerator	503C	6871JB2036D	PCB Assembly,Display
233A	ADX52752618	Gasket Assembly,Door	503D	3110JJ2003A	Case,Display
241A	3550JL2003M	Cover,Tray	619B	3550JJ2024A	Cover,Valve
241B	5004JJ1036A	Basket,Door	623H	5006JA3085A	Cap,Cover
241C	5004JJ1023A	Basket,Door	903A	3550JJ0006C	Cover,Lower
241D	5004JJ1025A	Basket,Door	903B	4930JJ2021A	Holder,Cover(Lower)
241E	5004JJ1038A	Basket,Door	903D	6500JK1003A	Sensor,Temperature
243A	4620JJ3006C	Stopper,Door	B01	J351-00004L	Screw,Customized
262E	4350JA3005B	Ring	B03	J351-00004P	Screw,Customized
281A	3550JJ2013C	Cover,Hinge	S01	4J00415D	Screw,Customized
281B	4775JJ2003B	Hinge Assembly,Upper	S14	3J05696W	Screw,Customized
281E	5006JJ3003E	Cap,Hinge	S16	1TCL0302818	Screw,Tapping
282B	4775JJ2002A	Hinge Assembly,Center	S20	4001JA3001A	Screw Assembly
282C	1PZZJJ3002F	Pin,Common	S22	4J01425A	Screw,Customized
282E	5006JJ2001F	Cap,Hinge	S24	1SZZJA3011B	Screw,Customized
282H	5006JJ3004E	Cap,Hinge			

Loc No.	Part No.	Description	Loc No.	Part No.	Description
103A	3650JJ2003E	Handle,Rear	286A	4984JJ3003A	BUSH
103B	3650JJ2003A	Handle,Rear	301A	5421JJ0003A	Evaporator Assembly
103C	3551JJ1015A	Cover Assembly,Lower	304A	3551JJ2008A	Cover Assembly,Machinery(Rear)
103E	5218JJ3001A	Rail,Slide	305B	4580JJ3001A	Roller
105A	5251JA3003B	Tube Assembly,Drain	305C	4J04238A	Pin,Common
105F	5070JJ3002A	Skirt,Lower	307A	TCA33414101	Compressor,Set Assembly
106A	4779JA2003A	Leg Assembly,Adjust	308A	6748C-0004D	Thermistor Assembly,PTC
110D	4940JL2001C	Knob,Shutter	309A	6750C-0005P	Overload Protect
113A	4930JJ2008A	Holder,Bracket	310A	3550JA2059A	Cover,PTC
113B	4930JJ2005A	Holder,Gasket	312A	5040JA3031A	Damper,Compressor
113C	4970JA3016A	Spring	314A	4620JA3009A	Stopper,Compressor
113D	4986JJ2003B	Gasket,Betta	315A	3103JJ1001K	Base Assembly,Compressor
120A	4995JJ1004B	Case Assembly,Control Refrigerator	317A	5851JJ2002F	Drier Assembly
120B	4994JJ0003A	Case,Control Refrigerator	318A	4930JA3034A	Holder,Drier
125D	4930JJ3007A	Holder,Bracket	319A	3390JJ0004A	Tray,Drip
128A	4975JJ2002A	Guide Assembly,Rail	319C	MEA41997401	Guide,Fan
128B	4975JJ2002B	Guide Assembly,Rail	319E	4810JJ2005A	Bracket,Motor
131A	5074JJ1007A	Bucket,Ice	323B	5403JJ1008A	Condenser Assembly,Wire
140B	5027JJ1037A	Shelf Assembly,Refrigerator	327A	5006JA3034A	Cap,Drain Tube
140D	MHL38615403	Shelf,Net	328A	4J03020A	Damper,Pipe
140E	MHL38615404	Shelf,Net	329A	5901JJ1003A	Fan Assembly
142D	5026JJ2001L	Shelf,Net	329C	ADP36665702	Fan Assembly
142E	5026JJ2001M	Shelf,Net	330B	MHN58555001	Shroud,Freezer
143E	5027JJ1013G	Shelf Assembly,Refrigerator	332A	3531JJ1006F	Grille Assembly,Fan
143F	5027JJ1013P	Shelf Assembly,Refrigerator	401A	4781JK2001A	Controller Assembly
145A	4930JJ2003A	Holder,Shelf	404A	4681JK1004A	AC Motor
145B	4930JJ2004A	Holder,Shelf	404Z	6877JB1223F	Harness Assembly
149A	3806JJ3001A	DECOR,SHELF	405B	5040JJ2001A	Damper,Motor Support
149F	5026JJ1196A	SHELF,FREEZER	405C	5040JA2009B	Damper,Motor Support
151A	3391JJ1020A	Tray Assembly,Vegetable	405F	5040JA2004B	Damper,Motor Support
151C	4940JJ2003C	KNOB,SHUTTER	406B	6600JB2004A	Switch,Push Button
154A	MCK61620301	Cover,TV	409B	6912JK2002E	Lamp,Incandescent
155B	4980JJ1010A	Supporter,Cover TV	410G	0CZZJB2012J	Capacitor,Electric Appliance Film,Box
158A	3550JJ2027A	Cover,Lamp	411A	6411JK1006A	Power Cord Assembly
167B	4890JL1002U	SHELF,GLASS	412D	6877JK2011D	Harness Assembly
170A	3391JJ2004G	Tray Assembly,Meat	418A	5300JK1003D	Heater,Sheath
200A	ADC71006701	Door Assembly,Freezer	420A	4681JB1029J	Motor,DC
201A	5433JJ0086A	Door Foam Assembly,Freezer	501A	EBR41531306	PCB Assembly,Main
203A	ADX52752611	Gasket Assembly,Door	501F	3551JJ1020A	Cover Assembly,PCB
205D	5004JJ1015A	Basket,Door	503C	6871JB2036D	PCB Assembly,Display
210A	4620JJ2009A	Stopper,Door	503D	3110JJ2003A	Case,Display
210B	4974JA3031B	Guide,Stopper	600A	5989JA0002P	Ice Maker Assembly,Kit
212G	4140JD1031A	Name Plate	600C	MEA32865501	Guide,Tube
230A	ADC71006906	Door Assembly,Refrigerator	602A	4931JA3005B	Holder Assembly,Bracket
231A	ADD71007006	Door Foam Assembly,Refrigerator	616E	5211JA2003C	Tube Assembly,Inject
233A	ADX52752610	Gasket Assembly,Door	618A	5210JJ3006B	Tube,Inject
241A	3550JJ1030A	Cover,Tray	619A	5220JA2009D	Valve,Water
241B	5004JJ1037A	Basket,Door	619B	3550JJ2024A	Cover,Valve
241C	5004JJ1014A	Basket,Door	619C	AJU55759301	Valve Assembly,Water
241D	5004JJ1016A	Basket,Door	622B	MJH61841901	Supporter,Tube Guide
241E	5004JJ1039A	Basket,Door	623C	4770JA3001A	Band
243A	4620JJ3006A	Stopper,Door	903A	3550JJ0005A	Cover,Lower
262D	4004JA3002A	Clip	903B	4930JJ2021A	Holder,Cover(Lower)
262E	4350JA3005B	Ring	903D	6500JK1003A	Sensor,Temperature
281A	3550JJ2013A	Cover,Hinge	B01	J351-00004L	Screw,Customized
281B	4775JJ2003B	Hinge Assembly,Upper	B03	J351-00004P	Screw,Customized
281E	5006JJ3003A	Cap,Hinge	S01	4J00415D	Screw,Customized
282B	4775JJ2002A	Hinge Assembly,Center	S14	3J05696W	Screw,Customized
282C	1PZZJJ3002F	Pin,Common	S16	1TCL0302818	Screw,Tapping
282E	5006JJ2001A	Cap,Hinge	S20	4001JA3001A	Screw Assembly
282H	5006JJ3004A	Cap,Hinge	S22	J471-00001J	Screw,Customized
283B	4775JJ2013B	Hinge Assembly,Lower	S24	1SZZJA3011B	Screw,Customized
283F	4620JJ2007A	Stopper,Door	S28	1SZZJJ3005E	Screw,Customized
284A	3550JJ2023A	Cover,Grille Fan	S29	4J00415D	Screw,Customized
284C	5006JA3080A	Cap,Screw	S31	4000W4A003A	Screw,Customized

Loc No.	Part No.	Description	Loc No.	Part No.	Description
103A	3650JJ2003F	Handle,Rear	286A	4984JJ3003A	BUSH
103B	3650JJ2003B	Handle,Rear	301A	5421JJ0003A	Evaporator Assembly
103C	3551JJ1015C	Cover Assembly,Lower	304A	3551JJ2008A	Cover Assembly,Machinery(Rear)
103E	5218JJ3001A	Rail,Slide	305B	4580JJ3001A	Roller
105A	5251JA3003B	Tube Assembly,Drain	305C	4J04238A	Pin,Common
105F	5070JJ3002A	Skirt,Lower	307A	TCA33414101	Compressor,Set Assembly
106A	4779JA2003A	Leg Assembly,Adjust	308A	6748C-0004D	Thermistor Assembly,PTC
110D	4940JL2001C	Knob,Shutter	309A	6750C-0005P	Overload Protect
113A	4930JJ2008A	Holder,Bracket	310A	3550JA2059A	Cover,PTC
113B	4930JJ2005A	Holder,Gasket	312A	5040JA3031A	Damper,Compressor
113C	4970JA3016A	Spring	314A	4620JA3009A	Stopper,Compressor
113D	4986JJ2003B	Gasket,Betta	315A	3103JJ1001K	Base Assembly,Compressor
120A	4995JJ1004B	Case Assembly,Control Refrigerator	317A	5851JJ2002F	Drier Assembly
120B	4994JJ0003A	Case,Control Refrigerator	318A	4930JA3034A	Holder,Drier
125D	4930JJ3007A	Holder,Bracket	319A	3390JJ0004A	Tray,Drip
128A	4975JJ2002A	Guide Assembly,Rail	319C	MEA41997401	Guide,Fan
128B	4975JJ2002B	Guide Assembly,Rail	319E	4810JJ2005A	Bracket,Motor
131A	5074JJ1007A	Bucket,Ice	323B	5403JJ1008A	Condenser Assembly,Wire
140B	5027JJ1037A	Shelf Assembly,Refrigerator	327A	5006JA3034A	Cap,Drain Tube
140D	MHL38615403	Shelf,Net	328A	4J03020A	Damper,Pipe
140E	MHL38615404	Shelf,Net	329A	5901JJ1003A	Fan Assembly
142D	5026JJ2001L	Shelf,Net	329C	ADP36665702	Fan Assembly
142E	5026JJ2001M	Shelf,Net	330B	MHN58555001	Shroud,Freezer
143E	5027JJ1013G	Shelf Assembly,Refrigerator	332A	3531JJ1006F	Grille Assembly,Fan
143F	5027JJ1013P	Shelf Assembly,Refrigerator	401A	4781JK2001A	Controller Assembly
145A	4930JJ2003A	Holder,Shelf	404A	4681JK1004A	AC Motor
145B	4930JJ2004A	Holder,Shelf	404Z	6877JB1223F	Harness Assembly
149A	3806JJ3001A	DECOR,SHELF	405B	5040JJ2001A	Damper,Motor Support
149F	5026JJ1196A	SHELF,FREEZER	405C	5040JA2009B	Damper,Motor Support
151A	3391JJ1020A	Tray Assembly,Vegetable	405F	5040JA2004B	Damper,Motor Support
151C	4940JJ2003C	KNOB,SHUTTER	406B	6600JB2004D	Switch,Push Button
154A	MCK61620301	Cover,TV	409B	6912JK2002E	Lamp,Incandescent
155B	4980JJ1010A	Supporter,Cover TV	410G	0CZZJB2012J	Capacitor,Electric Appliance Film,Box
158A	3550JJ2027A	Cover,Lamp	411A	6411JK1006A	Power Cord Assembly
167B	4890JL1002U	SHELF,GLASS	412D	6877JK2011D	Harness Assembly
170A	3391JJ2004G	Tray Assembly,Meat	418A	5300JK1003D	Heater,Sheath
200A	ADC71006703	Door Assembly,Freezer	420A	4681JB1029J	Motor,DC
201A	ADD71006803	Door Foam Assembly,Freezer	501A	EBR41531306	PCB Assembly,Main
203A	ADX52752611	Gasket Assembly,Door	501F	3551JJ1020A	Cover Assembly,PCB
205D	5004JJ1015A	Basket,Door	503C	6871JB2036D	PCB Assembly,Display
210A	4620JJ2009A	Stopper,Door	503D	3110JJ2003A	Case,Display
210B	4974JA3031B	Guide,Stopper	600A	5989JA0002P	Ice Maker Assembly,Kit
212G	4140JD1031A	Name Plate	600C	MEA32865501	Guide,Tube
230A	ADC71006908	Door Assembly,Refrigerator	602A	4931JA3005B	Holder Assembly,Bracket
231A	ADD71007008	Door Foam Assembly,Refrigerator	616E	5211JA2003C	Tube Assembly,Inject
233A	ADX52752610	Gasket Assembly,Door	618A	5210JJ3006B	Tube,Inject
241A	3550JJ1030A	Cover,Tray	619A	5220JA2009D	Valve,Water
241B	5004JJ1037A	Basket,Door	619B	3550JJ2024A	Cover,Valve
241C	5004JJ1014A	Basket,Door	619C	AJU55759301	Valve Assembly,Water
241D	5004JJ1016A	Basket,Door	622B	MJH61841901	Supporter,Tube Guide
241E	5004JJ1039A	Basket,Door	623C	4770JA3001A	Band
243A	4620JJ3006B	Stopper,Door	903A	3550JJ0005B	Cover,Lower
262D	4004JA3002A	Clip	903B	4930JJ2021A	Holder,Cover(Lower)
262E	4350JA3005B	Ring	903D	6500JK1003A	Sensor,Temperature
281A	3550JJ2013B	Cover,Hinge	B01	J351-00004L	Screw,Customized
281B	4775JJ2003B	Hinge Assembly,Upper	B03	J351-00004P	Screw,Customized
281E	5006JJ3003D	Cap,Hinge	S01	4J00415D	Screw,Customized
282B	4775JJ2002A	Hinge Assembly,Center	S14	3J05696W	Screw,Customized
282C	1PZZJJ3002F	Pin,Common	S16	1TCL0302818	Screw,Tapping
282E	5006JJ2001E	Cap,Hinge	S20	4001JA3001A	Screw Assembly
282H	5006JJ3004A	Cap,Hinge	S22	J471-00001J	Screw,Customized
283B	4775JJ2013B	Hinge Assembly,Lower	S24	1SZZJA3011B	Screw,Customized
283F	4620JJ2007A	Stopper,Door	S28	1SZZJJ3005E	Screw,Customized
284A	3550JJ2023A	Cover,Grille Fan	S29	4J00415D	Screw,Customized
284C	5006JA3080A	Cap,Screw	S31	4000W4A003A	Screw,Customized

Loc No.	Part No.	Description	Loc No.	Part No.	Description
103A	3650JJ2003H	Handle,Rear	286A	4984JJ3003A	BUSH
103B	3650JJ2003D	Handle,Rear	301A	5421JJ0003A	Evaporator Assembly
103C	3551JJ1015G	Cover Assembly,Lower	304A	3551JJ2008A	Cover Assembly,Machinery(Rear)
103E	5218JJ3001A	Rail,Slide	305B	4580JJ3001A	Roller
105A	5251JA3003B	Tube Assembly,Drain	305C	4J04238A	Pin,Common
105F	5070JJ3002A	Skirt,Lower	307A	TCA33414101	Compressor,Set Assembly
106A	4779JA2003A	Leg Assembly,Adjust	308A	6748C-0004D	Thermistor Assembly,PTC
110D	4940JL2001C	Knob,Shutter	309A	6750C-0005P	Overload Protect
113A	4930JJ2008A	Holder,Bracket	310A	3550JA2059A	Cover,PTC
113B	4930JJ2005A	Holder,Gasket	312A	5040JA3031A	Damper,Compressor
113C	4970JA3016A	Spring	314A	4620JA3009A	Stopper,Compressor
113D	4986JJ2003B	Gasket,Betta	315A	3103JJ1001K	Base Assembly,Compressor
120A	4995JJ1004B	Case Assembly,Control Refrigerator	317A	5851JJ2002F	Drier Assembly
120B	4994JJ0003A	Case,Control Refrigerator	318A	4930JA3034A	Holder,Drier
125D	4930JJ3007A	Holder,Bracket	319A	3390JJ0004A	Tray,Drip
128A	4975JJ2002A	Guide Assembly,Rail	319C	MEA41997401	Guide,Fan
128B	4975JJ2002B	Guide Assembly,Rail	319E	4810JJ2005A	Bracket,Motor
131A	5074JJ1007A	Bucket,Ice	323B	5403JJ1008A	Condenser Assembly,Wire
140B	5027JJ1037A	Shelf Assembly,Refrigerator	327A	5006JA3034A	Cap,Drain Tube
140D	MHL38615403	Shelf,Net	328A	4J03020A	Damper,Pipe
140E	MHL38615404	Shelf,Net	329A	5901JJ1003A	Fan Assembly
142D	5026JJ2001L	Shelf,Net	329C	ADP36665702	Fan Assembly
142E	5026JJ2001M	Shelf,Net	330B	MHN58555001	Shroud,Freezer
143E	5027JJ1013G	Shelf Assembly,Refrigerator	332A	3531JJ1006F	Grille Assembly,Fan
143F	5027JJ1013P	Shelf Assembly,Refrigerator	401A	4781JK2001A	Controller Assembly
145A	4930JJ2003A	Holder,Shelf	404A	4681JK1004A	AC Motor
145B	4930JJ2004A	Holder,Shelf	404Z	6877JB1223F	Harness Assembly
149A	3806JJ3001A	DECOR,SHELF	405B	5040JJ2001A	Damper,Motor Support
149F	5026JJ1196A	SHELF,FREEZER	405C	5040JA2009B	Damper,Motor Support
151A	3391JJ1020A	Tray Assembly,Vegetable	405F	5040JA2004B	Damper,Motor Support
151C	4940JJ2003C	KNOB,SHUTTER	406B	6600JB2004C	Switch,Push Button
154A	MCK61620301	Cover,TV	409B	6912JK2002E	Lamp,Incandescent
155B	4980JJ1010A	Supporter,Cover TV	410G	0CZZJB2012J	Capacitor,Electric Appliance Film,Box
158A	3550JJ2027A	Cover,Lamp	411A	6411JK1006A	Power Cord Assembly
167B	4890JL1002U	SHELF,GLASS	412D	6877JK2011D	Harness Assembly
170A	3391JJ2004G	Tray Assembly,Meat	418A	5300JK1003D	Heater,Sheath
200A	ADC71006704	Door Assembly,Freezer	420A	4681JB1029J	Motor,DC
201A	ADD71006804	Door Foam Assembly,Freezer	501A	EBR41531306	PCB Assembly,Main
203A	ADX52752615	Gasket Assembly,Door	501F	3551JJ1020A	Cover Assembly,PCB
205D	5004JJ1015A	Basket,Door	503C	6871JB2036D	PCB Assembly,Display
210A	4620JJ2009A	Stopper,Door	503D	3110JJ2003A	Case,Display
210B	4974JA3031B	Guide,Stopper	600A	5989JA0002P	Ice Maker Assembly,Kit
212G	4140JD1031A	Name Plate	600C	MEA32865501	Guide,Tube
230A	ADC71006909	Door Assembly,Refrigerator	602A	4931JA3005B	Holder Assembly,Bracket
231A	ADD71007009	Door Foam Assembly,Refrigerator	616E	5211JA2003C	Tube Assembly,Inject
233A	ADX52752614	Gasket Assembly,Door	618A	5210JJ3006B	Tube,Inject
241A	3550JJ1030A	Cover,Tray	619A	5220JA2009D	Valve,Water
241B	5004JJ1037A	Basket,Door	619B	3550JJ2024A	Cover,Valve
241C	5004JJ1014A	Basket,Door	619C	AJU55759301	Valve Assembly,Water
241D	5004JJ1016A	Basket,Door	622B	MJH61841901	Supporter,Tube Guide
241E	5004JJ1039A	Basket,Door	623C	4770JA3001A	Band
243A	4620JJ3006D	Stopper,Door	903A	3550JJ0005D	Cover,Lower
262D	4004JA3002A	Clip	903B	4930JJ2021A	Holder,Cover(Lower)
262E	4350JA3005B	Ring	903D	6500JK1003A	Sensor,Temperature
281A	3550JJ2013D	Cover,Hinge	B01	J351-00004L	Screw,Customized
281B	4775JJ2003B	Hinge Assembly,Upper	B03	J351-00004P	Screw,Customized
281E	5006JJ3003F	Cap,Hinge	S01	4J00415D	Screw,Customized
282B	4775JJ2002A	Hinge Assembly,Center	S14	3J05696W	Screw,Customized
282C	1PZZJJ3002F	Pin,Common	S16	1TCL0302818	Screw,Tapping
282E	5006JJ2001G	Cap,Hinge	S20	4001JA3001A	Screw Assembly
282H	5006JJ3004F	Cap,Hinge	S22	J471-00001J	Screw,Customized
283B	4775JJ2013B	Hinge Assembly,Lower	S24	1SZZJA3011B	Screw,Customized
283F	4620JJ2007A	Stopper,Door	S28	1SZZJJ3005E	Screw,Customized
284A	3550JJ2023A	Cover,Grille Fan	S29	4J00415D	Screw,Customized
284C	5006JA3080A	Cap,Screw	S31	4000W4A003A	Screw,Customized

Loc No.	Part No.	Description	Loc No.	Part No.	Description
103A	3650JJ2003M	Handle,Rear	286A	4984JJ3003A	BUSH
103B	3650JJ2003L	Handle,Rear	301A	5421JJ0003A	Evaporator Assembly
103C	3551JJ1015E	Cover Assembly,Lower	304A	3551JJ2008A	Cover Assembly,Machinery(Rear)
103E	5218JJ3001A	Rail,Slide	305B	4580JJ3001A	Roller
105A	5251JA3003B	Tube Assembly,Drain	305C	4J04238A	Pin,Common
105F	5070JJ3002A	Skirt,Lower	307A	TCA33414101	Compressor,Set Assembly
106A	4779JA2003A	Leg Assembly,Adjust	308A	6748C-0004D	Thermistor Assembly,PTC
110D	4940JL2001C	Knob,Shutter	309A	6750C-0005P	Overload Protect
113A	4930JJ2008A	Holder,Bracket	310A	3550JA2059A	Cover,PTC
113B	4930JJ2005A	Holder,Gasket	312A	5040JA3031A	Damper,Compressor
113C	4970JA3016A	Spring	314A	4620JA3009A	Stopper,Compressor
113D	4986JJ2003B	Gasket,Betta	315A	3103JJ1001K	Base Assembly,Compressor
120A	4995JJ1004B	Case Assembly,Control Refrigerator	317A	5851JJ2002F	Drier Assembly
120B	4994JJ0003A	Case,Control Refrigerator	318A	4930JA3034A	Holder,Drier
125D	4930JJ3007A	Holder,Bracket	319A	3390JJ0004A	Tray,Drip
128A	4975JJ2002A	Guide Assembly,Rail	319C	MEA41997401	Guide,Fan
128B	4975JJ2002B	Guide Assembly,Rail	319E	4810JJ2005A	Bracket,Motor
131A	5074JJ1007A	Bucket,Ice	323B	5403JJ1008A	Condenser Assembly,Wire
140B	5027JJ1037A	Shelf Assembly,Refrigerator	327A	5006JA3034A	Cap,Drain Tube
140D	MHL38615403	Shelf,Net	328A	4J03020A	Damper,Pipe
140E	MHL38615404	Shelf,Net	329A	5901JJ1003A	Fan Assembly
142D	5026JJ2001L	Shelf,Net	329C	ADP36665702	Fan Assembly
142E	5026JJ2001M	Shelf,Net	330B	MHN58555001	Shroud,Freezer
143E	5027JJ1013G	Shelf Assembly,Refrigerator	332A	3531JJ1006F	Grille Assembly,Fan
143F	5027JJ1013P	Shelf Assembly,Refrigerator	401A	4781JK2001A	Controller Assembly
145A	4930JJ2003A	Holder,Shelf	404A	4681JK1004A	AC Motor
145B	4930JJ2004A	Holder,Shelf	404Z	6877JB1223F	Harness Assembly
149A	3806JJ3001A	DECOR,SHELF	405B	5040JJ2001A	Damper,Motor Support
149F	5026JJ1196A	SHELF,FREEZER	405C	5040JA2009B	Damper,Motor Support
151A	3391JJ1020A	Tray Assembly,Vegetable	405F	5040JA2004B	Damper,Motor Support
151C	4940JJ2003C	KNOB,SHUTTER	406B	6600JB2004B	Switch,Push Button
154A	MCK61620301	Cover,TV	409B	6912JK2002E	Lamp,Incandescent
155B	4980JJ1010A	Supporter,Cover TV	410G	0CZZJB2012J	Capacitor,Electric Appliance Film,Box
158A	3550JJ2027A	Cover,Lamp	411A	6411JK1006A	Power Cord Assembly
167B	4890JL1002U	SHELF,GLASS	412D	6877JK2011D	Harness Assembly
170A	3391JJ2004G	Tray Assembly,Meat	418A	5300JK1003D	Heater,Sheath
200A	ADC71006702	Door Assembly,Freezer	420A	4681JB1029J	Motor,DC
201A	5433JJ0086B	Door Foam Assembly,Freezer	501A	EBR41531306	PCB Assembly,Main
203A	ADX52752613	Gasket Assembly,Door	501F	3551JJ1020A	Cover Assembly,PCB
205D	5004JJ1015A	Basket,Door	503C	6871JB2036D	PCB Assembly,Display
210A	4620JJ2009B	Stopper,Door	503D	3110JJ2003A	Case,Display
210B	4974JA3031B	Guide,Stopper	600A	5989JA0002P	Ice Maker Assembly,Kit
212G	4140JD1031A	Name Plate	600C	MEA32865501	Guide,Tube
230A	ADC71006907	Door Assembly,Refrigerator	602A	4931JA3005B	Holder Assembly,Bracket
231A	ADD71007007	Door Foam Assembly,Refrigerator	616E	5211JA2003C	Tube Assembly,Inject
233A	ADX52752612	Gasket Assembly,Door	618A	5210JJ3006B	Tube,Inject
241A	3550JJ1030A	Cover,Tray	619A	5220JA2009D	Valve,Water
241B	5004JJ1037A	Basket,Door	619B	3550JJ2024A	Cover,Valve
241C	5004JJ1014A	Basket,Door	619C	AJU55759301	Valve Assembly,Water
241D	5004JJ1016A	Basket,Door	622B	MJH61841901	Supporter,Tube Guide
241E	5004JJ1039A	Basket,Door	623C	4770JA3001A	Band
243A	4620JJ3006C	Stopper,Door	903A	3550JJ0005C	Cover,Lower
262D	4004JA3002A	Clip	903B	4930JJ2021A	Holder,Cover(Lower)
262E	4350JA3005B	Ring	903D	6500JK1003A	Sensor,Temperature
281A	3550JJ2013C	Cover,Hinge	B01	J351-00004L	Screw,Customized
281B	4775JJ2003B	Hinge Assembly,Upper	B03	J351-00004P	Screw,Customized
281E	5006JJ3003E	Cap,Hinge	S01	4J00415D	Screw,Customized
282B	4775JJ2002A	Hinge Assembly,Center	S14	3J05696W	Screw,Customized
282C	1PZZJJ3002F	Pin,Common	S16	1TCL0302818	Screw,Tapping
282E	5006JJ2001F	Cap,Hinge	S20	4001JA3001A	Screw Assembly
282H	5006JJ3004E	Cap,Hinge	S22	J471-00001J	Screw,Customized
283B	4775JJ2013B	Hinge Assembly,Lower	S24	1SZZJA3011B	Screw,Customized
283F	4620JJ2007B	Stopper,Door	S28	1SZZJJ3005E	Screw,Customized
284A	3550JJ2023A	Cover,Grille Fan	S29	4J00415D	Screw,Customized
284C	5006JA3080A	Cap,Screw	S31	4000W4A003A	Screw,Customized

Loc No.	Part No.	Description	Loc No.	Part No.	Description
103A	3650JJ2003E	Handle,Rear	286A	4984JJ3003A	BUSH
103B	3650JJ2003A	Handle,Rear	301A	5421JJ0002A	Evaporator Assembly
103C	3551JJ1015B	Cover Assembly,Lower	304A	3551JJ2008B	Cover Assembly,Machinery(Rear)
103E	5218JJ3001A	Rail,Slide	305B	4580JJ3001A	Roller
105A	5251JA3003B	Tube Assembly,Drain	305C	4J04238A	Pin,Common
105F	5070JJ3002A	Skirt,Lower	307A	TCA33414101	Compressor,Set Assembly
106A	4779JA2003A	Leg Assembly,Adjust	308A	6748C-0004D	Thermistor Assembly,PTC
110D	4940JL2001C	Knob,Shutter	309A	6750C-0005P	Overload Protect
113A	4930JJ2008A	Holder,Bracket	310A	3550JA2059A	Cover,PTC
113B	4930JJ2005A	Holder,Gasket	312A	5040JA3031A	Damper,Compressor
113C	4970JA3016A	Spring	314A	4620JA3009A	Stopper,Compressor
113D	4986JJ2003B	Gasket,Betta	315A	3103JJ1001J	Base Assembly,Compressor
120A	4995JJ1004B	Case Assembly,Control Refrigerator	317A	5851JJ2002F	Drier Assembly
120B	4994JJ0003A	Case,Control Refrigerator	318A	4930JA3034A	Holder,Drier
125D	4930JJ3007A	Holder,Bracket	319A	3390JJ0004A	Tray,Drip
128A	4975JJ2002A	Guide Assembly,Rail	319C	MEA41997401	Guide,Fan
128B	4975JJ2002B	Guide Assembly,Rail	319E	4810JJ2005A	Bracket,Motor
131A	5074JJ1007A	Bucket,Ice	323B	5403JJ1008A	Condenser Assembly,Wire
140D	MHL38615403	Shelf,Net	327A	5006JA3034A	Cap,Drain Tube
140E	MHL38615404	Shelf,Net	328A	4J03020A	Damper,Pipe
142B	5027JJ1039A	Shelf Assembly,Refrigerator	329A	5901JJ1003A	Fan Assembly
142D	5026JJ2001L	Shelf,Net	329C	ADP36665702	Fan Assembly
142E	5026JJ2001M	Shelf,Net	330B	MHN58555001	Shroud,Freezer
143E	5027JJ1013H	Shelf Assembly,Refrigerator	332A	3531JJ1005F	Grille Assembly,Fan
143F	5027JJ1013S	Shelf Assembly,Refrigerator	401A	4781JK2001A	Controller Assembly
145A	4930JJ2003A	Holder,Shelf	404A	4681JK1004A	AC Motor
145B	4930JJ2004A	Holder,Shelf	404Z	6877JB1223F	Harness Assembly
149A	3806JJ3001B	Decor,Shelf	405B	5040JJ2001A	Damper,Motor Support
149F	MHL58275201	Shelf,Freezer	405C	5040JA2009B	Damper,Motor Support
151A	3391JJ1020B	Tray Assembly,Vegetable	405F	5040JA2004B	Damper,Motor Support
151C	4940JJ2003C	KNOB,SHUTTER	406B	6600JB2004A	Switch,Push Button
154A	MCK61620302	Cover,TV	409B	6912JK2002E	Lamp,Incandescent
155B	4980JJ1010A	Supporter,Cover TV	410G	0CZZJB2012J	Capacitor,Electric Appliance Film,Box
158A	3550JJ2027A	Cover,Lamp	411A	6411JK1006A	Power Cord Assembly
167B	4890JL1002V	Shelf,Glass	412D	6877JK2011D	Harness Assembly
170A	3391JJ2004H	Tray Assembly,Meat	418A	5300JK1003J	Heater,Sheath
200A	ADC71006706	Door Assembly,Freezer	420A	4681JB1029J	Motor,DC
201A	ADD71006806	Door Foam Assembly,Freezer	501A	EBR41531306	PCB Assembly,Main
203A	ADX52752617	Gasket Assembly,Door	501F	3551JJ1020A	Cover Assembly,PCB
205D	5004JJ1024A	Basket,Door	503C	6871JB2036D	PCB Assembly,Display
210A	4620JJ2009A	Stopper,Door	503D	3110JJ2003A	Case,Display
210B	4974JA3031B	Guide,Stopper	600A	5989JA0002P	Ice Maker Assembly,Kit
212G	4140JD1031A	Name Plate	600C	MEA32865501	Guide,Tube
230A	ADC71006916	Door Assembly,Refrigerator	602A	4931JA3005B	Holder Assembly,Bracket
231A	ADD71007016	Door Foam Assembly,Refrigerator	616E	5211JA2003C	Tube Assembly,Inject
233A	ADX52752616	Gasket Assembly,Door	618A	5210JJ3006B	Tube,Inject
241A	3550JL2003M	Cover,Tray	619A	5220JA2009D	Valve,Water
241B	5004JJ1036A	Basket,Door	619B	3550JJ2024A	Cover,Valve
241C	5004JJ1023A	Basket,Door	619C	AJU55759301	Valve Assembly,Water
241D	5004JJ1025A	Basket,Door	622B	MJH61841901	Supporter,Tube Guide
241E	5004JJ1038A	Basket,Door	623C	4770JA3001A	Band
243A	4620JJ3006A	Stopper,Door	903A	3550JJ0006A	Cover,Lower
262D	4004JA3002A	Clip	903B	4930JJ2021A	Holder,Cover(Lower)
262E	4350JA3005B	Ring	903D	6500JK1003A	Sensor,Temperature
281A	3550JJ2013A	Cover,Hinge	B01	J351-00004L	Screw,Customized
281B	4775JJ2003B	Hinge Assembly,Upper	B03	J351-00004P	Screw,Customized
281E	5006JJ3003A	Cap,Hinge	S01	4J00415D	Screw,Customized
282B	4775JJ2002A	Hinge Assembly,Center	S14	3J05696W	Screw,Customized
282C	1PZZJJ3002F	Pin,Common	S16	1TCL0302818	Screw,Tapping
282E	5006JJ2001A	Cap,Hinge	S20	4001JA3001A	Screw Assembly
282H	5006JJ3004A	Cap,Hinge	S22	J471-00001J	Screw,Customized
283B	4775JJ2013B	Hinge Assembly,Lower	S24	1SZZJA3011B	Screw,Customized
283F	4620JJ2007A	Stopper,Door	S28	1SZZJJ3005E	Screw,Customized
284A	3550JJ2023A	Cover,Grille Fan	S29	4J00415D	Screw,Customized
284C	5006JA3080A	Cap,Screw	S31	4000W4A003A	Screw,Customized

Loc No.	Part No.	Description	Loc No.	Part No.	Description
103A	3650JJ2003F	Handle,Rear	286A	4984JJ3003A	BUSH
103B	3650JJ2003B	Handle,Rear	301A	5421JJ0002A	Evaporator Assembly
103C	3551JJ1015D	Cover Assembly,Lower	304A	3551JJ2008B	Cover Assembly,Machinery(Rear)
103E	5218JJ3001A	Rail,Slide	305B	4580JJ3001A	Roller
105A	5251JA3003B	Tube Assembly,Drain	305C	4J04238A	Pin,Common
105F	5070JJ3002A	Skirt,Lower	307A	TCA33414101	Compressor,Set Assembly
106A	4779JA2003A	Leg Assembly,Adjust	308A	6748C-0004D	Thermistor Assembly,PTC
110D	4940JL2001C	Knob,Shutter	309A	6750C-0005P	Overload Protect
113A	4930JJ2008A	Holder,Bracket	310A	3550JA2059A	Cover,PTC
113B	4930JJ2005A	Holder,Gasket	312A	5040JA3031A	Damper,Compressor
113C	4970JA3016A	Spring	314A	4620JA3009A	Stopper,Compressor
113D	4986JJ2003B	Gasket,Betta	315A	3103JJ1001J	Base Assembly,Compressor
120A	4995JJ1004B	Case Assembly,Control Refrigerator	317A	5851JJ2002F	Drier Assembly
120B	4994JJ0003A	Case,Control Refrigerator	318A	4930JA3034A	Holder,Drier
125D	4930JJ3007A	Holder,Bracket	319A	3390JJ0004A	Tray,Drip
128A	4975JJ2002A	Guide Assembly,Rail	319C	MEA41997401	Guide,Fan
128B	4975JJ2002B	Guide Assembly,Rail	319E	4810JJ2005A	Bracket,Motor
131A	5074JJ1007A	Bucket,Ice	323B	5403JJ1008A	Condenser Assembly,Wire
140D	MHL38615403	Shelf,Net	327A	5006JA3034A	Cap,Drain Tube
140E	MHL38615404	Shelf,Net	328A	4J03020A	Damper,Pipe
142B	5027JJ1039A	Shelf Assembly,Refrigerator	329A	5901JJ1003A	Fan Assembly
142D	5026JJ2001L	Shelf,Net	329C	ADP36665702	Fan Assembly
142E	5026JJ2001M	Shelf,Net	330B	MHN58555001	Shroud,Freezer
143E	5027JJ1013H	Shelf Assembly,Refrigerator	332A	3531JJ1005F	Grille Assembly,Fan
143F	5027JJ1013S	Shelf Assembly,Refrigerator	401A	4781JK2001A	Controller Assembly
145A	4930JJ2003A	Holder,Shelf	404A	4681JK1004A	AC Motor
145B	4930JJ2004A	Holder,Shelf	404Z	6877JB1223F	Harness Assembly
149A	3806JJ3001B	Decor,Shelf	405B	5040JJ2001A	Damper,Motor Support
149F	MHL58275201	Shelf,Freezer	405C	5040JA2009B	Damper,Motor Support
151A	3391JJ1020B	Tray Assembly,Vegetable	405F	5040JA2004B	Damper,Motor Support
151C	4940JJ2003C	KNOB,SHUTTER	406B	6600JB2004D	Switch,Push Button
154A	MCK61620302	Cover,TV	409B	6912JK2002E	Lamp,Incandescent
155B	4980JJ1010A	Supporter,Cover TV	410G	0CZZJB2012J	Capacitor,Electric Appliance Film,Box
158A	3550JJ2027A	Cover,Lamp	411A	6411JK1006A	Power Cord Assembly
167B	4890JL1002V	Shelf,Glass	412D	6877JK2011D	Harness Assembly
170A	3391JJ2004H	Tray Assembly,Meat	418A	5300JK1003J	Heater,Sheath
200A	ADC71006708	Door Assembly,Freezer	420A	4681JB1029J	Motor,DC
201A	ADD71006810	Door Foam Assembly,Freezer	501A	EBR41531306	PCB Assembly,Main
203A	ADX52752617	Gasket Assembly,Door	501F	3551JJ1020A	Cover Assembly,PCB
205D	5004JJ1024A	Basket,Door	503C	6871JB2036D	PCB Assembly,Display
210A	4620JJ2009A	Stopper,Door	503D	3110JJ2003A	Case,Display
210B	4974JA3031B	Guide,Stopper	600A	5989JA0002P	Ice Maker Assembly,Kit
212G	4140JD1031A	Name Plate	600C	MEA32865501	Guide,Tube
230A	ADC71006918	Door Assembly,Refrigerator	602A	4931JA3005B	Holder Assembly,Bracket
231A	ADD71007018	Door Foam Assembly,Refrigerator	616E	5211JA2003C	Tube Assembly,Inject
233A	ADX52752616	Gasket Assembly,Door	618A	5210JJ3006B	Tube,Inject
241A	3550JL2003M	Cover,Tray	619A	5220JA2009D	Valve,Water
241B	5004JJ1036A	Basket,Door	619B	3550JJ2024A	Cover,Valve
241C	5004JJ1023A	Basket,Door	619C	AJU55759301	Valve Assembly,Water
241D	5004JJ1025A	Basket,Door	622B	MJH61841901	Supporter,Tube Guide
241E	5004JJ1038A	Basket,Door	623C	4770JA3001A	Band
243A	4620JJ3006B	Stopper,Door	903A	3550JJ0006B	Cover,Lower
262D	4004JA3002A	Clip	903B	4930JJ2021A	Holder,Cover(Lower)
262E	4350JA3005B	Ring	903D	6500JK1003A	Sensor,Temperature
281A	3550JJ2013B	Cover,Hinge	B01	J351-00004L	Screw,Customized
281B	4775JJ2003B	Hinge Assembly,Upper	B03	J351-00004P	Screw,Customized
281E	5006JJ3003D	Cap,Hinge	S01	4J00415D	Screw,Customized
282B	4775JJ2002A	Hinge Assembly,Center	S14	3J05696W	Screw,Customized
282C	1PZZJJ3002F	Pin,Common	S16	1TCL0302818	Screw,Tapping
282E	5006JJ2001E	Cap,Hinge	S20	4001JA3001A	Screw Assembly
282H	5006JJ3004A	Cap,Hinge	S22	J471-00001J	Screw,Customized
283B	4775JJ2013B	Hinge Assembly,Lower	S24	1SZZJA3011B	Screw,Customized
283F	4620JJ2007A	Stopper,Door	S28	1SZZJJ3005E	Screw,Customized
284A	3550JJ2023A	Cover,Grille Fan	S29	4J00415D	Screw,Customized
284C	5006JA3080A	Cap,Screw	S31	4000W4A003A	Screw,Customized

Loc No.	Part No.	Description	Loc No.	Part No.	Description
103A	3650JJ2003H	Handle,Rear	286A	4984JJ3003A	BUSH
103B	3650JJ2003D	Handle,Rear	301A	5421JJ0002A	Evaporator Assembly
103C	3551JJ1015H	Cover Assembly,Lower	304A	3551JJ2008B	Cover Assembly,Machinery(Rear)
103E	5218JJ3001A	Rail,Slide	305B	4580JJ3001A	Roller
105A	5251JA3003B	Tube Assembly,Drain	305C	4J04238A	Pin,Common
105F	5070JJ3002A	Skirt,Lower	307A	TCA33414101	Compressor,Set Assembly
106A	4779JA2003A	Leg Assembly,Adjust	308A	6748C-0004D	Thermistor Assembly,PTC
110D	4940JL2001C	Knob,Shutter	309A	6750C-0005P	Overload Protect
113A	4930JJ2008A	Holder,Bracket	310A	3550JA2059A	Cover,PTC
113B	4930JJ2005A	Holder,Gasket	312A	5040JA3031A	Damper,Compressor
113C	4970JA3016A	Spring	314A	4620JA3009A	Stopper,Compressor
113D	4986JJ2003B	Gasket,Betta	315A	3103JJ1001J	Base Assembly,Compressor
120A	4995JJ1004B	Case Assembly,Control Refrigerator	317A	5851JJ2002F	Drier Assembly
120B	4994JJ0003A	Case,Control Refrigerator	318A	4930JA3034A	Holder,Drier
125D	4930JJ3007A	Holder,Bracket	319A	3390JJ0004A	Tray,Drip
128A	4975JJ2002A	Guide Assembly,Rail	319C	MEA41997401	Guide,Fan
128B	4975JJ2002B	Guide Assembly,Rail	319E	4810JJ2005A	Bracket,Motor
131A	5074JJ1007A	Bucket,Ice	323B	5403JJ1008A	Condenser Assembly,Wire
140D	MHL38615403	Shelf,Net	327A	5006JA3034A	Cap,Drain Tube
140E	MHL38615404	Shelf,Net	328A	4J03020A	Damper,Pipe
142B	5027JJ1039A	Shelf Assembly,Refrigerator	329A	5901JJ1003A	Fan Assembly
142D	5026JJ2001L	Shelf,Net	329C	ADP36665702	Fan Assembly
142E	5026JJ2001M	Shelf,Net	330B	MHN58555001	Shroud,Freezer
143E	5027JJ1013H	Shelf Assembly,Refrigerator	332A	3531JJ1005F	Grille Assembly,Fan
143F	5027JJ1013S	Shelf Assembly,Refrigerator	401A	4781JK2001A	Controller Assembly
145A	4930JJ2003A	Holder,Shelf	404A	4681JK1004A	AC Motor
145B	4930JJ2004A	Holder,Shelf	404Z	6877JB1223F	Harness Assembly
149A	3806JJ3001B	Decor,Shelf	405B	5040JJ2001A	Damper,Motor Support
149F	MHL58275201	Shelf,Freezer	405C	5040JA2009B	Damper,Motor Support
151A	3391JJ1020B	Tray Assembly,Vegetable	405F	5040JA2004B	Damper,Motor Support
151C	4940JJ2003C	KNOB,SHUTTER	406B	6600JB2004C	Switch,Push Button
154A	MCK61620302	Cover,TV	409B	6912JK2002E	Lamp,Incandescent
155B	4980JJ1010A	Supporter,Cover TV	410G	0CZZJB2012J	Capacitor,Electric Appliance Film,Box
158A	3550JJ2027A	Cover,Lamp	411A	6411JK1006A	Power Cord Assembly
167B	4890JL1002V	Shelf,Glass	412D	6877JK2011D	Harness Assembly
170A	3391JJ2004H	Tray Assembly,Meat	418A	5300JK1003J	Heater,Sheath
200A	ADC71006709	Door Assembly,Freezer	420A	4681JB1029J	Motor,DC
201A	ADD71006808	Door Foam Assembly,Freezer	501A	EBR41531306	PCB Assembly,Main
203A	ADX52752621	Gasket Assembly,Door	501F	3551JJ1020A	Cover Assembly,PCB
205D	5004JJ1024A	Basket,Door	503C	6871JB2036D	PCB Assembly,Display
210A	4620JJ2009A	Stopper,Door	503D	3110JJ2003A	Case,Display
210B	4974JA3031B	Guide,Stopper	600A	5989JA0002P	Ice Maker Assembly,Kit
212G	4140JD1031A	Name Plate	600C	MEA32865501	Guide,Tube
230A	ADC71006919	Door Assembly,Refrigerator	602A	4931JA3005B	Holder Assembly,Bracket
231A	ADD71007019	Door Foam Assembly,Refrigerator	616E	5211JA2003C	Tube Assembly,Inject
233A	ADX52752620	Gasket Assembly,Door	618A	5210JJ3006B	Tube,Inject
241A	3550JL2003M	Cover,Tray	619A	5220JA2009D	Valve,Water
241B	5004JJ1036A	Basket,Door	619B	3550JJ2024A	Cover,Valve
241C	5004JJ1023A	Basket,Door	619C	AJU55759301	Valve Assembly,Water
241D	5004JJ1025A	Basket,Door	622B	MJH61841901	Supporter,Tube Guide
241E	5004JJ1038A	Basket,Door	623C	4770JA3001A	Band
243A	4620JJ3006D	Stopper,Door	903A	3550JJ0006D	Cover,Lower
262D	4004JA3002A	Clip	903B	4930JJ2021A	Holder,Cover(Lower)
262E	4350JA3005B	Ring	903D	6500JK1003A	Sensor,Temperature
281A	3550JJ2013D	Cover,Hinge	B01	J351-00004L	Screw,Customized
281B	4775JJ2003B	Hinge Assembly,Upper	B03	J351-00004P	Screw,Customized
281E	5006JJ3003F	Cap,Hinge	S01	4J00415D	Screw,Customized
282B	4775JJ2002A	Hinge Assembly,Center	S14	3J05696W	Screw,Customized
282C	1PZZJJ3002F	Pin,Common	S16	1TCL0302818	Screw,Tapping
282E	5006JJ2001G	Cap,Hinge	S20	4001JA3001A	Screw Assembly
282H	5006JJ3004F	Cap,Hinge	S22	J471-00001J	Screw,Customized
283B	4775JJ2013B	Hinge Assembly,Lower	S24	1SZZJA3011B	Screw,Customized
283F	4620JJ2007A	Stopper,Door	S28	1SZZJJ3005E	Screw,Customized
284A	3550JJ2023A	Cover,Grille Fan	S29	4J00415D	Screw,Customized
284C	5006JA3080A	Cap,Screw	S31	4000W4A003A	Screw,Customized

Loc No.	Part No.	Description	Loc No.	Part No.	Description
103A	3650JJ2003M	Handle,Rear	286A	4984JJ3003A	BUSH
103B	3650JJ2003L	Handle,Rear	301A	5421JJ0002A	Evaporator Assembly
103C	3551JJ1015F	Cover Assembly,Lower	304A	3551JJ2008B	Cover Assembly,Machinery(Rear)
103E	5218JJ3001A	Rail,Slide	305B	4580JJ3001A	Roller
105A	5251JA3003B	Tube Assembly,Drain	305C	4J04238A	Pin,Common
105F	5070JJ3002A	Skirt,Lower	307A	TCA33414101	Compressor,Set Assembly
106A	4779JA2003A	Leg Assembly,Adjust	308A	6748C-0004D	Thermistor Assembly,PTC
110D	4940JL2001C	Knob,Shutter	309A	6750C-0005P	Overload Protect
113A	4930JJ2008A	Holder,Bracket	310A	3550JA2059A	Cover,PTC
113B	4930JJ2005A	Holder,Gasket	312A	5040JA3031A	Damper,Compressor
113C	4970JA3016A	Spring	314A	4620JA3009A	Stopper,Compressor
113D	4986JJ2003B	Gasket,Betta	315A	3103JJ1001J	Base Assembly,Compressor
120A	4995JJ1004B	Case Assembly,Control Refrigerator	317A	5851JJ2002F	Drier Assembly
120B	4994JJ0003A	Case,Control Refrigerator	318A	4930JA3034A	Holder,Drier
125D	4930JJ3007A	Holder,Bracket	319A	3390JJ0004A	Tray,Drip
128A	4975JJ2002A	Guide Assembly,Rail	319C	MEA41997401	Guide,Fan
128B	4975JJ2002B	Guide Assembly,Rail	319E	4810JJ2005A	Bracket,Motor
131A	5074JJ1007A	Bucket,Ice	323B	5403JJ1008A	Condenser Assembly,Wire
140D	MHL38615403	Shelf,Net	327A	5006JA3034A	Cap,Drain Tube
140E	MHL38615404	Shelf,Net	328A	4J03020A	Damper,Pipe
142B	5027JJ1039A	Shelf Assembly,Refrigerator	329A	5901JJ1003A	Fan Assembly
142D	5026JJ2001L	Shelf,Net	329C	ADP36665702	Fan Assembly
142E	5026JJ2001M	Shelf,Net	330B	MHN58555001	Shroud,Freezer
143E	5027JJ1013H	Shelf Assembly,Refrigerator	332A	3531JJ1005F	Grille Assembly,Fan
143F	5027JJ1013S	Shelf Assembly,Refrigerator	401A	4781JK2001A	Controller Assembly
145A	4930JJ2003A	Holder,Shelf	404A	4681JK1004A	AC Motor
145B	4930JJ2004A	Holder,Shelf	404Z	6877JB1223F	Harness Assembly
149A	3806JJ3001B	Decor,Shelf	405B	5040JJ2001A	Damper,Motor Support
149F	MHL58275201	Shelf,Freezer	405C	5040JA2009B	Damper,Motor Support
151A	3391JJ1020B	Tray Assembly,Vegetable	405F	5040JA2004B	Damper,Motor Support
151C	4940JJ2003C	KNOB,SHUTTER	406B	6600JB2004B	Switch,Push Button
154A	MCK61620302	Cover,TV	409B	6912JK2002E	Lamp,Incandescent
155B	4980JJ1010A	Supporter,Cover TV	410G	0CZZJB2012J	Capacitor,Electric Appliance Film,Box
158A	3550JJ2027A	Cover,Lamp	411A	6411JK1006A	Power Cord Assembly
167B	4890JL1002V	Shelf,Glass	412D	6877JK2011D	Harness Assembly
170A	3391JJ2004H	Tray Assembly,Meat	418A	5300JK1003J	Heater,Sheath
200A	ADC71006707	Door Assembly,Freezer	420A	4681JB1029J	Motor,DC
201A	ADD71006807	Door Foam Assembly,Freezer	501A	EBR41531306	PCB Assembly,Main
203A	ADX52752619	Gasket Assembly,Door	501F	3551JJ1020A	Cover Assembly,PCB
205D	5004JJ1024A	Basket,Door	503C	6871JB2036D	PCB Assembly,Display
210A	4620JJ2009B	Stopper,Door	503D	3110JJ2003A	Case,Display
210B	4974JA3031B	Guide,Stopper	600A	5989JA0002P	Ice Maker Assembly,Kit
212G	4140JD1031A	Name Plate	600C	MEA32865501	Guide,Tube
230A	ADC71006917	Door Assembly,Refrigerator	602A	4931JA3005B	Holder Assembly,Bracket
231A	ADD71007017	Door Foam Assembly,Refrigerator	616E	5211JA2003C	Tube Assembly,Inject
233A	ADX52752618	Gasket Assembly,Door	618A	5210JJ3006B	Tube,Inject
241A	3550JL2003M	Cover,Tray	619A	5220JA2009D	Valve,Water
241B	5004JJ1036A	Basket,Door	619B	3550JJ2024A	Cover,Valve
241C	5004JJ1023A	Basket,Door	619C	AJU55759301	Valve Assembly,Water
241D	5004JJ1025A	Basket,Door	622B	MJH61841901	Supporter,Tube Guide
241E	5004JJ1038A	Basket,Door	623C	4770JA3001A	Band
243A	4620JJ3006C	Stopper,Door	903A	3550JJ0006C	Cover,Lower
262D	4004JA3002A	Clip	903B	4930JJ2021A	Holder,Cover(Lower)
262E	4350JA3005B	Ring	903D	6500JK1003A	Sensor,Temperature
281A	3550JJ2013C	Cover,Hinge	B01	J351-00004L	Screw,Customized
281B	4775JJ2003B	Hinge Assembly,Upper	B03	J351-00004P	Screw,Customized
281E	5006JJ3003E	Cap,Hinge	S01	4J00415D	Screw,Customized
282B	4775JJ2002A	Hinge Assembly,Center	S14	3J05696W	Screw,Customized
282C	1PZZJJ3002F	Pin,Common	S16	1TCL0302818	Screw,Tapping
282E	5006JJ2001F	Cap,Hinge	S20	4001JA3001A	Screw Assembly
282H	5006JJ3004E	Cap,Hinge	S22	J471-00001J	Screw,Customized
283B	4775JJ2013B	Hinge Assembly,Lower	S24	1SZZJA3011B	Screw,Customized
283F	4620JJ2007B	Stopper,Door	S28	1SZZJJ3005E	Screw,Customized
284A	3550JJ2023A	Cover,Grille Fan	S29	4J00415D	Screw,Customized
284C	5006JA3080A	Cap,Screw	S31	4000W4A003A	Screw,Customized

Loc No.	Part No.	Description	Loc No.	Part No.	Description
103A	3650JJ2003E	Handle,Rear	282C	1PZZJJ3002F	Pin,Common
103B	3650JJ2003A	Handle,Rear	282E	5006JJ2001A	Cap,Hinge
103C	3551JJ1015A	Cover Assembly,Lower	282H	5006JJ3004A	Cap,Hinge
103E	5218JJ3001A	Rail,Slide	282X	5006JJ3010A	Cap,Handle
105A	5251JA3003B	Tube Assembly,Drain	283B	4775JJ2013B	Hinge Assembly,Lower
105F	5070JJ3002A	Skirt,Lower	283F	4620JJ2007A	Stopper,Door
106A	4779JA2003A	Leg Assembly,Adjust	284A	3550JJ2023A	Cover,Grille Fan
110D	4940JL2001C	Knob,Shutter	284C	5006JA3080A	Cap,Screw
113A	4930JJ2008A	Holder,Bracket	286A	4984JJ3003A	BUSH
113B	4930JJ2005A	Holder,Gasket	301A	5421JJ0003A	Evaporator Assembly
113C	4970JA3016A	Spring	304A	3551JJ2008A	Cover Assembly,Machinery(Rear)
113D	4986JJ2003B	Gasket,Betta	305B	4580JJ3001A	Roller
120A	4995JJ1004C	Case Assembly,Control Refrigerator	305C	4J04238A	Pin,Common
120B	4994JJ0003A	Case,Control Refrigerator	307A	TCA33414101	Compressor,Set Assembly
125A	3390JJ1023A	Tray,Ice	308A	6748C-0004D	Thermistor Assembly,PTC
125D	4930JJ3007A	Holder,Bracket	309A	6750C-0005P	Overload Protect
128A	4975JJ2002A	Guide Assembly,Rail	310A	3550JA2059A	Cover,PTC
128B	4975JJ2002B	Guide Assembly,Rail	312A	5040JA3031A	Damper,Compressor
131A	5074JJ1006A	Bucket,Ice	314A	4620JA3009A	Stopper,Compressor
140B	5027JJ1037A	Shelf Assembly,Refrigerator	315A	3103JJ1001K	Base Assembly,Compressor
140D	MHL38615403	Shelf,Net	317A	5851JJ2002F	Drier Assembly
140E	MHL38615404	Shelf,Net	318A	4930JA3034A	Holder,Drier
141D	5027JJ2011A	Shelf Assembly,Refrigerator	319A	3390JJ0004A	Tray,Drip
141E	5027JJ2005T	Shelf Assembly,Net	319C	MEA41997401	Guide,Fan
142D	5026JJ2001L	Shelf,Net	319E	4810JJ2005A	Bracket,Motor
142E	5026JJ2001M	Shelf,Net	323B	5403JJ1008A	Condenser Assembly,Wire
143E	5027JJ1013G	Shelf Assembly,Refrigerator	327A	5006JA3034A	Cap,Drain Tube
143F	5027JJ1013P	Shelf Assembly,Refrigerator	328A	4J03020A	Damper,Pipe
145A	4930JJ2003A	Holder,Shelf	329A	5901JJ1003A	Fan Assembly
145B	4930JJ2004A	Holder,Shelf	329C	ADP36665702	Fan Assembly
149A	3806JJ3001A	DECOR,SHELF	330B	MHN58555001	Shroud,Freezer
149C	5027JJ2010A	Shelf Assembly,Refrigerator	332A	3531JJ1006F	Grille Assembly,Fan
149E	5027JJ2009C	Shelf Assembly,Refrigerator	401A	4781JK2001A	Controller Assembly
149F	5026JJ1196A	SHELF,FREEZER	404A	4681JK1004A	AC Motor
151A	3391JJ1020A	Tray Assembly,Vegetable	404Z	6877JB1223F	Harness Assembly
151C	4940JJ2003C	KNOB,SHUTTER	405B	5040JJ2001A	Damper,Motor Support
154A	MCK61620301	Cover,TV	405C	5040JA2009B	Damper,Motor Support
155B	4980JJ1010A	Supporter,Cover TV	405F	5040JA2004B	Damper,Motor Support
158A	3550JJ2027A	Cover,Lamp	406B	6600JB2004A	Switch,Push Button
167B	4890JL1002U	SHELF,GLASS	409B	6912JK2002E	Lamp,Incandescent
170A	3391JJ2004G	Tray Assembly,Meat	410G	0CZZJB2012J	Capacitor,Electric Appliance Film,Box
200A	ADC71006701	Door Assembly,Freezer	411A	6411JK1006A	Power Cord Assembly
201A	5433JJ0086A	Door Foam Assembly,Freezer	412D	6877JK2011D	Harness Assembly
203A	ADX52752611	Gasket Assembly,Door	418A	5300JK1003D	Heater,Sheath
205D	5004JJ1015A	Basket,Door	420A	4681JB1029J	Motor,DC
210A	4620JJ2009A	Stopper,Door	501A	EBR41531306	PCB Assembly,Main
210B	4974JA3031B	Guide,Stopper	501F	3551JJ1020A	Cover Assembly,PCB
212G	4140JD1031A	Name Plate	503C	6871JB2036D	PCB Assembly,Display
230A	ADC71006901	Door Assembly,Refrigerator	503D	3110JJ2003A	Case,Display
231A	ADD71007001	Door Foam Assembly,Refrigerator	619B	3550JJ2024A	Cover,Valve
233A	ADX52752610	Gasket Assembly,Door	623H	5006JA3085A	Cap,Cover
234B	3806JL1004J	Decor,Duct	903A	3550JJ0005A	Cover,Lower
241A	3550JJ1030A	Cover,Tray	903B	4930JJ2021A	Holder,Cover(Lower)
241B	5004JJ1037A	Basket,Door	903D	6500JK1003A	Sensor,Temperature
241C	AAP72909001	Basket Assembly,Door	B01	J351-00004L	Screw,Customized
241D	5004JJ1016A	Basket,Door	B03	J351-00004P	Screw,Customized
241E	5004JJ1039A	Basket,Door	S01	4J00415D	Screw,Customized
243A	4620JJ3006A	Stopper,Door	S14	3J05696W	Screw,Customized
262E	4350JA3005B	Ring	S16	1TCL0302818	Screw,Tapping
281A	3550JJ2013A	Cover,Hinge	S20	4001JA3001A	Screw Assembly
281B	4775JJ2003B	Hinge Assembly,Upper	S22	4J01425A	Screw,Customized
281E	5006JJ3003A	Cap,Hinge	S24	1SZZJA3011B	Screw,Customized
282B	4775JJ2002A	Hinge Assembly,Center			

Loc No.	Part No.	Description	Loc No.	Part No.	Description
103A	3650JJ2003H	Handle,Rear	282C	1PZZJJ3002F	Pin,Common
103B	3650JJ2003D	Handle,Rear	282E	5006JJ2001G	Cap,Hinge
103C	3551JJ1015G	CoverAssembly,Lower	282H	5006JJ3004F	Cap,Hinge
103E	5218JJ3001A	Rail,Slide	282X	5006JJ3010A	Cap,Handle
105A	5251JA3003B	TubeAssembly,Drain	283B	4775JJ2013B	HingeAssembly,Lower
105F	5070JJ3002A	Skirt,Lower	283F	4620JJ2007A	Stopper,Door
106A	4779JA2003A	LegAssembly,Adjust	284A	3550JJ2023A	Cover,GrilleFan
110D	4940JL2001C	Knob,Shutter	284C	5006JA3080A	Cap,Screw
113A	4930JJ2008A	Holder,Bracket	286A	4984JJ3003A	BUSH
113B	4930JJ2005A	Holder,Gasket	301A	5421JJ0003A	EvaporatorAssembly
113C	4970JA3016A	Spring	304A	3551JJ2008A	CoverAssembly,Machinery(Rear)
113D	4986JJ2003B	Gasket,Betta	305B	4580JJ3001A	Roller
120A	4995JJ1004C	CaseAssembly,ControlRefrigerator	305C	4J04238A	Pin,Common
120B	4994JJ0003A	Case,ControlRefrigerator	307A	TCA33414101	Compressor,SetAssembly
125A	3390JJ1023A	Tray,Ice	308A	6748C-0004D	ThermistorAssembly,PTC
125D	4930JJ3007A	Holder,Bracket	309A	6750C-0005P	OverloadProtect
128A	4975JJ2002A	GuideAssembly,Rail	310A	3550JA2059A	Cover,PTC
128B	4975JJ2002B	GuideAssembly,Rail	312A	5040JA3031A	Damper,Compressor
131A	5074JJ1006A	Bucket,Ice	314A	4620JA3009A	Stopper,Compressor
140B	5027JJ1037A	ShelfAssembly,Refrigerator	315A	3103JJ1001K	BaseAssembly,Compressor
140D	MHL38615403	Shelf,Net	317A	5851JJ2002F	DrierAssembly
140E	MHL38615404	Shelf,Net	318A	4930JA3034A	Holder,Drier
141D	5027JJ2011A	ShelfAssembly,Refrigerator	319A	3390JJ0004A	Tray,Drip
141E	5027JJ2005T	ShelfAssembly,Net	319C	MEA41997401	Guide,Fan
142D	5026JJ2001L	Shelf,Net	319E	4810JJ2005A	Bracket,Motor
142E	5026JJ2001M	Shelf,Net	323B	5403JJ1008A	CondenserAssembly,Wire
143E	5027JJ1013G	ShelfAssembly,Refrigerator	327A	5006JA3034A	Cap,DrainTube
143F	5027JJ1013P	ShelfAssembly,Refrigerator	328A	4J03020A	Damper,Pipe
145A	4930JJ2003A	Holder,Shelf	329A	5901JJ1003A	FanAssembly
145B	4930JJ2004A	Holder,Shelf	329C	ADP36665702	FanAssembly
149A	3806JJ3001A	DECOR,SHELF	330B	MHN58555001	Shroud,Freezer
149C	5027JJ2010A	ShelfAssembly,Refrigerator	332A	3531JJ1006F	GrilleAssembly,Fan
149E	5027JJ2009C	ShelfAssembly,Refrigerator	401A	4781JK2001A	ControllerAssembly
149F	5026JJ1196A	SHELF,FREEZER	404A	4681JK1004A	ACMotor
151A	3391JJ1020A	TrayAssembly,Vegetable	404Z	6877JB1223F	HarnessAssembly
151C	4940JJ2003C	KNOB,SHUTTER	405B	5040JJ2001A	Damper,MotorSupport
154A	MCK61620301	Cover,TV	405C	5040JA2009B	Damper,MotorSupport
155B	4980JJ1010A	Supporter,CoverTV	405F	5040JA2004B	Damper,MotorSupport
158A	3550JJ2027A	Cover,Lamp	406B	6600JB2004C	Switch,PushButton
167B	4890JL1002U	SHELF,GLASS	409B	6912JK2002E	Lamp,Incandescent
170A	3391JJ2004G	TrayAssembly,Meat	410G	0CZZJB2012J	Capacitor,ElectricApplianceFilm,Box
200A	ADC71006705	DoorAssembly,Freezer	411A	6411JK1006A	PowerCordAssembly
201A	ADD71006805	DoorFoamAssembly,Freezer	412D	6877JK2011D	HarnessAssembly
203A	ADX52752615	GasketAssembly,Door	418A	5300JK1003D	Heater,Sheath
205D	5004JJ1015A	Basket,Door	420A	4681JB1029J	Motor,DC
210A	4620JJ2009A	Stopper,Door	501A	EBR41531306	PCBAssembly,Main
210B	4974JA3031B	Guide,Stopper	501F	3551JJ1020A	CoverAssembly,PCB
212G	4140JD1031A	NamePlate	503C	6871JB2036D	PCBAssembly,Display
230A	ADC71006905	DoorAssembly,Refrigerator	503D	3110JJ2003A	Case,Display
231A	ADD71007005	DoorFoamAssembly,Refrigerator	619B	3550JJ2024A	Cover,Valve
233A	ADX52752614	GasketAssembly,Door	623H	5006JA3085A	Cap,Cover
234B	3806JL1004J	Decor,Duct	903A	3550JJ0005D	Cover,Lower
241A	3550JJ1030A	Cover,Tray	903B	4930JJ2021A	Holder,Cover(Lower)
241B	5004JJ1037A	Basket,Door	903D	6500JK1003A	Sensor,Temperature
241C	AAP72909001	BasketAssembly,Door	B01	J351-00004L	Screw,Customized
241D	5004JJ1016A	Basket,Door	B03	J351-00004P	Screw,Customized
241E	5004JJ1039A	Basket,Door	S01	4J00415D	Screw,Customized
243A	4620JJ3006D	Stopper,Door	S14	3J05696W	Screw,Customized
262E	4350JA3005B	Ring	S16	1TCL0302818	Screw,Tapping
281A	3550JJ2013D	Cover,Hinge	S20	4001JA3001A	ScrewAssembly
281B	4775JJ2003B	HingeAssembly,Upper	S22	4J01425A	Screw,Customized
281E	5006JJ3003F	Cap,Hinge	S24	1SZZJA3011B	Screw,Customized
282B	4775JJ2002A	HingeAssembly,Center			

Loc No.	Part No.	Description	Loc No.	Part No.	Description
103A	3650JJ2003M	Handle,Rear	282C	1PZZJJ3002F	Pin,Common
103B	3650JJ2003L	Handle,Rear	282E	5006JJ2001F	Cap,Hinge
103C	3551JJ1015E	CoverAssembly,Lower	282H	5006JJ3004E	Cap,Hinge
103E	5218JJ3001A	Rail,Slide	282X	5006JJ3010A	Cap,Handle
105A	5251JA3003B	TubeAssembly,Drain	283B	4775JJ2013B	HingeAssembly,Lower
105F	5070JJ3002A	Skirt,Lower	283F	4620JJ2007B	Stopper,Door
106A	4779JA2003A	LegAssembly,Adjust	284A	3550JJ2023A	Cover,GrilleFan
110D	4940JL2001C	Knob,Shutter	284C	5006JA3080A	Cap,Screw
113A	4930JJ2008A	Holder,Bracket	286A	4984JJ3003A	BUSH
113B	4930JJ2005A	Holder,Gasket	301A	5421JJ0003A	EvaporatorAssembly
113C	4970JA3016A	Spring	304A	3551JJ2008A	CoverAssembly,Machinery(Rear)
113D	4986JJ2003B	Gasket,Betta	305B	4580JJ3001A	Roller
120A	4995JJ1004C	CaseAssembly,ControlRefrigerator	305C	4J04238A	Pin,Common
120B	4994JJ0003A	Case,ControlRefrigerator	307A	TCA33414101	Compressor,SetAssembly
125A	3390JJ1023A	Tray,Ice	308A	6748C-0004D	ThermistorAssembly,PTC
125D	4930JJ3007A	Holder,Bracket	309A	6750C-0005P	OverloadProtect
128A	4975JJ2002A	GuideAssembly,Rail	310A	3550JA2059A	Cover,PTC
128B	4975JJ2002B	GuideAssembly,Rail	312A	5040JA3031A	Damper,Compressor
131A	5074JJ1006A	Bucket,Ice	314A	4620JA3009A	Stopper,Compressor
140B	5027JJ1037A	ShelfAssembly,Refrigerator	315A	3103JJ1001K	BaseAssembly,Compressor
140D	MHL38615403	Shelf,Net	317A	5851JJ2002F	DrierAssembly
140E	MHL38615404	Shelf,Net	318A	4930JA3034A	Holder,Drier
141D	5027JJ2011A	ShelfAssembly,Refrigerator	319A	3390JJ0004A	Tray,Drip
141E	5027JJ2005T	ShelfAssembly,Net	319C	MEA41997401	Guide,Fan
142D	5026JJ2001L	Shelf,Net	319E	4810JJ2005A	Bracket,Motor
142E	5026JJ2001M	Shelf,Net	323B	5403JJ1008A	CondenserAssembly,Wire
143E	5027JJ1013G	ShelfAssembly,Refrigerator	327A	5006JA3034A	Cap,DrainTube
143F	5027JJ1013P	ShelfAssembly,Refrigerator	328A	4J03020A	Damper,Pipe
145A	4930JJ2003A	Holder,Shelf	329A	5901JJ1003A	FanAssembly
145B	4930JJ2004A	Holder,Shelf	329C	ADP36665702	FanAssembly
149A	3806JJ3001A	DECOR,SHELF	330B	MHN58555001	Shroud,Freezer
149C	5027JJ2010A	ShelfAssembly,Refrigerator	332A	3531JJ1006F	GrilleAssembly,Fan
149E	5027JJ2009C	ShelfAssembly,Refrigerator	401A	4781JK2001A	ControllerAssembly
149F	5026JJ1196A	SHELF,FREEZER	404A	4681JK1004A	ACMotor
151A	3391JJ1020A	TrayAssembly,Vegetable	404Z	6877JB1223F	HarnessAssembly
151C	4940JJ2003C	KNOB,SHUTTER	405B	5040JJ2001A	Damper,MotorSupport
154A	MCK61620301	Cover,TV	405C	5040JA2009B	Damper,MotorSupport
155B	4980JJ1010A	Supporter,CoverTV	405F	5040JA2004B	Damper,MotorSupport
158A	3550JJ2027A	Cover,Lamp	406B	6600JB2004B	Switch,PushButton
167B	4890JL1002U	SHELF,GLASS	409B	6912JK2002E	Lamp,Incandescent
170A	3391JJ2004G	TrayAssembly,Meat	410G	0CZZJB2012J	Capacitor,ElectricApplianceFilm,Box
200A	ADC71006702	DoorAssembly,Freezer	411A	6411JK1006A	PowerCordAssembly
201A	5433JJ0086B	DoorFoamAssembly,Freezer	412D	6877JK2011D	HarnessAssembly
203A	ADX52752613	GasketAssembly,Door	418A	5300JK1003D	Heater,Sheath
205D	5004JJ1015A	Basket,Door	420A	4681JB1029J	Motor,DC
210A	4620JJ2009B	Stopper,Door	501A	EBR41531306	PCBAsembly,Main
210B	4974JA3031B	Guide,Stopper	501F	3551JJ1020A	CoverAssembly,PCB
212G	4140JD1031A	NamePlate	503C	6871JB2036D	PCBAsembly,Display
230A	ADC71006902	DoorAssembly,Refrigerator	503D	3110JJ2003A	Case,Display
231A	ADD71007002	DoorFoamAssembly,Refrigerator	619B	3550JJ2024A	Cover,Valve
233A	ADX52752612	GasketAssembly,Door	623H	5006JA3085A	Cap,Cover
234B	3806JL1004J	Decor,Duct	903A	3550JJ0005C	Cover,Lower
241A	3550JJ1030A	Cover,Tray	903B	4930JJ2021A	Holder,Cover(Lower)
241B	5004JJ1037A	Basket,Door	903D	6500JK1003A	Sensor,Temperature
241C	AAP72909001	BasketAssembly,Door	B01	J351-00004L	Screw,Customized
241D	5004JJ1016A	Basket,Door	B03	J351-00004P	Screw,Customized
241E	5004JJ1039A	Basket,Door	S01	4J00415D	Screw,Customized
243A	4620JJ3006C	Stopper,Door	S14	3J05696W	Screw,Customized
262E	4350JA3005B	Ring	S16	1TCL0302818	Screw,Tapping
281A	3550JJ2013C	Cover,Hinge	S20	4001JA3001A	ScrewAssembly
281B	4775JJ2003B	HingeAssembly,Upper	S22	4J01425A	Screw,Customized
281E	5006JJ3003E	Cap,Hinge	S24	1SZZJA3011B	Screw,Customized
282B	4775JJ2002A	HingeAssembly,Center			

Loc No.	Part No.	Description	Loc No.	Part No.	Description
103A	3650JJ2003E	Handle,Rear	282C	1PZZJJ3002F	Pin,Common
103B	3650JJ2003A	Handle,Rear	282E	5006JJ2001A	Cap,Hinge
103C	3551JJ1015B	CoverAssembly,Lower	282H	5006JJ3004A	Cap,Hinge
103E	5218JJ3001A	Rail,Slide	282X	5006JJ3010A	Cap,Handle
105A	5251JA3003B	TubeAssembly,Drain	283B	4775JJ2013B	HingeAssembly,Lower
105F	5070JJ3002A	Skirt,Lower	283F	4620JJ2007A	Stopper,Door
106A	4779JA2003A	LegAssembly,Adjust	284A	3550JJ2023A	Cover,GrilleFan
110D	4940JL2001C	Knob,Shutter	284C	5006JA3080A	Cap,Screw
113A	4930JJ2008A	Holder,Bracket	286A	4984JJ3003A	BUSH
113B	4930JJ2005A	Holder,Gasket	301A	5421JJ0002A	EvaporatorAssembly
113C	4970JA3016A	Spring	304A	3551JJ2008B	CoverAssembly,Machinery(Rear)
113D	4986JJ2003B	Gasket,Betta	305B	4580JJ3001A	Roller
120A	4995JJ1004C	CaseAssembly,ControlRefrigerator	305C	4J04238A	Pin,Common
120B	4994JJ0003A	Case,ControlRefrigerator	307A	TCA33414101	Compressor,SetAssembly
125A	3390JJ1023A	Tray,Ice	308A	6748C-0004D	ThermistorAssembly,PTC
125D	4930JJ3007A	Holder,Bracket	309A	6750C-0005P	OverloadProtect
128A	4975JJ2002A	GuideAssembly,Rail	310A	3550JA2059A	Cover,PTC
128B	4975JJ2002B	GuideAssembly,Rail	312A	5040JA3031A	Damper,Compressor
131A	5074JJ1006A	Bucket,Ice	314A	4620JA3009A	Stopper,Compressor
140B	5027JJ1039A	ShelfAssembly,Refrigerator	315A	3103JJ1001J	BaseAssembly,Compressor
140D	MHL38615403	Shelf,Net	317A	5851JJ2002F	DrierAssembly
140E	MHL38615404	Shelf,Net	318A	4930JA3034A	Holder,Drier
141D	5027JJ2011B	ShelfAssembly,Refrigerator	319A	3390JJ0004A	Tray,Drip
141E	5027JJ2005V	ShelfAssembly,Net	319C	MEA41997401	Guide,Fan
142D	5026JJ2001L	Shelf,Net	319E	4810JJ2005A	Bracket,Motor
142E	5026JJ2001M	Shelf,Net	323B	5403JJ1008A	CondenserAssembly,Wire
143E	5027JJ1013H	ShelfAssembly,Refrigerator	327A	5006JA3034A	Cap,DrainTube
143F	5027JJ1013S	ShelfAssembly,Refrigerator	328A	4J03020A	Damper,Pipe
145A	4930JJ2003A	Holder,Shelf	329A	5901JJ1003A	FanAssembly
145B	4930JJ2004A	Holder,Shelf	329C	ADP36665702	FanAssembly
149A	3806JJ3001B	Decor,Shelf	330B	MHN58555001	Shroud,Freezer
149C	5027JJ2010B	ShelfAssembly,Refrigerator	332A	3531JJ1005F	GrilleAssembly,Fan
149E	5027JJ2009D	ShelfAssembly,Refrigerator	401A	4781JK2001A	ControllerAssembly
149F	MHL58275201	Shelf,Freezer	404A	4681JK1004A	ACMotor
151A	3391JJ1020B	TrayAssembly,Vegetable	404Z	6877JB1223F	HarnessAssembly
151C	4940JJ2003C	KNOB,SHUTTER	405B	5040JJ2001A	Damper,MotorSupport
154A	MCK61620302	Cover,TV	405C	5040JA2009B	Damper,MotorSupport
155B	4980JJ1010A	Supporter,CoverTV	405F	5040JA2004B	Damper,MotorSupport
158A	3550JJ2027A	Cover,Lamp	406B	6600JB2004A	Switch,PushButton
167B	4890JL1002V	Shelf,Glass	409B	6912JK2002E	Lamp,Incandescent
170A	3391JJ2004H	TrayAssembly,Meat	410G	0CZZJB2012J	Capacitor,ElectricApplianceFilm,Box
200A	ADC71006706	DoorAssembly,Freezer	411A	6411JK1006A	PowerCordAssembly
201A	ADD71006806	DoorFoamAssembly,Freezer	412D	6877JK2011D	HarnessAssembly
203A	ADX52752617	GasketAssembly,Door	418A	5300JK1003J	Heater,Sheath
205D	5004JJ1024A	Basket,Door	420A	4681JB1029J	Motor,DC
210A	4620JJ2009A	Stopper,Door	501A	EBR41531306	PCBAsembly,Main
210B	4974JA3031B	Guide,Stopper	501F	3551JJ1020A	CoverAssembly,PCB
212G	4140JD1031A	NamePlate	503C	6871JB2036D	PCBAsembly,Display
230A	ADC71006911	DoorAssembly,Refrigerator	503D	3110JJ2003A	Case,Display
231A	ADD71007011	DoorFoamAssembly,Refrigerator	619B	3550JJ2024A	Cover,Valve
233A	ADX52752616	GasketAssembly,Door	623H	5006JA3085A	Cap,Cover
234B	3806JL1004J	Decor,Duct	903A	3550JJ0006A	Cover,Lower
241A	3550JL2003M	Cover,Tray	903B	4930JJ2021A	Holder,Cover(Lower)
241B	5004JJ1036A	Basket,Door	903D	6500JK1003A	Sensor,Temperature
241C	AAP72909002	BasketAssembly,Door	B01	J351-00004L	Screw,Customized
241D	5004JJ1025A	Basket,Door	B03	J351-00004P	Screw,Customized
241E	5004JJ1038A	Basket,Door	S01	4J00415D	Screw,Customized
243A	4620JJ3006A	Stopper,Door	S14	3J05696W	Screw,Customized
262E	4350JA3005B	Ring	S16	1TCL0302818	Screw,Tapping
281A	3550JJ2013A	Cover,Hinge	S20	4001JA3001A	ScrewAssembly
281B	4775JJ2003B	HingeAssembly,Upper	S22	4J01425A	Screw,Customized
281E	5006JJ3003A	Cap,Hinge	S24	1SZZJA3011B	Screw,Customized
282B	4775JJ2002A	HingeAssembly,Center			

Loc No.	Part No.	Description	Loc No.	Part No.	Description
103A	3650JJ2003H	Handle,Rear	282C	1PZZJJ3002F	Pin,Common
103B	3650JJ2003D	Handle,Rear	282E	5006JJ2001G	Cap,Hinge
103C	3551JJ1015H	CoverAssembly,Lower	282H	5006JJ3004F	Cap,Hinge
103E	5218JJ3001A	Rail,Slide	282X	5006JJ3010A	Cap,Handle
105A	5251JA3003B	TubeAssembly,Drain	283B	4775JJ2013B	HingeAssembly,Lower
105F	5070JJ3002A	Skirt,Lower	283F	4620JJ2007A	Stopper,Door
106A	4779JA2003A	LegAssembly,Adjust	284A	3550JJ2023A	Cover,GrilleFan
110D	4940JL2001C	Knob,Shutter	284C	5006JA3080A	Cap,Screw
113A	4930JJ2008A	Holder,Bracket	286A	4984JJ3003A	BUSH
113B	4930JJ2005A	Holder,Gasket	301A	5421JJ0002A	EvaporatorAssembly
113C	4970JA3016A	Spring	304A	3551JJ2008B	CoverAssembly,Machinery(Rear)
113D	4986JJ2003B	Gasket,Betta	305B	4580JJ3001A	Roller
120A	4995JJ1004C	CaseAssembly,ControlRefrigerator	305C	4J04238A	Pin,Common
120B	4994JJ0003A	Case,ControlRefrigerator	307A	TCA33414101	Compressor,SetAssembly
125A	3390JJ1023A	Tray,Ice	308A	6748C-0004D	ThermistorAssembly,PTC
125D	4930JJ3007A	Holder,Bracket	309A	6750C-0005P	OverloadProtect
128A	4975JJ2002A	GuideAssembly,Rail	310A	3550JA2059A	Cover,PTC
128B	4975JJ2002B	GuideAssembly,Rail	312A	5040JA3031A	Damper,Compressor
131A	5074JJ1006A	Bucket,Ice	314A	4620JA3009A	Stopper,Compressor
140B	5027JJ1039A	ShelfAssembly,Refrigerator	315A	3103JJ1001J	BaseAssembly,Compressor
140D	MHL38615403	Shelf,Net	317A	5851JJ2002F	DrierAssembly
140E	MHL38615404	Shelf,Net	318A	4930JA3034A	Holder,Drier
141D	5027JJ2011B	ShelfAssembly,Refrigerator	319A	3390JJ0004A	Tray,Drip
141E	5027JJ2005V	ShelfAssembly,Net	319C	MEA41997401	Guide,Fan
142D	5026JJ2001L	Shelf,Net	319E	4810JJ2005A	Bracket,Motor
142E	5026JJ2001M	Shelf,Net	323B	5403JJ1008A	CondenserAssembly,Wire
143E	5027JJ1013H	ShelfAssembly,Refrigerator	327A	5006JA3034A	Cap,DrainTube
143F	5027JJ1013S	ShelfAssembly,Refrigerator	328A	4J03020A	Damper,Pipe
145A	4930JJ2003A	Holder,Shelf	329A	5901JJ1003A	FanAssembly
145B	4930JJ2004A	Holder,Shelf	329C	ADP36665702	FanAssembly
149A	3806JJ3001B	Decor,Shelf	330B	MHN58555001	Shroud,Freezer
149C	5027JJ2010B	ShelfAssembly,Refrigerator	332A	3531JJ1005F	GrilleAssembly,Fan
149E	5027JJ2009D	ShelfAssembly,Refrigerator	401A	4781JK2001A	ControllerAssembly
149F	MHL58275201	Shelf,Freezer	404A	4681JK1004A	ACMotor
151A	3391JJ1020B	TrayAssembly,Vegetable	404Z	6877JB1223F	HarnessAssembly
151C	4940JJ2003C	KNOB,SHUTTER	405B	5040JJ2001A	Damper,MotorSupport
154A	MCK61620302	Cover,TV	405C	5040JA2009B	Damper,MotorSupport
155B	4980JJ1010A	Supporter,CoverTV	405F	5040JA2004B	Damper,MotorSupport
158A	3550JJ2027A	Cover,Lamp	406B	6600JB2004C	Switch,PushButton
167B	4890JL1002V	Shelf,Glass	409B	6912JK2002E	Lamp,Incandescent
170A	3391JJ2004H	TrayAssembly,Meat	410G	0CZZJB2012J	Capacitor,ElectricApplianceFilm,Box
200A	ADC71006710	DoorAssembly,Freezer	411A	6411JK1006A	PowerCordAssembly
201A	ADD71006809	DoorFoamAssembly,Freezer	412D	6877JK2011D	HarnessAssembly
203A	ADX52752621	GasketAssembly,Door	418A	5300JK1003J	Heater,Sheath
205D	5004JJ1024A	Basket,Door	420A	4681JB1029J	Motor,DC
210A	4620JJ2009A	Stopper,Door	501A	EBR41531306	PCBAsembly,Main
210B	4974JA3031B	Guide,Stopper	501F	3551JJ1020A	CoverAssembly,PCB
212G	4140JD1031A	NamePlate	503C	6871JB2036D	PCBAsembly,Display
230A	ADC71006915	DoorAssembly,Refrigerator	503D	3110JJ2003A	Case,Display
231A	ADD71007015	DoorFoamAssembly,Refrigerator	619B	3550JJ2024A	Cover,Valve
233A	ADX52752620	GasketAssembly,Door	623H	5006JA3085A	Cap,Cover
234B	3806JL1004J	Decor,Duct	903A	3550JJ0006D	Cover,Lower
241A	3550JL2003M	Cover,Tray	903B	4930JJ2021A	Holder,Cover(Lower)
241B	5004JJ1036A	Basket,Door	903D	6500JK1003A	Sensor,Temperature
241C	AAP72909002	BasketAssembly,Door	B01	J351-00004L	Screw,Customized
241D	5004JJ1025A	Basket,Door	B03	J351-00004P	Screw,Customized
241E	5004JJ1038A	Basket,Door	S01	4J00415D	Screw,Customized
243A	4620JJ3006D	Stopper,Door	S14	3J05696W	Screw,Customized
262E	4350JA3005B	Ring	S16	1TCL0302818	Screw,Tapping
281A	3550JJ2013D	Cover,Hinge	S20	4001JA3001A	ScrewAssembly
281B	4775JJ2003B	HingeAssembly,Upper	S22	4J01425A	Screw,Customized
281E	5006JJ3003F	Cap,Hinge	S24	1SZZJA3011B	Screw,Customized
282B	4775JJ2002A	HingeAssembly,Center			

Loc No.	Part No.	Description	Loc No.	Part No.	Description
103A	3650JJ2003M	Handle,Rear	282C	1PZZJJ3002F	Pin,Common
103B	3650JJ2003L	Handle,Rear	282E	5006JJ2001F	Cap,Hinge
103C	3551JJ1015F	CoverAssembly,Lower	282H	5006JJ3004E	Cap,Hinge
103E	5218JJ3001A	Rail,Slide	282X	5006JJ3010A	Cap,Handle
105A	5251JA3003B	TubeAssembly,Drain	283B	4775JJ2013B	HingeAssembly,Lower
105F	5070JJ3002A	Skirt,Lower	283F	4620JJ2007B	Stopper,Door
106A	4779JA2003A	LegAssembly,Adjust	284A	3550JJ2023A	Cover,GrilleFan
110D	4940JL2001C	Knob,Shutter	284C	5006JA3080A	Cap,Screw
113A	4930JJ2008A	Holder,Bracket	286A	4984JJ3003A	BUSH
113B	4930JJ2005A	Holder,Gasket	301A	5421JJ0002A	EvaporatorAssembly
113C	4970JA3016A	Spring	304A	3551JJ2008B	CoverAssembly,Machinery(Rear)
113D	4986JJ2003B	Gasket,Betta	305B	4580JJ3001A	Roller
120A	4995JJ1004C	CaseAssembly,ControlRefrigerator	305C	4J04238A	Pin,Common
120B	4994JJ0003A	Case,ControlRefrigerator	307A	TCA33414101	Compressor,SetAssembly
125A	3390JJ1023A	Tray,Ice	308A	6748C-0004D	ThermistorAssembly,PTC
125D	4930JJ3007A	Holder,Bracket	309A	6750C-0005P	OverloadProtect
128A	4975JJ2002A	GuideAssembly,Rail	310A	3550JA2059A	Cover,PTC
128B	4975JJ2002B	GuideAssembly,Rail	312A	5040JA3031A	Damper,Compressor
131A	5074JJ1006A	Bucket,Ice	314A	4620JA3009A	Stopper,Compressor
140B	5027JJ1039A	ShelfAssembly,Refrigerator	315A	3103JJ1001J	BaseAssembly,Compressor
140D	MHL38615403	Shelf,Net	317A	5851JJ2002F	DrierAssembly
140E	MHL38615404	Shelf,Net	318A	4930JA3034A	Holder,Drier
141D	5027JJ2011B	ShelfAssembly,Refrigerator	319A	3390JJ0004A	Tray,Drip
141E	5027JJ2005V	ShelfAssembly,Net	319C	MEA41997401	Guide,Fan
142D	5026JJ2001L	Shelf,Net	319E	4810JJ2005A	Bracket,Motor
142E	5026JJ2001M	Shelf,Net	323B	5403JJ1008A	CondenserAssembly,Wire
143E	5027JJ1013H	ShelfAssembly,Refrigerator	327A	5006JA3034A	Cap,DrainTube
143F	5027JJ1013S	ShelfAssembly,Refrigerator	328A	4J03020A	Damper,Pipe
145A	4930JJ2003A	Holder,Shelf	329A	5901JJ1003A	FanAssembly
145B	4930JJ2004A	Holder,Shelf	329C	ADP36665702	FanAssembly
149A	3806JJ3001B	Decor,Shelf	330B	MHN58555001	Shroud,Freezer
149C	5027JJ2010B	ShelfAssembly,Refrigerator	332A	3531JJ1005F	GrilleAssembly,Fan
149E	5027JJ2009D	ShelfAssembly,Refrigerator	401A	4781JK2001A	ControllerAssembly
149F	MHL58275201	Shelf,Freezer	404A	4681JK1004A	ACMotor
151A	3391JJ1020B	TrayAssembly,Vegetable	404Z	6877JB1223F	HarnessAssembly
151C	4940JJ2003C	KNOB,SHUTTER	405B	5040JJ2001A	Damper,MotorSupport
154A	MCK61620302	Cover,TV	405C	5040JA2009B	Damper,MotorSupport
155B	4980JJ1010A	Supporter,CoverTV	405F	5040JA2004B	Damper,MotorSupport
158A	3550JJ2027A	Cover,Lamp	406B	6600JB2004B	Switch,PushButton
167B	4890JL1002V	Shelf,Glass	409B	6912JK2002E	Lamp,Incandescent
170A	3391JJ2004H	TrayAssembly,Meat	410G	0CZZJB2012J	Capacitor,ElectricApplianceFilm,Box
200A	ADC71006707	DoorAssembly,Freezer	411A	6411JK1006A	PowerCordAssembly
201A	ADD71006807	DoorFoamAssembly,Freezer	412D	6877JK2011D	HarnessAssembly
203A	ADX52752619	GasketAssembly,Door	418A	5300JK1003J	Heater,Sheath
205D	5004JJ1024A	Basket,Door	420A	4681JB1029J	Motor,DC
210A	4620JJ2009B	Stopper,Door	501A	EBR41531306	PCBAsembly,Main
210B	4974JA3031B	Guide,Stopper	501F	3551JJ1020A	CoverAssembly,PCB
212G	4140JD1031A	NamePlate	503C	6871JB2036D	PCBAsembly,Display
230A	ADC71006912	DoorAssembly,Refrigerator	503D	3110JJ2003A	Case,Display
231A	ADD71007012	DoorFoamAssembly,Refrigerator	619B	3550JJ2024A	Cover,Valve
233A	ADX52752618	GasketAssembly,Door	623H	5006JA3085A	Cap,Cover
234B	3806JL1004J	Decor,Duct	903A	3550JJ0006C	Cover,Lower
241A	3550JL2003M	Cover,Tray	903B	4930JJ2021A	Holder,Cover(Lower)
241B	5004JJ1036A	Basket,Door	903D	6500JK1003A	Sensor,Temperature
241C	AAP72909002	BasketAssembly,Door	B01	J351-00004L	Screw,Customized
241D	5004JJ1025A	Basket,Door	B03	J351-00004P	Screw,Customized
241E	5004JJ1038A	Basket,Door	S01	4J00415D	Screw,Customized
243A	4620JJ3006C	Stopper,Door	S14	3J05696W	Screw,Customized
262E	4350JA3005B	Ring	S16	1TCL0302818	Screw,Tapping
281A	3550JJ2013C	Cover,Hinge	S20	4001JA3001A	ScrewAssembly
281B	4775JJ2003B	HingeAssembly,Upper	S22	4J01425A	Screw,Customized
281E	5006JJ3003E	Cap,Hinge	S24	1SZZJA3011B	Screw,Customized
282B	4775JJ2002A	HingeAssembly,Center			

Loc No.	Part No.	Description	Loc No.	Part No.	Description
103A	3650JJ2003E	Handle,Rear	284A	3550JJ2023A	Cover,GrilleFan
103B	3650JJ2003A	Handle,Rear	284C	5006JA3080A	Cap,Screw
103C	3551JJ1015A	CoverAssembly,Lower	286A	4984JJ3003A	BUSH
103E	5218JJ3001A	Rail,Slide	301A	5421JJ0003A	EvaporatorAssembly
105A	5251JA3003B	TubeAssembly,Drain	304A	3551JJ2008A	CoverAssembly,Machinery(Rear)
105F	5070JJ3002A	Skirt,Lower	305B	4580JJ3001A	Roller
106A	4779JA2003A	LegAssembly,Adjust	305C	4J04238A	Pin,Common
110D	4940JL2001C	Knob,Shutter	307A	TCA33414101	Compressor,SetAssembly
113A	4930JJ2008A	Holder,Bracket	308A	6748C-0004D	ThermistorAssembly,PTC
113B	4930JJ2005A	Holder,Gasket	309A	6750C-0005P	OverloadProtect
113C	4970JA3016A	Spring	310A	3550JA2059A	Cover,PTC
113D	4986JJ2003B	Gasket,Betta	312A	5040JA3031A	Damper,Compressor
120A	4995JJ1004C	CaseAssembly,ControlRefrigerator	314A	4620JA3009A	Stopper,Compressor
120B	4994JJ0003A	Case,ControlRefrigerator	315A	3103JJ1001K	BaseAssembly,Compressor
125D	4930JJ3007A	Holder,Bracket	317A	5851JJ2002F	DrierAssembly
128A	4975JJ2002A	GuideAssembly,Rail	318A	4930JA3034A	Holder,Drier
128B	4975JJ2002B	GuideAssembly,Rail	319A	3390JJ0004A	Tray,Drip
131A	5074JJ1007A	Bucket,Ice	319C	MEA41997401	Guide,Fan
140B	5027JJ1037A	ShelfAssembly,Refrigerator	319E	4810JJ2005A	Bracket,Motor
140D	MHL38615403	Shelf,Net	323B	5403JJ1008A	CondenserAssembly,Wire
140E	MHL38615404	Shelf,Net	327A	5006JA3034A	Cap,DrainTube
141D	5027JJ2011A	ShelfAssembly,Refrigerator	328A	4J03020A	Damper,Pipe
141E	5027JJ2005T	ShelfAssembly,Net	329A	5901JJ1003A	FanAssembly
142D	5026JJ2001L	Shelf,Net	329C	ADP36665702	FanAssembly
142E	5026JJ2001M	Shelf,Net	330B	MHN58555001	Shroud,Freezer
143E	5027JJ1013G	ShelfAssembly,Refrigerator	332A	3531JJ1006F	GrilleAssembly,Fan
143F	5027JJ1013P	ShelfAssembly,Refrigerator	401A	4781JK2001A	ControllerAssembly
145A	4930JJ2003A	Holder,Shelf	404A	4681JK1004A	ACMotor
145B	4930JJ2004A	Holder,Shelf	404Z	6877JB1223F	HarnessAssembly
149A	3806JJ3001A	DECOR,SHELF	405B	5040JJ2001A	Damper,MotorSupport
149C	5027JJ2010A	ShelfAssembly,Refrigerator	405C	5040JA2009B	Damper,MotorSupport
149E	5027JJ2009C	ShelfAssembly,Refrigerator	405F	5040JA2004B	Damper,MotorSupport
149F	5026JJ1196A	SHELF,FREEZER	406B	6600JB2004A	Switch,PushButton
151A	3391JJ1020A	TrayAssembly,Vegetable	409B	6912JK2002E	Lamp,Incandescent
151C	4940JJ2003C	KNOB,SHUTTER	410G	0CZZJB2012J	Capacitor,ElectricApplianceFilm,Box
154A	MCK61620301	Cover,TV	411A	6411JK1006A	PowerCordAssembly
155B	4980JJ1010A	Supporter,CoverTV	412D	6877JK2011D	HarnessAssembly
158A	3550JJ2027A	Cover,Lamp	418A	5300JK1003D	Heater,Sheath
167B	4890JL1002U	SHELF,GLASS	420A	4681JB1029J	Motor,DC
170A	3391JJ2004G	TrayAssembly,Meat	501A	EBR41531306	PCBAAssembly,Main
200A	ADC71006701	DoorAssembly,Freezer	501F	3551JJ1020A	CoverAssembly,PCB
201A	5433JJ0086A	DoorFoamAssembly,Freezer	503C	6871JB2036D	PCBAAssembly,Display
203A	ADX52752611	GasketAssembly,Door	503D	3110JJ2003A	Case,Display
205D	5004JJ1015A	Basket,Door	600A	5989JA0002P	IceMakerAssembly,Kit
210A	4620JJ2009A	Stopper,Door	600C	MEA32865501	Guide,Tube
210B	4974JA3031B	Guide,Stopper	602A	4931JA3005B	HolderAssembly,Bracket
212G	4140JD1031A	NamePlate	616E	5211JA2003C	TubeAssembly,Inject
230A	ADC71006901	DoorAssembly,Refrigerator	618A	5210JJ3006B	Tube,Inject
231A	ADD71007001	DoorFoamAssembly,Refrigerator	619A	5220JA2009D	Valve,Water
233A	ADX52752610	GasketAssembly,Door	619B	3550JJ2024A	Cover,Valve
234B	3806JL1004J	Decor,Duct	619C	AJU55759301	ValveAssembly,Water
241A	3550JJ1030A	Cover,Tray	622B	MJH61841901	Supporter,TubeGuide
241B	5004JJ1037A	Basket,Door	623C	4770JA3001A	Band
241C	AAP72909001	BasketAssembly,Door	903A	3550JJ0005A	Cover,Lower
241D	5004JJ1016A	Basket,Door	903B	4930JJ2021A	Holder,Cover(Lower)
241E	5004JJ1039A	Basket,Door	903D	6500JK1003A	Sensor,Temperature
243A	4620JJ3006A	Stopper,Door	B01	J351-00004L	Screw,Customized
262D	4004JA3002A	Clip	B03	J351-00004P	Screw,Customized
262E	4350JA3005B	Ring	S01	4J00415D	Screw,Customized
281A	3550JJ2013A	Cover,Hinge	S14	3J05696W	Screw,Customized
281B	4775JJ2003B	HingeAssembly,Upper	S16	1TCL0302818	Screw,Tapping
281E	5006JJ3003A	Cap,Hinge	S20	4001JA3001A	ScrewAssembly
282B	4775JJ2002A	HingeAssembly,Center	S22	J471-00001J	Screw,Customized
282C	1PZZJJ3002F	Pin,Common	S24	1SZZJA3011B	Screw,Customized
282E	5006JJ2001A	Cap,Hinge	S28	1SZZJJ3005E	Screw,Customized
282H	5006JJ3004A	Cap,Hinge	S29	4J00415D	Screw,Customized
283B	4775JJ2013B	HingeAssembly,Lower	S31	4000W4A003A	Screw,Customized
283F	4620JJ2007A	Stopper,Door			

Loc No.	Part No.	Description	Loc No.	Part No.	Description
103A	3650JJ2003H	Handle,Rear	284A	3550JJ2023A	Cover,GrilleFan
103B	3650JJ2003D	Handle,Rear	284C	5006JA3080A	Cap,Screw
103C	3551JJ1015G	CoverAssembly,Lower	286A	4984JJ3003A	BUSH
103E	5218JJ3001A	Rail,Slide	301A	5421JJ0003A	EvaporatorAssembly
105A	5251JA3003B	TubeAssembly,Drain	304A	3551JJ2008A	CoverAssembly,Machinery(Rear)
105F	5070JJ3002A	Skirt,Lower	305B	4580JJ3001A	Roller
106A	4779JA2003A	LegAssembly,Adjust	305C	4J04238A	Pin,Common
110D	4940JL2001C	Knob,Shutter	307A	TCA33414101	Compressor,SetAssembly
113A	4930JJ2008A	Holder,Bracket	308A	6748C-0004D	ThermistorAssembly,PTC
113B	4930JJ2005A	Holder,Gasket	309A	6750C-0005P	OverloadProtect
113C	4970JA3016A	Spring	310A	3550JA2059A	Cover,PTC
113D	4986JJ2003B	Gasket,Betta	312A	5040JA3031A	Damper,Compressor
120A	4995JJ1004C	CaseAssembly,ControlRefrigerator	314A	4620JA3009A	Stopper,Compressor
120B	4994JJ0003A	Case,ControlRefrigerator	315A	3103JJ1001K	BaseAssembly,Compressor
125D	4930JJ3007A	Holder,Bracket	317A	5851JJ2002F	DrierAssembly
128A	4975JJ2002A	GuideAssembly,Rail	318A	4930JA3034A	Holder,Drier
128B	4975JJ2002B	GuideAssembly,Rail	319A	3390JJ0004A	Tray,Drip
131A	5074JJ1007A	Bucket,Ice	319C	MEA41997401	Guide,Fan
140B	5027JJ1037A	ShelfAssembly,Refrigerator	319E	4810JJ2005A	Bracket,Motor
140D	MHL38615403	Shelf,Net	323B	5403JJ1008A	CondenserAssembly,Wire
140E	MHL38615404	Shelf,Net	327A	5006JA3034A	Cap,DrainTube
141D	5027JJ2011A	ShelfAssembly,Refrigerator	328A	4J03020A	Damper,Pipe
141E	5027JJ2005T	ShelfAssembly,Net	329A	5901JJ1003A	FanAssembly
142D	5026JJ2001L	Shelf,Net	329C	ADP36665702	FanAssembly
142E	5026JJ2001M	Shelf,Net	330B	MHN58555001	Shroud,Freezer
143E	5027JJ1013G	ShelfAssembly,Refrigerator	332A	3531JJ1006F	GrilleAssembly,Fan
143F	5027JJ1013P	ShelfAssembly,Refrigerator	401A	4781JK2001A	ControllerAssembly
145A	4930JJ2003A	Holder,Shelf	404A	4681JK1004A	ACMotor
145B	4930JJ2004A	Holder,Shelf	404Z	6877JB1223F	HarnessAssembly
149A	3806JJ3001A	DECOR,SHELF	405B	5040JJ2001A	Damper,MotorSupport
149C	5027JJ2010A	ShelfAssembly,Refrigerator	405C	5040JA2009B	Damper,MotorSupport
149E	5027JJ2009C	ShelfAssembly,Refrigerator	405F	5040JA2004B	Damper,MotorSupport
149F	5026JJ1196A	SHELF,FREEZER	406B	6600JB2004C	Switch,PushButton
151A	3391JJ1020A	TrayAssembly,Vegetable	409B	6912JK2002E	Lamp,Incandescent
151C	4940JJ2003C	KNOB,SHUTTER	410G	0CZZJB2012J	Capacitor,ElectricApplianceFilm,Box
154A	MCK61620301	Cover,TV	411A	6411JK1006A	PowerCordAssembly
155B	4980JJ1010A	Supporter,CoverTV	412D	6877JK2011D	HarnessAssembly
158A	3550JJ2027A	Cover,Lamp	418A	5300JK1003D	Heater,Sheath
167B	4890JL1002U	SHELF,GLASS	420A	4681JB1029J	Motor,DC
170A	3391JJ2004G	TrayAssembly,Meat	501A	EBR41531306	PCBAsembly,Main
200A	ADC71006705	DoorAssembly,Freezer	501F	3551JJ1020A	CoverAssembly,PCB
201A	ADD71006805	DoorFoamAssembly,Freezer	503C	6871JB2036D	PCBAsembly,Display
203A	ADX52752615	GasketAssembly,Door	503D	3110JJ2003A	Case,Display
205D	5004JJ1015A	Basket,Door	600A	5989JA0002P	IceMakerAssembly,Kit
210A	4620JJ2009A	Stopper,Door	600C	MEA32865501	Guide,Tube
210B	4974JA3031B	Guide,Stopper	602A	4931JA3005B	HolderAssembly,Bracket
212G	4140JD1031A	NamePlate	616E	5211JA2003C	TubeAssembly,Inject
230A	ADC71006905	DoorAssembly,Refrigerator	618A	5210JJ3006B	Tube,Inject
231A	ADD71007005	DoorFoamAssembly,Refrigerator	619A	5220JA2009D	Valve,Water
233A	ADX52752614	GasketAssembly,Door	619B	3550JJ2024A	Cover,Valve
234B	3806JL1004J	Decor,Duct	619C	AJU55759301	ValveAssembly,Water
241A	3550JJ1030A	Cover,Tray	622B	MJH61841901	Supporter,TubeGuide
241B	5004JJ1037A	Basket,Door	623C	4770JA3001A	Band
241C	AAP72909001	BasketAssembly,Door	903A	3550JJ0005D	Cover,Lower
241D	5004JJ1016A	Basket,Door	903B	4930JJ2021A	Holder,Cover(Lower)
241E	5004JJ1039A	Basket,Door	903D	6500JK1003A	Sensor,Temperature
243A	4620JJ3006D	Stopper,Door	B01	J351-00004L	Screw,Customized
262D	4004JA3002A	Clip	B03	J351-00004P	Screw,Customized
262E	4350JA3005B	Ring	S01	4J00415D	Screw,Customized
281A	3550JJ2013D	Cover,Hinge	S14	3J05696W	Screw,Customized
281B	4775JJ2003B	HingeAssembly,Upper	S16	1TCL0302818	Screw,Tapping
281E	5006JJ3003F	Cap,Hinge	S20	4001JA3001A	ScrewAssembly
282B	4775JJ2002A	HingeAssembly,Center	S22	J471-00001J	Screw,Customized
282C	1PZZJJ3002F	Pin,Common	S24	1SZZJA3011B	Screw,Customized
282E	5006JJ2001G	Cap,Hinge	S28	1SZZJJ3005E	Screw,Customized
282H	5006JJ3004F	Cap,Hinge	S29	4J00415D	Screw,Customized
283B	4775JJ2013B	HingeAssembly,Lower	S31	4000W4A003A	Screw,Customized
283F	4620JJ2007A	Stopper,Door			

Loc No.	Part No.	Description	Loc No.	Part No.	Description
103A	3650JJ2003M	Handle,Rear	284A	3550JJ2023A	Cover,GrilleFan
103B	3650JJ2003L	Handle,Rear	284C	5006JA3080A	Cap,Screw
103C	3551JJ1015E	CoverAssembly,Lower	286A	4984JJ3003A	BUSH
103E	5218JJ3001A	Rail,Slide	301A	5421JJ0003A	EvaporatorAssembly
105A	5251JA3003B	TubeAssembly,Drain	304A	3551JJ2008A	CoverAssembly,Machinery(Rear)
105F	5070JJ3002A	Skirt,Lower	305B	4580JJ3001A	Roller
106A	4779JA2003A	LegAssembly,Adjust	305C	4J04238A	Pin,Common
110D	4940JL2001C	Knob,Shutter	307A	TCA33414101	Compressor,SetAssembly
113A	4930JJ2008A	Holder,Bracket	308A	6748C-0004D	ThermistorAssembly,PTC
113B	4930JJ2005A	Holder,Gasket	309A	6750C-0005P	OverloadProtect
113C	4970JA3016A	Spring	310A	3550JA2059A	Cover,PTC
113D	4986JJ2003B	Gasket,Betta	312A	5040JA3031A	Damper,Compressor
120A	4995JJ1004C	CaseAssembly,ControlRefrigerator	314A	4620JA3009A	Stopper,Compressor
120B	4994JJ0003A	Case,ControlRefrigerator	315A	3103JJ1001K	BaseAssembly,Compressor
125D	4930JJ3007A	Holder,Bracket	317A	5851JJ2002F	DrierAssembly
128A	4975JJ2002A	GuideAssembly,Rail	318A	4930JA3034A	Holder,Drier
128B	4975JJ2002B	GuideAssembly,Rail	319A	3390JJ0004A	Tray,Drip
131A	5074JJ1007A	Bucket,Ice	319C	MEA41997401	Guide,Fan
140B	5027JJ1037A	ShelfAssembly,Refrigerator	319E	4810JJ2005A	Bracket,Motor
140D	MHL38615403	Shelf,Net	323B	5403JJ1008A	CondenserAssembly,Wire
140E	MHL38615404	Shelf,Net	327A	5006JA3034A	Cap,DrainTube
141D	5027JJ2011A	ShelfAssembly,Refrigerator	328A	4J03020A	Damper,Pipe
141E	5027JJ2005T	ShelfAssembly,Net	329A	5901JJ1003A	FanAssembly
142D	5026JJ2001L	Shelf,Net	329C	ADP36665702	FanAssembly
142E	5026JJ2001M	Shelf,Net	330B	MHN58555001	Shroud,Freezer
143E	5027JJ1013G	ShelfAssembly,Refrigerator	332A	3531JJ1006F	GrilleAssembly,Fan
143F	5027JJ1013P	ShelfAssembly,Refrigerator	401A	4781JK2001A	ControllerAssembly
145A	4930JJ2003A	Holder,Shelf	404A	4681JK1004A	ACMotor
145B	4930JJ2004A	Holder,Shelf	404Z	6877JB1223F	HarnessAssembly
149A	3806JJ3001A	DECOR,SHELF	405B	5040JJ2001A	Damper,MotorSupport
149C	5027JJ2010A	ShelfAssembly,Refrigerator	405C	5040JA2009B	Damper,MotorSupport
149E	5027JJ2009C	ShelfAssembly,Refrigerator	405F	5040JA2004B	Damper,MotorSupport
149F	5026JJ1196A	SHELF,FREEZER	406B	6600JB2004B	Switch,PushButton
151A	3391JJ1020A	TrayAssembly,Vegetable	409B	6912JK2002E	Lamp,Incandescent
151C	4940JJ2003C	KNOB,SHUTTER	410G	0CZZJB2012J	Capacitor,ElectricApplianceFilm,Box
154A	MCK61620301	Cover,TV	411A	6411JK1006A	PowerCordAssembly
155B	4980JJ1010A	Supporter,CoverTV	412D	6877JK2011D	HarnessAssembly
158A	3550JJ2027A	Cover,Lamp	418A	5300JK1003D	Heater,Sheath
167B	4890JL1002U	SHELF,GLASS	420A	4681JB1029J	Motor,DC
170A	3391JJ2004G	TrayAssembly,Meat	501A	EBR41531306	PCBAAssembly,Main
200A	ADC71006702	DoorAssembly,Freezer	501F	3551JJ1020A	CoverAssembly,PCB
201A	5433JJ0086B	DoorFoamAssembly,Freezer	503C	6871JB2036D	PCBAAssembly,Display
203A	ADX52752613	GasketAssembly,Door	503D	3110JJ2003A	Case,Display
205D	5004JJ1015A	Basket,Door	600A	5989JA0002P	IceMakerAssembly,Kit
210A	4620JJ2009B	Stopper,Door	600C	MEA32865501	Guide,Tube
210B	4974JA3031B	Guide,Stopper	602A	4931JA3005B	HolderAssembly,Bracket
212G	4140JD1031A	NamePlate	616E	5211JA2003C	TubeAssembly,Inject
230A	ADC71006902	DoorAssembly,Refrigerator	618A	5210JJ3006B	Tube,Inject
231A	ADD71007002	DoorFoamAssembly,Refrigerator	619A	5220JA2009D	Valve,Water
233A	ADX52752612	GasketAssembly,Door	619B	3550JJ2024A	Cover,Valve
234B	3806JL1004J	Decor,Duct	619C	AJU55759301	ValveAssembly,Water
241A	3550JJ1030A	Cover,Tray	622B	MJH61841901	Supporter,TubeGuide
241B	5004JJ1037A	Basket,Door	623C	4770JA3001A	Band
241C	AAP72909001	BasketAssembly,Door	903A	3550JJ0005C	Cover,Lower
241D	5004JJ1016A	Basket,Door	903B	4930JJ2021A	Holder,Cover(Lower)
241E	5004JJ1039A	Basket,Door	903D	6500JK1003A	Sensor,Temperature
243A	4620JJ3006C	Stopper,Door	B01	J351-00004L	Screw,Customized
262D	4004JA3002A	Clip	B03	J351-00004P	Screw,Customized
262E	4350JA3005B	Ring	S01	4J00415D	Screw,Customized
281A	3550JJ2013C	Cover,Hinge	S14	3J05696W	Screw,Customized
281B	4775JJ2003B	HingeAssembly,Upper	S16	1TCL0302818	Screw,Tapping
281E	5006JJ3003E	Cap,Hinge	S20	4001JA3001A	ScrewAssembly
282B	4775JJ2002A	HingeAssembly,Center	S22	J471-00001J	Screw,Customized
282C	1PZZJJ3002F	Pin,Common	S24	1SZZJA3011B	Screw,Customized
282E	5006JJ2001F	Cap,Hinge	S28	1SZZJJ3005E	Screw,Customized
282H	5006JJ3004E	Cap,Hinge	S29	4J00415D	Screw,Customized
283B	4775JJ2013B	HingeAssembly,Lower	S31	4000W4A003A	Screw,Customized
283F	4620JJ2007B	Stopper,Door			

Loc No.	Part No.	Description	Loc No.	Part No.	Description
103A	3650JJ2003E	Handle,Rear	284A	3550JJ2023A	Cover,GrilleFan
103B	3650JJ2003A	Handle,Rear	284C	5006JA3080A	Cap,Screw
103C	3551JJ1015B	CoverAssembly,Lower	286A	4984JJ3003A	BUSH
103E	5218JJ3001A	Rail,Slide	301A	5421JJ0002A	EvaporatorAssembly
105A	5251JA3003B	TubeAssembly,Drain	304A	3551JJ2008B	CoverAssembly,Machinery(Rear)
105F	5070JJ3002A	Skirt,Lower	305B	4580JJ3001A	Roller
106A	4779JA2003A	LegAssembly,Adjust	305C	4J04238A	Pin,Common
110D	4940JL2001C	Knob,Shutter	307A	TCA33414101	Compressor,SetAssembly
113A	4930JJ2008A	Holder,Bracket	308A	6748C-0004D	ThermistorAssembly,PTC
113B	4930JJ2005A	Holder,Gasket	309A	6750C-0005P	OverloadProtect
113C	4970JA3016A	Spring	310A	3550JA2059A	Cover,PTC
113D	4986JJ2003B	Gasket,Betta	312A	5040JA3031A	Damper,Compressor
120A	4995JJ1004C	CaseAssembly,ControlRefrigerator	314A	4620JA3009A	Stopper,Compressor
120B	4994JJ0003A	Case,ControlRefrigerator	315A	3103JJ1001J	BaseAssembly,Compressor
125D	4930JJ3007A	Holder,Bracket	317A	5851JJ2002F	DrierAssembly
128A	4975JJ2002A	GuideAssembly,Rail	318A	4930JA3034A	Holder,Drier
128B	4975JJ2002B	GuideAssembly,Rail	319A	3390JJ0004A	Tray,Drip
131A	5074JJ1007A	Bucket,Ice	319C	MEA41997401	Guide,Fan
140B	5027JJ1039A	ShelfAssembly,Refrigerator	319E	4810JJ2005A	Bracket,Motor
140D	MHL38615403	Shelf,Net	323B	5403JJ1008A	CondenserAssembly,Wire
140E	MHL38615404	Shelf,Net	327A	5006JA3034A	Cap,DrainTube
141D	5027JJ2011B	ShelfAssembly,Refrigerator	328A	4J03020A	Damper,Pipe
141E	5027JJ2005V	ShelfAssembly,Net	329A	5901JJ1003A	FanAssembly
142D	5026JJ2001L	Shelf,Net	329C	ADP36665702	FanAssembly
142E	5026JJ2001M	Shelf,Net	330B	MHN58555001	Shroud,Freezer
143E	5027JJ1013H	ShelfAssembly,Refrigerator	332A	3531JJ1005F	GrilleAssembly,Fan
143F	5027JJ1013S	ShelfAssembly,Refrigerator	401A	4781JK2001A	ControllerAssembly
145A	4930JJ2003A	Holder,Shelf	404A	4681JK1004A	ACMotor
145B	4930JJ2004A	Holder,Shelf	404Z	6877JB1223F	HarnessAssembly
149A	3806JJ3001B	Decor,Shelf	405B	5040JJ2001A	Damper,MotorSupport
149C	5027JJ2010B	ShelfAssembly,Refrigerator	405C	5040JA2009B	Damper,MotorSupport
149E	5027JJ2009D	ShelfAssembly,Refrigerator	405F	5040JA2004B	Damper,MotorSupport
149F	MHL58275201	Shelf,Freezer	406B	6600JB2004A	Switch,PushButton
151A	3391JJ1020B	TrayAssembly,Vegetable	409B	6912JK2002E	Lamp,Incandescent
151C	4940JJ2003C	KNOB,SHUTTER	410G	0CZZJB2012J	Capacitor,ElectricApplianceFilm,Box
154A	MCK61620302	Cover,TV	411A	6411JK1006A	PowerCordAssembly
155B	4980JJ1010A	Supporter,CoverTV	412D	6877JK2011D	HarnessAssembly
158A	3550JJ2027A	Cover,Lamp	418A	5300JK1003J	Heater,Sheath
167B	4890JL1002V	Shelf,Glass	420A	4681JB1029J	Motor,DC
170A	3391JJ2004H	TrayAssembly,Meat	501A	EBR41531306	PCBAsembly,Main
200A	ADC71006706	DoorAssembly,Freezer	501F	3551JJ1020A	CoverAssembly,PCB
201A	ADD71006806	DoorFoamAssembly,Freezer	503C	6871JB2036D	PCBAsembly,Display
203A	ADX52752617	GasketAssembly,Door	503D	3110JJ2003A	Case,Display
205D	5004JJ1024A	Basket,Door	600A	5989JA0002P	IceMakerAssembly,Kit
210A	4620JJ2009A	Stopper,Door	600C	MEA32865501	Guide,Tube
210B	4974JA3031B	Guide,Stopper	602A	4931JA3005B	HolderAssembly,Bracket
212G	4140JD1031A	NamePlate	616E	5211JA2003C	TubeAssembly,Inject
230A	ADC71006911	DoorAssembly,Refrigerator	618A	5210JJ3006B	Tube,Inject
231A	ADD71007011	DoorFoamAssembly,Refrigerator	619A	5220JA2009D	Valve,Water
233A	ADX52752616	GasketAssembly,Door	619B	3550JJ2024A	Cover,Valve
234B	3806JL1004J	Decor,Duct	619C	AJU55759301	ValveAssembly,Water
241A	3550JL2003M	Cover,Tray	622B	MJH61841901	Supporter,TubeGuide
241B	5004JJ1036A	Basket,Door	623C	4770JA3001A	Band
241C	AAP72909002	BasketAssembly,Door	903A	3550JJ0006A	Cover,Lower
241D	5004JJ1025A	Basket,Door	903B	4930JJ2021A	Holder,Cover(Lower)
241E	5004JJ1038A	Basket,Door	903D	6500JK1003A	Sensor,Temperature
243A	4620JJ3006A	Stopper,Door	B01	J351-00004L	Screw,Customized
262D	4004JA3002A	Clip	B03	J351-00004P	Screw,Customized
262E	4350JA3005B	Ring	S01	4J00415D	Screw,Customized
281A	3550JJ2013A	Cover,Hinge	S14	3J05696W	Screw,Customized
281B	4775JJ2003B	HingeAssembly,Upper	S16	1TCL0302818	Screw,Tapping
281E	5006JJ3003A	Cap,Hinge	S20	4001JA3001A	ScrewAssembly
282B	4775JJ2002A	HingeAssembly,Center	S22	J471-00001J	Screw,Customized
282C	1PZZJJ3002F	Pin,Common	S24	1SZZJA3011B	Screw,Customized
282E	5006JJ2001A	Cap,Hinge	S28	1SZZJJ3005E	Screw,Customized
282H	5006JJ3004A	Cap,Hinge	S29	4J00415D	Screw,Customized
283B	4775JJ2013B	HingeAssembly,Lower	S31	4000W4A003A	Screw,Customized
283F	4620JJ2007A	Stopper,Door			

Loc No.	Part No.	Description	Loc No.	Part No.	Description
103A	3650JJ2003H	Handle,Rear	284A	3550JJ2023A	Cover,GrilleFan
103B	3650JJ2003D	Handle,Rear	284C	5006JA3080A	Cap,Screw
103C	3551JJ1015H	CoverAssembly,Lower	286A	4984JJ3003A	BUSH
103E	5218JJ3001A	Rail,Slide	301A	5421JJ0002A	EvaporatorAssembly
105A	5251JA3003B	TubeAssembly,Drain	304A	3551JJ2008B	CoverAssembly,Machinery(Rear)
105F	5070JJ3002A	Skirt,Lower	305B	4580JJ3001A	Roller
106A	4779JA2003A	LegAssembly,Adjust	305C	4J04238A	Pin,Common
110D	4940JL2001C	Knob,Shutter	307A	TCA33414101	Compressor,SetAssembly
113A	4930JJ2008A	Holder,Bracket	308A	6748C-0004D	ThermistorAssembly,PTC
113B	4930JJ2005A	Holder,Gasket	309A	6750C-0005P	OverloadProtect
113C	4970JA3016A	Spring	310A	3550JA2059A	Cover,PTC
113D	4986JJ2003B	Gasket,Betta	312A	5040JA3031A	Damper,Compressor
120A	4995JJ1004C	CaseAssembly,ControlRefrigerator	314A	4620JA3009A	Stopper,Compressor
120B	4994JJ0003A	Case,ControlRefrigerator	315A	3103JJ1001J	BaseAssembly,Compressor
125D	4930JJ3007A	Holder,Bracket	317A	5851JJ2002F	DrierAssembly
128A	4975JJ2002A	GuideAssembly,Rail	318A	4930JA3034A	Holder,Drier
128B	4975JJ2002B	GuideAssembly,Rail	319A	3390JJ0004A	Tray,Drip
131A	5074JJ1007A	Bucket,Ice	319C	MEA41997401	Guide,Fan
140B	5027JJ1039A	ShelfAssembly,Refrigerator	319E	4810JJ2005A	Bracket,Motor
140D	MHL38615403	Shelf,Net	323B	5403JJ1008A	CondenserAssembly,Wire
140E	MHL38615404	Shelf,Net	327A	5006JA3034A	Cap,DrainTube
141D	5027JJ2011B	ShelfAssembly,Refrigerator	328A	4J03020A	Damper,Pipe
141E	5027JJ2005V	ShelfAssembly,Net	329A	5901JJ1003A	FanAssembly
142D	5026JJ2001L	Shelf,Net	329C	ADP36665702	FanAssembly
142E	5026JJ2001M	Shelf,Net	330B	MHN58555001	Shroud,Freezer
143E	5027JJ1013H	ShelfAssembly,Refrigerator	332A	3531JJ1005F	GrilleAssembly,Fan
143F	5027JJ1013S	ShelfAssembly,Refrigerator	401A	4781JK2001A	ControllerAssembly
145A	4930JJ2003A	Holder,Shelf	404A	4681JK1004A	ACMotor
145B	4930JJ2004A	Holder,Shelf	404Z	6877JB1223F	HarnessAssembly
149A	3806JJ3001B	Decor,Shelf	405B	5040JJ2001A	Damper,MotorSupport
149C	5027JJ2010B	ShelfAssembly,Refrigerator	405C	5040JA2009B	Damper,MotorSupport
149E	5027JJ2009D	ShelfAssembly,Refrigerator	405F	5040JA2004B	Damper,MotorSupport
149F	MHL58275201	Shelf,Freezer	406B	6600JB2004C	Switch,PushButton
151A	3391JJ1020B	TrayAssembly,Vegetable	409B	6912JK2002E	Lamp,Incandescent
151C	4940JJ2003C	KNOB,SHUTTER	410G	0CZZJB2012J	Capacitor,ElectricApplianceFilm,Box
154A	MCK61620302	Cover,TV	411A	6411JK1006A	PowerCordAssembly
155B	4980JJ1010A	Supporter,CoverTV	412D	6877JK2011D	HarnessAssembly
158A	3550JJ2027A	Cover,Lamp	418A	5300JK1003J	Heater,Sheath
167B	4890JL1002V	Shelf,Glass	420A	4681JB1029J	Motor,DC
170A	3391JJ2004H	TrayAssembly,Meat	501A	EBR41531306	PCBAssembly,Main
200A	ADC71006710	DoorAssembly,Freezer	501F	3551JJ1020A	CoverAssembly,PCB
201A	ADD71006809	DoorFoamAssembly,Freezer	503C	6871JB2036D	PCBAssembly,Display
203A	ADX52752621	GasketAssembly,Door	503D	3110JJ2003A	Case,Display
205D	5004JJ1024A	Basket,Door	600A	5989JA0002P	IceMakerAssembly,Kit
210A	4620JJ2009A	Stopper,Door	600C	MEA32865501	Guide,Tube
210B	4974JA3031B	Guide,Stopper	602A	4931JA3005B	HolderAssembly,Bracket
212G	4140JD1031A	NamePlate	616E	5211JA2003C	TubeAssembly,Inject
230A	ADC71006915	DoorAssembly,Refrigerator	618A	5210JJ3006B	Tube,Inject
231A	ADD71007015	DoorFoamAssembly,Refrigerator	619A	5220JA2009D	Valve,Water
233A	ADX52752620	GasketAssembly,Door	619B	3550JJ2024A	Cover,Valve
234B	3806JL1004J	Decor,Duct	619C	AJU55759301	ValveAssembly,Water
241A	3550JL2003M	Cover,Tray	622B	MJH61841901	Supporter,TubeGuide
241B	5004JJ1036A	Basket,Door	623C	4770JA3001A	Band
241C	AAP72909002	BasketAssembly,Door	903A	3550JJ0006D	Cover,Lower
241D	5004JJ1025A	Basket,Door	903B	4930JJ2021A	Holder,Cover(Lower)
241E	5004JJ1038A	Basket,Door	903D	6500JK1003A	Sensor,Temperature
243A	4620JJ3006D	Stopper,Door	B01	J351-00004L	Screw,Customized
262D	4004JA3002A	Clip	B03	J351-00004P	Screw,Customized
262E	4350JA3005B	Ring	S01	4J00415D	Screw,Customized
281A	3550JJ2013D	Cover,Hinge	S14	3J05696W	Screw,Customized
281B	4775JJ2003B	HingeAssembly,Upper	S16	1TCL0302818	Screw,Tapping
281E	5006JJ3003F	Cap,Hinge	S20	4001JA3001A	ScrewAssembly
282B	4775JJ2002A	HingeAssembly,Center	S22	J471-00001J	Screw,Customized
282C	1PZZJJ3002F	Pin,Common	S24	1SZZJA3011B	Screw,Customized
282E	5006JJ2001G	Cap,Hinge	S28	1SZZJJ3005E	Screw,Customized
282H	5006JJ3004F	Cap,Hinge	S29	4J00415D	Screw,Customized
283B	4775JJ2013B	HingeAssembly,Lower	S31	4000W4A003A	Screw,Customized
283F	4620JJ2007A	Stopper,Door			

Loc No.	Part No.	Description	Loc No.	Part No.	Description
103A	3650JJ2003M	Handle,Rear	284A	3550JJ2023A	Cover,Grille Fan
103B	3650JJ2003L	Handle,Rear	284C	5006JA3080A	Cap,Screw
103C	3551JJ1015F	Cover Assembly,Lower	286A	4984JJ3003A	BUSH
103E	5218JJ3001A	Rail,Slide	301A	5421JJ0002A	Evaporator Assembly
105A	5251JA3003B	Tube Assembly,Drain	304A	3551JJ2008B	Cover Assembly,Machinery(Rear)
105F	5070JJ3002A	Skirt,Lower	305B	4580JJ3001A	Roller
106A	4779JA2003A	Leg Assembly,Adjust	305C	4J04238A	Pin,Common
110D	4940JL2001C	Knob,Shutter	307A	TCA33414101	Compressor,Set Assembly
113A	4930JJ2008A	Holder,Bracket	308A	6748C-0004D	Thermistor Assembly,PTC
113B	4930JJ2005A	Holder,Gasket	309A	6750C-0005P	Overload Protect
113C	4970JA3016A	Spring	310A	3550JA2059A	Cover,PTC
113D	4986JJ2003B	Gasket,Betta	312A	5040JA3031A	Damper,Compressor
120A	4995JJ1004C	Case Assembly,Control Refrigerator	314A	4620JA3009A	Stopper,Compressor
120B	4994JJ0003A	Case,Control Refrigerator	315A	3103JJ1001J	Base Assembly,Compressor
125D	4930JJ3007A	Holder,Bracket	317A	5851JJ2002F	Drier Assembly
128A	4975JJ2002A	Guide Assembly,Rail	318A	4930JA3034A	Holder,Drier
128B	4975JJ2002B	Guide Assembly,Rail	319A	3390JJ0004A	Tray,Drip
131A	5074JJ1007A	Bucket,Ice	319C	MEA41997401	Guide,Fan
140B	5027JJ1039A	Shelf Assembly,Refrigerator	319E	4810JJ2005A	Bracket,Motor
140D	MHL38615403	Shelf,Net	323B	5403JJ1008A	Condenser Assembly,Wire
140E	MHL38615404	Shelf,Net	327A	5006JA3034A	Cap,Drain Tube
141D	5027JJ2011B	Shelf Assembly,Refrigerator	328A	4J03020A	Damper,Pipe
141E	5027JJ2005V	Shelf Assembly,Net	329A	5901JJ1003A	Fan Assembly
142D	5026JJ2001L	Shelf,Net	329C	ADP36665702	Fan Assembly
142E	5026JJ2001M	Shelf,Net	330B	MHN58555001	Shroud,Freezer
143E	5027JJ1013H	Shelf Assembly,Refrigerator	332A	3531JJ1005F	Grille Assembly,Fan
143F	5027JJ1013S	Shelf Assembly,Refrigerator	401A	4781JK2001A	Controller Assembly
145A	4930JJ2003A	Holder,Shelf	404A	4681JK1004A	AC Motor
145B	4930JJ2004A	Holder,Shelf	404Z	6877JB1223F	Harness Assembly
149A	3806JJ3001B	Decor,Shelf	405B	5040JJ2001A	Damper,Motor Support
149C	5027JJ2010B	Shelf Assembly,Refrigerator	405C	5040JA2009B	Damper,Motor Support
149E	5027JJ2009D	Shelf Assembly,Refrigerator	405F	5040JA2004B	Damper,Motor Support
149F	MHL58275201	Shelf,Freezer	406B	6600JB2004B	Switch,Push Button
151A	3391JJ1020B	Tray Assembly,Vegetable	409B	6912JK2002E	Lamp,Incandescent
151C	4940JJ2003C	KNOB,SHUTTER	410G	0CZZJB2012J	Capacitor,Electric Appliance Film,Box
154A	MCK61620302	Cover,TV	411A	6411JK1006A	Power Cord Assembly
155B	4980JJ1010A	Supporter,Cover TV	412D	6877JK2011D	Harness Assembly
158A	3550JJ2027A	Cover,Lamp	418A	5300JK1003J	Heater,Sheath
167B	4890JL1002V	Shelf,Glass	420A	4681JB1029J	Motor,DC
170A	3391JJ2004H	Tray Assembly,Meat	501A	EBR41531306	PCB Assembly,Main
200A	ADC71006707	Door Assembly,Freezer	501F	3551JJ1020A	Cover Assembly,PCB
201A	ADD71006807	Door Foam Assembly,Freezer	503C	6871JB2036D	PCB Assembly,Display
203A	ADX52752619	Gasket Assembly,Door	503D	3110JJ2003A	Case,Display
205D	5004JJ1024A	Basket,Door	600A	5989JA0002P	Ice Maker Assembly,Kit
210A	4620JJ2009B	Stopper,Door	600C	MEA32865501	Guide,Tube
210B	4974JA3031B	Guide,Stopper	602A	4931JA3005B	Holder Assembly,Bracket
212G	4140JD1031A	Name Plate	616E	5211JA2003C	Tube Assembly,Inject
230A	ADC71006912	Door Assembly,Refrigerator	618A	5210JJ3006B	Tube,Inject
231A	ADD71007012	Door Foam Assembly,Refrigerator	619A	5220JA2009D	Valve,Water
233A	ADX52752618	Gasket Assembly,Door	619B	3550JJ2024A	Cover,Valve
234B	3806JL1004J	Decor,Duct	619C	AJU55759301	Valve Assembly,Water
241A	3550JL2003M	Cover,Tray	622B	MJH61841901	Supporter,Tube Guide
241B	5004JJ1036A	Basket,Door	623C	4770JA3001A	Band
241C	AAP72909002	Basket Assembly,Door	903A	3550JJ0006C	Cover,Lower
241D	5004JJ1025A	Basket,Door	903B	4930JJ2021A	Holder,Cover(Lower)
241E	5004JJ1038A	Basket,Door	903D	6500JK1003A	Sensor,Temperature
243A	4620JJ3006C	Stopper,Door	B01	J351-00004L	Screw,Customized
262D	4004JA3002A	Clip	B03	J351-00004P	Screw,Customized
262E	4350JA3005B	Ring	S01	4J00415D	Screw,Customized
281A	3550JJ2013C	Cover,Hinge	S14	3J05696W	Screw,Customized
281B	4775JJ2003B	Hinge Assembly,Upper	S16	1TCL0302818	Screw,Tapping
281E	5006JJ3003E	Cap,Hinge	S20	4001JA3001A	Screw Assembly
282B	4775JJ2002A	Hinge Assembly,Center	S22	J471-00001J	Screw,Customized
282C	1PZZJJ3002F	Pin,Common	S24	1SZZJA3011B	Screw,Customized
282E	5006JJ2001F	Cap,Hinge	S28	1SZZJJ3005E	Screw,Customized
282H	5006JJ3004E	Cap,Hinge	S29	4J00415D	Screw,Customized
283B	4775JJ2013B	Hinge Assembly,Lower	S31	4000W4A003A	Screw,Customized
283F	4620JJ2007B	Stopper,Door			



*'You Can Count on me . . .
to Work Safely.'*