

This Owner's Manual is provided and hosted by [Appliance Factory Parts](#).



THERMALZONE MS29A13115A Owner's Manual

[Shop genuine replacement parts for THERMALZONE
MS29A13115A](#)



[Find Your THERMALZONE Air Conditioner Parts - Select From 27 Models](#)

----- Manual continues below -----



OPERATION INSTRUCTIONS

MINI-SPLIT AIR CONDITIONER SYSTEM

FOR MODEL

MS29A13
MS212A13
MS212A13
MS218A13

Table of Contents

Safety.....	1
Unit Parts & Features.....	2
Remote Control Functions & Indicators.....	3
Operation Guide.....	4
Care & Maintenance.....	6
Troubleshooting.....	7

Troubleshooting (Cont.)

Problem	Possible Solutions
Remote Control Will Not Operate	Do the batteries need to be replaced? Are you within the operating range of the remote control? Are you pointing the remote control towards the receiver on the indoor unit? Is anything obstructing the path between the remote control and the receiver? Occasionally the remote control may not function properly when the unit is disturbed or when the functions are changed frequently. In this case, disconnect the power to the indoor unit and then reconnect to recover remote control operation.

Manual Operation (18,000 BTU units only)

- Turn on power
- Press the "MODE" button to select operating mode.
- If remote control is lost, unit may be operated manually by opening the front cover.
- "AUTO" will operate the unit in auto mode as explained in that section of this manual.
- "TEST" will operate the unit in the cool mode. Temperature may be adjusted with the remote if desired. If remote is not available, unit will operate at last set temperature. In this mode fan will operate at high speed.
- "RUN" will operate the unit normally.
- "STOP" will turn the unit off. Unit will not operate if the switch is in this position.

Safety & Operation

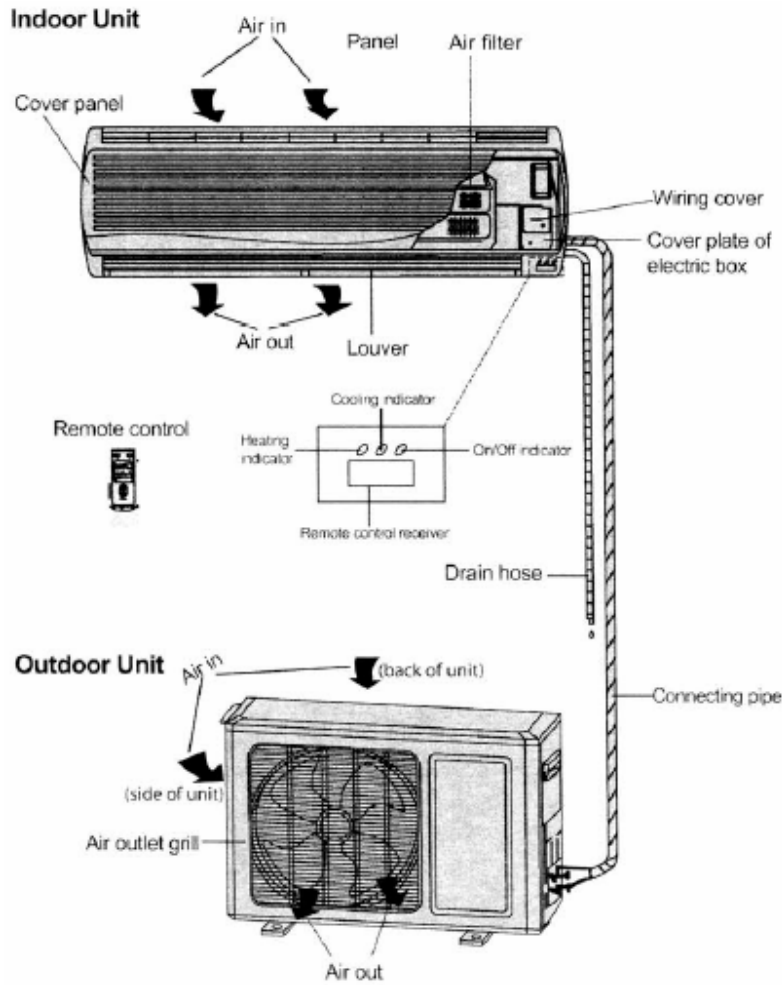
Safety

- Do not let any liquids come into contact with the unit or filter.
- Do not touch the metal parts of the unit.
- Avoid extended use in high humidity (e.g., bathrooms and windows are open).
- Do not operate the indoor unit with the door open.
- Do not place hands, fingers, or feet near the indoor or outdoor unit.
- Avoid extended direct exposure to sunlight.
- Disconnect power supply and cover the unit to prevent smell or smoke.
- Do not attempt to repair either the indoor or outdoor unit. Contact a qualified service technician.
- Do not charge or disassemble batteries. Recharge with the same type and dispose of properly.
- Disconnect power source when not in use for a long period of time.
- Do not place a space heater near the unit.
- Keep combustible sprays and liquids away from the indoor and outdoor units.
- Do not step on top of the outdoor unit.
- Do not block the air intake or outlet.
- Do not disconnect the power source during normal operation.
- Unit should be installed by a qualified technician and grounded properly.
- Operate unit from a stable power source. Use a surge protector depending on model, with the appropriate circuit breaker.

Operation:

- Do not use unit when outdoor temperature is above 110°F.
- Do not operate indoor unit without the remote control.
- Do not operate unit without the remote control.
- Do not store remote control in a hot or cold place.
- Do not drop or throw the remote control.
- Do not immerse the remote control in water.

Unit Parts & Features



Troubleshooting

Check the following list before... persists, contact your dealer or...

Problem	
System will not operate.	
An unusual odor is detected from the indoor unit	T t s C
A slight liquid noise is heard from the indoor unit.	T r
A slight creaking noise is heard from the indoor unit.	T t t

(Continued)

For Technical Ass...
United Re...

704-

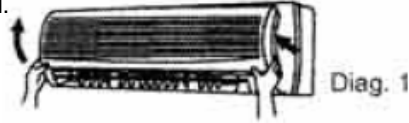
Care & Maintenance

CAUTION

▲ Always disconnect power before cleaning.

Cleaning Cover Panel (note: Always remove cover before cleaning.)

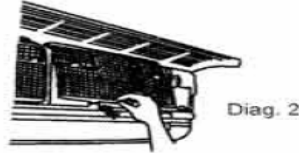
1. Open cover panel and pull in the direction of the arrows in Diag. 1 to remove the cover panel.



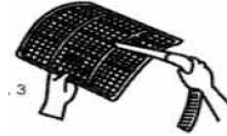
2. Wipe with a damp cloth using warm water or mild cleaner and allow to air dry. (Note: Never use hot water.)
3. Replace the cover panel by inserting the tab support on either end of the cover into the supporting slots on the unit, then closing and latching the cover.

Cleaning Air Filters (Note: Recommended once every three months under normal conditions.)

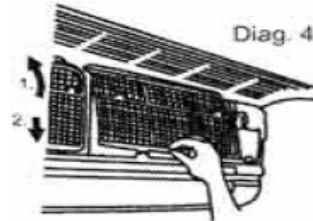
1. Open cover panel.
2. Using the tab at the bottom of the filter, lift the filter and remove in the direction of the arrows in Diag. 2.



3. Clean filters using a vacuum cleaner (see Diag. 3) or by washing then with warm water and allowing them to air dry. (Note: never use hot water.)



4. Replace filters by inserting as shown in Diag. 4. Then close and latch the cover panel.



6

Remote Control Functions &

Notes: Be sure that there is no remote control.

Some of the indicators
Be active on your remote
these instructions.

SWING button

Press this button to rotate the louvers automatically. And press again to stop.

MODE indicators

See mode button below for details.

SLEEP indicator

SLEEP button
Press this button to initiate the sleep mode which allows the system to gradually change the temperature setting over a specified period of time.

MODE button

Press this button to change the operation mode in order of:

AUTO	AUTO mode
❄️	COOL mode
☀️	DRY mode
🌀	FAN mode
🔥	HEAT mode

Operation Guide

Note: On first operation ensure that power to both indoor and outdoor unit is active.

Install Batteries:

The remote control takes two (2) AAA Batteries.

1. Press and slide the battery compartment cover on the bottom side of the remote to open it.
2. Insert two (2) AAA batteries, being careful to align the polarities correctly as labeled inside the battery compartment.
3. Close the battery compartment cover by sliding it back into place.

Using the Remote Control:

- The remote control must always be pointed at the receiver on the indoor unit (See diagram on page 3) to operate properly.
- The operating range of the remote control is approximately 22 ft. Ensure that you are within that range when attempting to operate the system with the remote control.
- Please refer to the diagram on page 3 for general operating instructions. Some of the specific functions will be addressed in more detail below and on the following pages.

Selecting MODE:

- Press the MODE button on the remote control repeatedly until the icon appears for the mode you want to select. (See diagram on page 3).
- In HEAT (On heat pump models only) and COOL mode the system will run to satisfy the temperature setting.
- In AUTO mode the system will determine the operation mode based on the room temperature in the vicinity of the indoor unit.
- In FAN mode the heating and cooling will not operate, but the fan will run constantly at the selected speed unless the temperature setting is satisfied.
- In DRY mode cooling will run periodically with low speed fan in order to dehumidify the room. Heating will not operate in this mode.

Operation Guide (Cont.)

SWING operation:

- Press the SWING button on the remote control to start the rotation of the louvers.
- Louvers can be kept in automatic mode throughout the room.
- If desired, press the SWING button to return the louvers to a specific position in order to control the room temperature.

Selecting FAN speed:

- Press the FAN button on the remote control to select auto, low, medium or high speed fan.
- In AUTO FAN, the system will select the fan speed based on the temperature setting.

Setting SLEEP mode:

1. Make sure that the unit is in the desired mode.
2. Press SLEEP button on the remote control.
3. Press TIMER OFF button on the remote control. The scheduled length of time will advance in hours. Time will advance in hours.
4. Press + or – buttons to adjust the SLEEP mode.
5. Once SLEEP mode is set, the system will maintain the temperature setting until both the final temperature and the unit are reached and the unit will shut off.

TIMER operation

- When system is in the desired mode, repeatedly press the TIMER button to set the time before the unit will advance in hours.
- When system is in the desired mode, repeatedly press the TIMER button to set the time before the unit will advance in hours.