

This Owner's Manual is provided and hosted by [Appliance Factory Parts](http://www.appliancefactoryparts.com).



THERMALZONE PAC9D Owner's Manual

[Shop genuine replacement parts for THERMALZONE
PAC9D](#)

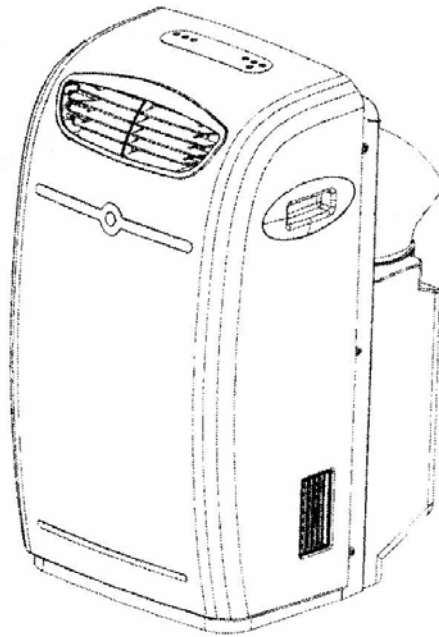


[Find Your THERMALZONE Air Conditioner Parts - Select From 27 Models](#)

----- Manual continues below -----



DUAL-PIPE PORTABLE AIR CONDITIONER



MODELS:
PAC9D

950-0013-revE Dec. 26, 2006

CONTENTS

FOREWARD	2
INTRODUCTION	3
PART IDENTIFICATION	4
CONTROL PANEL AND DISPLAY SCREEN	5
REMOTE CONTROL	6
CONTROL PANEL USE AND FUNCTIONS	7
TIME SET FUNCTION	8
WATER DRAINAGE METHODS	8
MAINTENANCE AND SERVICE	10
SAFETY	11
TROUBLESHOOTING	12
INSTALLATION	13
SPECIFICATIONS	18
WARRANTY	19

Forward:

Portable Air conditioners should be installed by a professional.

Please read carefully the sections corresponding to the specific model you choose, and store the manual in a safe place, so as to facilitate your reference at a later time.

Attention:

- (1) The appliance is not intended for use by young children, or without supervision.
- (2) Young children should be supervised to ensure that they do not play with the appliance.
- (3) The LCDI plug should be accessible after installation of the appliance.
- (4) The appliance shall be installed in accordance with national wiring regulations.
- (5) The appliance should not be installed in areas of excessively high humidity.
- (6) If the supply cord is damaged, it must be replaced by a qualified person in order to avoid a hazard.
- (7) Please wait three minutes before restarting after loss of power.



WARNING

This symbol refers to a hazard or unsafe practice which can result in severe personal injury or death.



CAUTION

This symbol refers to a hazard or unsafe practice which can result in personal injury or product or property damage.

MOBILE AIR CONDITIONER

This Mobile Air Conditioner is a small size appliance, which can adjust the temperature and humidity in a room. Its flexibility characteristics make it easily used in different applications or in different rooms. It also has multiple functions, including cooling, dehumidifying and fan ventilation. This unit was designed especially to be used in homes, offices, etc. It has a compact design compared to others with the same cooling capacity. This unit provides excellent functionality with low power consumption and a low noise level (less than 58db/a).

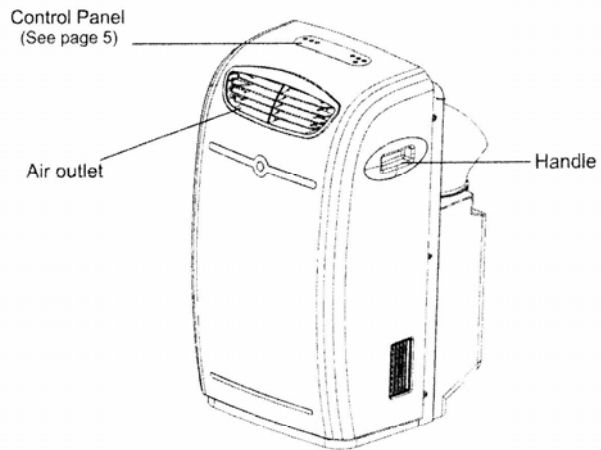
Other air conditioning units are recommended when the indoor temperature is either below 63°F (17°C) or above 95°F (35°C).

MOBILE AIR CONDITIONER

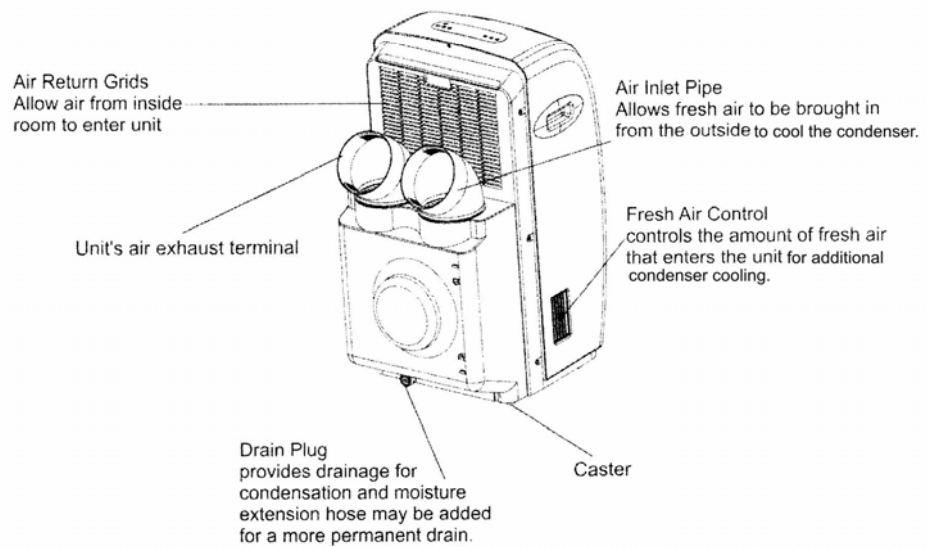
ATTENTION:

Before you use your PORTABLE AIR CONDITIONER, please read this instruction manual carefully and familiarize yourself with the functions and operation of the unit.

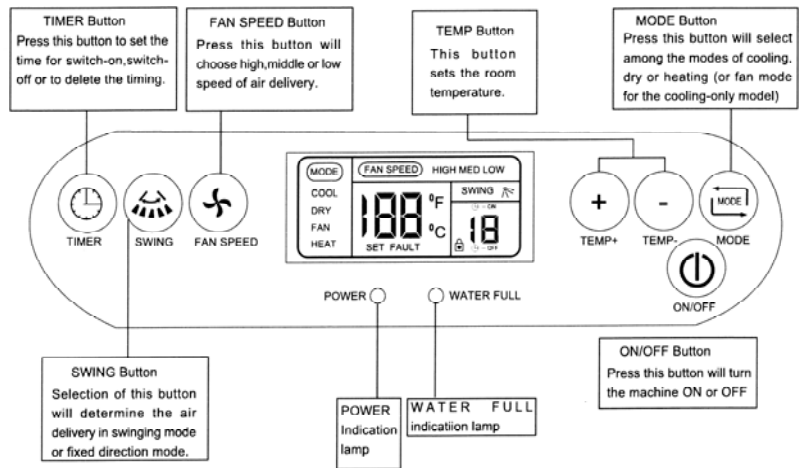
FRONT



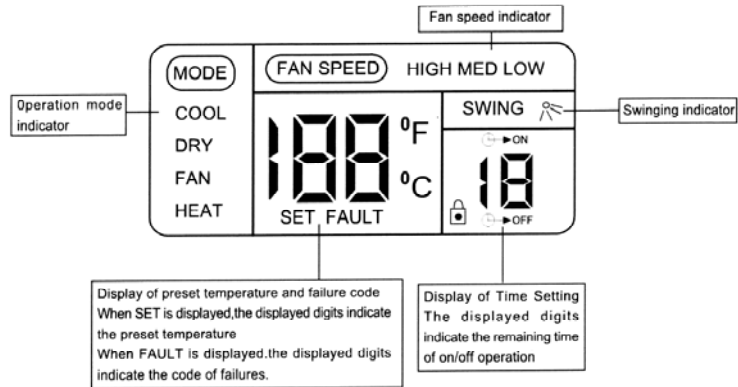
BACK



CONTROL PANEL

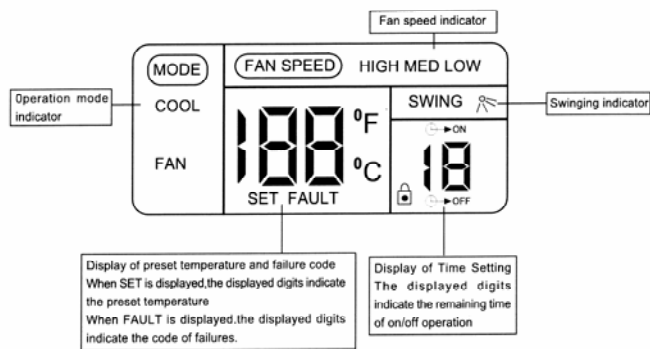


DISPLAY (HEAT PUMP MODEL ONLY)

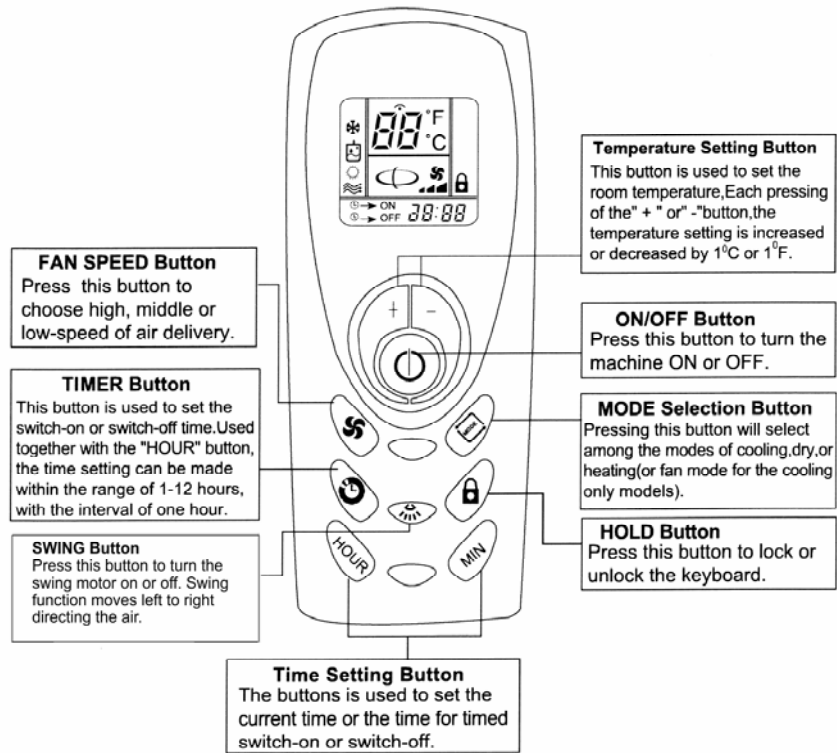


Note: Above figure shows all indications for the purpose of explanation but practically only the pertinent parts are indicated.

DISPLAY (COOL ONLY MODEL)

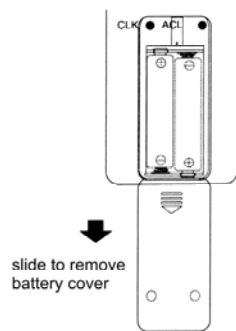


Note: Above figure shows all indications for the purpose of explanation but practically only the pertinent parts are indicated.



PRESENT TIME SETTING PROCEDURE

When cells are inserted, the present is automatically set to AM 12:00 EX:Set to AM 10:30



- 1 Press the CLK button.**
Unload the back cover push the clock button with the tip of a ball pen, etc. The time indicator is flickering and can set the present time.
- 2 Press the HOUR button. (Set to AM 10:)**
- 3 Press the MIN button. (Set to 30)**
- 4 Press the CLK button again,then reattach the back cover.**

NOTE The timer is set on the basis of the present time. So set the present time correctly.

IF REMOTE IS LOST:

Unplug unit for 10 seconds, then reconnect power. Unit will now function via the control panel.

POWER SOURCE

- The AC outlet must be a 3 prong grounded outlet using the provided LCDI power cord.
- Do not connect the portable air conditioner to a multiple socket outlet which is also being used for other electrical appliances.
- Insert the AC power plug securely into the AC outlet before using the unit, when it beeps after two seconds, press ON/OFF button, unit will begin to run.

LCDI PLUG

(add LCDI Plug Text here)

COOLING OPERATION

1. Press Power button to turn unit on.
2. Repeatedly press MODE button to choose the cooling mode. LCD display will show "COOL".
3. Repeatedly press TEMP + or TEMP - button to set a proper room temperature (63° to 88°F). (17° to 31° C) LCD display will show temperature for 5 seconds before returning to actual room temperature. Display on remote will always show set temperature.
4. Press FAN SPEED button to choose a proper fan speed, high, medium, or low speed.
4. Press SWING button to adjust the air flow direction (left or right), The LCD display will show the swing icon.
5. The operating ranges for cooling operation is 63°F-88°F (17°C-31°C)

Note:

In order to improve the cooling efficiency, be careful that:

- If your room is directly exposed to the sun, the shades or drapes should be drawn.
- Do not place near other heat sources.
- During the cooling operation, always place the air inlet and exhaust hose through an open window.
- If unit loses power it will restart automatically at previous settings.
- If unit is powered off, then powered on again a 3 minute timer will elapse before cool mode will restart.

DEHUMIDIFYING OPERATION

1. Keep the windows and the doors closed to aid in effectively dehumidifying the room.
2. Repeatedly press MODE button to choose the dehumidifying mode. LCD display will show "DRY". NOTE: the fan speed cannot be adjusted. If you choose you may operate unit in dehumidifying mode without the necessary installation of the air inlet hose, since the air being processed by the unit comes from within the room itself.
3. The operating range for dehumidifying is 68°F-88°F (20°C-31°C)

ALWAYS REMOVE POWER

(Heat Pump Models Only)

1. Repeatedly press the MODE button to select the heat mode, The LCD window shows "HEAT".
2. Press the TEMP + or TEMP - button to set a proper room temperature Range. 63°F-88°F (17° to 31° C) .
3. Press FAN SPEED button to choose high, middle, or low fan speed.
4. Press SWING button to adjust the air flow direction, The LCD display will show the swing icon.

TIMER SET FUNCTION

With unit off: pressing timer button on control panel or remote will set length of time before unit turns on (press the HOUR button repeatedly to select hours before start up to 12). The LCD window will show the clock on icon, and hours to start.

With unit on: pressing timer button on control panel or remote will set length of time before unit turns off (press the HOUR button repeatedly to select hours before stop up to 12). The LCD window will show the clock on icon, and hours to stop.

Note:

If timer is activated unit will not start until set time has elapsed.

If you have the power on/off after 12 hours elapsed time, pressing TIMER key again will cancel the timing.

To lock remote unit and prevent settings being changed you may press the TEMP+ and TEMP- buttons together for more than two seconds. Keypad will lock, and the LCD display will show the lock icon. Press the two buttons again to unlock the keys, and the lock icon will disappear.

RECYCLE PUMP FUNCTION AND WATER DRAINAGE

(Heat Pump model only)

When unit is operating in the DRY mode:

- If the water level in the tank is normal, the recycle pump will operate recirculating the water across the condenser coil, but the water pump does not.
- If the level in the water tank is high, the water pump will operate for 10 minutes.
- If the water level drops, after 10 minutes, the machine will continue to operate in normal working mode.
- If the water level is high after 10 minutes, the water pump will stop working and the machine will turn off, and the WATER FULL lamp on the control panel will illuminate.

Condensation – Water Removal

This Portable Air conditioner is designed to evaporate the condensation removed from the interior area. Under certain conditions it is not possible that the unit will evaporate 100% of the removed moisture. As the unit accumulates condensation, under normal condition, it will be evaporated through the exhaust hose.

The unit is designed with a built-in water tank and a pump to remove the access condensate-water.

Internal Water Level

1. When the water level is in “low” area, the unit will function normally.
2. If the water level is in the “normal” area, the unit will continue to function normally with the internal recirculation pump operating to evaporate the water through the exhaust hose. You may hear the pump operate periodically.
3. If the water level is in the “high” area, the unit will function normally and the water pump will work for 10 minutes. After running for 10 minutes, if the water level is still in the “high” area, the unit will turn off. The “WATER FULL” indicator on the control panel will illuminate. If the unit has a LCD, failure code E5 will display.

Emptying Water Tank

The water can be drained from the unit either by removing the drainage plug and allowing the water to drain by gravity, or the pump can be used to empty the tank.

1. When WATER FULL is on, unplug the unit and move to the unit to the suitable location for draining the tank.
2. If using the gravity drain method, make sure that the drainage plug is located higher than the drain area before plug is removed. After the tank is emptied, re-install the drainage plug. This method can be used for continuous draining of the tank by leaving the plug connected to the drain area.
If using the internal pump to empty the water tank, securely place the drain hose in the sink. Re-power the unit and press the TIMER and SWING button simultaneously, the pump will begin to operate. When the water tank is empty, turn the unit off and unplug the unit.
3. Return the unit to the desired location, restore the power and duct connections.
4. The WATER FULL indicator should be off and unit will return to normal operating mode.

ALWAYS REMOVE POWER FROM UNIT BEFORE SERVICING

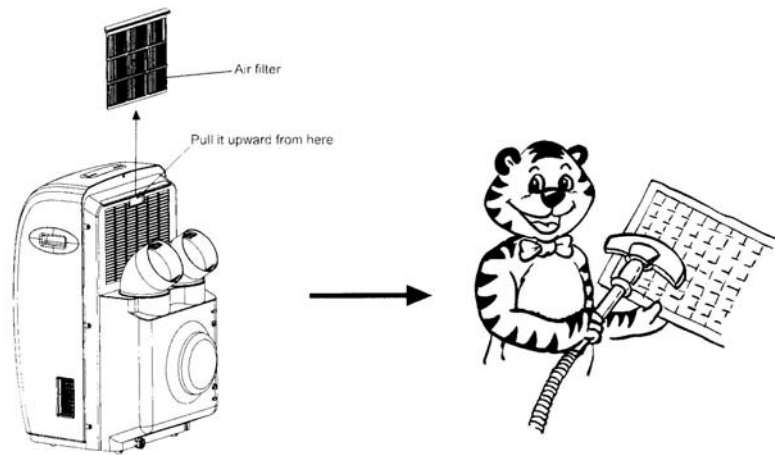
CLEANING THE AIR FILTER

For more efficient operation air filter must be cleaned regularly. Performance of this unit is highly affected by a clogged air filter. Air filter should be cleaned every 2 weeks of operation or sooner if necessary.

To remove the air filter:

1. Directly pull out the air filter as in the figure below.
2. Wash the air filter by immersing it gently into warm (about 104°F) water with a mild detergent.
3. Rinse filter thoroughly and let dry before re-installing.
4. Install the air filter back to its original position.

If Air Filter is not excessively dirty, a vacuum may be used in place of washing.



CLEANING OF THE AIR CONDITIONER

Outside surface of the unit may be cleaned with a damp cloth, then allow to dry before operating.

DO NOT use chemical solvents or harsh detergents to clean the outside surfaces. This may cause discoloration or deformation of the casing parts.

PRIOR TO SEASONAL OPERATION

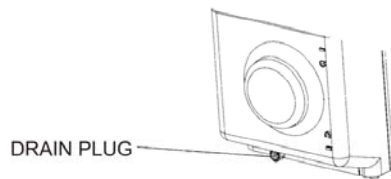
- Check inlets and outlets for obstructions.
- Make sure that the air filter is cleaned and properly in place.

NOTE: If the unit is operated with the air filter removed, dust and foreign objects can enter the unit, causing damage, or inefficient operation.

AFTER SEASONAL OPERATION

After the operational season or when the unit is to be stored, You should:

1. Turn off the air conditioner and remove the power source.
2. Clean Air Filter and outside of unit as explained earlier.
3. Open the Drain at the bottom rear of the unit.
4. Allow all condensation to drain, then close the drain.
5. Operate the unit for a few hours in fan only mode to dry any condensation from the inside of the unit.
6. Unit may be covered to prevent dust and dirt from entering unit during storage.



SAFETY PRECAUTIONS



CAUTION

- Do not use in very small confined spaces
- Keep out of direct sunlight. Extended periods of exposure to direct sunlight will cause discoloration of unit.



WARNING

- Do not operate in wet or extremely damp areas.
- Do not use near Gas appliances, fires, or in the vicinity of flammable liquids.



SHOCK HAZARD

- Inspect Power cord regularly. Replace cord if frayed, broken, or otherwise damaged.
- Turn off unit before unplugging
- When unplugging the unit, hold the plug and remove from socket. DO NOT UNPLUG BY PULLING ON POWER CORD.
- Keep away from Televisions, and radios, to avoid the risk of electromagnetic interference.
- Do not block or restrict the Air inlet and outlets.
- Do not Tip or turn over. Do not store this unit on its side.
- Do not spray unit with Insecticides or other chemicals.

IF YOU ARE HAVING TROUBLE WITH THE OPERATION OF THIS UNIT
PLEASE CHECK THE FOLLOWING BEFORE SEEKING REPAIR OR
SERVICE.

TROUBLE	CHECK	ACTION
Air conditioner does not operate at all.	Is there power to the unit? Is it plugged in? Did the Circuit breaker or fuse trip? Is the timer activated?	Verify power to unit. Plug unit into the wall Reset Circuit Breaker or replace fuse Change the set time
Cooling efficiency is not good	Is the air inlet or outlet blocked? Are there any other heat sources in the room? Is the air filter dirty? Is the set temp suitable? Is the fan speed set too low?	Verify that air inlet and outlet are free from any blockage Move any other heat sources, or move unit away from heat source. Clean the air filter Re-adjust the Set temperature Re-adjust the fan speed
Too noisy or Vibrates	Is unit level?	Place unit on a flat level surface
Machine starts and stops frequently	Is the voltage from the power source adequate? Is the air exhaust blocked?	Check Voltage Adjust Exhaust pipes to eliminate bends



WARNING

In case of major malfunction, disconnect power immediately, and call for service.

Major Malfunctions include:
Circuit breaker or Fuse trips continuously
Power cord is warm to the touch or hot.
Abnormal conditions, loud noises, etc.

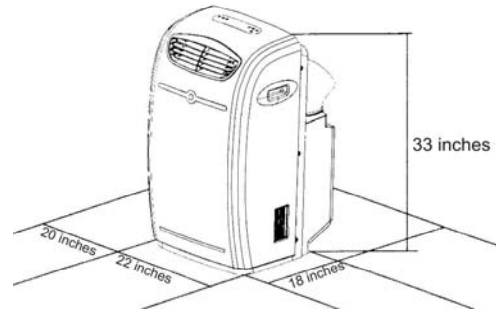
Self Diagnosis Functions

This unit has built in diagnosis functions. If the unit fails or is operating incorrectly, check the unit display for error codes.

Error Code	Diagnosis or malfunction
E2	Room temperature sensor failure
E3	Coil Sensor Failure
E4	Unit Abnormal
E5	High Water Level

SELECTION OF INSTALLATION LOCATION

Place the Portable air conditioner in a flat location where the air outlets are not blocked. Place the unit at least 20" (500mm) from walls or other obstacles.



INSTALLING THE AIR INLET AND EXHAUST HOSES

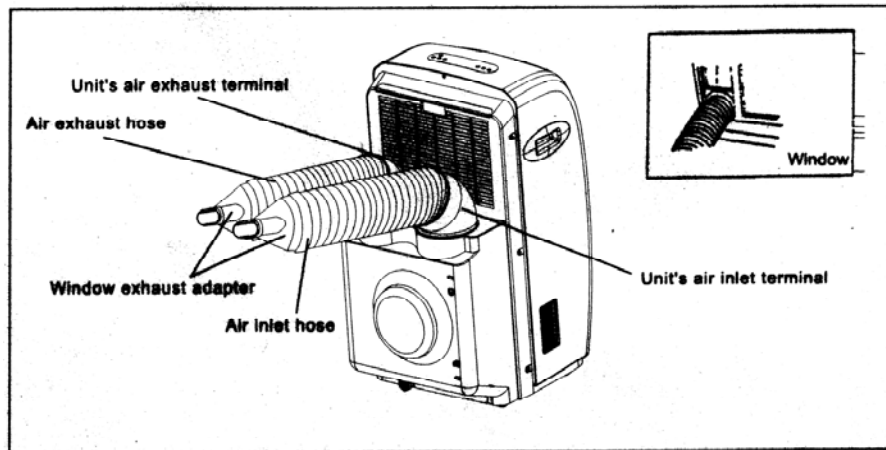
1. Fit one end of the exhaust hose to the exhaust port on the unit. Turn 2-3 full turns to tighten the hose.
2. Repeat for the Inlet hose.
3. Straiten hoses to window

Note: length of hoses should be between 24" and 70". Do not extend hoses longer than 70".



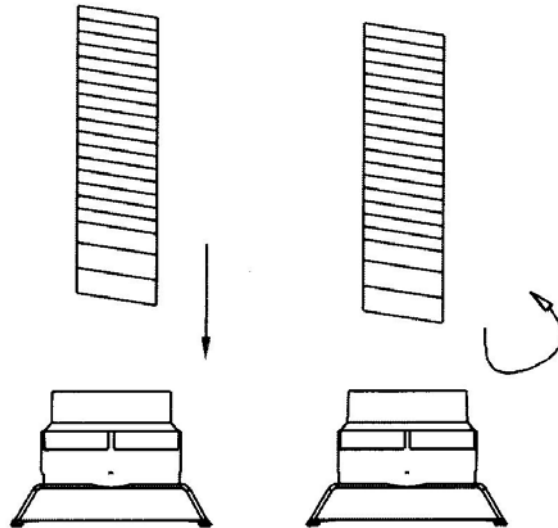
CAUTION

When mounting, hose should be kept as horizontal as possible. **DO NOT CONNECT INLET AND OUTLET HOSES TOGETHER.** Serious damage to unit can occur.



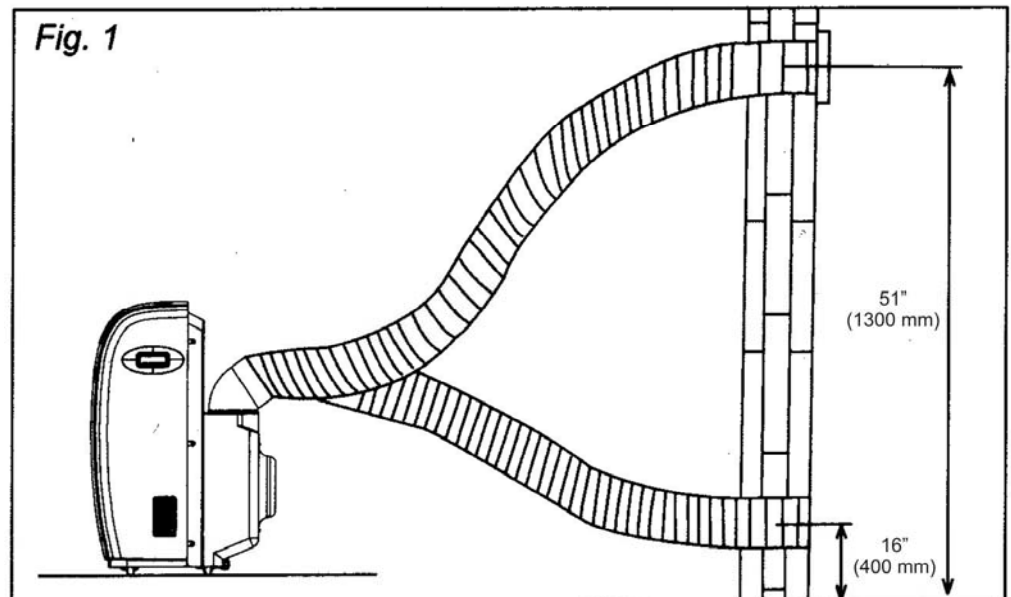
INSTALLING THE EXHAUST HOSE

If the hose becomes shredded at the end, you may cut the damaged section off and re-install as before.

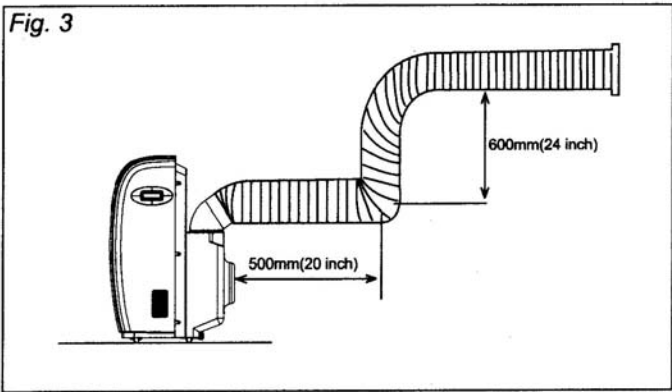
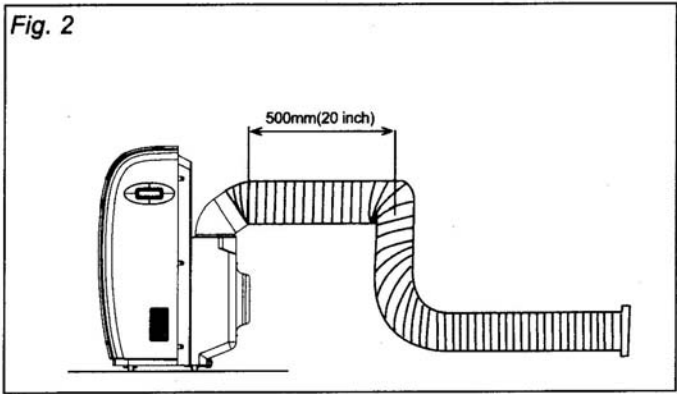


Correct mounting shown below, see Fig. 1 Fig.2& Fig.3.

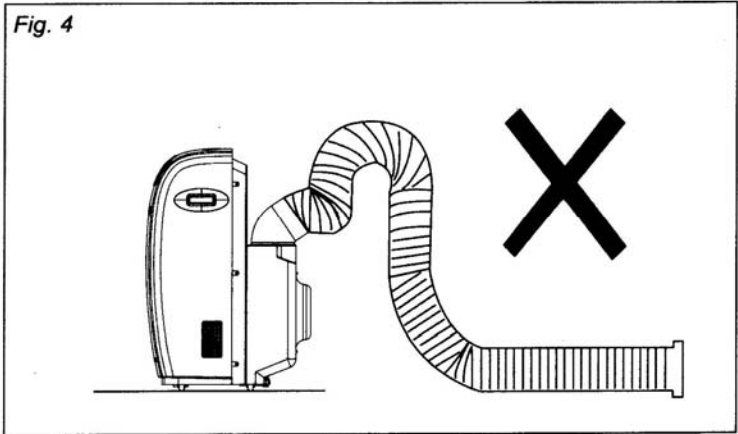
If mounting in the wall the height of the hole should be between 16" and 51"(400mm-1300mm) Note: There two exhaust hoses of this unit, their installations are same. You can choose any one of the recommended installations as shown in the diagrams below..



If the air exhaust requires bending, please see the diagrams below.

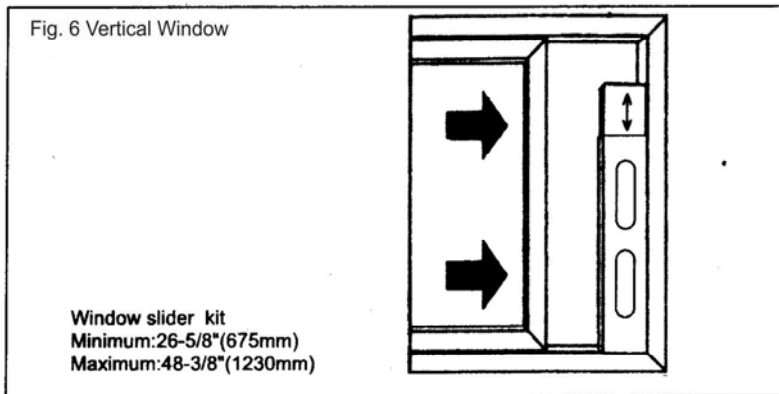
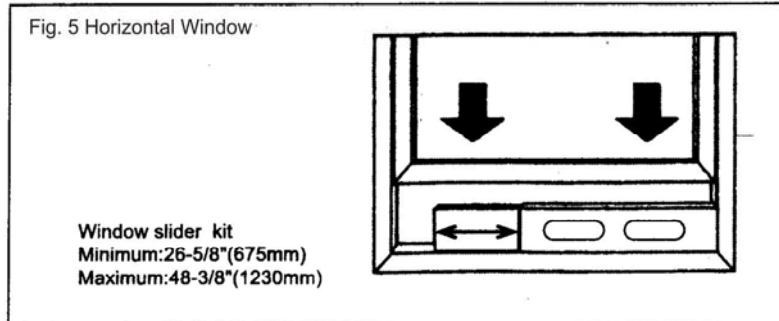


Incorrect Hose Mounting Fig. 4 (Air exhaust bend too large).

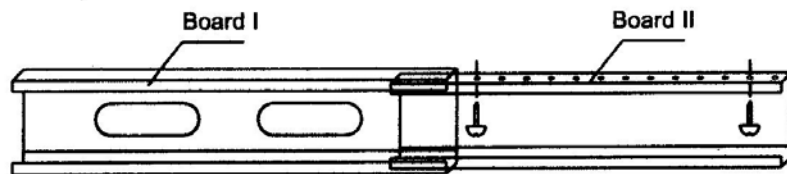


Window Kit Installation

Your Window Kit has been designed to fit most standard "Vertical" and "Horizontal" window applications. However, it may be necessary for you to improvise/modify some aspects of the installation procedures for certain types of windows. Please refer to Fig. 5 & Fig.6 for minimum and maximum window openings

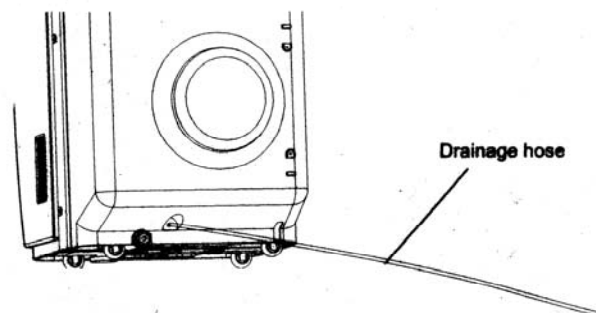


INSTRUCTIONS: Install (2) screws on to installation board II as shown below.



Drain Hose Installation

Attach the drain hose to the drain at the lower back of the unit.



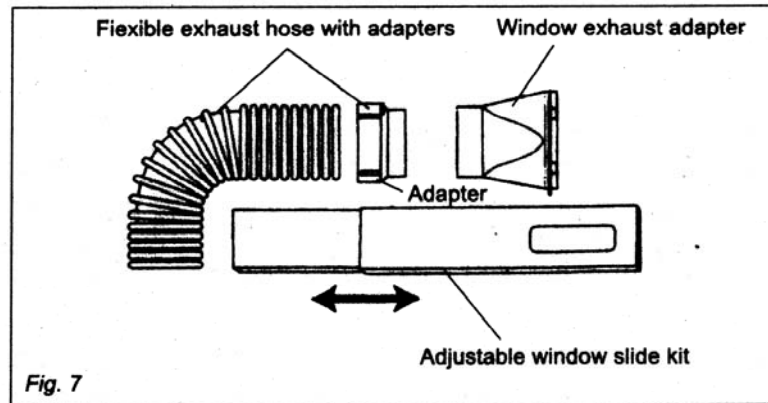
INSTALLATION ACCESSORIES (FIG.7)

DESCRIPTION

Flexible Exhaust hose with adapters (1)
 (Kit contains 2 hoses and 2 adapters)
 Stretches from 19-1/2" (500 mm) to 78-3/4" (2000mm)

Window Exhaust adapter kit(1)
 2 pieces in kit

Adjustable window slider kit(1)
 Fits windows from 26-5/8" (675mm) to 48-3/8" (1230mm)
 (includes 2 screws)



Product Specifications

PORTABLE AIR CONDITIONER	
MODEL	PAC9D
COOLING CAPACITY	9000 BTU
HEATING CAPACITY	N/A
WATERPROOF TYPE	IP20
ELECTRIC SHOCK PROTECTION CLASS	I
RATED VOLTAGE	115 VAC
RATED FREQUENCY	60 Hz
COOLING POWER INPUT	1260 WATTS
COOLING CURRENT INPUT	11.2 AMPS
HEATING POWER INPUT	N/A
HEATING CURRENT INPUT	N/A
INDOOR DISCHARGE AIR FLOW	206 CF/M
RATED POWER INPUT	1420 WATTS
RATED CURRENT INPUT	11.6 AMPS
NOISE LEVEL	58 DB/A
REFRIGERANT TYPE/WT.	R22(1.56 LBS)
WORKING PRESSURE HIGH SIDE	348 PSI
WORKING PRESSURE LOW SIDE	94.2 PSI
NET WT/GROSS WT	88/94.6 LBS
BREAKER SIZE	15 A
UNIT DIMENSIONS (WxHxD)	22.5"x33.2"x17.7"

Product Specifications subject to change without notice.



WARRANTY

International Refrigeration Products warrants that the product supplied is free from defects in material and workmanship. This warranty is valid as long as this product is properly handled, installed, operated and serviced in accordance with the Installation and Operating Instructions shipped with this unit, and warranty card is completed and mailed no later than 30 days after date of purchase. All warranty claims must be made within one (1) year (five (5) years for compressor) from date of purchase (unless national regulations require a longer registration period).

This warranty provides free replacement of defective parts only. Labor, and replacement as a result of normal wear and tear are not covered under this warranty.

Additional claims are excluded, unless required by national regulations. International Refrigeration Products Inc. is not responsible for incidental, consequential, direct, or indirect damages, or expenses relating to the use of, or the inability to use the product for any purpose. Other implied warranties are excluded.

This constitutes International Refrigeration Products' warranty obligation and replaces any and all prior warranties for this product.

INTERNATIONAL REFRIGERATION PRODUCTS INC.
11325 Nations Ford Rd. Charlotte, NC 28134-8393
(704)504-8590 Phone (704)504-3023 Fax