



WINDOW AIR CONDITIONER INSTALLATION AND OPERATION



CATALOG NO.	PRODUCT CODE
WAC6115R	420-0005
WAC8115R	420-0008

TABLE OF CONTENTS

AIR CONDITIONER SAFETY.....	2
INSTALLATION REQUIREMENTS.....	3
ELECTRICAL REQUIREMENTS.....	4
INSTALLATION INSTRUCTIONS.....	6
AIR CONDITIONER USE.....	8
AIR CONDITIONER CARE.....	11
TROUBLESHOOTING.....	11
SPECIFICATIONS.....	13
WARRANTY.....	15

TECHNICAL SUPPORT

IF YOU NEED TECHNICAL SUPPORT, PLEASE CALL (705) 504-8590 BETWEEN THE HOURS OF 8:00 A.M. and 5:00 P.M. EST.
PLEASE HAVE THE MODEL NUMBER AND SERIAL NUMBER OF YOUR EQUIPMENT AVAILABLE WHEN YOU CALL.

AIR CONDITIONER SAFETY

Your safety and the safety of others is very important
We have provided many important safety messages in this manual and on your appliance.
Always read and follow all safety instructions.



This is the safety alert symbol.
This symbol alerts you to potential hazards that can kill or hurt you or others.

All safety messages will follow the safety alert symbol and the word "DANGER" or "WARNING".

These words mean:



You can be seriously injured if instructions are not followed.



Bodily injury or damage to personal property may occur if instructions are not followed.

All safety messages will tell you what the potential hazard is, tell you how to reduce the chance of injury, and tell you what can happen if the instructions are not followed.

IMPORTANT SAFETY INSTRUCTIONS

WARNING: To reduce the risk of fire, electrical shock, or injury when using your air conditioner, follow these basic precautions:

- Plug into a grounded 3 prong outlet.
- Do not remove ground prong
- Do not use an adapter.
- Do not use an extension cord
- Unplug air conditioner before servicing
- Use two or more people to move and install air conditioner.

SAVE THESE INSTRUCTIONS

INSTALLATION REQUIREMENTS

Gather the required tools and parts before starting installation. Read and follow the instructions provided with the tools listed Here.

Tools Needed

- Flat-Blade and Phillips screwdrivers
- Level
- Scissors
- Tape measure
- Drill and 3/32" or smaller bit
- Utility Knife

IMPORTANT: Observe all governing codes and ordinances. Check the location where air conditioner will be installed. Proper Installation is your responsibility. Make sure you have everything necessary for correct installation.

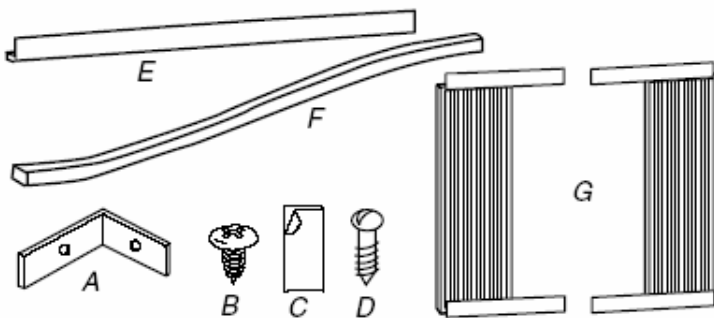
The location should provide:

- Grounded electrical outlet within 4 ft (122 cm) of where the power cord exits the air conditioner.
NOTE: Do not use an extension cord.
- Free movement of air in room to be cooled
- A large enough opening for the air conditioner

NOTE: Cabinet louvers must not be obstructed. Air must be able to pass freely through the cabinet louvers.

Parts Supplied (on some models)

Check that all parts are included in the parts package.



A. Window-lock bracket

B. #8 x 3/8" round-head screws (6)

C. Foam adhesive sealer

D. #8 x 3/4" wood screws (3)

E. Top channel

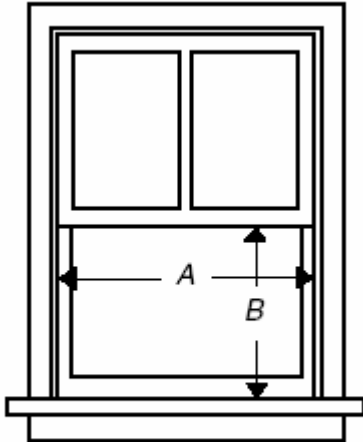
F. Foam seal

G. Side curtains (2)

Window Installation

Window opening measurements:

- 25" min to 38" max (63.5 cm to 95.5cm) opening width.
- 14" min. (35.6 cm) opening height.



A. 25" (63.5 cm) minimum
B. 14" (35.6 cm) minimum

ELECTRICAL REQUIREMENTS

⚠ WARNING

Electrical Shock Hazard

Plug into a grounded 3 prong outlet.

Do not remove ground prong.

Do not use an adapter.

Do not use an extension cord.

Failure to follow these instructions can result in death, fire, or electrical shock.

Ground wire must be connected to ground screw located in lower right corner of air conditioner when air conditioner is in cabinet. The electrical ratings for your air conditioner are listed on the model and serial number label. The model and serial number label is located behind the front panel on the flange below the Control panel area. Specific Electrical requirements are listed in the chart below. Follow the requirements for the type of plug on the power supply cord.

Power supply cord	Wiring requirements
	<ul style="list-style-type: none"> ■ 115 volt (103.5 min. - 126.5 max.) ■ 0-12 amps ■ 15-amp time-delay fuse or circuit breaker ■ Use on single outlet circuit only.

Recommended Ground Method

This air conditioner must be grounded. This air conditioner is equipped with a power supply cord having a grounded 3 prong plug. To minimize possible shock hazard, the cord must be plugged into a mating, grounded 3 prong outlet, grounded in accordance with all local codes and ordinances. If a mating outlet is not available, it is the customer's responsibility to have a properly grounded 3 prong outlet installed by a qualified electrical installer.

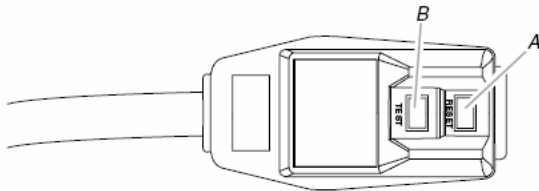
It is the customer's responsibility to:

- Contact a qualified electrical installer.
- Assure that the electrical installation is adequate and in conformance with National Electrical Code, NNSI/NFPA 70- latest edition, and all local codes and ordinances.

Copies of the standards listed may be obtained from:
National Fire Protection Association
One Batterymarch Park
Quincy, MA 02269

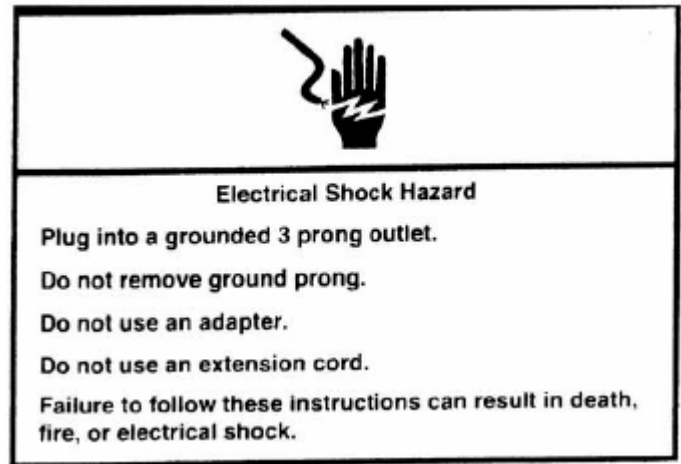
LCDI Plug and Power Cord

NOTE: Your unit's device may differ from the ones shown.



A. Reset button
B. Test button

This room air conditioner is equipped with a power supply cord required by UL. This power supply cord contains state-of-the-art electronics that sense leakage current. If the cord is crushed, the electronics detect leakage current, and power will be disconnected in a fraction of a second.



To Test Your LCDI Power Cord :

1. Plug power supply cord into a grounded 3 prong outlet.
2. Press RESET (on some devices, a green light will turn on)
3. Press TEST (Listen for a click; Reset button will trip, and on some devices, a green light will turn on).
4. Press and release RESET (Listen for a click; Reset button will Latch and remain in). The power supply cord is ready for operation.

NOTES:

- The reset button must be pushed for proper operation
- The power supply cord must be replaced if it fails to trip when the test button is pressed or fails to reset
- Do not use the power supply cord as an off/on switch. The power supply cord is designed as a protective device.
- A damaged power supply cord must be replaced with a new power supply cord obtained from the product manufacturer and must not be repaired.
- The power supply cord contains no user serviceable parts. Opening the tamper-resistant case voids all warranty and performance claims.

INSTALLATION INSTRUCTIONS

UNPACKING

⚠ WARNING

Excessive Weight Hazard

Use two or more people to move and install air conditioner.

Failure to do so can result in back or other injury.

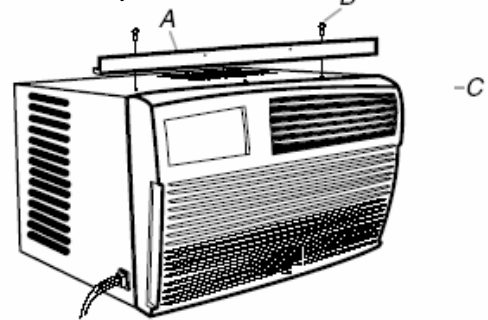
Remove packaging materials

- Remove and dispose or recycle all packaging materials. Remove tape and glue residue from surfaces before turning on the air conditioner. Rub a small amount of liquid dish soap over the adhesive with your fingers. Wipe with warm water and dry.
- Do not use sharp instruments, rubbing alcohol, flammable fluids or abrasive cleaners to remove tape or glue. These products can damage the surface of your air conditioner.
- Handle air conditioner gently.

Prepare Air Conditioner for Installation

1. Location provided bags of screws.
2. Place the top channel on top of the air conditioner, lining up the holes in top channel with the holes on top of air conditioner.
3. Using 2-#8 x 3/8" pan-head screws, attach top channel to air conditioner.

NOTE: Your model may differ from the one shown.



A. Top channel
 B. #8 x 3/8" pan-head screw
 A. Window sash
 B. Lower rail behind back side of window
 C. Top channel

Window Installation (on some models)

NOTES:

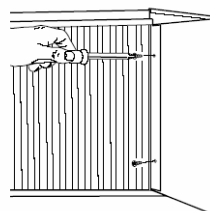
- Handle air conditioner gently.
- Be sure your air conditioner cabinet does not fall out of the opening during installation or removal.
- The location where the power cord exits the air conditioner should be no more than 4 ft (122cm) from a grounded 3 prong outlet.
- Do not block the louvers on the front panel.
- Do not block the louvers on the outside of the air conditioner.

Install side curtains

NOTE: Attach curtains to unit before placing unit in window.

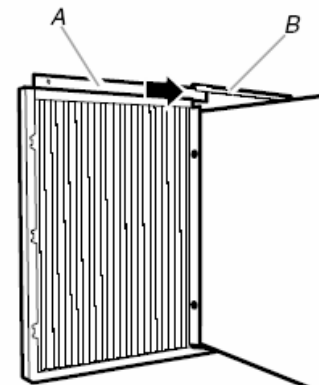
1. Remove unit from packaging.
2. Locate provided bag of screws.
3. Insert top and then bottom of right-hand curtain housing in top and bottom curtain channels on air conditioner.
4. Extend right-hand curtain outward so you may insert a #8 x 3/4" Round-head screw through the top hole of the curtain. Using #8 x 3/8" screw, screw curtain to top hole in air conditioner cabinet.

NOTE: This screw is required to correctly attach curtain (top to bottom) to the air conditioner cabinet.



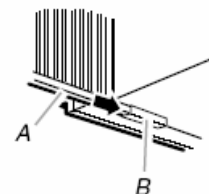
5. While the right-hand curtain is still extended, bottom slot of the curtain. Using #8 x 3/8" pan-head screw through the bottom hole in the air conditioner cabinet.
6. Slide the curtain housing into the channels as shown.
7. Repeat above steps for the left-hand curtain.

Top view



A. Curtain housing
 B. Curtain top channel on air conditioner

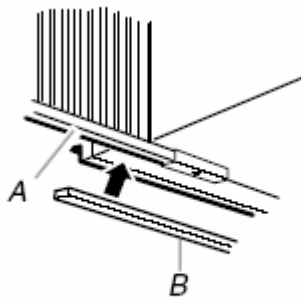
Bottom view



A. Curtain housing
 B. Curtain bottom channel on air conditioner

Attach foam adhesive seal

Attach foam adhesive seal along the bottom of the curtain Bottom channel.



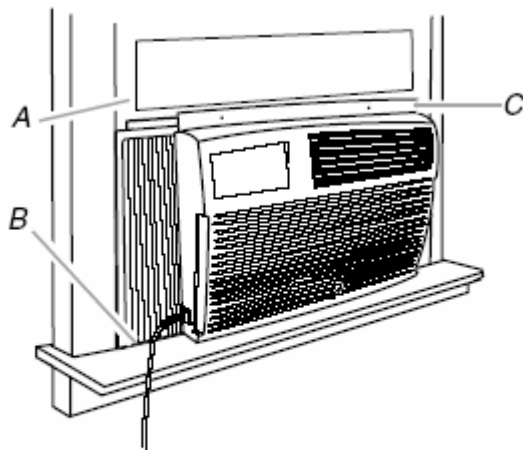
A. Curtain housing
B. Foam adhesive seal

Position the Air Conditioner

1. Center air conditioner in window. Check that lower rail of air conditioner is behind and against back side of windowsill. Lower window sash to hold cabinet in place.

NOTE: Your model may differ from the one shown.

2. Pull left-hand curtain out until it fits into the window channel. Repeat with right-hand curtain.



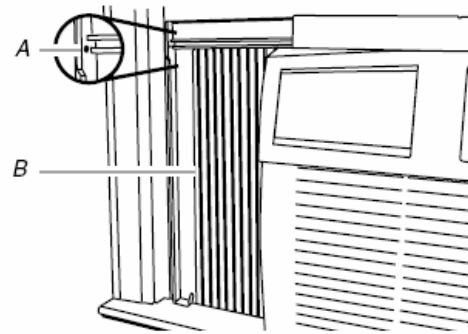
A. Window sash
B. Lower rail behind back side of windowsill
C. Top channel

Attach side curtains to window

1. Insert one of the #8 x 3/4" slotted wood screws through left-hand curtain and into the window channel to fasten the curtain to the window sash.
2. Repeat for the right-hand curtain.

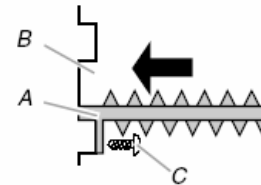
NOTE: Your model may differ from the one shown.

Front view



A. Hole in #8 x 3/4" slotted wood screw
B. Side curtain

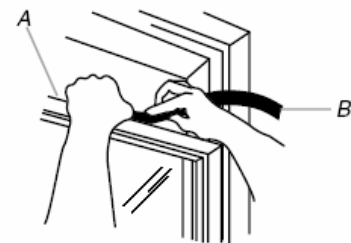
Top view



A. Side curtain against window channel
B. Window channel
C. #8 x 3/4" slotted wood screw

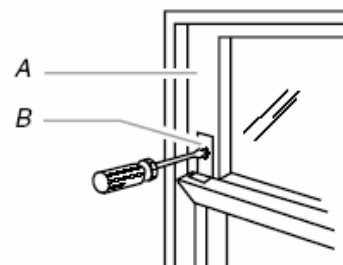
Complete Installation

1. Insert foam seal behind the top of the lower window sash and against the glass of the upper window.



A. Top of lower window sash
B. Foam seal

2. Place window-lock bracket on top of lower window and against upper window sash.
3. Use a 3/32" drill bit to drill a starter hole through the hole in the bracket.



A. Upper window sash
B. Window-lock bracket

- Attach window-lock bracket to window sash with one of the #8 x 3/4 slotted wood screws to secure window in place.
- Plug into a grounded 3 prong outlet.

- Press PESET on the power supply cord.

AIR CONDITIONER USE

Operating your air-conditioner properly helps you obtain the best possible results.

This section explains proper air conditioner operation

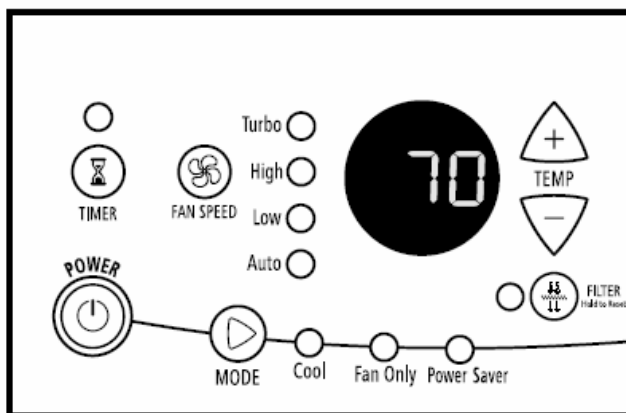
IMPORTANT:

If you turn the air conditioner off, wait at least 3 minutes before turning it back on. This prevents the air conditioner from blowing a fuse or tripping a circuit breaker.

Do not try to operate your air conditioner in the cooling mode when outside temperature is below 65° F (18°C). The inside evaporator coil will freeze up, and the air conditioner will not operate properly.

NOTE: in the event of a power failure, your air conditioner will operate at the previous settings when power is restored.

Starting Your Air Conditioner-Digital Control



NOTES: When the air conditioner is off, the display shows the current room temperature.

If the room temperature is below 55°F (13°C), the display will show 55°F (13°C). If the room temperature is above 99°F (37°C), the display will show 99°F (37°C). The display operation ranges from 64 to 86 °F.

- Press POWER to turn on the air conditioner.



Note: When the air conditioner is turned on for the first time after it is plugged in, it will display the default settings: Cool mode, Turbo fan speed, 72°F (22°C) for 3 seconds. When it is turned on at all other times, it will default to the previous settings.

- Select mode. See "Mode".
- Select fan speed. See "Fan Speed"
- Set temperature. See "Temperature".

MODE

- Press MODE until you see the indicator light come on for the setting you desire.

- Choose Cool, Fan Only or Power Saver.



Cool – Cools room. You can adjust temperature by pressing the plus or minus button. You can select fan speed by pressing Fan Speed.

Fan Only – Only the fan will run. You can select the fan speed by pressing Fan Speed, but you can not adjust the temperature control setting. The display shows the current room temperature.

NOTE: Auto fan speed cannot be selected in Fan Only mode.

Power Saver – The fan and compressor run when cooling is needed. When this feature is selected, the fan will turn off when the temperature is satisfied. The fan and compressor will operate only as required to satisfy the set temperature.

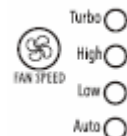
Compressor restarts in 3 minutes after the unit stops. Compressor will not stop running for the first 6 minutes after restarting unless unit is turned off.

NOTE: After 3 seconds, display will show the current room temperature.

FAN SPEED

- Press FAN SPEED until you see the indicator light come on for the setting you desire.

- Choose Turbo, High, Low, or Auto



- In the Auto setting, the fan speed automatically adjusts depending on the room temperature.

FILTER RESET

- When FILTER indicator light is lit or flashing, remove, clean and replaces the air filter. See "Changing the Air Filter".
- Replace air filter.
- Press and hold FILTER after replacing the air filter.



TEMPERATURE

Press the plus TEMP button to raise the temperature. Display shows the temperature control setting. Each time you press or hold the plus button, the temperature will increase 1°F until it reaches 86°F (30°C).

NOTE: After 3 seconds, the display will show the current room temperature.



Press the minus button to lower the temperature. The display shows the temperature setting. Each time you press or hold the minus button, the temperature will decrease 1° until it reaches 64°F (18°C).

NOTE: After 3 seconds, the display will show the current room temperature.

TIMER DELAY

To set the Timer for a 1- to 24-hour delay until the air conditioner turns off (the air conditioner must be On):

1. Press TIMER. Timer indicator light will flash. Display will show remaining hours before air conditioner will turn off.



2. Press the plus or minus button to adjust the delay time (1 to 24 hours).

3. Press TIMER again or wait 10 seconds. Timer indicator light will remain on. Display will show the current room temperature.

To set the Timer to turn on the air conditioner, keeping previous settings:

1. Turn off air conditioner.

2. Press TIMER. Timer indicator light will flash. Display will show remaining hours before air conditioner will turn on.

3. Press the plus or minus button to change delay time (1 to 24 hours).

4. Press TIMER again or wait 10 seconds. Timer indicator light will remain on. Display will show current room temperature.

To set the timer to turn on the air conditioner, changing the previous settings:

1. Turn on air conditioner.

2. Adjust Mode to Cool, Fan Only, or Power Saver.

3. Adjust Fan Speed to Turbo, High, Low, or Auto.

4. Adjust temperature between 64°F (18°C) and 86°F (30°C).

5. Wait 3 seconds before turning off air conditioner.

6. Press TIMER. Timer indicator light will flash. Display will show remaining hours before air conditioner will turn on.

7. Press the plus or minus button to change delay time (1 to 24 hours).

8. Press TIMER again or wait 10 seconds. Timer indicator light will remain on. Display will show current room temperature.

To clear Timer Delay program:

NOTE: Air conditioner can be either off or on.

Press and hold timer for 3 seconds. Timer indicator light will shut off.

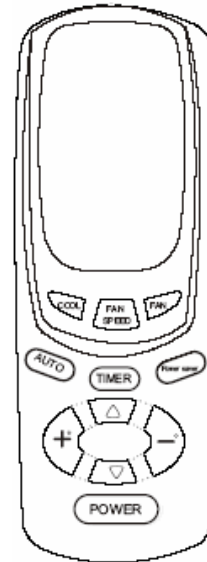
To see or change the remaining time (in hours):

1. Press TIMER once after it has been programmed.

2. While the display is showing the remaining time, you can press the plus or minus button to increase or decrease the time.

To operate air conditioner with remote control

NOTE: Remote control may vary in appearance.



NOTE: Two AAA batteries (included) power the remote control. Replace the batteries after 6 months of use, or when the remote control starts to lose power. The remote operates ranging from 64-86 °F.

To turn the air conditioner on or off

Press POWER



To select the mode:

Press COOL, FAN, or POWER SAVER



To select the fan speed:

Press FAN SPEED or AUTO for Turbo, High or Low.

NOTE: Auto fan speed can not be selected in Fan Only mode.



To raise the temperature:

Press the plus button to raise the temperature. Each time you press or hold the plus button, the temperature will go up 1°F until it reaches 86°F (30°C).

**To lower the temperature:**

Press the minus button to lower the temperature. Each time you press or hold the minus button, the temperature will go down 1°F until it reaches 64°F (18°C).

**To set Timer for a 1- to 24-hour delay before air conditioner is turned off (air conditioner must be on):**

1. Press TIMER. Indicator light on air conditioner control panel will flash.



2. Press the plus or minus button to change the delay time from 1 to 24 hours.

3. Press TIMER again or wait 10 seconds. Indicator light on air conditioner control panel will remain on.

To set Timer to turn on air conditioner, keeping previous settings:

1. Turn off air conditioner.
2. Press TIMER. Indicator light on air conditioner control panel will flash.
3. Press the plus or minus button to change delay time (1 to 24 hours).
4. Press TIMER again or wait 10 seconds. Indicator light on air conditioner control panel will remain on.

To set Timer to turn on air conditioner, changing the previous settings:

1. Turn on air conditioner.
2. Adjust Mode to Cool, Fan Only, or Power Saver.
3. Adjust Fan Speed to Turbo, High or low, or Auto.
4. Adjust temperature between 64°F (18°C) and 86°F (30°C).
5. Turn off Air Conditioner.
6. Press TIMER. Indicator light on air conditioner control panel will flash.
7. Press the plus or minus button to change delay time (1 to 24 hours).
8. Press TIMER again or wait 10 seconds. Indicator light on air conditioner control panel will remain on.

Changing Air Direction

Roll the wheel to direct the air right or left. Rotate the whole cartridge to direct air up, down, or straight ahead.

Normal Sounds

When your air conditioner is operating normally, you may hear sounds such as:

Clicking Sound. The water droplets help cool the condenser.

Air movement from the fan.

Clicks from the thermostat cycle

Vibrations or noise due to poor wall or window construction.

A high-pitched hum or pulsating noise caused by the modern high-efficiency compressor cycling on and off.

AIR CONDITIONER CARE

Your new air conditioner is designed to give you many years of dependable service. This section tells you how to clean and care for your air conditioner properly. Call your local authorized dealer for an annual checkup. Remember... the cost of this service call is your responsibility.

Cleaning the Air Filter

The air filter is removable for easy cleaning. A clean filter helps remove dust, lint, and other particles from the air and is important for best cooling and operating efficiency. Check the filter every 2 weeks to see whether it needs cleaning.

NOTE: Do not operate the air conditioner without the filter in place.

1. Turn off air conditioner.
2. Remove air filter by sliding filter out from either side of unit.
3. Use a vacuum cleaner to clean the air filter. If air filter is very dirty, wash it in warm water with a mild detergent. Do not wash air filter in the dishwasher or use any chemical cleaners. Air dry filter completely before replacing to ensure maximum efficiency.
4. Replace air filter by sliding filter back into either side of unit.

Cleaning the Front Panel

1. Turn off air conditioner
 2. Remove the air filter and clean it separately. See Cleaning the Air Filter.
 3. Wipe the front panel with a soft, damp cloth.
 4. Air dry front panel completely.
-

Repairing Paint Damage

Check once or twice a year for paint damage. This is very important, especially in areas near oceans or where rust is a problem. If needed, touch up with a good grade enamel paint.

NOTE: To reduce paint damage during the winter, install a heavy duty cover over air conditioner cabinet.

Annual Maintenance


Your air conditioner needs annual maintenance to help ensure steady, top performance throughout the year. Call your local authorized dealer to schedule an annual checkup. The expense of an annual inspection is your responsibility.

TROUBLESHOOTING

Before calling for service, try the suggestions below to see whether you can solve your problem without outside help.

Air Conditioner will not operate

⚠ WARNING



Electrical Shock Hazard

Plug into a grounded 3 prong outlet.
Do not remove ground prong.
Do not use an adapter.
Do not use an extension cord.
Failure to follow these instructions can result in death, fire, or electrical shock.

The power supply cord is unplugged. Plug into a grounded 3 prong outlet. See "Electrical Requirements".

The power supply cord has tripped (Reset button has popped out). Press and release RESET (listen for click; Reset button will latch and remain in) to resume operation.

A household fuse has blown, or a circuit breaker has tripped. Replace the fuse or reset the circuit breaker. If the problem continues, call an electrician. See "Electrical Requirements".

Depending on model, the Power button has not been pressed or the Fan control is turned to Off. Press POWER or turn the Fan control to an active setting.

The local power has failed. Wait for power to be restored.

Air Conditioner blows fuses or trips circuit breakers

Too many appliances are being used on the same circuit. Unplug or relocate appliances that share the same circuit.

Time-delay fuse or circuit breaker of the wrong capacity is being used. Replace with a time-delay fuse or circuit breaker of the correct capacity. See "Electrical Requirements".

An extension cord is being used. Do not use an extension cord with this or any other appliance.

You are trying to restart the air conditioner too soon after turning the unit off. Wait at least 3 minutes after turning the unit off before trying to restart the air conditioner.

Air conditioner power supply cord trips (Reset button pops out)

Disturbances in your electrical current can rip (Reset button will pop out) the power supply cord. Press and release RESET (listen for click; Reset button will latch and remain in) to resume operation.

Electrical overloading, overheating, pinched cord can trip (Reset button will pop out) the power supply cord.

After correcting the problem, press and release RESET (Listen for click; Reset button will latch and remain in) to resume operation.

NOTE: A damaged power supply cord must be replaced with a new power supply cord obtained from the product manufacturer and must not be repaired.

Air conditioner seems to run too much

The current air conditioner replaced an older model. The use of more efficient components may cause the air conditioner to run longer than an older model, but the total energy consumption will be less. Newer air conditioners do not emit the blast of cold air you may be accustomed to from older units, but this is not an indication of lesser cooling capacity or efficiency. Refer to the efficiency rating (EER) and capacity rating (in BTU/hr.) marked on the air conditioner.

The air conditioner is in a heavily occupied room, or heat-producing appliances are in use in the room. Use exhaust vent fans while cooking or bathing and try not to use heat-producing appliances during the hottest part of the day. A higher capacity air conditioner may be required, depending on the size of the room being cooled.

Air conditioner cycles on and off too much, or does not cool/heat room in cooling/heating mode

The Mode or Fan control is set to Power Saver (on some models). Use power Saver only when you are asleep or away from home, since the fan does not circulate the room air continuously. Use Low Cool, High Cool or Turbo Cool for your best comfort.

The air conditioner is not properly sized for your room. Check the cooling capabilities of your room air conditioner. Room air conditioners are not designed to cool multiple rooms.

The filter is dirty or obstructed by debris. Clean the filter.

The inside evaporator and outside condenser coils are dirty or obstructed by debris. See Annual Maintenance.

There is excessive heat or moisture (open container cooking, showers, etc.) in the room. Use a fan to exhaust heat or moisture from the room. Try not to use heat producing appliances during the hottest part of the day.

The louvers are blocked. Install the air conditioner in a location where the louvers are free from curtains, blinds, furniture, etc.

The outside temperature is below 65°F (18°C). Do not try to operate your air conditioner in the cooling mode when the outside temperature is below 65°F (18°C).

The temperature of the room you are trying to cool is extremely hot. Allow extra time for the air conditioner to cool off a very hot room.

Windows or doors to the outside are open. Close all windows and doors.

The Vent control is set to OPEN (on some models). Push the Vent control to CLOSED for maximum cooling and/or heating.

The temperature set point or Thermostat control is not at a cool enough setting. Adjust the temperature set point to a cooler setting by pressing the minus button to reduce the temperature or adjust the Thermostat control to a cooler setting by turning the knob clockwise. Turn the Fan control to Turbo Cool.

Temperature on display does not match room temperature

When the compressor and fan motor turn off during Power Saver mode, or after you turn off the unit, a lower temperature reading than the actual room temperature may be displayed for a short period of time. This lower temperature reading is caused by the temperature sensor being located close to the cold evaporator coil. The actual room temperature will display within a few minutes.

Water drips from cabinet into your house

The air conditioner is not properly leveled. The air conditioner should slope slightly downward toward the outside. Level the air conditioner to provide a downward slope to ensure proper drainage. See the Installation Instructions.

NOTE: Do not drill a hole into the bottom of the metal base and condensate pan.

SPECIFICATIONS

SPECIFICATIONS	WAC6115R
COOLING BTU	6000
HEATING BTU	na
EER	9.7
DEHUMIDIFICATION (pints/hr)	1.94
AIRFLOW CFM MAX	159
VOLTAGE/FREQ	115 VAC 60 HZ
COOLING AMPS	7.53
HEATING AMPS	na
COOLING WATTS	760
HEATING WATTS	na
PLUG TYPE	type A
POWER CORD RATING (amps)	15
POWER CORD TYPE	LCDI
POWER CORD LENGTH	4'
MIN. CIRCUIT BREAKER SIZE (A)	15
MIN. CIRCUIT CAPACITY (A)	6.9
REFRIGERANT CHARGE (lbs/oz.)(R22)	0.81/13
SOUND dba (H/M/L)	62/59/57
4 WAY AIR ADJUSTMENT	NO
2 WAY AIR SWING	adjustable
AIR DISCHARGE	top front
MOTOR TYPE	ball bearing
MOTOR CAPACITOR (UF)	5
CONTROLS	Remote
OPERATING RANGE	64 - 86°F
UNIT SIZE (W X D X H) (In.)	18 1/2" X 15" X 13 1/4"
WINDOW OPENING (Width)	25"-38"
THRU WALL MAX THICKNESS	8 3/4"
WEIGHT GROSS/NET (lbs)	62/48
APPROVALS	UL/CUL

SPECIFICATIONS	WAC8115R
COOLING BTU	8000
HEATING BTU	na
EER	9.8
DEHUMIDIFICATION (pints/hr)	3.7
AIRFLOW CFM MAX	188
VOLTAGE/FREQ	115 VAC 60 HZ
COOLING AMPS	9.7
HEATING AMPS	na
COOLING WATTS	970
HEATING WATTS	na
PLUG TYPE	type A
POWER CORD RATING (amps)	15
POWER CORD TYPE	LCDI
POWER CORD LENGTH	4'
MIN. CIRCUIT BREAKER SIZE (A)	15
MIN. CIRCUIT CAPACITY (A)	9.5
REFRIGERANT CHARGE (lbs/oz.)(R22)	1.72/27.5
SOUND dba (H/M/L)	56/52/49
4 WAY AIR ADJUSTMENT	NO
2 WAY AIR SWING	adjustable
AIR DISCHARGE	top front
MOTOR TYPE	ball bearing
MOTOR CAPACITOR (UF)	6
CONTROLS	Remote
OPERATING RANGE	64 - 86°F
UNIT SIZE (W X D X H) (In.)	18 1/2" X 17 3/4" X 13 1/4"
WINDOW OPENING (Width)	25"-38"
THRU WALL MAX THICKNESS	8 3/4"
WEIGHT GROSS/NET (lbs)	73/59
APPROVALS	UL/CUL

WARRANTY

International Refrigeration Products warrants that the product supplied is free from defects in material and workmanship. This warranty is valid as long as this product is properly handled, installed, operated and serviced in accordance with the Installation and Operating Instructions shipped with this unit, and the warranty card is completed and mailed no later than 30 days after date of purchase. All warranty claims must be made within one (1) year (five (5) years for compressor) from date of purchase (unless national regulations require a longer registration period).

This warranty provides free replacement of defective parts only. Labor and replacement parts as a result of normal wear and tear are not covered under this warranty.

Additional claims are excluded, unless required by national regulations. International Refrigeration Products Inc. is not responsible for incidental, consequential, direct, or indirect damages or expenses relating to the use of, or the inability to use the product for any purpose. Other implied warranties are excluded.

This constitutes International Refrigeration Products warranty obligation and replaces any and all prior warranties for this product.

INTERNATIONAL REFRIGERATION PRODUCTS INC.
11325 Nations Ford Rd., Charlotte, NC 28134-8393
(704) 504-8590 Phone (704) 504-3023 Fax

Copyright 2006 IRP Inc.

950-0075