

This Owner's Manual is provided and hosted by [Appliance Factory Parts](#).



# LG VTCP241NPN Owner's Manual

[Shop genuine replacement parts for LG VTCP241NPN](#)



[Find Your LG Vacuum Cleaner Parts - Select From 37 Models](#)

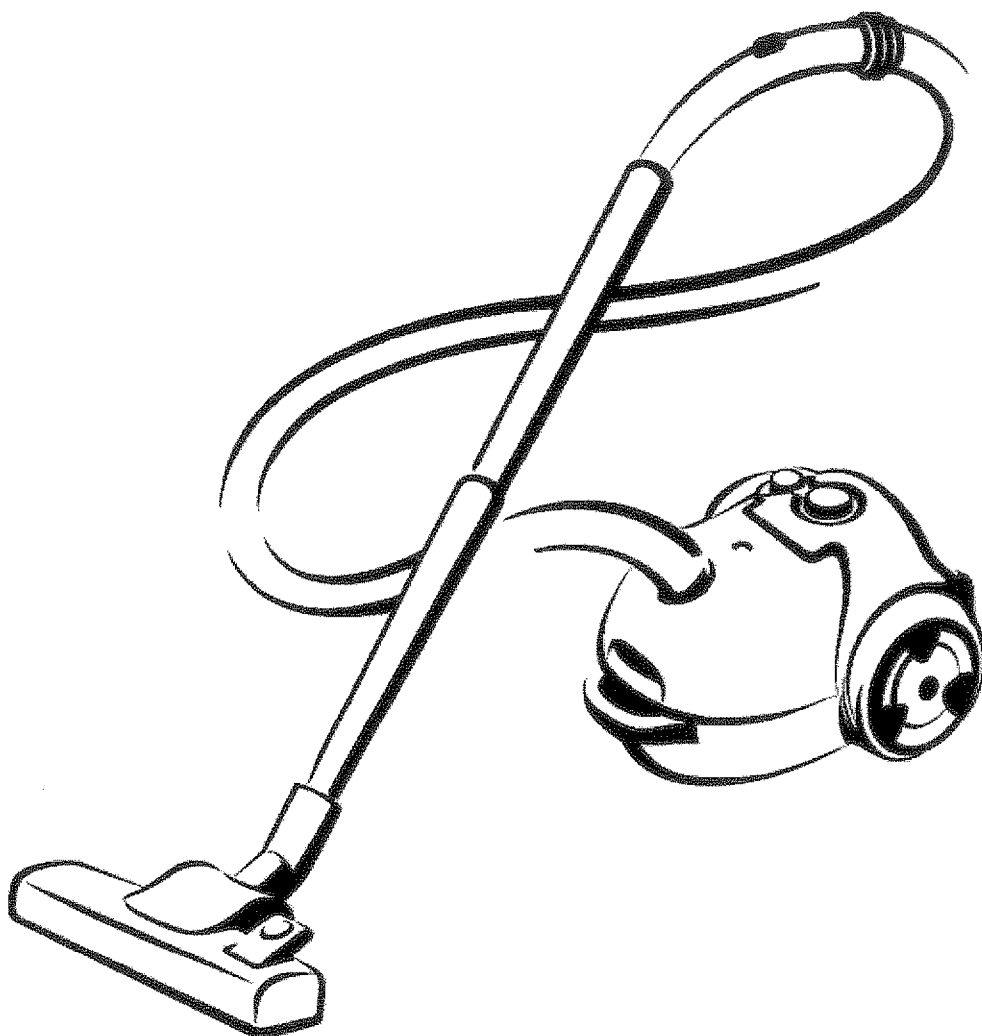
----- Manual continues below -----

*Owner's Manual*  
*Manual del Propietario*



*Canister Vacuum Cleaner*  
*Aspiradora*

Models, Modelos 721.23082/3



ENGLISH

ESPAÑOL

Sears, Roebuck and Co., Hoffman Estates, IL 60179 U.S.A  
[www.sears.com](http://www.sears.com)

PART No. : 3828FI2841Q

Printed in CHINA

## TABLE OF CONTENTS

Before Using Your New Vacuum.....	2	Cleaning Motor Safety Filter .....	10
Kenmore Vacuum Cleaner Warranty .....	2	Cleaning Exterior and Attachments .....	10
Important Safety Instructions .....	3	Storing Your Vacuum .....	10
Parts and Features .....	4	Troubleshooting .....	11
Assembly .....	5	Parts List .....	12~13
Use and Care .....	6	Español .....	14
How Your Vacuum Works .....	6	Service .....	Back Cover
How to Start Your Vacuum.....	6		
Attachments .....	7		
Attachments Use Chart .....	7		
Vacuuming Tips.....	8		
Performance Features.....	8		
Cleaning The Dust Bin and Washable Filter ....	9		

## BEFORE USING YOUR NEW VACUUM

Please read this guide. It will help you assemble and operate your new Kenmore vacuum in the safest and most effective way.

For more information about the care and operation, call your nearest Sears store.

You will need the complete model and serial numbers when requesting information.

Your vacuum's model and serial numbers are located on the Model and Serial Number Plate.

Use the space below to record the model number and serial number of your new Kenmore vacuum.

Model No. \_\_\_\_\_

Serial No. \_\_\_\_\_

Date of Purchase \_\_\_\_\_

Keep this book and your sales check (receipt) in a safe place for future reference.

## KENMORE VACUUM CLEANER WARRANTY

### LIMITED ONE YEAR WARRANTY ON KENMORE VACUUM CLEANER

This warranty is for one year from the date of purchase, and includes only private household vacuum cleaner use. During the warranty year, when this vacuum cleaner is operated and maintained according to the owner's manual instructions, Sears will repair any defects in material or workmanship free of charge.

This warranty excludes vacuum bags, belts, light bulbs, and filters, which are expendable parts and become worn during normal use.

**For warranty service, return this vacuum cleaner to the nearest Sears Service Center in the United States.**

This warranty applies only while this product is in use in the United States.

This warranty gives you specific legal rights, and you may also have other rights which vary from state to state.

Sears, Roebuck and Co., D/817WA, Hoffman Estates, IL 60179

# IMPORTANT SAFETY INSTRUCTIONS



## WARNING - To reduce the risk of fire, electric shock, or injury:

Your safety is important to us. To reduce the risk of fire, electrical shock, injury to persons or damage when using your vacuum cleaner, follow basic safety precautions including the following:

Read this manual before assembling or using your vacuum cleaner.

Use your cleaner only as described in this manual. Use only with supplied attachments.

To reduce the risk of electrical shock - **Do not** use outdoors or on wet surfaces.

**Disconnect** electrical supply before servicing or cleaning out brush area. Failure to do so could result in electrical shock or brush suddenly starting.

**Always** turn cleaner off before connecting or disconnecting the hose.

**Always** turn cleaner off before unplugging.

**Do not** unplug by pulling on cord. To unplug, grasp the plug, not the cord.

Hold plug when rewinding onto cord reel.

**Do not** allow plug to whip when rewinding.

**Do not** use with damaged cord or plug. If cleaner is not working as it should, has been dropped, damaged, left outdoors, or dropped into water, return it to a service center.

**Do not** pull or carry by cord, use cord as a handle, close door on cord, or pull cord around sharp edges or corners. Do not run cleaner over cord. Keep cord away from heated surfaces.

**Do not** leave cleaner when plugged in. Unplug from outlet when not in use and before servicing.

**Do not** allow to be used as a toy. Close attention is necessary when used by or near children.

**Do not** handle plug or cleaner with wet hands.

**Do not** operate the cleaner with a punctured hose. Replace if cut or worn. Avoid vacuuming sharp objects.

**Do not** use with any opening blocked; keep free of dust, lint, hair and anything that may reduce air flow.

**Keep** hair, loose clothing, fingers, and all parts of body away from openings and moving parts. **Do not** use cleaner without dust bag and/or filters in place.

**Always** change the dust bag after vacuuming carpet cleaners or freshener, powders and fine dust. These products clog the bag, reduce airflow and can cause the bag to burst. Failure to change bag could cause permanent damage to the cleaner.

**Do not** use the cleaner to pick up sharp hard objects, small toys, pins, paper, etc. They may damage the cleaner or dust bag.

**Do not** pick up anything that is burning or smoking, such as cigarettes, matches, or hot ashes.

**Do not** use vacuum cleaner to pick up flammable or combustible liquids (gasoline, cleaning fluids, perfumes, etc.), or use in areas where they may be present. The fumes from these substances can create a fire hazard or explosion.

**Use extra care** when cleaning on stairs. Do not put on chairs, tables, etc. Keep on floor.

**You** are responsible for making sure that your vacuum cleaner is not used by anyone unable to operate it properly.

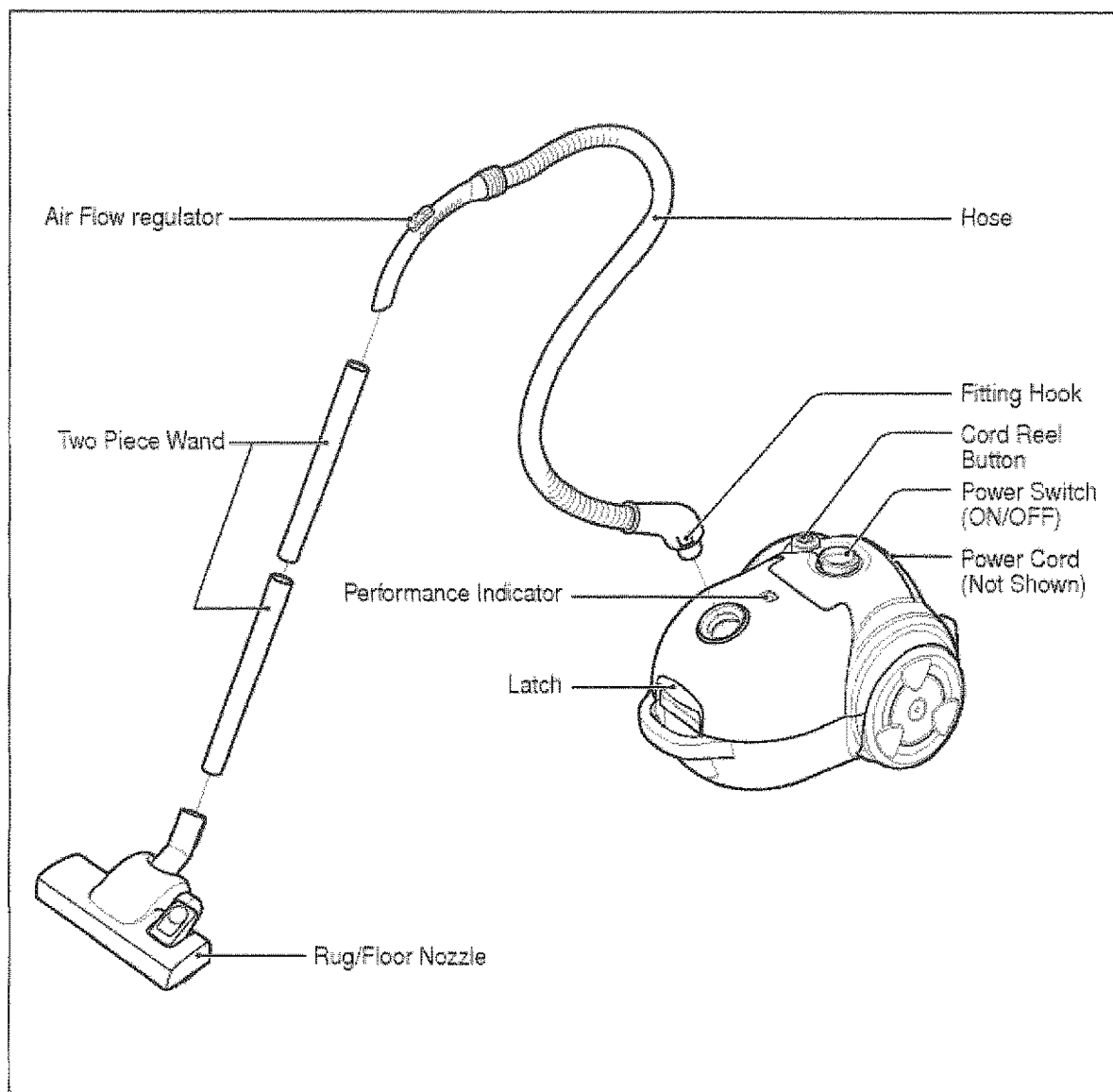
ENGLISH

## SAVE THESE INSTRUCTIONS

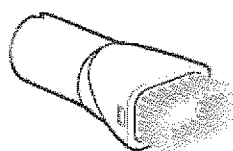
Proper assembly and safe use of your vacuum cleaner are your responsibilities. Your cleaner is intended only for household use. Read this Owner's Manual carefully for important use and safety information. This guide contains safety statements under warning and caution symbols. Please pay special attention to these boxes and follow any instructions given. **WARNING** statements alert you to such hazards as fire, electrical shock, burns and serious personal injury. **CAUTION** statements alert you to such hazards as moderate personal injury and/or property damage.

## PARTS AND FEATURES

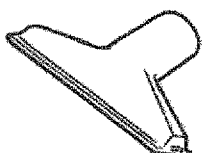
It is important to know your vacuum cleaner's parts and features to assure its proper and safe use. Review these before using your cleaner.



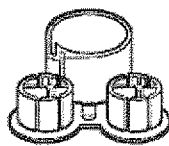
## ATTACHMENTS



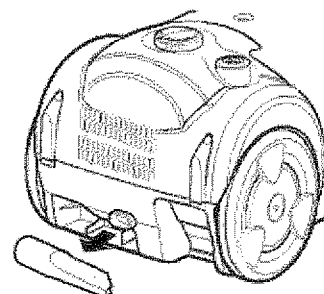
Dusting Brush



Upholstery Nozzle



Accessory Holder



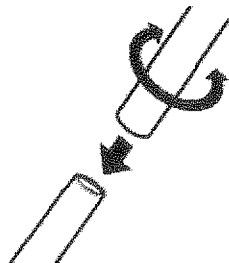
Crevice Tool

# ASSEMBLY

Before assembling your vacuum cleaner, be sure you have all the parts shown in PARTS AND FEATURES.

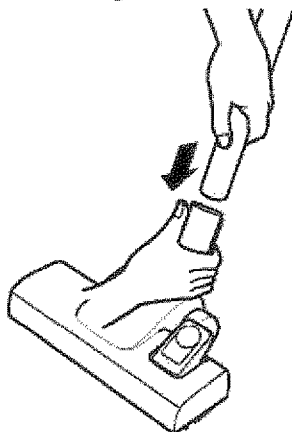
## TWO PIECE WAND

Fit together the two wands by twisting slightly.



## RUG/FLOOR NOZZLE

1. Insert wand into rug/floor nozzle.



2. Push floor selector switch back for bare floor and forward for carpet. Brushes should be down for bare floor and up for carpet.



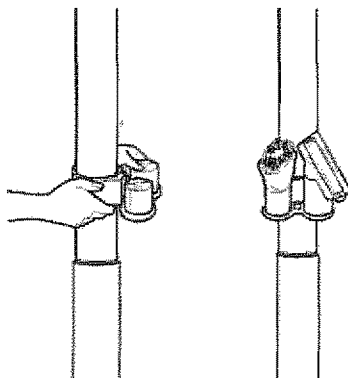
Bare Floor



Carpet

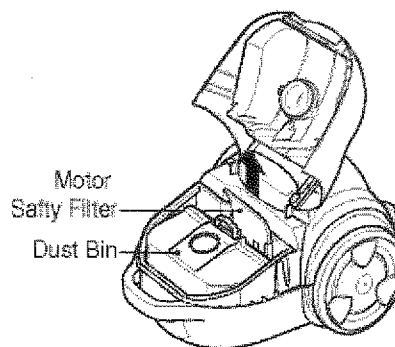
## ATTACHMENTS

Clamp Accessory Holder around upper Wand as shown.

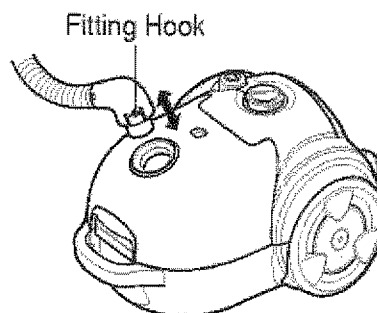


## CANISTER

1. Open the canister hood.
2. Check to see that the dust bin is properly installed. See CLEANING THE DUST BIN AND WASHABLE FILTER for instructions.
3. Check to see that the motor safety filter is properly installed. See CLEANING MOTOR SAFETY FILTER for instructions.

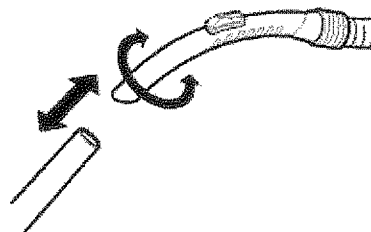


## HOSE



1. Insert hose into canister until it snaps into place.  
**To remove hose :** Press hose fitting hook and pull upwards.

2. Insert wand into handle by twisting slightly.



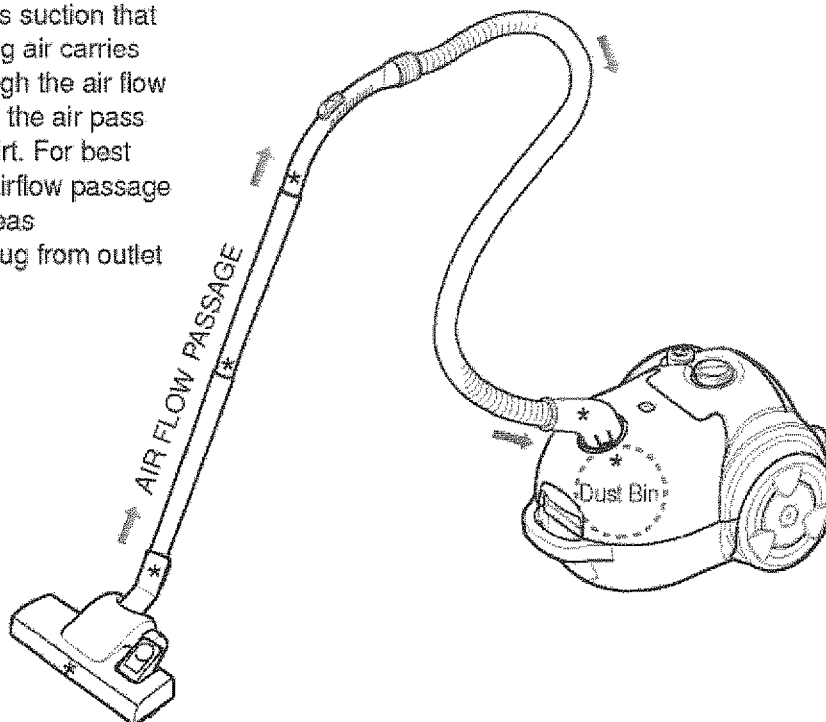
- To remove handle :** Pull up on handle by twisting slightly.

ENGLISH

# USE AND CARE

## HOW YOUR VACUUM WORKS

The vacuum cleaner creates suction that picks up dirt. Rapidly moving air carries the dirt to the dust bin through the air flow passages. The dust bin lets the air pass through, while it traps the dirt. For best cleaning results, keep the airflow passage open. Check the starred areas occasionally for clogs. Unplug from outlet before checking.



## HOW TO START YOUR VACUUM

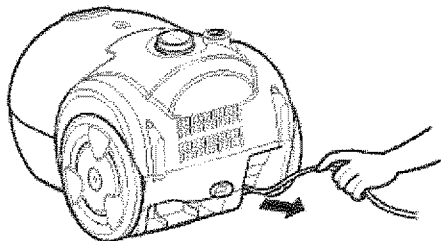


### WARNING

**Personal Injury and Product Damage Hazard!**

- DO NOT plug in if switch is in ON position. Personal injury or product damage could result.
- The cord moves rapidly when rewinding. Keep children away and provide a clear path when rewinding the cord to prevent personal injury.
- DO NOT use outlets above counters. Damage to items in surrounding area could occur.

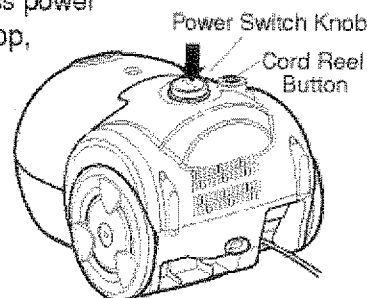
1. Pull out the power cord to the desired length. When you unwind the cord, you will see a yellow and a red mark. The red mark is at the very end of the cord, the yellow mark is 28 inches from the cord end.



**NOTE:** To reduce the risk of electric shock, this vacuum cleaner has a polarized plug; one blade is wider than the other. This plug will fit in a polarized outlet only one way. If the plug does not fit fully in the outlet, reverse the plug. If it still does not fit, contact a qualified electrician to install the proper outlet. Do not change the plug in any way.

2. Plug the polarized power cord into a 120 Volt outlet located near the floor.  
**To rewind:** Unplug the cleaner. Hold the plug while rewinding to prevent damage or injury from the moving cord. Press on the cord reel button to rewind the cord.

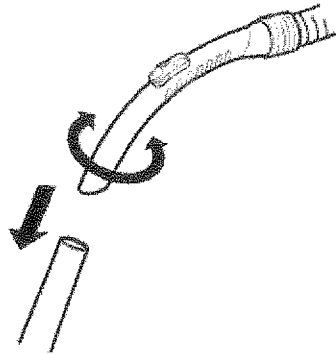
3. To start, press power switch. To stop, press power switch again.



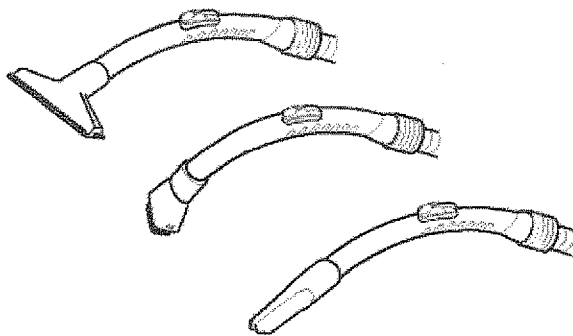
# ATTACHMENTS

## ATTACHMENTS ON HANDLE

1. Remove wand from handle by twisting slightly.

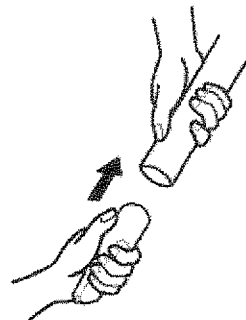
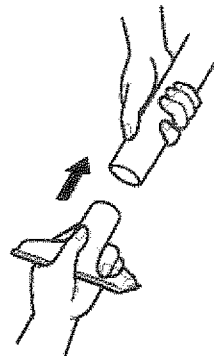
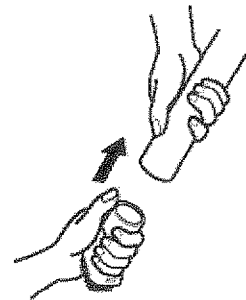


2. Push new attachment tool onto handle.







## ATTACHMENTS ON WANDS

Put on attachments as needed.  
See chart below.



ENGLISH

## ATTACHMENT USE CHART

ATTACHMENT	CLEANING AREA						
	Furniture*	Between Cushions*	Drapes*	Stairs	Bare Floors	Carpeted Floors/Rugs	Walls
DUSTING BRUSH 	X	X	X				
UPHOLSTERY NOZZLE 	X		X				
CREVICE TOOL 	X	X					
RUG/FLOOR NOZZLE 				X	X	X	X

\* Always clean attachments before using on fabrics.

## VACUUMING TIPS

### Suggested sweeping pattern

For best cleaning action, the rug/floor nozzle should be pushed straight away from you and pulled straight back.

This pattern should be continued across the rug with slow, gliding motions.

**NOTE:** Fast, jerky strokes do not provide complete cleaning.

**Carpeted stairs** need to be vacuumed regularly.

**For best cleaning results**, keep the airflow passage open. Check occasionally for clogs. See HOW YOUR VACUUM WORKS section.

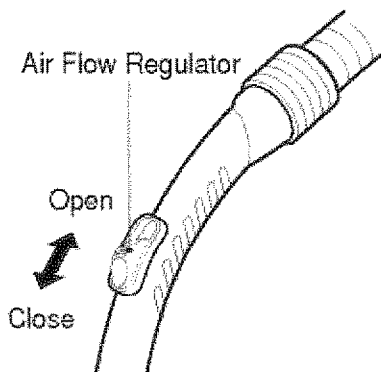
**Unplug from outlet before checking.**

## PERFORMANCE FEATURES

### SUCTION CONTROL

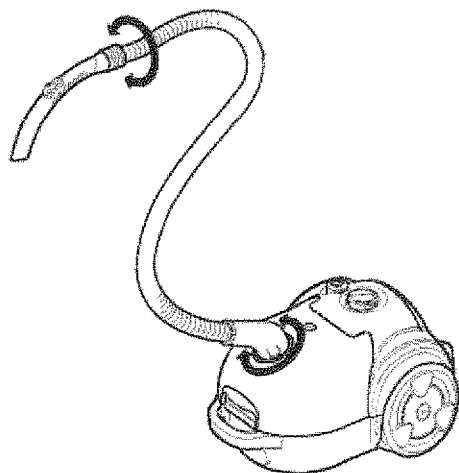
The handle air flow regulator allows you to change the vacuum suction for different fabric and carpet weights.

Adjust the suction power with Air Flow Regulator in the handle.



### HOSE SWIVEL

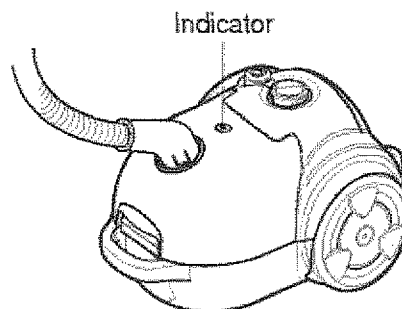
The hose swivel prevents the hose from twisting. This is helpful for cleaning in small areas.



### PERFORMANCE INDICATOR

When the unit is running, the indicator will be green if there are no clogs.

When the indicator turns completely red, check if the dust bin is full or if other areas are clogged. See HOW YOUR VACUUM WORKS.

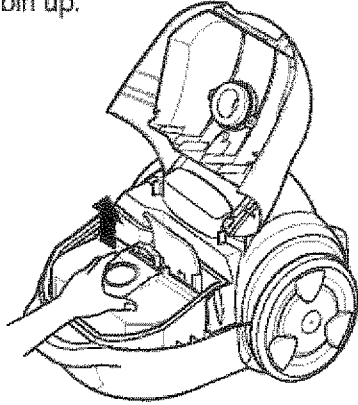


**NOTE:** Indicator may turn red when using attachments or when cleaning new carpet. This is due to reduced airflow caused by the vacuum seal between attachment and surface, or new carpet fuzz filling the dust bin quickly. Restore airflow by raising attachment slightly from surface you are cleaning, or empty dust bin if it is full.

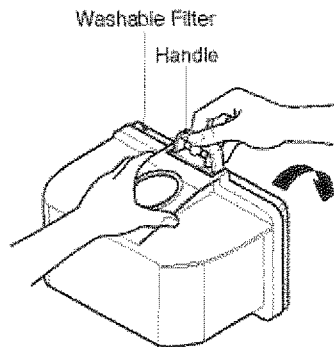
## CLEANING THE DUST BIN AND WASHABLE FILTER

For best cleaning results, the dust bin should be cleaned often.

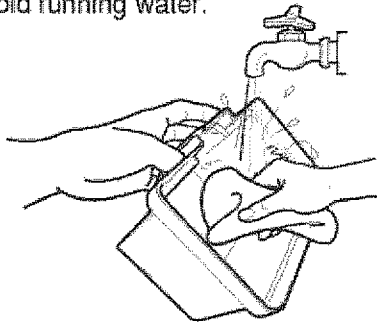
1. Unplug cord from wall outlet.
2. Pull lid release out and up, then lift canister hood.
3. Pull the dust bin up.



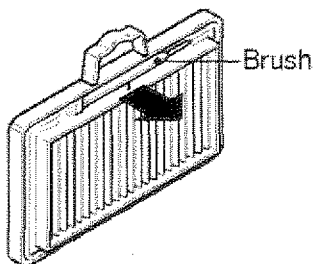
4. Hold the handle of the washable filter and pull it out of the dust bin.



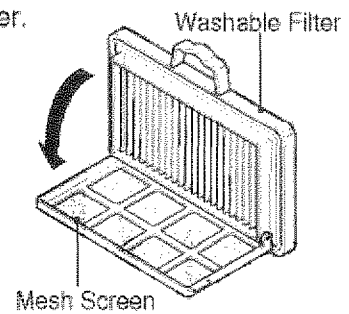
5. Wash the dust bin with sponge or soft cloth under cold running water.



6. Brush is for cleaning the washable filter. It is on the back of the washable filter.

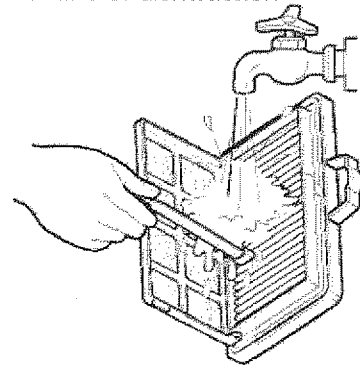


7. Pull the mesh screen down from the washable filter.



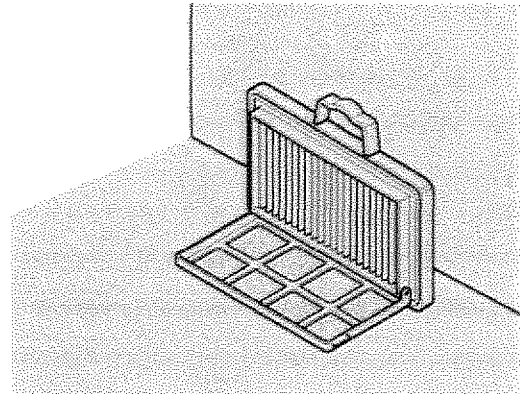
8. Clean the washable filter and the mesh screen with the brush under cold running water.

Do not use detergent or wash filter in washing machine or dishwasher.



9. Allow the washable filter to dry in shaded location for a day.

Do not tumble or spin dry, nor microwave or place in oven or in path of direct heat. Ensure the filter is completely dry before placing it back into the vacuum.



ENGLISH

## CLEANING MOTOR SAFETY FILTER



### WARNING

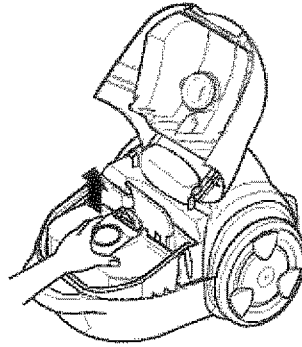
#### Electrical Shock Hazard

Do not operate the cleaner without the motor safety filter. Be sure the filter is dry and properly installed to prevent motor failure and/or electrical shock.

Check motor safety filter occasionally and clean when dirty.

1. Unplug cord from wall outlet and remove bag.

2. Pull out motor safety filter as shown.



3. Wash filter in warm soapy water, rinse, then dry. Do not clean in dishwasher or install while damp.
4. Insert filter back into canister.
5. Place the dust bin.

## CLEANING EXTERIOR AND ATTACHMENTS

1. Unplug cord from wall outlet. DO NOT drip water on cleaner.
2. Clean vacuum exterior using a clean, soft cloth that has been dipped in clean water, then wrung out. Wipe dry after cleaning.

**NOTE:** Regular cleaning helps to reduce static electricity and dust buildup on outer surfaces of cleaner and attachments.



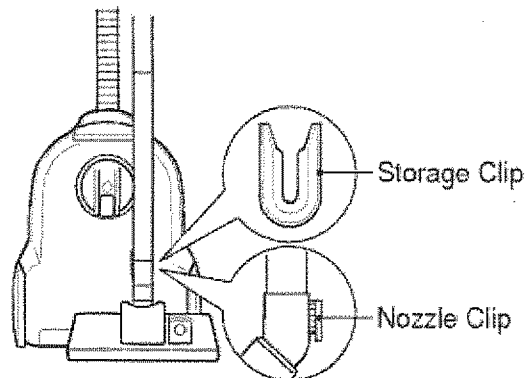
### CAUTION

DO NOT use attachments if they are wet. Damage to motor may occur.

Attachments used in dirty areas, such as under a refrigerator, should not be used on other surfaces until they are washed since they could leave marks.

## STORING YOUR VACUUM

When not in use, store the cleaner in upright position by inserting nozzle clip into storage clip in canister body as shown.



## TROUBLESHOOTING

Review this chart to find do-it-yourself solutions for minor performance problems. Any other service needed should be performed by a Sears or other qualified service representative.



### WARNING

Electrical Shock Hazard

Disconnect electrical supply before servicing or cleaning the unit.  
Failure to do so could result in electrical shock or personal injury.

PROBLEM	POSSIBLE CAUSE	POSSIBLE SOLUTION
Cleaner won't start.	<ol style="list-style-type: none"> <li>1. Unplugged at wall outlet.</li> <li>2. Tripped circuit breaker/blown fuse at household service panel.</li> </ol>	<ol style="list-style-type: none"> <li>1. Plug in firmly, press the power switch.</li> <li>2. Reset circuit breaker or replace fuse.</li> </ol>
Poor job of dirt pick-up.	<ol style="list-style-type: none"> <li>1. Clogged airflow passages.</li> <li>2. Dirty filter.</li> <li>3. Hole in hose.</li> <li>4. Canister hood open.</li> <li>5. Full dust bin.</li> </ol>	<ol style="list-style-type: none"> <li>1. Clear airflow passages (page 6).</li> <li>2. Clean filter (page 9).</li> <li>3. Replace hose.</li> <li>4. Close and latch hood.</li> <li>5. Empty dust bin.</li> </ol>
Cleaner starts but cuts off.	<ol style="list-style-type: none"> <li>1. Hood electrical connections.</li> <li>2. Tripped overload protector in canister.</li> </ol>	<ol style="list-style-type: none"> <li>1. Check connections (page 6).</li> <li>2. Clean dust bin, clear airflow blockage (page 6, 9). Unplug cord from Wall outlet and wait 20~25 minutes for motor to cool and automatically reset.</li> </ol>
Performance indicator, some models, is red.	<ol style="list-style-type: none"> <li>1. Dirty filter.</li> <li>2. Clogged airflow passage.</li> <li>3. Full dust bin.</li> </ol>	<ol style="list-style-type: none"> <li>1. Clean filter (page 9).</li> <li>2. Clear blockage from airflow passage (page 6).</li> <li>3. Empty dust bin.</li> </ol>
Cleaner picks up movable rugs, or nozzle pushes too hard.	<ol style="list-style-type: none"> <li>1. Suction too strong.</li> </ol>	<ol style="list-style-type: none"> <li>1. Adjust Air Flow Regulator (page 8).</li> </ol>
Power cord won't rewind.	<ol style="list-style-type: none"> <li>1. Dirty power cord.</li> <li>2. Power cord jammed.</li> </ol>	<ol style="list-style-type: none"> <li>1. Clean the power cord.</li> <li>2. Pull out Power cord and rewind.</li> </ol>

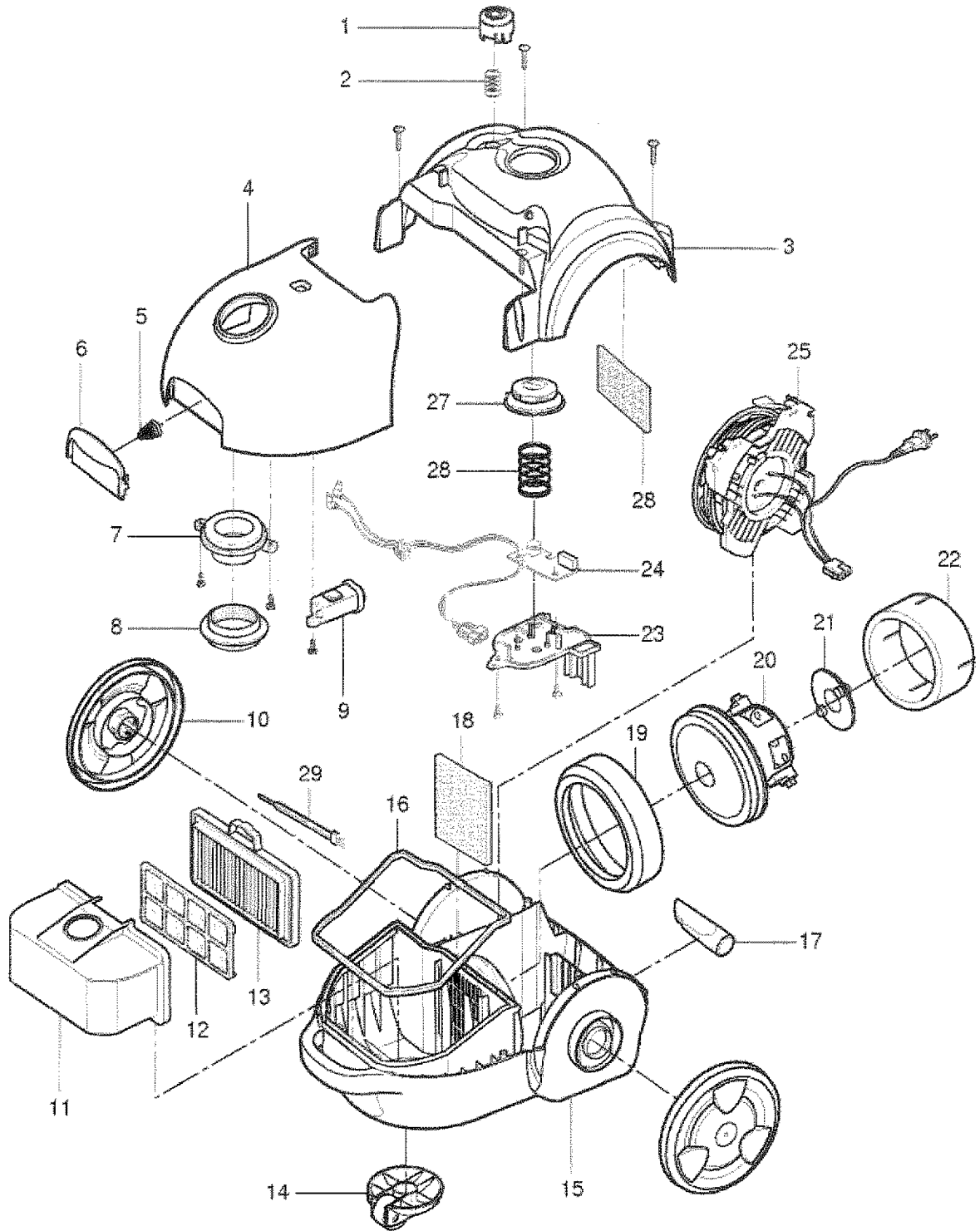
ENGLISH

# PARTS LIST

## VACUUM CLEANER PARTS

For Model: 721.23082300

721.23083300



# PARTS LIST

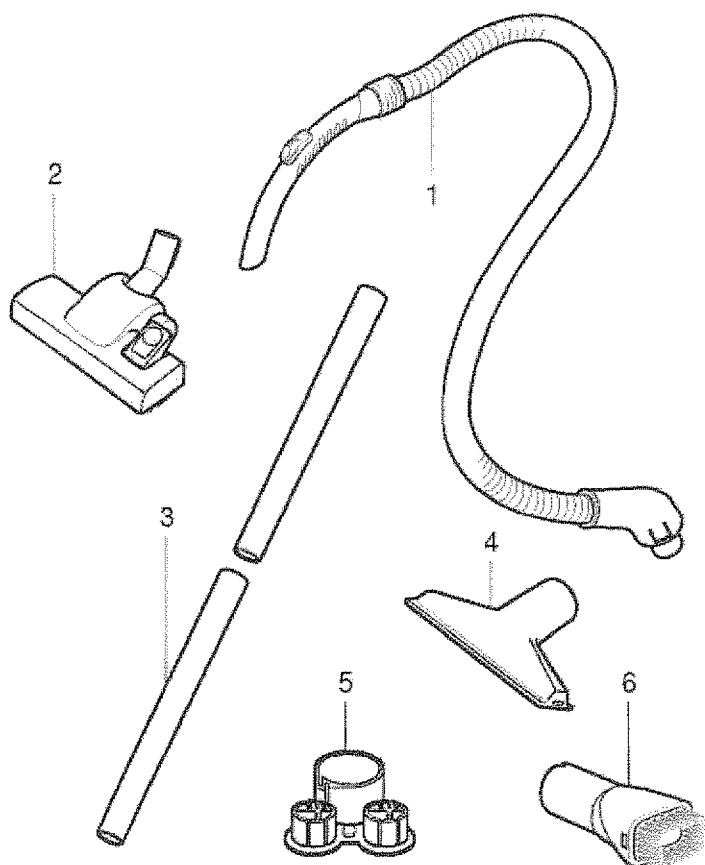
## VACUUM CLEANER PARTS

For Model: 721.23082300  
721.23083300

Illust. No.	Part No.	DESCRIPTION	Illust. No.	Part No.	DESCRIPTION	Illust. No.	Part No.	DESCRIPTION
1	5020FI3781D	Cord Reel Button	17	3121007N	Crevice Tool	<b>Following Parts Not Illustrated</b>		
2	4170024A	Button Spring	18	4170098K	Motor Safety Filter			
3	3550FI1608D	Body Cover	19	3920FI3600A	Motor Mounting Packing		3828FI2841Q	Manual, Owner's
4	3550FI1607J	Filter Cover	20	4681FI2373G	Motor			
5	4970FI4230B	Latch Spring	21	3920FI3763B	Seal Packing			
6	4026FI3675J	Latch	22	4123008B	Absorbing Packing			
7	4350FI3776J	Connector Ring	23	4980FI2428A	Board			
8	3920FI3734A	Filter Packing	24	6871FX2153D	PWB Ass'y			
9	3521FI3703F	Indicator Ass'y	25	4687FI1477M	Cord Reel Ass'y for 721.23082300			
10	4660FI2412D	Wheel	25	4687FI1477L	Cord Reel Ass'y for 721.23083300			
11	4838FI1403A	Dust Bin	26	4970FI3206A	Coil Spring			
12	5231FI4710A	Mesh Screen	27	5020FI3783F	Control Button			
13	5231FI4711A	Washable Filter	28	5230FI3767A	Exhaust Filter			
14	4441FI3605C	Caster Ass'y	29	5203FI3744A	Brush			
15	3040FI1496D	Body Base						
16	3920FI4716P	Dust Seal Packing						

ENGLISH

## HOSE AND ATTACHMENTS PARTS



Illust. No.	Part No.	DESCRIPTION
1	5215FI1306Q	Hose Ass'y
2	5249FI1405J	Rug/Floor Nozzle
3	5063FI2349A	Two Piece Wand
4	5248FI2259A	Upholstery Nozzle
5	4930FI2456A	Accessory Holder
6	5202FI3474A	Dusting Brush