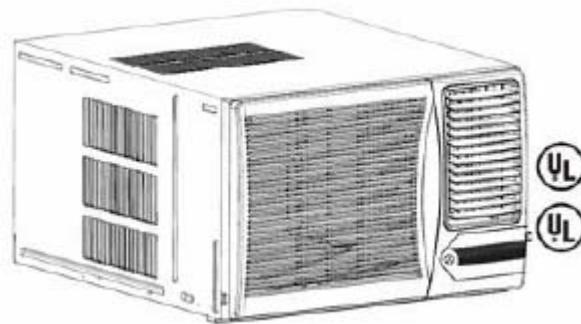




WINDOW AIR CONDITIONER INSTALLATION AND OPERATION



CATALOG NO.	PRODUCT CODE
WAH18230M	420-0025

TABLE OF CONTENTS

AIR CONDITIONER SAFETY.....	2
NORMAL CARE AND MAINTENANCE.....	3
INSTALLATION REQUIREMENTS.....	5
INSTALLATION INSTRUCTIONS.....	6
THRU-WALL INSTALLATION INSTRUCTIONS.....	10
GENERAL OPERATING INSTRUCTIONS.....	12
OPERATING CONTROLS.....	13
TROUBLESHOOTING.....	14
SPECIFICATIONS.....	15
WARRANTY.....	16

TECHNICAL SUPPORT

**IF YOU NEED TECHNICAL SUPPORT, PLEASE CALL 1 (704) 504-8590 BETWEEN 8:00 AM TO 4:00 P.M.
WHEN CALLING FOR TECHNICAL SUPPORT, PLEASE HAVE COMPLETE MODEL AND SERIAL
NUMBER AVAILABLE.**

AIR CONDITIONER SAFETY

Your safety and the safety of others is very important.

We have provided many important safety messages in this manual and on your appliance.
Always read and follow all safety instructions.



This is the safety alert symbol.
This symbol alerts you to potential hazards that can kill or hurt you and others.
All safety messages will follow the safety alert symbol and the word "DANGER" or
"WARNING".

These words mean











You can be seriously injured if instructions are not followed.



Bodily injury or damage to personal property may occur if instructions are not followed.

All safety messages will tell you what the potential hazard is, tell you how to reduce the chance of injury, and tell you what can happen if the instructions are not followed.

Unit Plug Type	Receptacle Required	Circuit Rating, Breaker, Time Delay Fuse	Voltage Rating On Nameplate
		125V-15AMP	115V
		250V-15AMP	230/208V rated at 12 amperes or less
		250V-20AMP	230/208V rated over 12 amperes, but not more than 16 amperes
		250V-30AMP	208V rated over 16 amperes, but not more than 24 amperes

Electrical Requirements

Grounding Instructions

This appliance is equipped with a three-prong grounding plug for protection against possible shock hazards. If a two-prong wall receptacle is encountered, the customer is required to contact a qualified electrician and have the two-prong receptacle replaced with a properly grounded three-prong wall receptacle in accordance with the National Electrical Code.

Room air conditioners are designed to operate according to requirements on the nameplate and as shown in Table 1. Do not plug models marked "Use on Single Outlet Circuit Only" into a circuit with another appliance or light fixture.

Receptacle Wiring

Receptacle wiring must be of adequate size for the unit. Refer to the unit identification plate for exact power requirements. Minimum size of wiring, based on power requirements, is:

Units up to 20 amps: 12 Gauge

20-30 amp units: 10 Gauge

LCFI or AFCI Power Cords

Underwriters Laboratories (UL) and the National electric Code (NEC) now require power cords that sense current leakage and can open the electrical circuit to the unit. In the event the unit does not operate, check the reset button located on or near the head of the power cord as part of the normal troubleshooting procedure.

Use copper wire only. The consumer's responsibility is to provide proper and adequate receptacle wiring that conforms to all applicable codes. All wiring should be installed by a qualified electrician.

Installation

Complete step-by-step installation instructions are furnished with your unit. These instructions will be found on a separate page included with this manual or in the mounting kit assembly. Follow these instructions carefully. Keep these instructions with this manual for future reference. Your unit will be one of the following designs:

- Unit with a window mounting kit.

These models are designed for mounting through an opening in a wall. These units can be adapted to window installation by using the optional window mounting kit supplied with your unit.

- Unit without a window mounting kit.

No window mounting kit is supplied with the unit. These models are designed for mounting through an opening in a wall. These units can be adapted to window installation by purchasing an optional window mounting kit. Consult your dealer to choose the kit that is appropriate for your model and installation.

Room Air Conditioner/Heating Units

Heat model is by electric heating elements. See the specification sheet for electrical data information.

Normal Care and Maintenance



WARNING

To avoid property damage, personal injury or death due to electrical shock, turn fan control **OFF** and remove plug from wall outlet before inspecting unit or performing maintenance.

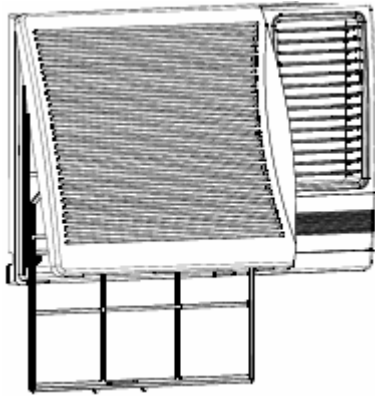
Annual Inspection

It is suggested that your unit be inspected by your dealer or qualified technician once a year. It is advisable to have the outer case removed and the unit thoroughly cleaned.

NOTE: The life of your unit may be greatly reduced if you live in a salt air or other corrosive type environment. Under these conditions, the unit should be removed from its case and completely cleaned at least once a year. At that time any scratches or blisters on the painted surfaces should be sanded and repainted. Placing an algacide tablet in the outdoor side of the unit's base is suggested in humid areas where algae formation is common.

Front Grill and filter removal

The front contains a removable grill that provides easy access to the air filter. To clean the filter, grasp the filter handle and slide the filter out of the unit.



Front Grill and Cabinet Cleaning

Grill and cabinet may be cleaned with warm water and mild soap or detergent. Cleaning and polishing compounds are not recommended as they may damage plastic surfaces.

Air Filter Cleaning

A dirty air filter reduces operating efficiency of the unit. The filter should be inspected at least once every week during operation. Clean the filter with a vacuum cleaner, or wash in warm water and mild detergent. The filter should be thoroughly dried before replacing in the unit. Do not operate the unit without the filter in place.

Fan Motor Care

The fan motor is permanently lubricated for long life. There is no need to oil the motor.

Slide-out Chassis Removal from Outer Case

See Figure H.



CAUTION

To reduce the risk of personal injury be sure to have sufficient help when moving your unit. A room air conditioner can weigh between 70 and 240 pounds.

1. Remove two side Phillips screws attaching front to case
2. Remove inlet panel by pulling and lifting out bottom. Reinstall air filter and grill by reversing removal procedure.
3. Remove Phillips screws on bottom right of inlet panel area and remove front panel.

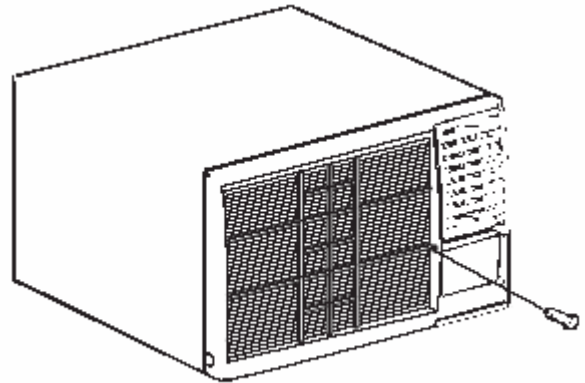
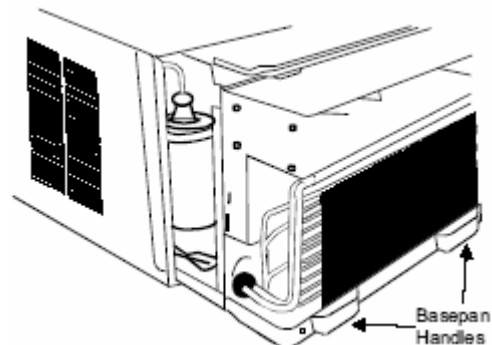


Figure H

4. If the unit has a screw holding the base pan clip to the chassis, remove the screw.
5. Using base pan handle, pull the chassis straight out, slowly and evenly, until approximately 9 1/2 inches extends from the outer case. Use both hands to grasp the base pan and pull the remaining chassis from the outer case.



NOTE: Base pan clip is shipped in a plastic bag with mounting screw and condensate drain cup. Install the clip after reinserting the chassis into the outer case to prevent accidental chassis removal.

IMPORTANT SAFETY INSTRUCTIONS

WARNING: To reduce the risk of fire, electrical shock, or injury when using your air conditioner: follow these basic precautions:

- Plug into a grounded 3 prong outlet.
- Do not remove ground prong.
- Do not use an adapter.
- Do not use an extension cord.
- Unplug air conditioner before servicing.
- Use two or more people to move and install this air conditioner.

SAVE THESE INSTRUCTIONS

INSTALLATION REQUIREMENTS

BEFORE YOU BEGIN

Read these instructions completely and carefully. **IMPORTANT** – Save these instructions for local inspector’s use.

IMPORTANT – Observe all governing codes and ordinances.

Note to Installer – Be sure to leave these instructions with the Consumer.

Note to Consumer – Keep these instructions for future reference.

Skill level – Installation of this appliance require basic mechanical skills.


Completion time – Approximately 1 hour.

We recommend that two people install this product.

Proper installation is the responsibility of the installer.

Product failure due to improper installation is not covered under the Warranty.

⚠ WARNING



Electrical Shock Hazard

Plug into a grounded 3 prong outlet.

Do not remove ground prong.

Do not use an adapter.

Do not use an extension cord.

Failure to follow these instructions can result in death, fire, or electrical shock.


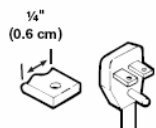
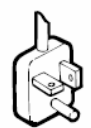
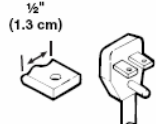
ELECTRICAL REQUIREMENTS

Ground wire must be connected to ground screw located in lower right corner of air conditioner when air conditioner is in cabinet.

The electrical ratings for your air conditioner are listed on the model and serial number label. The

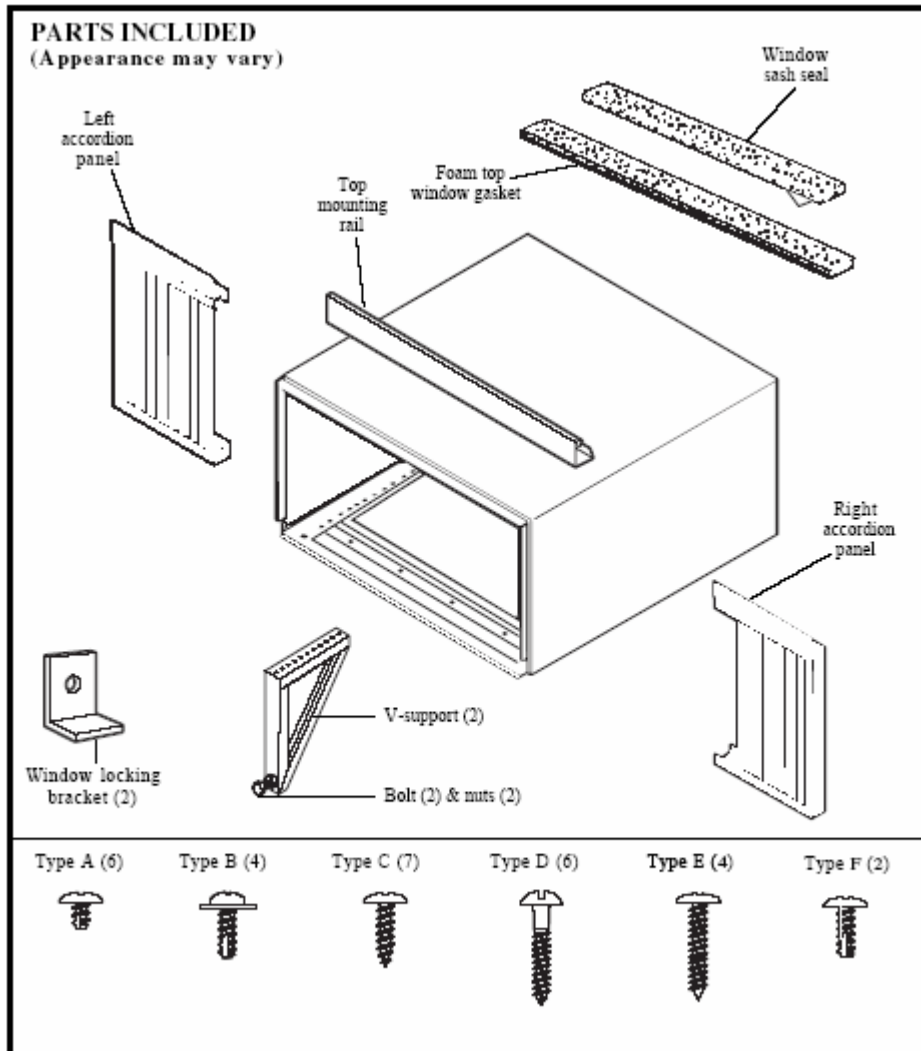
model and serial number is located on the side panel of the unit.

Specific electrical requirements are listed in the chart below. Follow the requirements for the type of plug on the power supply cord.

Power Cord	Wiring Requirement
	<ul style="list-style-type: none"> ■ 115-volt (103.5 min. - 126.5 max.) ■ 0-12 amps ■ 15-amp time-delay fuse or circuit breaker ■ Use on single outlet circuit only.
	<ul style="list-style-type: none"> ■ 230-volt (207 min. - 253 max.) ■ 0-12 amps ■ 15-amp time-delay fuse or circuit breaker ■ Use on single outlet circuit only.
	<ul style="list-style-type: none"> ■ 230-volt (207 min. - 253 max.) ■ 0-16 amps ■ 20-amp time-delay fuse or circuit breaker ■ Use on single outlet circuit only.
	<ul style="list-style-type: none"> ■ 230-volt (207 min. - 253 max.) ■ 0-24 amps ■ 30-amp time-delay fuse or circuit breaker ■ Use on single outlet circuit only.

NOTE: The power cord includes a current interrupter device. A test and reset button is provided on the plug case. The device should be tested on a periodic basis by first pressing the TEST button and then the RESET button. If the TEST button does not trip, or if the RESET button will not stay engaged, discontinue use of the air conditioner and contact a qualified service technician.

INSTALLATION INSTRUCTIONS



Tools you will need:

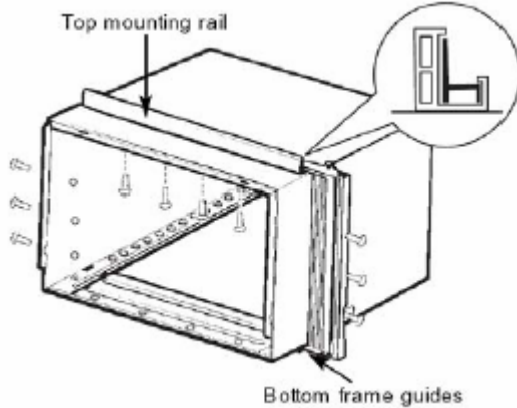
- Adjustable Wrench
- Phillips Head Screwdriver
- Flat Blade Screwdriver
- Pencil
- Ruler or tape measure
- Level
- Scissors or knife



PREPARE THE CASE

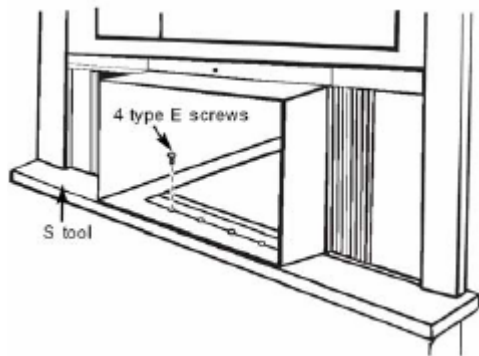
Install the top mounting rail with 4 type B screws from inside the case.
Insert the frames for the accordion panels into the top mounting rail and the bottom frame guides.
Attach the accordion panels to the side of the case using 3 type A screws on each side.

NOTE: When attaching the accordion panels, make sure to only screw the inner panels to the case sides.

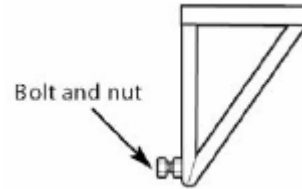


INSTALL THE CASE IN THE WINDOW

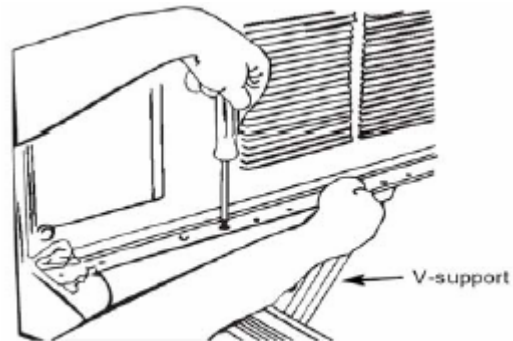
Carefully slide the case into the window and center the case. Lower the window behind the top mounting rail. Pull the bottom of the case forward so that the bottom mounting rail is tight against the back of the window stool. Mount the case to the window sill using 4 type E screws. Drill pilot holes if necessary.



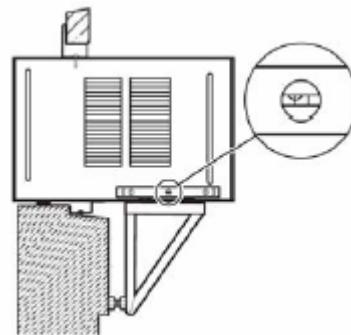
Make sure the bolts and nuts are all of the way in on both the left and right V-Supports.



Position the V-supports on the case bottom so that they will be near the outside wall. Attach a V-support to each side of the bottom of the case using 3 type C screws on each side.

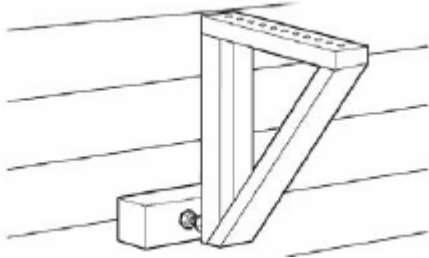


Adjust the leveling bolts and nuts against the outside wall so that the case has a slight tilt to the outside. Tighten nuts with an adjustable wrench. Use a level; about a 1/2 bubble will be the correct case slant to the outside.



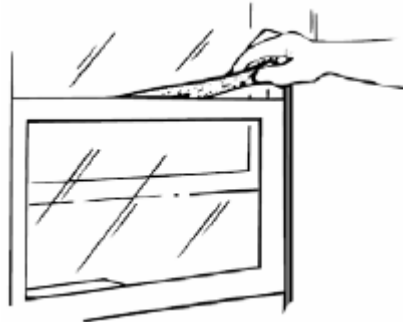
INSTALL THE CASE IN THE WINDOW (CONT.)

Use a wood block (obtained locally) between the leveling bolts and the wall if the wall is weak or if the weight of the air conditioner falls between the studs in the wall.

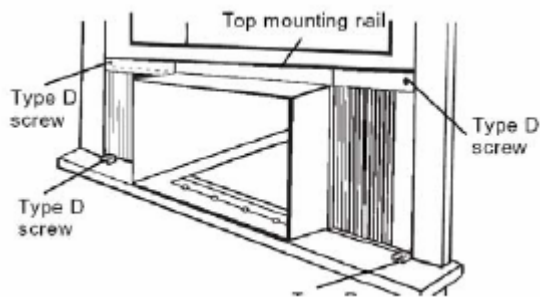


Cut the foam top window gasket to the window width.

Stuff the foam between the glass and the window to prevent air and insects from getting into the room.

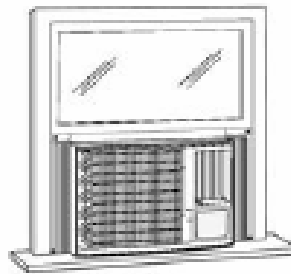


Extend the left and right accordion panels to the vertical window sashes. Drill pilot holes and attach the top and bottom corners with 4 type D screws.



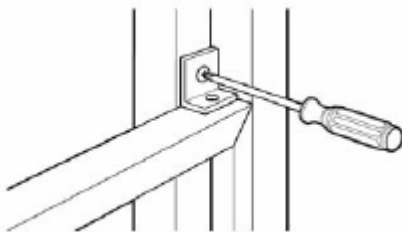
INSTALL THE AIR CONDITIONER IN THE CASE

Slide the air conditioner into the case. Do not push on the controls or the finned coils. Make sure the air conditioner is firmly seated.



INSTALL SUPPORT BRACKETS AND THE FOAM TOP WINDOW GASKET

Attach the support brackets with two type E screws, one on each side.

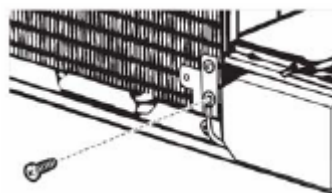


Reinstall the locking bracket and screw removed earlier.



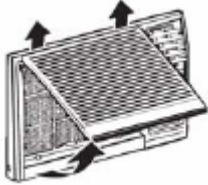
Reconnect the ground wire to the air conditioner using the screw removed earlier.

IMPORTANT: The ground wire must be reinstalled to ensure a proper ground.



INSTALL THE AIR CONDITIONER IN THE CASE (CONT.)

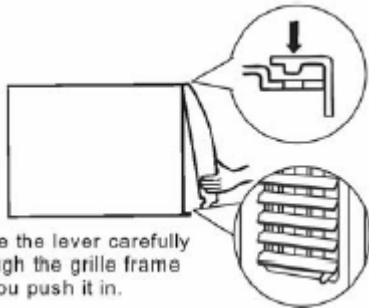
Remove the front grill from its box and remove the shipping tape.
Grasp the inlet grill at the bottom corners and pull it forward. Unhook it from its top hinges and set aside.



Using the tab, pull slightly on the filter to release it and pull it down and out.

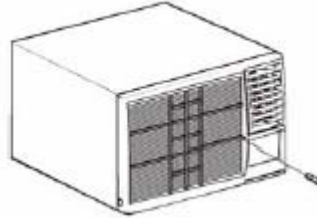


Pull the coiled power cord from its shipped position in the air discharge area. Attach the front grill frame to the case by inserting the tabs on the grill frame into the slots on the top front of the case. Push the grill frame in, and install the 2 side screws at bottom left and right side of front panel.

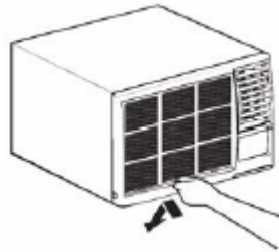


Guide the lever carefully through the grille frame as you push it in.

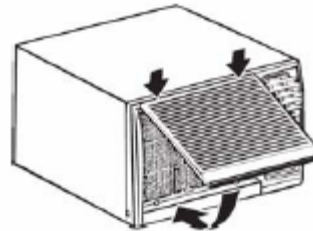
Secure the front grill frame to the case with one type C screw.



Reinstall the filter.



Reinstall the inlet grill. Connect power.



THRU-WALL INSTALLATION INSTRUCTIONS

INTRODUCTION

This instruction provides guidelines for installing a compact air conditioner through an outside wall.

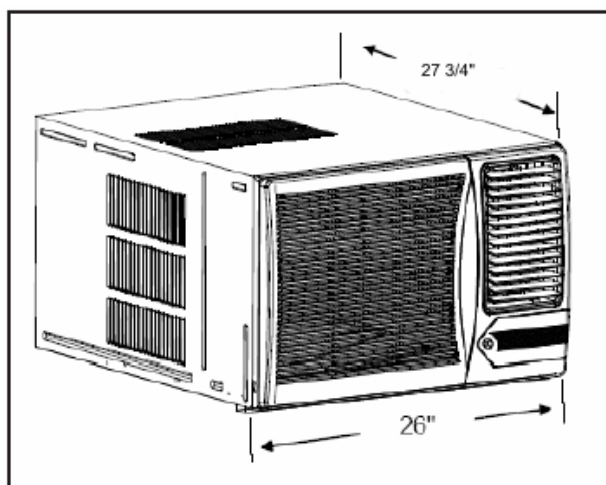


CAUTION

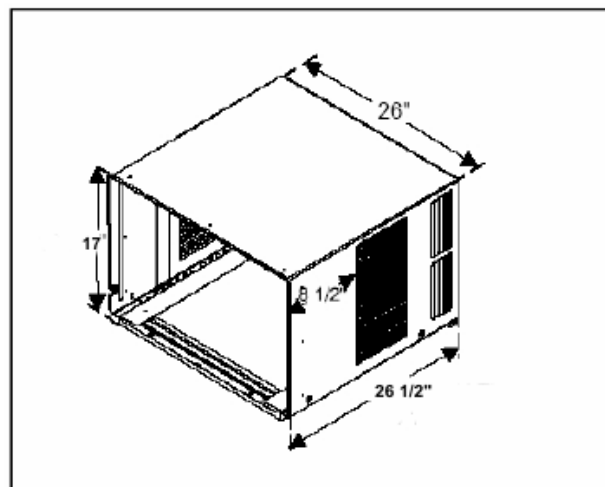
Installing an air conditioner through a wall requires extensive carpentry and/or masonry experience. Thru-wall installations performed by inexperienced or unqualified individuals can result in costly damage to home.

Air conditioner Dimensions

The following figures show the outside dimensions of the air conditioner with the chassis installed, and dimensions of the outer case with the chassis removed.



Air Conditioner Dimensions
(with chassis installed)



Outer Case Dimensions
(Chassis removed)

General Instructions

All compact Room Air conditioners feature a slide-out chassis. Chassis and front cover must be removed from outer case for installation.



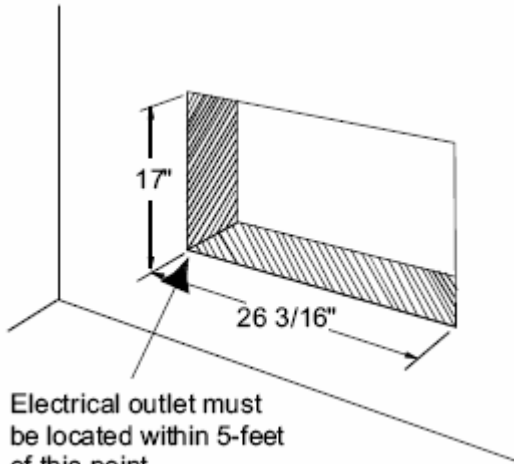
CAUTION

In order to reinstall the chassis and reattach the air conditioner front cover, the installed outercase must be square and level from side to side. Use wood shims between sides of case and finished opening - especially where case is secured to opening - to prevent warping or distorting. Check installed case for distortion using carpenter's square.

A finished opening 26 3/16" wide x 17" high is recommended. The lower left inside corner of the opening must be within 5 feet of an appropriate electrical outlet.

When wall thickness exceeds 9 3/8", the opening must be modified to allow air to enter the side louvers on the case (see special instructions on back.) do not install the air conditioner in walls thicker than 11 3/4".

GENERAL INSTRUCTIONS (CONT.)

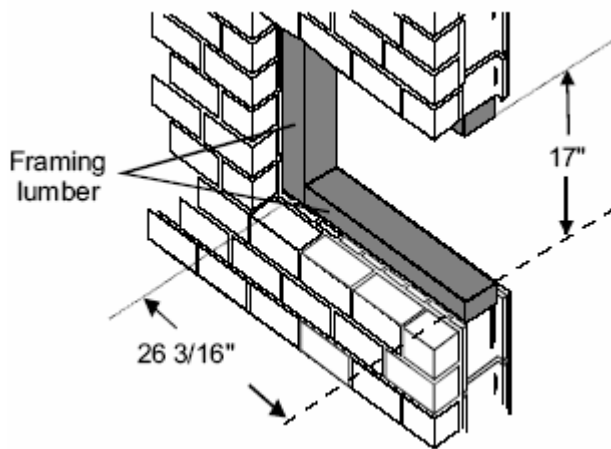


Masonry Construction

See CAUTION under General Instructions. In masonry walls, cut or build a finished opening 17" high by 26 3/16" wide. When case is properly positioned in opening, secure it in place with mortar or concrete nails driven through holes in sides of outer case (shim case and pre-drill holes before securing with nails).

Brick Veneer or Frame Wall Construction

See CAUTION under General Instructions. Cut or build rough opening large enough to allow a framed, finished opening 17" high and 26 3/16" wide. When case is properly finished in opening, secure it in place with mortar or concrete nails driven through holes in sides of outer case (shim case and pre-drill holes before securing with nails).



Framed/Finished Opening
(brick veneer or fame wall construction)

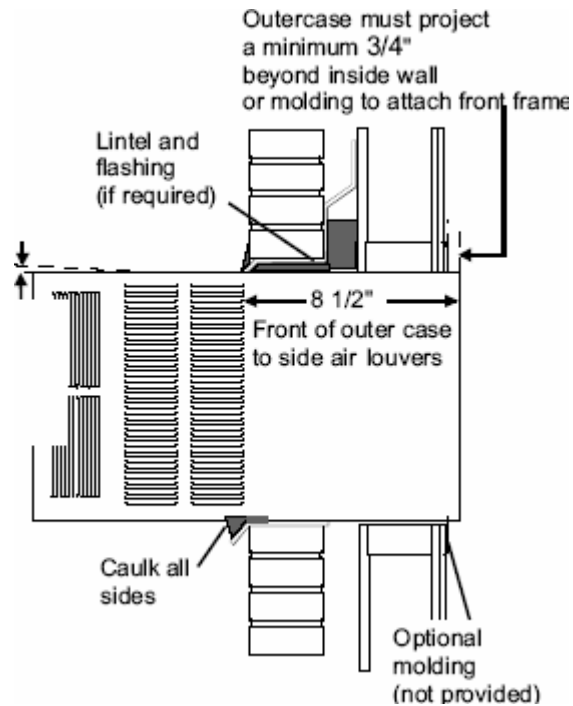
Placement of Outer Case in Opening

Place the outer case in the opening, flush against one side of the opening. Use a carpenter's level and ensure case is level from side to side and has a 3/8" slope from front to back (back of case must be 3/8" lower than front to ensure proper condensate drainage). If needed, use shims to level case (from side to side) and to obtain proper back slope.

Front of case must project 3/4" (minimum) beyond inside wall in order to attach the air conditioner front frame. If framing indoor side of opening with wood molding (or other decorative material), extend outer case 3/4" beyond molding.

When case is properly positioned in opening, use wood shims to fill any gaps between case and finished opening, especially in areas where the case will be secured to the opening. Take care not to warp or distort the case when installing shims.

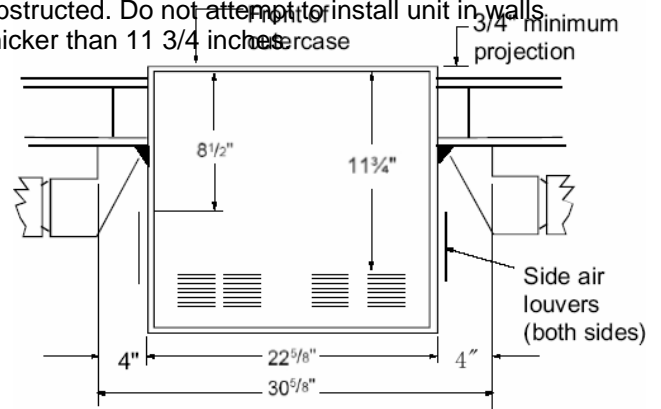
For condensate drainage, install the drainage cup in the drain hole on the base plate of the case.



Installation in Wall Thicker than 8 1/2"

The side louvers in outer case provide ventilation to air conditioner compressor and fan motor and must not be blocked. When installing unit in a wall over 9 3/8" thick, provisions must be made in wall opening to ensure free air flow to the side louvers. This can be accomplished by chamfering the vertical portions of the outside opening as shown.

Ventilation louvers on top of case must not be obstructed. Do not attempt to install unit in walls thicker than 11 3/4 inches.

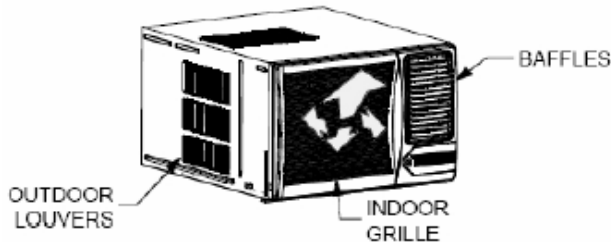


GENERAL OPERATING INSTRUCTIONS

While operation of all units is similar, controls vary slightly from model. Operating Controls section shows control panel of unit purchased and gives detailed information about operation of controls.

Air Around Unit

Select the highest fan speed and set the temperature control to its coldest position. When the desired temperature is reached, slowly move the temperature control toward a warmer setting until the compressor shuts off. The thermostat will then cycle the compressor on and off to maintain this selected temperature. Adjust the fan speed for desired air circulation.



Changing Airflow Direction Baffles

Airflow of unit may be diverted left or right from center by baffles. Upward and downward air discharge is provided by tilting louvers. Adjust baffles and tilt louvers for desired airflow pattern.

Airflow Around Unit

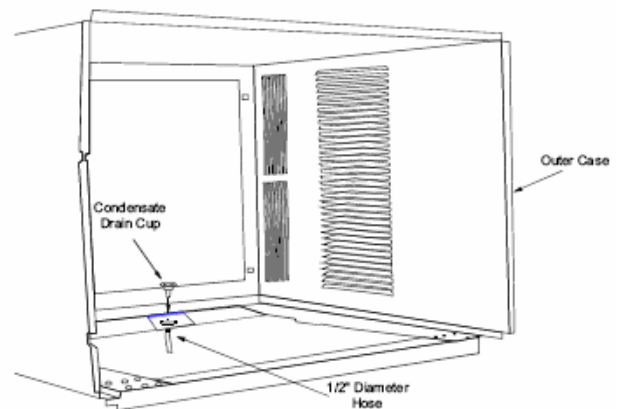
Check the indoor grill and outdoor louvers for obstructions to air flow. Do not block the airflow to and from the unit. If air is obstructed and/or deflected back into the unit, the air conditioner's compressor may cycle on and off rapidly. This could damage your unit.

Drain Cup Installation and Use

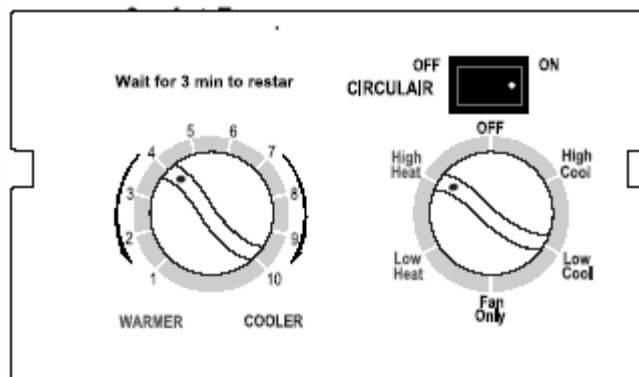
Your air conditioner uses a system where the water removed from the indoor air (condensate) is channeled to the outdoor side of the unit. The outdoor fan blade has a "slinger" ring attached to it that dips into the water and slings the water onto the outdoor coil surface. This is the sound of water you hear during normal operation. The water quickly evaporates on this warm surface and improves the efficiency of your air conditioner. However in very humid conditions excess amounts of water may drip off the unit chassis. If this proves to be a problem, install the condensate drain cup included with the unit to route excess water where it would not be a problem.

To install, remove the unit chassis from the outer case. Insert the condensate drain cup through the recessed 1/2" hole on the back center of the outer case. Once inserted, place a 1/2" diameter hose or tube on the drain cup bottom spout. The hose allows you to route where you want the excess water to go.

Reinsert the unit chassis into the outer case. The unit base pan overflow hole will be positioned directly above the drain cup and will catch any water that might drain out.



OPERATING CONTROLS



Fan Control

OFF Completely shuts off the unit. To prevent blowing fuses, wait two minutes after turning the unit off before turning it on again.

LOW COOL Filters and circulates room air with the fan running continuously on low speed. Also cools and dehumidifies while the compressor is running. Select this setting for quiet cooling operation

HIGH COOL Filters and circulates room air with the fan running continuously on high speed. Also cools and dehumidifies while the compressor is running. Select this setting for maximum air circulation and cooling effect.

LOW HEAT Filters and circulates room air with the fan running continuously on low speed. Also heats while the compressor or electric heat is running. Select this setting for quiet heating operation.

HIGH HEAT Filters and circulates room air with the fan running continuously on high speed. Also heats while the compressor or electric heater is running. Select this setting for maximum air circulation and heating effect.

FAN ONLY Select this setting for circulating or exhausting room air without heating or cooling.

Temperature Control

Turn this control to the left for a warmer room temperature, to the right for a cooler room temperature.

Vent Control (On Some Models)

Choose one of the following two settings by sliding the vent control under the appropriate marking:

- **EXHAUST** Exhausts room air to the outdoors. Also circulates and filters room air. This position can be used to exhaust stale or smoky air. To conserve energy, it is advised that the Fan Control be in the Fan Only setting when using this feature.
- **CLOSED** Exhaust damper is closed. Unit circulates and filters room air. This position should be used for normal cooling operation.

Circulair

This control allows you to circulate the air across the room. When in the ON position, vertical louvers in the air outlet grill are moved back and forth distributing the air throughout the room. When in the OFF position, the vertical louvers in the air outlet remain pointed in the direction they were when the switch was moved to the OFF position.

TROUBLESHOOTING



WARNING

To reduce the risk of electric shock, personal injury, or death, turn the fan control to the off position and remove the unit plug from the wall outlet before doing any inspection or maintenance work.

The following is a list of problems that are sometimes encountered when using a room air conditioner. Possible cause and suggested remedies are given for each problem.

- **UNIT WILL NOT RUN**

Push reset button on power cord.
Set Fan Control to position other than OFF.
Make sure plug is firmly seated in outlet.
Check for blown fuses, tripped circuit breakers.

- **LITTLE OR NO COOLING / LITTLE OR NO HEATING (fan and compressor run)**

Set vent to CLOSED
Remove obstruction from indoor grill or outdoor louvers.
Dirty air filter. Clean or replace as needed.
Check with dealer to determine proper capacity unit for application.

- **NOISY UNIT**

Tighten any loose parts.
Provide additional support for unit.
Normal in high humidity. Stop noise by removing drain plug or adding condensate drain cup.
Check with dealer to determine proper capacity unit for application.

- **MOUNTING SUPPORT NOT INSTALLED**

Some models require removal of storm window frame before installation.

- **FROST ON INDOOR COIL**

Clean air filter by vacuuming or washing with water and mild soap.
Turn Temperature Control to warmer setting reduces occurrence and duration of frost.

TECHNICAL SPECIFICATIONS

MODEL	WAH18230M
COOLING BTU	18000
HEATING BTU	11000
EER	9.7
DEHUMIDIFICATION (pints/hr)	4.2
AIRFLOW CFM MAX	450
VOLTAGE/FREQ	208/230 VAC
COOLING AMPS	8.75
HEATING AMPS	15.4
COOLING WATTS	1885
HEATING WATTS	3500
PLUG TYPE	type C
POWER CORD RATING (amps)	20
POWER CORD TYPE	LCDI
POWER CORD LENGTH	6'
MIN. CIRCUIT BREAKER SIZE (A)	20
MIN. CIRCUIT CAPACITY (A)	10.8
REFRIGERANT CHARGE (lbs/oz.)(R22)	1.74/27.84
SOUND dba (H/M/L)	63/59
4 WAY AIR ADJUSTMENT	YES
2 WAY AIR SWING	YES
AIR DISCHARGE	side
MOTOR TYPE	ball bearing
MOTOR CAPACITOR (UF)	7
CONTROLS	Mechanical
OPERATING RANGE	61° - 89° F
UNIT SIZE (W X D X H) (In.)	26" X 28" X 17"
WINDOW OPENING (Width)	30"-46"
THRU WALL MAX THICKNESS	8 1/2"
WEIGHT GROSS/NET (lbs)	163/150
APPROVALS	UL/CUL

WARRANTY

International Refrigeration Products warrants the she product supplied is free from defects in material and workmanship. This warranty is valid as long as this product is properly handled, installed, operated and serviced in accordance with the Installation and Operating Instructions shipped with this unit, and warranty card is completed and mailed no later than 30 days after date of purchase. All warranty claims must be made within one (1) year (five (5) years for compressor) from date of purchase (unless national regulations require a longer registration period).

This warranty provides free replacement of defective parts only. Labor, Service calls, and replacement parts as a result of normal wear and tear are not covered under this warranty.

Additional claims are excluded, unless required by national regulations. International Refrigeration Products inc. is not responsible for incidental, consequential, direct, or indirect damage or expenses relating to the use of, or the inability to use he product for any purpose. Other implied warranties are excluded. This constitutes International Refrigeration Products warranty obligation and replaces any and all prior warranties for this product.

INTERNATIONAL REFRIGERATION PRODUCTS INC.
11325 Nations Ford Rd. Charlotte, NC 28134-8393
(704) 504-8590 Phone (704) 504-3023 Fax

Copyright 2006 IRP INC.

950-0019