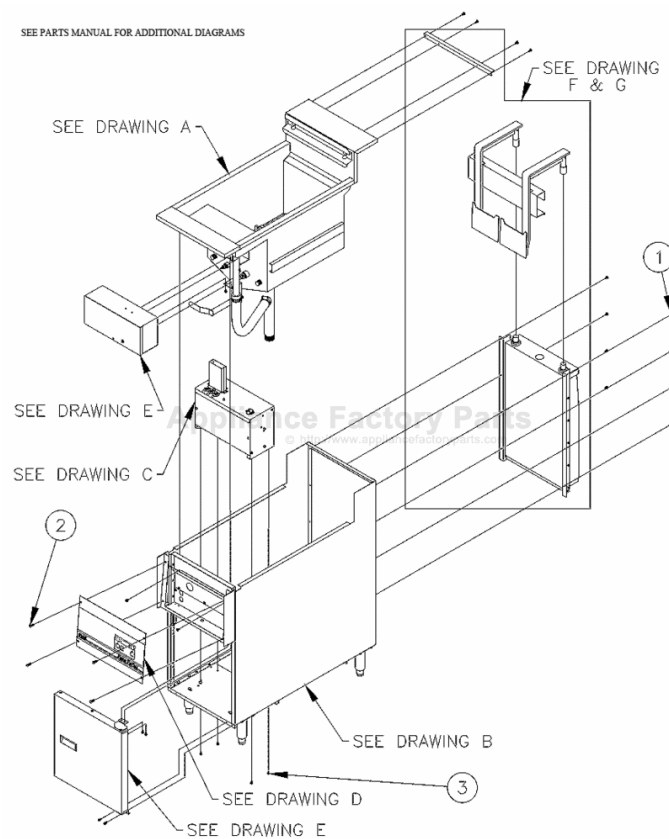


This Owner's Manual is provided and hosted by Appliance Factory Parts.



PITCO PE14D Owner's Manual

[Shop genuine replacement parts for PITCO PE14D](#)



[Find Your PITCO Cooker Parts - Select From 4 Models](#)

----- Manual continues below -----



IMPORTANT FOR FUTURE REFERENCE

Please complete this information and retain this manual for the life of the equipment:

Model #: _____

Serial #: _____

Date Purchased: _____

Exploded Parts Manual

PE14D: Electric Floor Model Pasta Cooker

Built after 11/2003





WARNING

DO NOT store or use gasoline or other flammable vapors and liquids in the vicinity of this or any other appliance.

WARNING

Improper installation, alteration, service or maintenance can cause property damage, injury or death. Read the installation, operating and maintenance instructions thoroughly before installing or servicing this appliance.

WARNING

Installation, maintenance and repairs should be performed by a Pitco Authorized Service and Parts (ASAP) company technician or other qualified personnel. Installation, maintenance or repairs by an unauthorized and unqualified personnel will void the warranty.

WARNING

Installation and all connections must be made according to national and local regulations and codes in force.

WARNING

During the warranty period if a customer elects to use a non-original part or modifies an original part purchased from Pitco and/or its Authorized Service and Parts (ASAP) companies, this warranty will be void. In addition, Pitco and its affiliates will not be liable for any claims, damages or expenses incurred by the customer which arises directly or indirectly, in whole or in part, due to the installation of any modified part and/or received from an unauthorized service center.

WARNING

This appliance, when installed, must be electrically grounded in accordance with local codes, or in the absence of local codes, with the National Electrical Code, ANSI/NFPA 70, or the Canadian Electrical Code, CSA C22.2, as applicable.

WARNING

Adequate means must be provided to LIMIT the movement of this appliance without depending on the gas or electrical cord connection. Single appliances equipped with legs must be stabilized by installing anchor straps. All appliances equipped with casters must be stabilized by installing restraining chains.

WARNING

DO NOT alter or remove structural material on the appliance to accommodate placement under a ventilation hood.

WARNING

If the appliance is equipped with a power cord and it is damaged, it must be replaced by a Pitco Authorized Service and Parts (ASAP) company technician, or a similarly qualified person in order to avoid a hazard.

WARNING

The power supply must be disconnected before servicing, maintaining or cleaning this appliance.

WARNING

The appliance is NOT jet stream approved. DO NOT clean the appliance with a water jet.

WARNING

DO NOT attempt to move this appliance or transfer hot liquids from one container to another when the unit is at operating temperature or filled with hot liquids. Serious personal injury could result if skin comes in contact with the hot surfaces or liquids.

WARNING

DO NOT sit or stand on this appliance. The appliance's front panel, tank, splash back, tank cover, workshelf, drain board is not a step. Serious injury could result from slipping, falling or contact with hot liquids.

WARNING

NEVER use the appliance as a step for cleaning or accessing the ventilation hood. Serious injury could result from slips, trips or from contacting hot liquids.

WARNING

Completely shut the appliance down when liquid is being drained from the appliance. This will prevent the appliance from heating up during the draining and filling process. Serious injury can occur.

WARNING

DO NOT operate appliance unless all panels and access covers are attached correctly.

WARNING

It is recommended that this appliance be inspected by a qualified service technician for proper performance and operation on a yearly basis.

WARNING

A country approved all pole circuit breaker with a minimum open contact gap of 3mm must be used for proper installation. (CE countries)

PE14D EXPLODED 2

 PE14D Exploded Parts List 2

 PE14D Exploded Drawing 3

A) TANK 4

 Tank Drawing A Parts List 4

 Tank Drawing A 5

B) CABINET 6

 Cabinet Drawing B Parts List 6

 Cabinet Drawing B 7

C) ENTRANCE BOX 8

 Entrance Box Drawing C Parts List 8

 Entrance Box Drawing C 9

D) FRONT PANEL BEZEL 10

 Front Panel Bezel Drawing D Parts List 10

 Front Panel Bezel Drawing D 11

E) DOOR & ELEMENT SHIELD 12

 Door & Element Shield Drawing E Parts List 12

 Door & Element Shield Drawing E 13

F) DUAL BASKET LIFT OPTION 14

 Dual Basket Lift Option Drawing F Parts List 14

 Dual Basket Lift Option Drawing F 15

G) SINGLE BASKET LIFT OPTION 16

 Single Basket Lift Option Drawing G Parts List 16

 Single Basket Lift Option Drawing G 17

H) MANUAL FILL OPTION 18

 Manual Fill Option Drawing H Parts List 18

 Manual Fill Option Drawing H 19



| | |
|---|-----------|
| I) MIXING VALVE OPTION | 20 |
| Mixing Valve Option Drawing I Parts List..... | 20 |
| Mixing Valve Option Drawing I | 21 |
| J) FAUCET OPTION | 22 |
| Faucet Option Drawing J Parts List..... | 22 |
| Faucet Option Drawing J | 23 |
| K) BATTERY OPTION | 24 |
| Battery Option Drawing K Parts List | 24 |
| Battery Option Drawing K..... | 25 |
| L) ACCESSORIES | 26 |
| Accessories Drawing L Parts List..... | 26 |
| Accessories Drawing L | 27 |

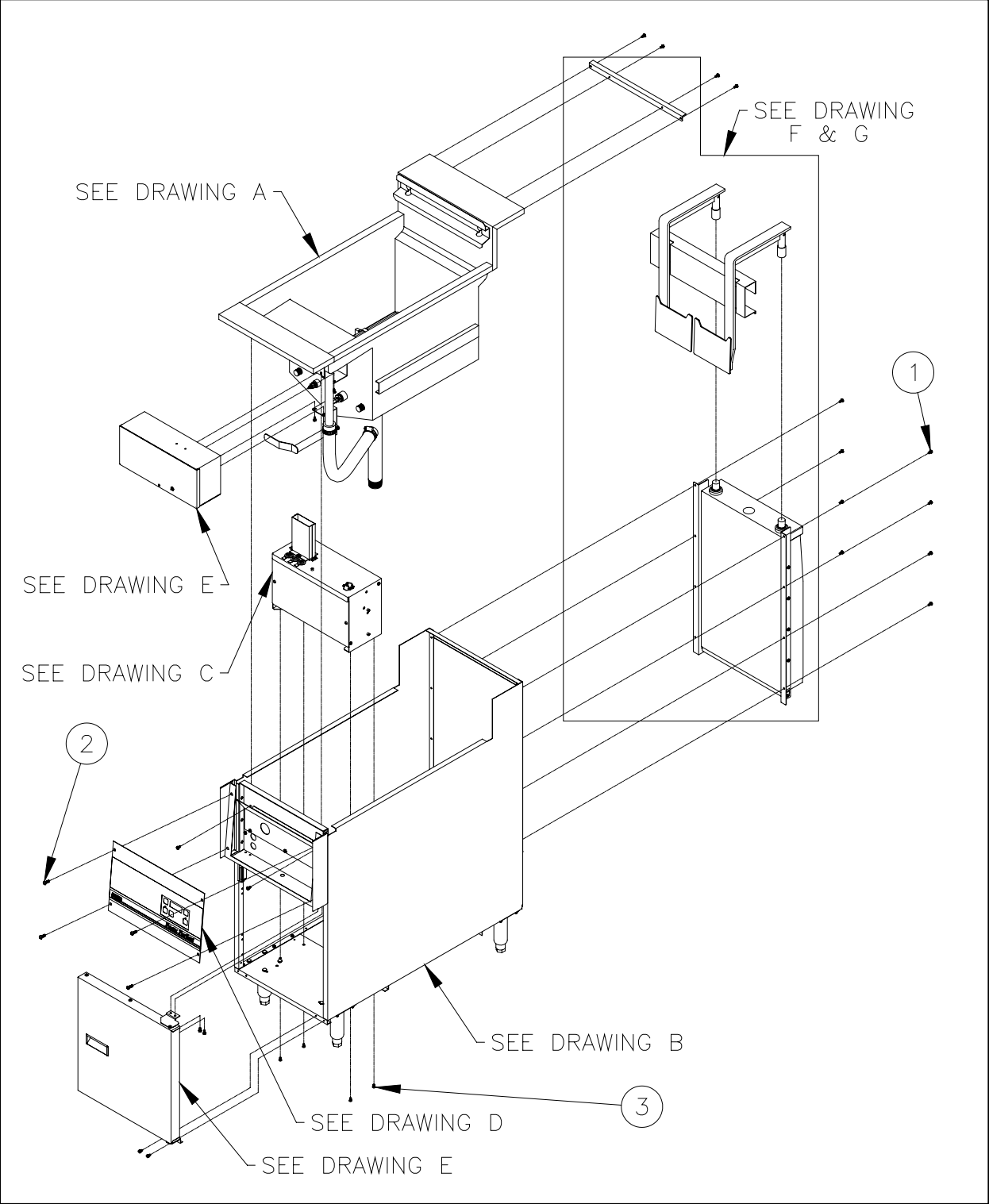


PE14D Exploded

PE14D Exploded Parts List

| ITEM # | PART # | PART DESCRIPTION |
|--------|----------|--|
| 1 | P0075400 | SCREW 10-24 X 1/2 SELF TAP |
| 2 | PP10195 | SCREW 1/4-20 X 3/4 BUTTON HEAD HEX |
| 3 | PP10693 | SCREW 10-24 X 3/8 THRUSS HEAD PHILLIPS |

PE14D Exploded Drawing



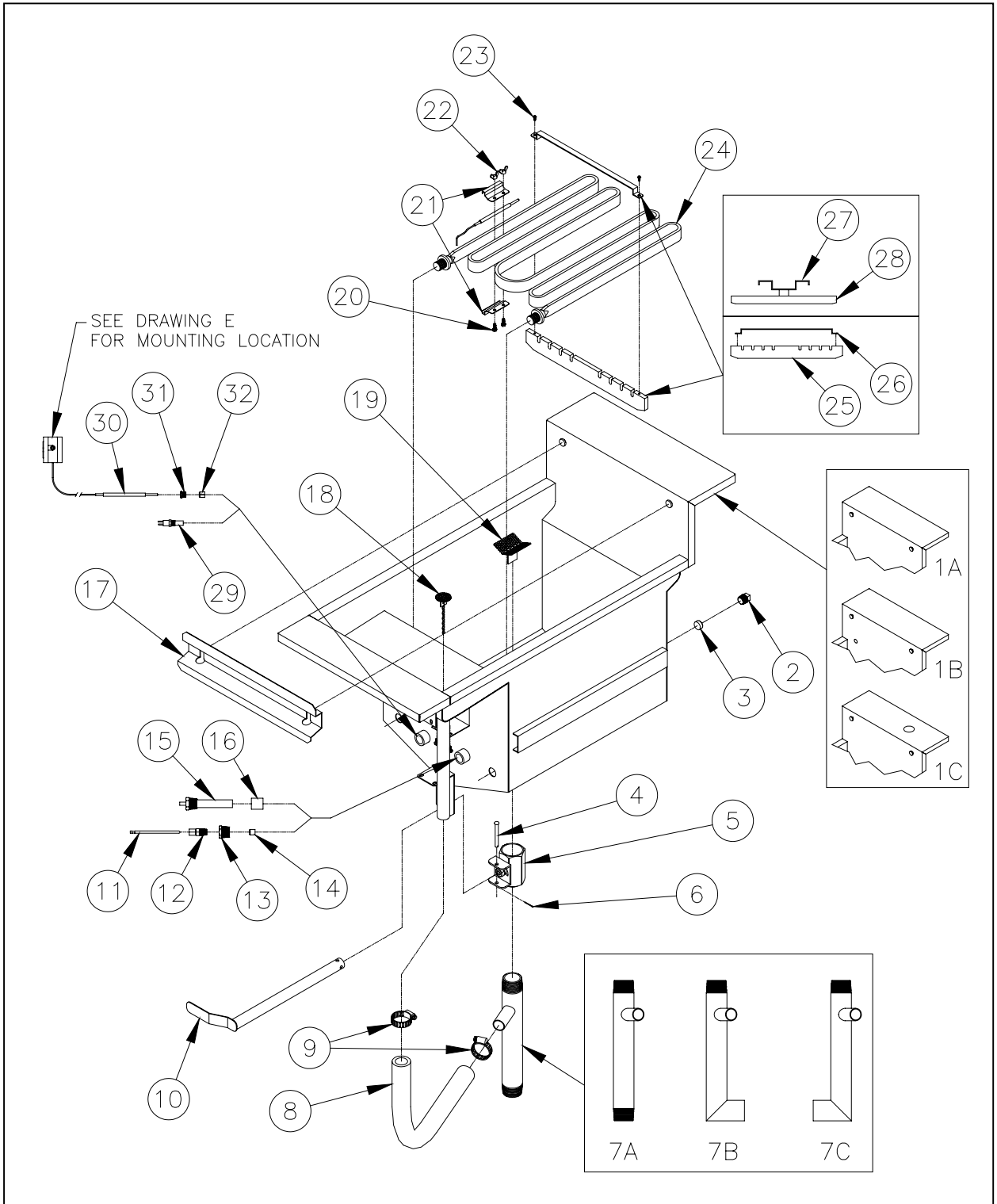


A) Tank

Tank Drawing A Parts List

| ITEM # | PART # | PART DESCRIPTION |
|--------|------------|--|
| 1A | B3318201-C | TANK WELDMENT PE14D |
| 1B | B3318202-C | TANK WELDMENT PE14D W/MIXING VALVE |
| 1C | B3318203-C | TANK WELDMENT PE14D W/FAUCET |
| 2 | PP10839 | PLUG SST (316) 3/8 SQUARE HEAD |
| 3 | A3316001 | TANK COUPLING PLUG TEFLON PG14, PE14D |
| 4 | P0190145 | PIN CLEVIS 1/4 OD X 2-1/4 LONG |
| 5 | PP10565 | VALVE BALL 1-1/4 STANDARD PORT SST |
| 6 | P0190200 | PIN COTTER 1/16 X 3/4 LONG ZN |
| 7A | B8018104 | PIPING TUBE DRAIN PE14D |
| 7B | B8017905 | PIPING TUBE DRAIN LH PE14D |
| 7C | B8017906 | PIPING TUBE DRAIN RH PE14D |
| 8 | A3318603-C | TANK HOSE OVERFLOW 22.0 RTG18 PG14D |
| 9 | PP10620 | CLAMP HOSE WORMGEAR #20 |
| 10 | B4000802-C | HANDLE VALVE WELDMENT PPE14,PPG14 |
| 11 | PP10949 | PROBE PG14D, PE14D |
| 12 | P5045047 | CONNECTOR PROBE SST |
| 13 | PP10938 | BUSHING REDUCER HEX 1/2 X 1/4 NPT 316 SST |
| 14 | A3316203 | TANK SEAL PROBE TEFLON |
| 15 | P5047581 | THERMOSTAT 1C1B2 (ELEC PASTA) |
| 16 | A3316101 | TANK SLEEVE TEFLON PG14,PE14,CPE14 |
| 17 | A1101602-C | BASKET HANGER PG14D, PE14D |
| 18 | B3305301-C | TANK SCREEN DRAIN OVERFLOW WELDMENT PPE14D |
| 19 | B3305401-C | TANK SCREEN DRAIN VALVE WELDMENT PPE14 |
| 20 | P0112000 | SCREW 10-24 X 1/2 HEX HEAD CAP SST |
| 21 | A1407802-C | CLAMP BULB HI-LIMIT PE14D |
| 22 | PP10568 | NUT WING 10-24 SS |
| 23 | PP10665 | SCREW 10-24 X 3/8 ROUND HEAD SST |
| 24 | 60116501 | ELEMENT FLAT BAR 12.5KW 240V |
| 24 | PP11209 | ELEMENT FLAT BAR 12.5KW 208V |
| 24 | PP11210 | ELEMENT FLAT BAR 12.5KW 230V |
| 25 | A3343502 | TANK ELEMENT HOLD DOWN PLATE PE14D |
| 26 | A3343402 | TANK ELEMENT HOLD DOWN BRACKET PE14D |
| 27 | | OBS, REPLACE WITH ITEMS 25 & 26 |
| 28 | | OBS, REPLACE WITH ITEMS 25 & 26 |
| 29 | | DO NOT USE, REPLACE WITH B8702601-CL |
| 30 | PP10803 | SWITCH HI LIMIT 250F LB117-026 |
| 31 | PP10658 | BUSHING REDUCER HEX 3/8 X 1/4 NPT BRASS |
| 32 | A3316201 | TANK SEAL CAPILLARY TEFLON PG14D |

Tank Drawing A



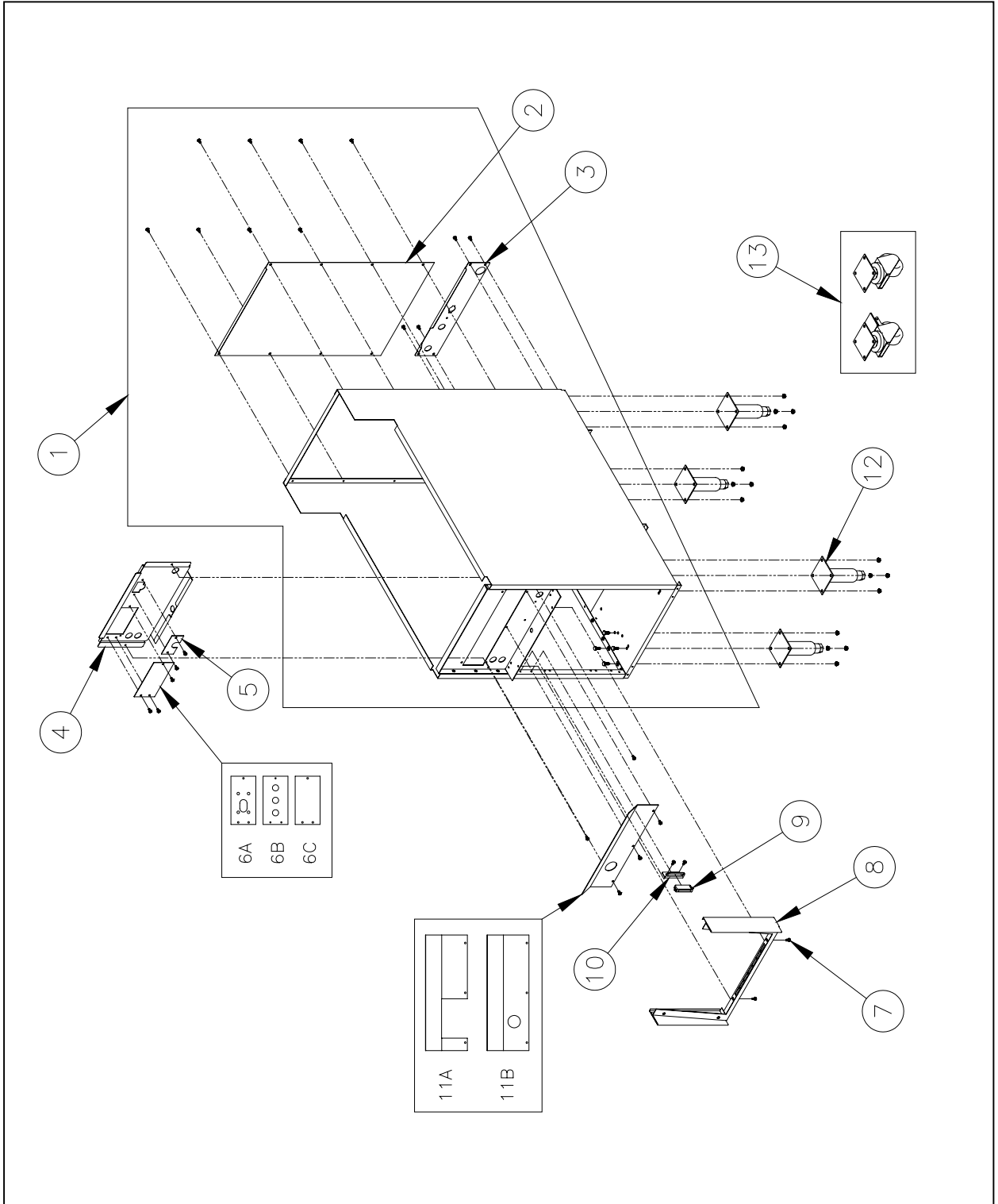


B) Cabinet

Cabinet Drawing B Parts List

| ITEM # | PART # | PART DESCRIPTION |
|--------|------------|--|
| 1 | B1814501-C | CABINET WELDMENT PG14D,RS14D |
| 2 | A1615102-C | CABINET BACK UPPER PG14D, PE14D, RS14D |
| 3 | A1615202-C | CABINET BACK BOTTOM SST PG14D,RTE14, PE14D |
| 4 | A1835901-C | CABINET AIRVENT PE14D |
| 5 | A3661801-C | FRONT PANEL CABLE RETAINER PE14D |
| 6A | A1826101-C | CABINET PLATE RETAINER VALVE PG14D W/FILL |
| 6B | A3650601-C | FRONT PANEL PLATE RETAINER VALVE PG14D |
| 6C | A1826103-C | CABINET PLATE RETAINER VALVE PG14D W/O FILL |
| 7 | P0075400 | SCREW 10-24 X 1/2 SELF TAP |
| 8 | B3609602-C | FRONT PANEL WELDMENT PG14D, PE14D |
| 9 | P6071300 | CATCH MAGNET STANDARD |
| 10 | A1847002 | CLAMP BRACKET MAGNET CATCH |
| 11A | A1835701-C | CABINET HEAT SHIELD OUTER PG14D MIXING VALVE |
| 11B | A1826201-C | CABINET SHIELD HEAT OUTER PG14D |
| 12 | B3900701 | LEG SET W/HARDWARE 6" (4-PACK) |
| | B3900909 | LEG ADJUSTABLE 6" SS |
| | P0020600 | SCREW 1/4-20 X 5/8 HEX HEAD CAP ZN |
| | P0093300 | NUT HEX (KEP) 1/4-20 ZN |
| 13 | B3901501 | CASTER 6" SET W/HARDWARE |
| | P0020600 | SCREW 1/4-20 X 5/8 HEX HEAD CAP ZN |
| | P0093300 | NUT HEX (KEP) 1/4-20 ZN |
| | PP10808 | CASTER SWIVEL 6 NONLOCKING |
| | PP10809 | CASTER SWIVEL 6 LOCKING |

Cabinet Drawing B



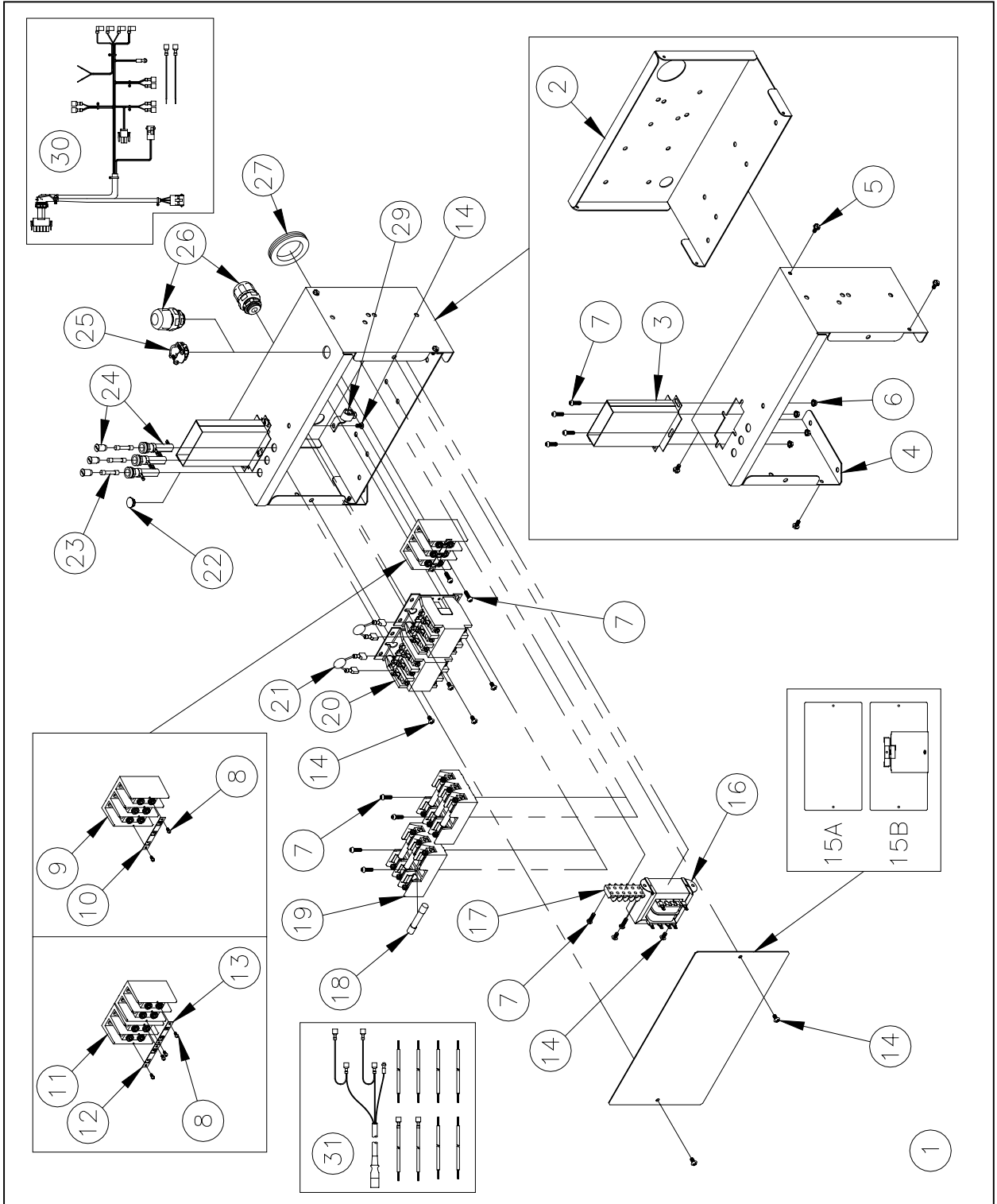


C) Entrance Box

Entrance Box Drawing C Parts List

| ITEM # | PART # | PART DESCRIPTION |
|--------|------------|---|
| 1 | B2916401-C | ENTRANCE BOX ASSEMBLY 208V 1PH PE14D |
| | B2916402-C | ENTRANCE BOX ASSEMBLY 240V 1PH PE14D |
| | B2916403-C | ENTRANCE BOX ASSEMBLY 208V 3PH PE14D |
| | B2916404-C | ENTRANCE BOX ASSEMBLY 240V 3PH PE14D |
| | B2916405-C | ENTRANCE BOX ASSEMBLY 200V 1PH PE14D |
| | B2916406-C | ENTRANCE BOX ASSEMBLY 220V 1PH PE14D |
| | B2916407-C | ENTRANCE BOX ASSEMBLY 200V 3PH PE14D |
| | B2916408-C | ENTRANCE BOX ASSEMBLY 220V 3PH PE14D |
| | B2916409-C | ENTRANCE BOX ASSEMBLY 346/200V 3PH PE14D |
| | B2916410-C | ENTRANCE BOX ASSEMBLY 380/220V 3PH PE14D |
| | B2916411-C | ENTRANCE BOX ASSEMBLY 400/230V 3PH PE14D |
| | B2916412-C | ENTRANCE BOX ASSEMBLY 415/240V 3PH PE14D |
| | B2916413-C | ENTRANCE BOX ASSEMBLY 208V 3PH DUAL PWR SPLY PE14D |
| 2 | A2964001-C | ENTRANCE BOX BACK PE14D |
| 3 | B2910601-C | ENTRANCE BOX WELDMENT WIRE PIPE PE14D |
| 4 | A2954201-C | ENTRANCE BOX BODY PE14D |
| 5 | P0075400 | SCREW 10-24 X 1/2 SELF TAP |
| 6 | P0092300 | NUT HEX (KEP) 10-24 ZN |
| 7 | PP10698 | SCREW 10-24 X 5/8 ROUND HEAD PHILLIPS |
| 8 | PP10605 | FASTENER TERMINAL BLOCK LABEL |
| 9 | P5047301 | BLOCK TERMINAL 3 POST ENTRANCE |
| 10 | P6094942 | LABEL, MARKING STRIP L1 TO L |
| 11 | P5047302 | BLOCK TERMINAL 2 POST ENTRANCE |
| 12 | P6094940 | LABEL MARKING STRIP L1 & L2 |
| 13 | A6043901 | LABEL MARKING STRIP L3&N |
| 14 | PP10693 | SCREW 10-24 X 3/8 THRUSS HEAD PHILLIPS |
| 15A | A2954303-C | ENTRANCE BOX COVER PE14D INTERNATIONAL & 3PH DOMESTIC |
| 15B | B2913201-C | ENTRANCE BOX COVER WELDMENT PE14D 1PH DOMESTIC |
| 16 | PP10429 | TRANSFORMER 80VA 120/208/240V TO 24V |
| 17 | P5045282 | BLOCK TERMINAL 4POLE BARRIER |
| 18 | P5045701 | FUSE 40A SLOW BLOW |
| 19 | P5045792 | FUSEBLOCK 3 POST 300V 60A |
| 20 | PP10560 | CONTACTOR 24VAC 3POLE QUICK DISCONNECTS |
| 21 | B5307303 | ELECTRIC ASSEMBLY SNUBBER 24V CONTACTOR |
| 22 | P6071493 | PLUG HOLE 1/2 PLATED |
| 23 | P5045720 | FUSE 4A SLOW BLOW GLASS |
| 24 | P5045794 | FUSEHOLDER (LITTLEFUSE) |
| 25 | P5045240 | CLAMP ROMEX 3/8 |
| 26 | PP10914 | BUSHING STRAIN RELIEF CABLE DIA .17 |
| 27 | P6071228 | GROMMET 1.703ID X 2.5OD |
| 29 | 60145301 | LUG GROUND ALUM |
| 30 | B6782101-C | WIRING CONTROL PE14D |
| 31 | B6782601-C | WIRING POWER SINGLE PHASE PE14D |
| | B6782701-C | WIRING POWER THREE PHASE DELTA PE14D |
| | B6782801-C | WIRING POWER THREE PHASE WYE PE14D |

Entrance Box Drawing C



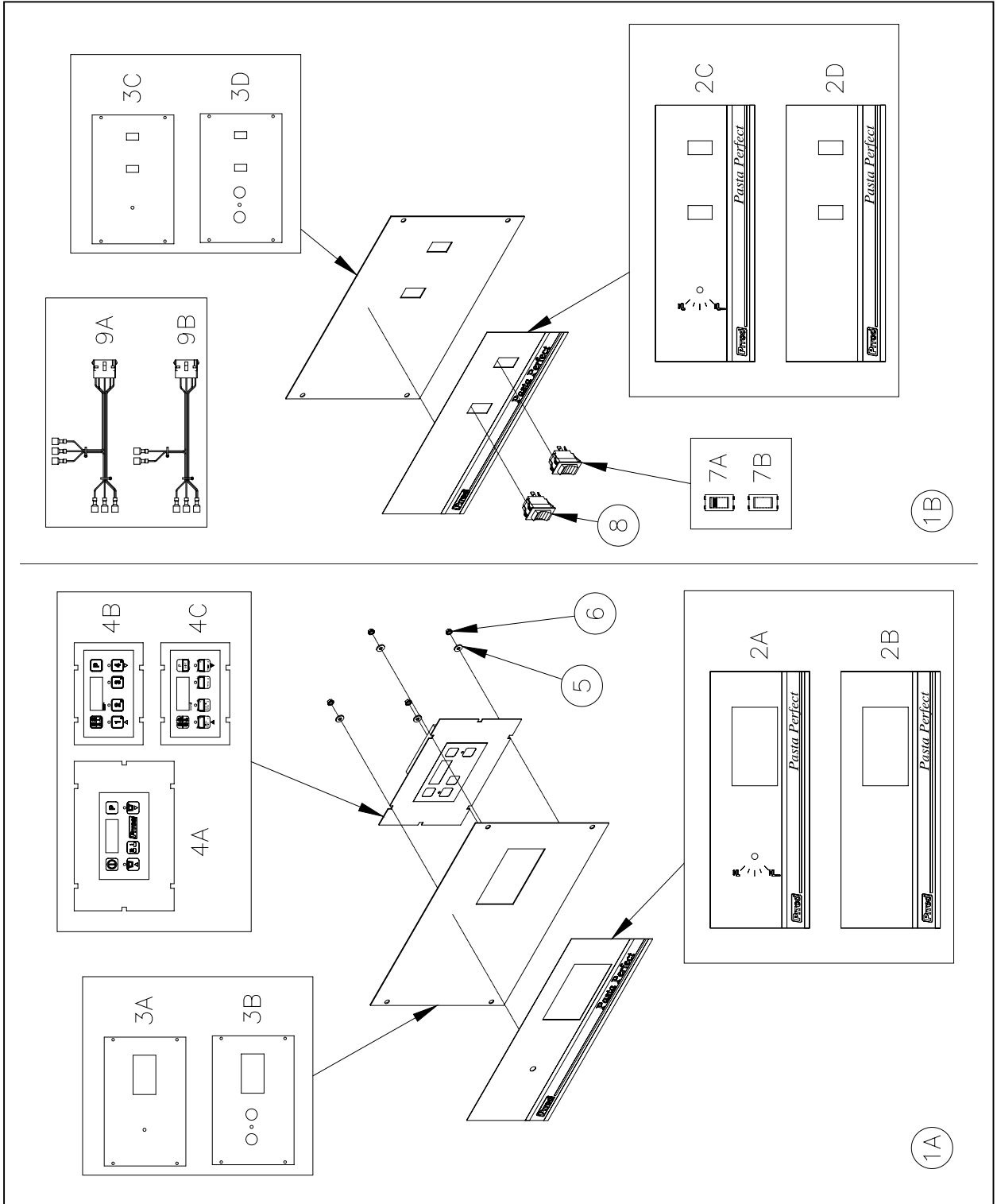


D) Front Panel Bezel

Front Panel Bezel Drawing D Parts List

| ITEM # | PART # | PART DESCRIPTION |
|--------|------------|--|
| 1A | B3615505-C | FRONT PANEL BEZEL ASSEMBLY DIGITAL EP3310 |
| | B3615506-C | FRONT PANEL BEZEL ASSEMBLY DIGITAL EP3310 W/FILL |
| | B3615508-C | FRONT PANEL BEZEL ASSEMBLY DIGITAL PE14D MIXING VALVE |
| | B3615511-C | FRONT PANEL BEZEL ASSEMBLY DIGITAL COMPACT 4 BUTTON |
| | B3615515-C | FRONT PANEL BEZEL ASSEMBLY DIGITAL PIZZA HUT |
| | B3615512-C | FRONT PANEL BEZEL ASSEMBLY DIGITAL 4 BUTTON W/FILL |
| | B3615516-C | FRONT PANEL BEZEL ASSEMBLY DIGITAL PIZZA HUT W/FILL |
| 1B | B3615606-C | FRONT PANEL BEZEL ASSEMBLY PE14D ELECTRIC TSTAT W/FILL |
| | B3615607-C | FRONT PANEL BEZEL ASSEMBLY PE14D ELECTRIC TSTAT |
| | B3615608-C | FRONT PANEL BEZEL ASSEMBLY ELECTRIC TSTAT MIXING VALVE |
| 2A | A6066901 | LABEL OVERLAY BEZEL PG14D DIGITAL W/FILL |
| 2B | A6066801 | LABEL OVERLAY BEZEL PG14D DIGITAL |
| 2C | A6067201 | LABEL OVERLAY BEZEL PG14D ELECTRIC TSTAT W/FILL |
| 2D | A6067101 | LABEL OVERLAY BEZEL PG14D ELECTRIC TSTAT |
| 3A | B3615401-C | FRONT PANEL BEZEL WELDMENT PG14D DIGITAL EP3310 |
| | B3615402-C | FRONT PANEL BEZEL WELDMENT PG14D DIGITAL 4 BUTTON |
| 3B | B3628701-C | FRONT PANEL BEZEL WELDMENT DIGITAL EP3310 MIXING VALVE |
| 3C | A3641302-C | FRONT PANEL BEZEL PG14D ELECTRIC TSTAT |
| 3D | A3650802-C | FRONT PANEL BEZEL PG14D ELECTRIC TSTAT MIXING VALVE |
| 4A | PP10939 | CONTROL DIGITAL EP3310 PASTA |
| 4B | 60143701 | CONTROL COMPACT PASTA 4 BUTTON |
| 4C | 60143702 | CONTROL COMPACT 4 BUTTON PIZZA HUT |
| 5 | P0080601 | WASHER FLAT #10 |
| 6 | P0092300 | NUT HEX (KEP) 10-24 ZN |
| 7A | P5047118 | SWITCH ROCKER SPST (1-0) 28V GREEN LAMP |
| 7B | PP10654 | SWITCH ROCKER SPST W/BLK (1-0) |
| 8 | PP10093 | SWITCH ROCKER SPDT W/BLK (1-1) |
| 9A | B6780602-C | WIRING ELECTRIC TSTAT PE14D W/MIXING VALVE |
| 9B | B6780601-C | WIRING ELECTRIC TSTAT PE14D |

Front Panel Bezel Drawing D



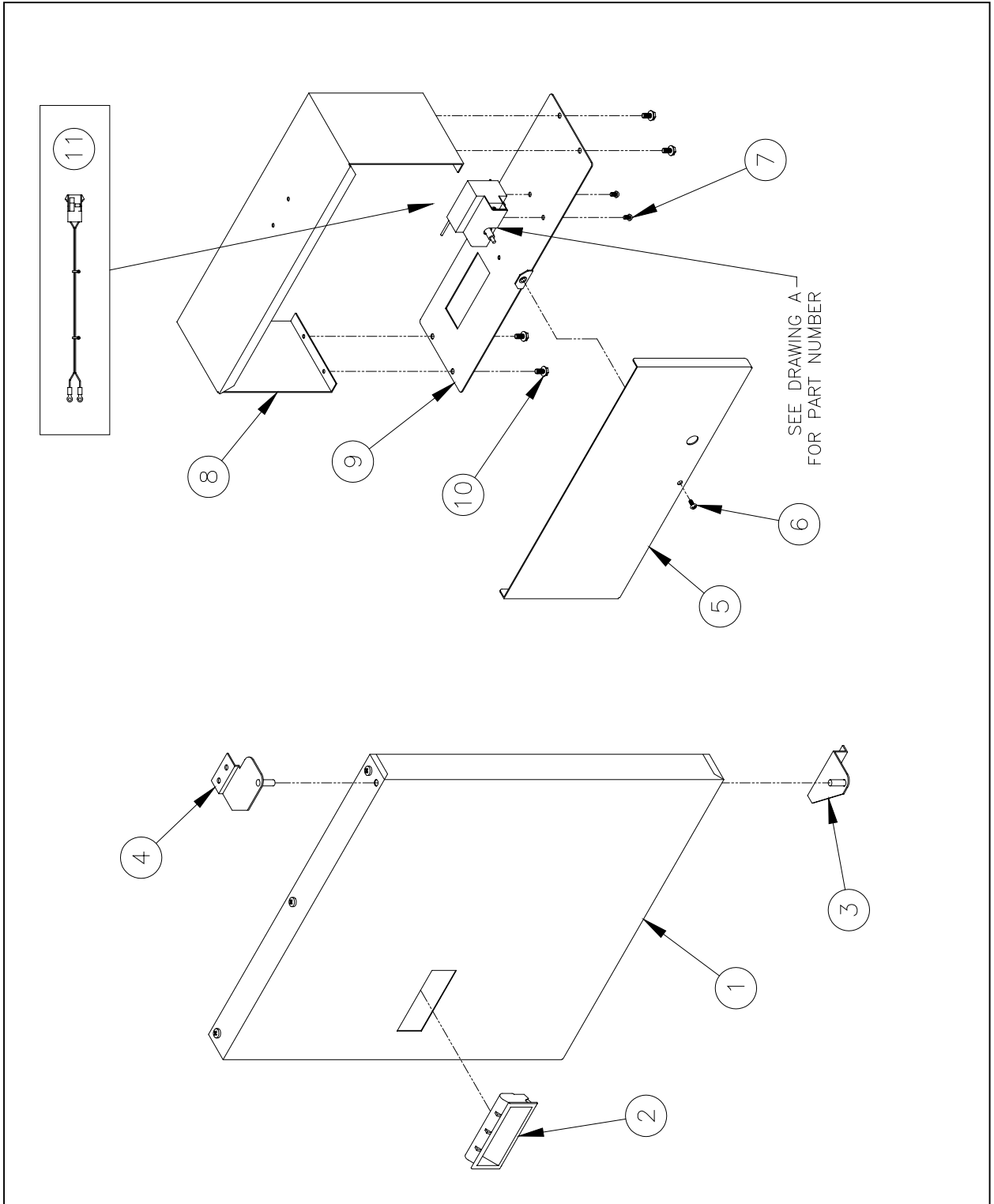


E) Door & Element Shield

Door & Element Shield Drawing E Parts List

| ITEM # | PART # | PART DESCRIPTION |
|--------|------------|--|
| 1 | B2301123-C | DOOR ASSEMBLY PG14D,PE14,PE14D |
| 2 | PP11006 | HANDLE DOOR RECESSED PLASTIC |
| 3 | B3801601 | HINGE WELDMENT LOWER RH |
| 4 | B3801501 | HINGE WELDMENT UPPER RH |
| 5 | A2966901-C | ENTRANCE BOX ELEMENT SHIELD COVER PE14D |
| 6 | PP10693 | SCREW 10-24 X 3/8 THRUSS HEAD PHILLIPS |
| 7 | PP10687 | SCREW 6-32 X 5/16 THRUSS HEAD PHILLIPS |
| 8 | A2954701-C | ENTRANCE BOX ELEMENT SHIELD SIDE PE14D |
| 9 | A2967001-C | ENTRANCE BOX ELEMENT SHIELD BOTTOM PE14D |
| 10 | P0075400 | SCREW 10-24 X 1/2 SELF TAP |
| 11 | B6782201-C | WIRING HI-LIMIT PE14D |

Door & Element Shield Drawing E



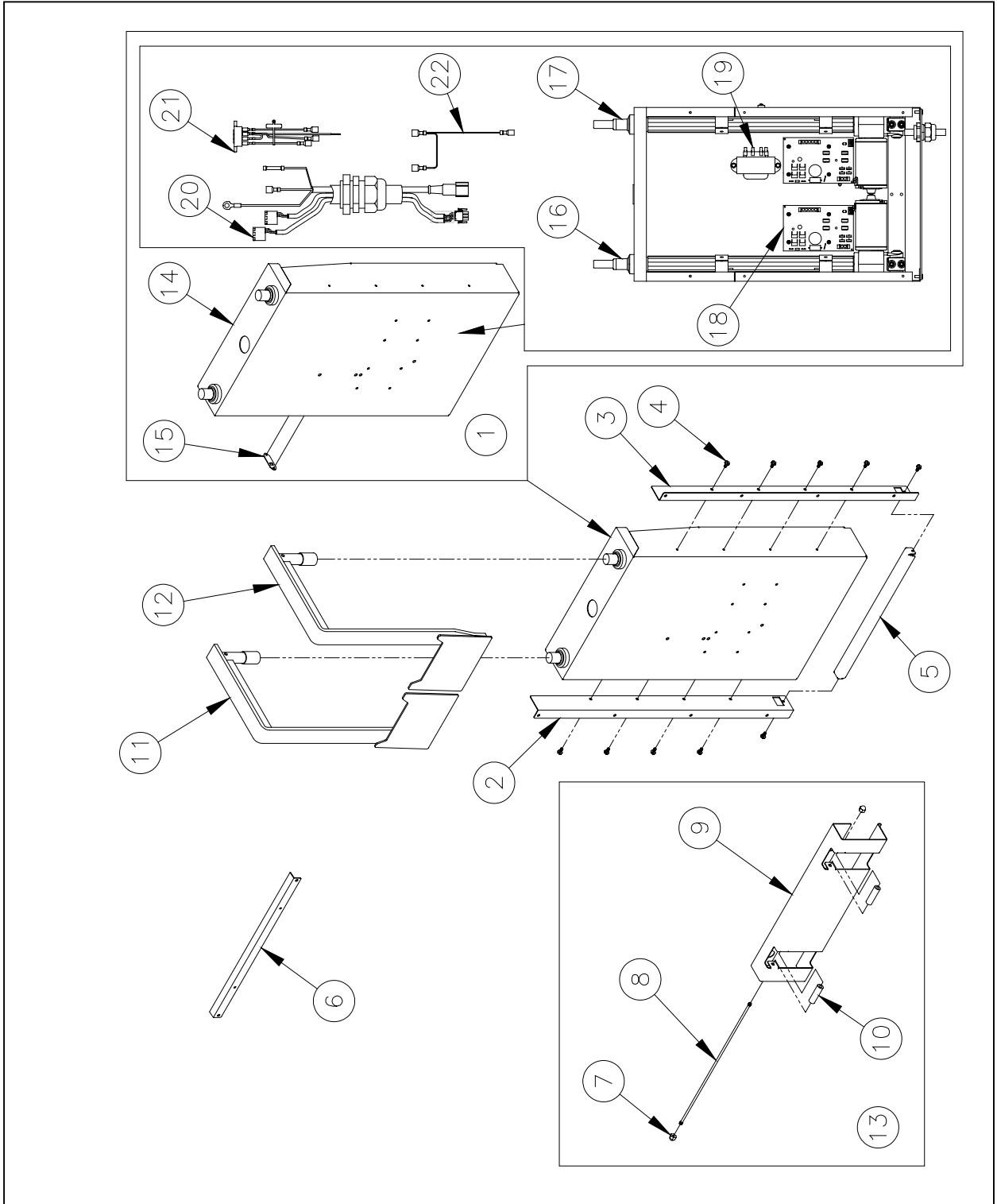


F) Dual Basket Lift Option

Dual Basket Lift Option Drawing F Parts List

| ITEM # | PART # | PART DESCRIPTION |
|--------|------------|---|
| 1 | B5606501-C | BASKET LIFT ACTUATOR BOX DUAL 120V PASTA |
| | B5606502-C | BASKET LIFT ACTUATOR BOX DUAL 208V PASTA |
| | B5606503-C | BASKET LIFT ACTUATOR BOX DUAL 230V PASTA |
| 2 | A5619702-C | BASKET LIFT MOUNT SIDE LH PE14D |
| 3 | A5619704-C | BASKET LIFT MOUNT SIDE RH PE14D |
| 4 | PP10023 | SCREW 10-24 X 3/8 SELF TAPPING |
| 5 | A5618302 | BASKET LIFT MOUNT BOTTOM SG |
| 6 | A5619802-C | BASKET LIFT DRIP SHIELD PE14D |
| 7 | PP10668 | NUT ACORN W/CENTERLOCK 1/4-20 |
| 8 | A5617902 | BASKET LIFT HANGER SUPPORT AXLE SG DUAL |
| 9 | A5619602-C | BASKET LIFT HANGER SUPPORT PE14D DUAL |
| 10 | A5617801 | BASKET LIFT HANGER SUPPORT WHEEL SG |
| 11 | B5606101 | BASKET LIFT HANGER WELDMENT LH PE14D DUAL |
| 12 | B5606102 | BASKET LIFT HANGER WELDMENT RH PE14D DUAL |
| 13 | B5606301-C | BASKET LIFT HANGER SUPPORT ASSEMBLY, PE14D DUAL |
| 14 | B5604102 | BASKET LIFT ASSEMBLY LINEAR ACTUATOR DUAL PASTA |
| 15 | A2958102 | ENTRANCE BOX SWITCH COVER 120V SG |
| | A2958104 | ENTRANCE BOX SWITCH COVER 208V SG |
| | A2958106 | ENTRANCE BOX SWITCH COVER 220/240V SG |
| 16 | 60134304 | BASKET LIFT ACTUATOR RH PASTA |
| 17 | 60134303 | BASKET LIFT ACTUATOR LH PASTA |
| 18 | 60134001 | CONTROL BASKET LIFT DRIVER BOARD |
| 19 | PP10429-M | TRANSFORMER 80VA 120/208/240V TO 24V |
| 20 | B6779001 | WIRING B/L MAIN ACTUATOR |
| 21 | B6744901 | WIRING VOLTAGE SELECTOR SWITCH |
| 22 | B6779101 | WIRING B/L TRANSFORMER ACTUATOR DUAL |

Dual Basket Lift Option Drawing F





G) Single Basket Lift Option

Single Basket Lift Option Drawing G Parts List

| ITEM # | PART # | PART DESCRIPTION |
|--------|------------|---|
| 1 | B5606801-C | BASKET LIFT ACTUATOR BOX SINGLE 120V PASTA |
| | B5606802-C | BASKET LIFT ACTUATOR BOX SINGLE 208V PASTA |
| | B5606803-C | BASKET LIFT ACTUATOR BOX SINGLE 230V PASTA |
| 2 | A5619702-C | BASKET LIFT MOUNT SIDE LH PE14D |
| 3 | A5619704-C | BASKET LIFT MOUNT SIDE RH PE14D |
| 4 | PP10023 | SCREW 10-24 X 3/8 SELF TAPPING |
| 5 | A5618302 | BASKET LIFT MOUNT BOTTOM SG |
| 6 | A5619802-C | BASKET LIFT DRIP SHIELD PE14D |
| 7 | PP10668 | NUT ACORN W/CENTERLOCK 1/4-20 |
| 8 | A5617904 | BASKET LIFT HANGER SUPPORT AXLE PE14D SINGLE |
| 9 | A5620002-C | BASKET LIFT HANGER SUPPORT PE14D SINGLE |
| 10 | A5617801 | BASKET LIFT HANGER SUPPORT WHEEL SG |
| 11 | B5606701-C | BASKET LIFT HANGER SUPPORT ASSEMBLY, PE14D SINGLE |
| 12 | B5605701 | BASKET LIFT HANGER WELDMENT PE14D SINGLE |
| 13 | A2958102 | ENTRANCE BOX SWITCH COVER 120V SG |
| | A2958104 | ENTRANCE BOX SWITCH COVER 208V SG |
| | A2958106 | ENTRANCE BOX SWITCH COVER 220/240V SG |
| 14 | B5606601 | BASKET LIFT ASSEMBLY LINEAR ACTUATOR SINGLE PASTA |
| 15 | 60134303 | BASKET LIFT ACTUATOR LH PASTA |
| 16 | 60134001 | CONTROL BASKET LIFT DRIVER BOARD |
| 17 | PP10429-M | TRANSFORMER 80VA 120/208/240V TO 24V |
| 18 | B6779001 | WIRING B/L MAIN ACTUATOR |
| 19 | B6744901 | WIRING VOLTAGE SELECTOR SWITCH |
| 20 | B6779102 | WIRING B/L TRANSFORMER ACTUATOR SINGLE |

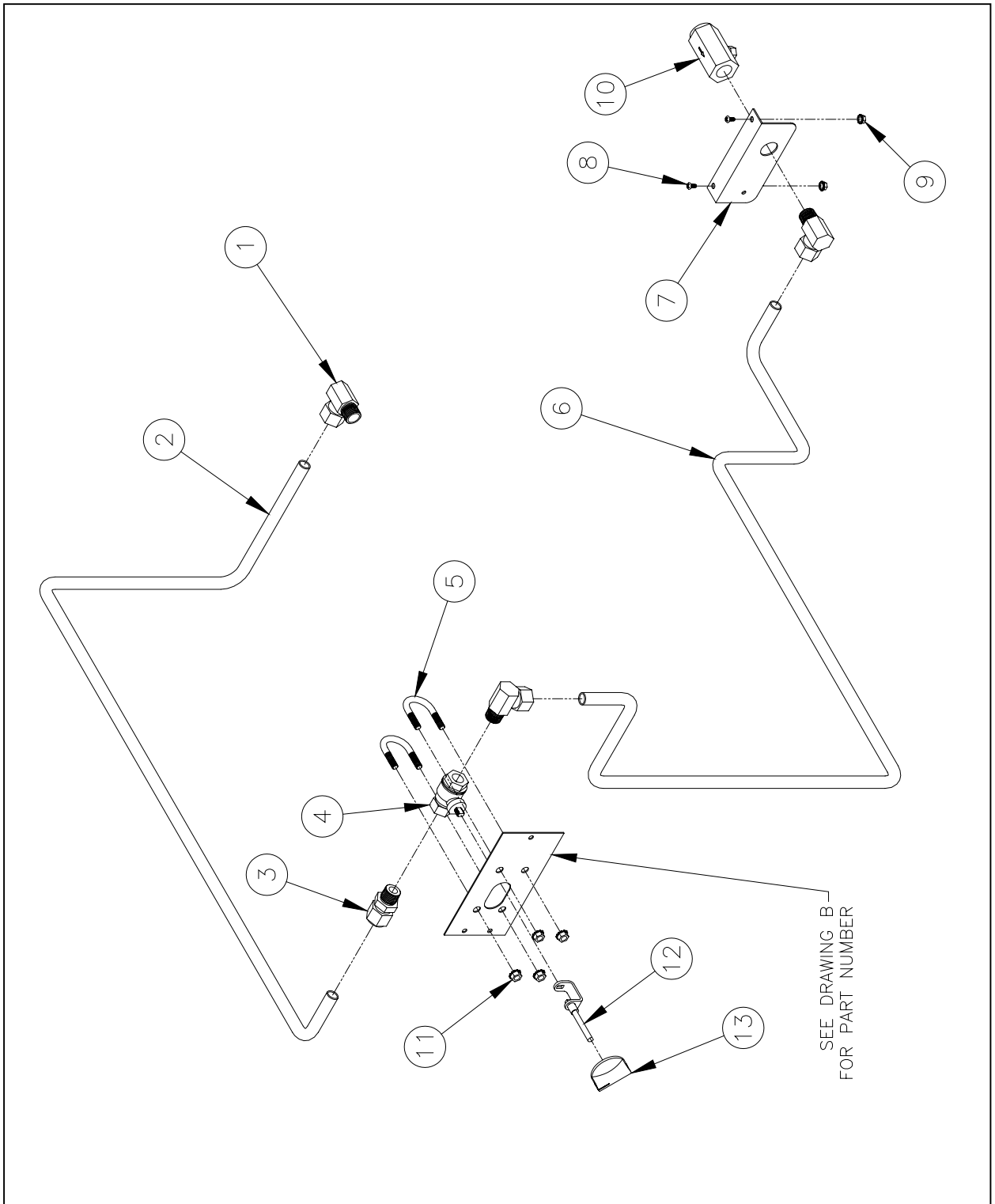


H) Manual Fill Option

Manual Fill Option Drawing H Parts List

| ITEM # | PART # | PART DESCRIPTION |
|--------|------------|--|
| 1 | PP10911 | FITTING, COMPRESSION COPPER ELBOW 1/2" TUBE X 3/8 NPT |
| 2 | A8017501 | PIPING REFILL VALVE OUTLET PG14D |
| 3 | PP10830 | FITTING, COMPRESSION COPPER STRAIGHT 1/2" TUBE X 3/8 NPT |
| 4 | PP10945 | VALVE, WATER 3/8 BALL BRASS |
| 5 | PP10270 | BOLT U-1/2 |
| 6 | A8017401 | PIPING REFILL VALVE INLET PG14D |
| 7 | A8017902-C | PIPING BRACKET MANUAL FILL PG14D |
| 8 | PP10693 | SCREW 10-24 X 3/8 THRUSS HEAD PHILLIPS |
| 9 | P0092300 | NUT HEX (KEP) 10-24 ZN |
| 10 | PP10726 | VALVE CHECK 3/8 BALL BRASS |
| 11 | P0093300 | NUT HEX (KEP) 1/4-20 ZN |
| 12 | B8029301-C | PIPING HANDLE VALVE WATER WELDMENT PG14D |
| 13 | PP10944 | KNOB MANUAL REFILL VALVE |

Manual Fill Option Drawing H



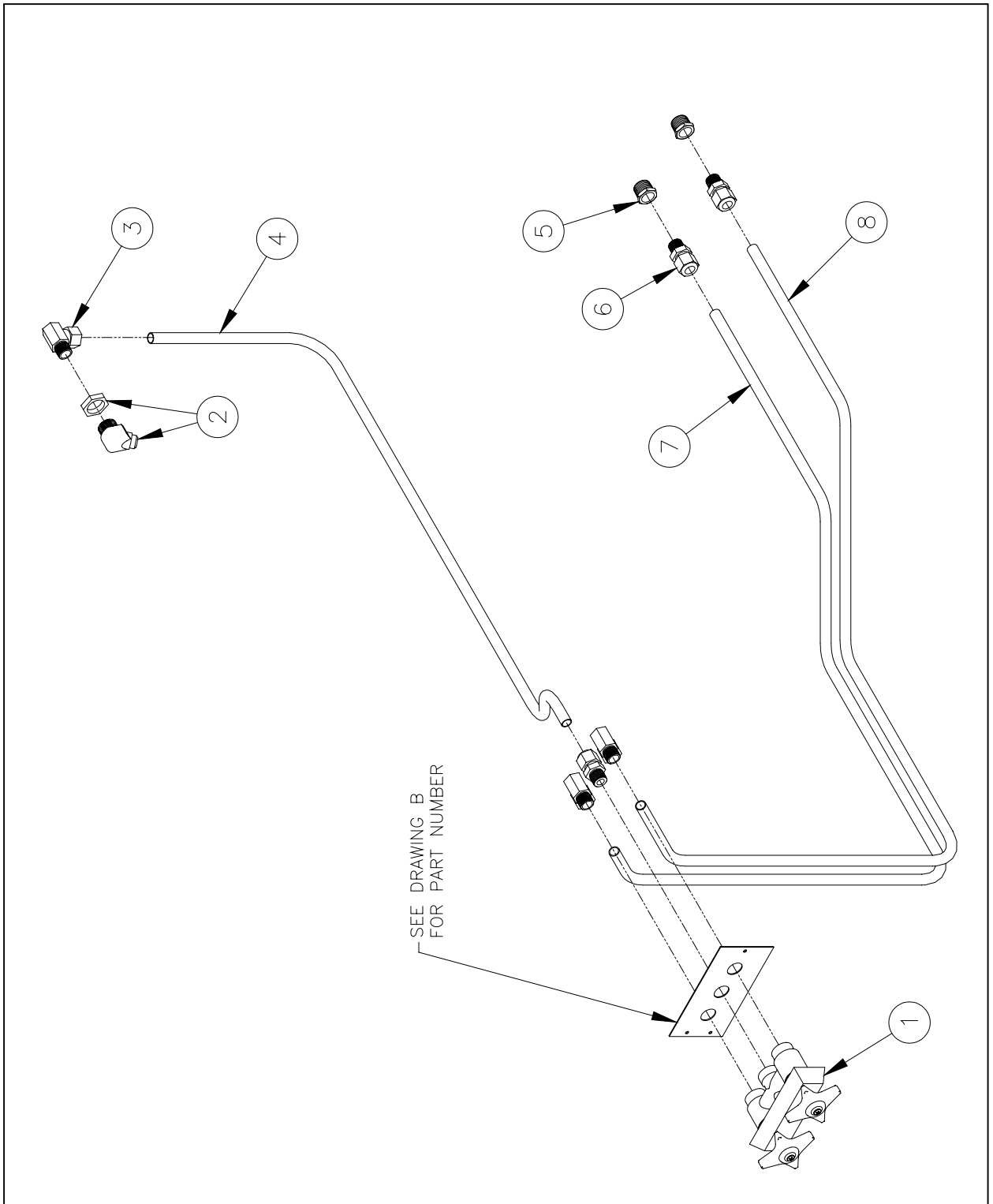


I) Mixing Valve Option

Mixing Valve Option Drawing I Parts List

| ITEM # | PART # | PART DESCRIPTION |
|--------|----------|--|
| 1 | PP11190 | VALVE MIXER 3/8 NPT HOT + COLD |
| 2 | PP11189 | FAUCET FLUSH 3/8 NPT |
| 3 | PP10911 | FITTING, COMPRESSION COPPER ELBOW 1/2" TUBE X 3/8 NPT |
| 4 | A8022901 | PIPING TUBING TANK SUPPLY WATER PG14D |
| 5 | PP10657 | BUSHING REDUCER HEX 1/2 X 3/8 NPT BRASS |
| 6 | PP10830 | FITTING, COMPRESSION COPPER STRAIGHT 1/2" TUBE X 3/8 NPT |
| 7 | A8022801 | PIPING TUBING SUPPLY WATER COLD PG14D |
| 8 | A8022701 | PIPING TUBING SUPPLY WATER HOT PG14D |

Mixing Valve Option Drawing I



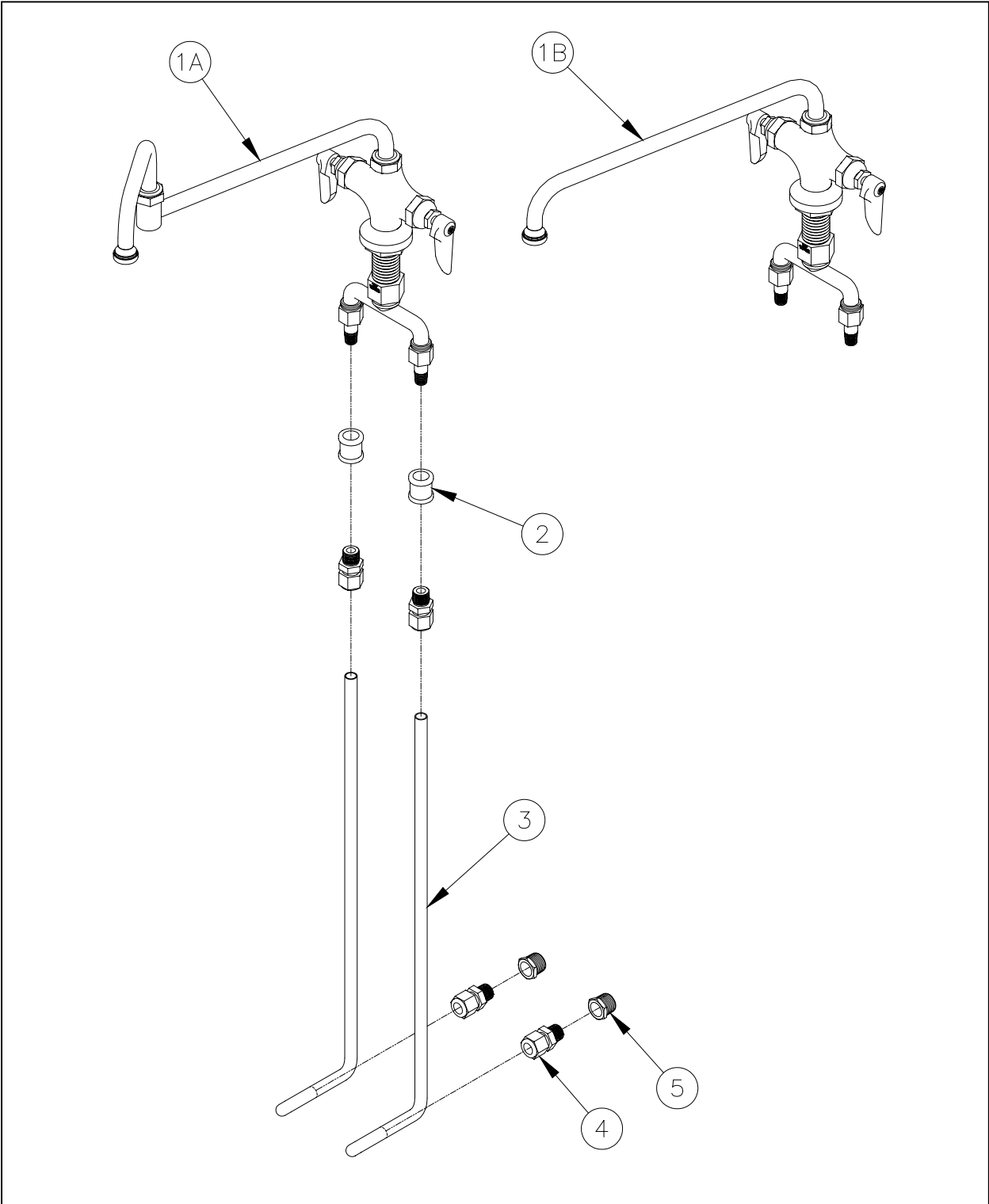


J) Faucet Option

Faucet Option Drawing J Parts List

| ITEM # | PART # | PART DESCRIPTION |
|--------|----------|--|
| 1A | P6071000 | FAUCET PASTA DOUBLE JOINTED 18 |
| 1B | P6071002 | FAUCET PASTA B200 |
| 2 | PP10672 | COUPLING BRASS 3/8 NPT |
| 3 | A8030701 | PIPING WATER FAUCET SUPPLY TUBE RS14D |
| 4 | PP10830 | FITTING, COMPRESSION COPPER STRAIGHT 1/2" TUBE X 3/8 NPT |
| 5 | PP10657 | BUSHING REDUCER HEX 1/2 X 3/8 NPT BRASS |

Faucet Option Drawing J



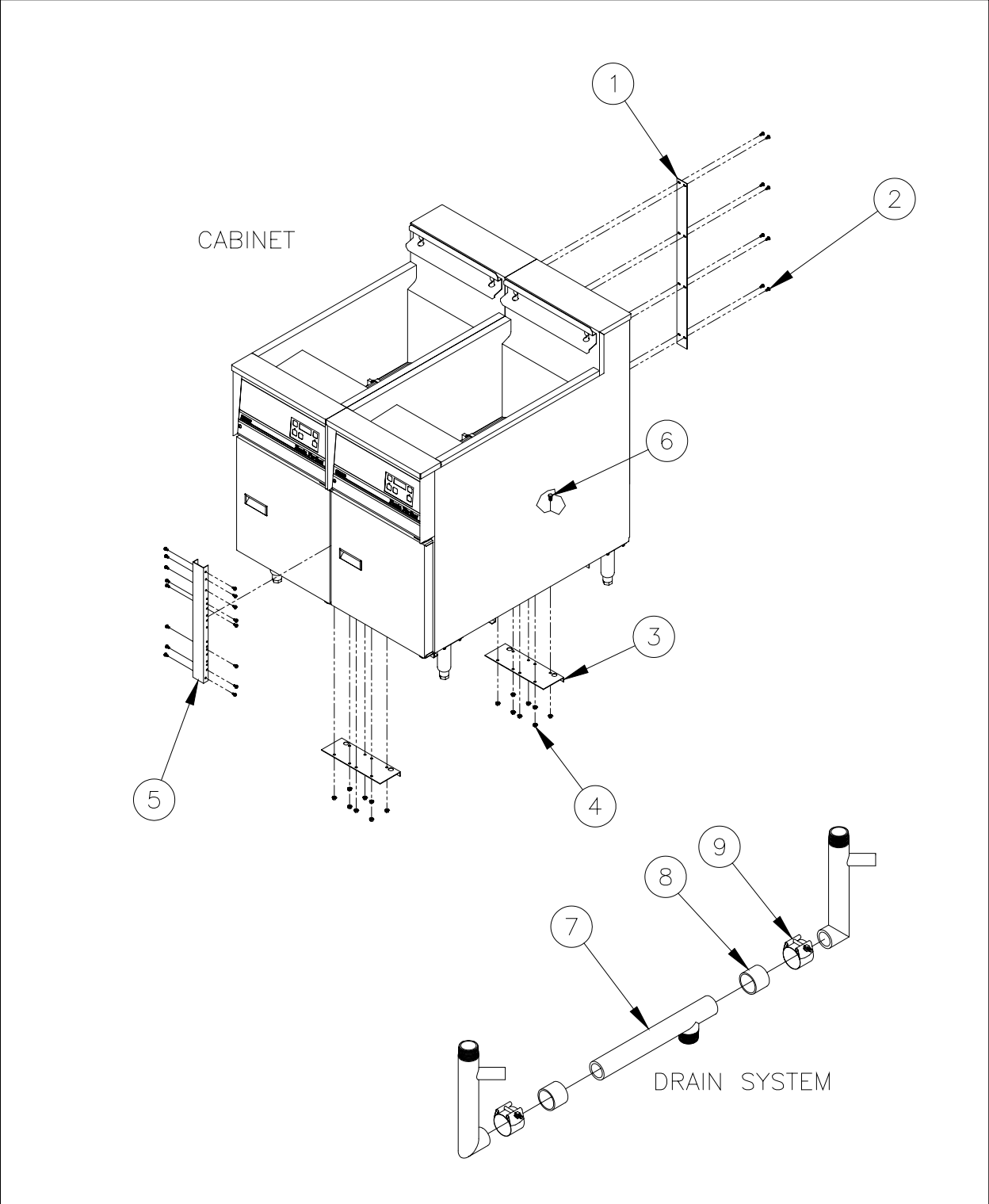


K) Battery Option

Battery Option Drawing K Parts List

| ITEM # | PART # | PART DESCRIPTION |
|--------|------------|---|
| 1 | A1820002-C | CABINET COVER STRIP REAR SST PPG14D, PPE14D |
| 2 | P0075400 | SCREW 10-24 X 1/2 SELF TAP |
| 3 | A1203502-C | CABINET BOTTOM BRACE JOINING PLATE PPG14D, PPE14D |
| 4 | P0093300 | NUT HEX (KEP) 1/4-20 ZN |
| 5 | A1813602-C | CABINET COVER UPRIGHT FRONT |
| 6 | P0020600 | SCREW 1/4-20 X 5/8 HEX HEAD CAP ZN |
| 7 | B8018001 | PIPING TUBING DRAIN LINE PPG14D |
| 8 | PP10032 | GASKET DRAIN LINE (SLEEVE) |
| 9 | PP10034 | CLAMP BAND 1.97 |

Battery Option Drawing K



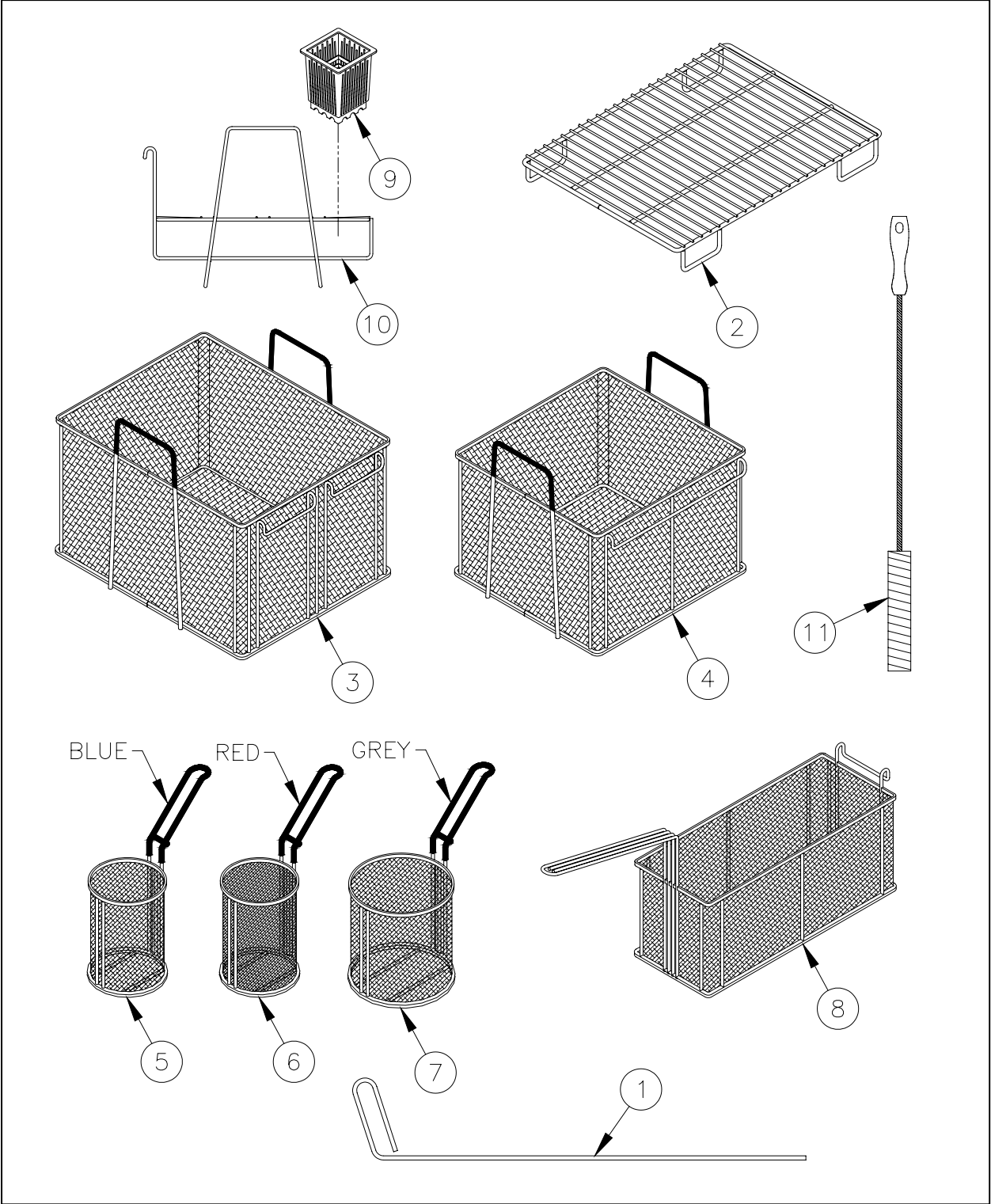


L) Accessories

Accessories Drawing L Parts List

| ITEM # | PART # | PART DESCRIPTION |
|--------|----------|------------------------------------|
| 1 | A3305701 | ROD CLEAN OUT DRAIN |
| 2 | B4512601 | ELEMENT RACK PE14D |
| 3 | B4512702 | BASKET PASTA LARGE BULK FINE MESH |
| 4 | B4510202 | BASKET PASTA SMALL BULK FINE MESH |
| 5 | B4510001 | BASKET PASTA ROUND 4-7/8 |
| 6 | B4510002 | BASKET PASTA ROUND 4-7/8 FINE MESH |
| 7 | B4509901 | BASKET PASTA ROUND 6-1/2 |
| 8 | B4509801 | BASKET PASTA OBLONG |
| 9 | P6071998 | INDIVIDUAL SERVING BASKET |
| 10 | B4511701 | PASTA RACK PORTION PPG14 |
| 11 | PP10730 | BRUSH NYLON CLEANING STRAIGHT |

Accessories Drawing L





In the event of problems with or questions about your order, please contact the Pitco Frialator factory at:
(800) 258-3708 US and Canada only or
(603) 225-6684 World Wide
Website Address: www.pitco.com

In the event of problems with or questions about your equipment, please contact the Pitco Frialator Authorized Service and Parts representative (ASAP) covering your area, or contact Pitco at the numbers listed to the left.

MAILING ADDRESS – P.O. BOX 501, CONCORD, NH 03302-0501
SHIPPING ADDRESS – 10 FERRY ST., CONCORD, NH 03301