

This Owner's Manual is provided and hosted by [Appliance Factory Parts](#).



Kenmore 122.16501010 Owner's Manual

[Shop genuine replacement parts for Kenmore
122.16501010](#)



[Find Your Kenmore Grill Parts - Select From 1424 Models](#)

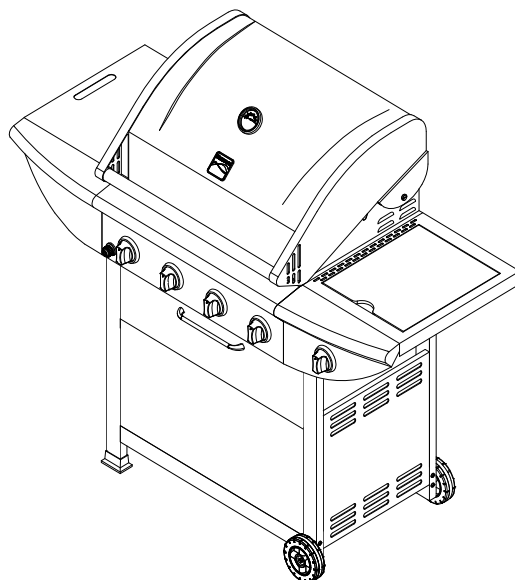
----- Manual continues below -----

Use & Care Guide



Liquid Propane Gas Grill

Sears Model No.: 122.16500010
122.16501010
Kmart Item No.: 640-01345639-7
640-01345638-9



- Safety
- Parts
- Use and Care
- Assembly

Version No.: 19000291A0

This Grill is for Outdoor Use Only

	WARNING	
<ul style="list-style-type: none">• Read and follow all Safety, Assembly, and Use and Care Instructions in this Guide before assembling and cooking with this grill.• Failure to follow all instructions in this Use and Care Guide may lead to fire or explosion, which could result in property damage, personal injury or death.		

Grill Information Center

Missing Parts? Assembly Questions?
Operation Problems? Before returning
grill to store, call 1-800-913-8999.

Tools needed for assembly:

Adjustable wrench (not provided)
Screwdriver (not provided)
7/16" Combination wrench (not provided)

SAVE THESE INSTRUCTIONS!

See our extensive assortment of outdoor living products on-line at
www.sears.com and www.kmart.com

Sears Brands Management Corporation, Hoffman Estates, IL 60179 U.S.A.

Table of Contents

Warranty-----	2
Safety Precautions-----	2~4
Package Content List-----	5
Hardware Contents-----	7
Preparation-----	7
Assembly Instructions-----	8
Lighting Instructions-----	17
Cleaning and Maintenance-----	19
Troubleshooting-----	20
Cooking Instruction-----	21
Cooking Chart-----	22
Parts Diagram -----	23
Parts List-----	24

Kenmore Grill Warranty

One-Year Full Warranty on Kenmore Grill

If this grill fails due to a defecting material or workmanship within one year from the date of purchase, call 1-800-4-MY-HOME to arrange for free repair (or replacement if repair proves impossible).

Five-Year Limited Warranty on Stainless Steel Burners

For five years from the date of purchase, any stainless steel burner that rusts through will be replaced free of charge. After the first year from the date of purchase, you pay for labor if you wish to have it installed.

All warranty coverage excludes ignitor batteries and grill part paint loss, discoloration or rusting, which are either expendable parts that can wear out from normal use within the warranty period, or are conditions that can be the result of normal use, accident or improper maintenance.

All warranty coverage is void if this grill is ever used for commercial or rental purposes.

All warranty coverage applies only if this grill is used in the United States.

This warranty gives you specific legal rights, and you may have other right which vary from state to state.

**Sears, Roebuck, and Co.
Hoffman Estates, IL 60179 U.S.A.**

Precautions

WARNING

Combustion by products produced when using this product contain chemicals known to the State of California to cause cancer, birth defects, or other reproductive harm.

WARNING

Failure to comply with these instructions could result in a fire or explosion that could cause serious bodily injury, death, or property damage.

WARNING

Your grill will get very hot. Never lean over the cooking area while using your grill. Do not touch cooking surfaces, grill housing, lid or any other grill parts while the grill is in operation, or until the gas grill has cooled down after use.
Failure to comply with these instructions may result in serious bodily injury.

WARNING

- 1. Do not store or use gasoline or other flammable liquids or vapors in the vicinity of this or any other appliance.**
- 2. An LP cylinder not connected for use shall not be stored in the vicinity of this or any other appliance.**

DANGER

If you smell gas:

- 1. Shut off gas to the appliance.**
- 2. Extinguish any open flame.**
- 3. Open lid.**
- 4. If odor continues, keep away from the appliance and immediately call your gas supplier or your fire department.**

Grill Installation Codes

The installation must conform with local codes or, in the absence of local codes, with either the national fuel gas code, ANSI Z 223.1/NFPA S4, Natural gas and propane installation code, CSA B149.1, or propane storage and handling code, B149.2, or the standard for Recreational vehicles, ANSI A 119.2, and CSA Z240 RV series recreational vehicle code, as applicable.

LP gas grill models are designed for use with a standard 20 lb. Liquid Propane Gas tank, not included with grill. Never connect your gas grill to an LP gas tank that exceeds this capacity.

Precautions

A tank of approximately 12 inches in diameter by 18-1/2 inches high is the maximum size LP gas tank to use. **You must use an OPD gas tank which offers an Overfill Prevention Device.**

This safety feature prevents the tank from being overfilled which can cause malfunction of the LP gas tank, regulator and/or grill.

The LP gas tank must be constructed and marked in accordance with specifications of the U.S. Dept. of Transportation (DOT). In Canada, the LP gas tank must meet the National Standard of Canada, Can CSA –B339, Cylinders, spheres and Tubes for Transportation of Dangerous Goods and Commission.

1. The LP gas tank must have a shutoff valve, terminating in an LP gas supply tank valve outlet, that is compatible with a Type 1 tank connection device. The LP gas tank must also have a safety relief device that has a direct connection with the vapor space of the tank.
2. The tank supply system must be arranged for vapor withdraw.
3. The LP gas tank used must have a collar to protect the tank valve.

Proper Placement and Clearance of Grill

Never use your gas grill in a garage, porch, shed, breezeway or any other enclosed area. Your gas grill is to be used **outdoors only**, at least 24 inches from the back and side of any combustible surface. Your gas grill should not be used under overhead combustible construction. Do not obstruct the flow of ventilation air around the gas grill housing.

- Do not install this outdoor gas grill in or on recreational vehicles or boats
- Keep outdoor gas grill area clear and free from combustible materials, gasoline and other flammable vapors and liquids
- Do not obstruct the flow of combustion and ventilation air. Check for this each time prior to using grill.
- **Never** connect an unregulated LP gas tank to your gas grill. The gas regulator assembly supplied with your gas grill is adjusted to have an outlet pressure of 11" water column (W.C.) for connection to an LP gas tank.
- Only use the regulator and the hose assembly supplied with your gas grill. Replacement regulators and hose assemblies must be those specified in this manual.

- Have your LP gas tank filled by a reputable propane gas dealer and visually inspected and re-qualified at each filling.
- Do not store a spare LP gas tank under or near this appliance.
- Never fill the tank beyond 80 percent full. If this information is not followed exactly a fire causing death or serious injury may occur.
- Always keep LP gas tanks in an upright position.
- Do not store (or) or use gasoline or other flammable vapors and liquids in the vicinity of this gas grill.
- Do not subject the LP gas tank to excessive heat.
- Never store an LP gas tank indoors. If you store your gas grill in the garage or other indoor location, **always** disconnect the LP gas tank first and store it safely outside.



- Place dust cap on cylinder valve outlet whenever the cylinder is not in use. Only install the type of dust cap on the cylinder valve outlet that is provided with the cylinder valve. Other types of caps or plugs may result in leakage of propane.
- LP gas tanks must be stored outdoors in a well-ventilated area and out of reach of children. Disconnected LP gas tanks must not be stored in a building, garage or any other enclosed area.
- When your gas grill is not in use the gas must be turned off at the LP gas tank.
- The regulator and hose assembly must be inspected before each use of the grill. If there is excessive abrasion or wear or if the hose is cut, it must be replaced prior to the grill being used again.
- Keep the gas regulator hose away from hot grill surfaces and dripping grease. Avoid unnecessary twisting of hose. Visually inspect the hose prior to each use for cuts, cracks, excessive wear or other damage. If the hose appears damaged do not use the gas grill. Call 1-800-4-MY-HOME for a replacement hose.
- **Never** light your gas grill with the lid closed or before checking to ensure the burner tubes are fully seated over the gas valve orifices.
- **Never** allow children to operate your grill.



WARNING

A strong gas smell, or the hissing sound of gas indicates a serious problem with your gas grill or the LP gas tank. Failure to immediately follow the steps listed below could result in a fire or explosion that could cause serious bodily injury, death, or property damage.

- Shut off gas supply to the gas grill.
- Turn the control knobs to OFF position.
- Put out any flame with a proper fire extinguisher.
- Open Grill Lid.
- Get away from the LP gas tank.
- Do not try to fix the problem yourself.
- If odor continues or you have a fire you can not extinguish, call your fire department. Do not call near the LP gas tank because your telephone is a form of electrical device and could create a spark resulting in fire and/or explosion.

NOTE: The normal flow of gas through the regulator and hose assembly can create a humming noise. A low volume of noise is perfectly normal and will not interfere with operation of the grill. If humming noise is loud and excessive you may need to purge air from the gas line or reset the regulator excess gas flow device. This purging procedure should be done every time a new LP gas tank is connected to your grill. For help with this procedure refer to page 14, Item 4 of "If Grill Still Fails To Light", or call the Grill Information Center at 1-800-913-8999.

CAUTION: Beware of Flash-Back

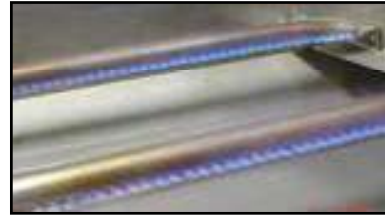
CAUTION: Spiders and small insects occasionally spin webs or make nests in the grill burner tubes during transit and warehousing. These webs can lead to gas flow obstruction which could result in a fire in and around burner tubes. This type of fire is known as "FLASH-BACK" and can cause serious damage to your grill and create an unsafe operating condition for the user.

Although an obstructed burner tube is not the only cause of "FLASH-BACK", it is the most common cause.

To reduce the chance of "FLASH-BACK", you must clean the burner tubes before assembling your grill, and at least once a month in late summer or early fall when spiders are most active. Also perform this burner tube cleaning procedure if your grill has not been used for an extended period of time.

See Cleaning Burner Tubes and Ports on page # 19.

Burner Flame Check



Visually check the burner flames prior to each use. The flames should look like picture, if they do not, refer to the cleaning burner tubes and ports, see page 15 of this manual.

Repair Protection Agreements

Congratulations on making a smart purchase. Your new Kenmore product is designed and manufactured for years of dependable operation. But like all products, it may require repair from time to time. That's when having a Repair Protection Agreement can save you money and aggravation.

Here's what the Repair Protection Agreement * includes:

- ✓ **Expert service** by our 10,000 professional repair specialists
- ✓ **Unlimited service and no charge** for parts and labor on all covered repairs
- ✓ **Product replacement** up to \$1500 if your covered product can't be fixed
- ✓ **Fast help by phone** - we call it Rapid Resolution - phone support from a Sears representative. Think of us as a "talking owner's manual"

Once you purchase the Repair Protection Agreement, a simple phone call is all that it takes for you to schedule service. You can call anytime day or night, or schedule a service appointment online.

The Repair Protection Agreement is a risk-free purchase. If you cancel for any reason during the product warranty period, we will provide a full refund. Or, a prorated refund anytime after the product warranty period expires.

Purchase your Repair Protection Agreement today!

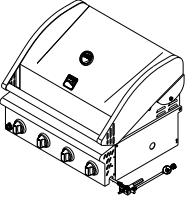


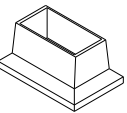
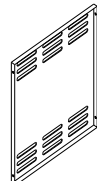
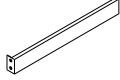


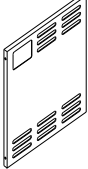
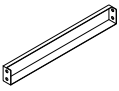
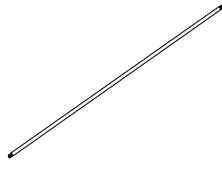
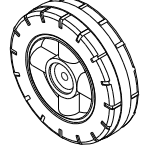
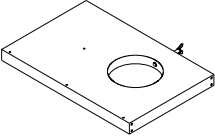
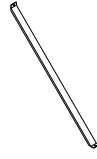
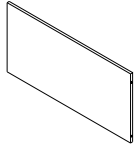
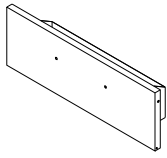
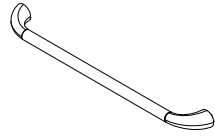
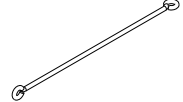
Some limitations and exclusions apply. For prices and additional information in the U.S.A. call 1 -800-827-6655.

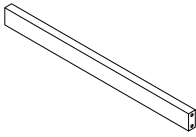
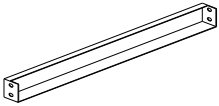
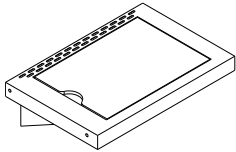
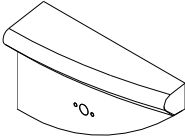
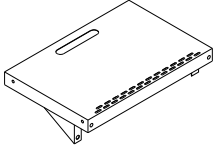
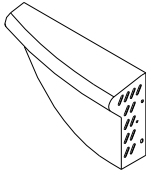

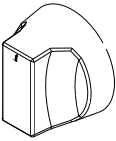

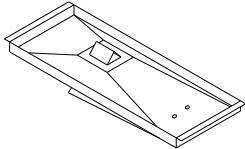
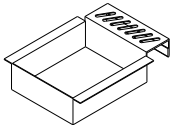
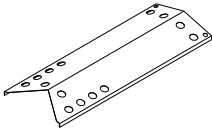
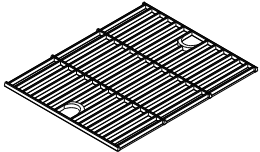
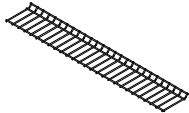

***Coverage in Canada varies on some items. For Full details call Sears Canada at 1-800-361-6665**

Sears Installation Service

For Sears professional installation of home appliances, garage door openers, water heaters, and other major home items, in the U.S.A. or Canada call **1-800-4-MY-HOME.**

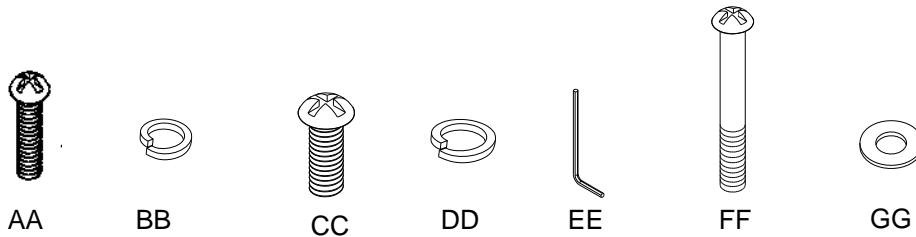
PACKAGE CONTENTS LIST

<p>A. Firebox-----1pc.</p> 	<p>B. Cart Leg, Front Left-----1pc.</p> 	<p>C. Cart Leg, Back Left----1pc.</p> 
<p>D, Cart Leg Foot----2pcs.</p> 	<p>E. Side panel, Left----1pc.</p> 	<p>F. Cart Brace, Left-----1pc.</p> 
<p>G. Cart Leg, Front Right-----1pc.</p> 	<p>H. Cart Leg, Back Right-----1pc.</p> 	<p>I. Side panel, Right----1pc.</p> 
<p>J. Cart Brace, Right-----1pc.</p> 	<p>K. Wheel Axle-----1pc.</p> 	<p>L. Wheel-----2pcs.</p> 
<p>M. Bottom Panel -----1pc.</p> 	<p>N. Diagonal Bar Barrier ---1pc.</p> 	<p>O. Front Panel-----1pc.</p> 
<p>P. Tool Storage Front Panel -----1pc.</p> 	<p>Q. Tool Storage Handle----1pc.</p> 	<p>R. Tool Storage Slide-----2pcs.</p> 

<p>S. Cart Beam, Front-----1pc.</p> 	<p>T. Cart Beam, Back-----1pc.</p> 	<p>U. Side Burner-----1pc.</p> 
<p>V. Side Burner Front Panel-----1pc.</p> 	<p>W. Side Shelf-----1pc.</p> 	<p>X. Side Shelf Front Panel--1pc.</p> 
<p>Y. Bezel-----1pc</p> 	<p>Z.. Control Knob-----1pc</p> 	<p>ZA.. 1.5 Volt "AA" Size Alkaline Battery-----1pc.</p> 
<p>ZB. Grease Tray -1pc.</p> 	<p>ZC. Grease Cup-----1pc</p> 	<p>ZD. Heat Diffuser-----4pcs.</p> 
<p>ZE. Cooking Grid-----2pcs.</p> 	<p>ZF. Warming Rack-----1pc.</p> 	<p>ZG. Manual Lighting Stick-----1pc.</p> 

Hardware Pack Contents

Pack	Description	Required for assembly (pcs)
AA	5/32-in. x 8-mm Round Head Screw	38
BB	5/32-in. Lock Washer	38
CC	1/4-in. x 10-mm Round Head Screw	16
DD	1/4-in. Lock Washer	16
EE	Allen Key	1
FF	1/4-in. x 65-mm Round Head Screw	8
GG	1/4-in. Flat Washer	8

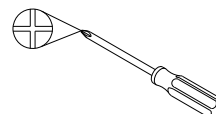


Preparation

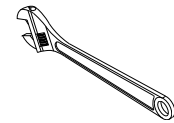
Before beginning assembly, make sure all parts are present. Compare parts with package contents list and diagram above. If any part is missing or damaged, do not attempt to assemble the product. Contact customer service for replacement parts.

- Tools required for Assembly.

Phillips Screwdriver (not included) and Wrench (not included).



Phillips Screwdriver



Wrench

- Note: The grill left and right sides of the grill are on your left and right as you face the front of the grill.

Assembly Instructions

UNPACKING

CAUTION: Obtain the aid of an assistant when handling large or heavy grill components.

1. Remove all packing material from around grill exterior.
2. Open Firebox lid and remove packing materials and components from inside Firebox.
3. With the aid of an assistant, lift the Firebox out of the shipping box and place on protected flat surface. Be careful not to damage hose and regulator.
4. Refer to Parts Lists to check that all parts are present.
5. Inspect the grill for damage as you assemble it. Do not assemble or operate the grill if it appears damaged. If there are damaged or missing parts, call the Grill Information Center at 1-800-913-8999.

IMPORTANT: Refer to the package Contents and Hardware Contents on page 5, 6 and 7 when assembling Grill Cart.

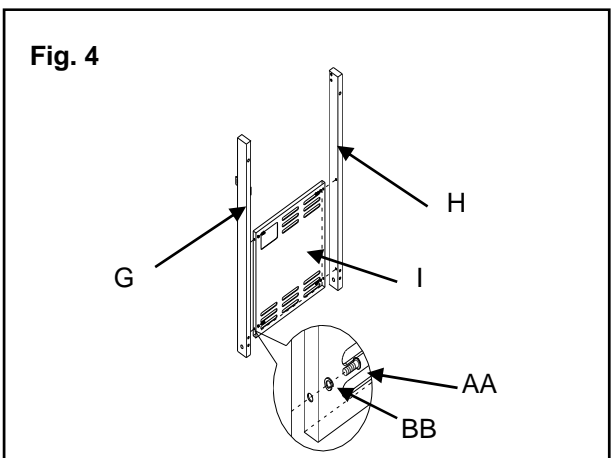
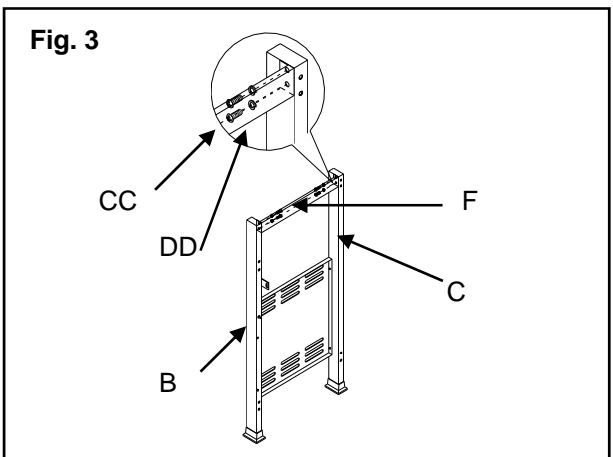
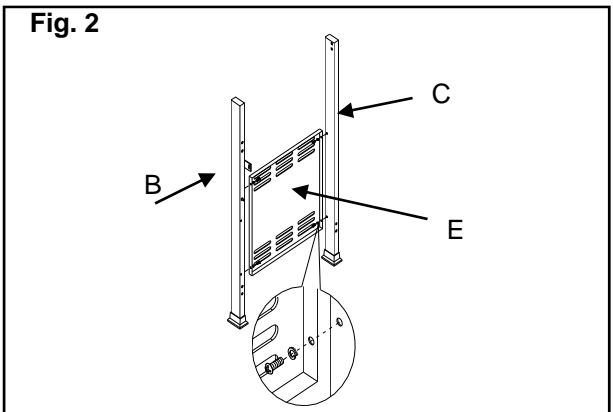
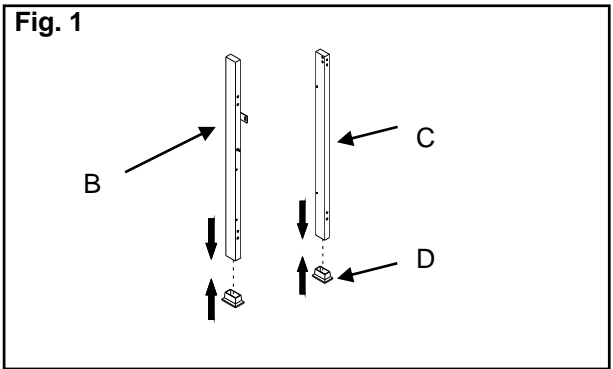
1. Grill Cart Assembly

a) Insert a Cart Leg Foot (D) into the Cart Leg, Front Left (B) and into Cart Leg, Back Left (C). See Fig. 1.

b). Use 4 AA Round Head Screws and 4 BB Lock Washers to attach Side Panel, Left (E) to Cart Leg, Back Left (C) and Cart Leg, Front Left (B). Attach so that flat surface of Side Panel will be on Grill exterior. See Fig. 2.

c). Use 4 CC Round Head Screws and 4 DD Lock Washers to attach Cart Brace, Left (F) to Cart Leg, Front Left (B) and Cart Leg, Back Left (C). Attach Cart Brace so that flat side will face Cart Interior and wide lip faces down. See Fig. 3.

d). Using 4 AA Round Head Screws and 4 BB Lock Washers to attach Side Panel, Right (I) to Cart Leg, Back Right (H) and Cart Leg, Front Right (G). Attach so that flat surface of Side Panel will be on Grill Exterior. See Fig. 4.



e). Use 4 CC Round Head Screws and 4 DD Lock Washers to attach Cart Brace, Right (J) to Cart Leg, Front Right (G) and Cart Leg, Back Right (H). Attach Cart Brace, Right (J) so that lat side will face cart interior and wide lip faces down. See Fig. 5.

2. Wheel Assembly

Remove Flat Washers and Nuts from the ends of Wheel Axle (K). Insert Wheel Axle (K) through Cart Leg, Front Right (G) and Cart Leg, Back Right (H). Place Wheel (L), cone side facing Leg, on each end of Axle. Secure Wheels to Axle with previously removed Washers and Nuts. See Fig. 6.

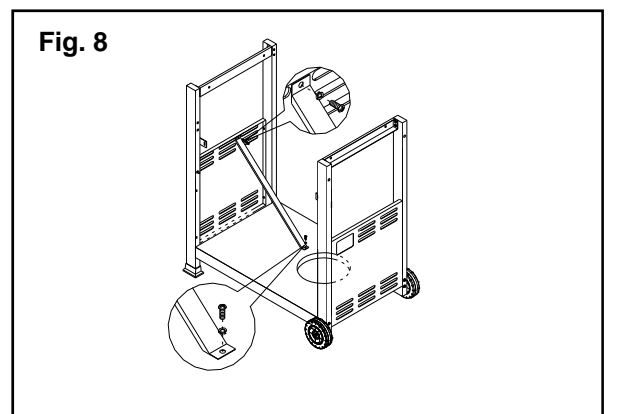
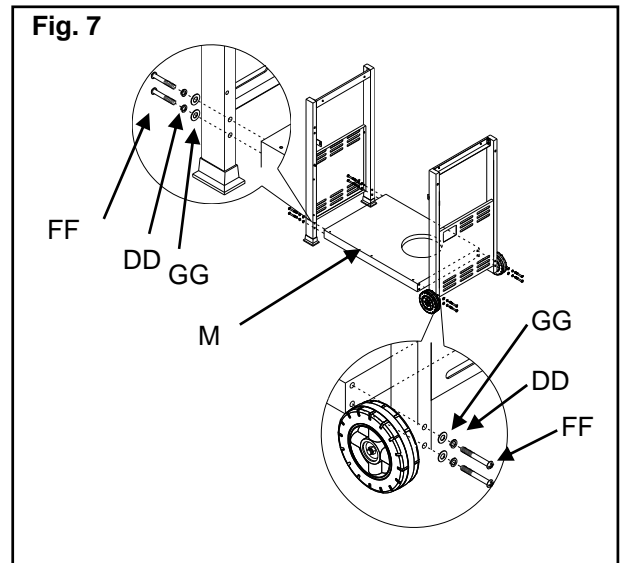
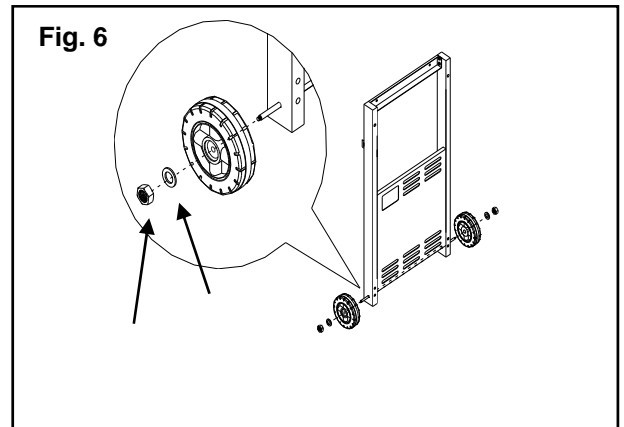
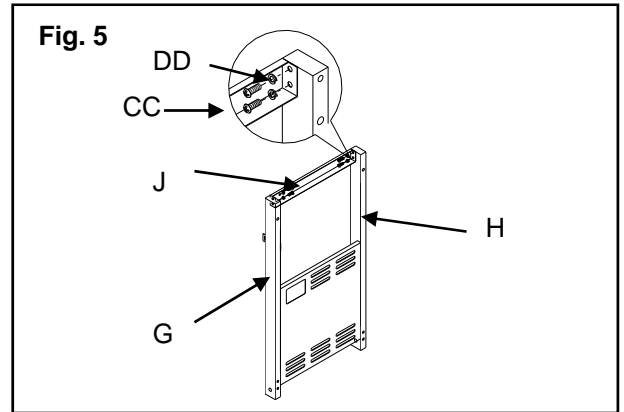
3. Bottom Panel Assembly

a) Use 4 FF Round Head Screws, 4 DD Lock Washers and 4 GG Flat Washers to attach and securely tighten the bottom of the left cart legs (B & C) to the Bottom Panel (M). See Fig. 7.

b) Repeat step 3a) to attach & securely tighten Bottom Panel (M) to Right Cart Legs (G & H)

4. Gas Tank Barrier Bar Assembly

Use 2 AA Round Head Screws and 2 BB Lock Washers to secure Gas Tank Barrier Bar to the Left Side panel (E) and Bottom Panel (M). See Fig. 8.



5. Front Panel Assembly

Use 2 AA Round Head Screws and 2 BB Lock Washer to attach the Front panel (O), to the Front Left Cart Leg (B). Do not attach Front Panel to Front Right Cart Leg (E) at this time. See Fig. 9.

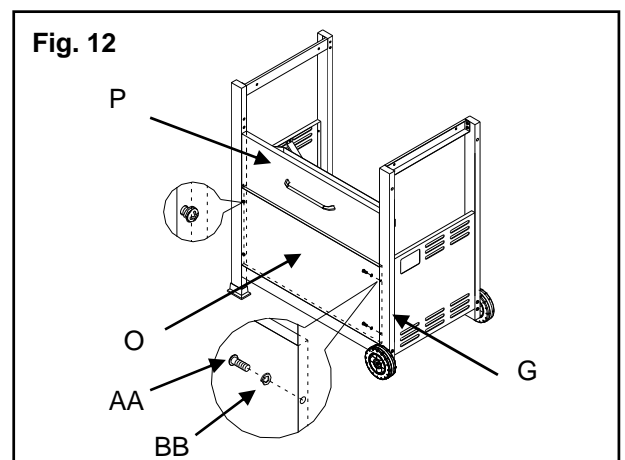
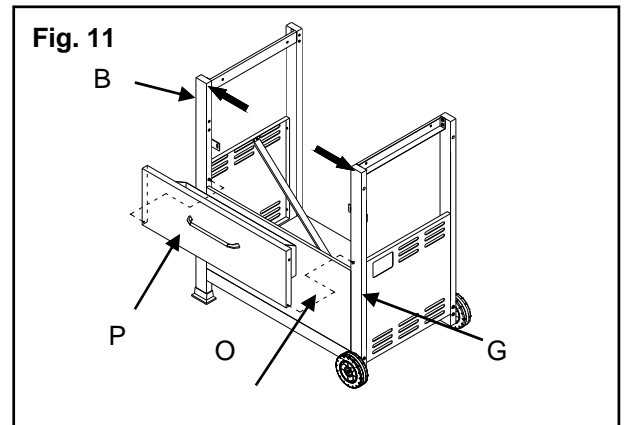
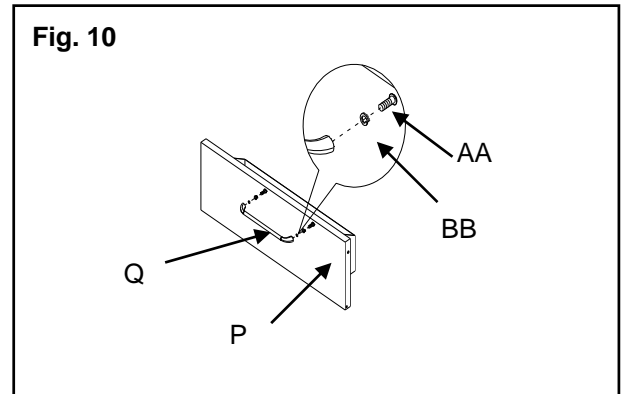
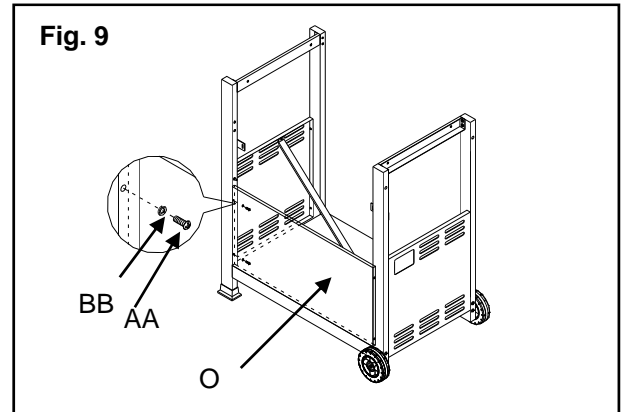
Note: Attach Side Panel so that flat surface in on grill exterior.

6. Tool Storage Assembly

a). Use 2 AA Round Head Screws and 2 BB Lock Washers to attach the Tool Storage Handle (Q) to Tool Storage Front Panel (P). See Fig. 10.

b). Slide holes at bottom corners of Tool Storage Front Panel (P) over hinge pins on Front Right Cart Leg (G) and Front Left Cart Leg (B) as shown in Fig.11,

c). Use 2 AA Round Head Screws and 2 BB Lock Washers to secure right side of Front Panel to Front Right Cart Leg (G). See Fig 12.



6. Tool Storage Slide Assembly

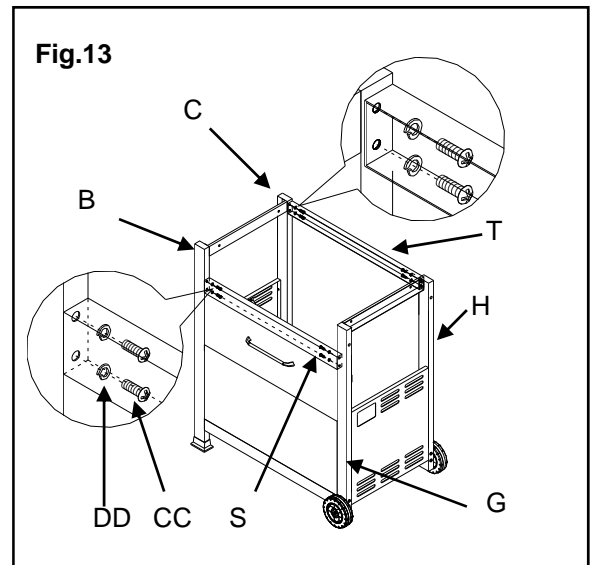
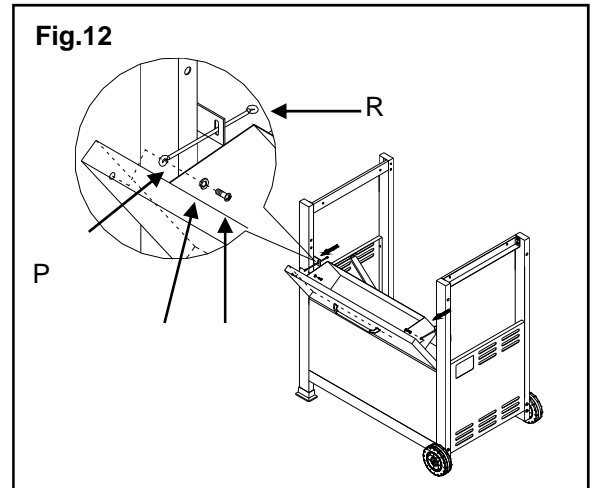
Draw Tool Storage Front Panel forward, and insert two Tool Storage Slides (R) through the slots in tabs on Front Left and Front Right Cart Legs. Remove the Round Head Screw from each Cart Leg. Use these Screws to attach forward loophole ends of Slides to Cart Legs. See Fig. 12.

7. Cart Beam, Front and Cart Beam Back Assembly

a). Use **4 AA** Round Head Screws and **4 BB** Lock Washers to connect the Cart Beam, Front (S) to Front Left Cart Leg (B) and Front Right Cart Leg (G). See Fig. 13.

NOTE : Attach Cart Beam so that flat surface in on Cart exterior.

b). Use 4 AA Round Head Screws and 4 BB Lock Washers to connect the Cart Frame, Back (T) to Back Left Cart Leg (C) and Back Right Cart Leg (H). See Fig. 13.



8. Firebox Assembly

NOTE: Obtain the aid of an assistant to lift the firebox. Be sure the hose and regulator hang outside the cart when placing Firebox. See Fig. 14.

a). With the aid of an assistant, lift the Firebox and carefully place it onto the grill cart see Fig.14.

b) Raise firebox lid and from inside the Firebox use 4 CC Round Head Screws and 4 DD Lock Washers to attach the sides of Firebox to Cart Brace, Left (F) and Cart Brace, Right (J). Raise Firebox slightly to align holes for inserting and tightening screws. See Fig. 15.

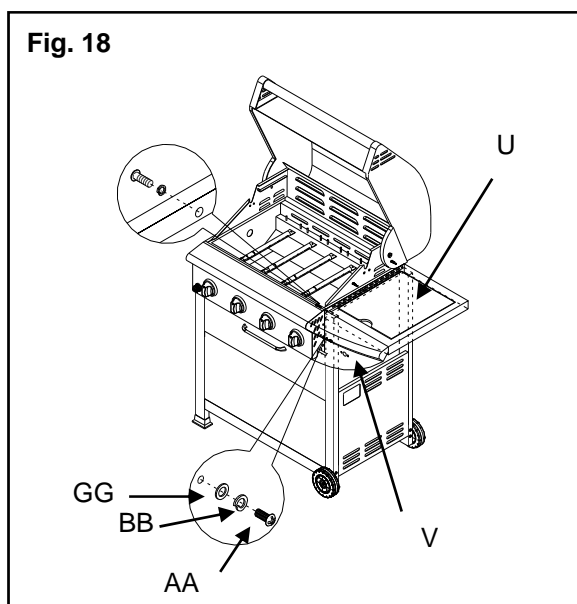
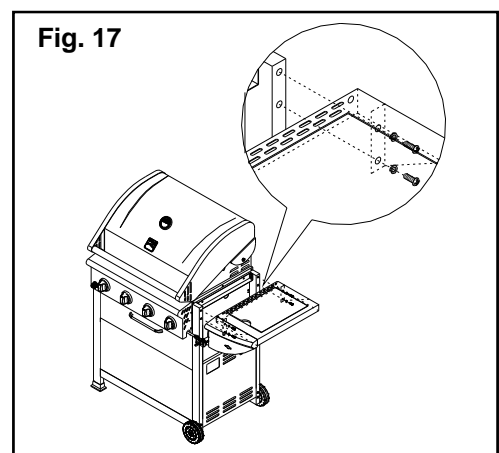
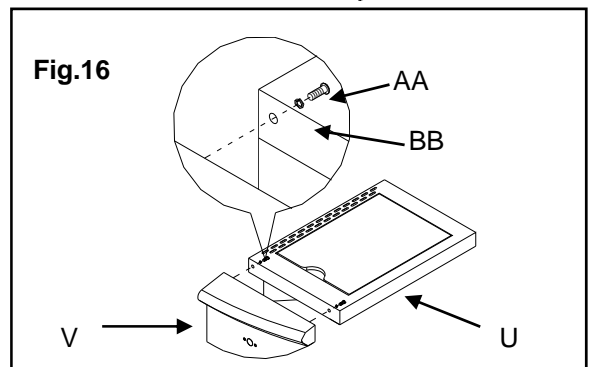
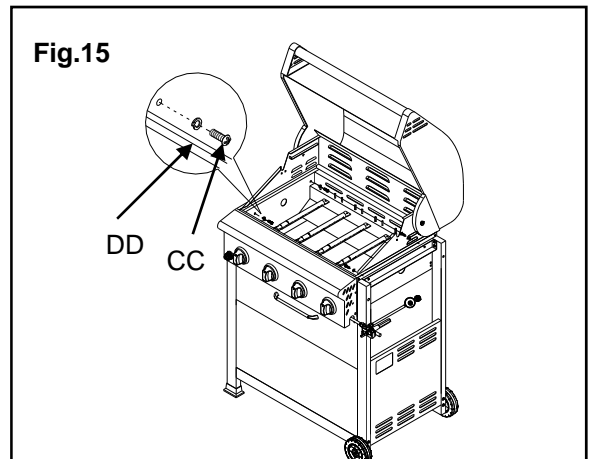
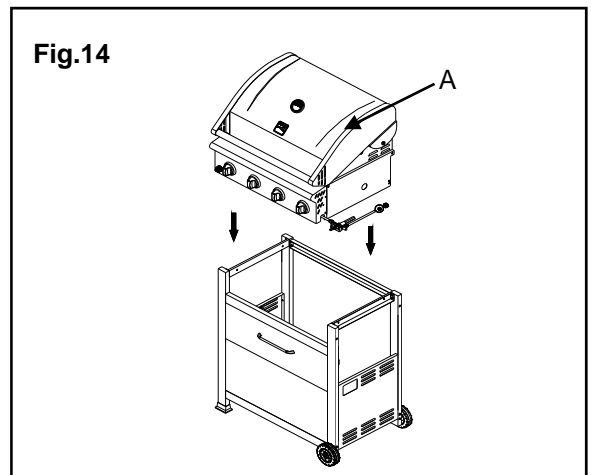
9. Side Burner Shelf Assembly

a). Use 2 AA Round Head Screws and 2 BB Lock Washers to attach Side burner front panel (V) to Side Burner (U). See Fig. 16.

b) Align the holes on Side Burner (U) with the holes on the side of Front Right Cart Leg (G) and Rear Right Cart Leg (H), and attach with 4 AA Round Head Screws and 4 BB Lock Washers. See Fig. 17. Note: Do not fully tighten the four screws at this point

c) Align the holes on Side Burner (U) with the holes on the side of firebox, and attach from inside of firebox using 2 CC Round Head Screws and 2 DD Lock Washers. See Fig. 18

d) Connect Side Burner front panel (V) to Main control Panel with 1 AA Round Head Screw (AA) and 1 BB Lock Washer and 1 GG Flat Washer. See Fig. 18.



10. Side Shelf Assembly

a) Use 2 AA Round Head Screws and 2 BB Lock Washers to attach Shelf Front Panel (X) to Left Side Shelf (W). See Fig 19.

b) Align the holes on Side Shelf (W) with the holes on side of Front Left Cart Leg (B) and Rear Left Cart Leg (C), and attach using 4 AA Round Head Screws and 4 BB Lock Washers. See Fig. 20.

c) Align the holes on Side Shelf (W) with the holes inside of Firebox, and attach from inside of firebox using 2 CC Round Head Screws and 2 DD Lock Washers. See Fig. 21.

d). Connect Side Shelf Front Panel (X) to Main Control Panel With 1 AA Round Head Screw, 1 BB Lock Washer and 1 GG Flat Washer. See Fig. 21.

Fig. 19

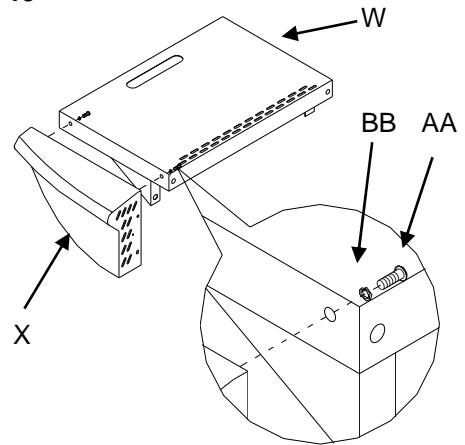


Fig. 20

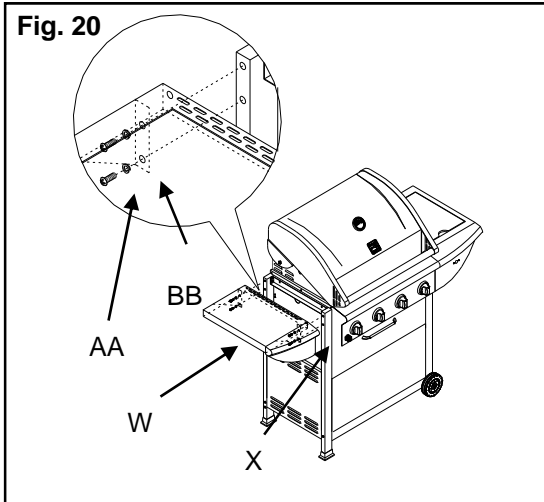
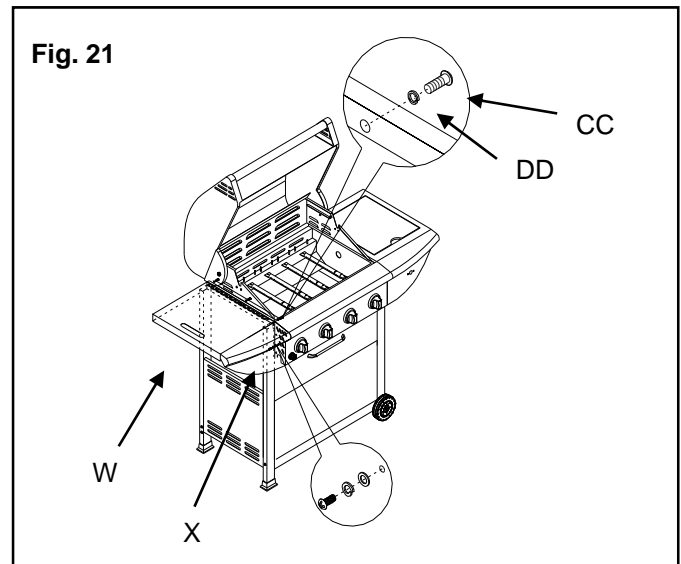
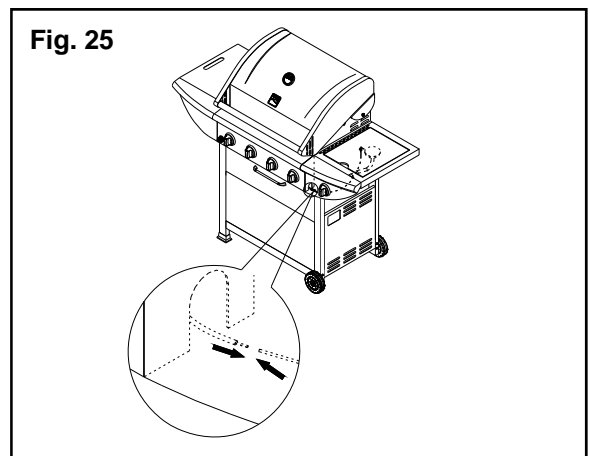
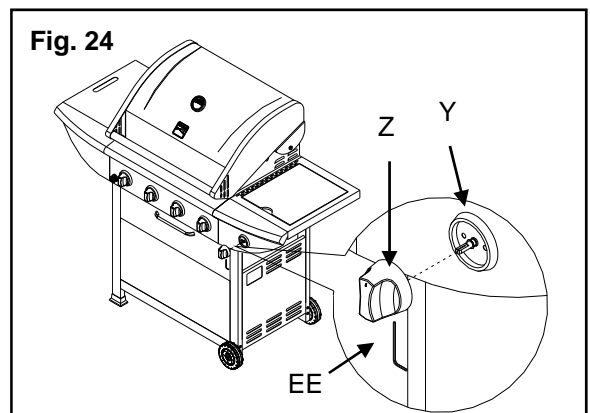
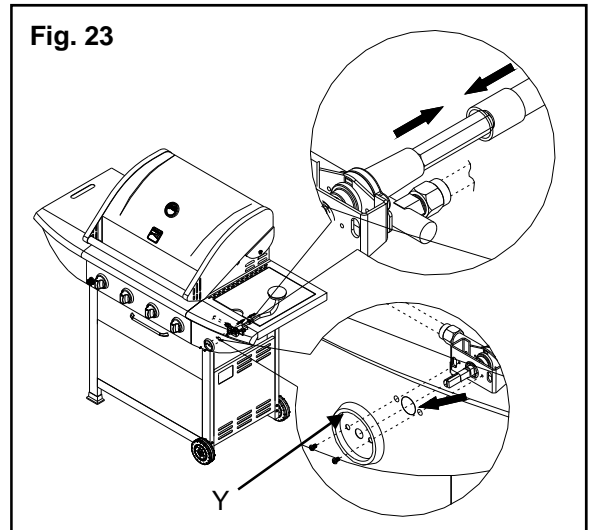
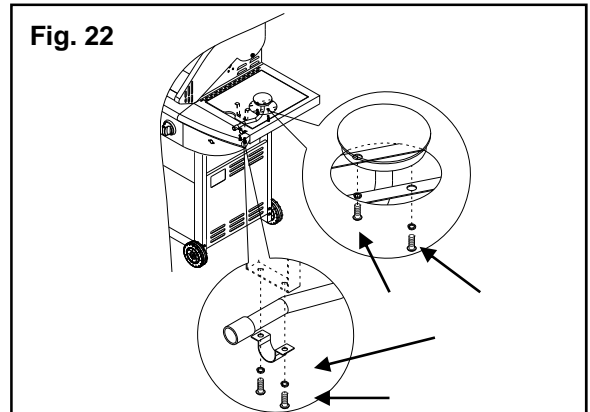


Fig. 21



12. Side Burner Valve Installation

- a). Loosen but do not remove the two Side Burner attachment screws and washers beneath the Side Burner Bowl. In addition, remove the 2 bracket screws on the Side Burner Tube. See Fig. 22.
- b). Remove two small screws pre-attached to the front of Side Burner Valve. From back of front panel, first push Valve Control Stem through front panel hole, and then insert Side Burner Valve into hole in end of Side Burner Tube. Place the Bezel (Y) over the Valve Control Stem, and attach Bezel to Front Panel and Valve with previously removed 2 screws and washers. See Fig. 23.
- c). Push Side Burner Control Knob (Z) onto Valve Control Stem. Insert supplied Allen Key (EE) into set screw in Knob and tighten to Stem. See Fig. 24
- d). Connect the ignition wire tip coming from the Side Burner to the wire tip coming from Main control panel. See Fig. 25.



13. Electronic Ignition Battery Installation

Unscrew the electronic ignition button and place the battery (ZA) into the housing with the positive terminal (+) facing outward. Replace the ignition button. See Fig. 26.

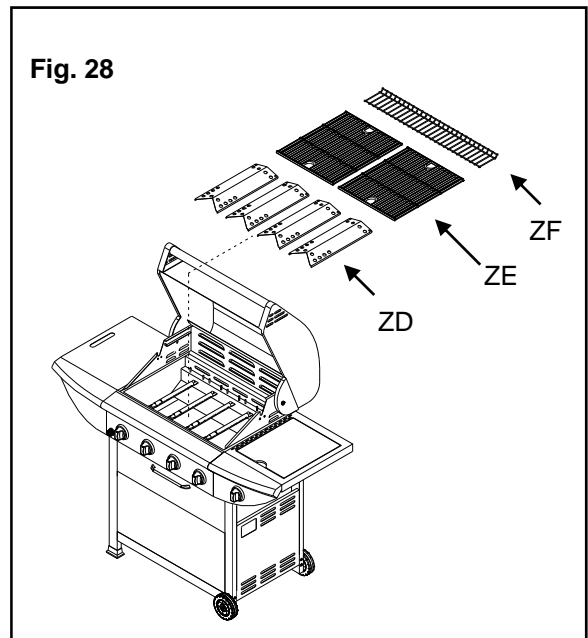
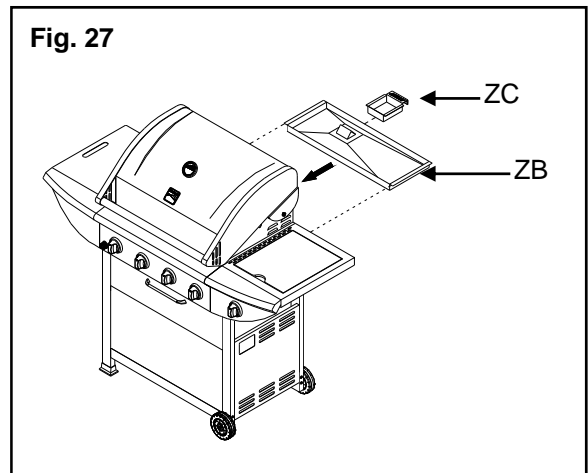
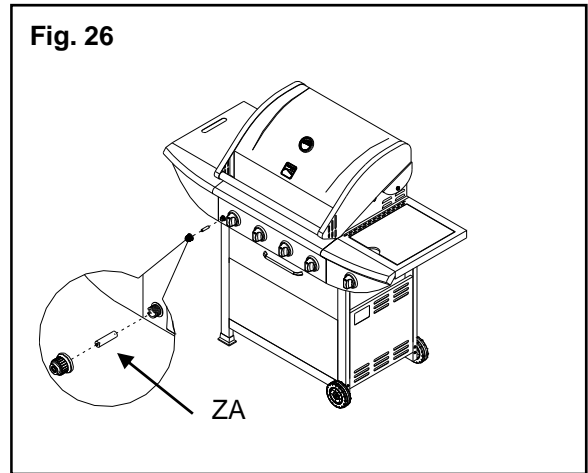
14. Install the Grease Tray and Grease Cup

Install the Grease Tray (ZB) from the rear of the grill by sliding it onto glides beneath Grill. Center Grease Tray beneath burners. Insert Grease Cup (ZC) into Grease Tray. See Fig. 27. Note: When correctly inserted, Grease Tray Funnel must not be over hole for Gas Tank in Bottom Panel

15. Installing Cooking Components

Important: Before cooking on your grill the first time, wash cooking grids and cooking rack with warm , soapy water. Rinse and dry thoroughly. Season with cooking oil regularly. After cooking is completed, turn grill to HIGH setting for 3 to 5 minutes to burn off excess grease or food residue.

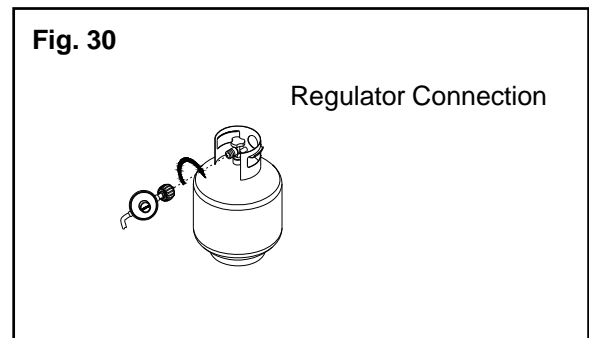
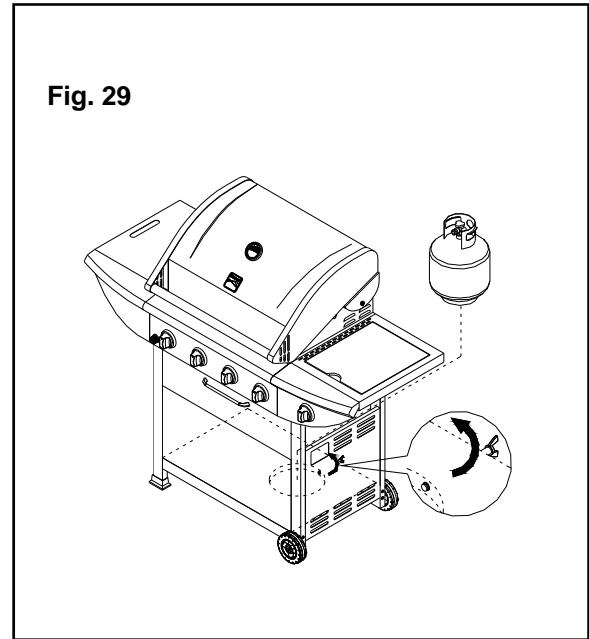
- Install Heat Diffusers (ZD) above burners so that holes in diffuser corners attach onto pegs in the back ledge of firebox. See Fig. 28.
- Evenly space Cooking Grids (ZE) on the ledge above heat diffusers. See Fig.28.
- Insert Warming rack (ZF) into top of grill with raised edge to back of grill. See Fig.28.



16. Connecting LP Gas Tank to LP Grill

1. From Rear of cart, place the foot ring of a 20-lb Propane Tank into the hole in bottom panel (M). Make sure the tank valve is in OFF position. Use the tank bolt to secure the tank in a fixed position with tank valve facing out to side of Cart (Fig. 29).
2. Check the tank valve to ensure it has proper external mating threads to fit the hose and regulator assembly provided.
3. Make sure all grill burner valves are in OFF position.
4. Inspect the tank valve connection port and grill regulator assembly. Look for damage or debris. Remove any debris. Inspect hose for damage. Never use damaged or plugged equipment.
5. When connecting regulator and hose assembly to tank valve hand tighten quick coupling nut clockwise to a full stop (Fig. 30) Do not use a wrench to tighten because it could damage the quick coupling nut and result in a hazardous condition.
6. Open tank valve fully (counterclockwise) once tank and regulator are securely connected. Use a soapy water solution to check all connections for leaks before attempting to light your grill. If a leak is found, turn tank valve off and do not use your grill until the leak is repaired.

CAUTION: When the appliance is not in use, gas must be turned off at the supply tank.



Congratulations

Your Kenmore gas grill is now ready for use. Before the first use and at the beginning of each season (and whenever the LP gas tank has been changed):

1. Read all safety, lighting and operating instructions.
2. Check gas valve orifices, burner tubes and burner ports for any obstructions.
3. Perform gas leak check according to instructions found on next page of the manual.

Checking for LP gas leaks

Never test for leaks with a flame. Prior to first use, at the beginning of each season, or every time your LP gas tank is changed, you must check for gas leaks.

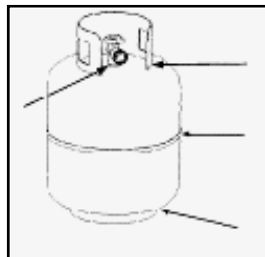
1. Make a 50/50 (soap/water) mild soap solution.
2. Turn the control knobs to full OFF position; then turn gas ON at supply tank.
3. Apply the soap solution with a clean brush to all gas connections. See below. If growing bubbles appear in the solution the connections are not properly sealed. Check each fitting and tighten or repair as necessary.

Gas Connection Leak Check



4. If you have a gas connection leak you cannot repair, turn gas OFF at supply tank, disconnect fuel line from your grill and call 1-800-913-8999 or your gas supplier for repair assistance.
5. Also apply soapy solution to the tank seams. See below. If growing bubbles appear, shut tank OFF and do not use or move it! Contact an LP gas supplier or your fire department for assistance.

Gas Tank Leak Check



Grill Lighting Instruction

Grill Lighting Instructions for Main Burners

1. Do not smoke while lighting grill or checking gas supply connections.
2. Be sure that LP gas tank is sufficiently full.



WARNING

Failure to open grill lid during the lighting procedure could result in a fire or explosion that could cause serious bodily injury, death, or property damage.

3. Be sure all gas connections are securely tightened.
4. Open the grill main lid.
5. Push and turn any main burner control knob to HI position. Push Electronic Ignition button for 3 to 5 seconds to light burner.



6. If the burner does not light after 5 seconds, turn knob to OFF. Turn gas OFF at LP tank and wait 5 minutes for gas to clear. Then turn gas ON at tank and repeat step 5
7. If burner still does not light, see Match Lighting section and If Grill Still Fails to Light section on following page.
8. To light additional burners, turn burner knob(s) to HI position. Push and hold electronic ignition button to light burner. Adjust knob(s) to desired setting.

USING THE SIDE BURNER:

Inspect the gas supply hose prior to turning the gas "ON". If there is evidence of cuts, wear or abrasion, it must be replaced prior to use. Do not use the side burner if the odor of gas is present.

WARNING: Always keep your face and body as far away from the burner as possible when lighting.

LIGHTING INSTRUCTIONS FOR SIDE BURNER

1. Open side burner lid fully.
2. Push and turn side burner knob to HI position. Push and hold Electronic Ignition button for 3-5 seconds to light burner.
3. If the side burner does not light after 5 seconds, turn knob to OFF. Turn gas OFF at LP tank and wait 5 minutes for gas to clear. Then turn gas ON at tank and repeat step 2.
4. If burner still does not light, see Match Lighting section and If Grill Still Fails to Light Section on following page.




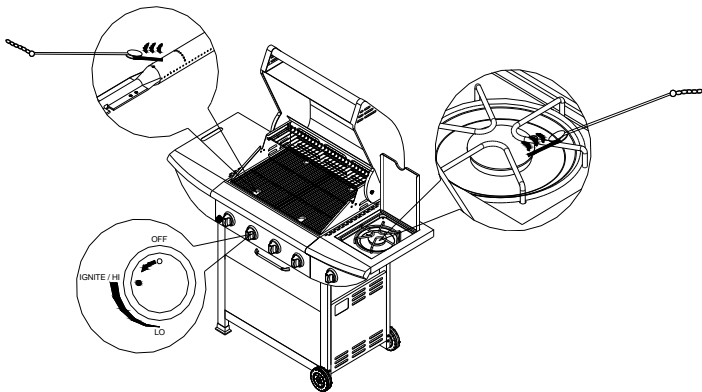


WARNING

Never lean over the grill cooking area while lighting your gas grill. Keep your face and body a safe distance (at least 18 inches) from the cooking grid surface when lighting your grill by match.

Manually Lighting Your Grill by Match

1. Insert a match into the manual lighting stick.
2. Follow steps 1 through 5 of the Basic Lighting Procedure.
3. Light the match and extend the lighting stick to cooking grid surface.
4. Turn the desired control knob to the  HI position setting to release gas. The burner should light immediately.



WARNING

Should a “FLASH-BACK” fire occur in/or around the burner tubes, follow the instructions below. Failure to comply with these instructions could result in a fire or explosion that could cause serious bodily injury, death, or property damage.

- Shut off gas supply to the gas grill.
- Turn the control knobs to OFF position.
- Put out any flame with a proper fire extinguisher.
- Open grill lid.
- Once the grill has cooled down, clean the burner tubes and burners according to the cleaning instructions found on page 19.

If Grill Still Fails To Light

1. Check gas supply and connections for leaks. Check that all wire connections are secure.

2. Repeat basic lighting procedure. If your grill still fails to operate, turn the gas off at source, turn the control knobs to OFF, then check the following:

- Misalignment of burner tubes over orifices

Correction: Reposition burner tubes over orifices.

- Plugged orifice

Correction: Remove burners from grill, carefully lift each burner up and away from gas valve orifice. Remove the orifice from gas valve and gently clear any obstruction with a fine wire. Then reinstall all orifices, burners, and cooking components.

3. If an obstruction is suspected in grill burner valves, please call for repair service at 1-800-4-MY-HOME.

4. If the grill still does not light you may need to purge air from the gas line or reset the regulator excess gas flow device. **Note:** This procedure should be done every time a new LP gas tank is connected to your grill.

To purge air from your gas line and/or reset the regulator excess gas flow device:

- Turn all control knobs to the OFF position.
- Turn off the gas at the tank valve.
- Disconnect regulator from LP gas tank.
- Let unit stand for 5 minutes.
- Reconnect regulator to the LP gas tank.
- Turn the tank valve on slowly until $\frac{1}{4}$ to $\frac{1}{2}$ open.
- Open the grill lid.
- Push and turn any control knob to HIGH.
- Turn control knobs to HIGH until all the burners are lit
- You may start to use the grill

5. If all checks or corrections have been made and you still have questions about operating your gas grill, call the **Grill Information Center at 1-800-913-8999**

Cleaning and Maintenance

To ensure a proper working unit the following proper care and maintenance is suggested.

Cleaning Cooking Grids

We suggest you wash your cooking grids in a mild soap and warm water solution. You can use a wash cloth or soft brush to clean your cooking grids.

Cleaning Heat Diffusers

Periodically you should wash the heat diffusers in a soap and warm water solution. Use a soft brush to remove stubborn burnt-on cooking residue. The heat diffusers should be dry before you reinstall them.

Cleaning Grease Tray

The grease tray should be emptied and wiped down periodically and washed in a mild detergent and warm water solution. A small amount of sand or cat litter may be placed in bottom of grease tray to absorb the grease. Check the grease tray frequently, don't allow excess grease to accumulate and overflow out of the grease tray.

Annual Cleaning of Grill Interior

Burning-off the grill after every use will keep it ready for your next use. However, once a year you should give the entire grill a thorough cleaning to keep it in top operating condition. Follow these steps.

1. Turn all burner valves to full OFF position.
2. Turn LP gas tank valve to full OFF position.
3. Detach LP gas hose and regulator assembly from your gas grill. Inspect for any damage and replace as necessary with manufacturer replacement part number found on parts list.
4. Remove and clean heat diffusers, cooking grids and grill burners.
5. Cover each gas valve orifice with aluminum foil.
6. Brush inside and bottom of grill with a nylon brush, and wash with a mild soap and warm water solution. Rinse thoroughly and let dry.
7. Remove the aluminum foil, then reinstall heat diffusers, and cooking grids.
8. Reconnect gas source and observe burner flame for correct operation.

Cleaning Exterior Surface

•We suggest you wash your grill using a mild soap and warm water solution. You can use a wash cloth or sponge for this process. Do not use abrasives or a brush that might remove finish during the cleaning process.

Cleaning Exterior Stainless Steel Surfaces

•Weathering and extreme heat can cause exterior stainless steel surfaces to turn tan in color. Machine oils used in manufacturing process of stainless steel can also cause this tanning color. Use a stainless steel cleaner to polish stainless steel surfaces of your grill. Never use abrasive cleaners or scrubbers because they will scratch and damage your grill.

Cleaning Burner Tubes and Burner Ports

To reduce the chance of "FLASH-BACK" the procedure below should be followed at least once a month in late summer or early fall when spiders are most active or when your grill has not been used for a period of time.

1. Turn all burner valves and gas tank valve to off position.
2. Detach the LP gas regulator assembly from your gas grill.
3. Remove cooking grids, heat diffusers, and grease tray from the grill.
4. Remove the screws from the underside of each burner and lift the burners up and away from the gas valve orifice.
5. Using a bent stiff wire in the shape of a hook, air hose or a bottle brush, run it through the burner tube and inside several times to remove any debris.
6. Replace burners, see illustration below.

Step 1. Locate the burner onto the orifice.

Step 2. Secure the main burner on the back wall of fire box with 2 screws.



WARNING

The location of the burner tube with respect to the orifice is vital for safe operation. Check to ensure the orifice is inside the burner tube before using the gas grill. If the burner tube does not fit over the valve orifice, lighting the burner may cause explosion and/or fire.

Regardless of which burner cleaning procedure you use, we recommend you also complete the following steps to help prolong burner life.

1. Use a fiber pad or nylon brush to clean the entire outer surface of each burner until free of food residue and dirt.
2. Clean any clogged ports with a stiff wire, such as an open paper clip.

3. Inspect each burner for damage (cracks or holes) and if such damage is found, order and install a new burner. After installation check to ensure that gas valve orifices are correctly placed inside the ends of the burner tubes.

 **WARNING**

Spiders and insects can nest inside the burners of the grill and disrupt gas flow. This very dangerous condition could cause a fire behind the valve panel, thereby damaging the grill and making it unsafe for operation. Inspect the grill at least twice a year.

Troubleshooting

BEFORE CALLING FOR SERVICE

If the grill does not function properly, use the following check list before calling for service.

You should inspect the burners at least once a year or immediately after any of the following conditions occur:

PROBLEMS	WHAT TO DO
Grill won't light when the control knob is rotated.	<p>Check to see if LP tank is empty.</p> <p>Clean wires and/or electrode by rubbing with alcohol and clean swab.</p> <p>Wipe with dry cloth.</p> <p>Make sure the wire is connected to electrode assembly.</p> <p>Do other burners on the unit operate?</p> <p>Check to see if other burners operate. If so, check the gas orifice on the malfunctioning burner for an obstruction.</p>
Burner flame is yellow or orange, in combination with the odor of gas.	<p>Refer to Clean Burner Tubes and Burner Ports on page 19. If problem still exists, please call 1-800-913-8999.</p>
Low heat with knob in "HI" position.	<p>Is the fuel hose bent or kinked?</p> <p>Is the grill in a dusty area?</p> <p>Is there adequate gas supply available?</p> <p>If it is only one burner that appears low, does the orifice or burner need cleaning?</p> <p>Is the gas supply or gas pressure low?</p>

Cooking Instructions



WARNING

Do not leave the grill unattended.

Your grill will get very hot. Never lean over the cooking area while using your grill. Do not touch cooking surfaces, grill housing, Grill Lid or any other grill parts while the grill is in operation, or until the grill has cooled down after use. Failure to comply with these instructions may result in serious bodily injury.

Burn-off

Before cooking on your gas grill for the first time, you will want to “burn off” the grill to eliminate any odor or foreign matter. Just ignite the burners, lower the Lid, and operate grill on the HIGH setting for 3 to 5 minutes.

Cooking Temperatures

High setting: Only use this setting for fast warm-up, searing steaks or chops and for burning food residue off the grill after cooking is complete. **Never** use the HIGH setting for extended cooking.

Medium to Low Settings: Most recipes specify medium to low settings, including all smoking, rotisserie cooking and for cooking lean cuts such as fish.

NOTE: Temperature settings will vary with the temperature and the amount of wind outside your home.

Direct Cooking

The direct cooking method can be used with the supplied cooking grids and food placed directly over the lit grill Burners. The method is ideal for searing and whenever you want meat, poultry or fish to have an open-flame barbecued taste. Deep frying and smoking are also best cooked in this manner because they require direct heat.



WARNING

Do not line the bottom of the grill housing with aluminum foil, sand or any substance that will restrict the flow of grease into the grease tray. Failure to comply with these instructions could result in a fire or explosion which could cause serious bodily injury, death, or property damage.

Indirect Cooking

To cook **indirectly**, the food should be placed on the left or right side of your grill with the burner lit on the opposite side.

Flare-ups

The fats and juices dripping from grilled food can cause flare-ups. Since flare-ups impart a favorably distinctive taste and color to food cooked over an open flame, they should be accepted up to a point. Nevertheless, uncontrolled flaring can result in a ruined meal.

Grill Cooking Chart

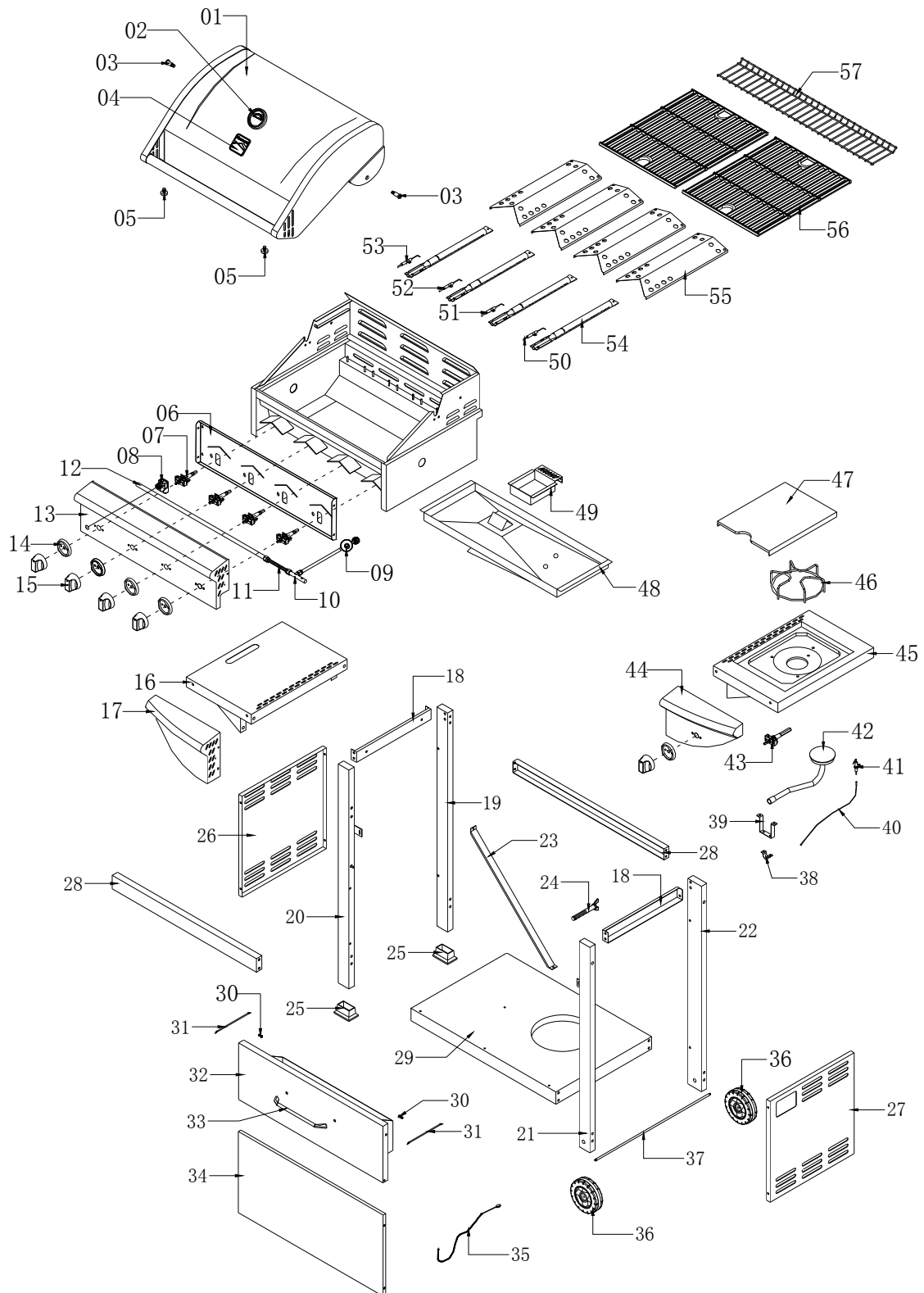
WARNING: To ensure that it is safe to eat, food must be cooked to the minimum internal temperatures listed in the table below.

USDA* Safe Minimum Internal Temperatures	
Fish	145° F
Pork	160° F
Egg Dishes	160° F
Steaks and Roasts of Beef, Veal or Lamb	145° F
Ground Beef, Veal or Lamb	160° F
Whole Poultry (Turkey, Chicken, Duck, etc.)	165° F
Ground or Pieces Poultry (Chicken Breast, etc.)	165° F

* United States Department of Agriculture

FOOD	Weight or thickness	Temperature	Time	Special instructions and tips
Vegetables	NA	Medium	8 to 20 minutes	Slice or chop vegetables and dot with butter or margarine. Wrap tightly in heavy duty foil. Grill turning occasionally.
Potatoes	Whole	Medium	40 to 60 minutes	Wrap individually in heavy duty foil. Cook rotating occasionally.
Meat/Steaks	1/2 to 3/4 inches	High-Medium	4 to 15 minutes	Pre heat grill for 15-20 minutes then sear steaks on each side for two minutes. Next grill 3 to 5 minutes on each side or until desired doneness.
Ground Meats	1/2 to 3/4 inches	Medium	8 to 15 minutes	Grill turning once when juices rise to the surface or until desired amount of doneness. Do not leave hamburgers unattended since a flare-up could occur quickly.
Ribs	1/2 or full rack	Medium	20 to 40 minutes	Grill turning occasionally. During last few minutes brush with barbecue sauce, turn several times.
Hot dogs	NA	Medium	5 to 10 minutes	Grill turning four times. 2-4 minutes on each of four sides.
Poultry-Cut	1/4 to 1/2 pounds	Low or Medium	20 to 40 minutes	Grill turning occasionally. During last few minutes brush with barbecue sauce if desired, turn several times.
Poultry Whole	2 to 3 pounds	Low or	1 to 1-1/2 hours	Use poultry stand and brush frequently as desired
		Medium	40 to 60 minutes	Use poultry stand and brush frequently as desired
Fish	3/4 to 1 inch	Medium	8 to 15 minutes	Grill turning once to desired doneness. Brush with melted butter, margarine or oil.

Model 122.16500010/16501010 Parts diagram



Model 16500010/16501010 Parts List

KEY#	PARTS	DESCRIPTION	QUANTITY	KEY#	PARTS	DESCRIPTION	QUANTITY
1	719R/B-001	Main Lid	1	30	719R/B-030	Tool Storage Slide Screw	2
2	719R/B-002	Temperature Gauge	1	31	719R/B-031	Tool Storage Slide	2
3	719R/B-003	Main Lid Screw	2	32	719R/B-032	Tool Storage Front Panel	1
4	719R/B-004	Logo	1	33	719R/B-033	Tool Storage Handle	1
5	719R/B-005	Hood Buffer	2	34	719R/B-034	Front Panel	1
6	719R/B-006	Front Baffle	1	35	719R/B-035	Manual Lighting Stick	1
7	719R/B-007	Main Gas Valve	4	36	719R/B-036	Wheel	2
8	719R/B-008	Pulse Igniter Module	1	37	719R/B-037	Wheel Axle	1
9	719R/B-009	Regulator, LP	1	38	719R/B-038	Side Burner Bracket A	1
10	719R/B-010	Side Manifold	1	39	719R/B-039	Side Burner Bracket B	1
11	719R/B-011	Side Burner Hose	1	40	719R/B-040	Side Burner Igniter Wire	1
12	719R/B-012	Main Manifold	1	41	719R/B-041	Side Burner Igniter Pin	1
13	719R/B-013	Main Control Panel	1	42	719R/B-042	Side Burner Pipe Assembly	1
14	719R/B-014	Bezel	5	43	719R/B-043	Side Gas Valve	1
15	719R/B-015	Control Knob	5	44	719R/B-044	Side Burner Front Panel	1
16	719R/B-016	Side Shelf	1	45	719R/B-045	Side Burner Bowl Assembly	1
17	719R/B-017	Side Shelf Front Panel	1	46	719R/B-046	Side Burner Cooking Grid	1
18	719R/B-018	Cart Brace	2	47	719R/B-047	Side Burner Lid	1
19	719R/B-019	Cart Leg Rear, Left	1	48	719R/B-048	Grease Tray	1
20	719R/B-020	Cart Leg Front, Left	1	49	719R/B-049	Grease Cup	1
21	719R/B-021	Cart Leg Front, Right	1	50	719R/B-050	Main Burner Igniter Wire A	1
22	719R/B-022	Cart Leg Rear, Right	1	51	719R/B-051	Main Burner Igniter Wire B	1
23	719R/B-023	Gas Tank Barrier Bar	1	52	719R/B-052	Main Burner Igniter Wire C	1
24	719R/B-024	Tank Bolt	1	53	719R/B-053	Main Burner Igniter Wire D	1
25	719R/B-025	Cart Leg Foot	2	54	719R/B-054	Main Burner	4
26	719R/B-026	Side Panel, Left	1	55	719R/B-055	Heat Diffuser	4
27	719R/B-027	Side Panel, Right	1	56	719R/B-056	Cooking Grid with Hole	2
28	719R/B-028	Cart Beam	2	57	719R/B-057	Warming Rack	1
29	719R/B-029	Bottom Panel, LP	1				

If you are missing hardware or have damaged parts after unpacking grill, call 1-800-913-8999 for replacements.

To order replacement parts after using grill, call: 1-800-4-MY-HOME®

To make sure you obtain the correct replacement parts for your Kenmore gas grill, please refer to the part numbers on this page.

Important: Keep this Use & Care Guide for convenient reference and for part replacement.

Important: Use only parts listed above. When ordering parts, providing the following information:

1. Model #
2. Serial # (found inside the front panel of your grill)
3. Part Number (see PART# in chart)
4. Part Description
5. Quantity of parts needed

Get it fixed, at your home or ours!

Your Home

For expert troubleshooting and home solutions advice:

manage my home

www.managemyhome.com

For repair – **in your home** – of **all** major brand appliances, lawn and garden equipment, or heating and cooling systems, **no matter who made it, no matter who sold it!**

For the replacement parts, accessories and owner's manuals that you need to do-it-yourself.

For Sears professional installation of home appliances and items like garage door openers and water heaters.

1-800-4-MY-HOME[®] (1-800-469-4663)

Call anytime, day or night (U.S.A. and Canada)

www.sears.com www.sears.ca

Our Home

For repair of carry-in items like vacuums, lawn equipment, and electronics, call anytime for the location of your nearest

Sears Parts & Repair Service Center

1-800-488-1222 (U.S.A.) **1-800-469-4663** (Canada)

www.sears.com

www.sears.ca

To purchase a protection agreement on a product serviced by Sears:

1-800-827-6655 (U.S.A.)

1-800-361-6665 (Canada)

Para pedir servicio de reparación a domicilio, y para ordenar piezas:

1-888-SU-HOGAR[®]

(1-888-784-6427)

Au Canada pour service en français:

1-800-LE-FOYER^{MC}

(1-800-533-6937)

www.sears.ca

Sears

® Registered Trademark / TM Trademark / SM Service Mark of Sears Brands, LLC

® Marca Registrada / TM Marca de Fábrica / SM Marca de Servicio de Sears Brands, LLC

^{MC} Marque de commerce / ^{MD} Marque déposée de Sears Brands, LLC

© Sears Brands, LLC