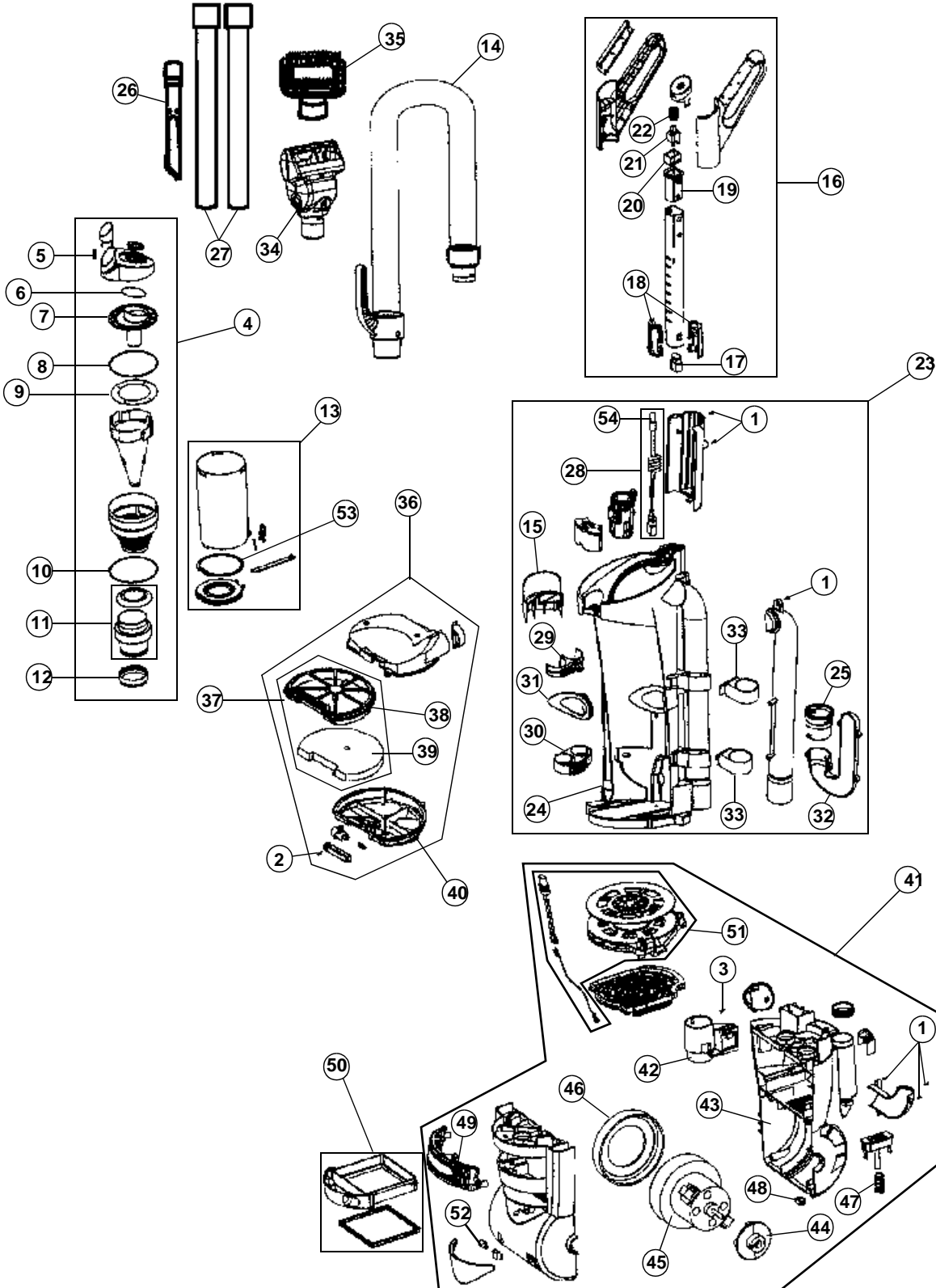




# MACH<sup>5</sup> MACH<sup>6</sup>

**cyclonic**  
**TurboPOWER**  
MULTI-CHAMBER CLEANING SYSTEM

## ASSEMBLY SCHEMATIC



### MODEL No.

U5194-900

U5198-900

U5199-900

UH70040



# MACH<sup>5</sup>

# MACH<sup>6</sup>

**cyclonic**  
**TurboPOWER**  
 MULTI-CHAMBER CLEANING SYSTEM

## PART LISTING

ITEM	PART NUMBER	MODELS TO FIT	PART DESCRIPTION
1	93001840	ALL	BODY SCREW 4.2 X 16
2	18381522	ALL	SCREW 3.5 X 12
3	18147152	ALL	SCREW 4.2 X 25 - LOWER HOSE HOLDER
4	93005000	U5194900	DIRT CUP LID ASSEMBLY - SILVER / ORANGE
		U5198900	DIRT CUP LID ASSEMBLY - SILVER / GREEN
		U5199900	DIRT CUP LID ASSEMBLY - SILVER / LACQUER RED
		UH70040	DIRT CUP LID ASSEMBLY - SILVER METALLIC
5	93001656	ALL	DIRT CUP RELEASE SPRING
6	93001649	ALL	SEAL - DIRT CUP LID
7	93001650	ALL	CYCLONE DUCT
8	93001651	ALL	SEAL - CYCLONE DUCT
9	93001652	ALL	SEAL - CYCLONE DUCT
10	93001637	ALL	SEAL - CYCLONE FILTER
11	93002515	ALL	DUST CHAMBER ASSEMBLY W/SHROUD
12	93001644	ALL	SEAL - DUST CHAMBER
13	93005100	U5194900	DIRT CUP ASSEMBLY - SILVER / ORANGE
		U5198900	DIRT CUP ASSEMBLY - SILVER / GREEN
		U5198900	DIRT CUP ASSEMBLY - SILVER / LACQUER RED
		UH70040	DIRT CUP ASSEMBLY - SILVER METALLIC
14	93002514	ALL	HOSE ASSEMBLY
	93002362	ALL	BONUS HOSE - <b>OPTIONAL</b>
15	93002513	ALL	UPPER HOSE HOLDER
16	93005200	ALL	HANDLE ASSEMBLY
17	93001700	ALL	MALE PLUG CONNECTOR
18	93001701	ALL	HOLDING PLATE - MALE PLUG CONNECTOR
19	93001702	ALL	SWITCH SLEEVE
20	93001703	ALL	SWITCH HOLDER
21	93001705	ALL	SWITCH
22	93001706	ALL	SWITCH SPRING
23	93005700	ALL	MAIN BODY ASSEMBLY
24	93002488	ALL	MAIN BODY HOUSING - ONLY
25	11041044	ALL	AIR DUCT ADAPTOR
26	15804217	ALL	CREVICE TOOL
27	12640720	ALL	EXTENSION WAND

[MODEL No.](#)

U5194-900

U5198-900

U5199-900

UH70040



# MACH<sup>5</sup>

# MACH<sup>6</sup>

**cyclonic**  
**TurboPOWER**  
 MULTI-CHAMBER CLEANING SYSTEM

## PART LISTING

ITEM	PART NUMBER	MODELS To FIT	PART DESCRIPTION
28	26401317	ALL	WIRING CONNECTOR ASSEMBLY
29	11041053	ALL	UPPER WAND HOLDER
30	11041052	ALL	LOWER WAND HOLDER
31	11041105	ALL	AIR INLET SEAL - DIRT CUP
32	93002492	ALL	AIR DUCT COVER
33	11041065	ALL	TOOL HOLDER
34	49129032	ALL	TURBINE HAND TOOL
35	15810030	ALL	FURNITURE BRUSH
36	93005800	ALL	UPPER FILTER HOUSING, BOTTOM COVER, W/SECONDARY FILTER ASSY - SERVICE ASSEMBLY -
37	40110012	ALL	SECONDARY FILTER WITH FOAM FILTER
38	93002517	ALL	SECONDARY FILTER ASSEMBLY - <b>ORDER #37 / 40110012</b>
39	93002518	ALL	SECONDARY FOAM FILTER
40	93002499	ALL	BOTTOM COVER - SECONDARY FILTER
41	93005600	ALL	MOTOR HOUSING ASSEMBLY
42	93002473	ALL	LOWER HOSE HOLDER
43	93002474	ALL	REAR MOTOR HOUSING
44	93001677	ALL	REAR MOTOR PLATE
45	93001678	ALL	MOTOR ASSEMBLY
46	93001679	ALL	MOTOR SEAL
47	93002480	ALL	SPRING - CORD REEL PEDAL
48	93002482	ALL	SEAL - MOTOR WIRE
49	93002484	U5194900	CORD REEL COVER - NEURON ORANGE
		U5198900	CORD REEL COVER - HYPER GREEN
		U5199900	CORD REEL COVER - CHERRY RED
		UH70040	CORD REEL COVER - CHERRY RED
50	93002360	ALL	HEPA EXHAUST FILTER ASSEMBLY
51	93002478	ALL	CORD REEL ASSEMBLY
52	27313107	ALL	LIGHT BULB
53	93002437	ALL	GASKET - DIRT CUP DOOR
54	93001717	ALL	FEMALE CONNECTOR

## MODEL No.

U5194-900

U5198-900

U5199-900

UH70040



# MACH<sup>5</sup>

# MACH<sup>6</sup>

**cyclonic**  
**TurboPOWER**  
MULTI-CHAMBER CLEANING SYSTEM

## ASSEMBLY SCHEMATIC

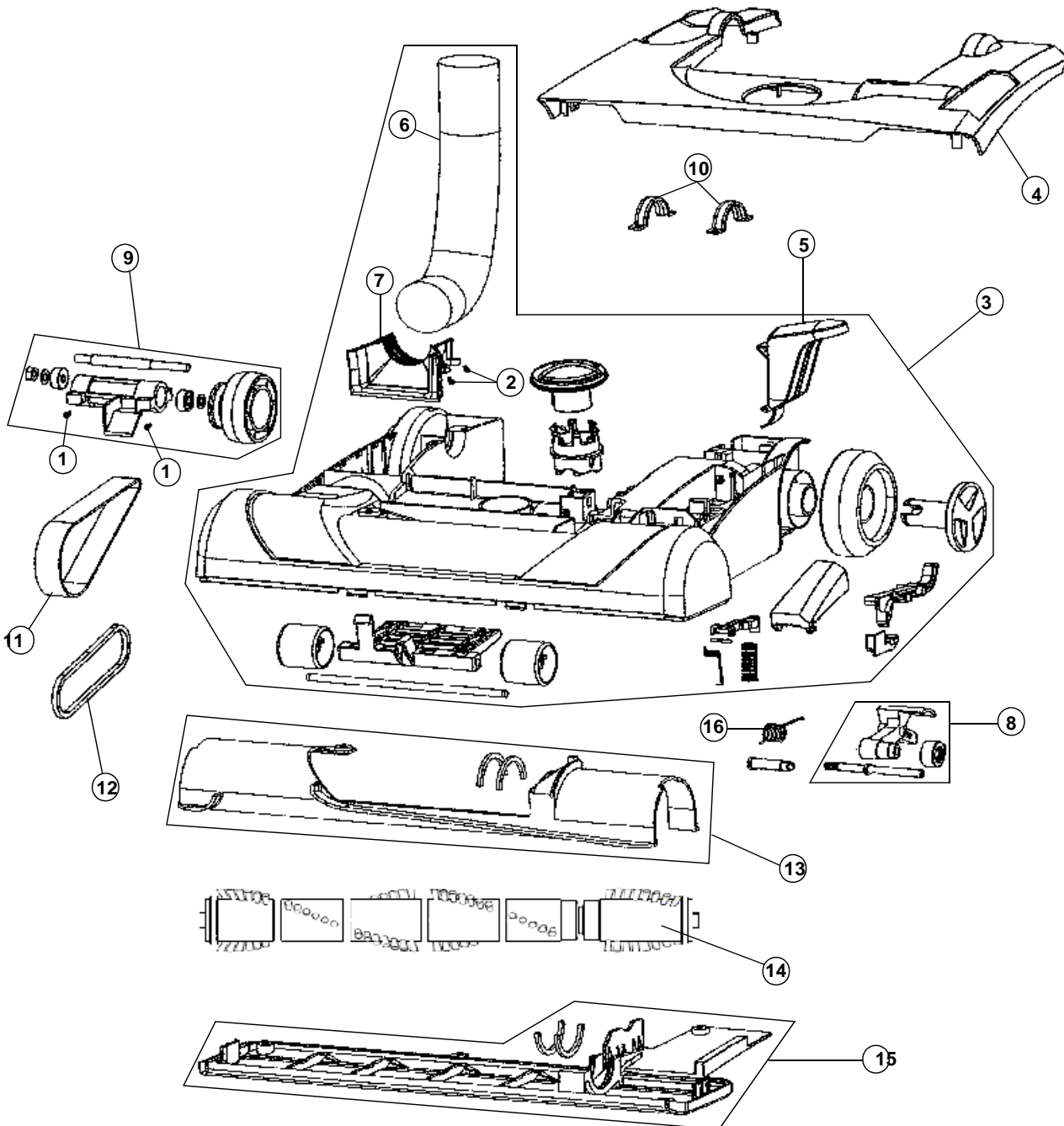
MODEL No.

U5194-900

U5198-900

U5199-900

UH70040





# MACH<sup>5</sup>

# MACH<sup>6</sup>

**cyclonic**  
**TurboPOWER**  
 MULTI-CHAMBER CLEANING SYSTEM

## PART LISTING

[MODEL No.](#)

ITEM	PART NUMBER	MODELS TO FIT	PART DESCRIPTION
1	93001840	ALL	BODY SCREW 4.2 x 16
2	18381522	ALL	SCREW 3.5 x 12
3	SEE NOTES	U5194900	FOOT / NOZZLE BASE ASSEMBLY MFG PRIOR TO 09/2007
	93005500	ALL	FOOT / NOZZLE BASE ASSEMBLY - REVISED MFG 09/2007 AND NEWER
4	93002467	ALL	HOOD / NOZZLE COVER
5	SEE NOTES	U5194900, U5198900	HANDLE RELEASE PEDAL MFG PRIOR TO 09/2007
	93002462	ALL	HANDLE RELEASE PEDAL - REVISED ORANGE MFG 09/2007 AND NEWER
6	13102101	ALL	LOWER HOSE
7	11041029	ALL	LOWER HOSE SUPPORT
8	93005300	ALL	IDLER ARM ASSEMBLY
9	93005400	ALL	PULLEY ASSEMBLY
10	93001663	ALL	TRUNION / PIVOT CLAMP
11	38528035	ALL	FLAT - BELT
12	38528034	ALL	V - BELT
13	93002516	ALL	BRUSH ROLL HOUSING
14	59156548	ALL	BRUSH ROLL ASSEMBLY
15	93002468	ALL	BOTTOM PLATE / NOZZLE GUARD
16	93002447	ALL	SPRING - IDLER ASSEMBLY

U5194-900  
 U5198-900  
 U5199-900  
 UH70040

\*\*IF YOU HAVE A MODEL U5194-900 THAT WAS MFG PRIOR TO 9/2007 AND YOU NEED TO REPLACE THE HANDLE RELEASE PEDAL, YOU NEED TO ORDER THE FOLLOWING:

93005500 - FOOT / NOZZLE BASE ASSEMBLY (INCLUDES HANDLE RELEASE PEDAL)

THIS WILL UPDATE THE UNIT TO REFLECT A REVISION / NEW DESIGN OF THE HANDLE RELEASE PEDAL. THE NEW DESIGN HANDLE RELEASE PEDAL WILL NOT WORK IN AN EARLY DESIGN FOOT NOZZLE BASE.