

This Owner's Manual is provided and hosted by [Appliance Factory Parts](#).



PANASONIC MC-CG885 Owner's Manual

[Shop genuine replacement parts for PANASONIC
MC-CG885](#)



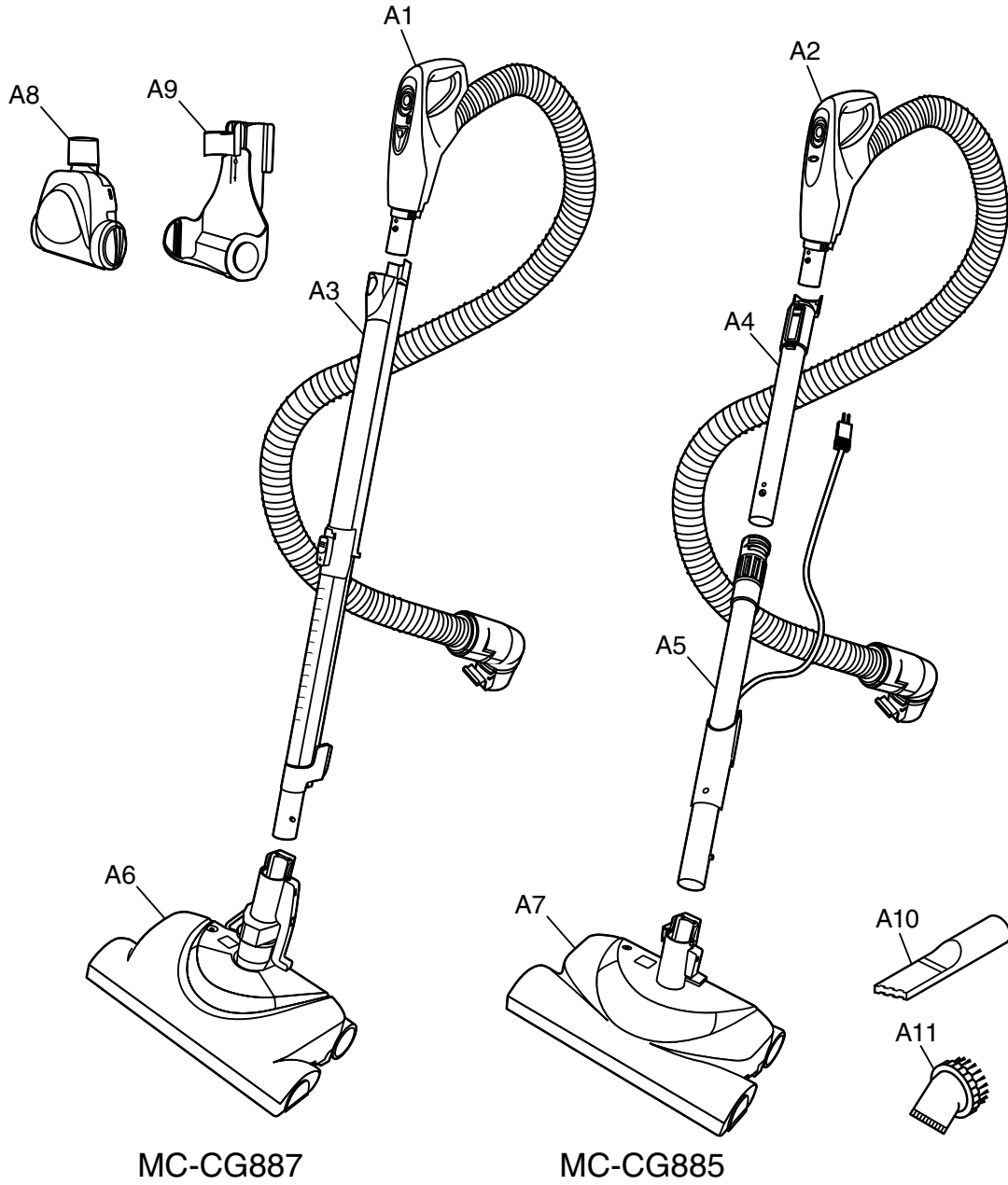
[Find Your PANASONIC Vacuum Cleaner Parts - Select From 605 Models](#)

----- Manual continues below -----

6 Exploded View and Replacement Parts List

6.1. EXPLODED VIEW (ATTACHMENTS)

MC-CG887,MC-CG885

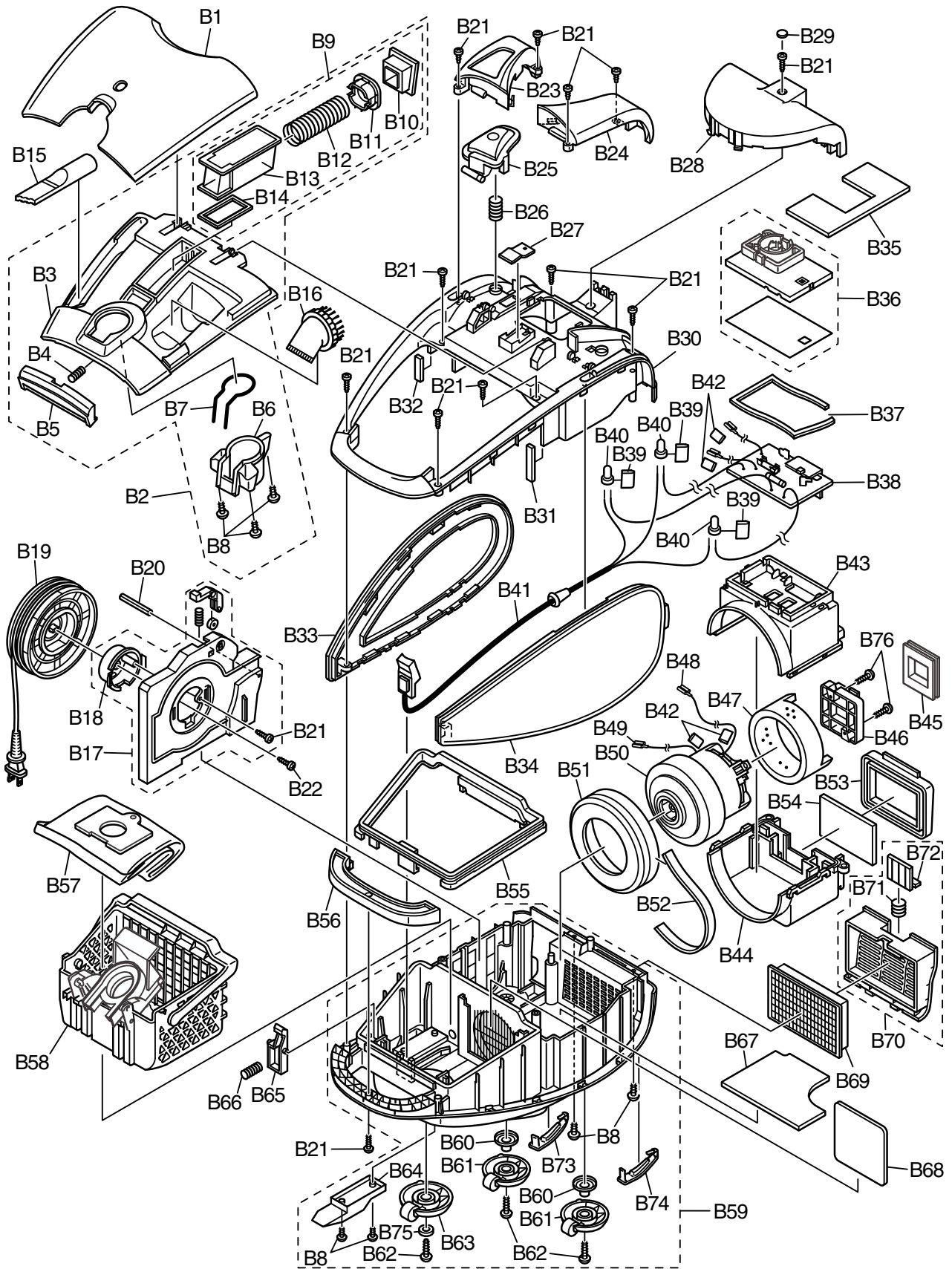


6.2. PARTS LIST (ATTACHMENTS)

Safety	Ref No.	PART NO.	PART NAME & DESCRIPTION	Q'TY	Remarks
	A1	AC94PCPPZV07	HOSE ASSEMBLY	1	MC-CG887 Only
	A2	AC94PCPJZV07	HOSE ASSEMBLY	1	MC-CG885 Only
	A3	AMC99PCUF0VP	EXTENSION WAND UNIT	1	MC-CG887 (Telescopic wand)
	A4	AMC97PBPJ0VP	EXTENSION WAND UNIT (UPPER)	1	MC-CG885 Only
	A5	AMC99PBZT0VP	WAND ASSEMBLY (LOWER)	1	MC-CG885 (Extension wand)
	A6	AMC50XDGJ0BP	POWERMATE NOZZLE	1	MC-CG887 (Power nozzle)
	A7	AMC50XDGE0WP	POWERMATE NOZZLE	1	MC-CG885 (Power nozzle)
	A8	AMC80SCSA0VP	HANDI MATE JR	1	MC-CG887 (Mini turbine nozzle)
	A9	AMC69PDGE0VP	TOOL CADDY ASSEMBLY	1	MC-CG887 (Mini turbine nozzle holder)
	A10	AMC60RSJ0C0P	CREVICE TOOL	1	
	A11	AMV88R5L0V0P	DUSTING BRUSH UNIT	1	(Crevice nozzle)

6.3. EXPLODED VIEW (BODY UNIT)

MC-CG887,MC-CG885

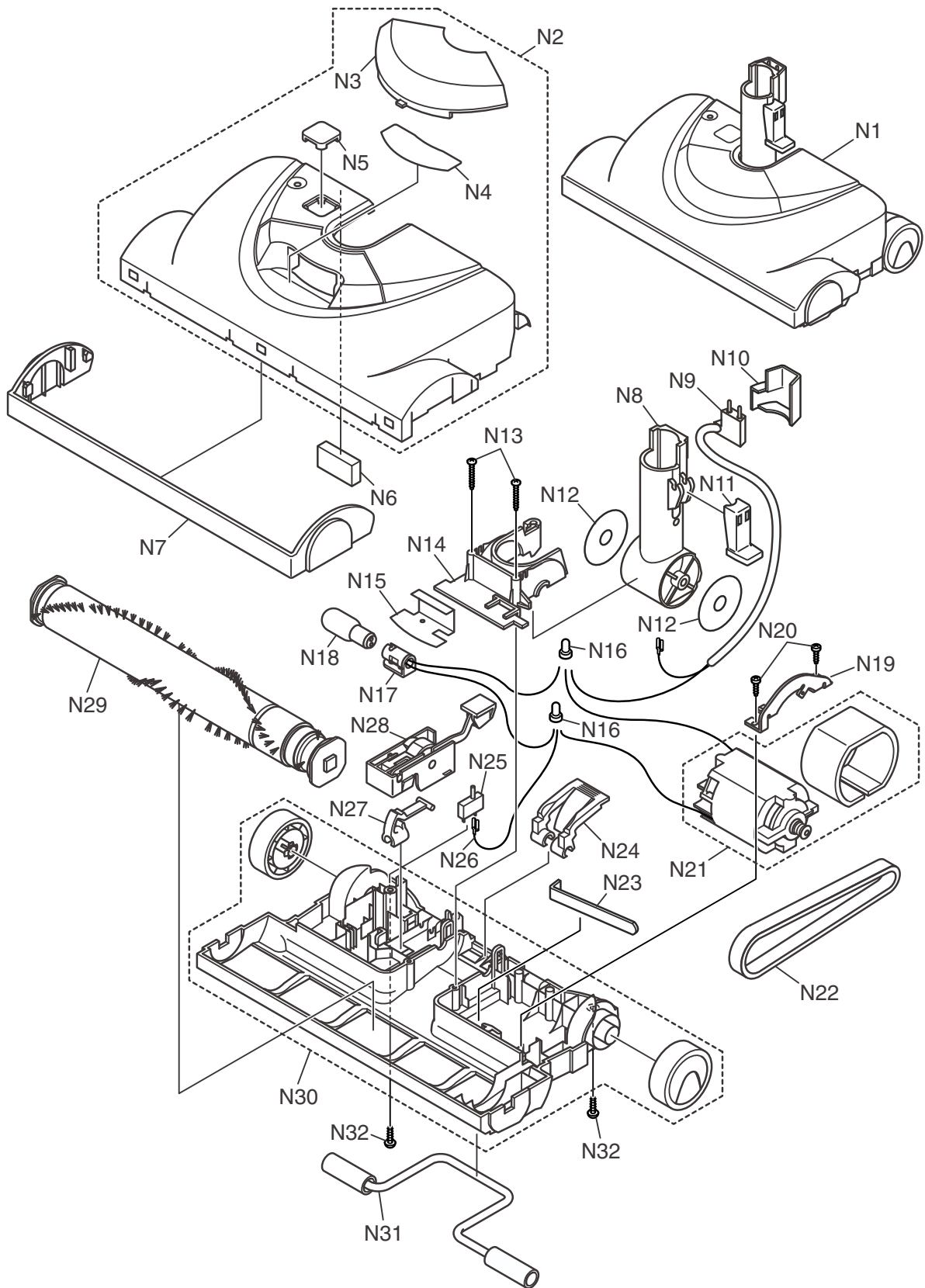


6.4. PARTS LIST (BODY UNIT)

Safety	Ref No.	PART NO.	PART NAME & DESCRIPTION	Q'TY	Remarks
	B1	AMV83P5M0CUP	TOOL STORAGE COVER UNIT	1	MC-CG887 Only
	B1	AMV83P5L07UP	TOOL STORAGE COVER UNIT	1	MC-CG885 Only
	B2	AMV92L5M0CUP	DUST BOX LID UNIT	1	MC-CG887 Only
	B2	AMV92L5L07UP	DUST BOX LID UNIT	1	MC-CG885 Only
	B3	AMV24K5M0C0P	DUST BOX COVER PAINT	1	MC-CG887 Only
	B3	AMV60K5L070P	DUST BOX COVER	1	MC-CG885 Only
	B4	AMV04D5J000P	SPRING BUCKLE	1	
	B5	AMV01D5J0H0P	BUCKLE	1	
	B6	AMV60H5L0A0P	SUCTION INLET	1	
	B6	AMV60H5L070P	SUCTION INLET	1	MC-CG885 Only
	B7	AMV64H5L000P	SUCTION INLET PACKING A	1	
	B8	XTN4+10BFJ	SCREW	7	
	B9	AMV98M5L00UP	INDICATER UNIT	1	
	B10	AMV17M5J0H0P	INDICATOR COVER	1	
	B11	AMV03M5J0J0P	INDICATOR XX	1	
	B12	AMV04M5L00UP	INDICATOR SPRING	1	
	B13	AMV15M5J000P	INDICATOR PIPE	1	
	B14	AMV09M5J000P	INDICATOR PACKING	1	
	B15	AMC60RSJ0C0P	CREVICE TOOL	1	
	B16	AMV88R5L0V0P	DUSTING BRUSH UNIT	1	
▲	B17	AMV0KA5J000P	BODY PARTITION UNIT	1	
▲	B18	AMV19N-4C00P	CONTACT BASE UNIT	1	
▲	B19	AMV99N5J00UP	CORD REEL ASSY	1	
	B20	AMV07W-4C00P	CORD PIPE	1	
	B21	XTN4+16BFJ	SCREW	13	
	B22	AMC68A-XD00P	SCREW	1	
	B23	AMV89T5M0C0P	PEDAL COVER UNIT	1	MC-CG887 Only
	B23	AMV42A5J070P	PEDAL COVER	1	MC-CG885 Only
	B24	AMV85E5L0C0P	SWITCH COVER UNIT	1	MC-CG887 Only
	B24	AMV03E5L070P	SWITCH COVER	1	MC-CG885 Only
	B25	AMV46N5J0A0P	CORD REWIND BUTTON	1	MC-CG887 Only
	B25	AMV46N5J070P	CORD REWIND BUTTON	1	MC-CG885 Only
	B26	AMC08E-YP00P	SWITCH SPRING	1	
	B27	AMV71K5J000P	SPRING	1	
	B28	AMV82L5M0H0P	REAR COVER UNIT	1	MC-CG887 Only
	B28	AMV82L5L0H0P	REAR COVER UNIT	1	MC-CG885 Only
	B29	AMV67J5J0H0P	CAP SEAL	1	
	B30	AMV0EA5M0C0P	UPPER BODY PAINT	1	MC-CG887 Only
	B30	AMV02A5J070P	UPPER BODY	1	MC-CG885 Only
	B31	AMV0AE5J000P	SEAL PACKING A	1	
	B32	AMV0BE5J000P	SEAL PACKING B	1	
	B33	AMV14C5J0H0P	WHEEL SUPPORTER RIGHT	1	
	B34	AMV13C5J0H0P	WHEEL SUPPORTER LIGHT	1	
	B35	AMV02G5J000P	BODY LINING UPPER	1	
▲	B36	AMV1AV5L000P	P.C.B HOLDER A UNIT	1	
▲	B37	AMV0DE5J000P	SEAL PACKING D	1	
▲	B38	AMV89V5L00U	P.C.B A UNIT	1	
▲	B39	AMC56L-1800P	GASKET V	3	
	B40	CE-230V	WIRE CONNECTOR	3	
▲	B41	AMC90EDGE0CP	CORD ASSY	1	
▲	B42	AMV65L5L00UP	GASKET D	4	
▲	B43	AMV63F5J000P	MOTOR SUPPORT COVER	1	
▲	B44	AMV09F5J000P	MOTOR CASE	1	
	B45	AMV03F-4C00P	MOTOR SUPPORT RUBBER (REAR)	1	
▲	B46	AMV07F5L000P	MOTOR SUPPORT FRONT	1	
▲	B47	AMV10G5L000P	NOISE ABSORBER	1	
▲	B48	AMV85W5L000P	WHITE LEAD WIRE UNIT	1	
▲	B49	AMV82G5L00UP	BLUE LEAD WIRE UNIT	1	
▲	B50	AMC92FCJN00P	FAN MOTOR UNIT	1	
	B51	AMV02F5L000P	MOTOR SUPPORT RUBBER (FRONT)	1	
	B52	AMV16F5J000P	SUPPORT RUBBER	1	
	B53	AMV19F5J000P	MOTOR CASE RUBBER	1	
	B54	AMV11F5J000P	MOTOR CASE LINING	1	
	B55	AMV66K5J0H0P	DUST COVER PACKING	1	
	B56	AMV31A5J0H0P	FURNITURE GUARD	1	
	B57	AMC-J3EP	PAPER BAG (TYPE C-18)	1	(Pack 4/U)
	B58	AMV88L5L0L0P	EXPANDER UNIT	1	(Dust bag holder)
	B59	AMV97A5L0L0P	LOWER BODY UNIT	1	
	B60	AMV39C5J000P	CASTER SUPPORTER PLATE UP	2	

Safety	Ref No.	PART NO.	PART NAME & DESCRIPTION	Q'TY	Remarks
	B61	AMV95C5J0K0P	CASTER UNIT	2	
	B62	XTT4+18BFJ	SCREW	3	
	B63	AMV95C4D0K0P	CASTER UNIT	1	
	B64	AMV76P5L0L0P	NOZZLE HOLDER	1	
	B65	AMV23K5J0L0P	SUPPORTER	1	
	B66	AMV46H5L000P	SPRING/ (BAG CLAMPER SPRING)	1	
	B67	AMV03G5J000P	BODY PAD	1	
	B68	AMV30K5J000P	FILTER	1	(Pre-motor filter)
	B69	AMV95K5J0H0P	FILTER UNIT	1	(Exhaust filter)
	B70	AMV86L5J0L0P	FILER KNOB UNIT	1	
	B71	AMV18D5J000P	SPRING RELEASE BUTTON	1	
	B72	AMV11D5J0L0P	HOLDER	1	
	B73	AMV54C5L0L0P	STAND RUBBER	1	
	B74	AMV51C5L0L0P	STAND COVER	1	
	B75	AMV40C4C000P	CASTER SUPPORTER PLATE LOW	1	
	B76	XTN4+8FFJ	SCREW	2	

EXPLODED VIEW (MC-CG885-WU21)



PARTS LIST (MC-CG885-WU21)

Safety	Ref No.	PART NO.	PART NAME & DESCRIPTION	Q'TY	Remarks	
	N1	AMC50XDGE0WP	POWERMATE NOZZLE	1	MC-CG885 (Power nozzle)	
	N2	AMV98R5L0W0P	FLOOR NOZZLE UPPER UNIT	1	MC-CG885 Only	
	N3	AMC21HCRF00P	WINDOW (NOZZLE LIGHT)	1		
	N4	AMC84HCRE00P	REFLECTOR NOZZLE	1		
	N5	AMC21HCRE00P	WINDOW (HEIGHT ADJUST)	1		
	N6	AMC37KCRE00P	FILTER INTAKE	1		
	N7	AMC10KCP50VP	FURNITURE GUARD	1		
	N8	AMC76PCRG0VP	NOZZLE HOLDER	1	MC-CG885 Only	
	N9	AMC64EAWB0V6	CORD & PLOUG2 WIRE	1	MC-CG885 Only	
	N10	AMC13DCRG0VP	COVER PLUG HOUSING	1	MC-CG885 Only	
	N11	AMC47ACRG0VP	FOOT PEDAL	1	MC-CG885 (Wand quick release pedal)	
	N12	AMC74ECRE00P	SEAL AWIVEL	2		
	N13	AMC681550	SCR THRCUT PAN8-18X17/8	1		
	N14	AMC25QCRE0VP	SWIVEL CAP	1		
	N15	AMC22HCRE00P	WINDOW REFLECTOR	1		
	N16	AMC66JCRE00P	CAP WIRE	2		
	▲	N17	AMC93HDAE00P	BULB SOCKET (LAMP HOLDER)	1	
	▲	N18	AMC28GADF00P	BULB . LIGHT	1	
	N19	AMC02DCRE00P	MOTOR BRACKET	1		
	N20	AMC681297	SCR THDCUT N08-18X5/8	2		
	▲	N21	AMV0FF5L000P	MOTOR SET	1	
	N22	AMC28SCRE00P	BELT (POWER METE)	1		
	N23	AMC24DCRE00P	MOTOR ADJUSTMENT SPRING	1		
	N24	AMC47ACRE0RP	HANDLE RELEASE	1	(Handle release pedal)	
	N25	AMC76FAXE00P	OVERLOAD PROTECTOR	1		
	▲	N26	AMC85GCRE00P	LEAD WIRE (BLACK)	1	
	N27	AMC90HCRE0VP	LIFTER	1		
	N28	AMC83MAKS0VP	INDICATOR BLOCK	1	(Pile haight pedal)	
	N29	AMC84RCRE00P	AGITETOR ASSEMBLY	1		
	N30	AMV97R5L000P	FLOOR NOZZLE LOWER	1		
	N31	AMC74402900P	FRONT AXLE ASSY	1		
	N32	AMC681297	SCR THRCUT N08-18X5/8	2		