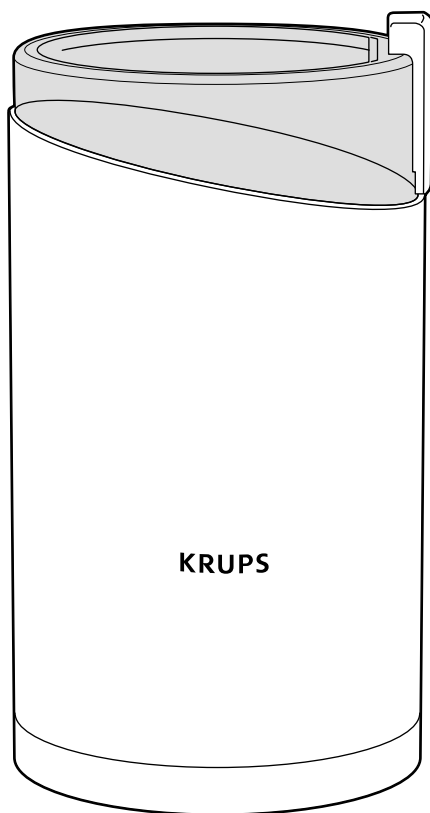
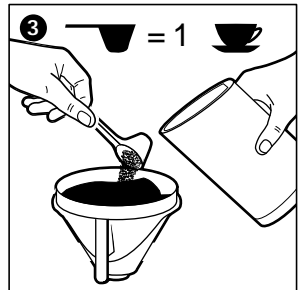
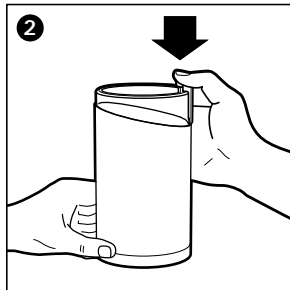
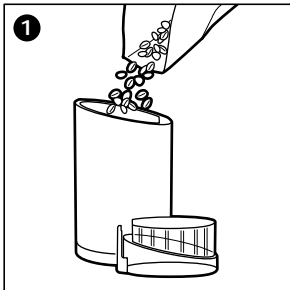
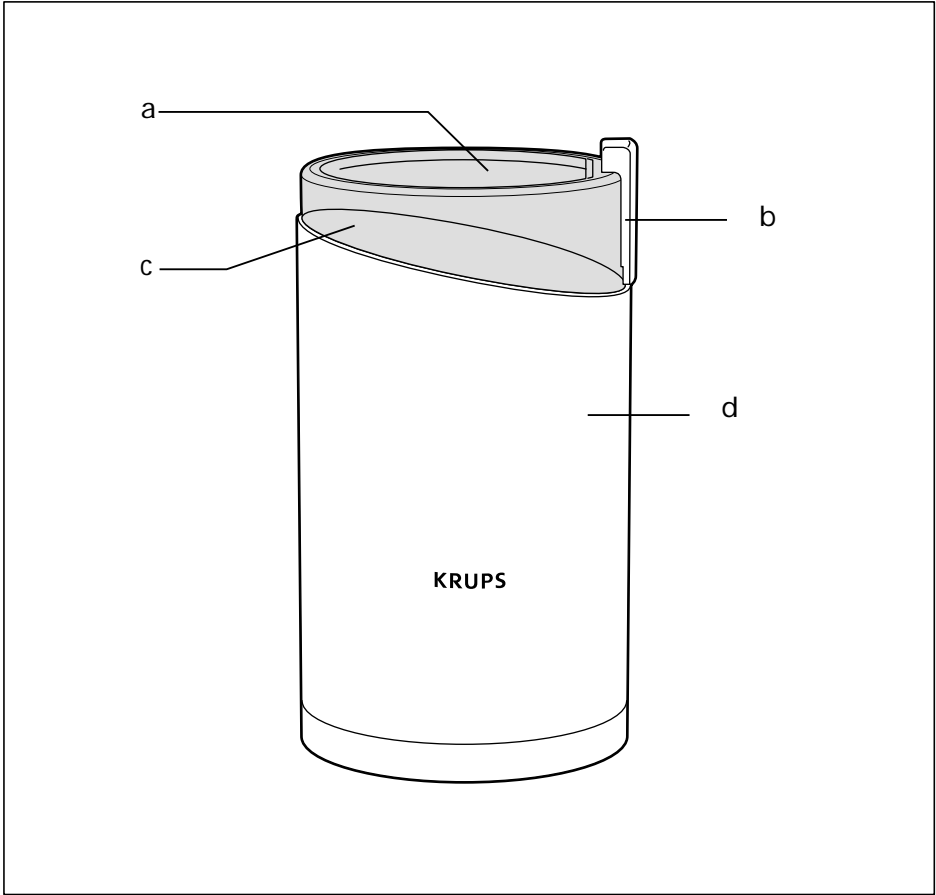


# KRUPS





# KRUPS

Fast Touch Grinder

F 203

**USA**

4

---

Instructions for Use  
Warranty  
Guarantee of Performance

**Français**

9

---

Mode d'emploi  
Garantie  
Garantie de rendement

**Español**

14

---

Instrucciones de uso  
Garantía  
Garantía de rendimiento

# IMPORTANT SAFEGUARDS

When using electrical appliances, basic safety precautions should always be followed, including the following :

- Read all instructions.
- To protect against risk of electrical shock, do not put unit in water or other liquid.
- Close supervision is necessary when any appliance is used by or near children.
- Unplug from outlet when not in use, before putting on or taking off parts, and before cleaning.
- Avoid contacting moving parts.
- Do not remove lid until blade has stopped completely. After releasing the push button the blade will come to a stop within 2 to 3 seconds.
- Do not operate any appliance with a damaged cord or plug or after the appliance malfunctions, or has been dropped or damaged in any manner. Return appliance to the nearest authorized KRUPS Service Center for examination, repair or electrical or mechanical adjustment.
- The use of attachments not recommended or sold by appliance manufacturer may cause fire, electric shock or personal injury.
- Do not use outdoors.
- Do not let cord hang over edge of table or counter. Do not let cord touch any hot surfaces, including the stove.
- Do not use the appliance for other than intended use.
- Check milling bowl for presence of foreign objects before using.

## SAVE THESE INSTRUCTIONS

### CAUTION

This appliance is for household use. Any servicing other than cleaning and user maintenance should be performed by the nearest authorized KRUPS Service Center (see guarantee of Performance).

**Do not immerse base in water.**

**To reduce the risk of fire or electric shock, do not remove the base. No user servicable parts inside. Repair should be done by an authorized KRUPS Service Center only.**

## **SPECIAL CORD SET INSTRUCTIONS**

**Regarding your cord set :**

**This appliance has a polarized plug (one blade is wider than the other). To reduce the risk of electric shock this plug is intended to fit into a polarized outlet only one way. If the plug does not fully fit into the outlet, reverse the plug. If it still does not fit, contact a qualified electrician. Do not modify the plug in any way.**

## Description

- a Grinder lid
- b Power button
- c Grinding chamber
- d Motor base

## Introduction

Your Krups coffee grinder allows you to grind your own coffee beans right in your own home. With such a variety of coffee beans available in supermarkets and gourmet shops, owning the Fast-Touch Grinder is sophisticated and economical. The best result, however, is that you get fresh coffee, every time!

Light roasted beans seem to be the most popular in North America, and dark roasts have been associated more with the heavier coffees, such as Espresso and Turkish. These dark roast, however, can also be brewed for «regular» coffee.

Coffee beans are also categorized as straight coffees or blends. The straight coffees consist of beans from a single area; blend consist of beans from several areas, which sometimes results in a superior coffee combination.

The best way to familiarize yourself with coffee is to purchase small quantities of several different varieties. Eventually, you will learn which beans and blends suit your personal taste. Perhaps you will soon start blending your own «house blends»!

## Operation

- Place the base unit (d) on a sturdy counterhop.
- Fill the grinding chamber (c) 1/2 to 3/4 with coffee beans (1).
- To calculate the amount of coffee beans to use, keep in mind that whole coffee beans yield the approximate equivalent in ground coffee (i.e. 1/4 cup beans = approx. 1/4 cup ground coffee. Refer to gringing chart for suggested ratios).

- Place the lid (a) on the grinder base (2).
- Plug in the grinder. To start grinding, press the power button (b) (3). The power will only stay on as long as the button or lid is pressed.
- The degree of fineness you desire will decide how long you should grind. For example, a coarse grind would require less grinding time than a find grind.

### Caution

**Wait until the blades have completely stopped before removing lid. Grinder should be unplugged before removing lid.**

- When grinding is complete, unplug the unit. Carefully remove the lid and pour the ground coffee into a bowl or cannister. If you are grinding a large amount of beans, store the coffee in an airtight container.

## Coffee Tips

- Purchase coffee beans in small quantities.
- Store coffee beans in an airtight container in the freezer.
- Coffee beans do not need to thawed before grinding and/or brewing.
- Large ground quantities should be stored in an airtight container and placed in your refrigerator or freezer to maintain freshness.
- Follow the recommandations of your coffeemaker brand for brewing quantities. Adjustments should be made to suit your own personal taste.

Type of coffeemaker	Percolator	Regulator Auto Drip Coffeemaker	Krups Drip Coffeemaker
Quantity			
4-Cups	4 Tbsp.	4 Tbsp.	4 Tbsp.
8-cups	8 Tbsp.	8 Tbsp.	8 Tbsp.
10-cups	10 Tbsp.	10 Tbsp.	10 Tbsp.
12-cups	12 Tbsp.	12 Tbsp.	12 Tbsp.

## Grinding for Espresso/ Cappuccino

The Krups Fast-touch (F203) is acceptable for grinding beans for boiler type espresso machines. We do not recommend using the Fast-Touch to grind beans for use with pump espresso machines. Pump espresso machines require a disc type grinder such as the KRUPS «Il Barista» ref 220 or a similar, professional style espresso grinder. This type of grinder will prevent coffee dust which can impede the flow of water through the espresso machine.

## Grinding Coffee

- Grinding time depends on how coarse or fine a grind you desire. We do not recommend grinding coffee longer than 20 seconds. Longer use will not result in a finer grind, but in overheated coffee. As a result coffee will lose its flavor.
- The Fast-Touch (model F203) has a larger 3 oz. bean capacity for up to 15 cups of fresh coffee.

## Cleaning

Keeping your grinder clean is essential in achieving optimal taste results. Most coffee beans contain oils that may, over time, become stronger in flavor and could affect the taste of your coffee.

### **Be sure that grinder is unplugged before cleaning!**

- Remove all coffee after each grinding. A small soft brush or cloth is helpful in removing ground coffee from lid and blades.
- Wipe inside of grinder lid and blades very carefully with a damp cloth.
- Base unit can be wiped down with a damp cloth. NEVER immerse base unit in water or any other liquid!
- Lid can be washed in warm water, using a mild detergent, or be placed in the top rack of the dishwasher and used on gentle cycle.

## Limited One Year Warranty

Your KRUPS F203 is covered by the following warranty:

If from date of purchase within one year this KRUPS product fails to function because of defects in materials or workmanship, KRUPS will, at its option, repair or replace the unit with our charge, provided the owner has a proof of date of purchase.

This warranty will be void if malfunction was caused by damage to the product by accident, misuse, use on frequency or voltage other than marked on the product and/or described in the instructions, abuse including tampering, damage in transit, or use for commercial purposes. This warranty gives you specific legal rights, and you may also have other rights which may vary from state to state.

# GUARANTEE OF PERFORMANCE

This fine KRUPS product is manufactured according to a rigid code of quality standards, and, with minimum care, should give years of service. However, should the need arise for repairs or for replacement parts within or after the warranty period, please call our «CONSUMER SERVICE DEPARTMENT»:

USA : (800) 526-5377

Canada : (1) 800 418 33 25  
Monday-Friday 8:00 a.m - 4:30 p.m

You will be provided with specific instruction on how to get your product repaired.

The department will also be able to answer any general product questions you may have.

Before calling the «Consumer Service Department», please have the type number of your KRUPS appliance available.

You must have this information before calling our «Consumer Service Department» so that we may better answer your questions. The type number can be located by looking at the bottom of your appliance.

This product is type F203.

Any general correspondence can be addressed to:

USA : KRUPS North America, Inc.  
P.O. Box 3900  
Peoria, IL 61612

Canada : KRUPS Service  
A division of Groupe SEB Canada Inc  
455 Finchdene Square - Scarborough  
Ontario M1X 1B7