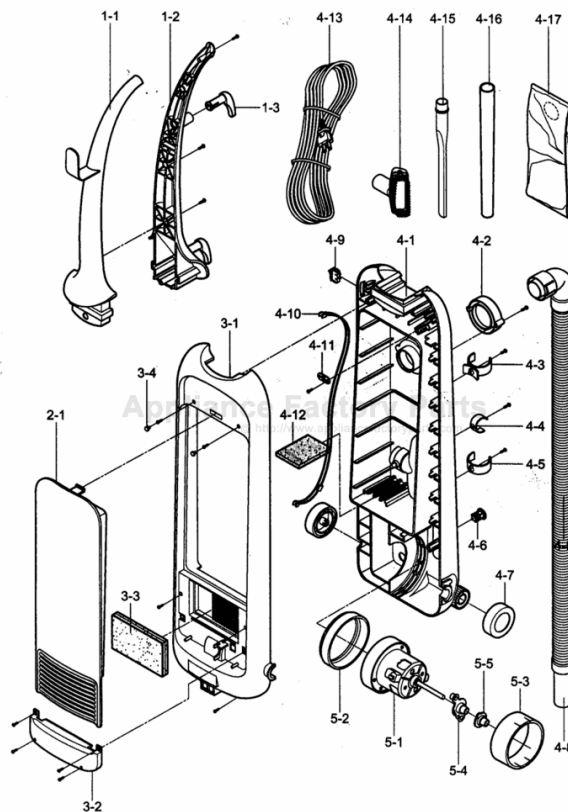


This Owner's Manual is provided and hosted by [Appliance Factory Parts](#).



LG VTUP245NBP Owner's Manual

[Shop genuine replacement parts for LG VTUP245NBP](#)



[Find Your LG Vacuum Cleaner Parts - Select From 37 Models](#)

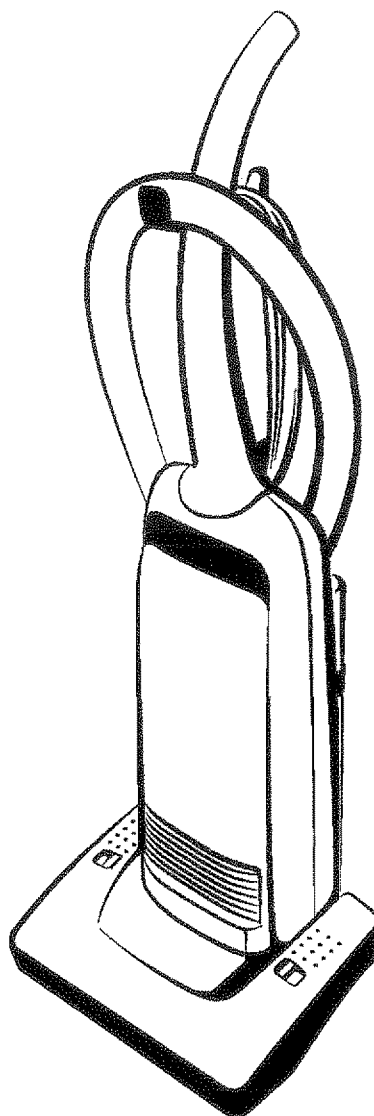
----- Manual continues below -----

Owner's Manual
Manual del Propietario



Vacuum Cleaner
Aspiradora

Model, Modelo
721.33078
721.33079



ENGLISH

ESPAÑOL

CAUTION: Read and follow all safety and operating instructions before first use of this product.

CUIDADO: Lea y sigue todas las instrucciones de operación y seguridad antes del uso de este producto.

Directions for Use

It is a violation of Federal law to use this product in a manner inconsistent with its labeling.

Direcciones de uso

Es una violación a la ley Federal utilizar este producto de una manera contraria con su etiquetado.

Sears, Roebuck and Co., Hoffman Estates, IL 60179 U.S.A
www.sears.com

PART No. : 3828FI3841A

Printed in China

TABLE OF CONTENTS

Before Using Your New Vacuum.....	2	Vacuum Cleaner Care.....	11
Kenmore Vacuum Cleaner Warranty	2	Vacuum Storage	11
Important Safety Instructions	3	Cleaning Exterior and Attachments	11
Parts and Features	4	Dust Bag Changing.....	12
Assembly Instructions	5	Motor Safety Filter Cleaning	13
Operating Instructions	6	Exhaust Filter Cleaning and Replacement	13
Cord Release.....	6	Belt Changing and Agitator Cleaning.....	14
Automatic Height Adjustment	7	Agitator Servicing.....	16
Handle Release and Positions.....	7	Agitator Assembly.....	16
On/Off Switch.....	7	Clog Removal	17
Attachments.....	7	Troubleshooting	18
Attachments Use Chart.....	9	Master Protection Agreements.....	19
Vacuuming Tips.....	9	Service	Back Cover
Performance Features	10		

BEFORE USING YOUR NEW VACUUM

Please read this guide. It will help you assemble and operate your new Kenmore vacuum in the safest and most effective way.

For more information about the care and operation, call your nearest Sears store.

You will need the complete model and serial numbers when requesting information.

Your vacuum's model and serial numbers are located on the Model and Serial Number Plate.

Use the space below to record the model number and serial number of your new Kenmore vacuum.

Model No. _____

Serial No. _____

Date of Purchase _____

Keep this book and your sales check (receipt) in a safe place for future reference.

KENMORE VACUUM CLEANER WARRANTY

LIMITED ONE YEAR WARRANTY ON KENMORE VACUUM CLEANER

This warranty is for one year from the date of purchase, and includes only private household vacuum cleaner use. During the warranty year, when this vacuum cleaner is operated and maintained according to the owner's manual instructions, Sears will repair any defects in material or workmanship free of charge.

This warranty excludes vacuum bags, belts, light bulbs, and filters, which are expendable parts and become worn during normal use.

For warranty service, return this vacuum cleaner to the nearest Sears Parts and Repair Center in the United States.

This warranty applies only while this product is in use in the United States.

This warranty gives you specific legal rights, and you may also have other rights which vary from state to state.

Sears, Roebuck and Co., D/817WA, Hoffman Estates, IL 60179

IMPORTANT SAFETY INSTRUCTIONS



WARNING - To reduce the risk of fire, electric shock, or injury:

Your safety is important to us. To reduce the risk of fire, electric shock, injury to persons or damage when using your vacuum cleaner, follow basic safety precautions including the following:

Read this manual before assembling or using your vacuum cleaner.

Use your cleaner only as described in this manual. Use only with supplied attachments.

To reduce the risk of electric shock - Do not use outdoors or on wet surfaces.

Disconnect electrical supply before servicing or cleaning out brush area. Failure to do so could result in electric shock or brush suddenly starting.

Always turn cleaner off before connecting or disconnecting the hose.

Always turn cleaner off before unplugging.

Do not unplug by pulling on cord. To unplug, grasp the plug, not the cord.

Hold plug when rewinding onto cord reel.

Do not allow plug to whip when rewinding.

Do not use with damaged cord or plug. If cleaner is not working as it should, has been dropped, damaged, left outdoors, or dropped into water, return it to a Sears Service Center.

Do not pull or carry by cord, use cord as a handle, close door on cord, or pull cord around sharp edges or corners. Do not run cleaner over cord. Keep cord away from heated surfaces.

Do not leave cleaner when plugged in. Unplug from outlet when not in use and before servicing.

Do not allow to be used as a toy. Close attention is necessary when used by or near children.

Do not handle plug or cleaner with wet hands.

Do not operate the cleaner with a punctured hose. Replace if cut or worn. Avoid vacuuming sharp objects.

Do not use with any opening blocked; keep free of dust, lint, hair and anything that may reduce air flow.

Keep hair, loose clothing, fingers, and all parts of body away from openings and moving parts. Do not use cleaner without dust bag and/or filters in place.

Always change the dust bag after vacuuming carpet cleaners or freshener, powders and fine dust. These products clog the bag, reduce airflow and can cause the bag to burst. Failure to change bag could cause permanent damage to the cleaner.

Do not use the cleaner to pick up sharp hard objects, small toys, pins, paper, etc. They may damage the cleaner or dust bag.

Do not pick up anything that is burning or smoking, such as cigarettes, matches, or hot ashes.

Do not use vacuum cleaner to pick up flammable or combustible liquids (gasoline, cleaning fluids, perfumes, etc.), or use in areas where they may be present. The fumes from these substances can create a fire hazard or explosion.

Use extra care when cleaning on stairs. Do not put on chairs, tables, etc. Keep on floor.

You are responsible for making sure that your vacuum cleaner is not used by anyone unable to operate it properly.

ENGLISH

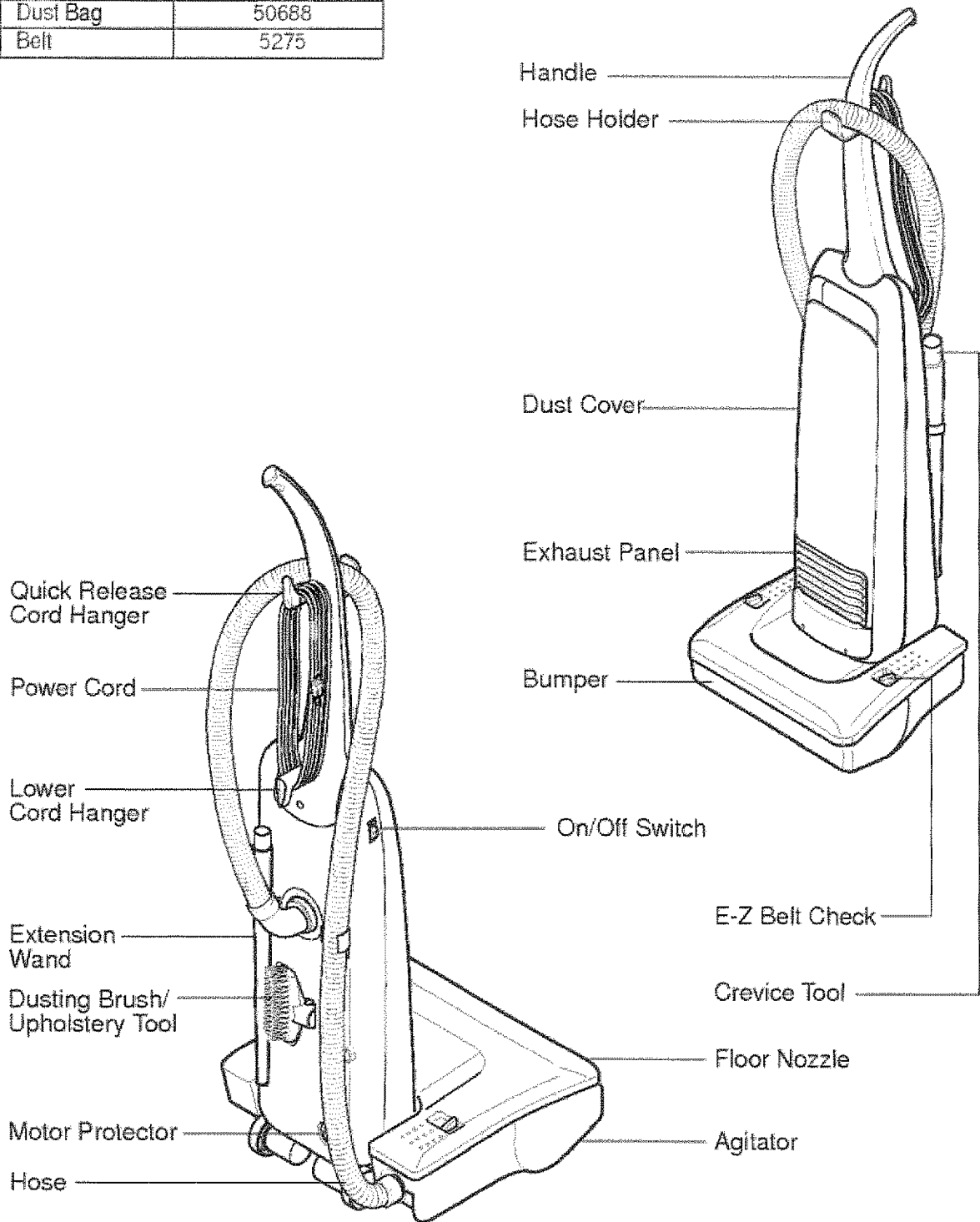
SAVE THESE INSTRUCTIONS

Proper assembly and safe use of your vacuum cleaner are your responsibilities. Your cleaner is intended only for household use. Read this Owner's Manual carefully for important use and safety information. This guide contains safety statements under warning and caution symbols. Please pay special attention to these boxes and follow any instructions given. **WARNING** statements alert you to such hazards as fire, electric shock, burns and serious personal injury. **CAUTION** statements alert you to such hazards as moderate personal injury and/or property damage.

PARTS AND FEATURES

It is important to know your vacuum cleaner's parts and features to assure its proper and safe use. Review these before using your cleaner.

Item	Part No.
Dust Bag	50688
Belt	5275



ASSEMBLY INSTRUCTIONS

Before assembling your vacuum, check the **PACKING LIST** on the cover of the separate **Parts List**. Use this list to verify that you have received all the components of your new Kenmore vacuum.



WARNING

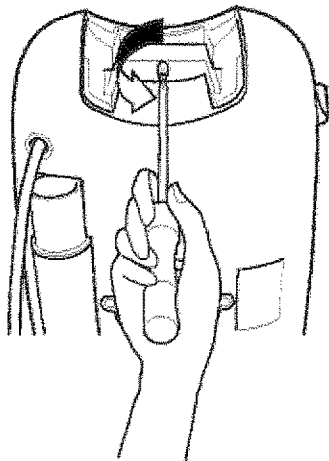
Electric Shock Hazard

Do not plug into the electrical supply until the assembly is complete.

Failure to do so could result in electric shock or injury.

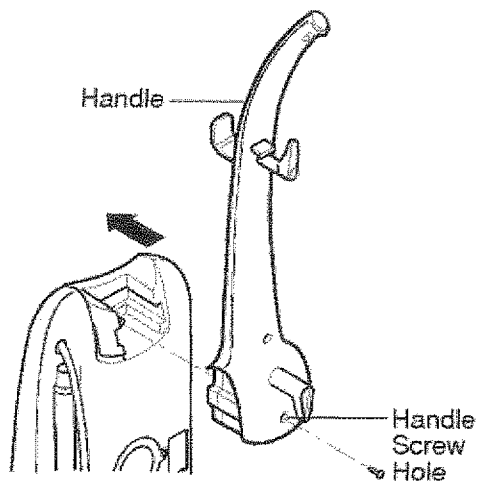
HANDLE ASSEMBLY

Remove the screw located just below the top edge of the back of the vacuum.

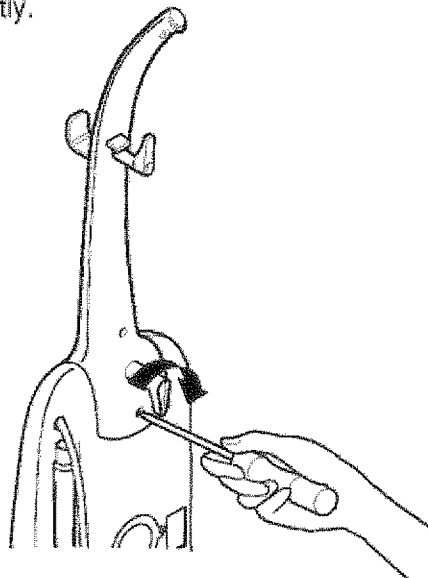


Position the handle as shown below and slide the handle into the opening at the top of the vacuum.

Insert the screw so it passes through the handle into the vacuum.



Tighten the screw securely with a screwdriver. It may be necessary to adjust the handle slightly.



CAUTION

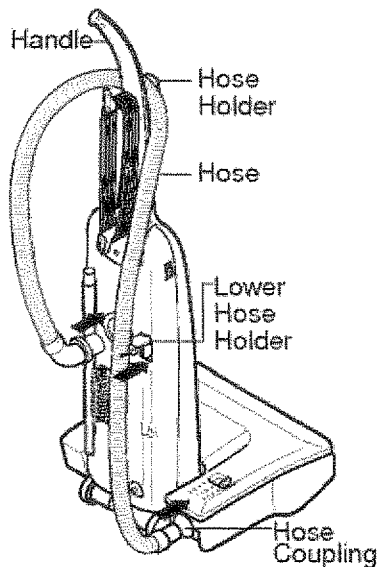
Do not overtighten.

Overtightening could strip the screw holes. Do not operate the cleaner without the screw in place.

ENGLISH

HOSE ASSEMBLY

After the handle has been assembled to the body and power cord has been wrapped around the cord hangers, insert the upper end of the hose into the opening on the body and place the hose over the hose holder.

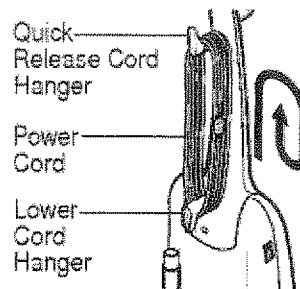
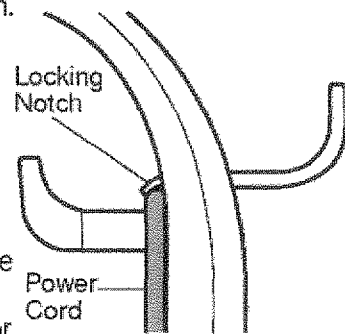


And then attach the lower hose holder provided in the accessory bag to the body and clip hose into the holder and slide hose onto the hose coupling on floor nozzle and twist hose. Make sure hose is firmly connected before using the vacuum.

CORD ASSEMBLY

Make sure the quick release cord hanger is in the upright position.

Lock the cord into place by forcing it into the locking notch on the body of the upper cord hanger as shown. This helps keep the power cord out of the path of the floor nozzle.



Wrap the power cord around the quick release cord hanger and lower cord hanger, and clip the plug onto the power cord.

OPERATING INSTRUCTIONS

CORD RELEASE

1. Turn the quick release cord hanger to either side and down to release the power cord.
2. Unclip the power cord plug from the power cord and pull the cord off the quick release cord hanger. Check to be sure the power cord is still locked into the locking notch. See CORD ASSEMBLY.
3. Check to see if the cleaner has bag installed. See DUST BAG CHANGING.
4. Plug the polarized power cord into a 120 Volt electrical outlet.

NOTE: To reduce the risk of electric shock, this vacuum cleaner has a polarized plug, one blade is wider than the other. This plug will fit in a polarized outlet only one way. If the plug does not fit fully in the outlet, reverse the plug. If it still does not fit, contact a qualified electrician to install the proper outlet. Do not change the plug in any way.

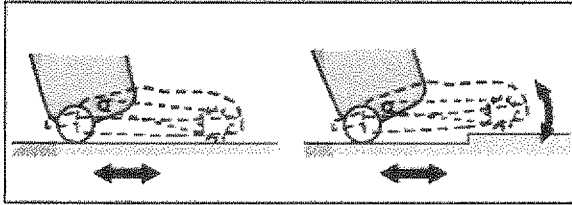


WARNING

Personal Injury and Product Damage Hazard!

- DO NOT plug in if switch is in ON position. Personal injury or product damage could result.
- DO NOT use outlets above counters. Damage to items in surrounding area could occur.

AUTOMATIC HEIGHT ADJUSTMENT

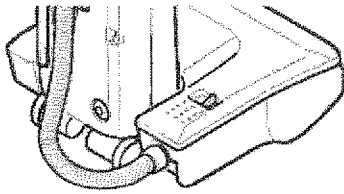


This vacuum cleaner is designed with an Automatic Height Adjustment which adjusts the floor nozzle to the proper height of any carpet pile.

The height of floor nozzle is instantly and automatically adjusted when you move from one carpeted area to another.

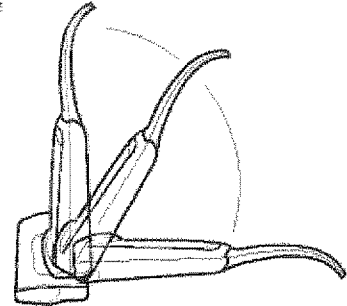
HANDLE RELEASE AND POSITIONS

Release the handle by stepping on the embossed part on either side of the floor nozzle and pulling back and down on the handle with your hand.



The vacuum cleaner has three positions:

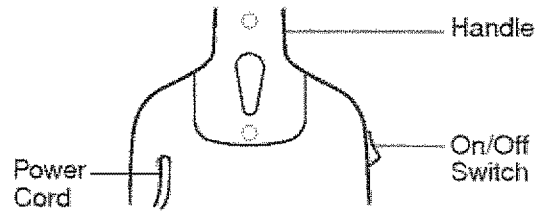
- Upright for storage and when using cleaning tools.
- Angled for carpet and floor cleaning.
- Low for reaching under furniture.



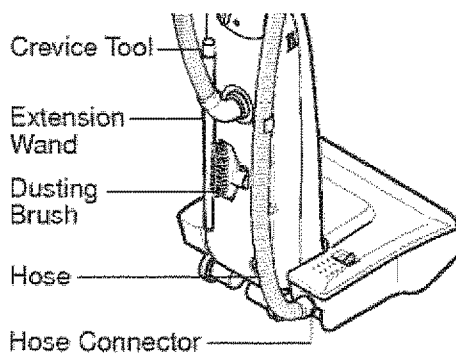
ENGLISH

ON/OFF SWITCH

The On/Off switch is located on the vacuum cleaner body just below and to the side of the handle. Push the switch to ON to start the cleaner and to OFF to stop it.



ATTACHMENTS



NOTE: The motor protector may open causing poor pick up, when using attachments or when cleaning new carpet, due to reduced airflow caused by the attachments themselves, or by new carpet fuzz filling the bag quickly. See CLOG REMOVAL.

TO USE ATTACHMENTS

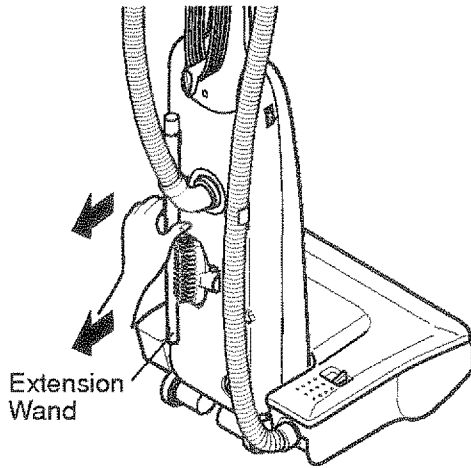
Remove the lower end of the hose from the cleaner by grasping the hose connector, twisting and pulling straight out.



WARNING

Electric shock and Personal Injury Hazard

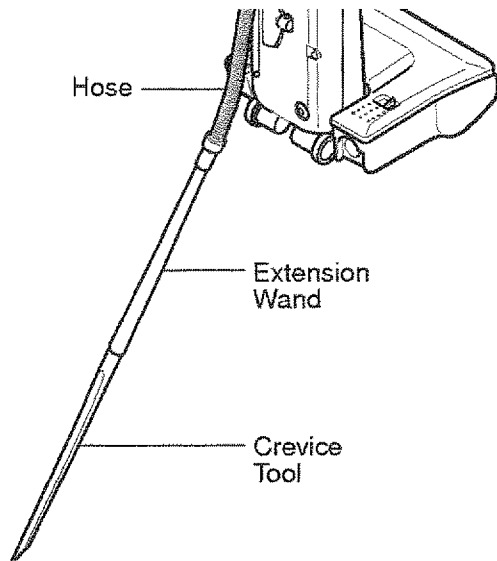
Disconnect electrical supply before servicing or cleaning the unit. Failure to do so could result in electric shock or personal injury from cleaner suddenly starting.



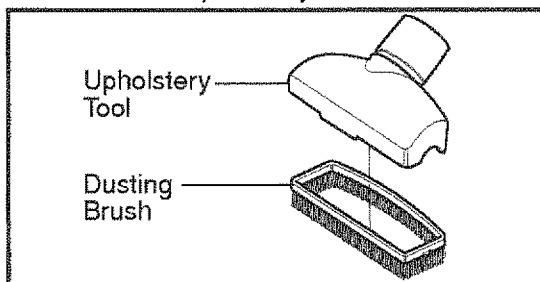
Remove the extension wand from its storage position.

Remove the crevice tool from its storage position in the wand. Attach the extension wand onto the open end of the hose.

Add the crevice tool to the end of the wand by inserting and twisting slightly. The crevice tool doubles as another wand, because the dusting brush/upholstery tool will fit onto its tip, allowing for maximum cleaning reach. The brush/tool may also be attached directly to the extension wand.



The dusting brush has two options. When the front brush is removed the remaining part can be used as an upholstery tool.



CAUTION

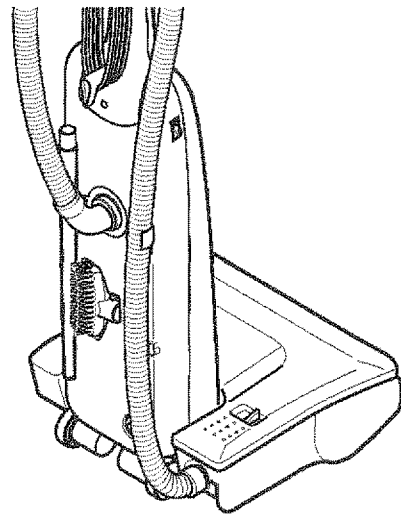
When using attachments, be careful not to overextend the hose when reaching. Trying to reach beyond the hose stretch capability could cause the cleaner to tip over.

TO STORE ATTACHMENTS

Remove dusting brush/upholstery tool from wand. Snap into its storage location.

Remove crevice tool from the wand by twisting.

Remove the extension wand from the hose. Twist the wand and pull from the hose end.



Place the crevice tool down into the extension wand. Snap wand into its storage location.

Be sure the unit is turned off. Reinsert the hose fully into hose coupling from which it was removed. Press firmly to assure connection.






WARNING

Personal Injury Hazard

DO NOT place hands or feet underneath the unit when inserting the hose. The agitator revolves rapidly when the vacuum is turned on.

ATTACHMENT USE CHART

ATTACHMENT	CLEANING AREA				
	Furniture*	Between Cushions*	Drapes*	Stairs	Walls
DUSTING BRUSH 	X		X		X
CREVICE TOOL 	X	X		X	
UPHOLSTERY TOOL 	X		X	X	

* Always clean attachments before using on fabrics.

ENGLISH

VACUUMING TIPS

Carpet edges

Guide either side or the front of the nozzle along a baseboard. The full length brushes help remove dirt at carpet edges.

Stairs

Put handle in full upright position. Use the crevice tool or dusting brush/upholstery tool.

For best cleaning results, keep the airflow passage clear.

Occasionally, check each of the areas indicated for clogs.

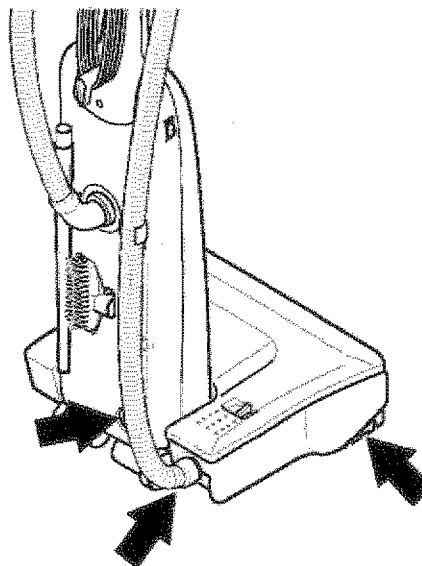
Always unplug the cleaner from the outlet before checking for clogs.



WARNING

Personal Injury Hazard

Use care if vacuum cleaner is placed on stairs. If it falls, personal injury or property damage could result.



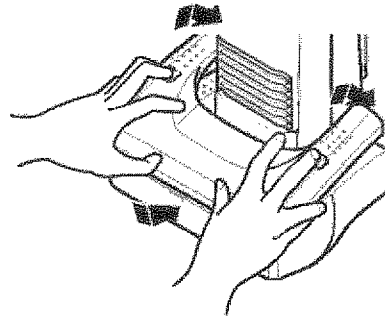
PERFORMANCE FEATURES



WARNING

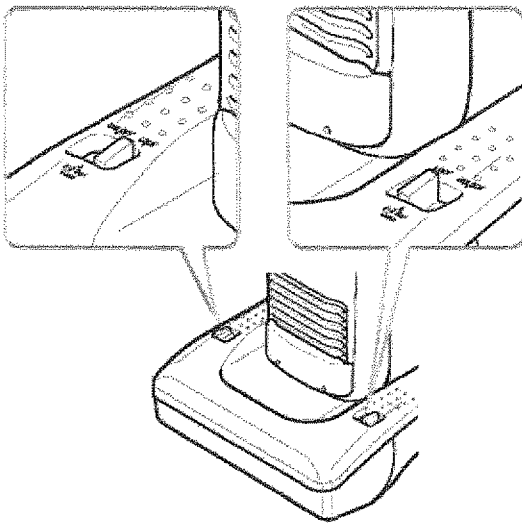
Electric Shock And Personal Injury Hazard

Disconnect electrical supply before servicing or cleaning the unit. Failure to do so could result in electric shock or personal injury from cleaner suddenly starting.

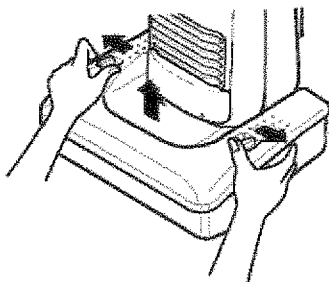


To replace nozzle cover, insert tabs into slots, lower cover onto nozzle, and push latches in to secure.

E-Z BELT CHECK



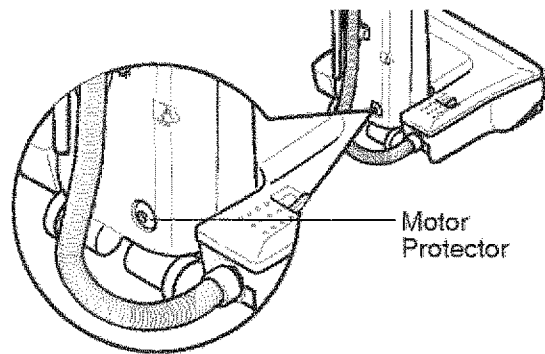
The E-Z Belt Check consists of two latches on the top of the floor nozzle. These latches allow for easy removal of the nozzle cover to change the belt or clean the agitator.



Place thumbs on latches, push outward, and raise cover.

MOTOR PROTECTION SYSTEM

This vacuum has a motor protector by-pass valve which automatically opens to provide cooling air to the motor when a clog prevents the normal flow of air to the motor. If the by-pass valve opens to prevent motor overheating and possible damage to the vacuum, you will notice a change of sound as air rushes through the valve opening.



To correct problem:
Check for and remove clogs.
See CLOG REMOVAL.

VACUUM CLEANER CARE

Always follow all safety precautions when cleaning and servicing the vacuum cleaner.



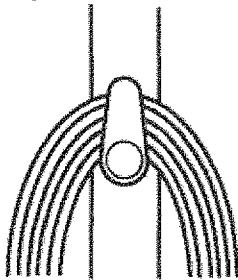
WARNING

Electric Shock And Personal Injury Hazard

Disconnect electrical supply before servicing or cleaning the unit. Failure to do so could result in electric shock or personal injury from cleaner suddenly starting.

VACUUM STORAGE

Gather the cord and wrap it loosely around the quick release cord hanger and lower cord hanger.



Store the cleaner in a dry, indoor area, on the floor with the handle locked in the upright position.



WARNING

Electric Shock And Personal Injury Hazard

Wrapping the cord too tightly puts stress on the cord and can cause cord damage. A damaged cord is an electric shock hazard and could cause personal injury or damage.

CLEANING EXTERIOR AND ATTACHMENTS

Unplug cord from wall outlet. **DO NOT** drip water on cleaner.

Clean exterior using a clean, soft cloth that has been dipped in a solution of mild liquid detergent and water, then wrung dry. Wipe dry after cleaning.

Wash attachments in warm soapy water, rinse and air dry. **Do not clean in dishwasher.**



CAUTION

Do not use attachments if they are wet. Attachments used in dirty areas, such as under a refrigerator, should not be used on other surfaces until they are washed. They could leave marks.

DUST BAG CHANGING

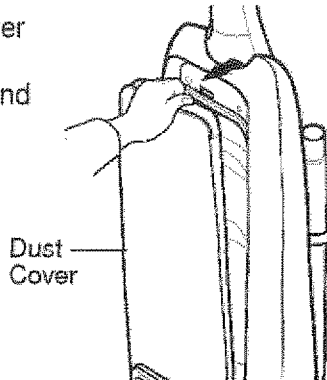
TO REMOVE BAG



WARNING

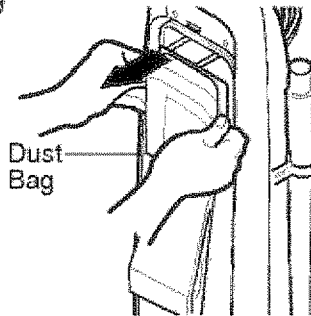
Always unplug power cord from electrical outlet before performing any service on vacuum.

Pull the dust cover grip forward. Remove cover and lay aside.



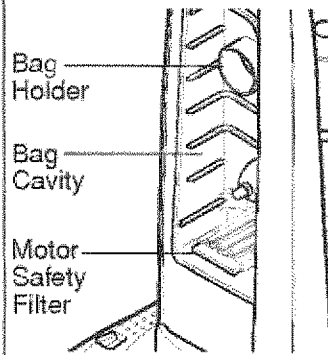
Grasp the dust bag collar and pull gently, carefully removing the dust bag.

Throw away the used dust bag. Do not reuse.



CAUTION

NEVER REUSE A DUST BAG. Very fine materials, such as carpet freshener, face powder, fine dust, plaster, soot, etc. can clog the bag and cause it to burst before it is full. Change bag more often when vacuuming these materials.

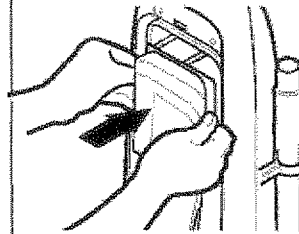


Check the bag holder and the motor safety filter.

If either is blocked, check them. See MOTOR SAFETY FILTER CLEANING.

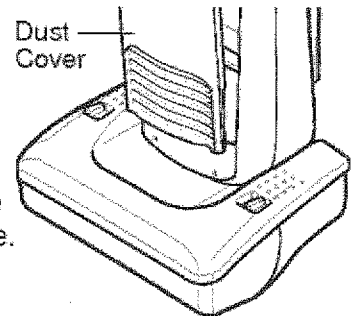
TO REPLACE BAG

Unfold the new dust bag.

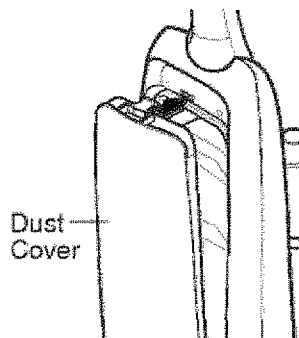


Insert the dust bag onto the bag holder completely by holding the bag collar as shown and snapping it into position.

Be sure bottom of dust bag is completely within dust bag cavity prior to replacing the dust cover.



Position the dust cover so its positioning tab fits into the slot on the vacuum body base.



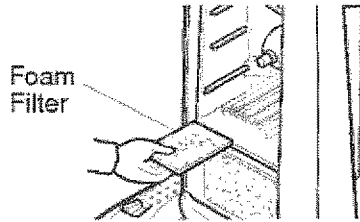
Close the dust cover.

You will hear a distinct snap when cover is securely closed.

MOTOR SAFETY FILTER CLEANING

Check motor safety filter frequently.

If the motor safety filter, located in the bottom of the dust bag cavity is dirty, remove it by pulling forward out from under the ribs.



Wash the foam filter in warm soapy water. Rinse and dry thoroughly by squeezing the filter in your hand and letting it air dry.

DO NOT wash filter in the dishwasher.

DO NOT install damp filter.

Replace the foam filter by sliding it back into place under the ribs in the dust bag cavity.



WARNING

Electric Shock Hazard

Do not operate the cleaner without the motor safety filter. Be sure the filter is dry and properly installed to prevent motor failure and/or electric shock.

Always unplug power cord from electrical outlet before performing any service on vacuum.

ENGLISH

EXHAUST FILTER CLEANING AND REPLACEMENT



WARNING

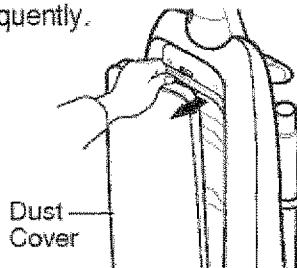
Do not operate without exhaust filter.

Clean the exhaust filter when it becomes dirty, or replace it with a new one. Wash the dirty filter beneath cold, running water to clean it. Allow to air dry before returning it to the vacuum.

Do not attempt to clean the filter with a brush. A brush will permanently damage the filter, causing dust to blow back into the room when you are vacuuming.

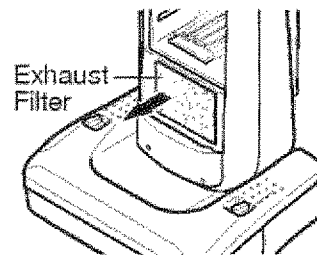
If you use vacuum frequently, you should replace the filter every 6 months.

Check filter frequently.

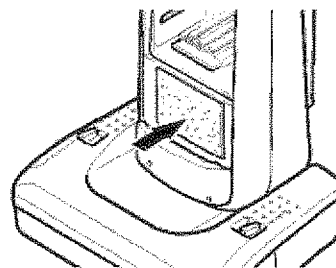


Pull the dust cover forward. Remove and lay aside.

Remove the exhaust filter by pulling it out.



Replace the filter so that the white side faces out.



Carefully replace the dust cover by placing tabs in slots and pushing in until cover snaps into place.

BELT CHANGING AND AGITATOR CLEANING



WARNING

Electric Shock or Personal Injury Hazard

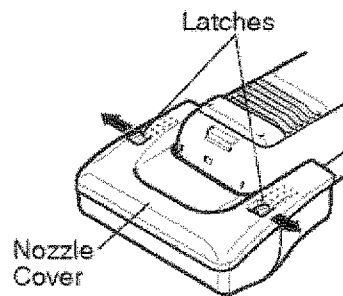
Disconnect electrical supply before servicing or cleaning the unit. Failure to do so could result in electric shock or personal injury from cleaner suddenly starting.

Frequently check and remove hair, string and lint build-up in the brush area. If build-up becomes excessive, follow the steps below.

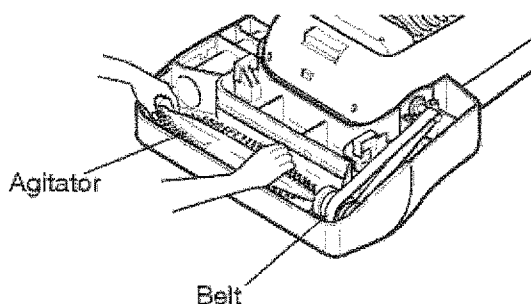
TO REMOVE BELT

Disconnect power cord from electrical outlet.

Slide E-Z Belt
Check latches outward and remove nozzle cover.



Position hands on the agitator. If the belt is still attached to the agitator, sever with scissors and remove it. Carefully lift the right end of the agitator and then the left end.



Note: It may be necessary to pull on the edge of the bumper to allow the ends of the agitator to be removed easily.



WARNING

Personal Injury Hazard

Be careful when removing the agitator as the belt tension is high. Failure to do so could result in personal injury from the agitator releasing quickly and snapping away.

TO CLEAN AGITATOR

Note: In order to keep cleaning efficiency high and to prevent damage to your vacuum, the agitator must be cleaned every time the belt is changed.

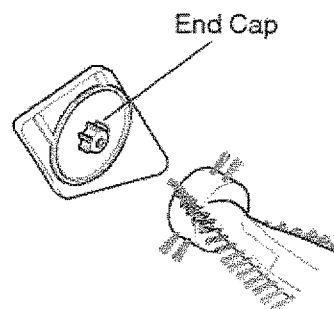
The agitator must be cleaned according to the following schedule:

Vacuum Use	Clean Agitator
HEAVY (used daily)	every week
MODERATE (used 2-3 times/week)	every month
LIGHT (used 1 time/week)	every 2 months



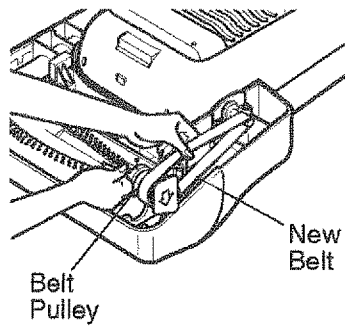
CAUTION

Do not disassemble the end cap, or you will damage the agitator.



TO REPLACE BELT

Loop the new belt on the motor shaft.

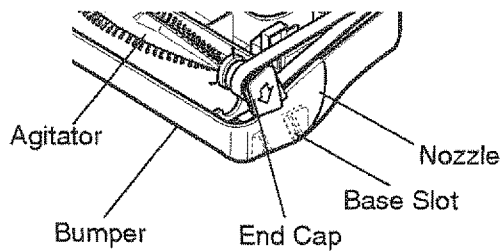


Note: See PARTS AND FEATURES for belt number.

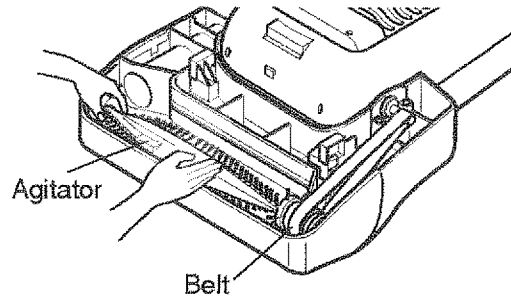
Loop the other end of the belt on the belt pulley on the agitator.

Insert the left end cap, arrow down, into its slot in the nozzle base. Pull the agitator forward and insert the right end cap, arrow down, into its slot in the nozzle base.

Note: Care must be taken due to the belt tension during reassembly.

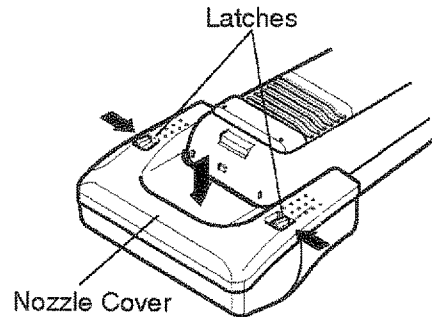


Press firmly, checking to see that each end is completely inserted.



Check to see that the belt is centered on the belt pulley. Turn the agitator with your fingers to see that it turns freely.

Replace the nozzle cover and secure the latches.



ENGLISH

AGITATOR SERVICING



WARNING

Electric Shock or Personal Injury Hazard

Disconnect electrical supply before servicing or cleaning the unit. Failure to do so could result in electric shock or personal injury from cleaner suddenly starting.

TO REPLACE AGITATOR

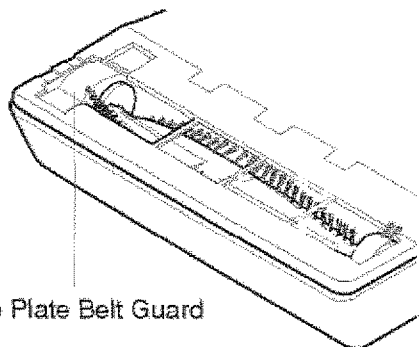
Remove the nozzle cover and agitator. See BELT CHANGING AND AGITATOR CLEANING.

Replace agitator with a new one.

Reassemble the belt, agitator and nozzle cover. See BELT CHANGING AND AGITATOR CLEANING.

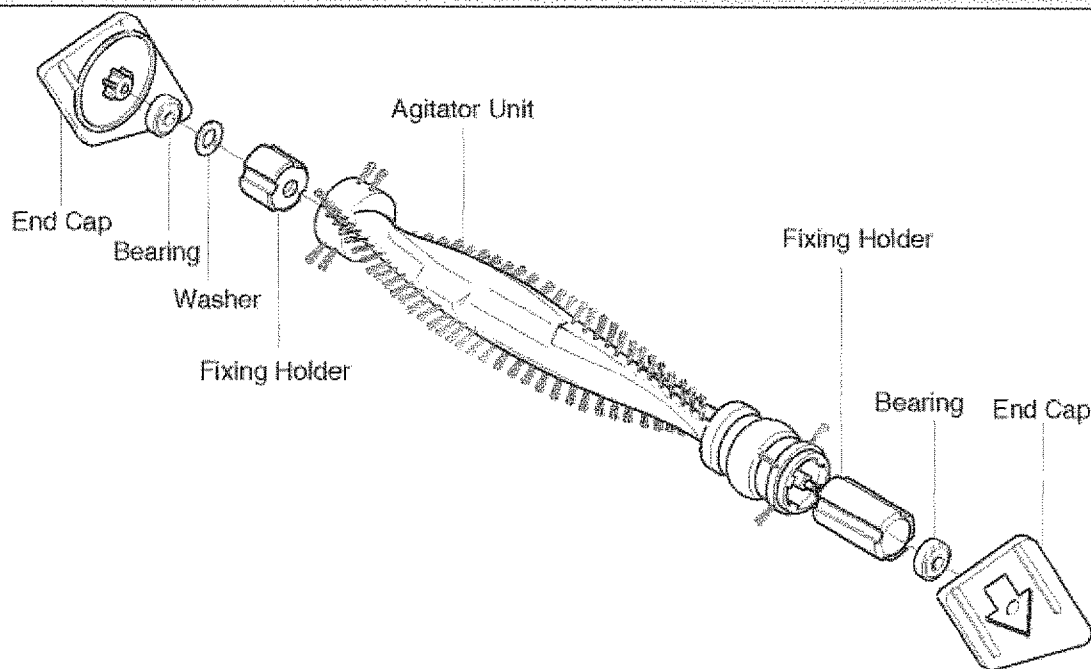
TO CHECK AGITATOR

Turn the vacuum over to check for worn brushes. When brushes are worn to the level of the base plate belt guard, replace the agitator.



Base Plate Belt Guard

AGITATOR ASSEMBLY



CLOG REMOVAL

Always follow all safety precautions when cleaning and servicing the vacuum cleaner.



WARNING

Electric Shock Or Personal Injury Hazard

Disconnect electrical supply before servicing or cleaning the unit. Failure to do so could result in electric shock or personal injury from cleaner suddenly starting.

If the cleaner does not seem to have adequate suction, first check to see if the bag is full or if a filter is clogged. See instructions in DUST BAG CHANGING and MOTOR SAFETY FILTER CLEANING.

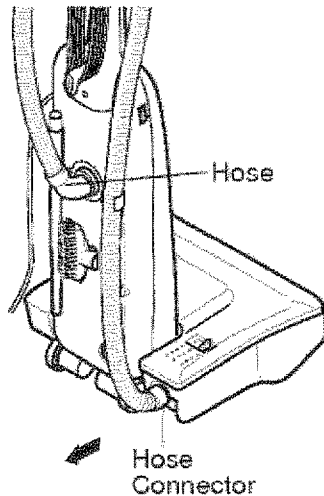
If the bag and filter areas are free of clogs, check the hose area. Remove the lower end of the hose from the cleaner by grasping the hose connector, twisting, and pulling straight out.

Plug in the vacuum and turn it on.

Stretch the hose to maximum length and then allow the hose to return to its storage length.

Turn the unit off and unplug the unit.

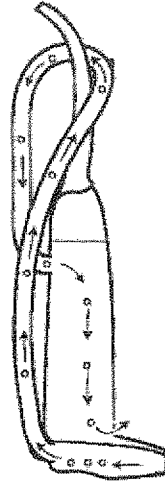
Remove any visible clogs from the hose.



Re-insert the hose into the opening on the lower body from which it was removed. Press firmly to assure connection.

If the bag and filter areas and the hose areas are free of clogs, check the floor nozzle area. To check this area, see the sections on BELT CHANGING AND AGITATOR CLEANING.

Return the cleaner to the upright position before plugging into an electrical outlet.



For best cleaning results, keep the airflow passage open. You should check your vacuum occasionally for clogs. The arrows in this figure indicate the airflow path where clogs occur. Unplug vacuum before checking for clogs.



WARNING

Personal Injury Hazard

DO NOT place hands or feet underneath the unit when inserting the hose. The agitator revolves rapidly when the vacuum is turned on and is in the carpet setting.

ENGLISH

TROUBLESHOOTING

Review this chart to find do-it-yourself solutions for minor performance problems. Any other service needed, other than those described in this owner's manual, should be performed by a Sears or other qualified service representative.



WARNING

Electric Shock Hazard

**Disconnect electrical supply before servicing or cleaning the unit.
Failure to do so could result in electric shock or personal injury.**

PROBLEM	POSSIBLE CAUSE	POSSIBLE SOLUTION
Cleaner won't start.	<ol style="list-style-type: none"> 1. Unplugged at wall outlet. 2. Tripped circuit breaker/blown fuse at household service panel. 3. ON/OFF switch not turned ON. 	<ol style="list-style-type: none"> 1. Plug in firmly, press the ON/OFF switch to ON. 2. Reset circuit breaker or replace fuse. 3. Push ON/OFF switch to ON.
Poor job of dirt pick-up.	<ol style="list-style-type: none"> 1. Full or clogged dust bag. 2. Wrong pile height setting. 3. Worn agitator. 4. Clogged nozzle or dirt tube. 5. Clogged hose. 6. Hole in hose. 7. Broken/misplaced belt. 8. Hose not inserted fully. 9. Motor protection system activated. 10. Dirty filters. 	<ol style="list-style-type: none"> 1. Change dust bag, (page 12). 2. Adjust setting, (page 7). 3. Replace agitator, (page 16). 4. Clean nozzle area, (page 17). 5. Check for clogs, (page 17). 6. Replace hose. 7. Replace/fix belt, (page 14-15). 8. Insert hose fully, (page 7-8). 9. Check for clogs, (page 17). 10. Clean filters, (page 13).
Cleaner picks up movable rugs, or pushes too hard.	<ol style="list-style-type: none"> 1. Wrong pile height setting. 	<ol style="list-style-type: none"> 1. Adjust setting, (page 7).
Agitator does not turn.	<ol style="list-style-type: none"> 1. Broken belt. 2. Belt installed incorrectly. 	<ol style="list-style-type: none"> 1. Replace belt, (page 15). 2. Check BELT CHANGING AND AGITATOR CLEANING, (page 14-15).
Performance indicator, some models, is red.	<ol style="list-style-type: none"> 1. Full or clogged dust bag. 2. Dirty filters. 3. Clogged airflow passage-dirt tube, nozzle, hose. 4. Certain attachment tools. 	<ol style="list-style-type: none"> 1. Change dust bag, (page 12). 2. Clear filters, (page 13). 3. Clear clog from airflow passage, (page 17). 4. Should return to normal when tool is removed.
Air flow restricted with attachment use. Sound changes.	<ol style="list-style-type: none"> 1. Attachment use restricts air flow. 2. New carpet fuzz clogged air path. 	<ol style="list-style-type: none"> 1. Check ATTACHMENTS, (page 7-8). 2. Check CLOG REMOVAL and clean hose, (page 17).
Excessive noise as vacuum is shut off.	<ol style="list-style-type: none"> 1. Belt rubbing on carpet/bare floor selector shaft. 	<ol style="list-style-type: none"> 1. Push selector all the way forward.

MASTER PROTECTION AGREEMENTS

Master Protection Agreements

Congratulations on making a smart purchase. Your new Kenmore® product is designed and manufactured for years of dependable operation.

But like all products, it may require preventive maintenance or repair from time to time.

That's when having a Master Protection Agreement can save you money and aggravation.

Purchase a Master Protection Agreement now and protect yourself from unexpected hassle and expense.

The Master Protection Agreement also helps extend the life of your new product. Here's what's included in the Agreement:

- Expert service** by our 12,000 professional repair specialists
- Unlimited service and no charge** for parts and labor on all covered repairs
- "No-lemon" guarantee** – replacement of your covered product if four or more product failures occur within twelve months
- Product replacement** if your covered product can't be fixed
- Annual Preventive Maintenance Check** at your request – no extra charge
- Fast help by phone** – phone support from a Sears technician on products requiring in-home repair, plus convenient repair scheduling
- Power surge protection** against electrical damage due to power fluctuations
- Rental reimbursement** if repair of your covered product takes longer than promised

Once you purchase the Agreement, a simple phone call is all that it takes for you to schedule service. You can call anytime day or night, or schedule a service appointment online.

Sears has over 12,000 professional repair specialists, who have access to over 4.5 million quality parts and accessories. That's the kind of professionalism you can count on to help prolong the life of your new purchase for years to come. Purchase your Master Protection Agreement today!

Some limitations and exclusions apply.
For prices and additional information call 1-800-827-6655.

Sears Installation Service

For Sears professional installation of home appliances, garage door openers, water heaters, and other major home items, in the U.S.A. call

1-800-4-MY-HOME®

ENGLISH

Get it fixed, at your home or ours!

Your Home

For repair – in your home – of all major brand appliances, lawn and garden equipment, or heating and cooling systems, **no matter who made it, no matter who sold it!**

For the replacement parts, accessories and owner's manuals that you need to do-it-yourself.

For Sears professional installation of home appliances and items like garage door openers and water heaters.

1-800-4-MY-HOME®

(1-800-469-4663)

www.sears.com

24 / 7 / 365

(U.S.A. and Canada)

www.sears.ca

Our Home

For repair of carry-in products like vacuums, lawn equipment, and electronics, call or go on-line for the nearest **Sears Parts and Repair Center.**

1-800-488-1222

24 / 7 / 365

(U.S.A. only)

www.sears.com

To purchase a protection agreement (U.S.A.) or maintenance agreement (Canada) on a product serviced by Sears:

1-800-827-6655 (U.S.A.)

1-800-361-6665 (Canada)

Para pedir servicio de reparación a domicilio, y para ordenar piezas:

1-888-SU-HOGARSM

(1-888-784-6427)

Au Canada pour service en français:

1-800-LE-FOYER^{MC}

(1-800-533-6937)

www.sears.ca

SEARS

© Sears, Roebuck and Co.

© Registered Trademark / TM Trademark / SM Service Mark of Sears, Roebuck and Co.

© Marca Registrada / TM Marca de Fábrica / SM Marca de Servicio de Sears, Roebuck and Co.

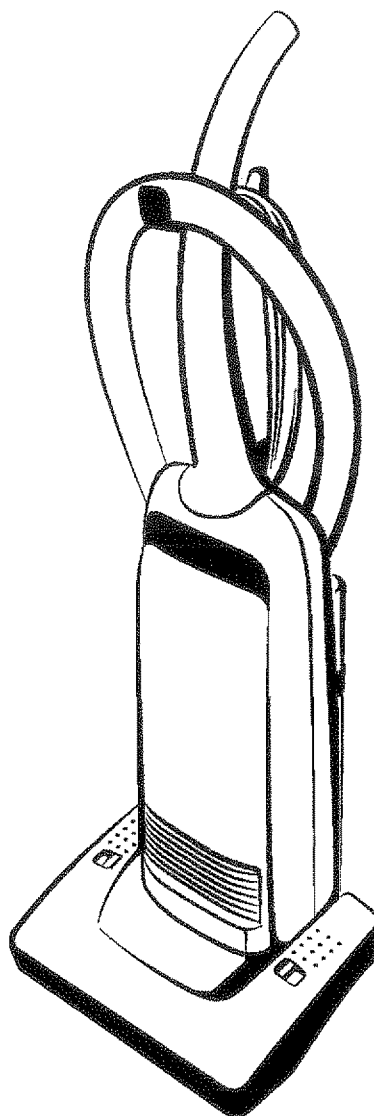
^{MC} Marque de commerce / ^{MD} Marque déposée de Sears, Roebuck and Co.

Owner's Manual
Manual del Propietario



Vacuum Cleaner
Aspiradora

Model, Modelo
721.33078
721.33079



ENGLISH

ESPAÑOL

CAUTION: Read and follow all safety and operating instructions before first use of this product.

CUIDADO: Lea y sigue todas las instrucciones de operación y seguridad antes del uso de este producto.

Directions for Use

It is a violation of Federal law to use this product in a manner inconsistent with its labeling.

Direcciones de uso

Es una violación a la ley Federal utilizar este producto de una manera contraria con su etiquetado.

Sears, Roebuck and Co., Hoffman Estates, IL 60179 U.S.A
www.sears.com

PART No. : 3828FI3841A

Printed in China

TABLE OF CONTENTS

Before Using Your New Vacuum.....	2	Vacuum Cleaner Care.....	11
Kenmore Vacuum Cleaner Warranty	2	Vacuum Storage	11
Important Safety Instructions	3	Cleaning Exterior and Attachments	11
Parts and Features	4	Dust Bag Changing.....	12
Assembly Instructions	5	Motor Safety Filter Cleaning	13
Operating Instructions	6	Exhaust Filter Cleaning and Replacement	13
Cord Release.....	6	Belt Changing and Agitator Cleaning.....	14
Automatic Height Adjustment	7	Agitator Servicing.....	16
Handle Release and Positions.....	7	Agitator Assembly.....	16
On/Off Switch.....	7	Clog Removal	17
Attachments.....	7	Troubleshooting	18
Attachments Use Chart.....	9	Master Protection Agreements.....	19
Vacuuming Tips.....	9	Service	Back Cover
Performance Features	10		

BEFORE USING YOUR NEW VACUUM

Please read this guide. It will help you assemble and operate your new Kenmore vacuum in the safest and most effective way.

For more information about the care and operation, call your nearest Sears store.

You will need the complete model and serial numbers when requesting information.

Your vacuum's model and serial numbers are located on the Model and Serial Number Plate.

Use the space below to record the model number and serial number of your new Kenmore vacuum.

Model No. _____

Serial No. _____

Date of Purchase _____

Keep this book and your sales check (receipt) in a safe place for future reference.

KENMORE VACUUM CLEANER WARRANTY

LIMITED ONE YEAR WARRANTY ON KENMORE VACUUM CLEANER

This warranty is for one year from the date of purchase, and includes only private household vacuum cleaner use. During the warranty year, when this vacuum cleaner is operated and maintained according to the owner's manual instructions, Sears will repair any defects in material or workmanship free of charge.

This warranty excludes vacuum bags, belts, light bulbs, and filters, which are expendable parts and become worn during normal use.

For warranty service, return this vacuum cleaner to the nearest Sears Parts and Repair Center in the United States.

This warranty applies only while this product is in use in the United States.

This warranty gives you specific legal rights, and you may also have other rights which vary from state to state.

Sears, Roebuck and Co., D/817WA, Hoffman Estates, IL 60179

IMPORTANT SAFETY INSTRUCTIONS



WARNING - To reduce the risk of fire, electric shock, or injury:

Your safety is important to us. To reduce the risk of fire, electric shock, injury to persons or damage when using your vacuum cleaner, follow basic safety precautions including the following:

Read this manual before assembling or using your vacuum cleaner.

Use your cleaner only as described in this manual. Use only with supplied attachments.

To reduce the risk of electric shock - Do not use outdoors or on wet surfaces.

Disconnect electrical supply before servicing or cleaning out brush area. Failure to do so could result in electric shock or brush suddenly starting.

Always turn cleaner off before connecting or disconnecting the hose.

Always turn cleaner off before unplugging.

Do not unplug by pulling on cord. To unplug, grasp the plug, not the cord.

Hold plug when rewinding onto cord reel.

Do not allow plug to whip when rewinding.

Do not use with damaged cord or plug. If cleaner is not working as it should, has been dropped, damaged, left outdoors, or dropped into water, return it to a Sears Service Center.

Do not pull or carry by cord, use cord as a handle, close door on cord, or pull cord around sharp edges or corners. Do not run cleaner over cord. Keep cord away from heated surfaces.

Do not leave cleaner when plugged in. Unplug from outlet when not in use and before servicing.

Do not allow to be used as a toy. Close attention is necessary when used by or near children.

Do not handle plug or cleaner with wet hands.

Do not operate the cleaner with a punctured hose. Replace if cut or worn. Avoid vacuuming sharp objects.

Do not use with any opening blocked; keep free of dust, lint, hair and anything that may reduce air flow.

Keep hair, loose clothing, fingers, and all parts of body away from openings and moving parts. Do not use cleaner without dust bag and/or filters in place.

Always change the dust bag after vacuuming carpet cleaners or freshener, powders and fine dust. These products clog the bag, reduce airflow and can cause the bag to burst. Failure to change bag could cause permanent damage to the cleaner.

Do not use the cleaner to pick up sharp hard objects, small toys, pins, paper, etc. They may damage the cleaner or dust bag.

Do not pick up anything that is burning or smoking, such as cigarettes, matches, or hot ashes.

Do not use vacuum cleaner to pick up flammable or combustible liquids (gasoline, cleaning fluids, perfumes, etc.), or use in areas where they may be present. The fumes from these substances can create a fire hazard or explosion.

Use extra care when cleaning on stairs. Do not put on chairs, tables, etc. Keep on floor.

You are responsible for making sure that your vacuum cleaner is not used by anyone unable to operate it properly.

ENGLISH

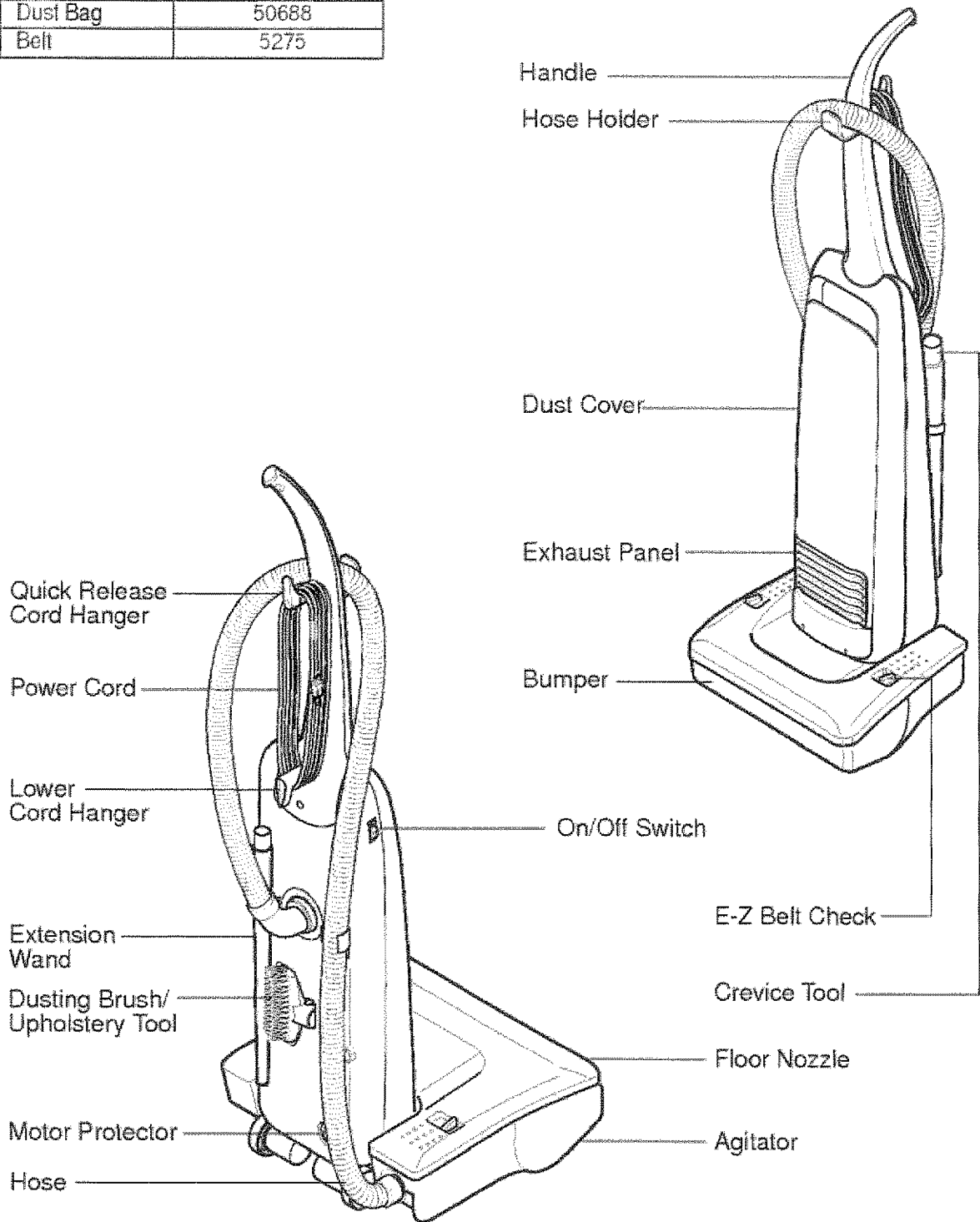
SAVE THESE INSTRUCTIONS

Proper assembly and safe use of your vacuum cleaner are your responsibilities. Your cleaner is intended only for household use. Read this Owner's Manual carefully for important use and safety information. This guide contains safety statements under warning and caution symbols. Please pay special attention to these boxes and follow any instructions given. **WARNING** statements alert you to such hazards as fire, electric shock, burns and serious personal injury. **CAUTION** statements alert you to such hazards as moderate personal injury and/or property damage.

PARTS AND FEATURES

It is important to know your vacuum cleaner's parts and features to assure its proper and safe use. Review these before using your cleaner.

Item	Part No.
Dust Bag	50688
Belt	5275



ASSEMBLY INSTRUCTIONS

Before assembling your vacuum, check the **PACKING LIST** on the cover of the separate **Parts List**. Use this list to verify that you have received all the components of your new Kenmore vacuum.



WARNING

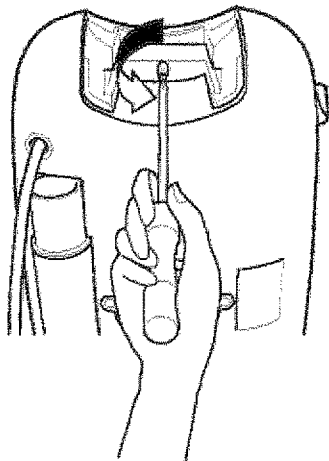
Electric Shock Hazard

Do not plug into the electrical supply until the assembly is complete.

Failure to do so could result in electric shock or injury.

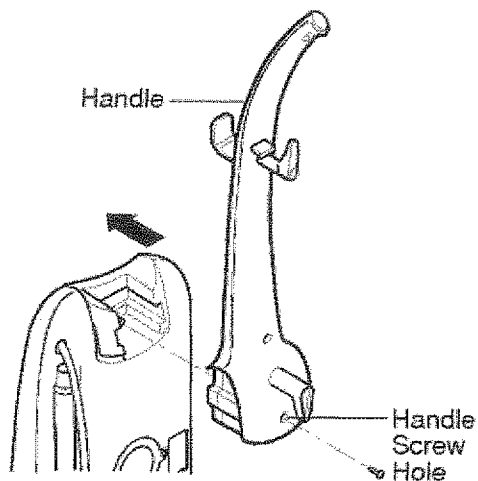
HANDLE ASSEMBLY

Remove the screw located just below the top edge of the back of the vacuum.

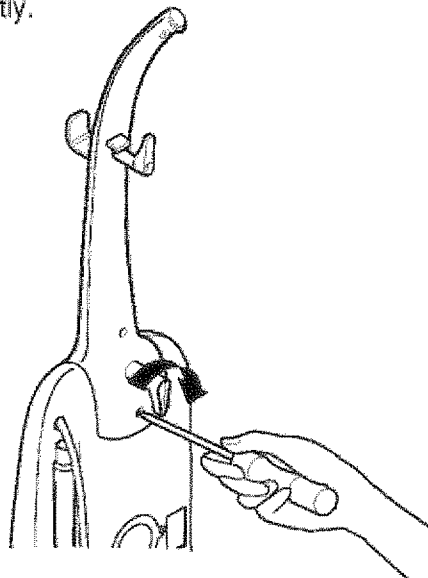


Position the handle as shown below and slide the handle into the opening at the top of the vacuum.

Insert the screw so it passes through the handle into the vacuum.



Tighten the screw securely with a screwdriver. It may be necessary to adjust the handle slightly.



CAUTION

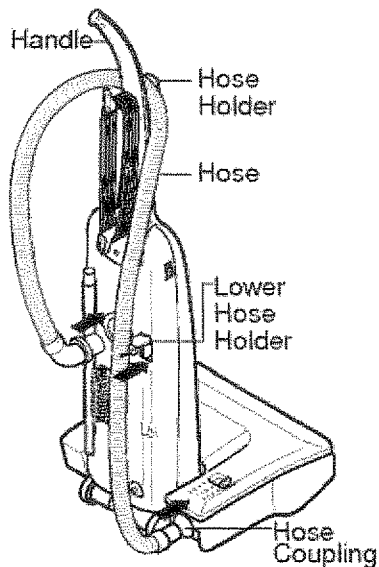
Do not overtighten.

Overtightening could strip the screw holes. Do not operate the cleaner without the screw in place.

ENGLISH

HOSE ASSEMBLY

After the handle has been assembled to the body and power cord has been wrapped around the cord hangers, insert the upper end of the hose into the opening on the body and place the hose over the hose holder.

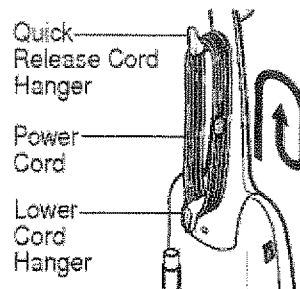
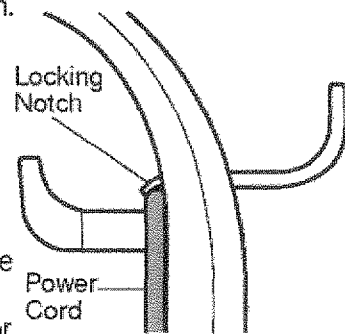


And then attach the lower hose holder provided in the accessory bag to the body and clip hose into the holder and slide hose onto the hose coupling on floor nozzle and twist hose. Make sure hose is firmly connected before using the vacuum.

CORD ASSEMBLY

Make sure the quick release cord hanger is in the upright position.

Lock the cord into place by forcing it into the locking notch on the body of the upper cord hanger as shown. This helps keep the power cord out of the path of the floor nozzle.



Wrap the power cord around the quick release cord hanger and lower cord hanger, and clip the plug onto the power cord.

OPERATING INSTRUCTIONS

CORD RELEASE

1. Turn the quick release cord hanger to either side and down to release the power cord.
2. Unclip the power cord plug from the power cord and pull the cord off the quick release cord hanger. Check to be sure the power cord is still locked into the locking notch. See CORD ASSEMBLY.
3. Check to see if the cleaner has bag installed. See DUST BAG CHANGING.
4. Plug the polarized power cord into a 120 Volt electrical outlet.

NOTE: To reduce the risk of electric shock, this vacuum cleaner has a polarized plug, one blade is wider than the other. This plug will fit in a polarized outlet only one way. If the plug does not fit fully in the outlet, reverse the plug. If it still does not fit, contact a qualified electrician to install the proper outlet. Do not change the plug in any way.

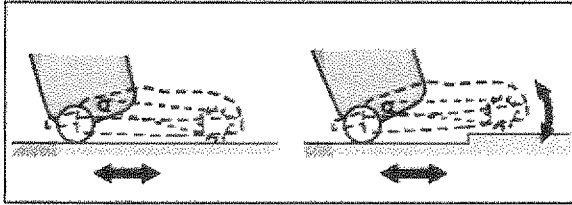


WARNING

Personal Injury and Product Damage Hazard!

- DO NOT plug in if switch is in ON position. Personal injury or product damage could result.
- DO NOT use outlets above counters. Damage to items in surrounding area could occur.

AUTOMATIC HEIGHT ADJUSTMENT

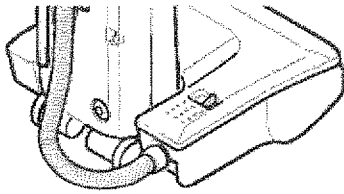


This vacuum cleaner is designed with an Automatic Height Adjustment which adjusts the floor nozzle to the proper height of any carpet pile.

The height of floor nozzle is instantly and automatically adjusted when you move from one carpeted area to another.

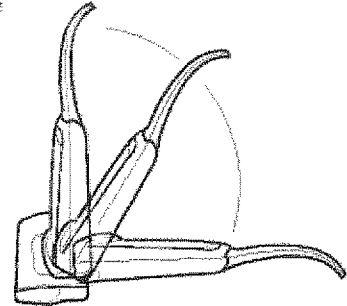
HANDLE RELEASE AND POSITIONS

Release the handle by stepping on the embossed part on either side of the floor nozzle and pulling back and down on the handle with your hand.



The vacuum cleaner has three positions:

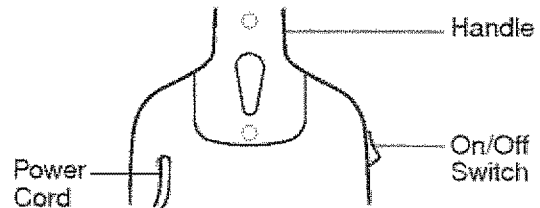
- Upright for storage and when using cleaning tools.
- Angled for carpet and floor cleaning.
- Low for reaching under furniture.



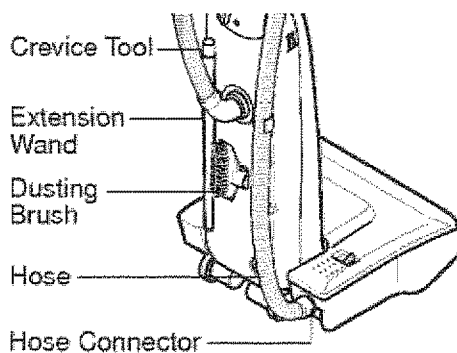
ENGLISH

ON/OFF SWITCH

The On/Off switch is located on the vacuum cleaner body just below and to the side of the handle. Push the switch to ON to start the cleaner and to OFF to stop it.



ATTACHMENTS



TO USE ATTACHMENTS

Remove the lower end of the hose from the cleaner by grasping the hose connector, twisting and pulling straight out.

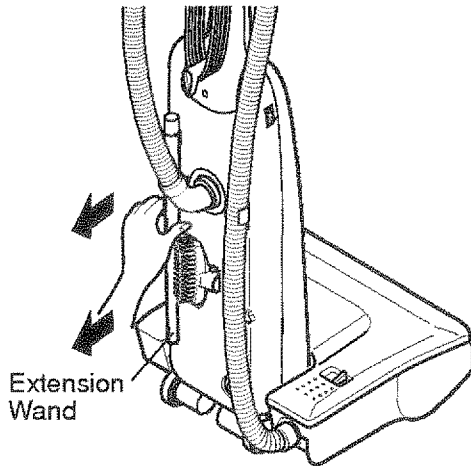
NOTE: The motor protector may open causing poor pick up, when using attachments or when cleaning new carpet, due to reduced airflow caused by the attachments themselves, or by new carpet fuzz filling the bag quickly. See CLOG REMOVAL.



WARNING

Electric shock and Personal Injury Hazard

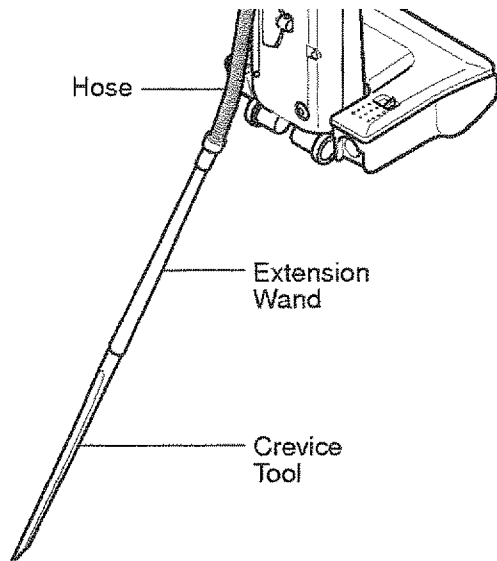
Disconnect electrical supply before servicing or cleaning the unit. Failure to do so could result in electric shock or personal injury from cleaner suddenly starting.



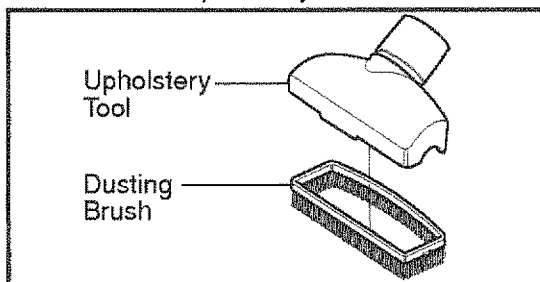
Remove the extension wand from its storage position.

Remove the crevice tool from its storage position in the wand. Attach the extension wand onto the open end of the hose.

Add the crevice tool to the end of the wand by inserting and twisting slightly. The crevice tool doubles as another wand, because the dusting brush/upholstery tool will fit onto its tip, allowing for maximum cleaning reach. The brush/tool may also be attached directly to the extension wand.



The dusting brush has two options. When the front brush is removed the remaining part can be used as an upholstery tool.



CAUTION

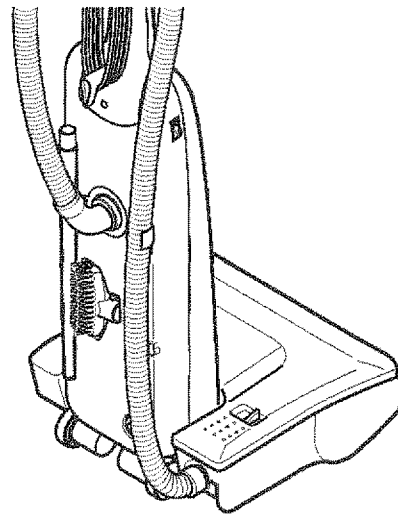
When using attachments, be careful not to overextend the hose when reaching. Trying to reach beyond the hose stretch capability could cause the cleaner to tip over.

TO STORE ATTACHMENTS

Remove dusting brush/upholstery tool from wand. Snap into its storage location.

Remove crevice tool from the wand by twisting.

Remove the extension wand from the hose. Twist the wand and pull from the hose end.



Place the crevice tool down into the extension wand. Snap wand into its storage location.

Be sure the unit is turned off. Reinsert the hose fully into hose coupling from which it was removed. Press firmly to assure connection.






WARNING

Personal Injury Hazard

DO NOT place hands or feet underneath the unit when inserting the hose. The agitator revolves rapidly when the vacuum is turned on.

ATTACHMENT USE CHART

ATTACHMENT	CLEANING AREA				
	Furniture*	Between Cushions*	Drapes*	Stairs	Walls
DUSTING BRUSH 	X		X		X
CREVICE TOOL 	X	X		X	
UPHOLSTERY TOOL 	X		X	X	

* Always clean attachments before using on fabrics.

ENGLISH

VACUUMING TIPS

Carpet edges

Guide either side or the front of the nozzle along a baseboard. The full length brushes help remove dirt at carpet edges.

Stairs

Put handle in full upright position. Use the crevice tool or dusting brush/upholstery tool.

For best cleaning results, keep the airflow passage clear.

Occasionally, check each of the areas indicated for clogs.

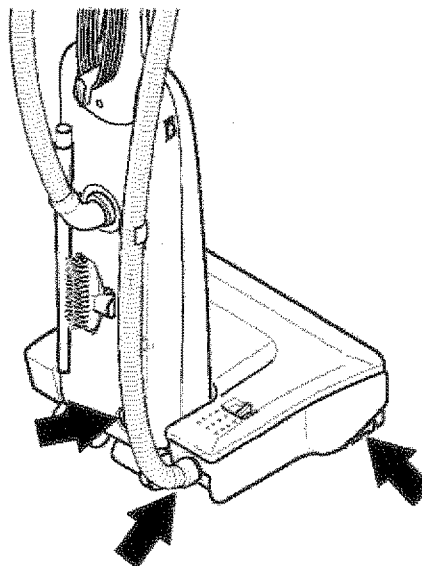
Always unplug the cleaner from the outlet before checking for clogs.



WARNING

Personal Injury Hazard

Use care if vacuum cleaner is placed on stairs. If it falls, personal injury or property damage could result.



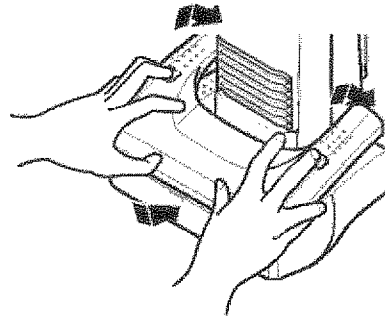
PERFORMANCE FEATURES



WARNING

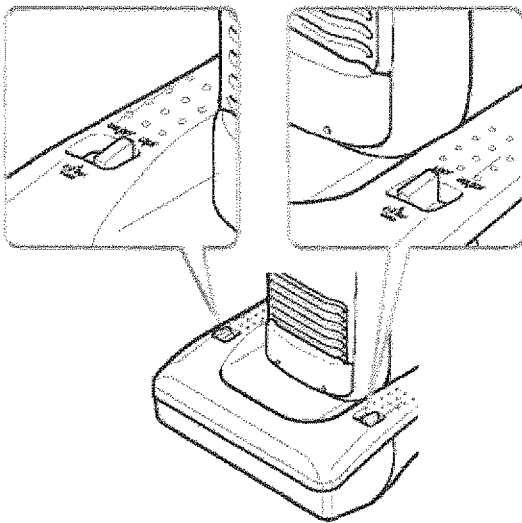
Electric Shock And Personal Injury Hazard

Disconnect electrical supply before servicing or cleaning the unit. Failure to do so could result in electric shock or personal injury from cleaner suddenly starting.

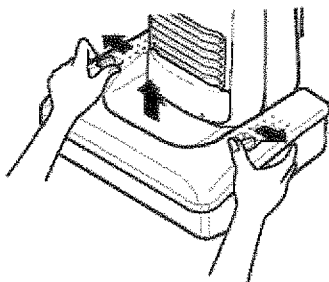


To replace nozzle cover, insert tabs into slots, lower cover onto nozzle, and push latches in to secure.

E-Z BELT CHECK



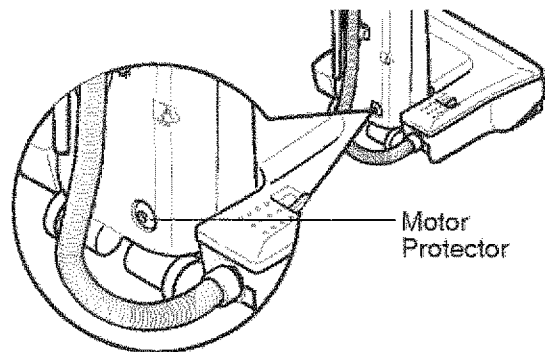
The E-Z Belt Check consists of two latches on the top of the floor nozzle. These latches allow for easy removal of the nozzle cover to change the belt or clean the agitator.



Place thumbs on latches, push outward, and raise cover.

MOTOR PROTECTION SYSTEM

This vacuum has a motor protector by-pass valve which automatically opens to provide cooling air to the motor when a clog prevents the normal flow of air to the motor. If the by-pass valve opens to prevent motor overheating and possible damage to the vacuum, you will notice a change of sound as air rushes through the valve opening.



To correct problem:
Check for and remove clogs.
See CLOG REMOVAL.

VACUUM CLEANER CARE

Always follow all safety precautions when cleaning and servicing the vacuum cleaner.



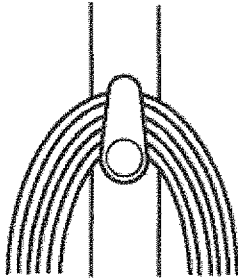
WARNING

Electric Shock And Personal Injury Hazard

Disconnect electrical supply before servicing or cleaning the unit. Failure to do so could result in electric shock or personal injury from cleaner suddenly starting.

VACUUM STORAGE

Gather the cord and wrap it loosely around the quick release cord hanger and lower cord hanger.



Store the cleaner in a dry, indoor area, on the floor with the handle locked in the upright position.



WARNING

Electric Shock And Personal Injury Hazard

Wrapping the cord too tightly puts stress on the cord and can cause cord damage. A damaged cord is an electric shock hazard and could cause personal injury or damage.

CLEANING EXTERIOR AND ATTACHMENTS

Unplug cord from wall outlet. **DO NOT** drip water on cleaner.

Clean exterior using a clean, soft cloth that has been dipped in a solution of mild liquid detergent and water, then wrung dry. Wipe dry after cleaning.

Wash attachments in warm soapy water, rinse and air dry. **Do not clean in dishwasher.**



CAUTION

Do not use attachments if they are wet. Attachments used in dirty areas, such as under a refrigerator, should not be used on other surfaces until they are washed. They could leave marks.

DUST BAG CHANGING

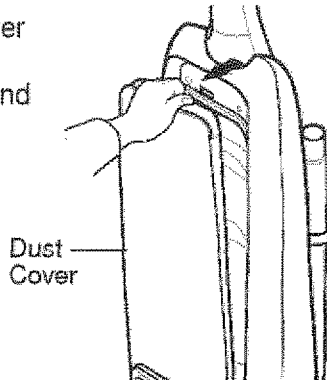
TO REMOVE BAG



WARNING

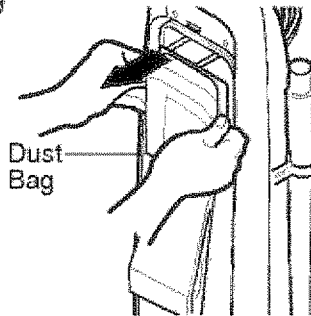
Always unplug power cord from electrical outlet before performing any service on vacuum.

Pull the dust cover grip forward. Remove cover and lay aside.



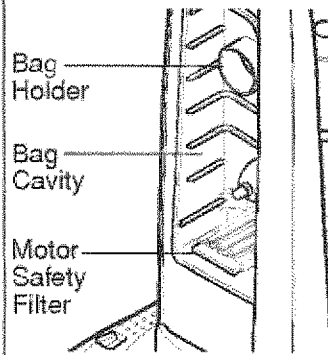
Grasp the dust bag collar and pull gently, carefully removing the dust bag.

Throw away the used dust bag. Do not reuse.



CAUTION

NEVER REUSE A DUST BAG. Very fine materials, such as carpet freshener, face powder, fine dust, plaster, soot, etc. can clog the bag and cause it to burst before it is full. Change bag more often when vacuuming these materials.

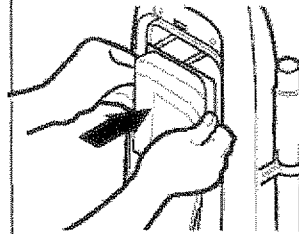


Check the bag holder and the motor safety filter.

If either is blocked, check them. See MOTOR SAFETY FILTER CLEANING.

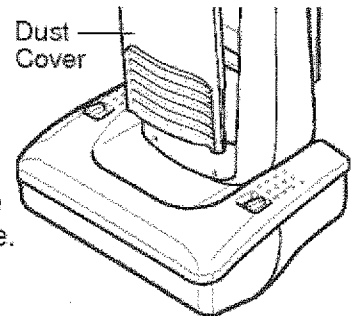
TO REPLACE BAG

Unfold the new dust bag.

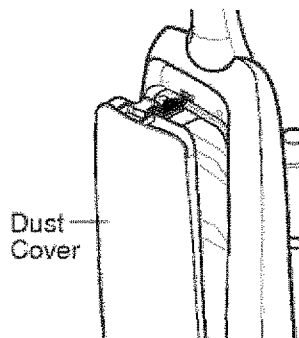


Insert the dust bag onto the bag holder completely by holding the bag collar as shown and snapping it into position.

Be sure bottom of dust bag is completely within dust bag cavity prior to replacing the dust cover.



Position the dust cover so its positioning tab fits into the slot on the vacuum body base.



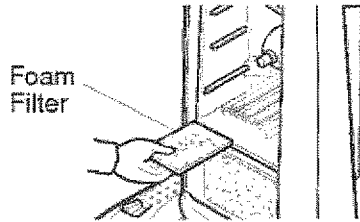
Close the dust cover.

You will hear a distinct snap when cover is securely closed.

MOTOR SAFETY FILTER CLEANING

Check motor safety filter frequently.

If the motor safety filter, located in the bottom of the dust bag cavity is dirty, remove it by pulling forward out from under the ribs.



Wash the foam filter in warm soapy water. Rinse and dry thoroughly by squeezing the filter in your hand and letting it air dry.

DO NOT wash filter in the dishwasher.

DO NOT install damp filter.

Replace the foam filter by sliding it back into place under the ribs in the dust bag cavity.



WARNING

Electric Shock Hazard

Do not operate the cleaner without the motor safety filter. Be sure the filter is dry and properly installed to prevent motor failure and/or electric shock.

Always unplug power cord from electrical outlet before performing any service on vacuum.

ENGLISH

EXHAUST FILTER CLEANING AND REPLACEMENT



WARNING

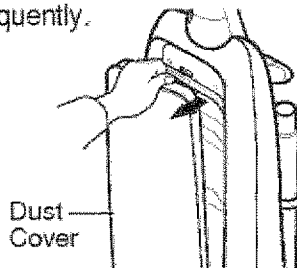
Do not operate without exhaust filter.

Clean the exhaust filter when it becomes dirty, or replace it with a new one. Wash the dirty filter beneath cold, running water to clean it. Allow to air dry before returning it to the vacuum.

Do not attempt to clean the filter with a brush. A brush will permanently damage the filter, causing dust to blow back into the room when you are vacuuming.

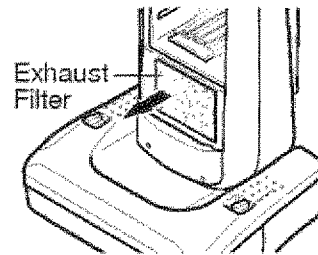
If you use vacuum frequently, you should replace the filter every 6 months.

Check filter frequently.

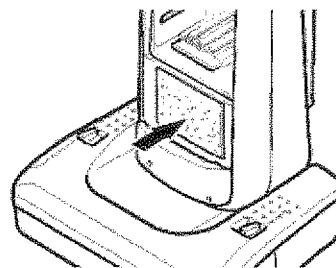


Pull the dust cover forward. Remove and lay aside.

Remove the exhaust filter by pulling it out.



Replace the filter so that the white side faces out.



Carefully replace the dust cover by placing tabs in slots and pushing in until cover snaps into place.

BELT CHANGING AND AGITATOR CLEANING



WARNING

Electric Shock or Personal Injury Hazard

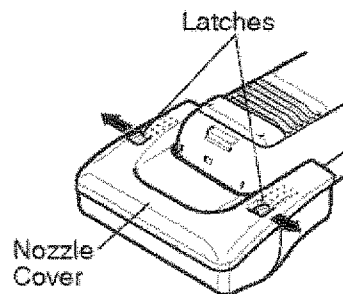
Disconnect electrical supply before servicing or cleaning the unit. Failure to do so could result in electric shock or personal injury from cleaner suddenly starting.

Frequently check and remove hair, string and lint build-up in the brush area. If build-up becomes excessive, follow the steps below.

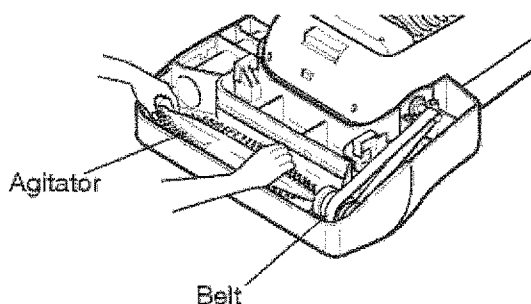
TO REMOVE BELT

Disconnect power cord from electrical outlet.

Slide E-Z Belt
Check latches outward and remove nozzle cover.



Position hands on the agitator. If the belt is still attached to the agitator, sever with scissors and remove it. Carefully lift the right end of the agitator and then the left end.



Note: It may be necessary to pull on the edge of the bumper to allow the ends of the agitator to be removed easily.



WARNING

Personal Injury Hazard

Be careful when removing the agitator as the belt tension is high. Failure to do so could result in personal injury from the agitator releasing quickly and snapping away.

TO CLEAN AGITATOR

Note: In order to keep cleaning efficiency high and to prevent damage to your vacuum, the agitator must be cleaned every time the belt is changed.

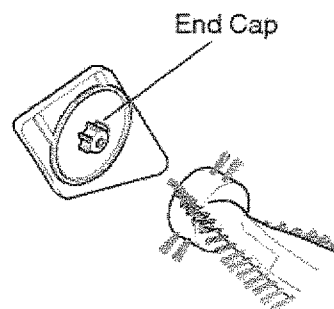
The agitator must be cleaned according to the following schedule:

Vacuum Use	Clean Agitator
HEAVY (used daily)	every week
MODERATE (used 2-3 times/week)	every month
LIGHT (used 1 time/week)	every 2 months



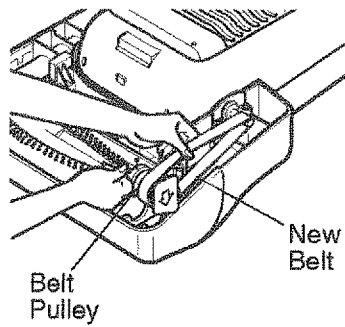
CAUTION

Do not disassemble the end cap, or you will damage the agitator.



TO REPLACE BELT

Loop the new belt on the motor shaft.

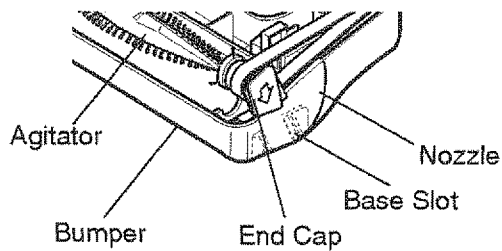


Note: See PARTS AND FEATURES for belt number.

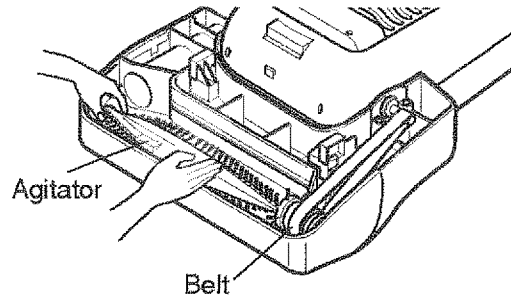
Loop the other end of the belt on the belt pulley on the agitator.

Insert the left end cap, arrow down, into its slot in the nozzle base. Pull the agitator forward and insert the right end cap, arrow down, into its slot in the nozzle base.

Note: Care must be taken due to the belt tension during reassembly.

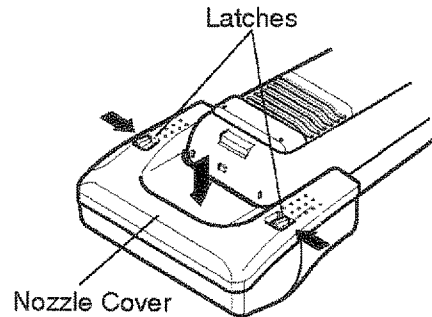


Press firmly, checking to see that each end is completely inserted.



Check to see that the belt is centered on the belt pulley. Turn the agitator with your fingers to see that it turns freely.

Replace the nozzle cover and secure the latches.



ENGLISH

AGITATOR SERVICING



WARNING

Electric Shock or Personal Injury Hazard

Disconnect electrical supply before servicing or cleaning the unit. Failure to do so could result in electric shock or personal injury from cleaner suddenly starting.

TO REPLACE AGITATOR

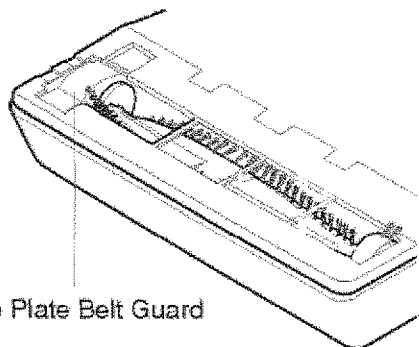
Remove the nozzle cover and agitator. See BELT CHANGING AND AGITATOR CLEANING.

Replace agitator with a new one.

Reassemble the belt, agitator and nozzle cover. See BELT CHANGING AND AGITATOR CLEANING.

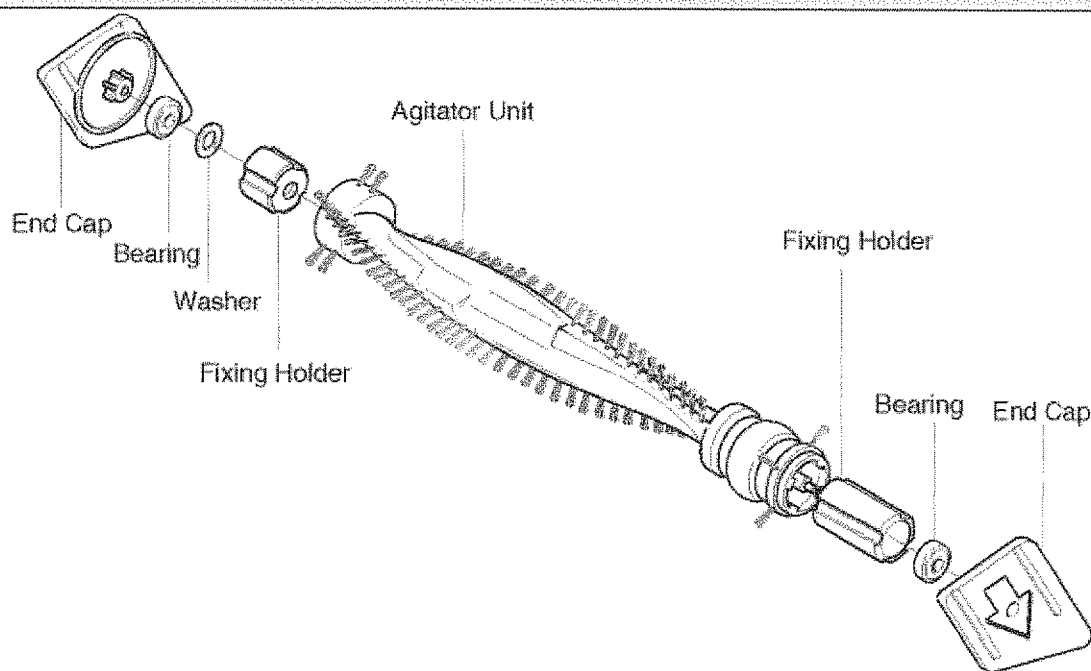
TO CHECK AGITATOR

Turn the vacuum over to check for worn brushes. When brushes are worn to the level of the base plate belt guard, replace the agitator.



Base Plate Belt Guard

AGITATOR ASSEMBLY



CLOG REMOVAL

Always follow all safety precautions when cleaning and servicing the vacuum cleaner.



WARNING

Electric Shock Or Personal Injury Hazard

Disconnect electrical supply before servicing or cleaning the unit. Failure to do so could result in electric shock or personal injury from cleaner suddenly starting.

If the cleaner does not seem to have adequate suction, first check to see if the bag is full or if a filter is clogged. See instructions in DUST BAG CHANGING and MOTOR SAFETY FILTER CLEANING.

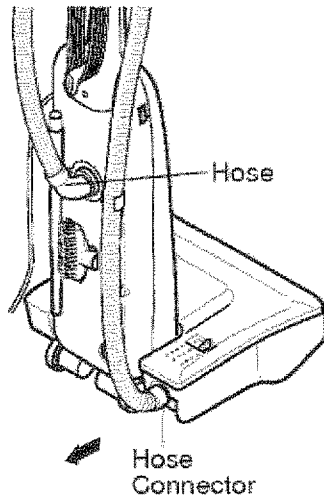
If the bag and filter areas are free of clogs, check the hose area. Remove the lower end of the hose from the cleaner by grasping the hose connector, twisting, and pulling straight out.

Plug in the vacuum and turn it on.

Stretch the hose to maximum length and then allow the hose to return to its storage length.

Turn the unit off and unplug the unit.

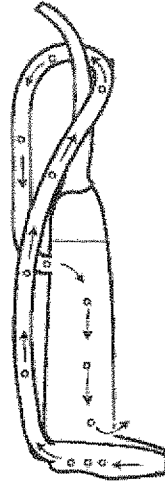
Remove any visible clogs from the hose.



Re-insert the hose into the opening on the lower body from which it was removed. Press firmly to assure connection.

If the bag and filter areas and the hose areas are free of clogs, check the floor nozzle area. To check this area, see the sections on BELT CHANGING AND AGITATOR CLEANING.

Return the cleaner to the upright position before plugging into an electrical outlet.



For best cleaning results, keep the airflow passage open. You should check your vacuum occasionally for clogs. The arrows in this figure indicate the airflow path where clogs occur. Unplug vacuum before checking for clogs.



WARNING

Personal Injury Hazard

DO NOT place hands or feet underneath the unit when inserting the hose. The agitator revolves rapidly when the vacuum is turned on and is in the carpet setting.

ENGLISH

TROUBLESHOOTING

Review this chart to find do-it-yourself solutions for minor performance problems. Any other service needed, other than those described in this owner's manual, should be performed by a Sears or other qualified service representative.



WARNING

Electric Shock Hazard

**Disconnect electrical supply before servicing or cleaning the unit.
Failure to do so could result in electric shock or personal injury.**

PROBLEM	POSSIBLE CAUSE	POSSIBLE SOLUTION
Cleaner won't start.	<ol style="list-style-type: none"> 1. Unplugged at wall outlet. 2. Tripped circuit breaker/blown fuse at household service panel. 3. ON/OFF switch not turned ON. 	<ol style="list-style-type: none"> 1. Plug in firmly, press the ON/OFF switch to ON. 2. Reset circuit breaker or replace fuse. 3. Push ON/OFF switch to ON.
Poor job of dirt pick-up.	<ol style="list-style-type: none"> 1. Full or clogged dust bag. 2. Wrong pile height setting. 3. Worn agitator. 4. Clogged nozzle or dirt tube. 5. Clogged hose. 6. Hole in hose. 7. Broken/misplaced belt. 8. Hose not inserted fully. 9. Motor protection system activated. 10. Dirty filters. 	<ol style="list-style-type: none"> 1. Change dust bag, (page 12). 2. Adjust setting, (page 7). 3. Replace agitator, (page 16). 4. Clean nozzle area, (page 17). 5. Check for clogs, (page 17). 6. Replace hose. 7. Replace/fix belt, (page 14-15). 8. Insert hose fully, (page 7-8). 9. Check for clogs, (page 17). 10. Clean filters, (page 13).
Cleaner picks up movable rugs, or pushes too hard.	<ol style="list-style-type: none"> 1. Wrong pile height setting. 	<ol style="list-style-type: none"> 1. Adjust setting, (page 7).
Agitator does not turn.	<ol style="list-style-type: none"> 1. Broken belt. 2. Belt installed incorrectly. 	<ol style="list-style-type: none"> 1. Replace belt, (page 15). 2. Check BELT CHANGING AND AGITATOR CLEANING, (page 14-15).
Performance indicator, some models, is red.	<ol style="list-style-type: none"> 1. Full or clogged dust bag. 2. Dirty filters. 3. Clogged airflow passage-dirt tube, nozzle, hose. 4. Certain attachment tools. 	<ol style="list-style-type: none"> 1. Change dust bag, (page 12). 2. Clear filters, (page 13). 3. Clear clog from airflow passage, (page 17). 4. Should return to normal when tool is removed.
Air flow restricted with attachment use. Sound changes.	<ol style="list-style-type: none"> 1. Attachment use restricts air flow. 2. New carpet fuzz clogged air path. 	<ol style="list-style-type: none"> 1. Check ATTACHMENTS, (page 7-8). 2. Check CLOG REMOVAL and clean hose, (page 17).
Excessive noise as vacuum is shut off.	<ol style="list-style-type: none"> 1. Belt rubbing on carpet/bare floor selector shaft. 	<ol style="list-style-type: none"> 1. Push selector all the way forward.

MASTER PROTECTION AGREEMENTS

Master Protection Agreements

Congratulations on making a smart purchase. Your new Kenmore® product is designed and manufactured for years of dependable operation.

But like all products, it may require preventive maintenance or repair from time to time.

That's when having a Master Protection Agreement can save you money and aggravation.

Purchase a Master Protection Agreement now and protect yourself from unexpected hassle and expense.

The Master Protection Agreement also helps extend the life of your new product. Here's what's included in the Agreement:

- Expert service** by our 12,000 professional repair specialists
- Unlimited service and no charge** for parts and labor on all covered repairs
- "No-lemon" guarantee** – replacement of your covered product if four or more product failures occur within twelve months
- Product replacement** if your covered product can't be fixed
- Annual Preventive Maintenance Check** at your request – no extra charge
- Fast help by phone** – phone support from a Sears technician on products requiring in-home repair, plus convenient repair scheduling
- Power surge protection** against electrical damage due to power fluctuations
- Rental reimbursement** if repair of your covered product takes longer than promised

Once you purchase the Agreement, a simple phone call is all that it takes for you to schedule service. You can call anytime day or night, or schedule a service appointment online.

Sears has over 12,000 professional repair specialists, who have access to over 4.5 million quality parts and accessories. That's the kind of professionalism you can count on to help prolong the life of your new purchase for years to come. Purchase your Master Protection Agreement today!

Some limitations and exclusions apply.
For prices and additional information call 1-800-827-6655.

Sears Installation Service

For Sears professional installation of home appliances, garage door openers, water heaters, and other major home items, in the U.S.A. call

1-800-4-MY-HOME®

ENGLISH

Get it fixed, at your home or ours!

Your Home

For repair – in your home – of all major brand appliances, lawn and garden equipment, or heating and cooling systems, **no matter who made it, no matter who sold it!**

For the replacement parts, accessories and owner's manuals that you need to do-it-yourself.

For Sears professional installation of home appliances and items like garage door openers and water heaters.

1-800-4-MY-HOME®

(1-800-469-4663)

www.sears.com

24 / 7 / 365

(U.S.A. and Canada)

www.sears.ca

Our Home

For repair of carry-in products like vacuums, lawn equipment, and electronics, call or go on-line for the nearest **Sears Parts and Repair Center.**

1-800-488-1222

24 / 7 / 365

(U.S.A. only)

www.sears.com

To purchase a protection agreement (U.S.A.) or maintenance agreement (Canada) on a product serviced by Sears:

1-800-827-6655 (U.S.A.)

1-800-361-6665 (Canada)

Para pedir servicio de reparación a domicilio, y para ordenar piezas:

1-888-SU-HOGARSM

(1-888-784-6427)

Au Canada pour service en français:

1-800-LE-FOYER^{MC}

(1-800-533-6937)

www.sears.ca

SEARS

© Sears, Roebuck and Co.

© Registered Trademark / TM Trademark / SM Service Mark of Sears, Roebuck and Co.

© Marca Registrada / TM Marca de Fábrica / SM Marca de Servicio de Sears, Roebuck and Co.

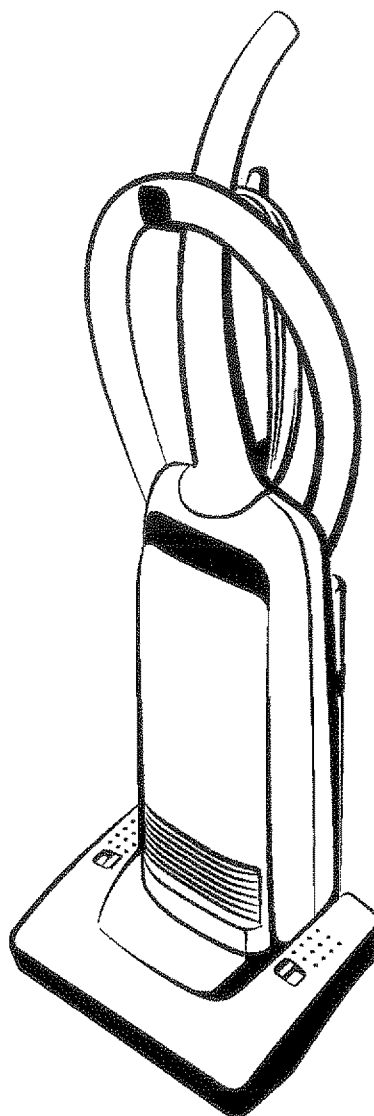
^{MC} Marque de commerce / ^{MD} Marque déposée de Sears, Roebuck and Co.

Owner's Manual
Manual del Propietario



Vacuum Cleaner
Aspiradora

Model, Modelo
721.33078
721.33079



ENGLISH

ESPAÑOL

CAUTION: Read and follow all safety and operating instructions before first use of this product.

CUIDADO: Lea y sigue todas las instrucciones de operación y seguridad antes del uso de este producto.

Directions for Use

It is a violation of Federal law to use this product in a manner inconsistent with its labeling.

Direcciones de uso

Es una violación a la ley Federal utilizar este producto de una manera contraria con su etiquetado.

Sears, Roebuck and Co., Hoffman Estates, IL 60179 U.S.A
www.sears.com

PART No. : 3828FI3841A

Printed in China

TABLE OF CONTENTS

Before Using Your New Vacuum.....	2	Vacuum Cleaner Care.....	11
Kenmore Vacuum Cleaner Warranty	2	Vacuum Storage	11
Important Safety Instructions	3	Cleaning Exterior and Attachments	11
Parts and Features	4	Dust Bag Changing.....	12
Assembly Instructions	5	Motor Safety Filter Cleaning	13
Operating Instructions	6	Exhaust Filter Cleaning and Replacement	13
Cord Release.....	6	Belt Changing and Agitator Cleaning.....	14
Automatic Height Adjustment	7	Agitator Servicing.....	16
Handle Release and Positions.....	7	Agitator Assembly.....	16
On/Off Switch.....	7	Clog Removal	17
Attachments.....	7	Troubleshooting	18
Attachments Use Chart.....	9	Master Protection Agreements.....	19
Vacuuming Tips.....	9	Service	Back Cover
Performance Features	10		

BEFORE USING YOUR NEW VACUUM

Please read this guide. It will help you assemble and operate your new Kenmore vacuum in the safest and most effective way.

For more information about the care and operation, call your nearest Sears store.

You will need the complete model and serial numbers when requesting information.

Your vacuum's model and serial numbers are located on the Model and Serial Number Plate.

Use the space below to record the model number and serial number of your new Kenmore vacuum.

Model No. _____

Serial No. _____

Date of Purchase _____

Keep this book and your sales check (receipt) in a safe place for future reference.

KENMORE VACUUM CLEANER WARRANTY

LIMITED ONE YEAR WARRANTY ON KENMORE VACUUM CLEANER

This warranty is for one year from the date of purchase, and includes only private household vacuum cleaner use. During the warranty year, when this vacuum cleaner is operated and maintained according to the owner's manual instructions, Sears will repair any defects in material or workmanship free of charge.

This warranty excludes vacuum bags, belts, light bulbs, and filters, which are expendable parts and become worn during normal use.

For warranty service, return this vacuum cleaner to the nearest Sears Parts and Repair Center in the United States.

This warranty applies only while this product is in use in the United States.

This warranty gives you specific legal rights, and you may also have other rights which vary from state to state.

Sears, Roebuck and Co., D/817WA, Hoffman Estates, IL 60179

IMPORTANT SAFETY INSTRUCTIONS



WARNING - To reduce the risk of fire, electric shock, or injury:

Your safety is important to us. To reduce the risk of fire, electric shock, injury to persons or damage when using your vacuum cleaner, follow basic safety precautions including the following:

Read this manual before assembling or using your vacuum cleaner.

Use your cleaner only as described in this manual. Use only with supplied attachments.

To reduce the risk of electric shock - Do not use outdoors or on wet surfaces.

Disconnect electrical supply before servicing or cleaning out brush area. Failure to do so could result in electric shock or brush suddenly starting.

Always turn cleaner off before connecting or disconnecting the hose.

Always turn cleaner off before unplugging.

Do not unplug by pulling on cord. To unplug, grasp the plug, not the cord.

Hold plug when rewinding onto cord reel.

Do not allow plug to whip when rewinding.

Do not use with damaged cord or plug. If cleaner is not working as it should, has been dropped, damaged, left outdoors, or dropped into water, return it to a Sears Service Center.

Do not pull or carry by cord, use cord as a handle, close door on cord, or pull cord around sharp edges or corners. Do not run cleaner over cord. Keep cord away from heated surfaces.

Do not leave cleaner when plugged in. Unplug from outlet when not in use and before servicing.

Do not allow to be used as a toy. Close attention is necessary when used by or near children.

Do not handle plug or cleaner with wet hands.

Do not operate the cleaner with a punctured hose. Replace if cut or worn. Avoid vacuuming sharp objects.

Do not use with any opening blocked; keep free of dust, lint, hair and anything that may reduce air flow.

Keep hair, loose clothing, fingers, and all parts of body away from openings and moving parts. Do not use cleaner without dust bag and/or filters in place.

Always change the dust bag after vacuuming carpet cleaners or freshener, powders and fine dust. These products clog the bag, reduce airflow and can cause the bag to burst. Failure to change bag could cause permanent damage to the cleaner.

Do not use the cleaner to pick up sharp hard objects, small toys, pins, paper, etc. They may damage the cleaner or dust bag.

Do not pick up anything that is burning or smoking, such as cigarettes, matches, or hot ashes.

Do not use vacuum cleaner to pick up flammable or combustible liquids (gasoline, cleaning fluids, perfumes, etc.), or use in areas where they may be present. The fumes from these substances can create a fire hazard or explosion.

Use extra care when cleaning on stairs. Do not put on chairs, tables, etc. Keep on floor.

You are responsible for making sure that your vacuum cleaner is not used by anyone unable to operate it properly.

ENGLISH

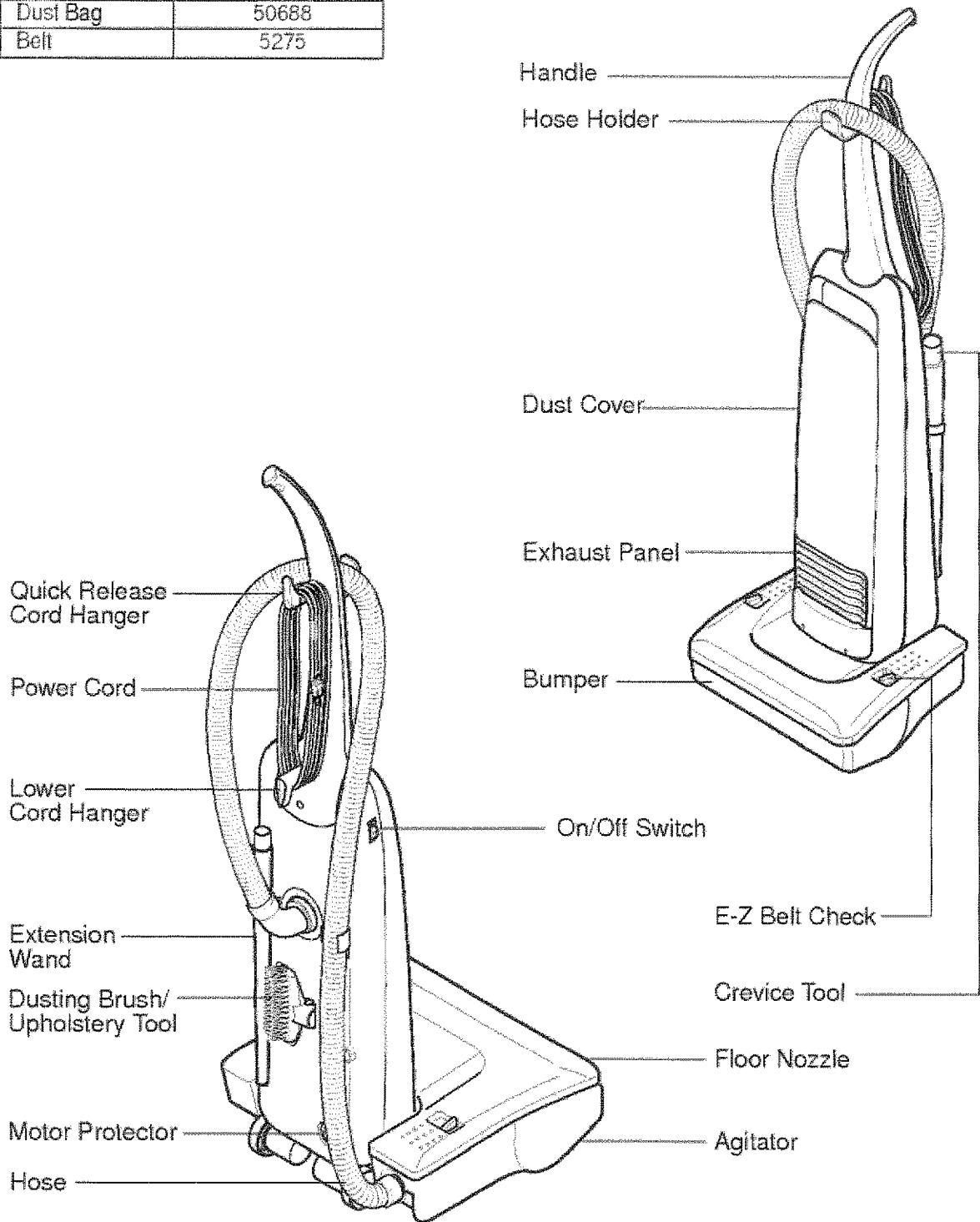
SAVE THESE INSTRUCTIONS

Proper assembly and safe use of your vacuum cleaner are your responsibilities. Your cleaner is intended only for household use. Read this Owner's Manual carefully for important use and safety information. This guide contains safety statements under warning and caution symbols. Please pay special attention to these boxes and follow any instructions given. **WARNING** statements alert you to such hazards as fire, electric shock, burns and serious personal injury. **CAUTION** statements alert you to such hazards as moderate personal injury and/or property damage.

PARTS AND FEATURES

It is important to know your vacuum cleaner's parts and features to assure its proper and safe use. Review these before using your cleaner.

Item	Part No.
Dust Bag	50688
Belt	5275



ASSEMBLY INSTRUCTIONS

Before assembling your vacuum, check the **PACKING LIST** on the cover of the separate Parts List. Use this list to verify that you have received all the components of your new Kenmore vacuum.



WARNING

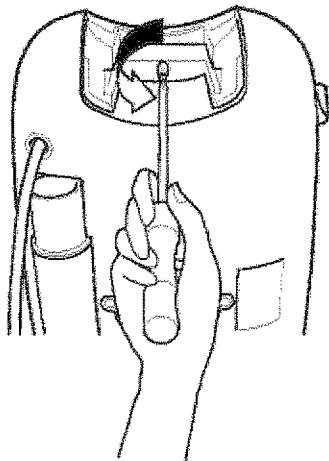
Electric Shock Hazard

Do not plug into the electrical supply until the assembly is complete.

Failure to do so could result in electric shock or injury.

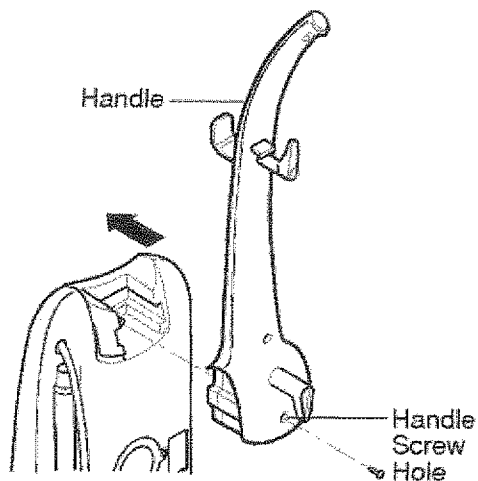
HANDLE ASSEMBLY

Remove the screw located just below the top edge of the back of the vacuum.

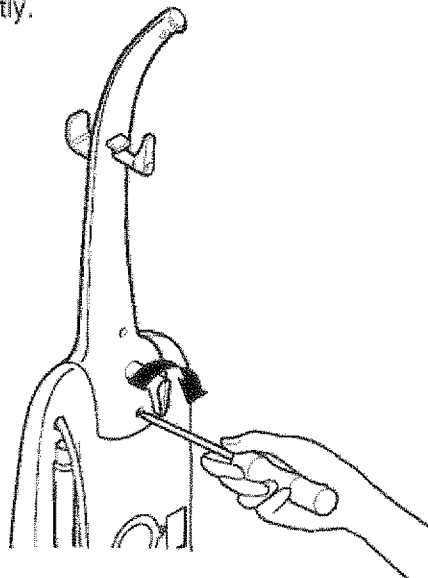


Position the handle as shown below and slide the handle into the opening at the top of the vacuum.

Insert the screw so it passes through the handle into the vacuum.



Tighten the screw securely with a screwdriver. It may be necessary to adjust the handle slightly.



CAUTION

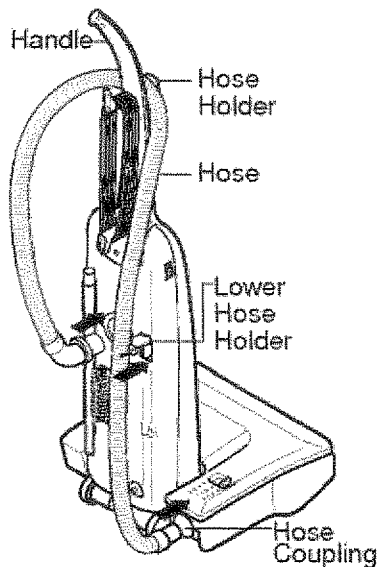
Do not overtighten.

Overtightening could strip the screw holes. Do not operate the cleaner without the screw in place.

ENGLISH

HOSE ASSEMBLY

After the handle has been assembled to the body and power cord has been wrapped around the cord hangers, insert the upper end of the hose into the opening on the body and place the hose over the hose holder.

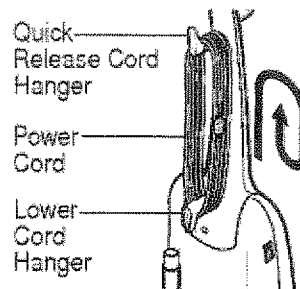
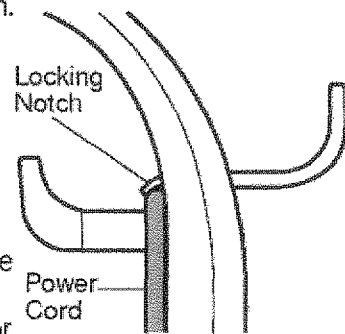


And then attach the lower hose holder provided in the accessory bag to the body and clip hose into the holder and slide hose onto the hose coupling on floor nozzle and twist hose. Make sure hose is firmly connected before using the vacuum.

CORD ASSEMBLY

Make sure the quick release cord hanger is in the upright position.

Lock the cord into place by forcing it into the locking notch on the body of the upper cord hanger as shown. This helps keep the power cord out of the path of the floor nozzle.



Wrap the power cord around the quick release cord hanger and lower cord hanger, and clip the plug onto the power cord.

OPERATING INSTRUCTIONS

CORD RELEASE

1. Turn the quick release cord hanger to either side and down to release the power cord.
2. Unclip the power cord plug from the power cord and pull the cord off the quick release cord hanger. Check to be sure the power cord is still locked into the locking notch. See CORD ASSEMBLY.
3. Check to see if the cleaner has bag installed. See DUST BAG CHANGING.
4. Plug the polarized power cord into a 120 Volt electrical outlet.

NOTE: To reduce the risk of electric shock, this vacuum cleaner has a polarized plug, one blade is wider than the other. This plug will fit in a polarized outlet only one way. If the plug does not fit fully in the outlet, reverse the plug. If it still does not fit, contact a qualified electrician to install the proper outlet. Do not change the plug in any way.

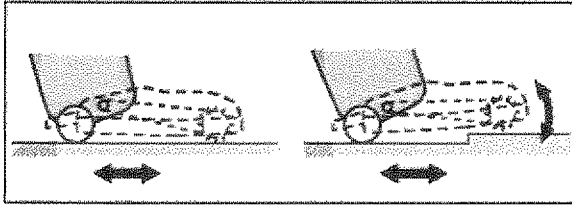


WARNING

Personal Injury and Product Damage Hazard!

- DO NOT plug in if switch is in ON position. Personal injury or product damage could result.
- DO NOT use outlets above counters. Damage to items in surrounding area could occur.

AUTOMATIC HEIGHT ADJUSTMENT

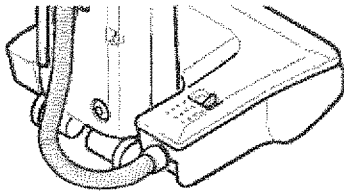


This vacuum cleaner is designed with an Automatic Height Adjustment which adjusts the floor nozzle to the proper height of any carpet pile.

The height of floor nozzle is instantly and automatically adjusted when you move from one carpeted area to another.

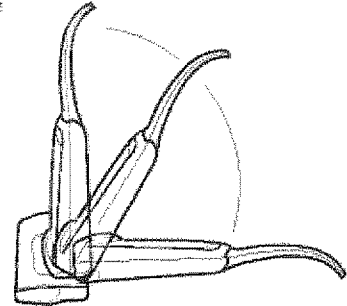
HANDLE RELEASE AND POSITIONS

Release the handle by stepping on the embossed part on either side of the floor nozzle and pulling back and down on the handle with your hand.



The vacuum cleaner has three positions:

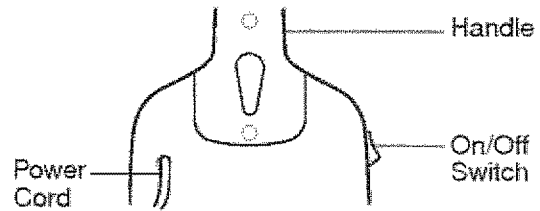
- Upright for storage and when using cleaning tools.
- Angled for carpet and floor cleaning.
- Low for reaching under furniture.



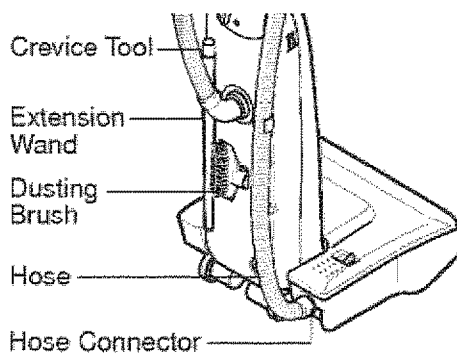
ENGLISH

ON/OFF SWITCH

The On/Off switch is located on the vacuum cleaner body just below and to the side of the handle. Push the switch to ON to start the cleaner and to OFF to stop it.



ATTACHMENTS



NOTE: The motor protector may open causing poor pick up, when using attachments or when cleaning new carpet, due to reduced airflow caused by the attachments themselves, or by new carpet fuzz filling the bag quickly. See CLOG REMOVAL.

TO USE ATTACHMENTS

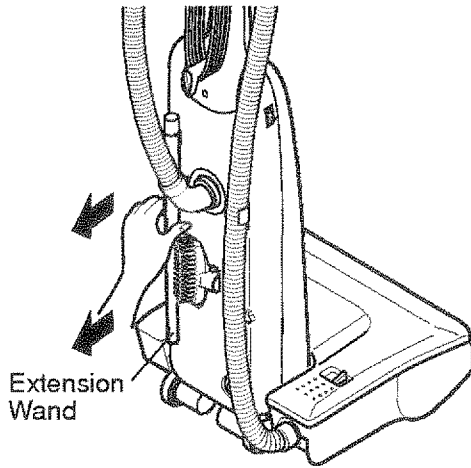
Remove the lower end of the hose from the cleaner by grasping the hose connector, twisting and pulling straight out.



WARNING

Electric shock and Personal Injury Hazard

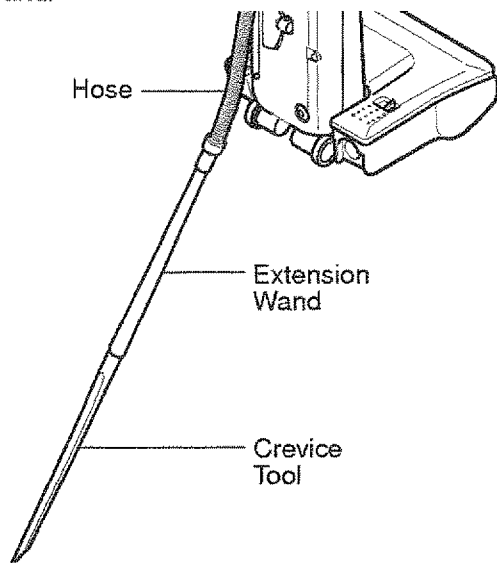
Disconnect electrical supply before servicing or cleaning the unit. Failure to do so could result in electric shock or personal injury from cleaner suddenly starting.



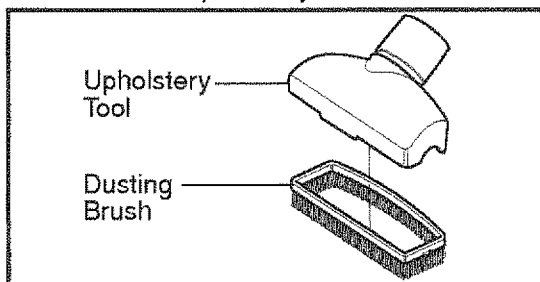
Remove the extension wand from its storage position.

Remove the crevice tool from its storage position in the wand. Attach the extension wand onto the open end of the hose.

Add the crevice tool to the end of the wand by inserting and twisting slightly. The crevice tool doubles as another wand, because the dusting brush/upholstery tool will fit onto its tip, allowing for maximum cleaning reach. The brush/tool may also be attached directly to the extension wand.



The dusting brush has two options. When the front brush is removed the remaining part can be used as an upholstery tool.



CAUTION

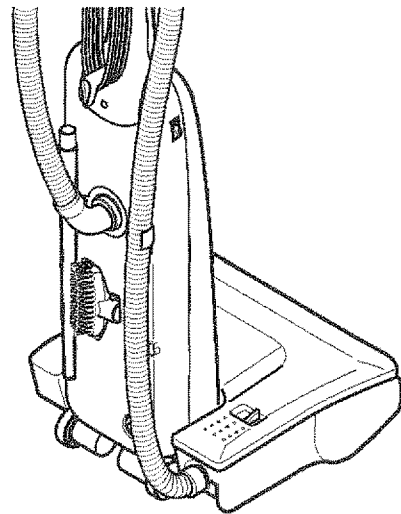
When using attachments, be careful not to overextend the hose when reaching. Trying to reach beyond the hose stretch capability could cause the cleaner to tip over.

TO STORE ATTACHMENTS

Remove dusting brush/upholstery tool from wand. Snap into its storage location.

Remove crevice tool from the wand by twisting.

Remove the extension wand from the hose. Twist the wand and pull from the hose end.



Place the crevice tool down into the extension wand. Snap wand into its storage location.

Be sure the unit is turned off. Reinsert the hose fully into hose coupling from which it was removed. Press firmly to assure connection.






WARNING

Personal Injury Hazard

DO NOT place hands or feet underneath the unit when inserting the hose. The agitator revolves rapidly when the vacuum is turned on.

ATTACHMENT USE CHART

ATTACHMENT	CLEANING AREA				
	Furniture*	Between Cushions*	Drapes*	Stairs	Walls
DUSTING BRUSH 	X		X		X
CREVICE TOOL 	X	X		X	
UPHOLSTERY TOOL 	X		X	X	

* Always clean attachments before using on fabrics.

ENGLISH

VACUUMING TIPS

Carpet edges

Guide either side or the front of the nozzle along a baseboard. The full length brushes help remove dirt at carpet edges.

Stairs

Put handle in full upright position. Use the crevice tool or dusting brush/upholstery tool.

For best cleaning results, keep the airflow passage clear.

Occasionally, check each of the areas indicated for clogs.

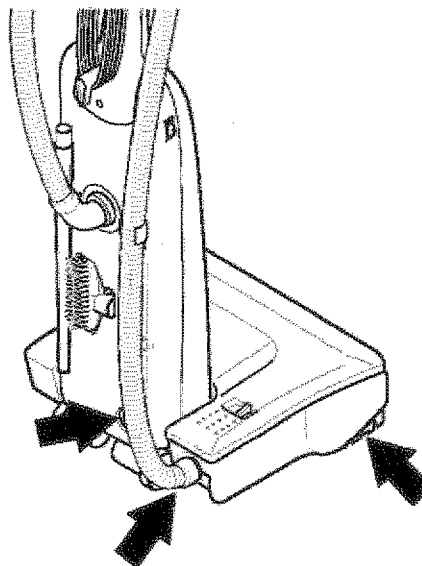
Always unplug the cleaner from the outlet before checking for clogs.



WARNING

Personal Injury Hazard

Use care if vacuum cleaner is placed on stairs. If it falls, personal injury or property damage could result.



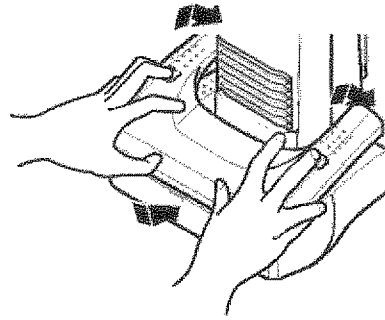
PERFORMANCE FEATURES



WARNING

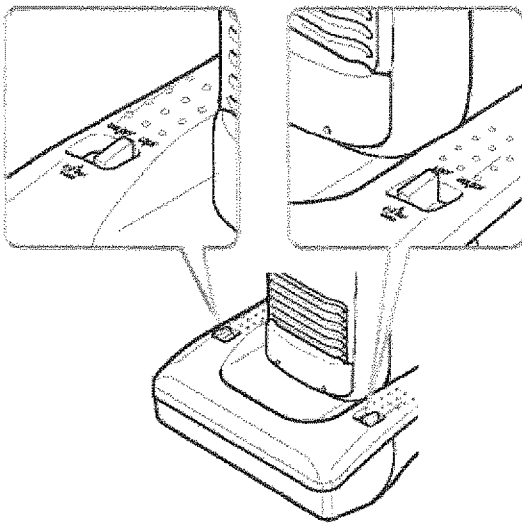
Electric Shock And Personal Injury Hazard

Disconnect electrical supply before servicing or cleaning the unit. Failure to do so could result in electric shock or personal injury from cleaner suddenly starting.

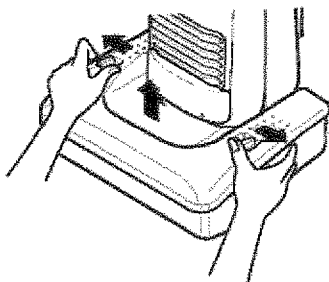


To replace nozzle cover, insert tabs into slots, lower cover onto nozzle, and push latches in to secure.

E-Z BELT CHECK



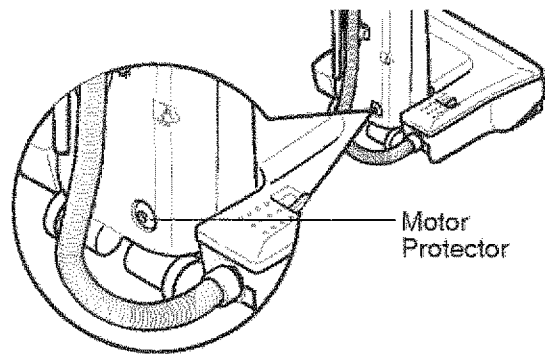
The E-Z Belt Check consists of two latches on the top of the floor nozzle. These latches allow for easy removal of the nozzle cover to change the belt or clean the agitator.



Place thumbs on latches, push outward, and raise cover.

MOTOR PROTECTION SYSTEM

This vacuum has a motor protector by-pass valve which automatically opens to provide cooling air to the motor when a clog prevents the normal flow of air to the motor. If the by-pass valve opens to prevent motor overheating and possible damage to the vacuum, you will notice a change of sound as air rushes through the valve opening.



To correct problem:
Check for and remove clogs.
See CLOG REMOVAL.

VACUUM CLEANER CARE

Always follow all safety precautions when cleaning and servicing the vacuum cleaner.



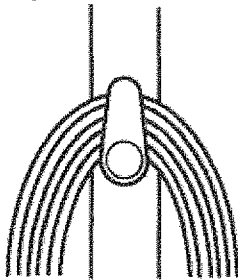
WARNING

Electric Shock And Personal Injury Hazard

Disconnect electrical supply before servicing or cleaning the unit. Failure to do so could result in electric shock or personal injury from cleaner suddenly starting.

VACUUM STORAGE

Gather the cord and wrap it loosely around the quick release cord hanger and lower cord hanger.



Store the cleaner in a dry, indoor area, on the floor with the handle locked in the upright position.



WARNING

Electric Shock And Personal Injury Hazard

Wrapping the cord too tightly puts stress on the cord and can cause cord damage. A damaged cord is an electric shock hazard and could cause personal injury or damage.

CLEANING EXTERIOR AND ATTACHMENTS

Unplug cord from wall outlet. **DO NOT** drip water on cleaner.

Clean exterior using a clean, soft cloth that has been dipped in a solution of mild liquid detergent and water, then wrung dry. Wipe dry after cleaning.

Wash attachments in warm soapy water, rinse and air dry. **Do not clean in dishwasher.**



CAUTION

Do not use attachments if they are wet. Attachments used in dirty areas, such as under a refrigerator, should not be used on other surfaces until they are washed. They could leave marks.

DUST BAG CHANGING

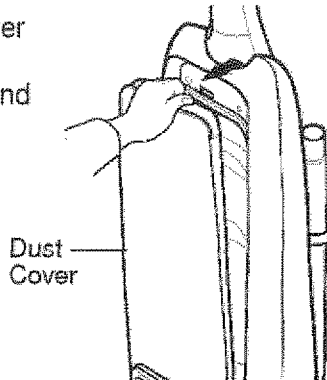
TO REMOVE BAG



WARNING

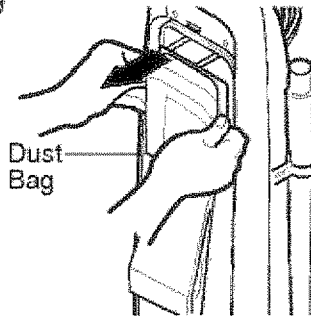
Always unplug power cord from electrical outlet before performing any service on vacuum.

Pull the dust cover grip forward. Remove cover and lay aside.



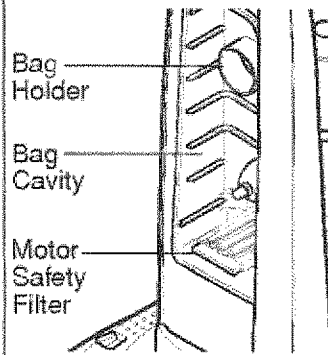
Grasp the dust bag collar and pull gently, carefully removing the dust bag.

Throw away the used dust bag. Do not reuse.



CAUTION

NEVER REUSE A DUST BAG. Very fine materials, such as carpet freshener, face powder, fine dust, plaster, soot, etc. can clog the bag and cause it to burst before it is full. Change bag more often when vacuuming these materials.

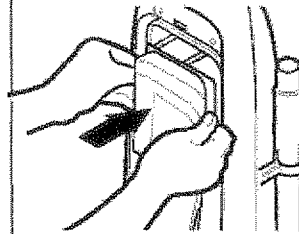


Check the bag holder and the motor safety filter.

If either is blocked, check them. See MOTOR SAFETY FILTER CLEANING.

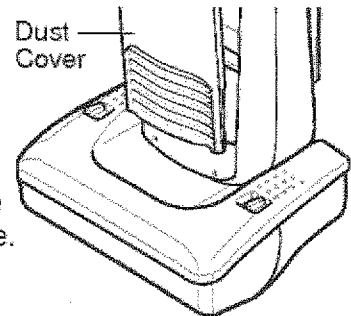
TO REPLACE BAG

Unfold the new dust bag.

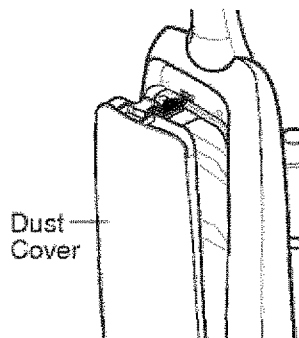


Insert the dust bag onto the bag holder completely by holding the bag collar as shown and snapping it into position.

Be sure bottom of dust bag is completely within dust bag cavity prior to replacing the dust cover.



Position the dust cover so its positioning tab fits into the slot on the vacuum body base.



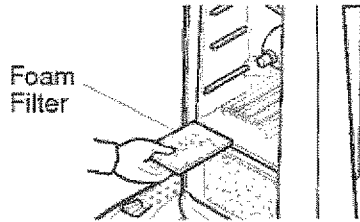
Close the dust cover.

You will hear a distinct snap when cover is securely closed.

MOTOR SAFETY FILTER CLEANING

Check motor safety filter frequently.

If the motor safety filter, located in the bottom of the dust bag cavity is dirty, remove it by pulling forward out from under the ribs.



Wash the foam filter in warm soapy water. Rinse and dry thoroughly by squeezing the filter in your hand and letting it air dry.

DO NOT wash filter in the dishwasher.

DO NOT install damp filter.

Replace the foam filter by sliding it back into place under the ribs in the dust bag cavity.



WARNING

Electric Shock Hazard

Do not operate the cleaner without the motor safety filter. Be sure the filter is dry and properly installed to prevent motor failure and/or electric shock.

Always unplug power cord from electrical outlet before performing any service on vacuum.

ENGLISH

EXHAUST FILTER CLEANING AND REPLACEMENT



WARNING

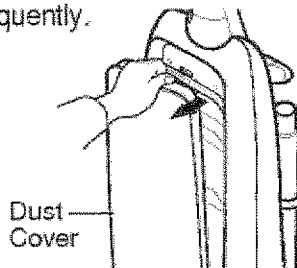
Do not operate without exhaust filter.

Clean the exhaust filter when it becomes dirty, or replace it with a new one. Wash the dirty filter beneath cold, running water to clean it. Allow to air dry before returning it to the vacuum.

Do not attempt to clean the filter with a brush. A brush will permanently damage the filter, causing dust to blow back into the room when you are vacuuming.

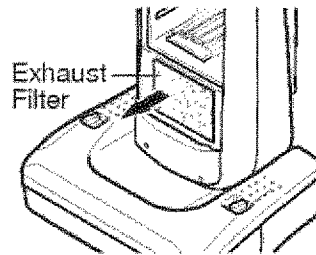
If you use vacuum frequently, you should replace the filter every 6 months.

Check filter frequently.

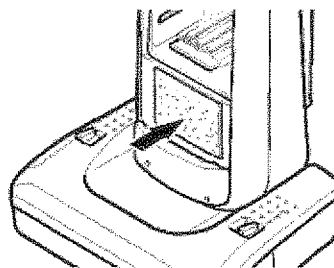


Pull the dust cover forward. Remove and lay aside.

Remove the exhaust filter by pulling it out.



Replace the filter so that the white side faces out.



Carefully replace the dust cover by placing tabs in slots and pushing in until cover snaps into place.

BELT CHANGING AND AGITATOR CLEANING



WARNING

Electric Shock or Personal Injury Hazard

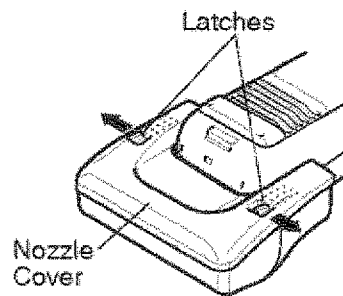
Disconnect electrical supply before servicing or cleaning the unit. Failure to do so could result in electric shock or personal injury from cleaner suddenly starting.

Frequently check and remove hair, string and lint build-up in the brush area. If build-up becomes excessive, follow the steps below.

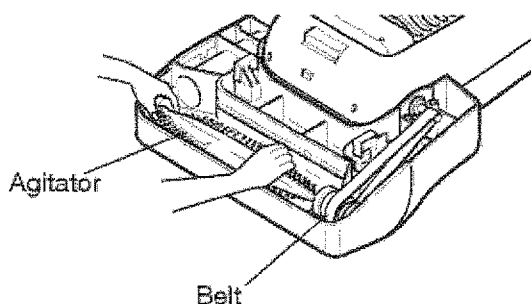
TO REMOVE BELT

Disconnect power cord from electrical outlet.

Slide E-Z Belt
Check latches outward and remove nozzle cover.



Position hands on the agitator. If the belt is still attached to the agitator, sever with scissors and remove it. Carefully lift the right end of the agitator and then the left end.



Note: It may be necessary to pull on the edge of the bumper to allow the ends of the agitator to be removed easily.



WARNING

Personal Injury Hazard

Be careful when removing the agitator as the belt tension is high. Failure to do so could result in personal injury from the agitator releasing quickly and snapping away.

TO CLEAN AGITATOR

Note: In order to keep cleaning efficiency high and to prevent damage to your vacuum, the agitator must be cleaned every time the belt is changed.

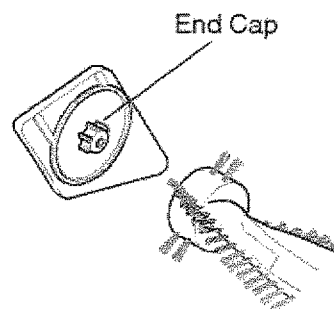
The agitator must be cleaned according to the following schedule:

Vacuum Use	Clean Agitator
HEAVY (used daily)	every week
MODERATE (used 2-3 times/week)	every month
LIGHT (used 1 time/week)	every 2 months



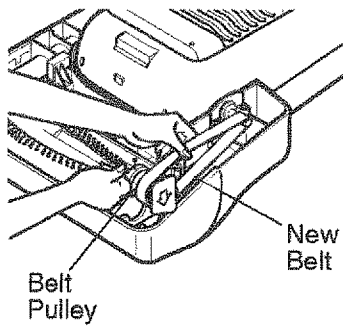
CAUTION

Do not disassemble the end cap, or you will damage the agitator.



TO REPLACE BELT

Loop the new belt on the motor shaft.

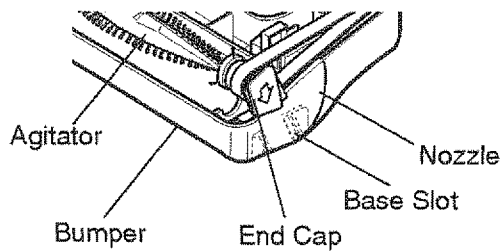


Note: See PARTS AND FEATURES for belt number.

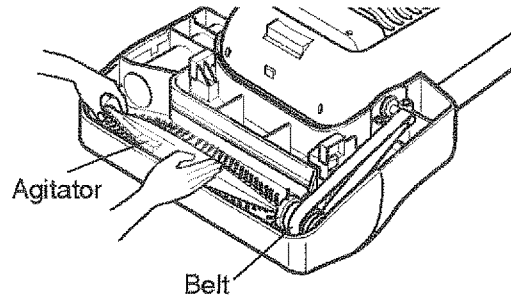
Loop the other end of the belt on the belt pulley on the agitator.

Insert the left end cap, arrow down, into its slot in the nozzle base. Pull the agitator forward and insert the right end cap, arrow down, into its slot in the nozzle base.

Note: Care must be taken due to the belt tension during reassembly.

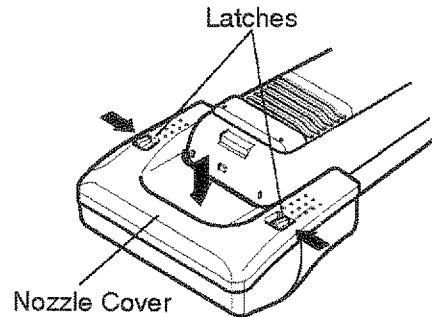


Press firmly, checking to see that each end is completely inserted.



Check to see that the belt is centered on the belt pulley. Turn the agitator with your fingers to see that it turns freely.

Replace the nozzle cover and secure the latches.



ENGLISH

AGITATOR SERVICING



WARNING

Electric Shock or Personal Injury Hazard

Disconnect electrical supply before servicing or cleaning the unit. Failure to do so could result in electric shock or personal injury from cleaner suddenly starting.

TO REPLACE AGITATOR

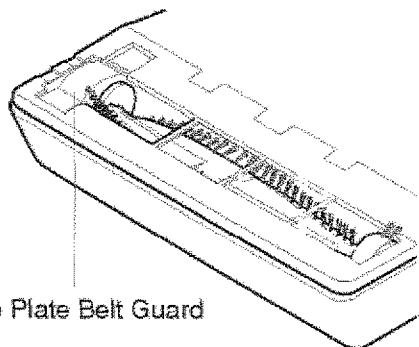
Remove the nozzle cover and agitator. See BELT CHANGING AND AGITATOR CLEANING.

Replace agitator with a new one.

Reassemble the belt, agitator and nozzle cover. See BELT CHANGING AND AGITATOR CLEANING.

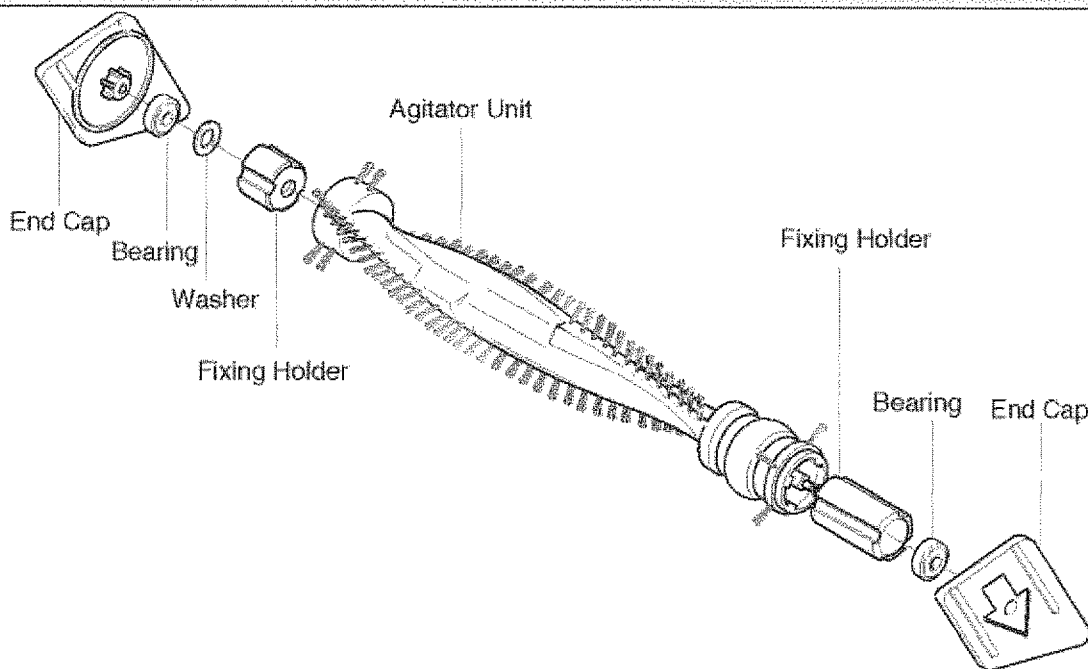
TO CHECK AGITATOR

Turn the vacuum over to check for worn brushes. When brushes are worn to the level of the base plate belt guard, replace the agitator.



Base Plate Belt Guard

AGITATOR ASSEMBLY



CLOG REMOVAL

Always follow all safety precautions when cleaning and servicing the vacuum cleaner.



WARNING

Electric Shock Or Personal Injury Hazard

Disconnect electrical supply before servicing or cleaning the unit. Failure to do so could result in electric shock or personal injury from cleaner suddenly starting.

If the cleaner does not seem to have adequate suction, first check to see if the bag is full or if a filter is clogged. See instructions in DUST BAG CHANGING and MOTOR SAFETY FILTER CLEANING.

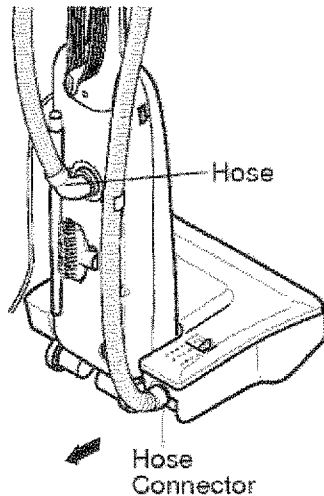
If the bag and filter areas are free of clogs, check the hose area. Remove the lower end of the hose from the cleaner by grasping the hose connector, twisting, and pulling straight out.

Plug in the vacuum and turn it on.

Stretch the hose to maximum length and then allow the hose to return to its storage length.

Turn the unit off and unplug the unit.

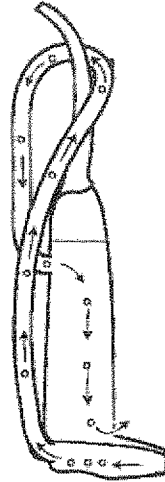
Remove any visible clogs from the hose.



Re-insert the hose into the opening on the lower body from which it was removed. Press firmly to assure connection.

If the bag and filter areas and the hose areas are free of clogs, check the floor nozzle area. To check this area, see the sections on BELT CHANGING AND AGITATOR CLEANING.

Return the cleaner to the upright position before plugging into an electrical outlet.



For best cleaning results, keep the airflow passage open. You should check your vacuum occasionally for clogs. The arrows in this figure indicate the airflow path where clogs occur. Unplug vacuum before checking for clogs.



WARNING

Personal Injury Hazard

DO NOT place hands or feet underneath the unit when inserting the hose. The agitator revolves rapidly when the vacuum is turned on and is in the carpet setting.

ENGLISH

TROUBLESHOOTING

Review this chart to find do-it-yourself solutions for minor performance problems. Any other service needed, other than those described in this owner's manual, should be performed by a Sears or other qualified service representative.



WARNING

Electric Shock Hazard

**Disconnect electrical supply before servicing or cleaning the unit.
Failure to do so could result in electric shock or personal injury.**

PROBLEM	POSSIBLE CAUSE	POSSIBLE SOLUTION
Cleaner won't start.	<ol style="list-style-type: none"> 1. Unplugged at wall outlet. 2. Tripped circuit breaker/blown fuse at household service panel. 3. ON/OFF switch not turned ON. 	<ol style="list-style-type: none"> 1. Plug in firmly, press the ON/OFF switch to ON. 2. Reset circuit breaker or replace fuse. 3. Push ON/OFF switch to ON.
Poor job of dirt pick-up.	<ol style="list-style-type: none"> 1. Full or clogged dust bag. 2. Wrong pile height setting. 3. Worn agitator. 4. Clogged nozzle or dirt tube. 5. Clogged hose. 6. Hole in hose. 7. Broken/misplaced belt. 8. Hose not inserted fully. 9. Motor protection system activated. 10. Dirty filters. 	<ol style="list-style-type: none"> 1. Change dust bag, (page 12). 2. Adjust setting, (page 7). 3. Replace agitator, (page 16). 4. Clean nozzle area, (page 17). 5. Check for clogs, (page 17). 6. Replace hose. 7. Replace/fix belt, (page 14-15). 8. Insert hose fully, (page 7-8). 9. Check for clogs, (page 17). 10. Clean filters, (page 13).
Cleaner picks up movable rugs, or pushes too hard.	<ol style="list-style-type: none"> 1. Wrong pile height setting. 	<ol style="list-style-type: none"> 1. Adjust setting, (page 7).
Agitator does not turn.	<ol style="list-style-type: none"> 1. Broken belt. 2. Belt installed incorrectly. 	<ol style="list-style-type: none"> 1. Replace belt, (page 15). 2. Check BELT CHANGING AND AGITATOR CLEANING, (page 14-15).
Performance indicator, some models, is red.	<ol style="list-style-type: none"> 1. Full or clogged dust bag. 2. Dirty filters. 3. Clogged airflow passage-dirt tube, nozzle, hose. 4. Certain attachment tools. 	<ol style="list-style-type: none"> 1. Change dust bag, (page 12). 2. Clear filters, (page 13). 3. Clear clog from airflow passage, (page 17). 4. Should return to normal when tool is removed.
Air flow restricted with attachment use. Sound changes.	<ol style="list-style-type: none"> 1. Attachment use restricts air flow. 2. New carpet fuzz clogged air path. 	<ol style="list-style-type: none"> 1. Check ATTACHMENTS, (page 7-8). 2. Check CLOG REMOVAL and clean hose, (page 17).
Excessive noise as vacuum is shut off.	<ol style="list-style-type: none"> 1. Belt rubbing on carpet/bare floor selector shaft. 	<ol style="list-style-type: none"> 1. Push selector all the way forward.

MASTER PROTECTION AGREEMENTS

Master Protection Agreements

Congratulations on making a smart purchase. Your new Kenmore® product is designed and manufactured for years of dependable operation.

But like all products, it may require preventive maintenance or repair from time to time.

That's when having a Master Protection Agreement can save you money and aggravation.

Purchase a Master Protection Agreement now and protect yourself from unexpected hassle and expense.

The Master Protection Agreement also helps extend the life of your new product. Here's what's included in the Agreement:

- Expert service** by our 12,000 professional repair specialists
- Unlimited service and no charge** for parts and labor on all covered repairs
- "No-lemon" guarantee** – replacement of your covered product if four or more product failures occur within twelve months
- Product replacement** if your covered product can't be fixed
- Annual Preventive Maintenance Check** at your request – no extra charge
- Fast help by phone** – phone support from a Sears technician on products requiring in-home repair, plus convenient repair scheduling
- Power surge protection** against electrical damage due to power fluctuations
- Rental reimbursement** if repair of your covered product takes longer than promised

Once you purchase the Agreement, a simple phone call is all that it takes for you to schedule service. You can call anytime day or night, or schedule a service appointment online.

Sears has over 12,000 professional repair specialists, who have access to over 4.5 million quality parts and accessories. That's the kind of professionalism you can count on to help prolong the life of your new purchase for years to come. Purchase your Master Protection Agreement today!

Some limitations and exclusions apply.
For prices and additional information call 1-800-827-6655.

Sears Installation Service

For Sears professional installation of home appliances, garage door openers, water heaters, and other major home items, in the U.S.A. call

1-800-4-MY-HOME®

ENGLISH

Get it fixed, at your home or ours!

Your Home

For repair – in your home – of all major brand appliances, lawn and garden equipment, or heating and cooling systems, **no matter who made it, no matter who sold it!**

For the replacement parts, accessories and owner's manuals that you need to do-it-yourself.

For Sears professional installation of home appliances and items like garage door openers and water heaters.

1-800-4-MY-HOME®

(1-800-469-4663)

www.sears.com

24 / 7 / 365

(U.S.A. and Canada)

www.sears.ca

Our Home

For repair of carry-in products like vacuums, lawn equipment, and electronics, call or go on-line for the nearest **Sears Parts and Repair Center.**

1-800-488-1222

24 / 7 / 365

(U.S.A. only)

www.sears.com

To purchase a protection agreement (U.S.A.) or maintenance agreement (Canada) on a product serviced by Sears:

1-800-827-6655 (U.S.A.)

1-800-361-6665 (Canada)

Para pedir servicio de reparación a domicilio, y para ordenar piezas:

1-888-SU-HOGARSM

(1-888-784-6427)

Au Canada pour service en français:

1-800-LE-FOYER^{MC}

(1-800-533-6937)

www.sears.ca

SEARS

© Sears, Roebuck and Co.

© Registered Trademark / TM Trademark / SM Service Mark of Sears, Roebuck and Co.

© Marca Registrada / TM Marca de Fábrica / SM Marca de Servicio de Sears, Roebuck and Co.

^{MC} Marque de commerce / ^{MD} Marque déposée de Sears, Roebuck and Co.