



OUTDOOR BEER DISPENSER

Parts List



MODEL
RF24T

PRODUCT CODE
70881

PRODUCT

Brand DCS
Voltage 120V 60Hz
Model RF24T
Product Code 70881

Fisher & Paykel Appliances

5900 Skylab Road, Huntington Beach, CA 92647

Customer Care: 1-888-936-7872

Fax: (714) 372-7003

email: customer.care@fisherpaykel.com

www.dcsappliances.com

TABLE OF CONTENTS

DOOR COMPONENTS.....	6
CABINET COMPONENTS.....	8
MECHANICAL COMPONENTS.....	10
BEER DISPENSER COMPONENTS.....	14
COUPLER COMPONENTS.....	16

GUIDE TO USING THIS MANUAL

The model covered by this manual is listed on the front cover.

The information detailed in this manual is subject to change without notice. The latest version is indicated by the reprint date and replaces any earlier editions.

The front cover picture shows the type of product and may not necessarily be an exact image of the model covered by the manual.

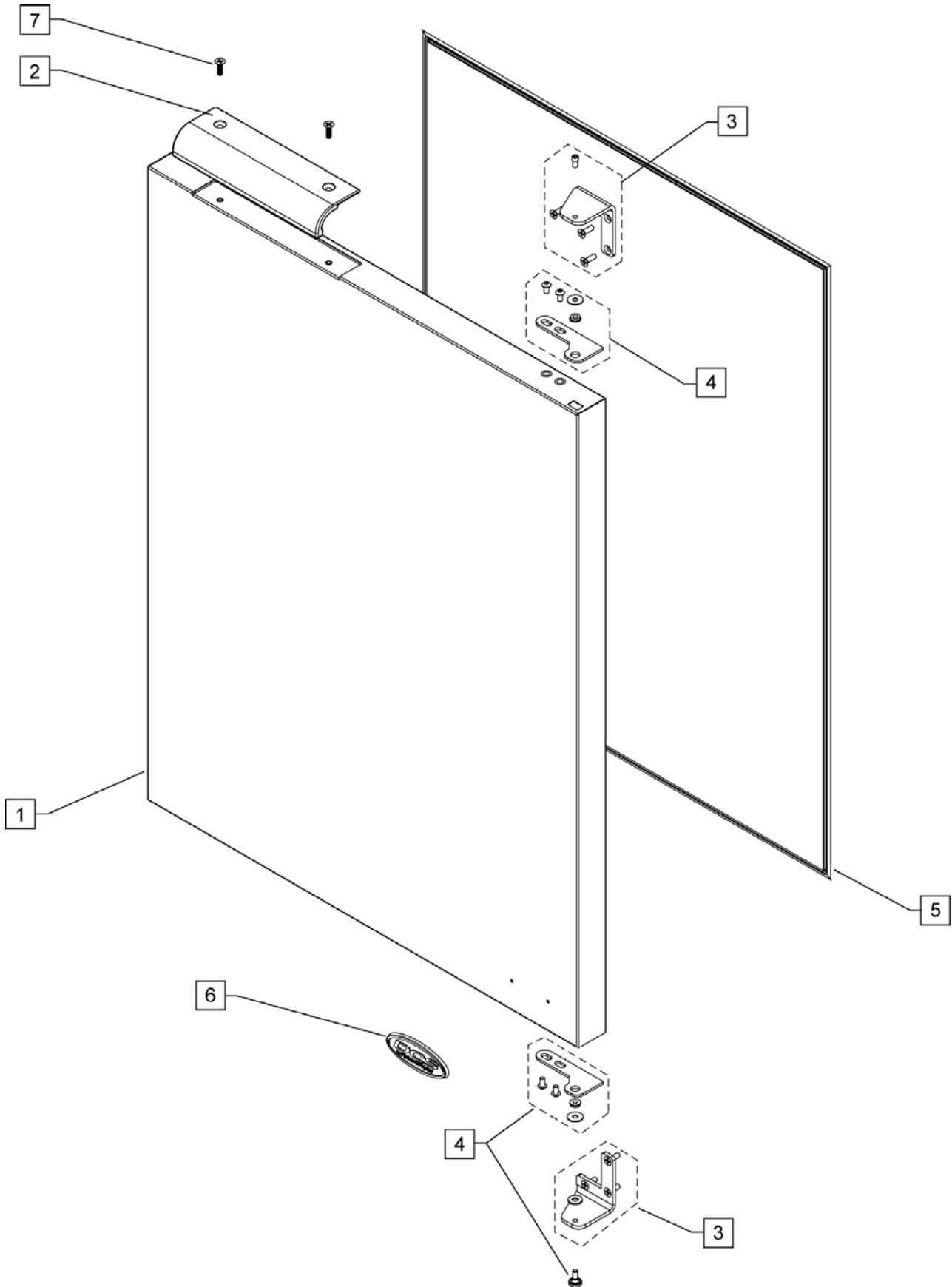
Kit Parts

Kit components are shown in *italics*. Where a part number is shown against the descriptions for these kit components, they are also available as separate items. In addition, some parts may be supplied with these kits that are not available as separate items, and are therefore either not listed, or a part number is not shown against the part description in this manual.

Parts List Key

<i>italics</i>	Kit components or parts included are shown in <i>italics</i> . Refer to above notes: Kit Parts.
NI	As a part reference, indicates the part is not illustrated on the diagram.
NOT USED	As a part number, indicates the diagram part reference is not used in this manual.

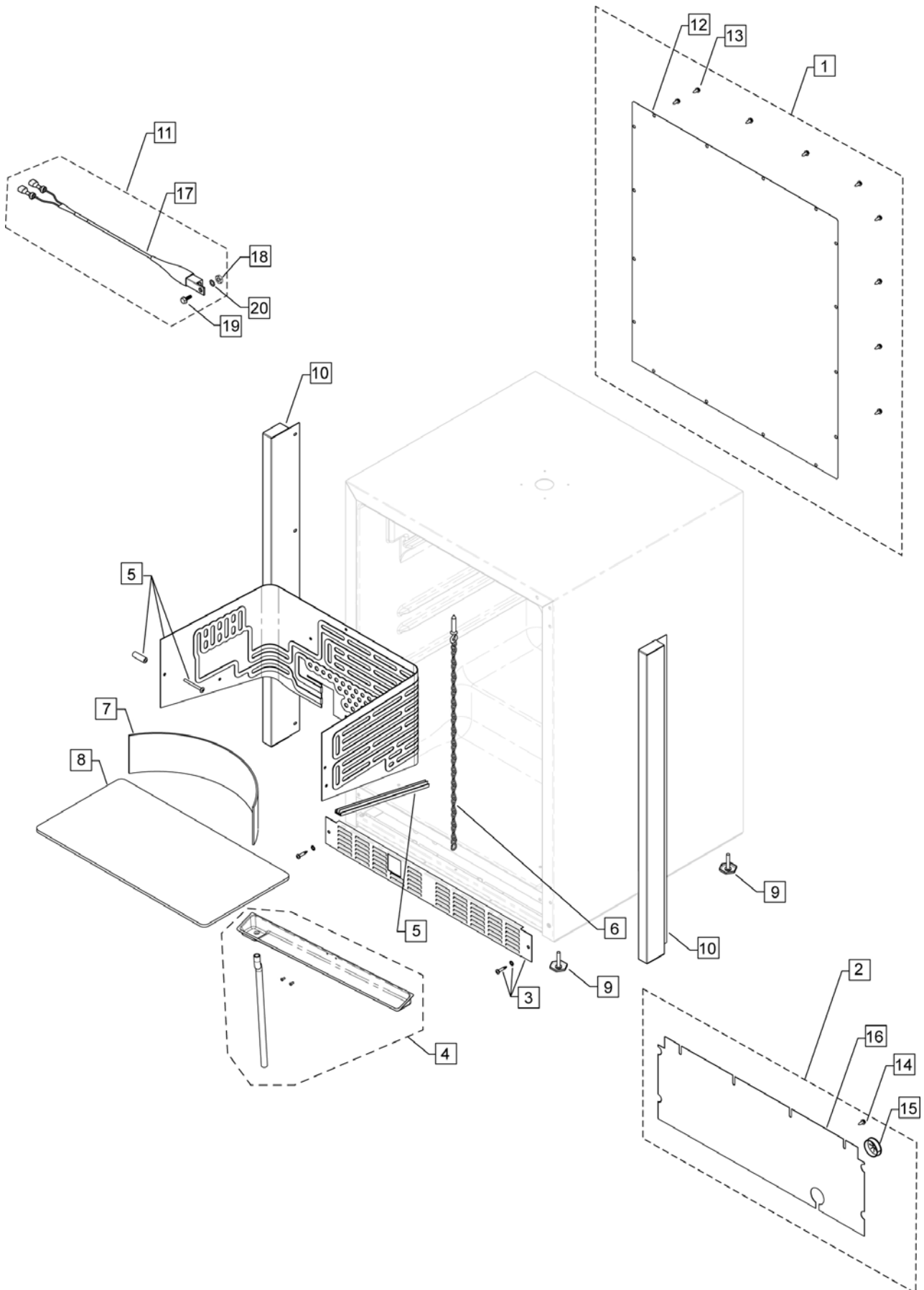
DOOR COMPONENTS



DOOR COMPONENTS

REF	PART	DESCRIPTION
1	242929	DOOR PANEL
2	239183	HANDLE, ACCESS DOOR
3	242930	TOP AND BOTTOM HINGE ASSY
	<i>Includes</i>	<i>RIGHT TOP HINGE PIN</i>
	<i>Includes</i>	<i>RIGHT TOP HINGE, SS</i>
	<i>Includes</i>	<i>FWD HINGE SCREW, SS</i>
	<i>Includes</i>	<i>RIGHT BOTTOM HINGE, SS</i>
	<i>Includes</i>	<i>RIGHT BOTTOM HINGE PIN</i>
	<i>Includes</i>	<i>WASHER</i>
4	242931	HINGE ADAPTER ASSY
	<i>Includes</i>	<i>NYLON WASHER .62 DIA X .083 THK</i>
	<i>Includes</i>	<i>NYLON HINGE BUSHING</i>
	<i>Includes</i>	<i>RIGHT TOP HINGE ADAPTER, SS</i>
	<i>Includes</i>	<i>RIGHT BOTTOM HINGE ADAPTER, SS</i>
	<i>Includes</i>	<i>BUTTON HEAD CAP SCREW</i>
5	242932	MAGNETIC DOOR GASKET, WHITE
6	237566	BADGE, 3.3"
7	239402P	MS 10-24X5/8 PH FL 316SS (PKT 2)

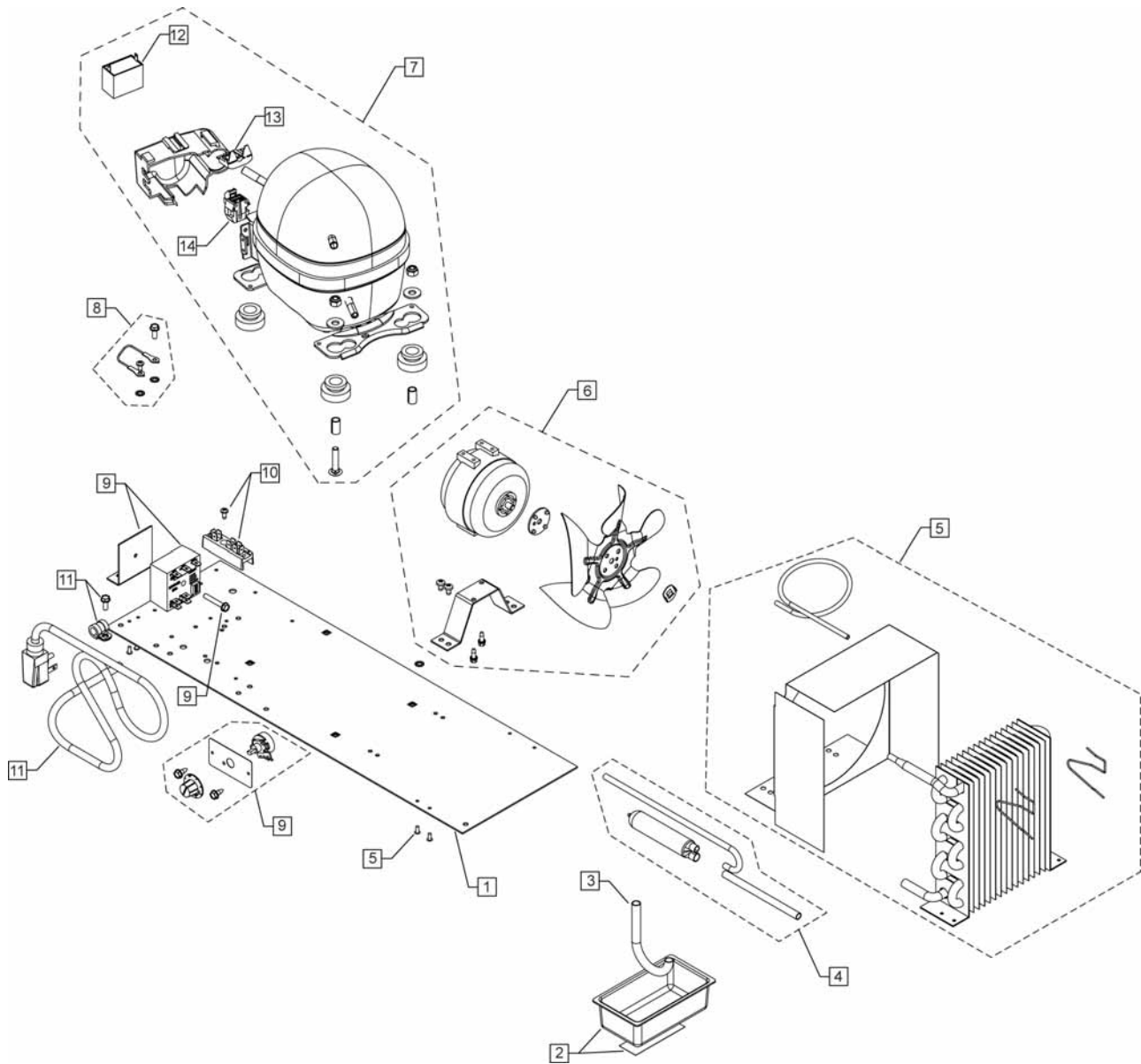
CABINET COMPONENTS



CABINET COMPONENTS

REF	PART	DESCRIPTION
1	242934	OUTDOOR BACK PANEL ASSY
	<i>Includes 243371</i>	<i>OUTDOOR BACK PANEL, SS</i>
	<i>Includes 243380</i>	<i>#10X.56 AB HEX WASH.HEAD SCREW</i>
2	242935	O.D. BACK SHROUD ASSY, RF24R/T
	<i>Includes 243372</i>	<i>OUTDOOR BACK SHROUD, SS</i>
	<i>Includes 243373</i>	<i>GROMMET/BUSHING</i>
	<i>Includes 243387</i>	<i>#10X5/8 AB HEX WASH.HEAD SCREW</i>
3	242976	OUTDOOR GRILLE ASSY, RF24T
	<i>Includes</i>	<i>RECTANGULAR HOLE GRILLE, SS</i>
	<i>Includes</i>	<i>#12 EXTERNAL TOOTH STAR WASHER, SS</i>
	<i>Includes</i>	<i>#10 X 1 TEK SCREW, SS</i>
4	242977	DRAIN SSY, RF24T
	<i>Includes</i>	<i>DRIP TRAY, WHITE</i>
	<i>Includes</i>	<i>#AD43ABS ALUMINUM POP RIVET</i>
	<i>Includes</i>	<i>DRAIN TUBE, WHITE</i>
5	242941	EVAPORATOR ASSY, RF24R/T
	<i>Includes</i>	<i>EVAPORATOR, WHITE</i>
	<i>Includes</i>	<i>1.28" SPACER, WHITE</i>
	<i>Includes</i>	<i>#10-32 X 2 MACHINE SCREW, SS</i>
	<i>Includes</i>	<i>TRIM, WHITE</i>
	<i>Includes</i>	<i>DRYER 1/4 X 5/16 X 3/32</i>
6	242978	CO2 TANK RESTRAINT
7	242979	WALL SHIELD
8	242980	FLOOR SHIELD
9	242942	LEVELING LEGS
10	242265	TRIM ASSY (R/L), RF 24 ALL
11	243186	THERMISTOR ASSEMBLY
	<i>Includes 243376</i>	<i>THERMISTOR</i>
	<i>Includes 243377</i>	<i>#10-32 HEX MACHINE SCREW NUT, SS</i>
	<i>Includes 243378</i>	<i>#10-32 HEX WASHER HEAD SCREW, SS</i>
	<i>Includes 243379</i>	<i>#10 EXTERNAL TOOTH STAR WASHER, SS</i>
12	243371	OUTDOOR BACK PANEL, SS
13	243380	#10X.56 AB HEX WASH.HEAD SCREW
14	243387	#10X5/8 AB HEX WASH.HEAD SCREW
15	243373	GROMMET/BUSHING
16	243372	OUTDOOR BACK SHROUD, SS
17	243376	THERMISTOR
18	243377	#10-32 HEX MACHINE SCREW NUT, SS
19	243378	#10-32 HEX WASHER HEAD SCREW, SS
20	243379	#10 EXTERNAL TOOTH STAR WASHER, SS
NI	241585	U&C MANUAL - RF24R / RF24T
NI	212557	CASTER KIT (4-PACK) (OPTIONAL)

MECHANICAL COMPONENTS

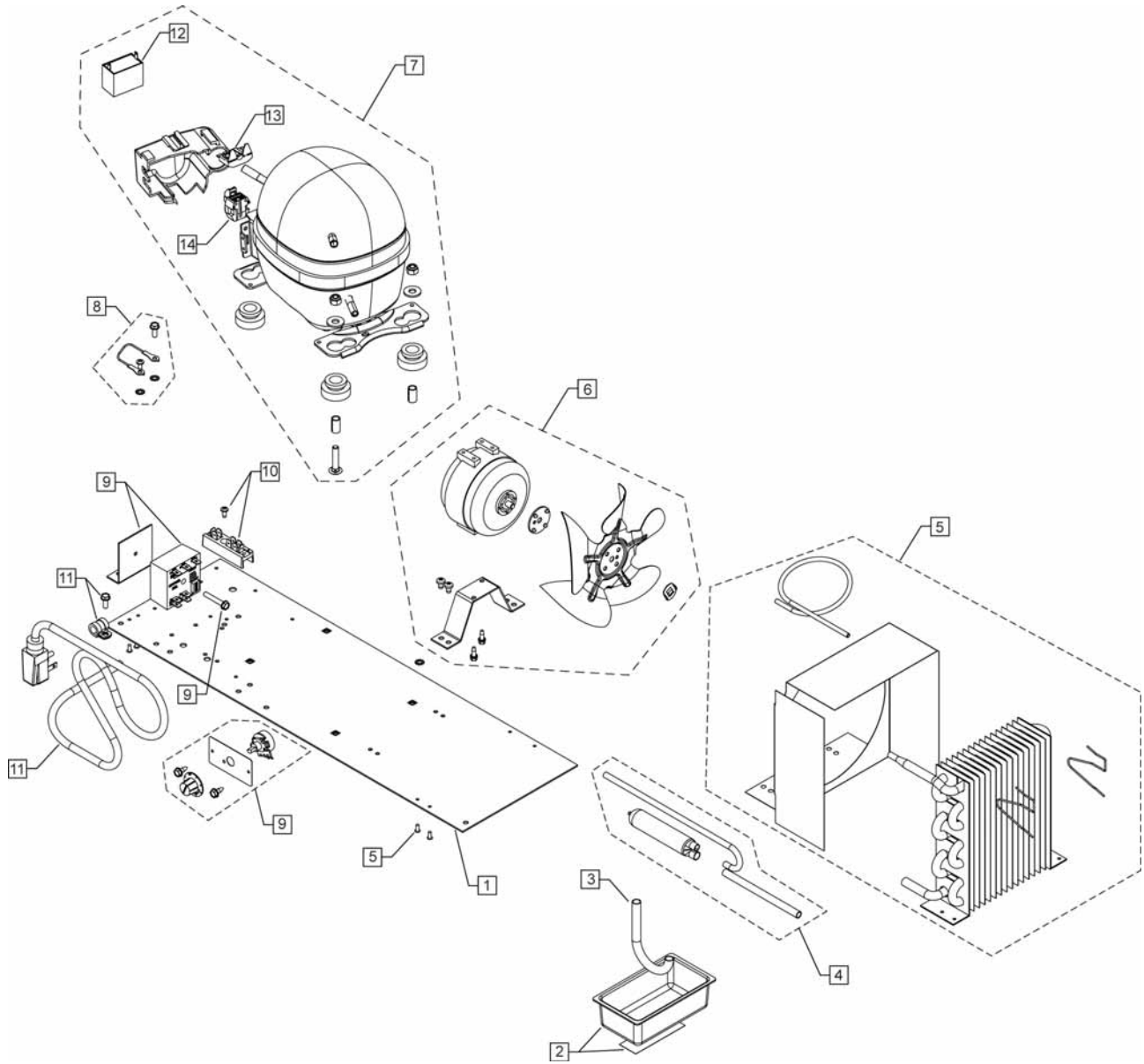


MECHANICAL COMPONENTS

REF	PART	DESCRIPTION
1	242981	MECHANICAL BASEPLATE, RF24T
2	242945	DRIP PAN ASSY
	<i>Includes</i>	<i>DRIP PAN, LONG – STANTION</i>
	<i>Includes</i>	<i>TAPE – CTL</i>
3	242946	“J” TRAP ASSY
4	242947	DRYER ASSY
	<i>Includes</i>	<i>DRYER 1/4 X 5/16 X 3/32</i>
	<i>Includes</i>	<i>COPPER TUBE, .312 OD X 4.50 LG</i>
	<i>Includes</i>	<i>TUBING – EVACUATION</i>
5	242948	CONDENSER ASSY, RF24R/T
	<i>Includes</i>	<i>CONDENSER, R-134A</i>
	<i>Includes</i>	<i>POP RIVET # AD43ABS ALUMINUM</i>
	<i>Includes</i>	<i>FAN SHROUD</i>
	<i>Includes</i>	<i>SHROUD CLIP</i>
	<i>Includes</i>	<i>TUBING – 14 LONG</i>
	<i>Includes</i>	<i>DRYER 1/4 X 5/16 X 3/32</i>
6	242949	FAN MOTOR ASSY
	<i>Includes</i>	<i>TINNERMAN NUT</i>
	<i>Includes</i>	<i>FAN BLADE</i>
	<i>Includes</i>	<i>FAN MOTOR BRACKET, NEW MECHANICAL ASSEMBLY</i>
	<i>Includes</i>	<i>SILENCER</i>
	<i>Includes</i>	<i>FAN MOTOR, 115V/60HZ</i>
	<i>Includes</i>	<i># 10-32 X 5/16 SCREW, PHIL PAN, TAPTITE, ZINC</i>
	<i>Includes</i>	<i>MOUNTING SCREW # 8 X 36</i>
7	242950	COMPRESSOR ASSEMBLY, RF24R
	<i>Includes</i>	<i>SLEEVE</i>
	<i>Includes</i>	<i>GROMMET</i>
	<i>Includes</i>	<i>.312 ID FLAT WASHER</i>
	<i>Includes</i>	<i>LOCK NUT .25-20 UNC 2B THD., ZINC</i>
	<i>Includes</i>	<i>COMPRESSOR</i>
	<i>Includes 243187</i>	<i>CAPACITOR</i>
	<i>Includes 243188</i>	<i>OVERLOAD</i>
	<i>Includes 243189</i>	<i>START RELAY</i>
	<i>Includes</i>	<i>COVER - COMPRESSOR</i>
	<i>Includes</i>	<i>CARRIAGE BOLT 1/4-20 X 1.25 UNC 2A</i>
	<i>Includes 242947</i>	<i>DRYER ASSY</i>
8	242951	GROUND WIRE ASSY, RF24R
	<i>Includes</i>	<i>GROUND WIRE</i>
	<i>Includes</i>	<i>#10-32 X 1/2 HEX WASHER HEAD SCREW, UC - TYPE “F” CHR</i>
	<i>Includes</i>	<i># 10 EXTERNAL TOOTH LOCK WASHER</i>

Continued next page

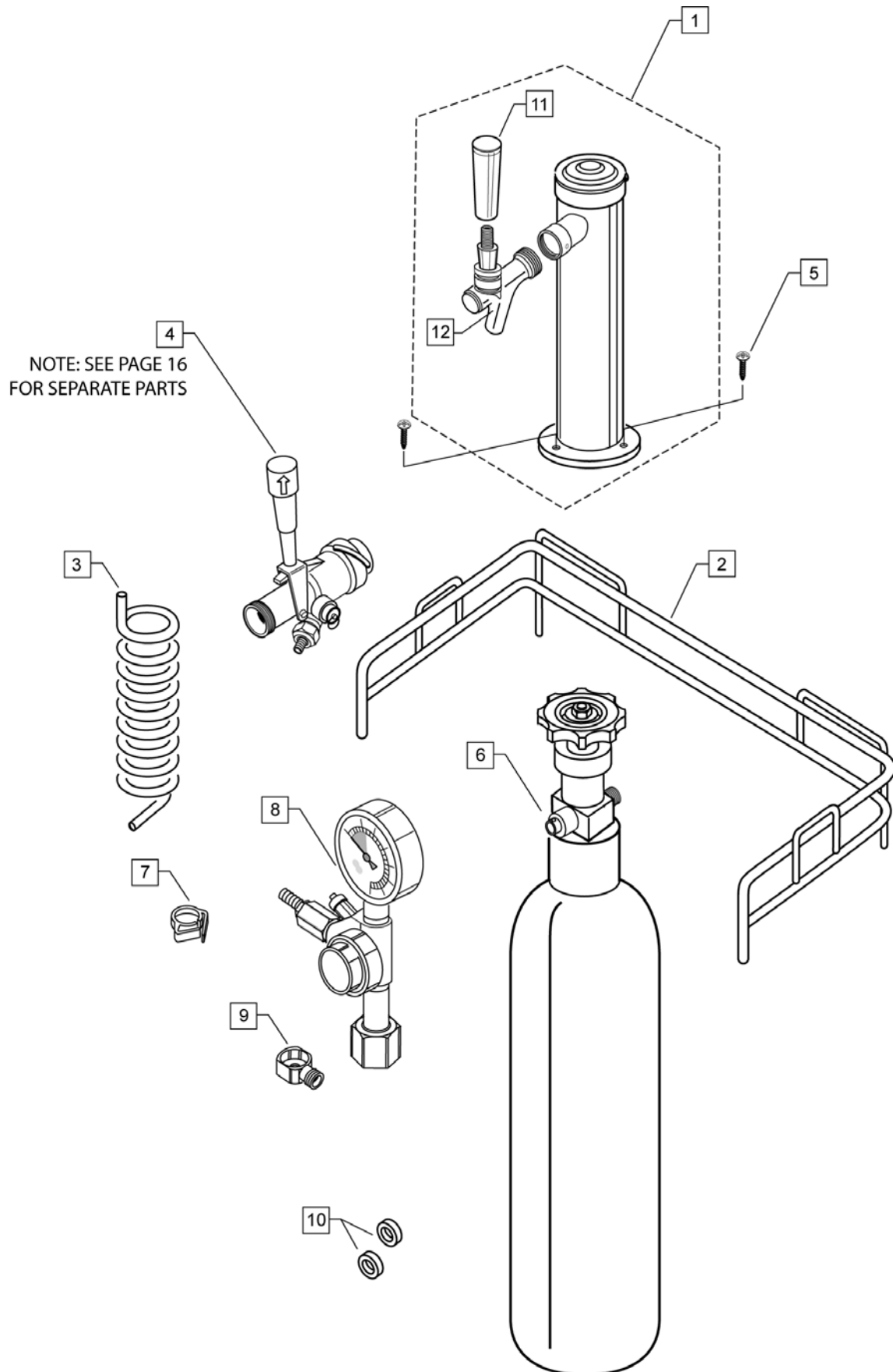
MECHANICAL COMPONENTS



MECHANICAL COMPONENTS

REF	PART	DESCRIPTION
9	242952	SSAC THERMO POTENTIOMETER ASSY
	<i>Includes</i>	SSAC THERMOSTAT POTENTIOMETER
	<i>Includes</i>	POTENTIOMETER MOUNTING BRACKET
	<i>Includes</i>	THERMOSTAT KNOB
	<i>Includes</i>	MOUNTING BRACKET
	<i>Includes</i>	# 10-32 X 1 1/4 HEX WASHER HEAD SCREW, TAPTITE, NKLPL
	<i>Includes</i> 243186	THERMISTOR ASSEMBLY
10	242953	TERMINAL BLOCK ASSY
	<i>Includes</i>	# 8-32 X 3/8 SCREW, PHIL PAN, TAPTITE, ZINC
	<i>Includes</i>	TERMINAL BLOCK, ELECTRON
11	242954	POWER CORD ASSY, RF24R/T
	<i>Includes</i>	POWER CORD
	<i>Includes</i>	CORD CLAMP - ROUND CORDS
	<i>Includes</i>	#10-32 X 1/2 HEX WASHER HEAD SCREW, UC - TYPE "F" CHR
12	243187	CAPACITOR
13	243188	OVERLOAD
14	243189	START RELAY
NI	243190	COMPRESSOR WIRE, RED
NI	243191	COMPRESSOR WIRE, WHITE
NI	243192	COMP.WIRE, WHITE/YELLOW STRIPS
NI	243184	CORK TAPE

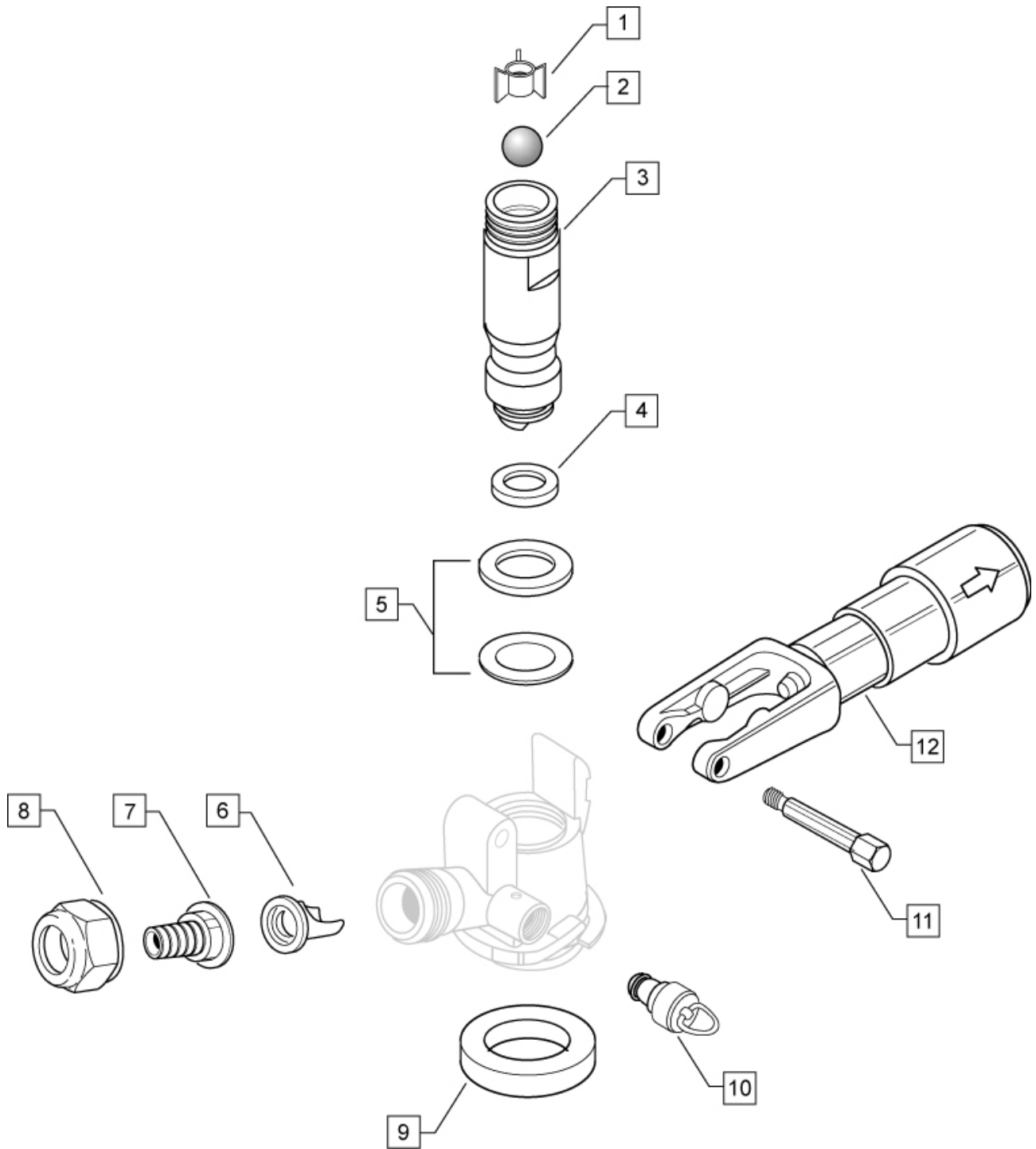
BEER DISPENSER COMPONENTS



BEER DISPENSER COMPONENTS

REF	PART	DESCRIPTION
1	212914	TOWER ASSY
	<i>Includes</i>	<i>TOWER</i>
	<i>Includes 238776</i>	<i>FAUCET</i>
	<i>Includes 238640</i>	<i>HANDLE DISPENSER</i>
	<i>Includes 238783</i>	<i>HOSE, 5/16" CLEAR VINYL</i>
	<i>Includes 243356</i>	<i>GASKET 3" O.D. TOWER</i>
2	70447	MUG RAIL 624 REFRIG/BEER TAP
3	238780	AIR HOSE, 5/16" RED VINYL
4	238634	COUPLER ASSY
5	211265	SM 10 X 1 1/4 PH PN HD TY A NI
6	212943	5 LB TANK C02 (BEER DISPENSER)
7	238777	HEX NUT
8	212942	SINGLE GAUGE REGULATOR
9	238778	COUPLER ELBOW
10	238779	WASHER
11	238640	HANDLE DISPENSER
12	238776	FAUCET
NI	241401	TRAY, BEER TAPPER
NI	238782	PLASTIC SNAP CLAMP 5/16"
NI	238783	HOSE, 5/16" CLEAR VINYL
NI	243356	GASKET 3" O.D. TOWER

COUPLER COMPONENTS



COUPLER COMPONENTS

REF	PART	DESCRIPTION
1	239932	RETAINER, CHECK BALL
2	239933	CHECK BALL
3	238619	PROBE ("D" SYSTEM)
4	238626	SEAL, PROBE "D" SYSTEM
5	239934	O-RING
6	239935	CHECK VALVE
7	238629	HOSE NIPPLE
8	239937	COUPLING, HEX NUT
9	238630	BODY, WASHER
10	238631	PRESSURE RELIEF VALVE
11	238632	HINGE PIN
12	238633	HANDLE, ASSY, BLACK