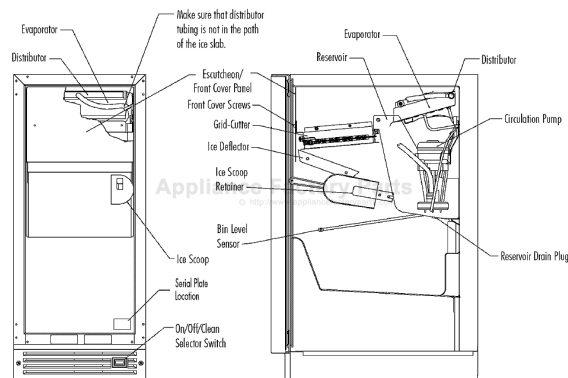


This Owner's Manual is provided and hosted by [Appliance Factory Parts](http://ApplianceFactoryParts.com).



FISHER & PAYKEL RF151 Owner's Manual

[Shop genuine replacement parts for FISHER & PAYKEL RF151](#)



[Find Your FISHER & PAYKEL Refrigerator Parts - Select From 4 Models](#)

----- Manual continues below -----



OUTDOOR ICE MAKER

Parts List



MODEL
RF15I

PRODUCT CODE
70879

PRODUCT

Brand	DCS
Voltage	120V 60Hz
Model	RF15I
Product Code	70879

Fisher & Paykel Appliances, Inc.
5900 Skylab Road, Huntington Beach, CA 92647
Customer Care: 1-888-936-7872
Fax: (714) 372-7003
email: customer.care@fisherpaykel.com
www.dcsappliances.com

COPYRIGHT © FISHER & PAYKEL LTD 2009 - ALL RIGHTS RESERVED

TABLE OF CONTENTS

DOOR COMPONENTS..... 6
 FRONT CABINET COMPONENTS..... 8
 MECHANICAL/REAR CABINET COMPONENTS 10
 INTERIOR COMPONENTS 14

GUIDE TO USING THIS MANUAL

The model covered by this manual is listed on the front cover.

The information detailed in this manual is subject to change without notice. The latest version is indicated by the reprint date and replaces any earlier editions.

The front cover picture shows the type of product and may not necessarily be an exact image of the model covered by the manual.

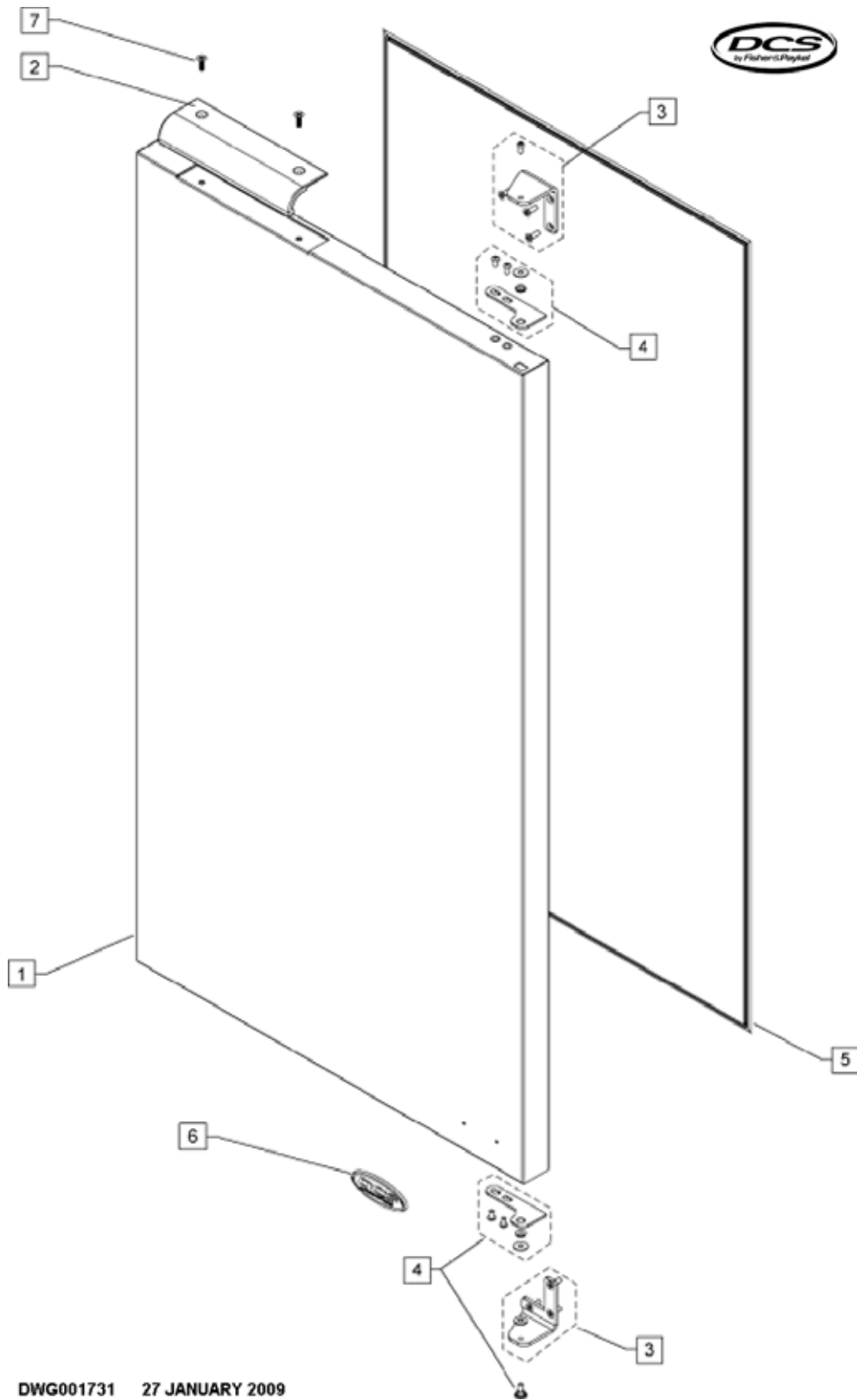
Kit Parts

Kit components are shown in *italics*. Where a part number is shown against the descriptions for these kit components, they are also available as separate items. In addition, some parts may be supplied with these kits that are not available as separate items, and are therefore either not listed, or a part number is not shown against the part description in this manual.

Parts List Key

<i>italics</i>	Kit components or parts included are shown in <i>italics</i> . Refer to above notes: Kit Parts.
NI	As a part reference, indicates the part is not illustrated on the diagram.
NOT USED	As a part number, indicates the diagram part reference is not used in this manual.

DOOR COMPONENTS

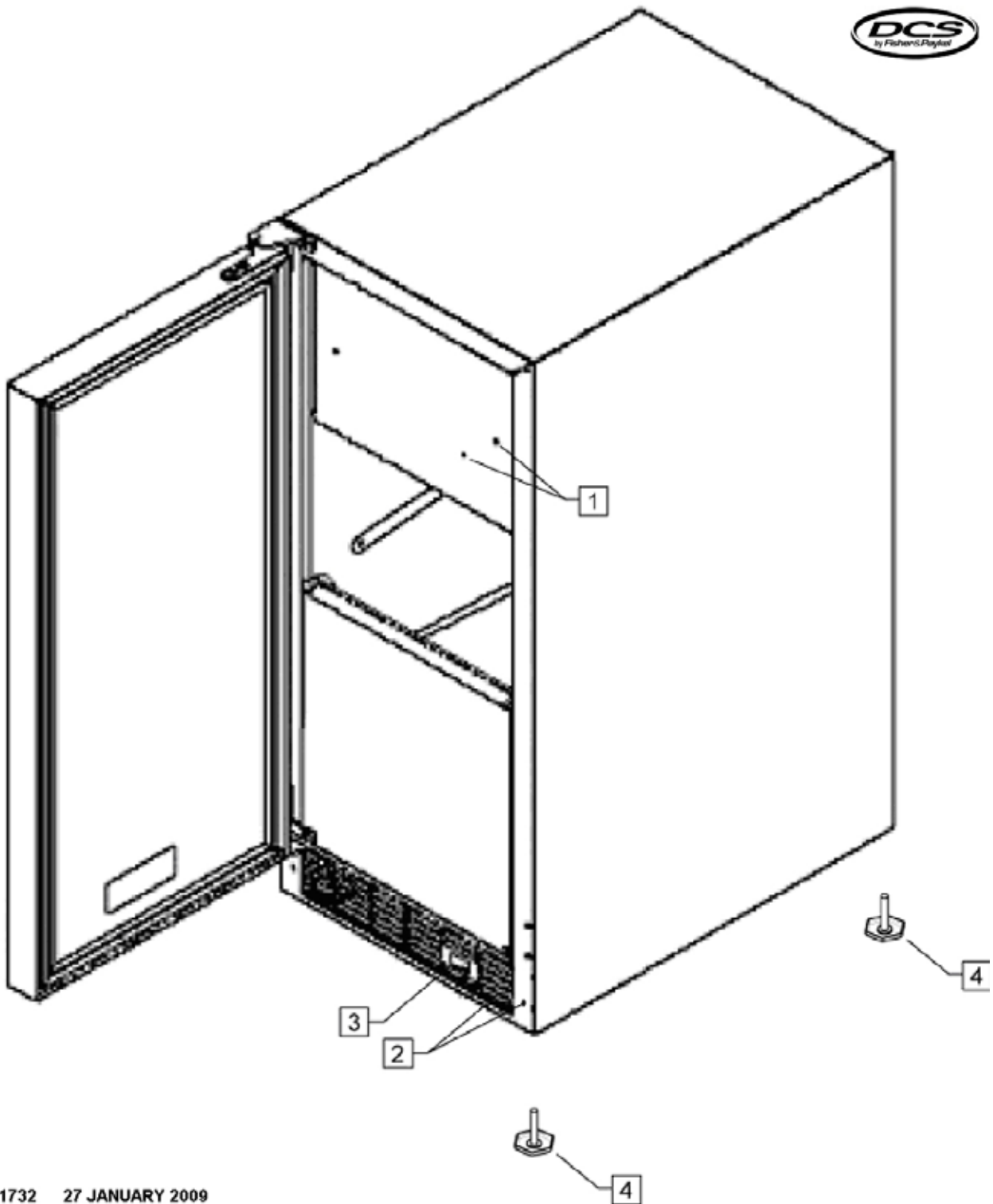


DWG001731 27 JANUARY 2009

DOOR COMPONENTS

REF	PART	DESCRIPTION
1	239348	FOAMED DOOR ASSEMBLY
2	239349	DOOR HANDLE ASSEMBLY
3	242930	TOP AND BOTTOM HINGE ASSY
	<i>Includes</i>	<i>RIGHT TOP HINGE PIN</i>
	<i>Includes</i>	<i>RIGHT TOP HINGE SS</i>
	<i>Includes</i>	<i>FWD HINGE SCREW SS</i>
	<i>Includes</i>	<i>RIGHT BOTTOM HINGE SS</i>
	<i>Includes</i>	<i>RIGHT BOTTOM HINGE PIN</i>
	<i>Includes</i>	<i>WASHER</i>
4	242931	HINGE ADAPTER ASSY
	<i>Includes</i>	<i>NYLON WASHER .62 DIA X .083 THK</i>
	<i>Includes</i>	<i>NYLON HINGE BUSHING</i>
	<i>Includes</i>	<i>RIGHT TOP HINGE ADAPTER SS</i>
	<i>Includes</i>	<i>RIGHT BOTTOM HINGE ADAPTER SS</i>
	<i>Includes</i>	<i>BUTTON HEAD CAP SCREW</i>
5	239381	MAGNETIC DOOR GASKET, WHITE
6	239441	DCS NAMEPLATE
7	239402P	MS 10-24X5/8 PH FL 316SS (PKT 2)

FRONT CABINET COMPONENTS

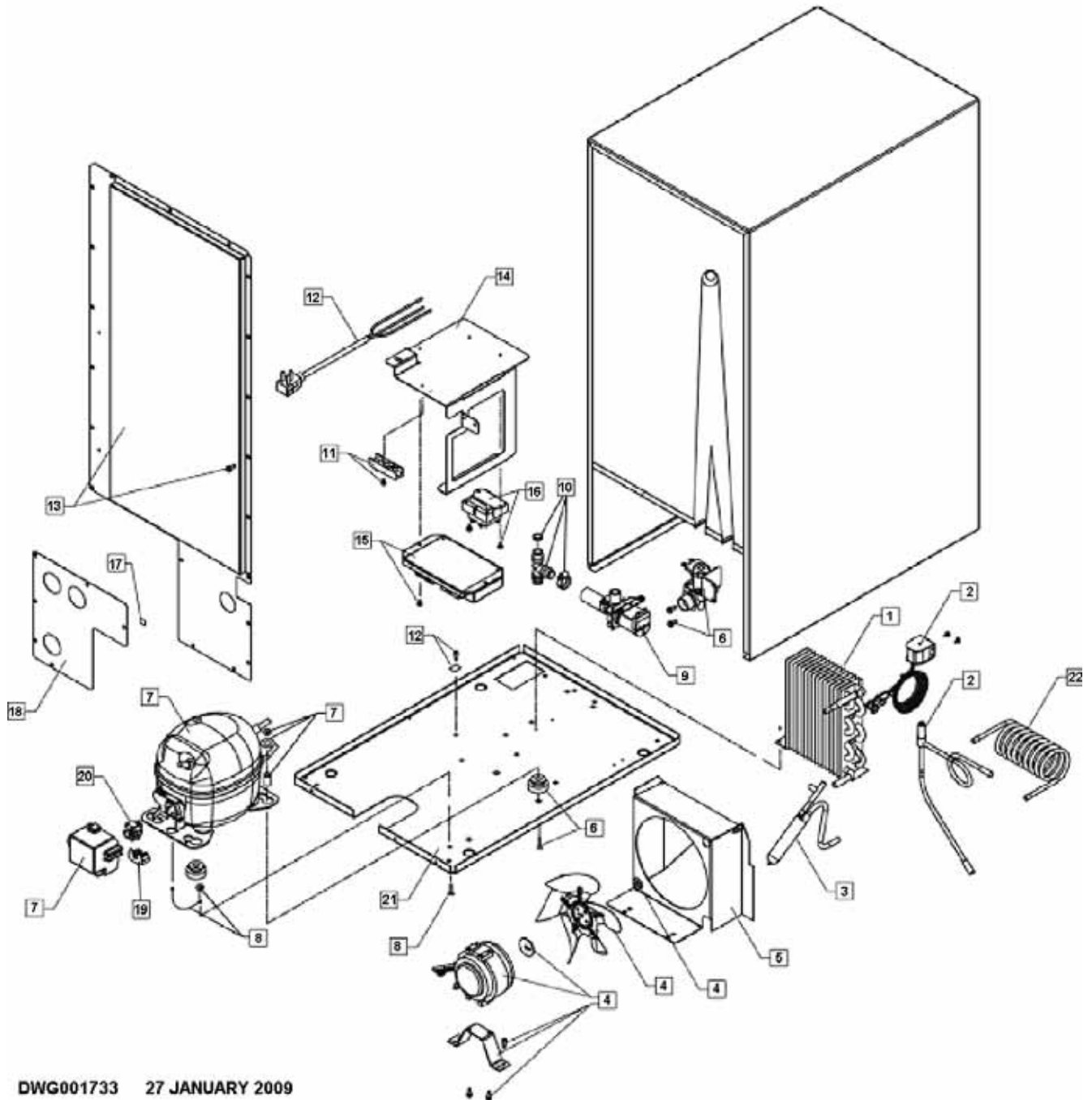


DWG001732 27 JANUARY 2009

CABINET COMPONENTS

REF	PART	DESCRIPTION
1	239442	ESCUTCHEON ASSEMBLY
	<i>Includes</i>	<i>ESCUTCHEON</i>
	<i>Includes</i>	<i>10-32X1/2 MS SS</i>
2	239443	GRILLE ASSEMBLY
	<i>Includes</i>	<i>GRILLS, SS</i>
	<i>Includes</i>	<i>12X3/4 HEX WASHER HEAD SCREW SS</i>
	<i>Includes</i>	<i>#12 EXTERNAL TOOTH STAR SWITCH BLACK</i>
3	239444	ON-OFF-CLEAN SWITCH BLACK
4	239450	LEVELING LEGS
NI	241587	U&C MANUAL -RF15I

MECHANICAL/REAR CABINET COMPONENTS



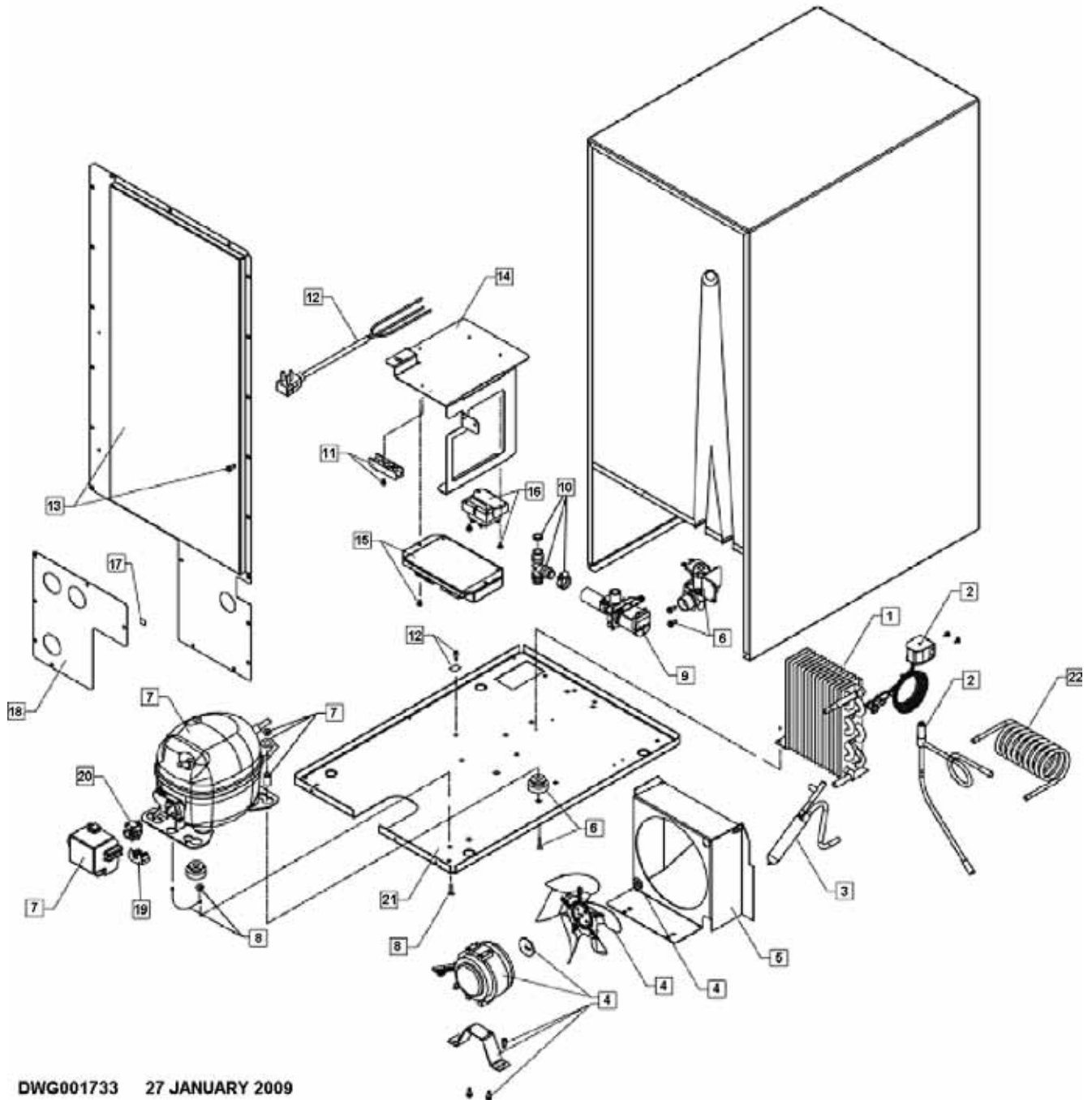
DWG001733 27 JANUARY 2009

MECHANICAL/REAR CABINET COMPONENTS

REF	PART	DESCRIPTION
1	239692	CONDENSER ASSY.
	<i>Includes</i>	CONDENSER
	<i>Includes</i>	1/8" POP RIVETS STEEL
2	239693	HOT GAS VALVE ASSY.
	<i>Includes</i>	SOLENOID COIL
	<i>Includes</i>	HOT GAS VALVE
3	239694	DRIER ASSY.
4	239695	FAN MOTOR ASSY.
	<i>Includes</i>	FAN MOTOR
	<i>Includes</i>	TENNERMAN NUT
	<i>Includes</i>	FAN BLADE
	<i>Includes</i>	SILENCER
	<i>Includes</i>	10-24 HEX KEPS NUT
	<i>Includes</i>	10-24X.5 UNC 2C CARRIAGE BOLT
5	239696	FAN SHROUD
6	239699	WATER VALVE ASSY.
	<i>Includes</i>	WATER VALVE
	<i>Includes</i>	10X.5 AB HWH HURRICANE SCREW, ZN
7	239697	COMPRESSOR ASSY.
	<i>Includes</i>	COMPRESSOR
	<i>Includes</i>	TERMINAL COVER
	<i>Includes</i> 239772	PTC STARTER
	<i>Includes</i> 239773	OVERLOAD
	<i>Includes</i>	1/4-20 CARRIAGE BOLT
	<i>Includes</i>	SLEEVE
	<i>Includes</i>	GROMMET
	<i>Includes</i>	.312 ID FLAT WASHER
	<i>Includes</i>	.25-20 UNC 2B LOCKNUT ZN
8	239698	GROUND WIRE ASSY.
	<i>Includes</i>	GROUND WIRE
	<i>Includes</i>	10-24X.5 UNC 2A CARRIAGE BOLT
	<i>Includes</i>	10-24 HEX KEPS NUT
	<i>Includes</i>	1/4" EXTERNAL TOOTH LOCK WASHER ZN
	<i>Includes</i>	#8 EXTERNAL TOOTH LOCK WASHER ZN
	<i>Includes</i>	8X.38 HHT AB SCREW ZN
9	239700	DRAIN VALVE ASSY.
	<i>Includes</i>	DRAIN VALVE
	<i>Includes</i>	10X.5 AB HWH HURRICANE SCREW ZN
10	239701	TEE FITTING/FLOW RESTRICTOR ASSY.
	<i>Includes</i>	TEE FITTING/FLOW RESTRICTOR
	<i>Includes</i>	HOSE CLAMP

Continued next page

MECHANICAL/REAR CABINET COMPONENTS

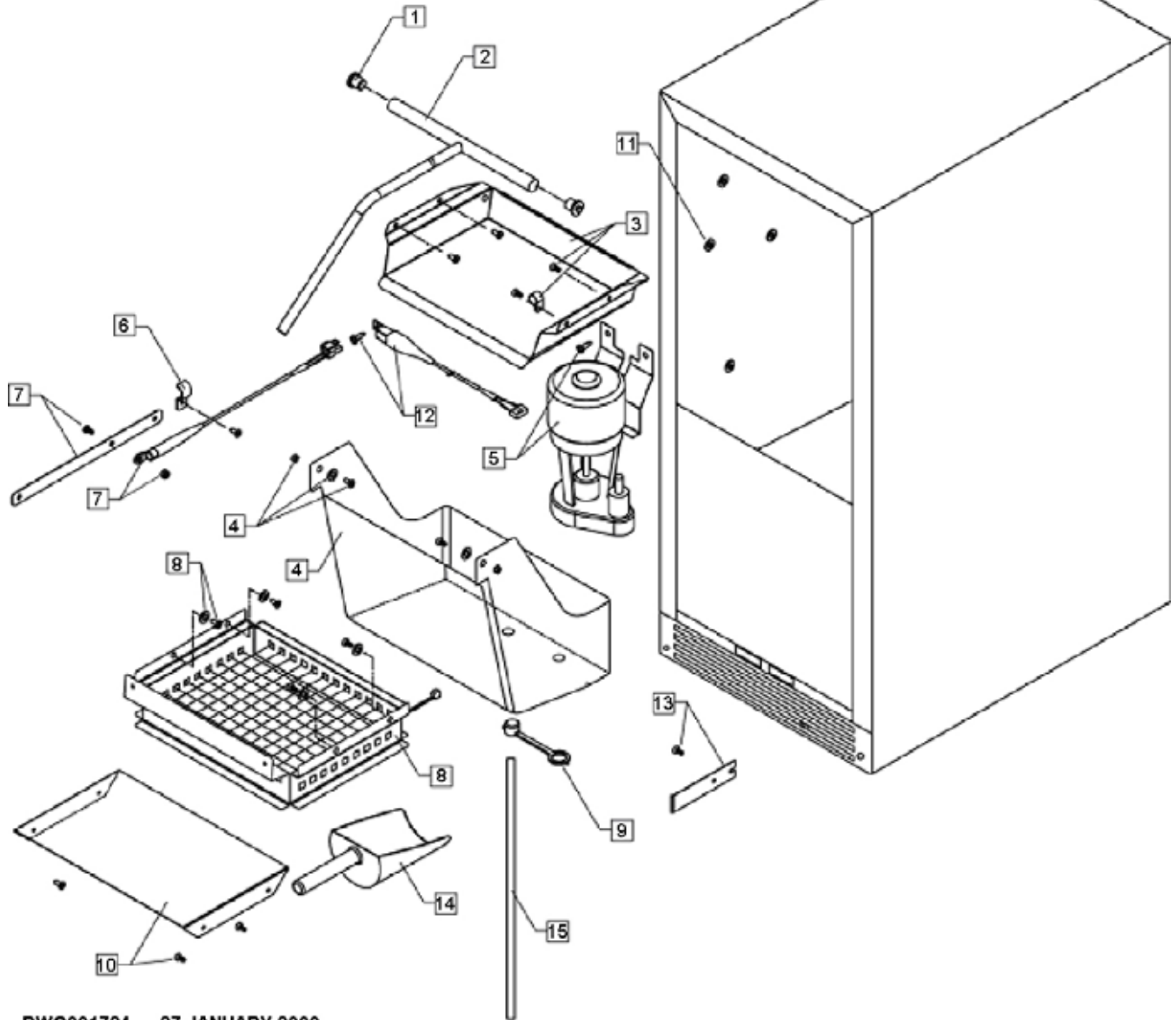


DWG001733 27 JANUARY 2009

MECHANICAL/REAR CABINET COMPONENTS

REF	PART	DESCRIPTION
11	239702	TERMINAL BLOCK ASSY.
	<i>Includes</i>	<i>TERMINAL BLOCK</i>
	<i>Includes</i>	<i>8-32 X 3/8 PH PAN TAP SCREW ZN</i>
12	239705	POWER CORD ASSY.
	<i>Includes</i>	<i>POWER CORD</i>
	<i>Includes</i>	<i>POWER CORD CLAMP</i>
	<i>Includes</i>	<i>10-24 HEX KEPS NUT</i>
	<i>Includes</i>	<i>10-24X.5 UNC 2A CARRIAGE BOLT</i>
13	239706	RAISED BLACK PANEL ASSY.
	<i>Includes</i>	<i>RAISED BLACK PANEL</i>
	<i>Includes</i>	<i>10X1/2 HWD DRILL POINT SCREW SS</i>
14	239707	SATURN CONTROL BRACKET
15	239709	SATERN ELECTRONIC CONTROL
16	239735	TRANSFORMER 120V TO 12V
17	239736	U-CLIP
18	239771	ACCESS PANEL ASSY.
19	239772	PTC STARTER
20	239773	OVERLOAD
21	239774	BASEPLATE
22	239776	PRECOOLER
NI	70965	DRAIN PUMP ICE MAKER
NI	239775	POWER WIRE HARNESS

INTERIOR COMPONENTS



DWG001734 27 JANUARY 2009

INTERIOR COMPONENTS

REF	PART	DESCRIPTION
1	239453	DISTRIBUTOR TUBE END
2	239454	DISTRIBUTOR TUBE AND DRAIN TUBE ASSY.
	<i>Includes</i>	<i>DISTRIBUTER TUBE</i>
	<i>Includes</i>	<i>DRAIN TUBE WHITE</i>
	<i>Includes</i>	<i>HOSE CLAMP</i>
3	239455	EVAPORATOR ASSY.
	<i>Includes</i>	<i>EVAPORATOR ASSY. WHITE</i>
	<i>Includes</i>	<i>10-32X1 TH MS SS</i>
	<i>Includes</i>	<i>P-CLAMP</i>
4	239456	RESERVOIR ASSY.
	<i>Includes</i>	<i>PLASTIC WASHER WHITE</i>
	<i>Includes</i>	<i>RESERVOIR</i>
	<i>Includes</i>	<i>1/4" LARGE VINTL SPACER WHITE</i>
	<i>Includes</i>	<i>10-32X1.25 TH MS SS</i>
5	239460	CIRCULATION PUMP ASSY.
	<i>Includes</i>	<i>CIRCULATION PUMP</i>
	<i>Includes</i>	<i>10-32X1 TH MS SS</i>
6	239461	P-CLAMP WHITE
7	239462	BIN THERMISTOR ASSY.
	<i>Includes</i>	<i>BIN THERMISTOR</i>
	<i>Includes</i>	<i>10-32X1 TH MS SS</i>
	<i>Includes</i>	<i>BIN THERMISTOR BAR</i>
	<i>Includes</i>	<i>10-24 PH SCREW SS</i>
	<i>Includes</i>	<i>10-24 LOCK NUT SS</i>
8	239463	GRID-CUTTER ASSY.
	<i>Includes</i>	<i>GRID-CUTTER</i>
	<i>Includes</i>	<i>10-32X1 TH MS SS</i>
	<i>Includes</i>	<i>PLASTIC WASHER WHITE</i>
9	239511	RESERVOIR DRAIN PLUG
10	239607	ICE DEFLECTOR ASSY.
	<i>Includes</i>	<i>ICE DEFLECTOR</i>
	<i>Includes</i>	<i>10-32X1 TH MS.SS</i>
11	239616	10-32 WELLNUT
12	239619	EVAPORATOR THERMISTOR ASSY.
	<i>Includes</i>	<i>EVAPORATOR THERMISTOR</i>
	<i>Includes</i>	<i>10-32X1/2 MS SS</i>
13	239620	RETAINER CLIP ASSY.
	<i>Includes</i>	<i>RETAINER CLIP</i>
	<i>Includes</i>	<i>10-32X1 TH MS SS</i>
14	239691	ICE SCOOP
15	245132	RESERVOIR DRAIN TUBE