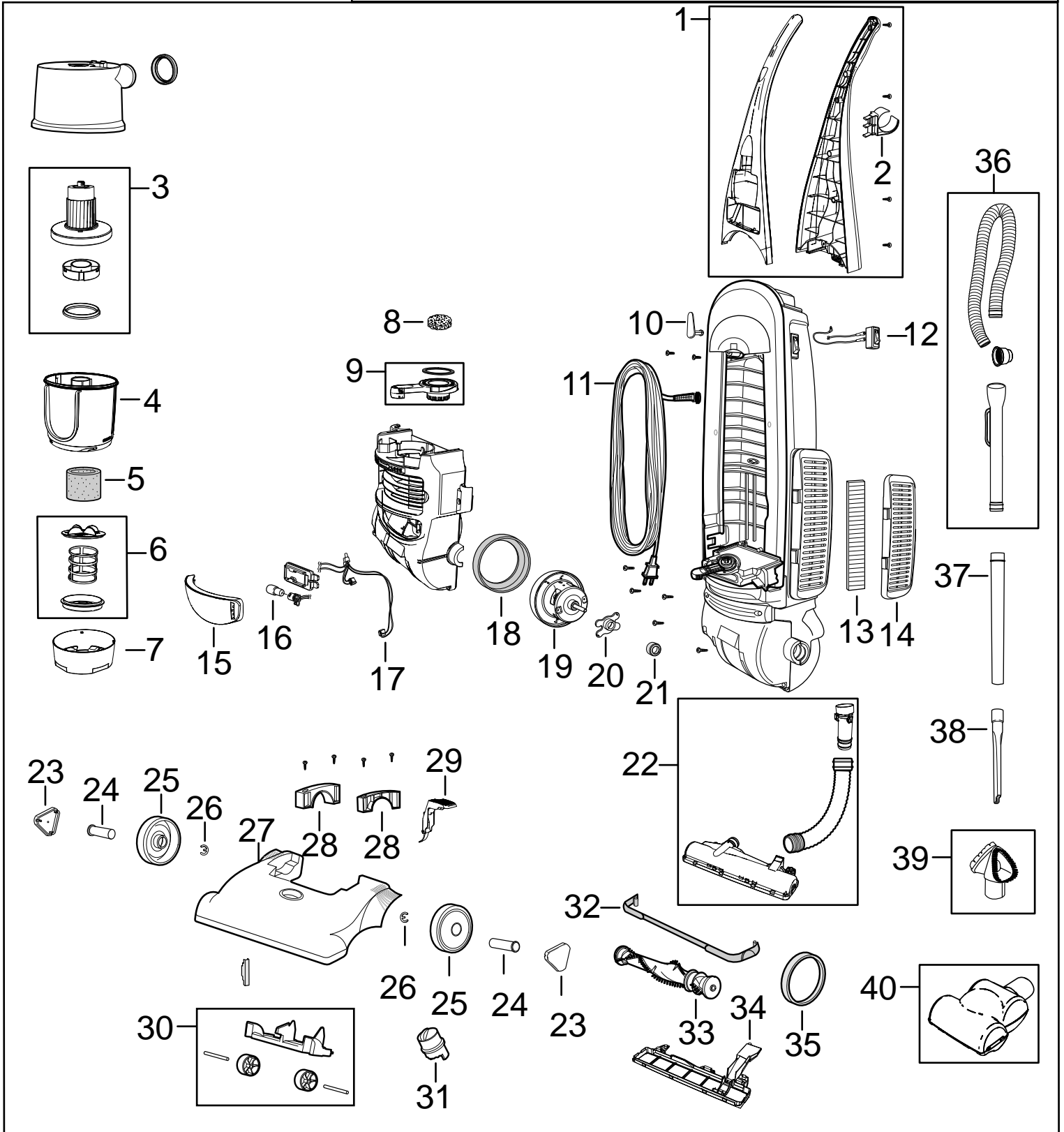


# Cleanview II™ Plus

## 20Q9 Series



**Cleanview II™ Plus**

20Q9 Series

KEY	PART NO	DESCRIPTION
1	B-203-6668	Upper Handle Assembly w/ Turbobrush Holder
2	B-203-1028	Hanger - Hose
3	B-203-1180	Cyclone Assembly
4	B-203-1250	Dirt Cup
5	B-203-1192	Foam Fliter
6	B-203-1183	Pleated Circular Filter
7	B-203-1182	Fliter Case
8	B-203-1215	Lever Filter
9	B-203-1137	Lock n' Seal Lever
10	B-203-1198	Cord Release
11	B-203-1067	Power Cord
12	B-203-1035	Switch- Rocker
13	B-32076	Post Motor Filter HEPA
14	B-203-1088	Post Motor Filter Grille
15	B-203-1248	Headlight Lens
16	B-203-1297	Light Bulb - 12 Volt
19	B-203-1138	Vacuum Motor, Compact
22	B-203-1240	Case Drum Assembly
23	B-203-2065	Wheel Cap - Black
24	B-203-2547	Axle
25	B-203-2037	Rear Wheel
26	B-203-2548	E-Ring
27	B-203-2119	Top Cover - Black
28	B-203-1222	Neck Brush
29	B-203-0052	Lever Release
30	B-203-1330	Roller Assembly w/Axle
31	B-203-1095	Height Adjustment Knob
32	B-203-1241	Bumper
33	B-203-1195	Brush
34	B-203-1185	Access Plate
35	B-203-1093	Belt
36	B-203-1249	Hose Assembly
37	B-203-1084	Extension Wand
38	B-203-1063	Crevice Tool
39	B-203-1099	Dust Brush Combo Tool
40	B-203-7173	Turbobrush
		20Q9 = Black
XX	2031003	Screw - Handle/Hose Cuff
XX	1104037	User's Guide