

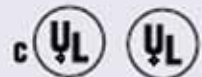


# PROFESSIONAL 30" DROP-IN COOKTOP

## PARTS LIST



MODEL:  
CTD-304  
PRODUCT CODE:  
70694



## PRODUCT

<b>Brand</b>	DCS
<b>Voltage</b>	110V 60Hz
<b>Model</b>	CTD-304
<b>Product Code</b>	70694

**Fisher & Paykel Appliances**  
5900 Skylab Road, Huntington Beach,  
CA 92647  
Customer Care: (888) 281-5698  
Fax: (714) 372-7003  
[www.dcsappliances.com](http://www.dcsappliances.com)  
[support@dcsappliances.com](mailto:support@dcsappliances.com)

# CONTENTS

COOKTOP COMPONENTS..... 6  
 STRUCTURE COMPONENTS ..... 8  
 ELECTRICAL COMPONENTS ..... 10  
 WIRING DIAGRAM ..... 14  
 WIRING SCHEMATIC..... 15

**GUIDE TO USING THIS MANUAL**

The model covered by this manual is listed on the front cover.

The information detailed in this manual is subject to change without notice. The latest version is indicated by the reprint date and replaces any earlier editions.

The front cover picture shows the type of product and may not necessarily be an exact image of the model covered by the manual.

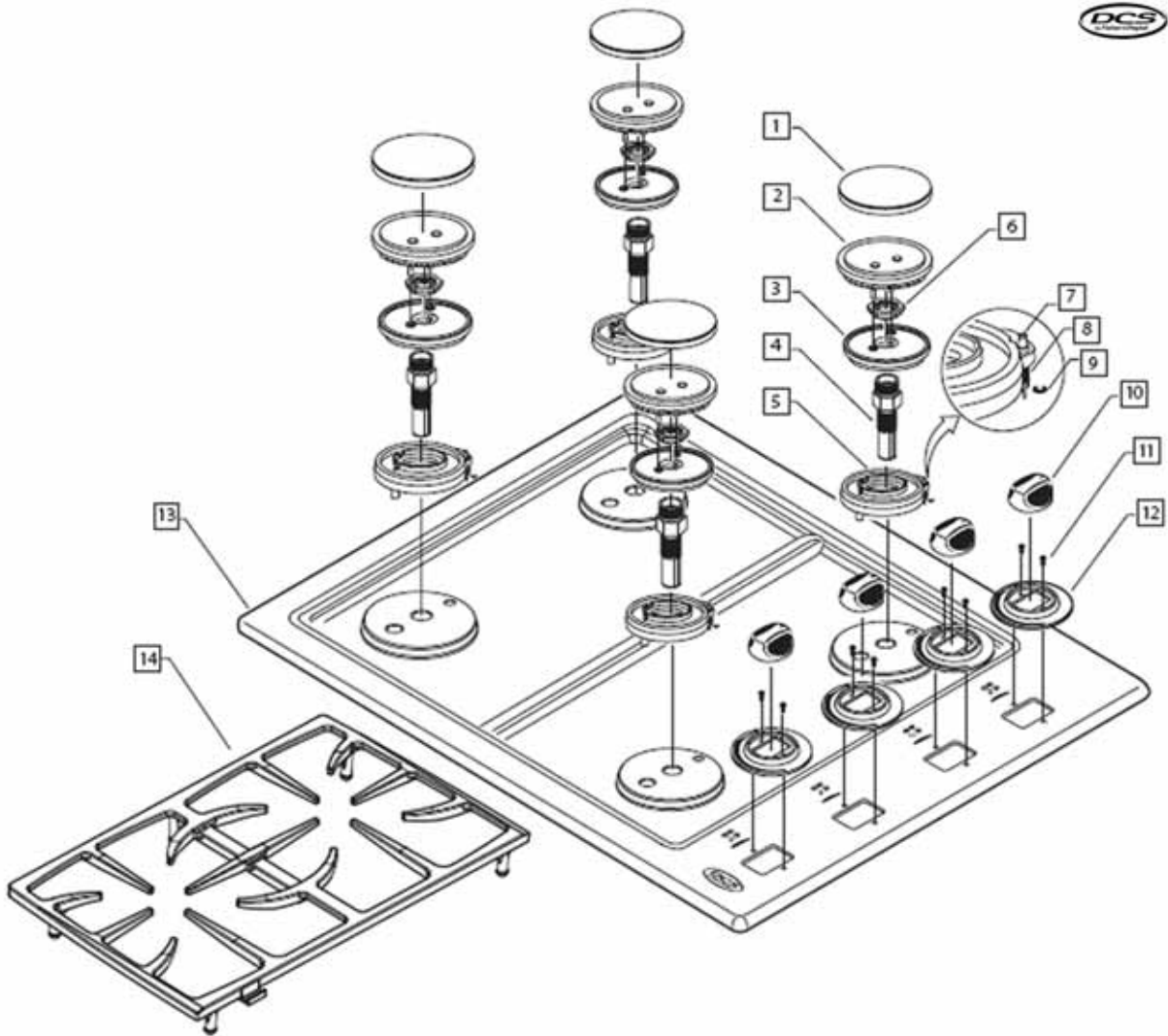
**Kit Parts**

The components shown in *italics with a part number* are those parts in the kit which are available also as separate items. In addition, some parts may be supplied with this kit which are not available as separate items and are therefore either not listed or a part number is not shown against the part description in this manual.

**Parts List Key**

NOT USED	As a part, indicates the diagram part reference is not used in this manual.
<i>italics</i>	Kit components or parts included are shown in <i>italics</i> . Refer to above notes: Kit Parts.
NI	As a part reference, indicates the part is not illustrated on the diagram.

# COOKTOP COMPONENTS

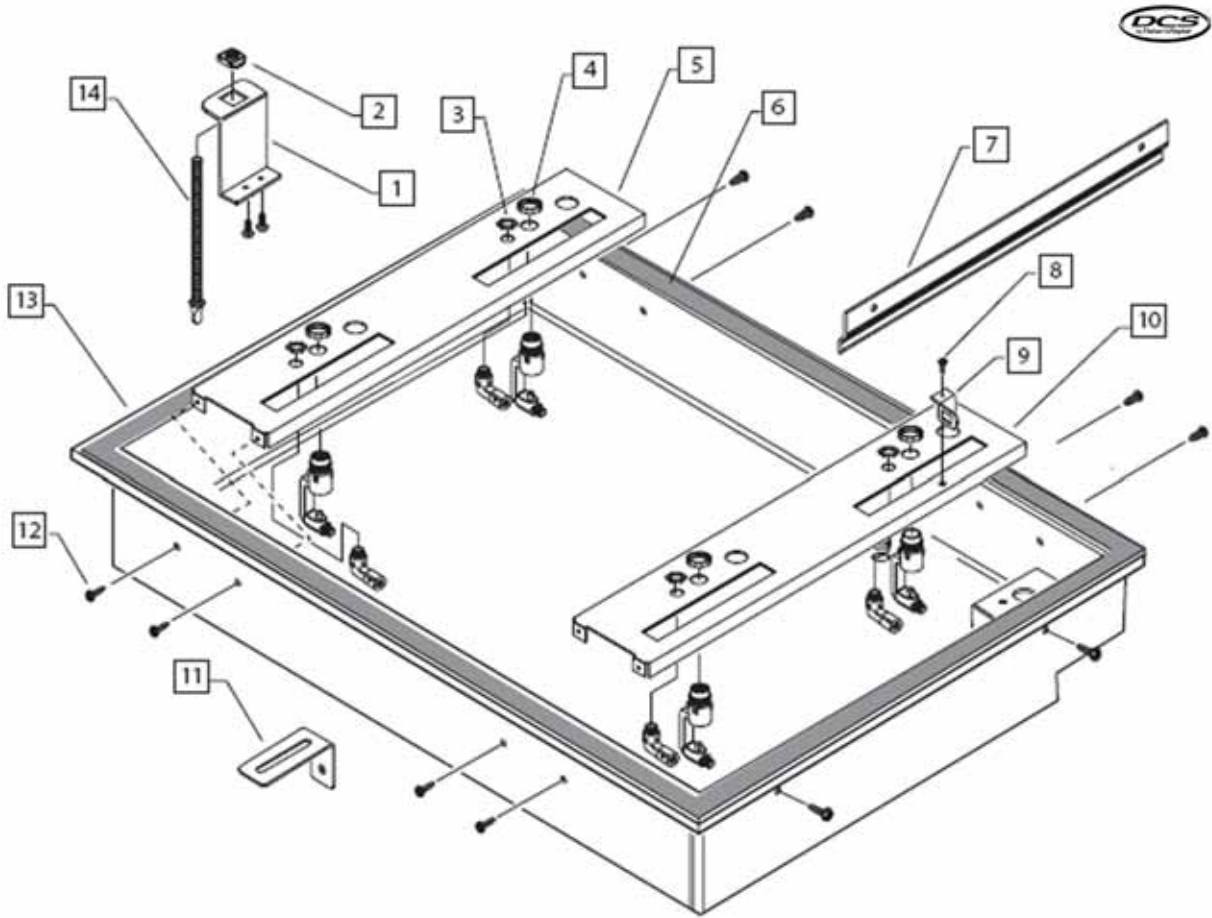


DWG000772 13 NOVEMBER 2006

## COOKTOP COMPONENTS

REF	PART	DESCRIPTION
1	210608	D Burner Cap
	210609	C Burner Cap
2	237631	D Ring Port
	237629	C Ring Port
3	210636	D Ring Simmer
	210635	C Ring Simmer
4	210913	Venturi
5	210651	D Burner Base Assembly
	220498	C Burner Base Assembly
6	211526	Venturi Nut (brass)
7	210562	Igniter
8	210577	Spring
9	210578	"C" Clip
10	211164	Knob (4)
11	211248	Screw (8)
12	211141	Bezel (4)
13	232340	Cooktop Assembly Stainless Steel
14	220492	Grate (2)

# STRUCTURE COMPONENTS

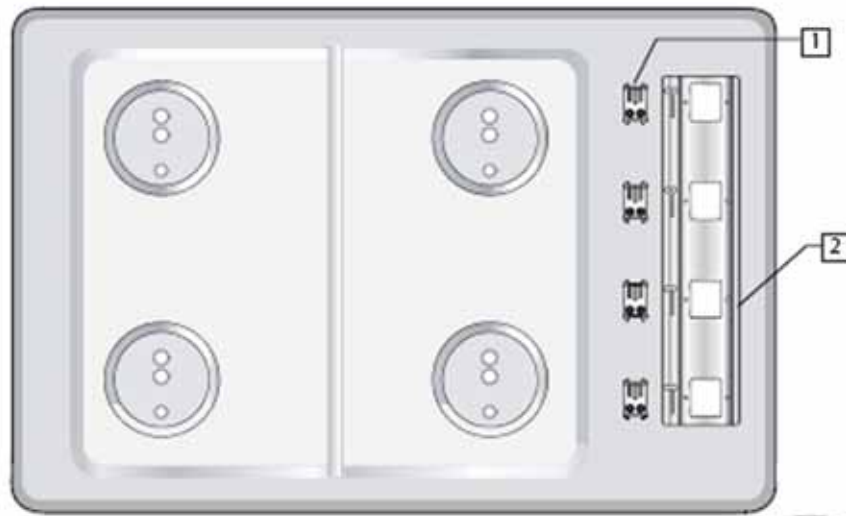


DWG000773 13 NOVEMBER 2006

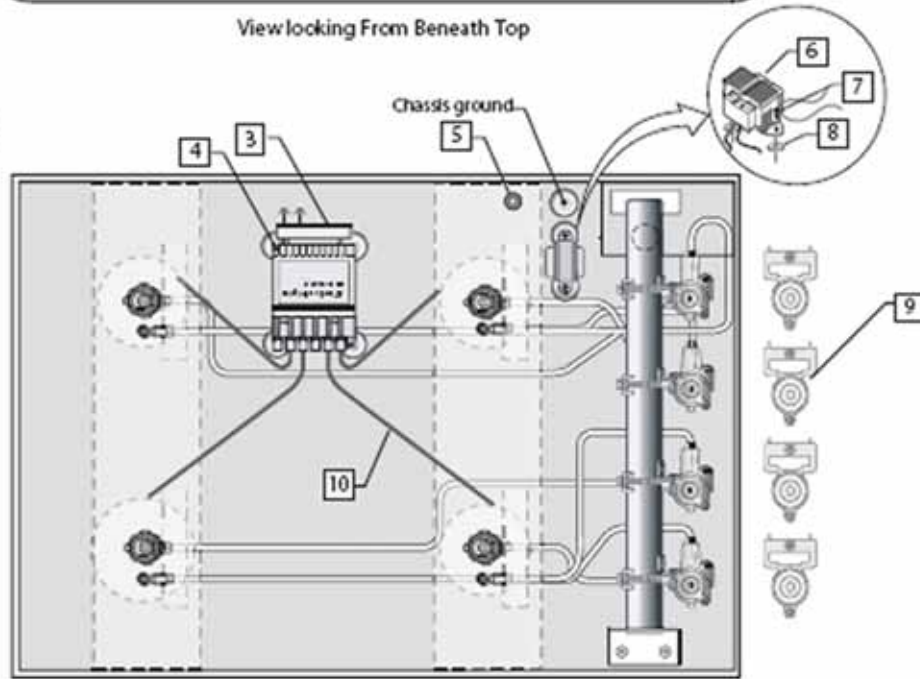
## STRUCTURE COMPONENTS

REF	PART	DESCRIPTION
1	216594	Bracket Hold Down Kit (2)
2	211408	Nut (with retainer) (2)
3	211502	Nut Simmer Brass (4)
4	210468	Nut M22 Jet Holder
5	232457	Burner Hanger (left)
6	211063	Tape Foam
7	232455	Light Bracket Retainer
8	211241	Screw Bracket
9	231750	Bracket Connector
10	232447	Burner Hanger (Right)
11	216806	Bracket Mount (Optional)
12	211222	Screw Jet Burner Supports (8)
13	232456	Box Lower W/A
14	211464	Thumb Screw (2)

# ELECTRICAL COMPONENTS



View looking From Beneath Top



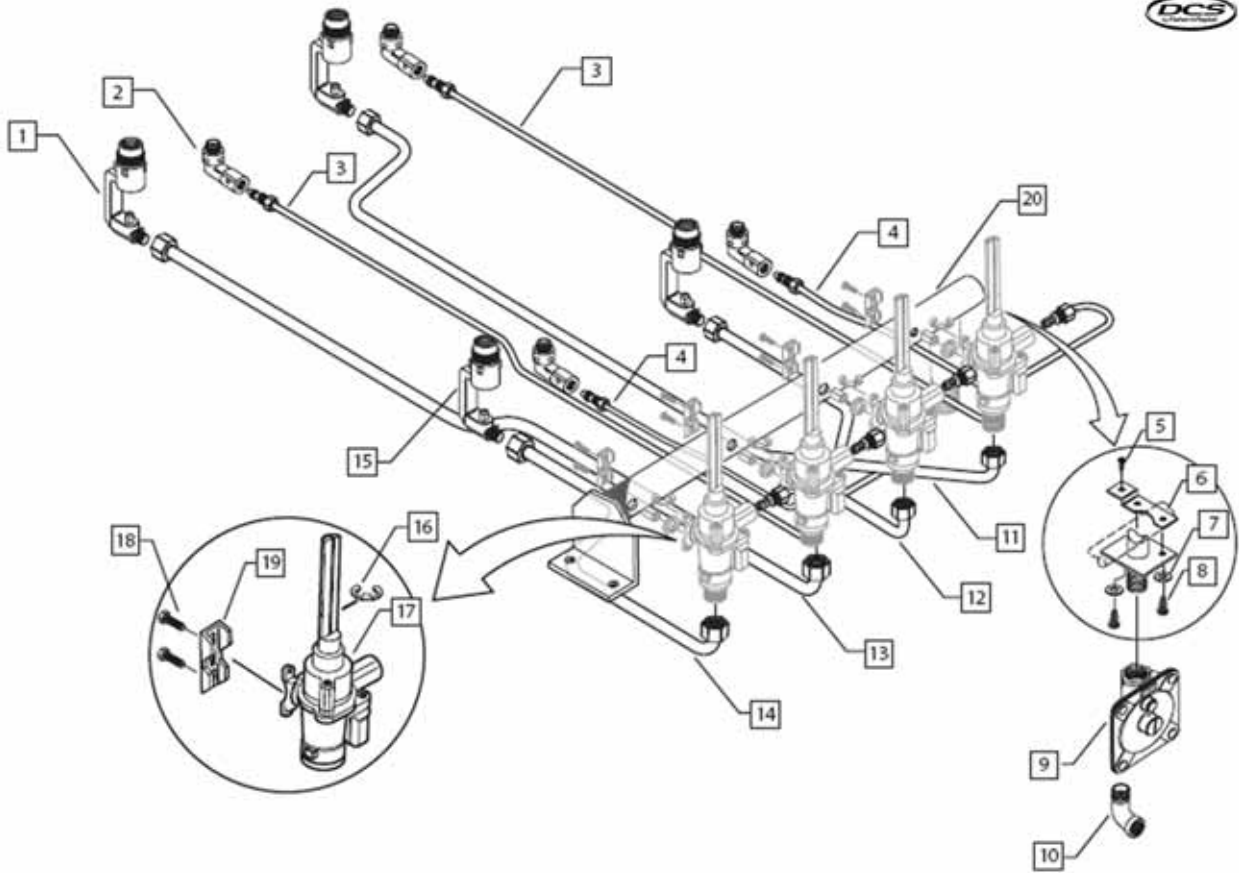
View From Above Firebox



## ELECTRICAL COMPONENTS

REF	PART	DESCRIPTION
1	211811	Light Clip-On
2	232454	Bracket Light
3	211812	Re-ignition Module (4 Point)
4	220775	Screw
5	211132	Bushing Strain Relief
6	238382	Transformer 240V 30ma
7	211241	Screw
8	211517	Washer Felt
9	211754	Switch (4)
10	221160	Ignition Wire Kit
11	211539	Power Cord Right Angle
NI	221161	Wire Harness Top
NI	221159	Wire Harness Manifold

# GAS TRAIN COMPONENTS



DWG000775 13 NOVEMBER 2006

## GAS TRAIN COMPONENTS

REF	PART	DESCRIPTION
1	210530	Jet Holder Main D NAT
	210534	Jet Holder Main D LP
2	210588	Jet Holder Simmer NAT (4)
	210591	Jet Holder Simmer LP (4)
3	216984	Tube Simmer Left (2)
4	216982	Tube Simmer Right (2)
5	211241	Screw Ground
6	231722	Plate Nut
7	211371	Washer
8	211241	Screw
9	210886	Regulator Nat/LP
10	212165	90° Elbow
11	216983	Tube Main Left / Rear
12	216985	Tube Main Right / Rear
13	216981	Tube Main Front / Left
14	216717	Tube Main Right / Front
15	210533	Jet Holder Main C NAT
	210540	Jet Holder Main C LP
16	210508	"C" Clip
17	210903	Valve Dual Flow NAT
	210904	Valve Dual Flow LP
	210906	Valve Dual Flow LF Only NAT
18	211342	Bolt Hex Head (8)
19	210506	Clamp Valve (4)
20	221957	Manifold



# WIRING SCHEMATIC

