



PROFESSIONAL 36" DROP-IN COOKTOP

PARTS LIST



MODEL:
CTD-365
PRODUCT CODE:
70692



PRODUCT

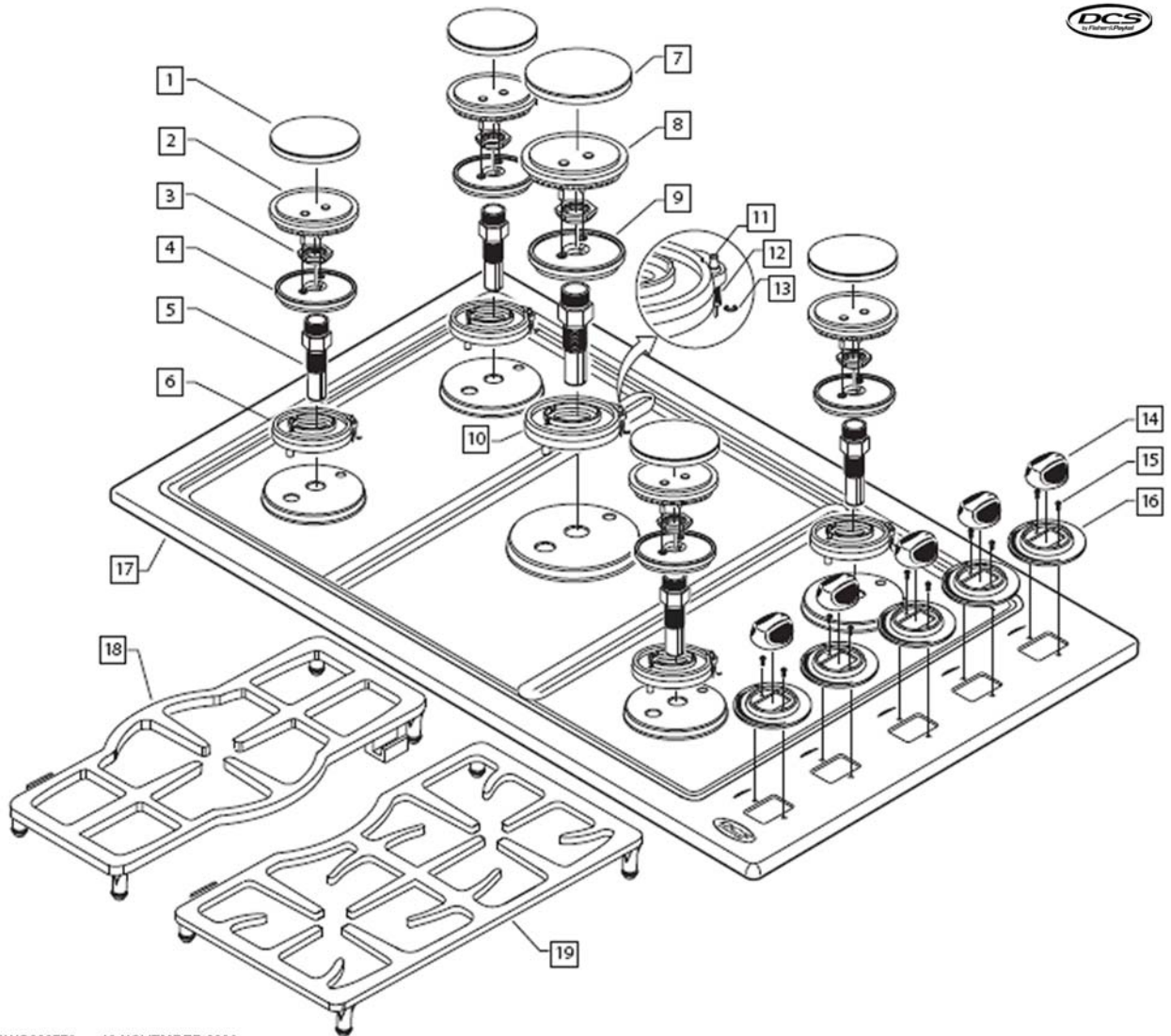
Brand	DCS
Voltage	110V 60Hz
Model	CTD-365
Product Code	70692

Fisher & Paykel Appliances
5900 Skylab Road, Huntington
Beach, CA 92647
Customer Care: (888) 281-5698
Fax: (714) 372-7003
www.dscappliances.com
support@dscappliances.com

CONTENTS

COOKTOP COMPONENTS6
STRUCTURE COMPONENTS.....8
ELECTRICAL COMPONENTS.....10
GAS TRAIN COMPONENTS12
WIRING DIAGRAM.....14
WIRING SCHEMATIC15

COOKTOP COMPONENTS

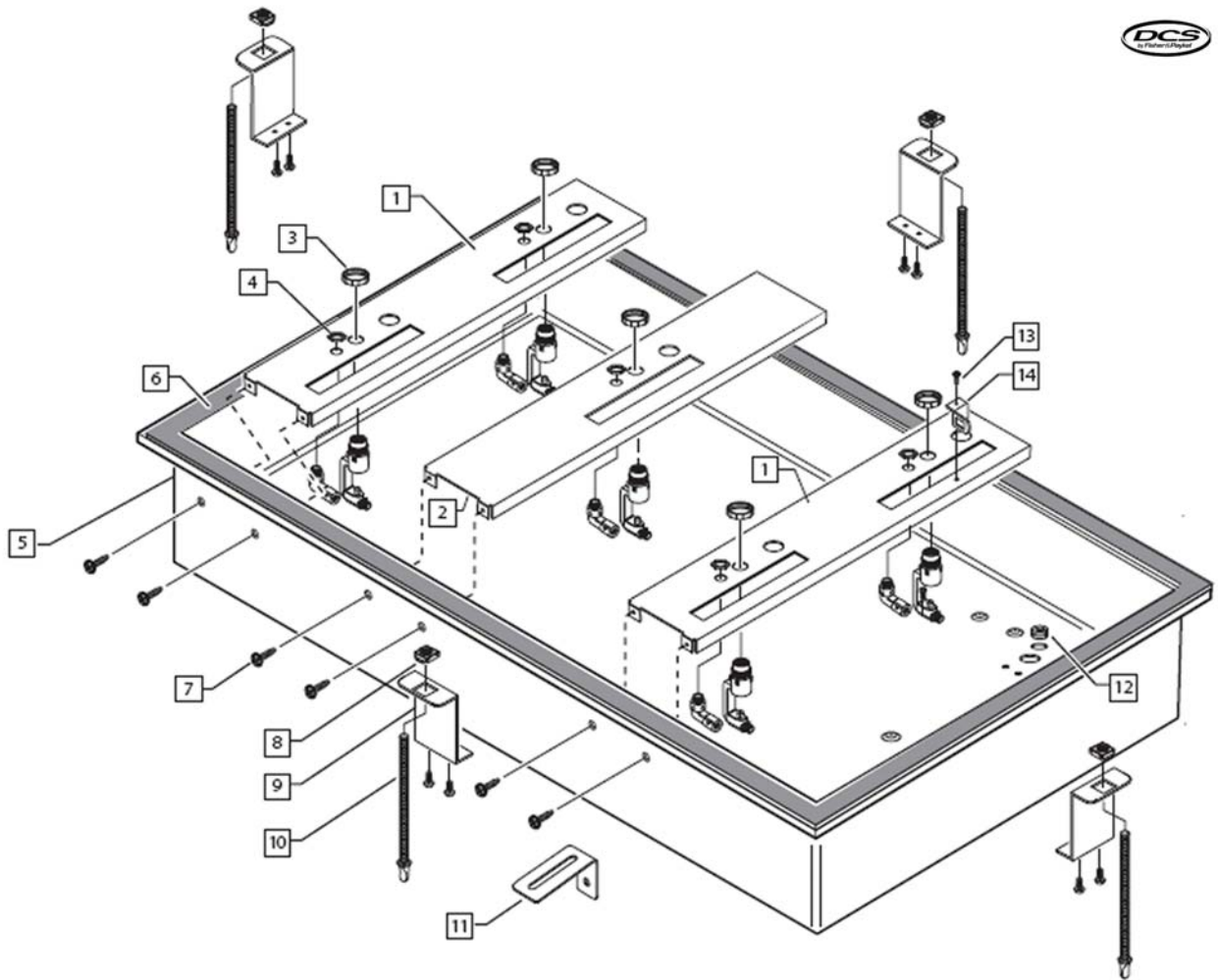


DWG000776 13 NOVEMBER 2006

COOKTOP COMPONENTS

REF	PART	DESCRIPTION
1	210609	C BURNER CAP
2	237629	RING, C-PORT ASSY
3	211526	NUT W/CHAMFER
4	210635	C SIMMER RING
5	210913	VENTURI W/CHAMFER
6	220498	C-BASE ASSY CENTERING
7	210608	D BURNER CAP
8	237631	RING, D-PORT ASSY
9	210636	D SIMMER RING
10	210651	D BURNER BASE ASM
11	210562	ELECTRODE
12	210577	SPRING ELECTRODE
13	210578	CLIP ELECTRODE
14	211164	KNOB
15	211248	SMS 6-32X 3/8 PH PN TY F SS
16	211141	BEZEL SIMMER
17	216731	TOP ASSY STAINLESS STEEL
18	237441	GRATE, CT-365, CENTER
19	237440	GRATE, CT-365, SIDE

STRUCTURE COMPONENTS

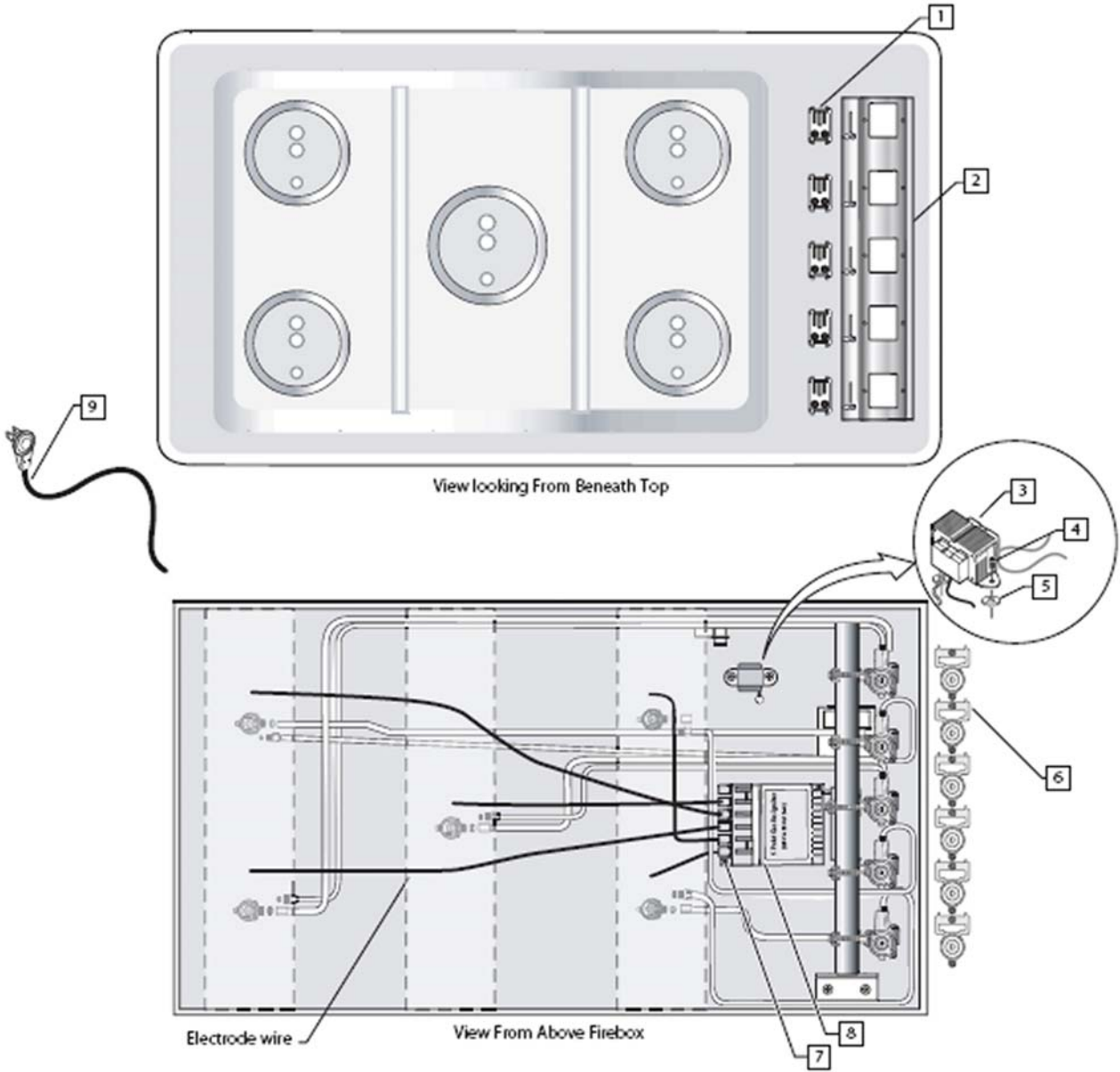


DWG000777 13 NOVEMBER 2006

STRUCTURE COMPONENTS

REF	PART	DESCRIPTION
1	232447	HANGER LEFT/RIGHT BURNERS
2	232446	HANGER CENTER BURNER
3	210468	NUT M22 JET HOLDER
4	211502	NUT SIMMER JET HOLDER
5	232453	BOX LOWER
6	211063	TAPE FOAM
7	211222	SM 6 X 3/8 PH PN HD TY AB ZI
8	211408	NUT W/RET 1/4-20 BLK
9	216594	BRACKET HOLD DOWN
10	211464	THUMB SCREW 1/4-20 x 3 ZINC
11	216806	BRACKET HOLD DOWN
12	211132	BUSHING STRAIN RELIEF
13	211241	SMS 10-24X 1/2 PH TR TY 23 ZI
14	231750	BRACKET CONNECTOR

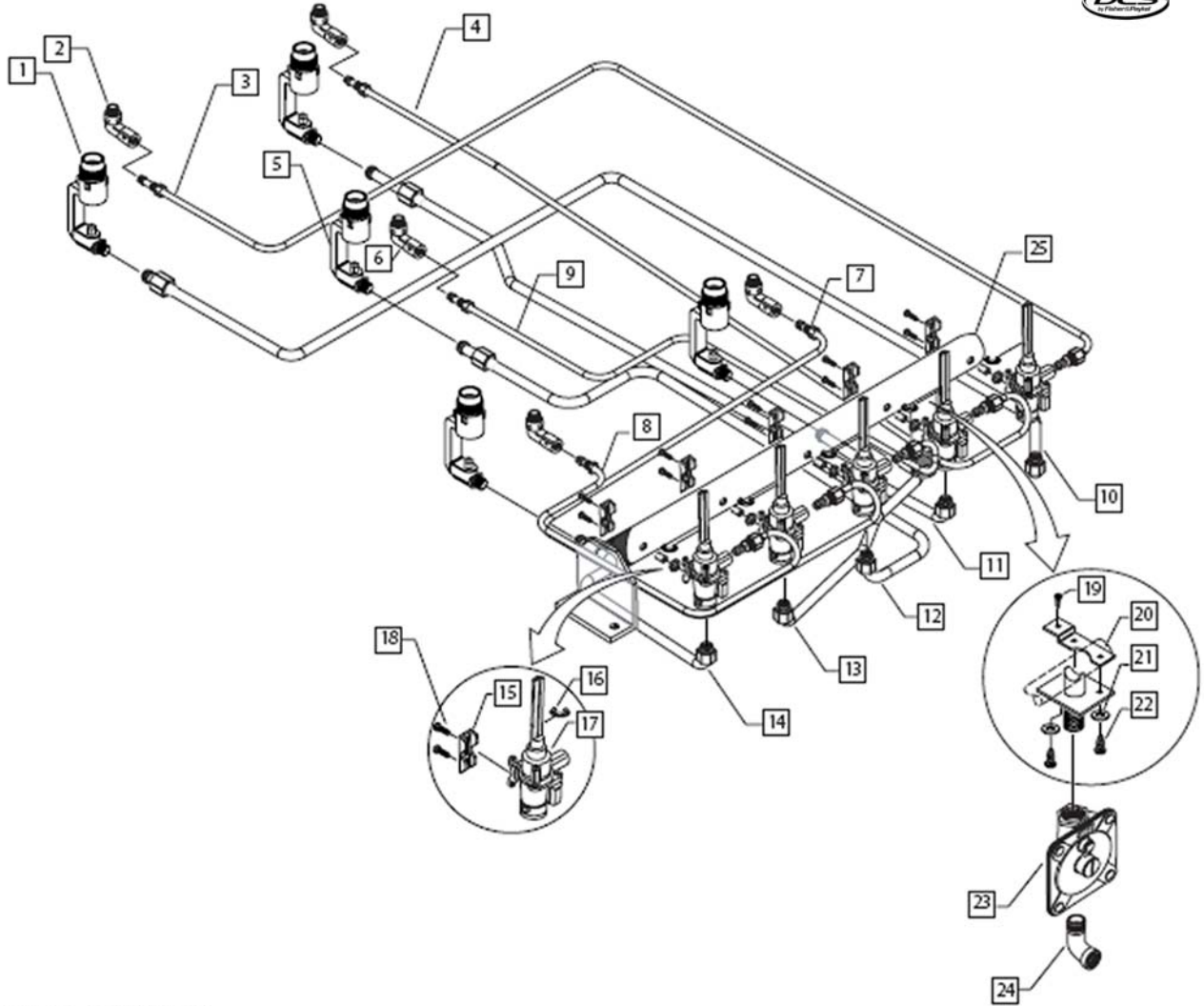
ELECTRICAL COMPONENTS



ELECTRICAL COMPONENTS

REF	PART	DESCRIPTION
1	211811	LIGHT, CLIP ON
2	232460	LIGHT BRACKET CT-365
3	238382	TRANSFORMER, 120/230V, 30ma
4	211241	SMS 10-24X 1/2 PH TR TY 23 ZI
5	211517	WASHER FELT 1/2 OD-1/8 ID-.06
6	211754	SWITCH GH-400-002-B2 VALVE
7	220775	SMS 6-32 X 3/4 PH PN TY F SS
8	211840	RE-IGNITER (5 CIRCUIT)
9	211539	CORD POWER RIGHT ANGLE
NI	211809	MAIN WIRE HARNESS
NI	211808	WIRE HARNESS TOP

GAS TRAIN COMPONENTS

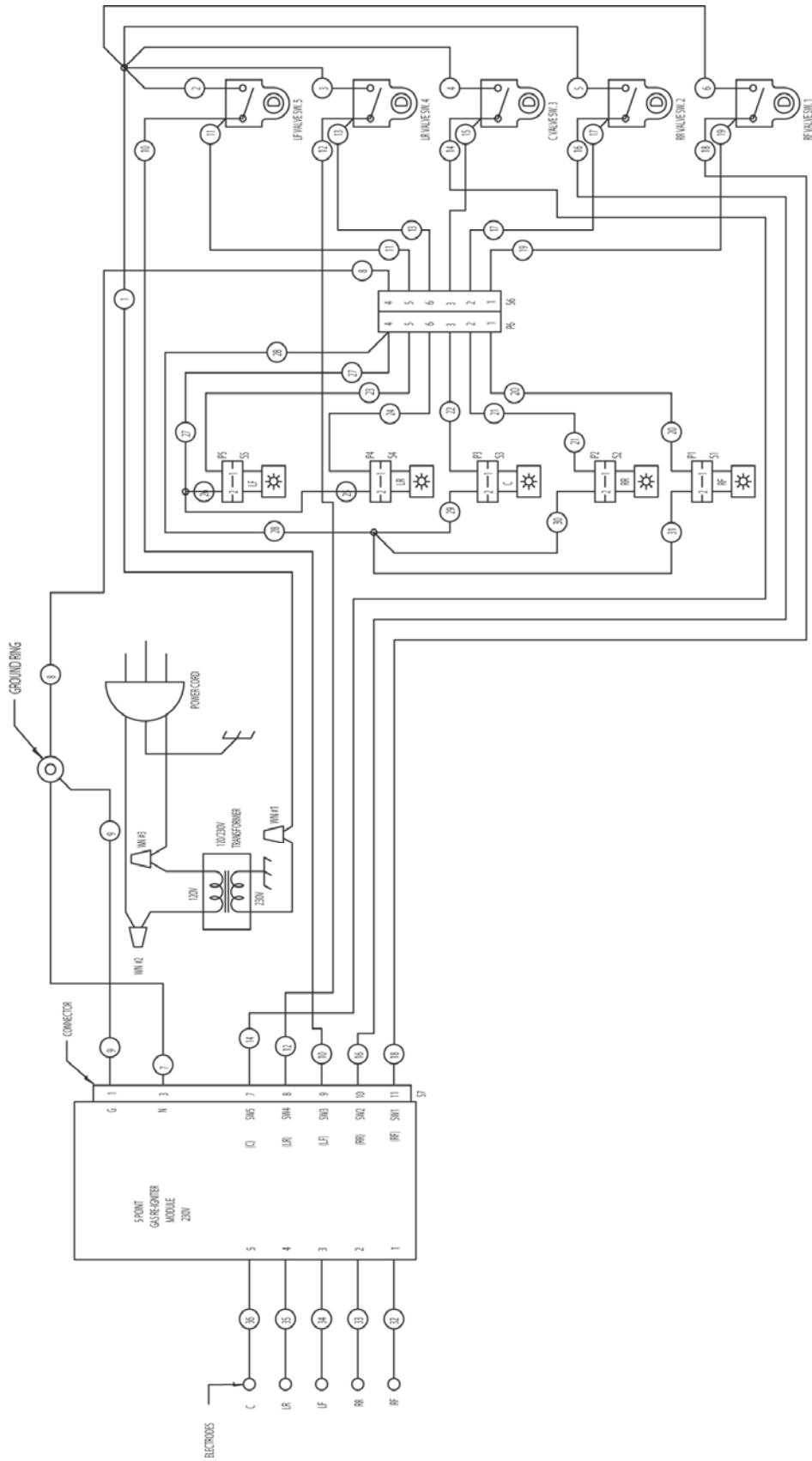


DWG000779 13 NOVEMBER 2006

GAS TRAIN COMPONENTS

REF	PART	DESCRIPTION
1	210535	JET HOLDERS C 12K
	210540	JET HOLDER MAIN C 10K LP
2	210591	JET HOLDER SIMMER C LP
	210588	JET HOLDER SIMMER NAT
3	216710	TUBE SIMMER LEFT FRONT
4	231677	TUBE SIMMER LEFT REAR
5	210536	JET HOLDERS D 17K
	210534	JET HOLDERS D 15K
6	210589	JET HOLDER SIMMER D LP
7	216713	TUBE SIMMER RIGHT FRONT
8	216713	TUBE SIMMER RIGHT FRONT
9	216711	TUBE SIMMER CENTER
10	216714	TUBE MAIN LEFT FRONT
11	231678	TUBE MAIN LEFT REAR
12	216715	TUBE MAIN CENTER
13	216716	TUBE MAIN RIGHT REAR
14	216717	TUBE MAIN RIGHT FRONT
15	210506	CLAMP VALVE
16	210508	C-CLIP VALVE STEM
17	210903	VALVE DUAL FLW 6 OC #70SIM
	210906	VALVE DUAL FLW 6 OC #74SIM NAT
	210904	VALVE DUAL FLOW 6 OC #77SIM
18	211342	HEX HD BOLT 10-32 X 1 FULL ZN
19	211241	SMS 10-24X 1/2 PH TR TY 23 ZI
20	231722	PLATE NUT
21	211371	WASHER FLT SS #10 3/4
22	211241	SMS 10-24X 1/2 PH TR TY 23 ZI
23	210886	REGULATOR COOKTOP
24	212165	1/2 - 90 STREET ELBOW
25	212323	MANIFOLD CT 365

WIRING DIAGRAM



WIRING SCHEMATIC

