

This Owner's Manual is provided and hosted by [Appliance Factory Parts](#).



FISHER & PAYKEL CTD-365 Owner's Manual

[Shop genuine replacement parts for FISHER & PAYKEL
CTD-365](#)



[Find Your FISHER & PAYKEL Gas Range Parts - Select From 10 Models](#)

----- Manual continues below -----



PROFESSIONAL DROP-IN COOKTOPS

- 36" – 5 BURNER COOKTOP
- 30" – 4 BURNER COOKTOP

Installation Manual



MODELS:
CTD-365
CTD-304



A MESSAGE TO OUR CUSTOMERS

Thank you for selecting this DCS Professional Drop-In Cooktop. Because of this appliance's unique features we have developed this Installation Manual. It contains valuable information on how to install your new appliance for years of safe and enjoyable cooking.

For your convenience, product questions can be answered by a DCS Customer Care Representative by phone: 1-888-936-7872, or by email: customer.care@fisherpaykel.com.

NOTE: Please write the Model and Serial Numbers on this page for references (located at the bottom of the chassis, right corner).

MODEL NUMBER _____ SERIAL NUMBER _____

NOTE: Inspect the product to verify that there is no shipping damage. If any damage is detected, call the shipper and initiate a damage claim. DCS by Fisher & Paykel is not responsible for shipping damage.

DO NOT discard any packing material (box, pallet, straps) until the unit has been inspected.

WARNING

Improper installation, adjustment alteration, service or maintenance can cause property damage, injury or death. Read the installation, operating and maintenance instructions thoroughly before use, installing or servicing this equipment.

WARNING

Do Not store or use gasoline or any other flammable vapors and liquids in the vicinity of this or any other appliance.

DANGER

If you smell gas:

1. Do not turn on any electrical switch; do not use any phone in your building.
2. Immediately call your gas supplier from a neighbor's phone. Follow the gas supplier's instructions.
3. If you cannot reach your gas supplier, call the fire department. Installation and service must be performed by a qualified installer, service agency or the gas supplier.

PLEASE RETAIN THIS MANUAL FOR FUTURE REFERENCE.

TABLE OF CONTENTS

| | |
|------------------------------------|-------|
| SAFETY PRACTICES AND PRECAUTIONS | 3-5 |
| PROPER VENTILATION REQUIREMENTS | 6 |
| INSTALLATION INSTRUCTIONS | 7-10 |
| Preparing for the Installation | 7 |
| Cabinet Preparation | 8 |
| Gas Hook Up | 9 |
| Power Requirements | 10 |
| Recommended Grounding Method | 10 |
| INSTALLER FINAL CHECKLIST | 11 |
| PRODUCT MEASUREMENT SPECIFICATIONS | 12 |
| WIRING DIAGRAM | 13-14 |
| SERVICE | 15 |
| WARRANTY | 16-17 |

SAFETY PRACTICES & PRECAUTIONS

When properly cared for, your new DCS Appliance has been designed to be a safe, reliable cooking appliance. When using this restaurant caliber appliance, use it with extreme care, as this type appliance provides intense heat and can increase the accident potential. Basic safety precautions must be followed when using kitchen appliances, including the following:

- Read the Use and Care Manual thoroughly before using your new appliance. This will help to reduce the risk of fire, electric shock, or injury to persons.
- Begin by insuring proper installation and servicing. Follow this installation instructions. Be sure to have a qualified technician install and ground this appliance before using.
- Have the installer show you where the gas supply shut-off valve is located so you will know how and where to turn off the gas to the appliance.
- If you smell gas, the installer has not done a proper job of checking for leaks. You can have a small leak and therefore a faint gas smell if the connections are not completely sealed. Finding a gas leak is not a “do-it-yourself” procedure. Some leaks can only be found with the burner control in the ON position and for your protection it must be done by a qualified service technician.
- If by some chance a burner goes out and does not re-ignite and gas escapes, open a window or a door to let the room air out. Do not attempt to use the appliance until the gas has had time to dissipate.
- This appliance has been factory assembled for Natural Gas or Liquid Propane as indicated by model number.
- Do not repair or replace any part of this appliance unless it is specifically recommended in this manual. All other servicing should be referred to a qualified service technician.



WARNING:

Children should not be left alone or unattended in an area where appliances are in use. They should never be allowed to turn knobs, push buttons, sit or stand on any part of an appliance.



WARNING:

Do not store items of interest to children on or around the Drop-In Cooktop.

Children could be seriously injured if they should climb onto or reach across the appliance to reach these items.

- Never store anything on the cooktop. Flammable materials can accidentally catch fire, plastic items may melt or ignite and other types of items could be ruined.
- Do not hang articles from any part of the appliance. Some fabrics are quite flammable and may catch on fire.
- If the appliance is near a window be certain the curtains do not blow over or near the cooktop burners; they could catch on fire.
- Never let clothing, pot holders, or other flammable materials come in contact with, or too close to any burner or burner grate until it has cooled. Fabric may ignite and result in personal injury.

SAFETY PRACTICES & PRECAUTIONS

- Be certain to use only dry pot holders; moist or damp pot holders on hot surfaces may cause burn injury from steam. Do not use a towel or other bulky cloth in place of pot holders. Do not let pot holders touch hot burners, or burner grates.
- For personal safety, wear proper apparel. Loose fitting garments or hanging sleeves should never be worn while using this appliance. Some synthetic fabrics are highly flammable and should not be worn while cooking.
- Do not use aluminum foil to line any part of the cooktop. Using a foil liner could result in a fire hazard.



WARNING:

This appliance is for cooking. Based on safety considerations, never use the cooktop to warm or heat a room.



WARNING:

When using the cooktop: Do not touch the burner grates or the immediate surrounding area. Areas adjacent to the burners may become hot enough to cause burns.

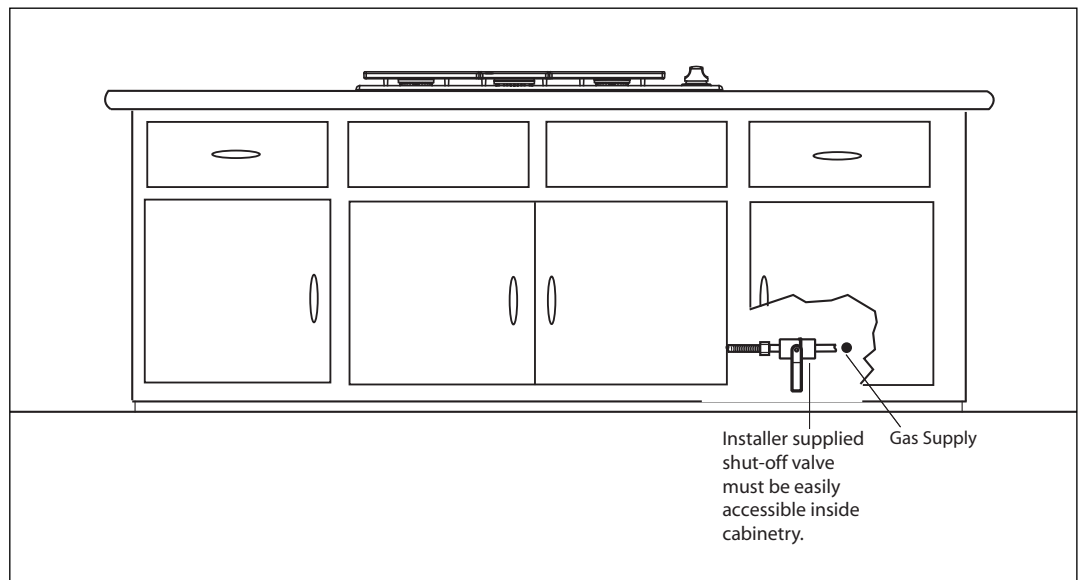
- **Never leave the cooktop unattended when using high flame settings.** A possible boil over could cause smoking or greasy spill overs may ignite. More importantly, if the burner flames are smothered by a severe boil over which effects the igniter, **the unburned gas will escape into the room, which would be extremely dangerous.**
- Only certain types of glass, heat-proof glass-ceramic, ceramic, earthen ware, or other glazed utensils are suitable for use on the open flame of the cooktop. Utensils that are not thermally heat safe may break with sudden temperature changes.
- Do not heat unopened food containers; a build up of pressure may cause the container to burst.
- During cooking, set the burner control so that the flame heats at the bottom of the pan and does not curl around the bottom edges of the pan. This could heat and/or melt the handles.
- Always use utensils that have flat bottoms large enough to cover the burner. The use of undersized utensils will expose a portion of the flame to direct contact and may result in ignition of clothing.
- To minimize burns, ignition of flammable materials and accidental spill overs, position handles of utensils inward so they do not extend over adjacent work areas, cooking areas, or the outside edges of the cooktop.
- Hold the handle of the pan to prevent movement of the utensil when stirring or turning food.
- **Grease is flammable.** Do not use water on grease fires. Turn OFF the burner, then smother the fire with baking soda or use a dry chemical or foam-type fire extinguisher. Let hot grease cool before attempting to handle it. Avoid letting grease deposits collect around the base of the cooktop burners. Clean after each use or boil over.
- Use splatter screens over pans when frying foods to minimize possible grease burns. Be sure not to use a flame that is too high.
- For proper lighting and performance of the cooktop burners, keep the burner ports clean. It may be necessary to clean these when there is a boil over or when the burner does not light, even though the electronic igniters click.
- Clean the cooktop with caution. Avoid steam burns; do not use a wet sponge or cloth to clean the cooktop while it is hot. Some cleaners produce noxious fumes if applied to a hot surface. Follow directions provided by the cleaner manufacturer.

SAFETY PRACTICES & PRECAUTIONS

- Be sure all the cooktop controls are turned off and the appliance is cool before using any type of aerosol cleaner on or around the appliance. The chemical that produces the spraying action could, in the presence of heat, ignite or cause metal parts to corrode.
- Clean the ventilator hood and filters above the cooktop frequently so grease from cooking vapor does not accumulate.
- Turn the ventilator OFF in case of fire. The blower, if in operation, could unsafely spread the flames.
- Do not obstruct the flow of combustion or ventilation air to the appliance. Be sure a fresh air supply is available.
- For safety reasons and to avoid damage to the appliance never sit, stand, or lean on any part of the appliance.
- Service should only be done by authorized technicians. Service technicians must disconnect the power supply before servicing this appliance.
- California Proposition 65 - Warning: The burning of gas cooking fuel generates some by-products which are known by the State of California to cause cancer or reproductive harm. California law requires businesses to warn customers of potential exposure to such substances. To minimize exposure to these substances, always operate this unit according to the instructions contained in this booklet and provide good ventilation to the room when cooking with gas.

NOTE:

This product must be installed by a licensed plumber or gas fitter when installed within the Commonwealth of Massachusetts.



PROPER VENTILATION REQUIREMENTS

IMPORTANT INFORMATION:

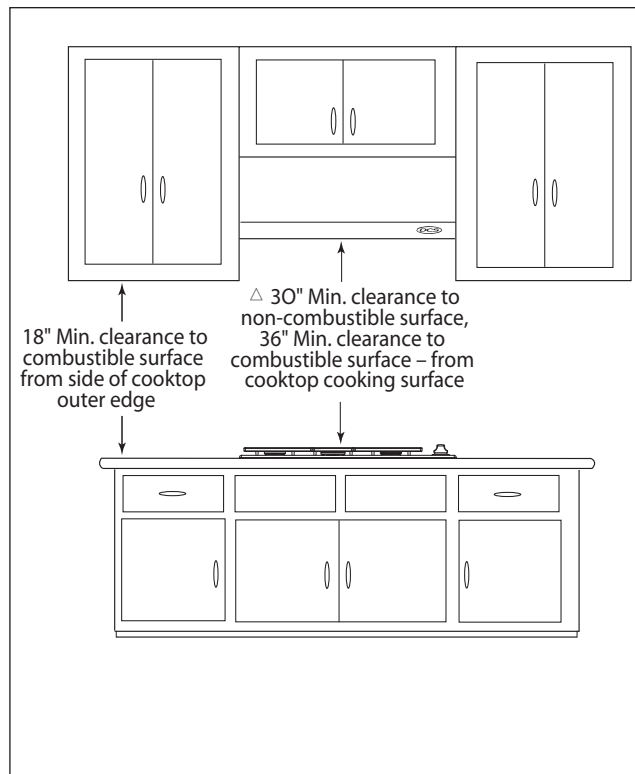
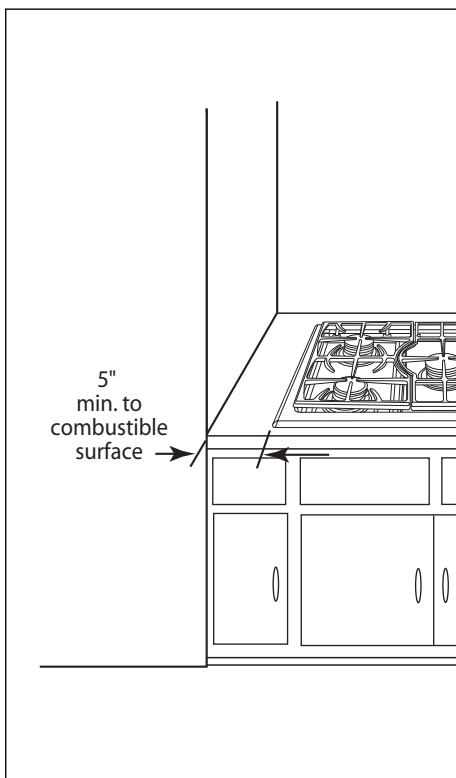
CAUTION!

Ventilation hoods and blowers are designed for use with single wall ducting. However, some local building codes or inspectors may require double wall ducting. Consult local building codes and/or local agencies before starting, to ensure that hood and duct installation will meet local requirements. Hood blower speeds should be variable to reduce noise and loss of heated or air conditioned household air when maximum ventilation is not required. For best smoke elimination, the lower edge of the hood should BE INSTALLED A MINIMUM OF 30" TO A MAXIMUM OF 36" ABOVE THE COOKING SURFACE. If the hood contains any combustible materials (i.e. a wood covering) it must be a minimum of 36" above the cooking surface. Due to a high volume of ventilation air, a source of outside replacement air is recommended. This is particularly important for tightly sealed and insulated homes. A reputable heating and ventilating contractor should be consulted.

VENTILATION REQUIREMENTS: STANDARD COUNTER INSTALLATION RECOMMENDATIONS

HOOD: (24" Deep x Unit Width)

BLOWER: 30"/36" COOKTOPS
600 CFM min.



△ AS DEFINED IN THE "NATIONAL FUEL GAS CODE" (ANSI Z223.1, LATEST EDITION). THE HORIZONTAL SURFACES OF THE RANGE TOP (COOKTOP) TRIM MUST NOT BE BELOW COUNTERTOP LEVEL.

NOTE: SEE MANUFACTURE'S RECOMMENDATIONS FOR DUCTING SPECIFICATIONS.

INSTALLATION INSTRUCTIONS

PREPARING FOR THE INSTALLATION:

Be sure to read page 6 for the proper ventilation requirements before you begin.

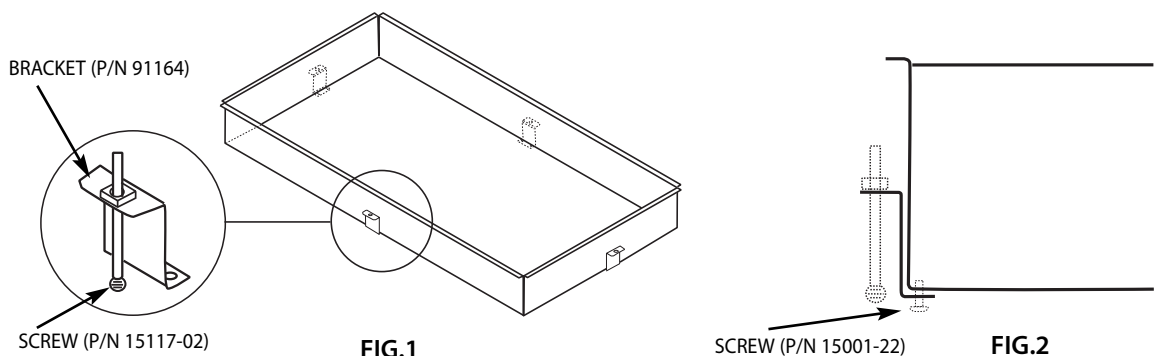
When making your CUTOUT refer to page 8-9 for cabinet preparation.

- Step 1: Unpack the unit, the regulator, and remove all packing between all the burners, rings, and caps. Remove the grates from their boxes.
- Step 2: With the necessary tools and hardware ready, measure the distance from the back and sides of the countertop and cabinet to locate the position of the cooktop Cutout.
- Step 3: Make your Cutout according to the dimensions given on page 8 & 9. Square the cutout to the countertop.
- Step 4: Lower the cooktop into the countertop cutout, being careful not to damage the counter, inlet pipe threads, or the power cord of the cooktop.
- Step 5: Square the cooktop to the cutout and install the (4) retaining brackets onto the 8 holes for CTD-365 and (2) retaining brackets onto 4 holes for CTD-304 located at the bottom of the unit (See Figure 1 below). If hold down brackets are not installed, the cooktop will not pull down to countertop.
- Step 6: Tighten the 4 preloaded thumb screws which will keep the unit secured. Do Not Over-tighten (See Figure 2 detail below).

NOTE:

Some installations may not have adequate clearance at the front for the 'Z'-shaped retaining bracket. In those cases, use the 'L'-bracket provided. Fasten the bracket to the bottom of the cooktop chassis using one of the screw holes provided for the retaining brackets. Make sure the bracket extends out far enough to contact the inside of the cabinet face. While pushing down on the front edge of the cooktop from above, attach the bracket to the cabinet. This step will insure that the edge of the cooktop is flush with the counter surface. Plug the adjacent unused hole in the cooktop chassis with a screw. See Figure 3, page 8.

- Step 7: Install the regulator with the arrow in the direction of the gas flow (towards the cooktop) using a sealant on the male pipe threads. Put burner rings and burner caps in place.
- Step 8: Connect the gas line to the unit. Refer to page 9 for gas supply hookup.
- Step 9: Turn ball valve to let the gas flow. Check for gas leak.
- Step 10: Plug the unit into a wall outlet.
- Step 11: Turn the front burner knob on first and apply a match to the burner until the gas lights, being cautious not to burn your hand or other parts of your body. When the gas is first activated, there is air present in the gas lines. The match applied to the burner makes it easier and safer to clear the air/gas mixture. Use Caution to avoid burn injury.
- Step 12: Put grates in place.



INSTALLATION INSTRUCTIONS

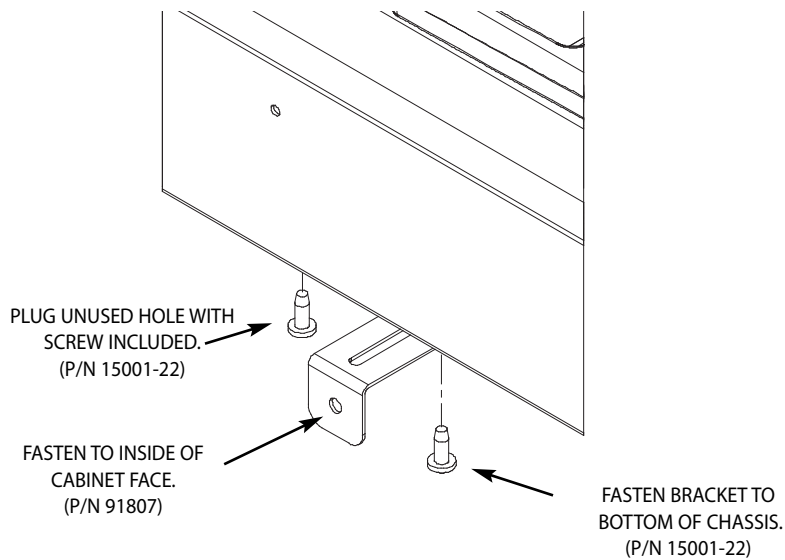


FIG. 3

CABINET PREPARATION

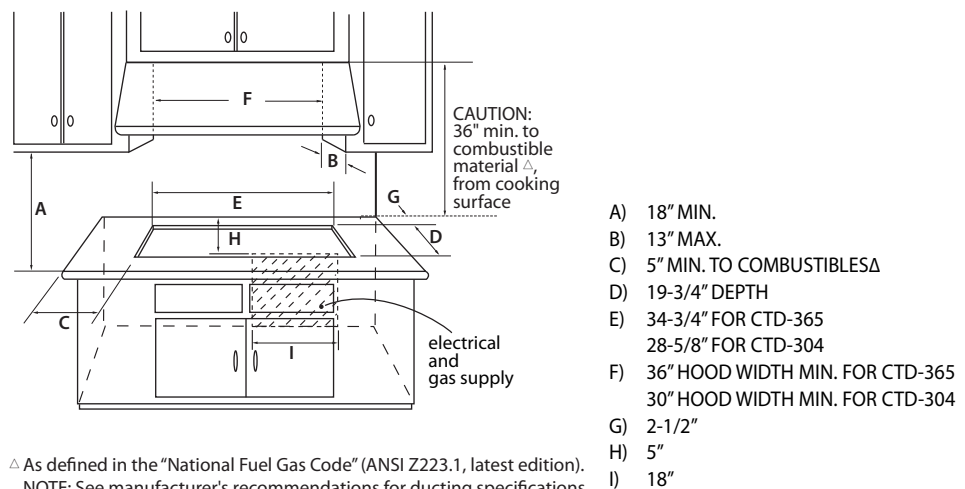
The Drop-In Cooktop was designed for easy installation. However, for the best appearance, to conceal the raw cutout edges and to ensure a snug and secure fit, **the cutouts must be precise**. Use the cutout dimension information in the figures below for your installation. When preparing for installation, it is critical that the cabinet cutout matches the cutout dimensions provided for the cooktop for a good fit. See illustrations below for specifications.

- For proper performance, the Drop-In Cooktop must be level. To achieve a flush fit of the cooktop, it will be necessary to have a flat countertop (front to back and left to right).
- Be sure to check local building codes for the proper method of installation. Local codes may vary. Installation, electrical connections, and grounding must comply with all applicable codes.

NOTE:

The cooktop must be completely removed from cut-out to service. The lower firebox is not supported by the counter.

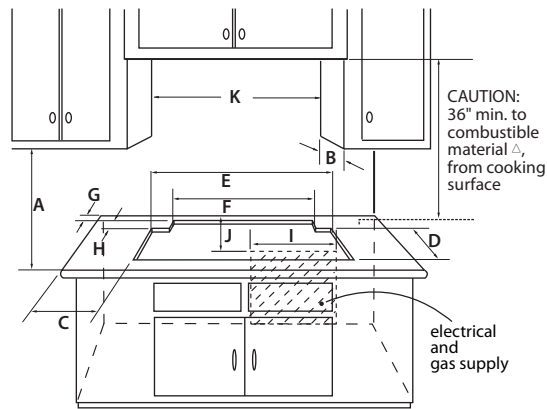
DROP-IN COOKTOP CUT-OUT DIMENSIONS



Δ As defined in the "National Fuel Gas Code" (ANSI Z223.1, latest edition).
NOTE: See manufacturer's recommendations for ducting specifications.

INSTALLATION INSTRUCTIONS

DROP-IN COOKTOP CUT-OUT DIMENSIONS (when installing with a DCS DD-36 or DD-30 Downdraft Ventilation System)



- A) 18" MIN.
- B) 13" MAX.
- C) 5" MIN. TO COMBUSTIBLES Δ
- D) 19-3/4" DEPTH
- E) 34-3/4" WIDTH FOR CTD-365
28-5/8" WIDTH FOR CTD-304
- F) 33-1/2" WIDTH FOR DD36
27-1/2" WIDTH FOR DD30
- G) 1/2" MIN.
- H) 2-5/8"
- I) 9"
- J) 26-1/2"
- K) MIN. 36" FOR CTD-365
MIN. 30" FOR CTD-304

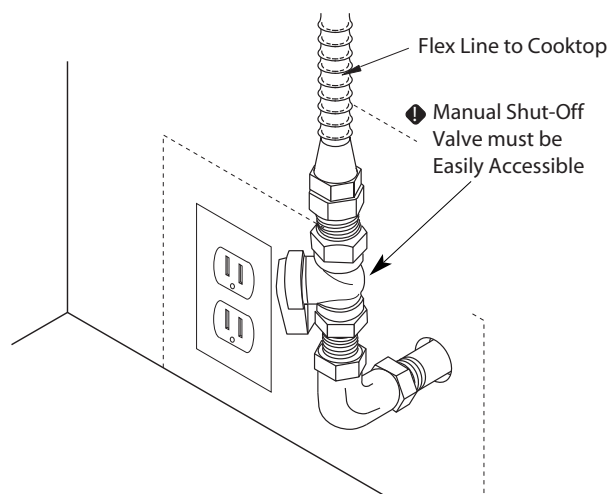
Δ As defined in the "National Fuel Gas Code" (ANSI Z223.1, latest edition).
The horizontal surfaces of the range top (cooktop) trim must not be below countertop level.
NOTE: See manufacturer's recommendations for ducting specifications.
NOTE: When installing a 30" Cooktop with a Downdraft (DD-305S), a minimum of a 26" cabinetry depth is required.

GAS HOOK UP:

Supply: Pressure Inches W.C.: 11.0~14.0"-LPG/6.0~9.0"-Natural Gas

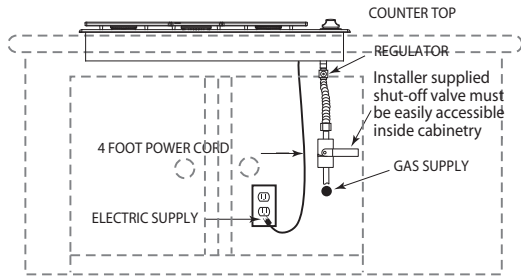
Verify the type of gas supplied to the location. The cooktop is shipped from the factory set for Natural Gas or LP (propane), depending on the specific model ordered. **Verify that the cooktop is compatible with the gas at the installation site before proceeding further.** Return cooktop to dealer if the unit is not set for site gas supply. A manual valve must be installed external to the appliance, in an accessible location from the front for the purpose of shutting off the gas supply. Make sure the gas supply is turned off at the wall valve before connecting the appliance. The gas supply connections should be made by a qualified technician and in accordance with local codes or ordinances.

Locate Gas Supply and Electrical Supply, referring to the illustrations below.

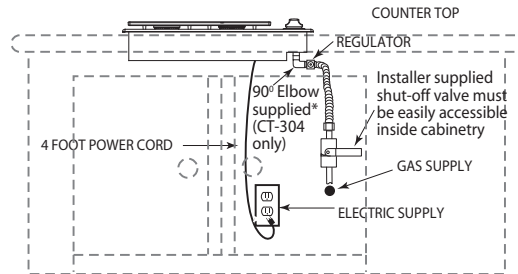


INSTALLATION INSTRUCTIONS

GAS CONNECTION FOR CTD-365



GAS CONNECTION FOR CTD-304



• Required when unit is installed over Wall Oven

POWER REQUIREMENTS:

120 VAC, 60 Hz., single phase.
CTD-304/CTD-365: 0.10 Amp. Max.
(Use 15 Amp. circuit minimum)

- Always disconnect the electric supply cord from the wall outlet or turn off the electricity at the service disconnect before servicing this appliance.
- Observe all governing codes and ordinances when grounding, in the absence of which, observe National Electrical Code ANSI/NFPA No. 70-1990.

RECOMMENDED GROUNDING METHOD:

This appliance is factory equipped with a power supply cord with a three-prong grounding plug (with polarized parallel blades). It must be plugged into a mating grounding-type receptacle, connected to a correctly polarized 120 Volt circuit. If the circuit does not have a grounding type receptacle, it is the responsibility and obligation of the installer or user to have the existing receptacle changed to a properly grounded and polarized receptacle in accordance with all applicable local codes and ordinances by a qualified electrician. In the absence of local codes and ordinances, the receptacle replacement shall be in accordance with the National Electrical Code. THE THIRD GROUND PRONG SHOULD NOT, UNDER ANY CIRCUMSTANCES, BE CUT OR REMOVED. The electrical supply must be a 120 volt, 60 Hz single phase, 15 AMP circuit. The power receptacle must be a NEMA 5-15R device to accept the three prong plug supplied with the unit.



THIRD GROUND PRONG

INSTALLER FINAL CHECKLIST

GENERAL

- Placement of Unit.
- Specified clearance maintained to cabinet surfaces.
- Unit Level- front to back, side to side.
- All packaging material and tie straps removed.

ELECTRICAL:

- Receptacle with 15 ampere circuit protection is provided for service cord connection.
- Adequate ground connection.

GAS SUPPLY:

- Connection: 1/2 NPT with a minimum 5/8" diameter flex line.
- The pressure regulator which is connected to the manifold is set for 4.0" W.C. for Natural Gas or 10" W.C. for LP.
- Manual gas shut-off valve installed in an accessible location.
- Unit tested and free of gas leaks.

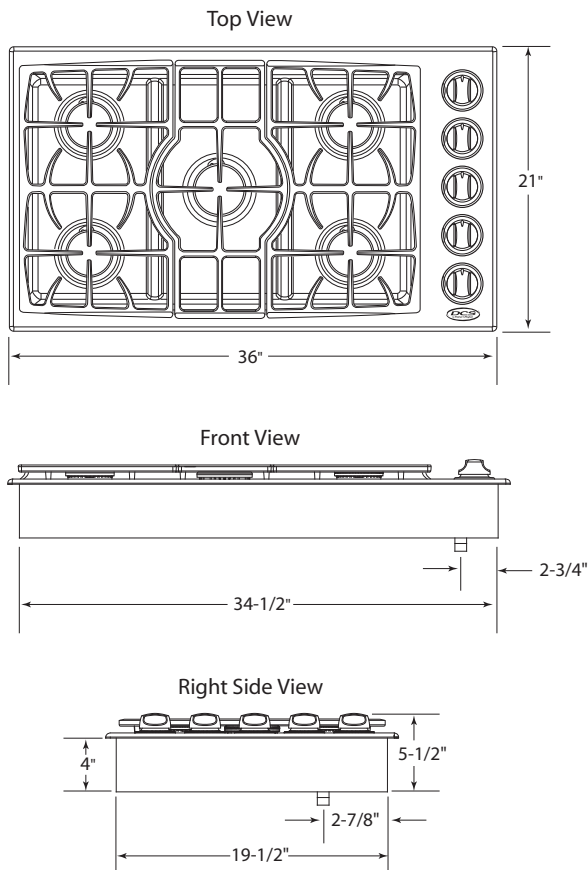
OPERATION:

- All internal packing materials are removed, i.e. below grates, around knobs, etc.
- Bezels centered on burner knobs and knobs turn freely.
- Each burner lights satisfactorily, both individually and with other burners operating.
- Low flame operation verified.
- All burner caps, burner rings and burner bases correctly seated in position, level, and do not rock or slide.
- Burner grates correctly positioned, level, and do not rock.

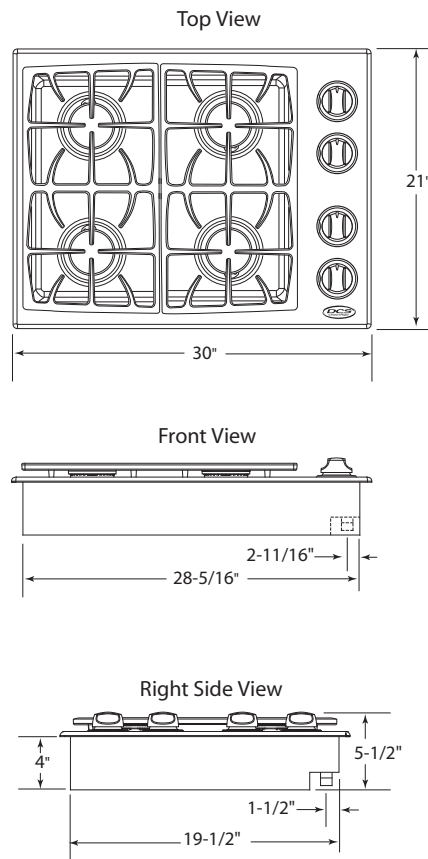
PRODUCT MEASUREMENT SPECIFICATIONS

To be sure that the CUTOUT for the cooktop is correct and to insure a clean installation, REFER TO PAGE 8 FOR CABINET PREPARATION AND CUTOUT SPECIFICATIONS.

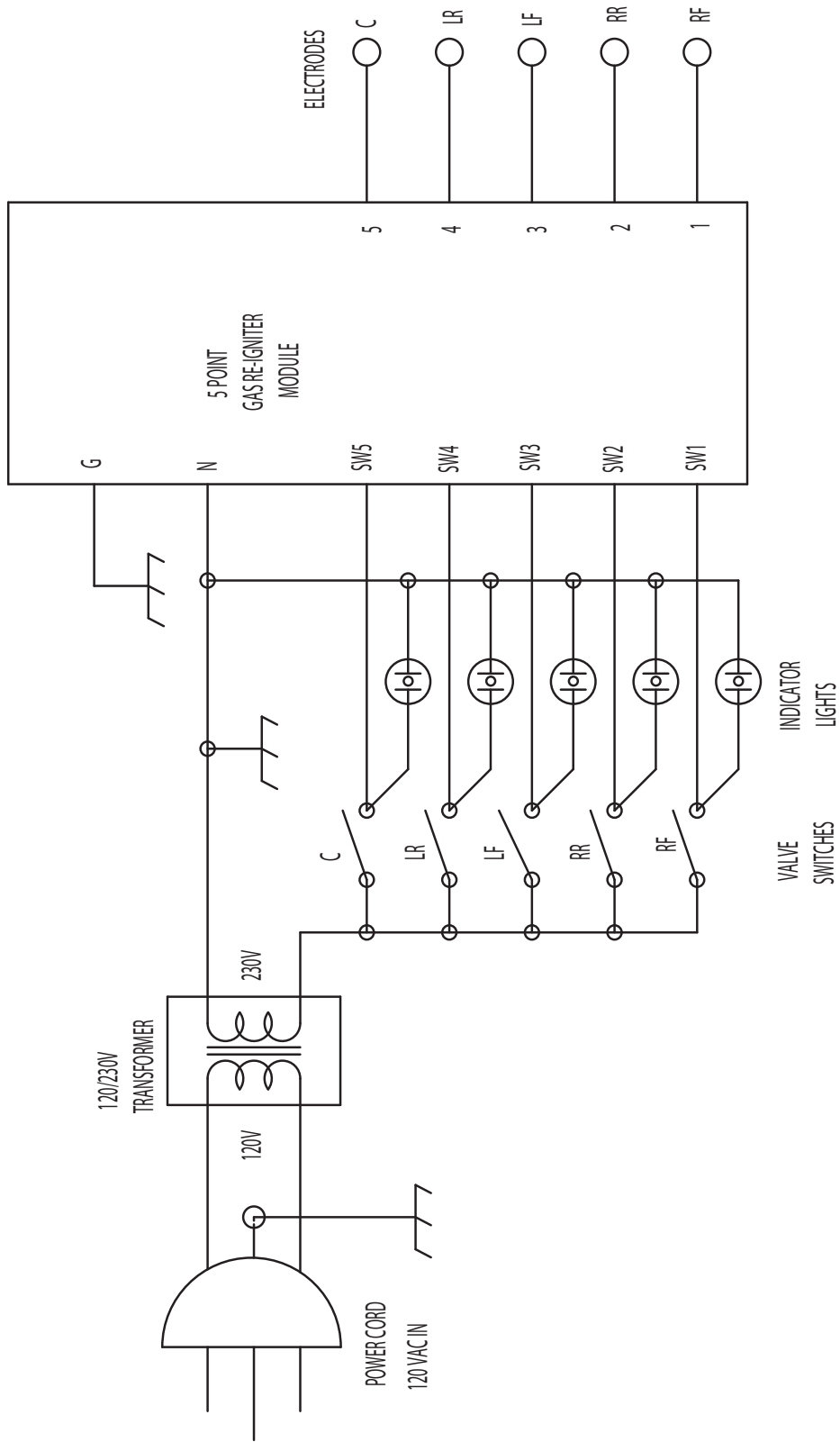
CTD-365



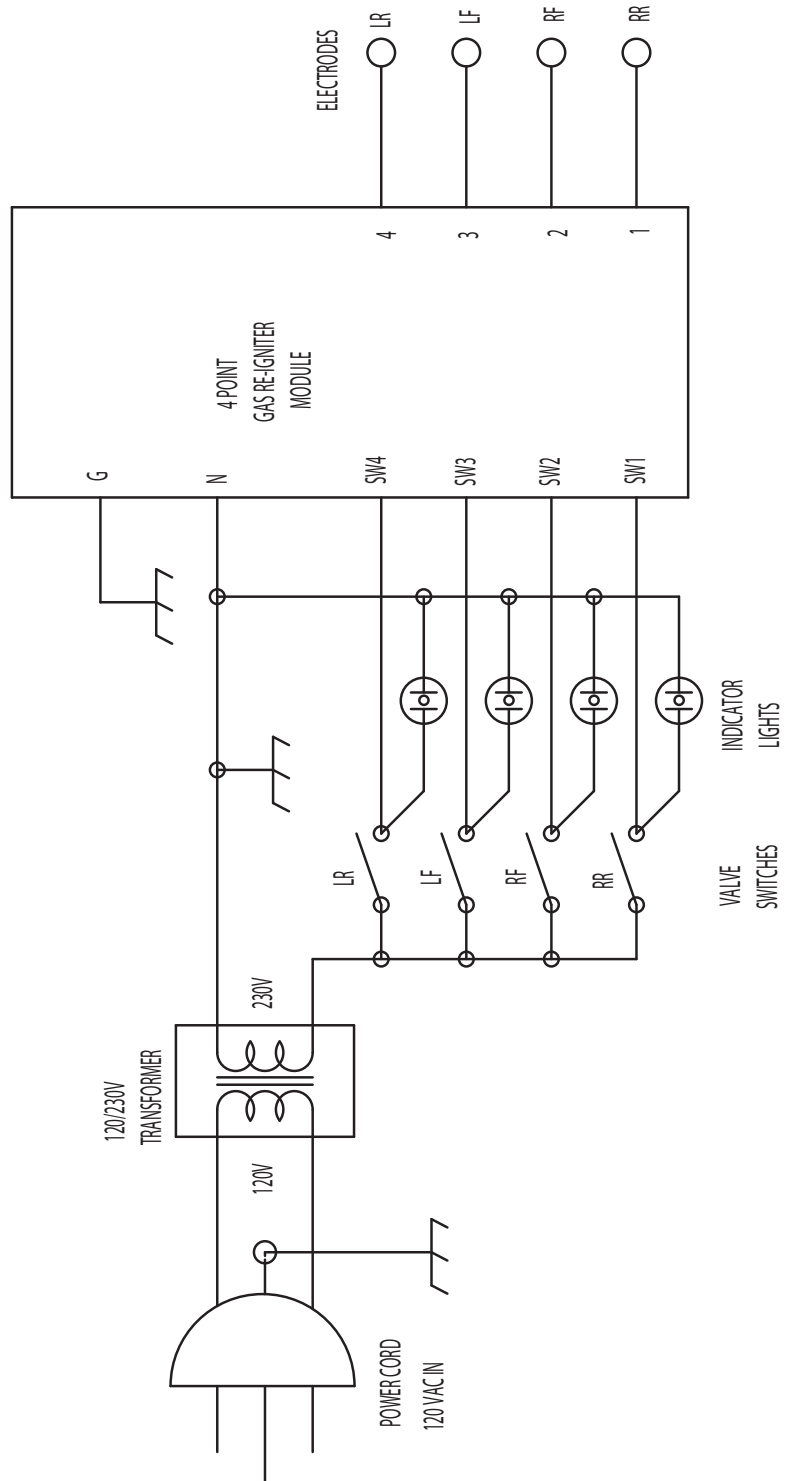
CTD-304



WIRING DIAGRAM FOR CTD-365



WIRING DIAGRAM FOR CTD-304



SERVICE

HOW TO OBTAIN SERVICE:

For warranty service, contact DCS Customer Care Representative at (888) 936-7872. Before you call, please have the following information ready:

- Model Number (located at the bottom of chassis, right corner)
- Serial Number (located at the bottom of chassis, right corner)
- Date of installation
- A brief description of the problem

Your satisfaction is of the utmost importance to us. If a problem cannot be resolved to your satisfaction, please write to Customer Care or email: customer.care@fisherpaykel.com,

Write:

Fisher & Paykel Appliances, Inc.
Attention: DCS Customer Care
5900 Skylab Road
Huntington Beach, CA 92647

BEFORE YOU CALL FOR SERVICE:

1. Is the circuit breaker tripped?
2. Is the gas turned on?
3. Is the AC plugged in?
4. Is the burner cap in position?
5. Can the burner be lit with a match?
6. Is the gas type correct for the unit – LP or Natural? (Assume the gas type is natural unless the model # has “L” which stands for LP.)

WARRANTY

LIMITED WARRANTY

When you purchase a new DCS Drop-in Cooktop you automatically receive a One Year Limited Warranty covering parts and labor for the entire product, and a Five Year Limited Warranty on the structural integrity of the exterior and interior body parts for servicing within the 48 mainland United States, Hawaii, Washington D.C. and Canada. In Alaska the Limited Warranty is the same except that you must pay to ship the Product to the service shop or the service technician's travel to your home. Products for use in Canada must be purchased through the Canadian distribution channel to ensure regulatory compliance. Should rusting occur to the degree of non-performance, replacement parts will be furnished. This does not apply if the unit was subjected to other than normal residential use.

If the Product is installed in a motor vehicle, boat or similar mobile facility, you receive the same One Year Limited Warranty, but you must bring the vehicle, boat or mobile facility containing the Product to the service shop at your expense or pay the service technician's travel to the location of the Product.

FISHER & PAYKEL UNDERTAKES TO:

Repair without cost to the owner either for material or labor any part of the Product, the serial number of which appears on the Product, which is found to be defective. In Alaska, you must pay to ship the Product to the service shop or for the service technician's travel to your home. If the Product is installed in a motor vehicle, boat or similar mobile facility, you must bring it to the service shop at your expense or pay for the service technician's travel to the location of the Product.

If we are unable to repair a defective part of the Product after a reasonable number of attempts, at our option we may replace the part or the Product, or we may provide you a full refund of the purchase price of the Product (not including installation or other charges).

This warranty extends to the original purchaser and any succeeding owner of the Product for products purchased for ordinary single-family home use. All service under this Limited Warranty shall be provided by Fisher & Paykel Appliances Inc. or its Authorized Service Agent during normal business hours.

HOW LONG DOES THIS LIMITED WARRANTY LAST?

Our liability under this Limited Warranty for the entire product expires One Year from the date of purchase of the Product by the first consumer. Our liability under this Limited Warranty for the structural integrity of the exterior and interior body parts expires Five Years from the date of purchase of the Product by the first consumer.

Our liability under any implied warranties, including the implied warranty of merchantability (an unwritten warranty that the Product is fit for ordinary use) also expires One Year (or such longer period as required by applicable law) from the date of purchase of the Product by the first consumer. Some states do not allow limitations on how long an implied warranty lasts, so this limit on implied warranties may not apply to you.

THIS WARRANTY DOES NOT COVER:

- A. Service calls that are not related to any defect in the Product. The cost of a service call will be charged if the problem is not found to be a defect of the Product. For example:
1. Correct faulty installation of the Product.
 2. Instruct you how to use the Product.
 3. Replace house fuses, reset circuit breakers, correct house wiring or plumbing, or replace light bulbs.
 4. Correct fault(s) caused by the user.
 5. Change the set-up of the Product.
 6. Unauthorized modifications of the Product.
 7. Noise or vibration that is considered normal, for example, drain/fan sounds, regeneration noises or user warning beeps.

WARRANTY

8. Correcting damage caused by pests, for example, rats, cockroaches etc.
- B. Defects caused by factors other than:
1. Normal domestic use or
 2. Use in accordance with the Product's Use and Care Guide.
- C. Defects to the Product caused by accident, neglect, misuse, fire, flood or Act of God.
- D. The cost of repairs carried out by non-authorized repairers or the cost of correcting such unauthorized repairs.
- E. Travel Fees and associated charges incurred when the product is installed in a location with limited or restricted access (i.e. airplane flights, ferry charges, isolated geographic areas).
- F. Normal recommended maintenance as set forth in the Product's Use and Care Guide.

If you have an installation problem contact your dealer or installer. You are responsible for providing adequate electrical, exhausting and other connection facilities. We are not responsible for consequential or incidental damages (the cost of repairing or replacing other property damaged if the Product is defective or any of your expenses caused if the Product is defective). Some states do not allow the exclusion or limitation of incidental or consequential damages, so the above limitation or exclusion may not apply to you.

HOW TO GET SERVICE

Please read your Use and Care Guide. If you then have any questions about operating the Product, need the name of your local DCS Authorized Service Agent, or believe the Product is defective and wish service under this Limited Warranty, please contact your dealer or call us at:

TOLL FREE 1-888-936-7872 or contact us through our web site: www.dcsappliances.com

You may be required to provide reasonable proof of the date of purchase of the Product before the Product will be serviced under this Limited Warranty.

COMMERCIAL USE

This warranty applies to appliances used in residential applications; it does not cover their use in commercial situations.

NO OTHER WARRANTIES

This Limited Warranty is the complete and exclusive agreement between you and Fisher & Paykel Appliances Inc. regarding any defect in the Product. None of our employees (or our Authorized Service Agents) are authorized to make any addition or modification to this Limited Warranty.

Warrantor: Fisher & Paykel Appliances, Inc.

If you need further help concerning this Limited Warranty, please call us at the above number, or write to:

Fisher & Paykel Appliances, Inc.
Attention: DCS Customer Care
5900 Skylab Road, Huntington Beach, CA 92647

This Limited Warranty gives you specific legal rights, and you may also have other rights which vary from state to state.

Fisher & Paykel Appliances Inc. is a leading manufacturer of premium quality cooking and specialty appliances under the Fisher & Paykel and DCS brands.

NOTES



TABLE DE CUISSON SUPENDUE PROFESSIONNELLE

- 36 PO À 5 BRÛLEURS
- 30 PO À 4 BRÛLEURS

Manuel D'Installation



MODÈLES:

CTD-365

CTD-304



À NOTRE CLIENTÈLE

Nous vous remercions d'avoir choisi cette table de cuisson suspendue professionnelle DCS. Nous avons conçu ce Manuel d'installation pour expliquer ses fonctions uniques. Il contient des informations extrêmement utiles sur la façon d'installer votre nouvel appareil de cuisson. Vous pourrez ainsi en profiter pendant des années en toute sécurité.

Si vous avez des questions au sujet de notre produit, communiquez avec Centre de service à la clientèle DCS par téléphone : 1-888-936-7872, ou email : customer.care@fisherpaykel.com.

REMARQUE : Veuillez noter les numéros de modèle et de série sur cette page pour information (bas du châssis, coin droit)

NUMÉRO DE MODÈLE _____ NUMÉRO DE SÉRIE _____

REMARQUE : Inspecter le produit pour vérifier qu'il n'a pas été endommagé pendant l'expédition. En cas de dommages, contacter le transporteur et entamer une déclaration pour dommage. DCS by Fisher & Paykel n'est en aucun cas responsable des dommages pendant l'expédition.

Ne pas jeter le matériau d'emballage (boîte, palette, sangles) avant d'avoir inspecté l'unité.



AVERTISSEMENT

Toute installation, ajustement, altération ou entretien incorrect peut causer des dommages matériels, des blessures ou la mort. Veuillez lire soigneusement ces instructions d'installation, d'utilisation et d'entretien avant d'utiliser, installer ou effectuer l'entretien de cet appareil.



AVERTISSEMENT

Évitez de stocker ou d'utiliser de l'essence ou tous autres liquides et vapeurs inflammables à proximité de cet appareil ou de tout autre appareil.



DANGER

Si vous sentez une odeur de gaz :

1. N'allumez aucun interrupteur électrique; n'utilisez aucun téléphone dans l'édifice.
2. Appelez immédiatement votre fournisseur de gaz de chez un voisin. Suivez les instructions du fournisseur de gaz.
3. Si vous n'arrivez pas à joindre votre fournisseur de gaz, appelez les pompiers. Toute entretien ou installation doit être confié à un installateur qualifié, un organisme de service ou le fournisseur de gaz.

VEUILLEZ CONSERVER CE MANUEL À TITRE DE RÉFÉRENCE.

TABLE DES MATIÈRES

| | |
|--------------------------------------------|-------|
| MESURES DE SÉCURITÉ ET DE PRÉCAUTION | 3-5 |
| EXIGENCES EN MATIÈRE DE VENTILATION | 6 |
| INSTRUCTIONS D'INSTALLATION | 7-10 |
| Préparation en vue de l'installation | 7 |
| Préparation du boîtier | 8 |
| Branchement du gaz | 9 |
| Besoins en alimentation | 10 |
| Méthode de mise à la terre recommandée | 10 |
| LISTE DE CONTRÔLE FINALE DE L'INSTALLATEUR | 11 |
| SPÉCIFICATIONS DES DIMENSIONS DU PRODUIT | 12 |
| SCHMA DE CâBLAGE | 13-14 |
| SERVICE | 15 |
| GARANTIE | 16-17 |

MESURES DE SÉCURITÉ ET DE PRÉCAUTION

Votre nouvel appareil DCS fonctionnera de manière sûre et fiable pendant des années si vous en prenez soin correctement. Faites extrêmement attention quand vous utilisez cet appareil de cuisson de niveau professionnel car il dégage une chaleur intense et peut augmenter les risques d'accidents. Vous devez respecter des consignes de sécurité élémentaires durant l'utilisation de cet appareil, dont celles-ci :

- Veuillez lire attentivement ce manuel d'utilisation et d'entretien avant d'utiliser votre nouvel appareil. Ceci vous permettra de réduire les risques d'incendie, de chocs électriques ou de blessures.
- Commencez par vous assurer que l'installation et l'entretien sont effectués correctement. Suivez les instructions d'installation fournies avec cet appareil. Confiez l'installation et la mise à la terre de l'appareil à un technicien qualifié avant de l'utiliser.
- Demandez-lui de vous montrer l'emplacement du robinet d'arrêt de l'alimentation de gaz afin de savoir comment couper l'arrivée de gaz.
- Si vous sentez une odeur de gaz, cela signifie que l'installateur n'a pas vérifié correctement s'il y avait des fuites. Si les connexions ne sont pas complètement étanches, une petite fuite pourrait se produire et laisser s'échapper une faible odeur de gaz. La détection des fuites n'est pas une procédure à faire soi-même. Certaines fuites ne peuvent être détectées que si la commande du brûleur est sur ON et, dans l'intérêt de votre sécurité, ceci doit être confié à un technicien qualifié.
- Si jamais un brûleur s'éteint sans se rallumer et laisse s'échapper le gaz, ouvrez la fenêtre ou la porte pour évacuer l'air. N'essayez pas d'utiliser l'appareil avant que le gaz n'ait eu le temps de se dissiper.
- Cet appareil électroménager a été monté en usine pour être utilisé avec du gaz naturel ou propane tel qu'indiqué par le numéro de modèle.
- Ne réparez pas ni ne remplacez aucune pièce de cet appareil, sauf indication contraire du manuel. Tout autre travail d'entretien doit être confié à un technicien qualifié.



AVERTISSEMENT :

Les enfants ne doivent pas être laissés seuls ou sans surveillance dans un endroit où est utilisé ce type d'appareil. Il ne faut jamais les laisser tourner ou enfoncez des boutons, ni s'asseoir ou se tenir debout sur l'appareil.



AVERTISSEMENT :

ne rangez pas d'objets pouvant attirer les enfants sur ou autour de la table de cuisson. Les enfants pourraient se blesser sérieusement s'ils grimpent sur l'appareil ou s'étirent par dessus pour atteindre un objet particulier.

- **Ne rangez jamais rien sur la table de cuisson.** Des matériaux inflammables pourraient prendre feu accidentellement, des éléments en plastique pourraient fondre ou s'enflammer et d'autres types d'objets pourraient être détruits.
- Ne suspendez aucun objet sur aucune partie de l'appareil. Certains matériaux sont très inflammables et pourraient prendre feu.
- Si l'appareil se trouve près d'une fenêtre, assurez-vous que les rideaux sont suffisamment éloignés des brûleurs de la table de cuisson; ils pourraient prendre feu sinon.

MESURES DE SÉCURITÉ ET DE PRÉCAUTION

- Ne laissez jamais des vêtements, gants ou autres matériaux inflammables en contact ou à proximité d'un brûleur ou d'une grille de brûleur tant que ceux-ci n'ont pas refroidi. Les tissus peuvent s'enflammer et causer des blessures.
- Utilisez seulement des gants isolants secs : les gants humides sur des surfaces chaudes peuvent provoquer des brûlures causées par la vapeur. N'utilisez pas de serviette ou de chiffon épais à la place de gants isolants. Ne laissez pas les gants isolants toucher les brûleurs ou leurs grilles.
- Pour assurer votre propre sécurité, habillez-vous de façon appropriée. Ne portez jamais de vêtements ou de manches lâches lorsque vous utilisez l'appareil. Certains tissus synthétiques sont extrêmement inflammables et ne doivent pas être portés pendant la cuisson.
- Ne recouvrez aucune partie de la table de cuisson avec du papier aluminium. L'utilisation de papier aluminium peut créer un risque d'incendie.



AVERTISSEMENT :

cet appareil est destiné à la cuisson. Pour des raisons de sécurité, n'utilisez jamais la table de cuisson pour chauffer une pièce.



AVERTISSEMENT :

Durant l'utilisation de la table de cuisson : ne touchez pas les grilles des brûleurs ou les surfaces adjacentes. Celles-ci peuvent devenir suffisamment chaudes pour provoquer des brûlures.

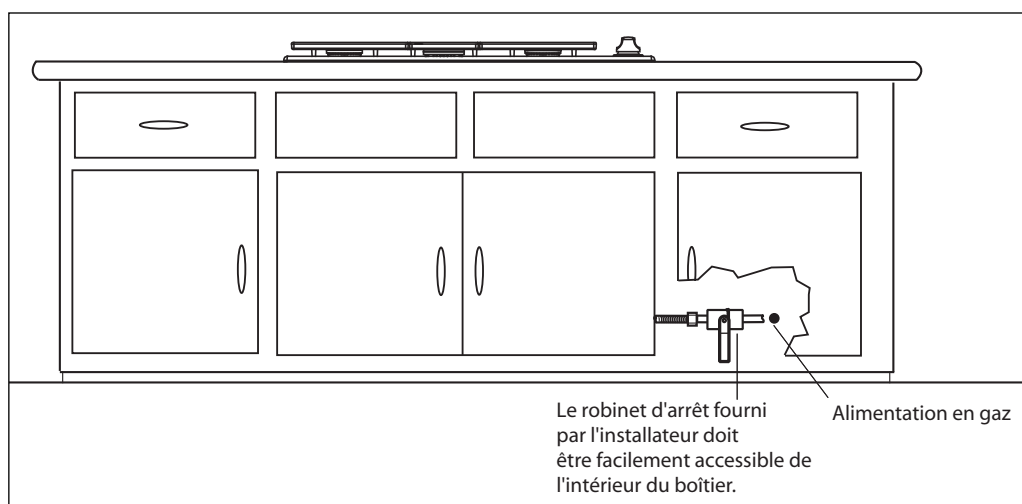
- Ne laissez jamais la table de cuisson sans surveillance lorsque vous cuisinez à flamme haute. Un débordement par bouillonnement pourrait produire de la fumée ou un déversement graisseux pourrait prendre feu. Et, surtout, si les flammes des brûleurs sont étouffées par un débordement important affectant l'allumeur, **le gaz non brûlé s'échappera dans la pièce, ce qui serait extrêmement dangereux.**
- Seuls certains types d'ustensiles en verre, vitrocéramique calorifugée, céramique, poterie ou émaillés sont appropriés pour être utilisés sur la flamme vive de la table de cuisson. Les ustensiles non thermorésistants peuvent se briser à la suite de changements de température soudains.
- Ne chauffez pas de contenant de nourriture fermé car la pression pourrait s'accumuler et le faire exploser.
- Durant la cuisson, réglez la commande du brûleur de sorte que la flamme ne chauffe que le fond du récipient et ne lèche pas ses rebords inférieurs. Cela pourrait chauffer ou faire fondre les poignées.
- Servez-vous toujours d'ustensiles à fond plat suffisamment larges pour couvrir les brûleurs. L'utilisation d'ustensiles trop petits risque d'offrir un contact direct à la flamme et de mettre le feu aux vêtements.
- Afin de réduire le risque de brûlures, d'allumage de matériaux inflammables et de déversement accidentel, tournez les poignées des ustensiles vers l'intérieur afin qu'elles ne surplombent pas les surfaces de travail adjacentes, les zones de cuisson et les bords extérieurs de la table de cuisson.
- Tenez la poignée du récipient pour empêcher tout mouvement de l'ustensile lorsque vous retournez ou remuez la nourriture.
- **La graisse est inflammable.** Ne versez pas d'eau sur les feux de graisse. ÉTEIGNEZ le brûleur, puis étouffez le feu avec du bicarbonate de soude ou à l'aide d'un extincteur à poudre ou à mousse. Laissez toute graisse chaude refroidir avant d'essayer de la manipuler. Évitez de laisser la graisse s'accumuler autour de la base des brûleurs de la table de cuisson. Nettoyez après chaque utilisation ou déversement.

MESURES DE SÉCURITÉ ET DE PRÉCAUTION

- Recouvrez les poêles à frire de grilles anti-éclaboussures pour éviter les risques de brûlures à l'huile. Prenez soin de ne pas utiliser une flamme trop haute.
- Pour assurer un bon allumage et une bonne performance des brûleurs de la table de cuisson, gardez leurs ports dans un état propre. Il peut s'avérer nécessaire de nettoyer ceux-ci en cas de débordement ou lorsque le brûleur ne s'allume pas, même si les allumeurs électroniques cliquent.
- Nettoyez la table de cuisson avec précaution. Évitez de vous brûler à la vapeur : n'utilisez pas d'éponge ou de chiffon mouillé pour nettoyer l'appareil alors qu'il est encore chaud. Certains produits de nettoyage produisent des vapeurs nocives s'ils sont appliqués à une surface chaude. Suivez le mode d'emploi fourni par le fabricant du produit de nettoyage.
- Assurez-vous que les boutons de l'appareil sont fermés et que celui-ci est froid avant d'utiliser des nettoyants aérosol à proximité. L'élément chimique qui produit le jet de vaporisation peut, en présence de chaleur, s'enflammer ou provoquer la corrosion des parties métalliques.
- Nettoyez fréquemment la hotte et les filtres de ventilation surplombant la table de cuisson afin d'empêcher toute accumulation de graisse provenant des vapeurs de cuisson.
- ÉTEIGNEZ le ventilateur en cas d'incendie. Si la souffleuse est en marche, elle pourrait en effet répandre les flammes.
- Ne bloquez pas la circulation de l'air de combustion ou de ventilation. Assurez toujours un apport d'air frais.
- Pour des raisons de sécurité et pour ne pas endommager l'appareil, évitez de vous asseoir, de vous tenir debout ou de vous appuyer contre la surface de cuisson.
- Les réparations doivent être effectuées par des techniciens agréés uniquement. Ceux-ci doivent débrancher le bloc d'alimentation avant de travailler sur l'appareil.
- Avertissement concernant la proposition 65 de la Californie : l'incinération de gaz de cuisson génère des sous-produits considérés par l'État de Californie comme pouvant causer le cancer ou des malformations congénitales. Les lois de Californie exigent que les entreprises avertissent leurs clients qu'ils risquent d'être exposés à de telles substances. Pour minimiser l'exposition à ces substances, faites toujours fonctionner l'appareil conformément aux instructions contenues dans ce manuel et assurez une bonne ventilation lorsque vous cuisinez au gaz.

REMARQUE :

Ce produit doit être installé par un plombier ou ajuste d'appareils à gaz agréé si l'installation a lieu au sein du Commonwealth du Massachusetts.



EXIGENCES EN MATIÈRE DE

RENSEIGNEMENTS IMPORTANTS :

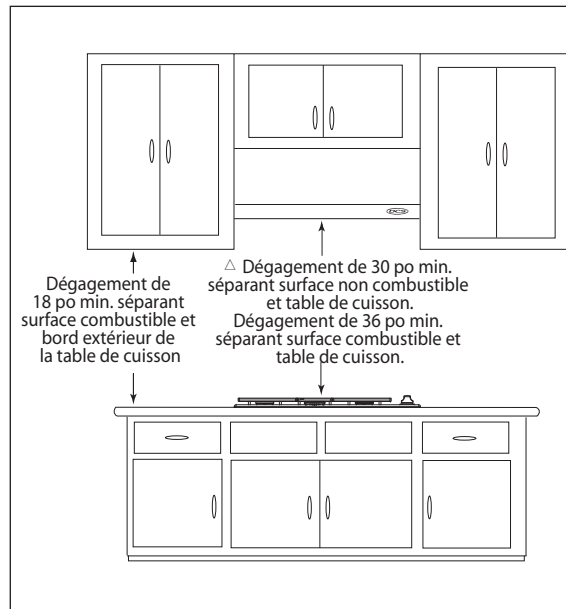
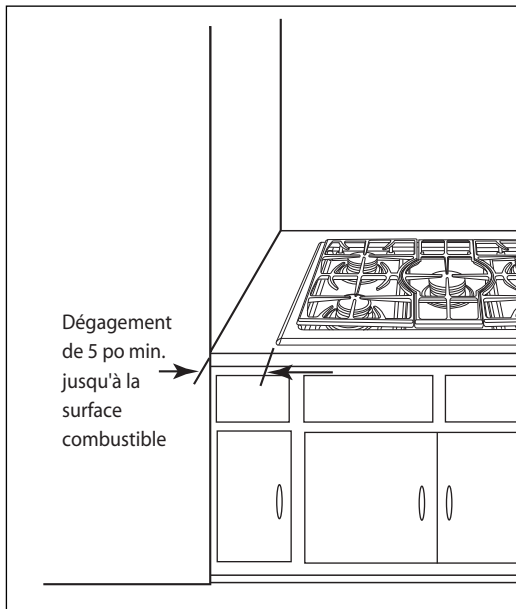
! MISE EN GARDE :

les hottes et souffleuses de ventilation sont conçues pour être utilisées avec des conduits à paroi simple. Toutefois, il se peut que certains codes du bâtiment locaux ou des inspecteurs exigent des parois doubles. Consultez les codes du bâtiment ou organismes locaux avant de commencer afin de vous assurer que la hotte et les conduits sont conformes aux normes en vigueur. La vitesse de la souffeuse de la hotte doit être variable afin de réduire le niveau de bruit et la perte d'air chauffé ou conditionné de la pièce lorsqu'une ventilation maximum n'est pas requise. Pour évacuer la fumée de la meilleure façon, le bord inférieur de la hotte doit être installé à un minimum de 76 cm (30 po) et un maximum de 91 cm (36 po) au-dessus de la surface de cuisson. Si la hotte contient des matériaux combustibles (par ex. un revêtement en bois), elle doit être placée à au moins 91 cm (36 po) au-dessus de la surface de cuisson. À cause du volume élevé d'air de ventilation, il est recommandé d'assurer une source d'air frais provenant de l'extérieur. Ceci est particulièrement important pour les résidences très isolées. Consultez un spécialiste en chauffage et aération réputé.

EXIGENCES EN MATIÈRE DE VENTILATION : RECOMMANDATIONS CONCERNANT L'INSTALLATION D'UN COMPTOIR STANDARD

HOTTE : (profondeur 24 po x largeur de l'appareil)

SOUFFLEUSE : TABLE DE CUISSON 36 po
17 m³/min



△Tel que défini dans le « National Fuel Gas Code » (norme ANSI Z223.1 dernière édition)

Le niveau des surfaces horizontales de la garniture de la cuisinière (table de cuisson) ne doit pas être inférieur au niveau du comptoir.

REMARQUE :

Voir les recommandations du fabricant en ce qui concerne les dimensions des conduits.

INSTRUCTIONS D'INSTALLATION

PRÉPARATION EN VUE DE L'INSTALLATION :

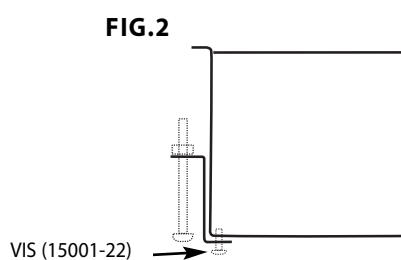
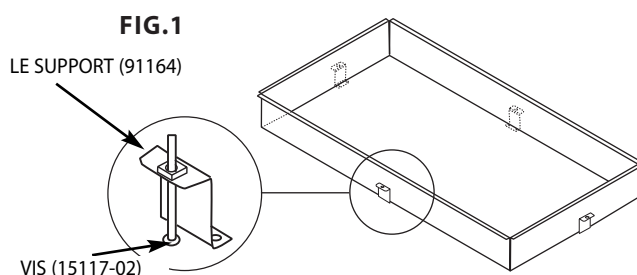
Lisez attentivement la page 6 concernant les exigences en matière de ventilation avant de commencer. Reportez-vous à la section de préparation du boîtier à la page 8 avant de pratiquer la DÉCOUPE.

- Étape 1: Déballez l'appareil et le régulateur et enlevez tout l'emballage des brûleurs, des couronnes et des capuchons. Retirez les grilles de leur boîtes.
- Étape 2: À l'aide des outils et matériel nécessaires à portée de main, mesurez la distance entre l'arrière et les côtés du comptoir et du boîtier afin de déterminer l'emplacement de la découpe de la table de cuisson.
- Étape 3: Effectuez la découpe selon les dimensions indiquées à la page 8. Aligned la découpe contre le comptoir.
- Étape 4: Abaissez la table de cuisson dans la découpe du comptoir en prenant soin de ne pas endommager le comptoir, le filetage du tuyau d'admission ou le cordon d'alimentation de la table de cuisson.
- Étape 5: Aligned la table de cuisson contre la découpe et installez les (4) supports de retenue sur les 8 trous situés au bas de l'appareil (voir Figure 1 ci-dessous). Si des supports de retenue ne sont pas installés, la table de cuisson ne sera pas pressée contre le comptoir.
- Étape 6: Serrez les 4 vis préinstallées pour bien fixer l'appareil. Évitez de trop serrer (voir Figure 2 ci-dessous).

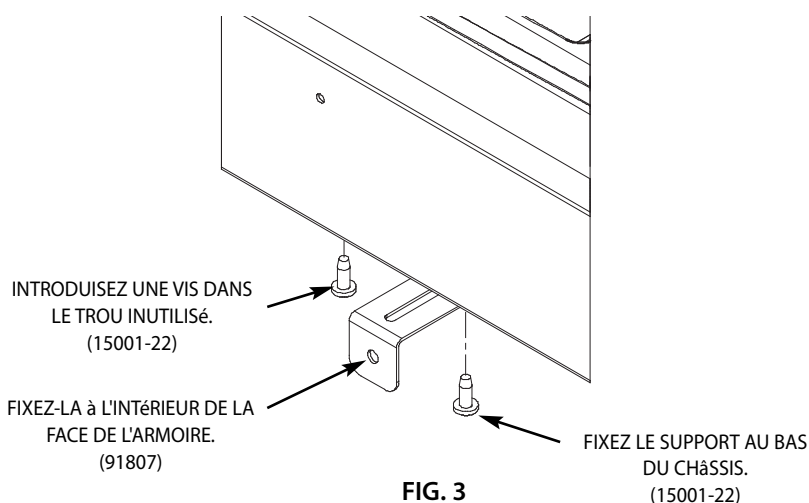
REMARQUE :

Il se peut que certaines installations ne disposent pas d'un dégagement suffisamment à l'avant pour le support de retenue en forme de Z. Dans ce cas, utilisez le support en L fourni. Fixez le support au bas du châssis de la table de cuisson à l'aide d'un des trous à vis prévus à cet effet. Assurez-vous que le support est suffisamment étendu pour qu'il touche l'intérieur de la face de l'armoire. Fixez le support à l'armoire. Introduisez une vis dans le trou adjacent inutilisé du châssis de la table de cuisson. Voir la figure 3.

- Étape 7: Installez le régulateur, flèche orientée dans le sens du débit de gaz (pointant vers la table de cuisson), et couvrez le filetage du tuyau mâle d'un enduit d'étanchéité. Mettez en place les couronnes et capuchons des brûleurs.
- Étape 8: Branchez la conduite de gaz à l'appareil. Reportez-vous à la page 9 en ce qui concerne le branchement du gaz.
- Étape 9: Tournez le robinet pour laisser passer le gaz. Regardez s'il y a des fuites de gaz.
- Étape 10: Branchez l'appareil dans la prise murale.
- Étape 11: Allumez d'abord le bouton du brûleur avant et allumez le gaz avec une allumette en prenant soin de ne pas vous brûler la main ou d'autres parties du corps. Il y a de l'air dans la conduite de gaz lorsque le gaz est activé initialement. L'utilisation d'une allumette sur le brûleur permet de se débarrasser du mélange d'air et de gaz plus facilement et de manière plus sécuritaire. Soyez prudent afin d'éviter tout risque de brûlure.
- Étape 12: Mettez les grilles en place.



INSTRUCTIONS D'INSTALLATION



PRÉPARATION DU BOÎTIER

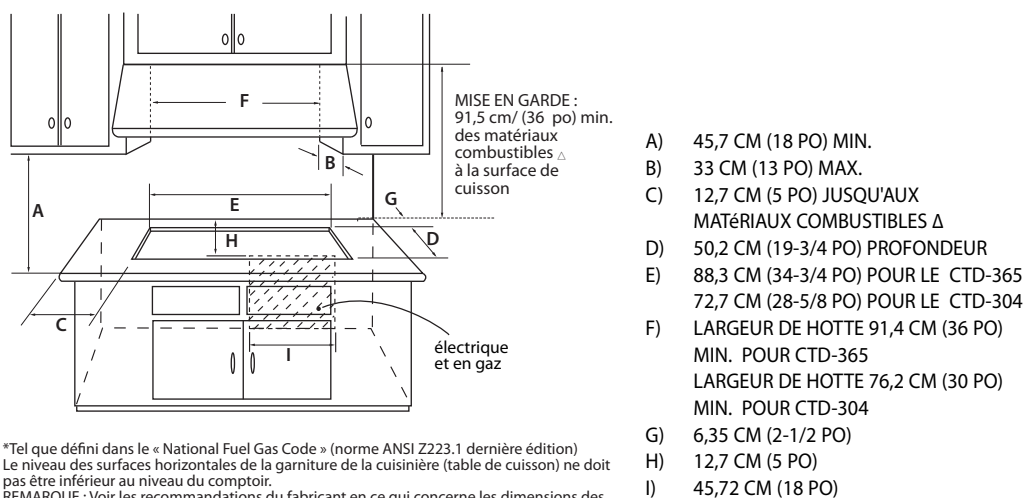
La table de cuisson a été conçue pour permettre une installation facile. Toutefois, pour donner une belle apparence à l'appareil, les découpes doivent être précises afin d'en dissimuler les bords bruts et de permettre un ajustement serré et solide. Utilisez les dimensions de découpe des figures ci-dessous pour votre installation. En préparation à l'installation, il est essentiel que la découpe du boîtier respecte les dimensions de découpe fournies pour la table de cuisson afin d'assurer un bon ajustement. Voir les spécifications indiquées sur les illustrations ci-dessous.

- La table de cuisson doit être de niveau pour bien fonctionner. Le boîtier doit être plat (de l'avant vers l'arrière et de gauche à droite) de manière à affleurer la table de cuisson.
- Prenez soin de consulter les codes du bâtiment en vigueur au sujet de la méthode d'installation à suivre. Les codes peuvent varier d'une région à l'autre. L'installation, les connexions électriques et la mise à la terre doivent être conformes à tous les codes en vigueur.

REMARQUE :

La table de cuisson doit être complètement retirée de la découpe pour toute réparation ou entretien. La chambre de cuisson inférieure n'est pas soutenue par le comptoir.

DIMENSIONS DE DÉCOUPE DE LA TABLE DE CUISSON SUSPENDUE

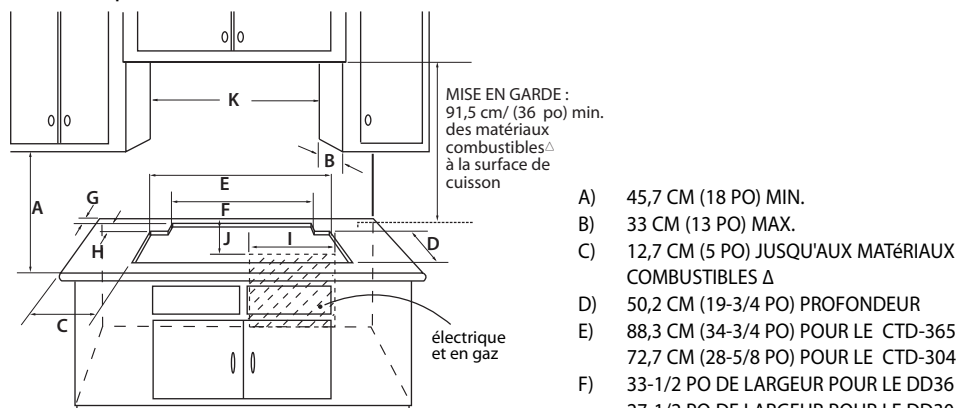


*Tel que défini dans le « National Fuel Gas Code » (norme ANSI Z223.1 dernière édition)
Le niveau des surfaces horizontales de la garniture de la cuisinière (table de cuisson) ne doit pas être inférieur au niveau du comptoir.
REMARQUE : Voir les recommandations du fabricant en ce qui concerne les dimensions des conduits.

INSTRUCTIONS D'INSTALLATION

DIMENSIONS DE DÉCOUPE DE LA TABLE DE CUISSON SUSPENDUE

(dans le cas d'une installation avec un système de ventilation par aspiration descendante DCS DD-36 ou DD-30)



^Δ Tel que défini dans le « National Fuel Gas Code » (norme ANSI Z223.1 dernière édition)

Le niveau des surfaces horizontales de la garniture de la cuisinière (table de cuisson) ne doit pas être inférieur au niveau du comptoir.

REMARQUE : Voir les recommandations du fabricant en ce qui concerne les dimensions des conduits.

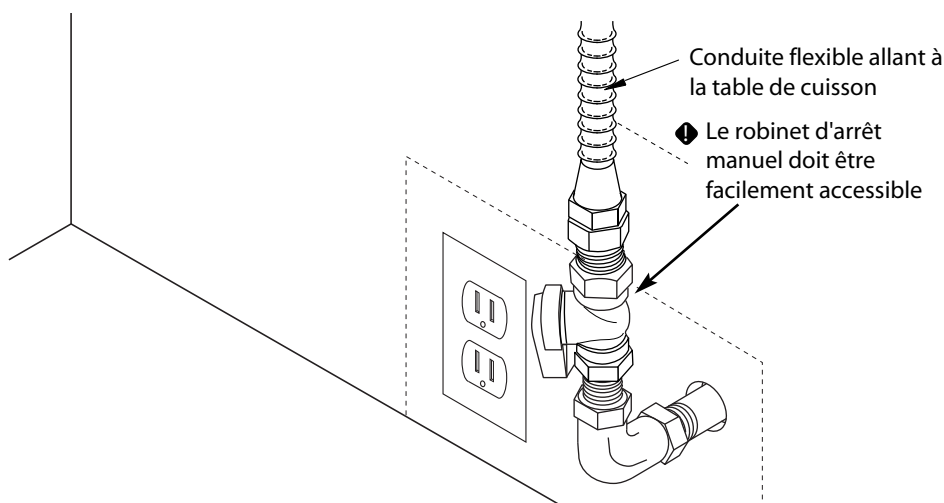
REMARQUE : Dans le cas de l'installation d'une table de cuisson de 30 po dotée d'un système de ventilation par le bas (DD-30SS), prévoyez une profondeur d'armoire de 66 cm (26 po) minimum.

BRANCHEMENT DU GAZ :

Pression CE : 11,0~14,0 po - propane/6,0~9,0 po - gaz naturel

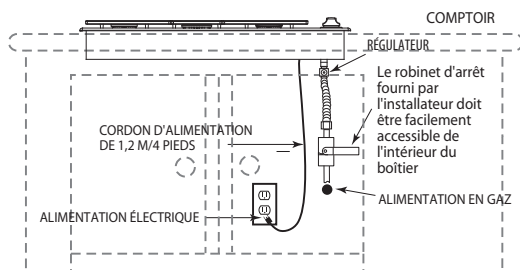
Vérifiez le type de gaz alimentant le site. La table de cuisson est réglée en usine pour fonctionner au gaz naturel ou propane selon le modèle spécifique commandé. Avant d'aller plus loin, vérifiez que la table de cuisson est compatible avec le gaz du site où elle doit être installée. Renvoyez la table de cuisson au distributeur si elle n'est pas réglée pour fonctionner avec le gaz du site. Un robinet manuel doit être installé à l'extérieur de l'appareil, sur le devant, dans un endroit accessible, afin de permettre de couper le gaz. Avant de brancher l'appareil, prenez soin de couper le gaz par le robinet mural. Toutes les connexions d'alimentation en gaz doivent être effectuées par un technicien qualifié conformément aux codes et règlements en vigueur.

Reportez-vous aux illustrations ci-dessous pour repérer l'alimentation en gaz et l'alimentation électrique.

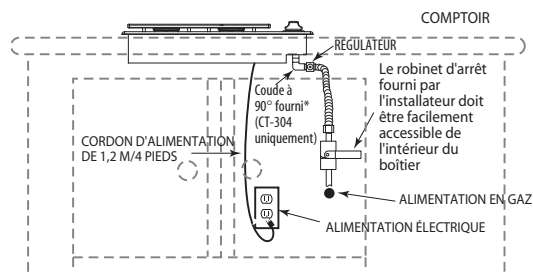


INSTRUCTIONS D'INSTALLATION

LES CONNEXIONS D'ALIMENTATION EN GAZ -CTD-365



LES CONNEXIONS D'ALIMENTATION EN GAZ -CTD-304



* Required when unit is installed over Wall Oven

BESOINS EN ALIMENTATION :

120 V c.a., 60 Hz, courant monophasé

CTD-304/CTD-365 : 0,10 A max.

(utilisez un circuit de 15 A minimum)

- Débranchez toujours le cordon d'alimentation électrique de la prise murale ou coupez le courant avant d'effectuer l'entretien de cet appareil.
- Respectez tous les codes et réglementations en vigueur concernant la mise à la terre. S'il n'y en a pas, respectez la norme ANSI/NFPA No. 70-1990 du National Electrical Code (Code national de l'électricité).

MÉTHODE DE MISE À LA TERRE RECOMMANDÉE :

Cet appareil est équipé d'un cordon d'alimentation à fiche bipolaire avec terre dotée de lames parallèles polarisées. La fiche doit être branchée dans une prise avec mise à la terre correspondante connectée à un circuit correctement polarisé de 120 V. Si le circuit ne possède pas ce genre de prise, l'installateur ou l'utilisateur a la responsabilité et le devoir de faire remplacer, par un technicien qualifié, la prise existante par une prise polarisée correctement mise à la terre conformément aux codes et réglementations en vigueur. En l'absence de tels codes et réglementations, le remplacement de la prise doit être effectué conformément au Code national de l'électricité. LA TROISIÈME BROCHE DE TERRE NE DOIT EN AUCUN CAS ÊTRE COUPÉE OU ENLEVÉE. Assurez une alimentation électrique à courant monophasé de 120 V, 60 Hz sur un circuit de 15 ampères. La prise de courant doit être de type NEMA 5-15R compatible avec la fiche bipolaire avec terre fournie avec l'appareil.



TROISIÈME BROCHE DE TERRE

LISTE DE CONTRÔLE FINALE DE L'INSTALLATEUR

GÉNÉRALITÉS

- Emplacement de l'appareil.
- Dégagement spécifié respecté par rapport aux surfaces du boîtier.
- Appareil de niveau - de l'avant à l'arrière, d'un bord à l'autre.
- Matériel d'emballage et courroies d'attache enlevés.

ALIMENTATION ÉLECTRIQUE :

- Prise avec protection de courant de 15 ampères pour brancher le cordon d'alimentation.
- Connexion de mise à la terre adéquate.

ALIMENTATION EN GAZ :

- Connexion : 1/2 NPT avec conduite flexible de 5/8 po de diamètre minimum
- Le régulateur de pression connecté au distributeur est réglé sur 4,0 po C.E. pour le gaz naturel ou 10,0 po C.E. pour le gaz propane.
- Robinet d'arrêt manuel installé dans un endroit facile d'accès.
- Appareil testé et exempt de fuites.

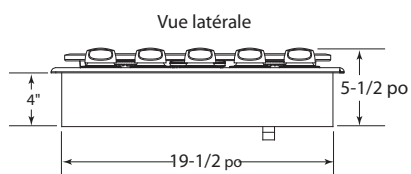
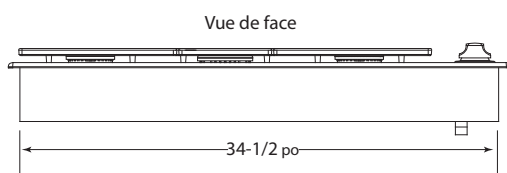
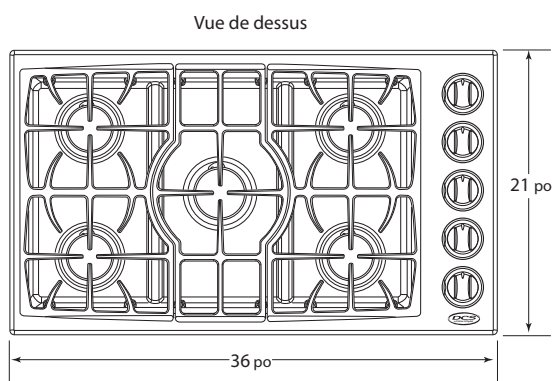
FONCTIONNEMENT :

- Tout le matériel d'emballage interne est enlevé, c'est-à-dire sous les grilles, autour des boutons, etc.
- Cadres centrés sur les boutons des brûleurs et boutons tournant librement,
- Chaque brûleur s'allume correctement, qu'il fonctionne seul ou avec les autres brûleurs.
- Réglage de flamme produisant une flamme douce conique de 3/8 po sur les ports des brûleurs supérieurs.
- Vérification de fonctionnement à faible flamme.
- Tous les capuchons, couronnes et bases de brûleur sont bien assis, de niveau, ne remuent pas et ne glissent pas.
- Les grilles des brûleurs sont correctement placées, de niveau et ne remuent pas.

SPÉCIFICATIONS DES DIMENSIONS DU PRODUIT

Afin de vous assurer que la DÉCOUPE de la table de cuisson est correcte et que l'installation est bien menée, CONSULTEZ LA PAGE 8 EN CE QUI CONCERNE LA PRÉPARATION DU BOÎTIER ET LES SPÉCIFICATIONS DE DÉCOUPE.

CTD-365



CTD-304

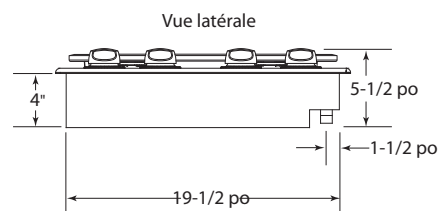
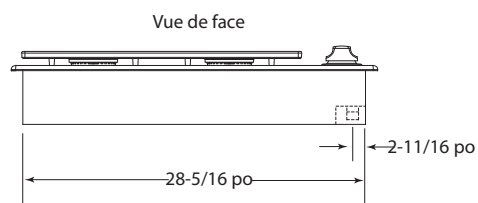
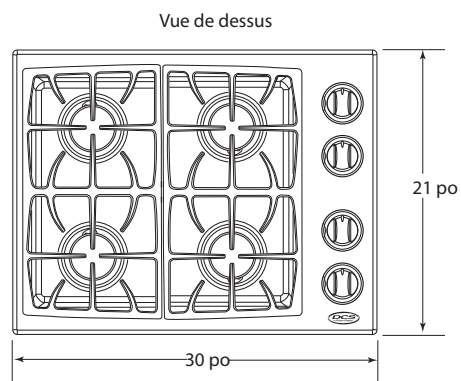


SCHÉMA DE CÂBLAGE – CTD-365

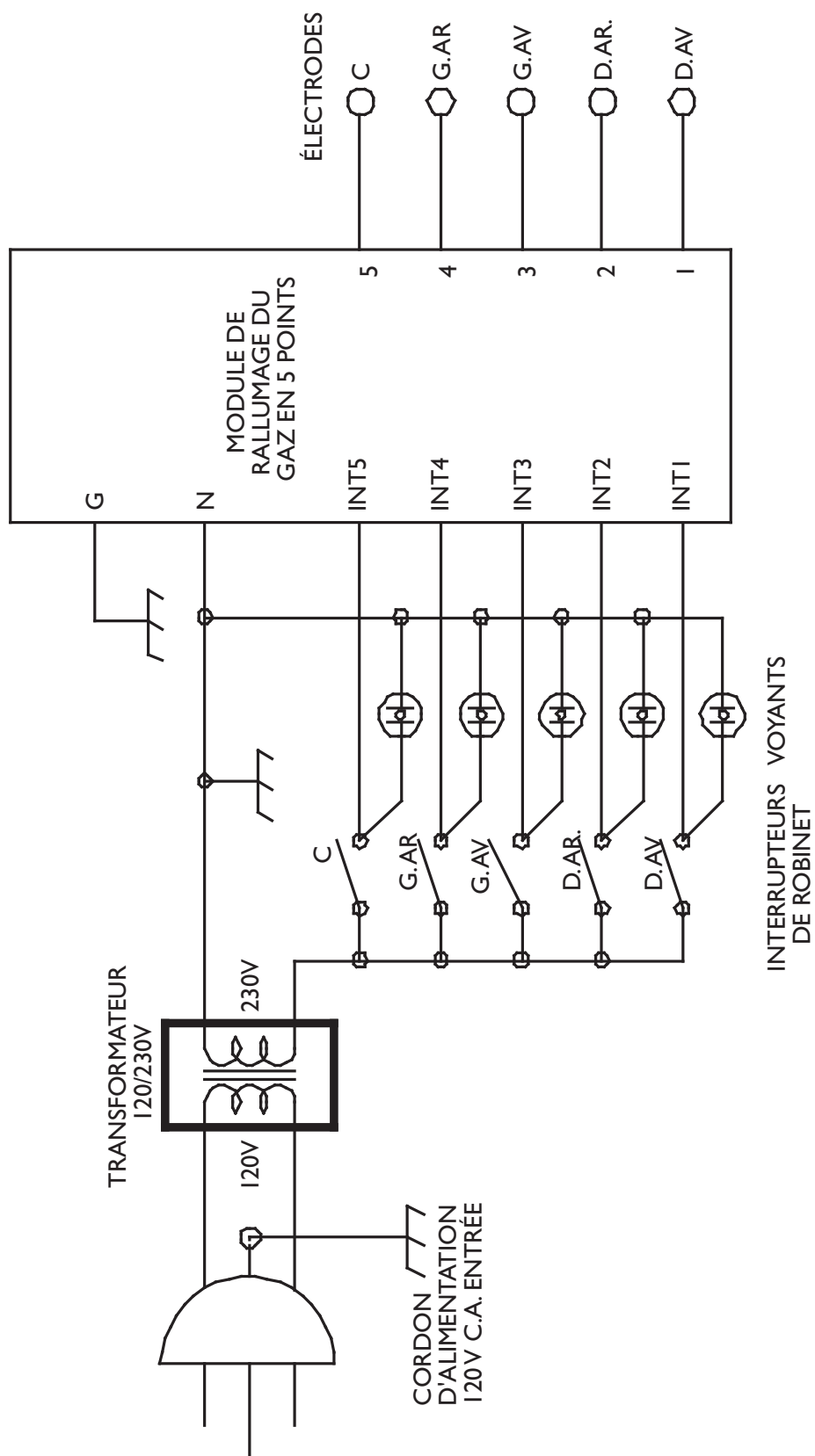
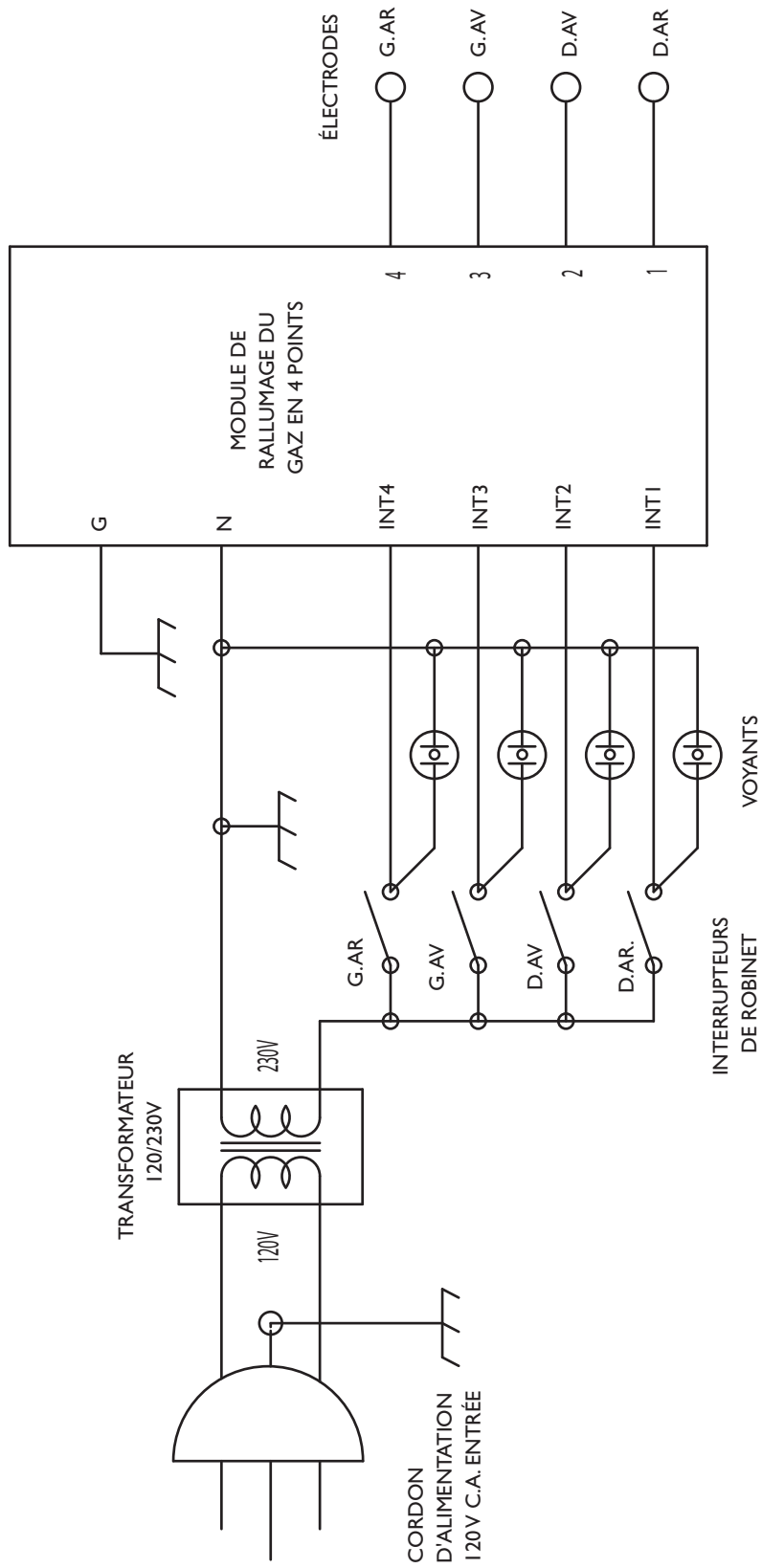


SCHÉMA DE CÂBLAGE – CTD-304



SERVICE

POUR L'OBTENTION DE SERVICE :

Pour le service sous garantie, contactez le centre DCS agréé le plus proche au (888) 936-7872. Avant d'appeler, veuillez avoir les informations suivantes à portée de main :

- Numéro de modèle (bas du châssis, coin droit)
- Numéro de série (bas du châssis, coin droit)
- Date d'installation
- Brève description du problème

Votre satisfaction revêt la plus haute importance pour nous. Si un problème n'est pas résolu à votre entière satisfaction, veuillez communiquer par courrier avec notre Centre de service à la clientèle ou email : customer.care@fisherpaykel.com

Écrivez-nous à l'adresse suivante :

Fisher & Paykel Appliances, Inc.
Attention: DCS Customer Care
5900 Skylab Road
Huntington Beach, CA 92647

AVANT D'APPELER LE SERVICE TECHNIQUE :

1. Est-ce que le disjoncteur s'est déclenché ou que le fusible est grillé?
2. Est-ce que le gaz est allumé?
3. Est-ce que la prise est branchée sur le courant?
4. Est-ce que le capuchon de brûleur est en place?
5. Peut-on allumer le brûleur avec une allumette?
6. Le type de gaz est-il correct pour cet appareil : gaz propane ou naturel? (Voir l'autocollant du numéro de modèle. Vous pouvez supposer que le type de gaz est du gaz naturel à moins que le numéro du modèle comporte un « L », ce qui signifie liquéfié, et donc propane.)

GARANTIE

GARANTIE LIMITÉE

Lors de l'achat d'une table de cuisson suspendue professionnelle neuve DCS, vous bénéficiez automatiquement d'une garantie limitée d'un an couvrant les pièces et la main d'œuvre pour l'intégralité du produit, et d'une garantie limitée de cinq ans sur l'intégrité structurelle des pièces extérieures et intérieures valide dans les 48 états continentaux des États-Unis, ainsi que Hawaï, Washington D.C. et Le Canada. La garantie limitée est la même en Alaska sauf que vous devez payer les frais d'expédition du produit à un centre de service ou les frais de déplacement d'un technicien dans le cas d'une visite à domicile. Les produits destinés à une utilisation au Canada doivent être achetés auprès d'un distributeur canadien afin de respecter la réglementation en vigueur. S'il y a de la corrosion au point où le produit ne fonctionne plus correctement, des pièces de rechange seront fournies. Cette garantie ne s'applique pas si l'appareil a été soumis à une utilisation autre qu'une utilisation résidentielle normale.

Si le produit est installé dans un véhicule ou bateau à moteur, ou une installation mobile similaire, vous bénéficiez de la même garantie limitée d'un an, mais vous devrez acheminer à vos frais ledit véhicule, bateau ou installation mobile contenant le produit jusqu'au centre de service ou payer les frais de déplacement du technicien jusqu'à l'emplacement où se trouve le produit.

FISHER & PAYKEL S'ENGAGE À :

Entreprendre à ses frais (pièces et main-d'œuvre) toutes réparations du produit (sur lequel figure le numéro de série) jugé défectueux. En Alaska, vous devez payer les frais d'expédition du produit à un centre de service ou les frais de déplacement d'un technicien dans le cas d'une visite à domicile. Si le produit est installé dans un véhicule ou bateau à moteur, ou une installation mobile similaire, vous devrez acheminer à vos frais ledit véhicule, bateau ou installation mobile contenant le produit jusqu'au centre de service ou payer les frais de déplacement du technicien jusqu'à l'emplacement où se trouve le produit.

Si nous sommes dans l'incapacité de réparer une pièce défectueuse du produit après un nombre raisonnable de tentatives, nous pourrions, à notre choix, remplacer la pièce ou le produit, ou vous rembourser entièrement le prix d'achat du produit (à l'exclusion des frais d'installation ou autres frais.)

Cette garantie s'applique à l'acheteur initial et à tous les propriétaires successifs du produit dans la mesure où il s'agit d'un produit acheté pour une utilisation à domicile normale. Tout service couvert par cette garantie limitée sera assuré par Fisher & Paykel Appliances Inc. ou son agent de service DCS agréé durant les heures d'ouverture normales.

QUELLE EST LA DURÉE DE CETTE GARANTIE LIMITÉE ?

Notre responsabilité en vertu de cette garantie limitée concernant l'intégralité du produit expire UN AN à partir de la date d'achat du produit par le premier acheteur. Notre responsabilité en vertu de cette garantie limitée concernant l'intégrité structurelle des pièces extérieures et intérieures expire CINQ ANS à partir de la date d'achat du produit par le premier acheteur.

Notre responsabilité en vertu de toute garantie implicite, y compris la garantie implicite de qualité marchande (la garantie tacite selon laquelle le produit est approprié pour un usage normal) expire également UN AN (ou une période plus longue si requis par la loi) à partir de la date d'achat du produit par le premier acheteur. Certaines juridictions ne permettent pas la limitation de la garantie implicite, il est donc possible que la limitation ci-dessus sur les garanties implicites ne s'applique pas à vous.

NE SONT PAS COUVERTS PAR LA GARANTIE :

- A. Les appels de service n'ayant aucun rapport avec un défaut éventuel du produit. Le coût de l'appel de service sera facturé s'il se trouve que le problème n'est pas dû à un défaut du produit. Par exemple :
1. Corriger une mauvaise installation du produit.
 2. Montrer comment utiliser le produit.
 3. Remplacer des fusibles à domicile, réarmer les disjoncteurs, réparer les fils électriques ou la plomberie du domicile, ou remplacer des ampoules.

GARANTIE

4. Corriger des anomalies causées par l'utilisateur.
 5. Changer la configuration du produit.
 6. Modifications non autorisées du produit.
 7. Bruits ou vibrations considérés comme normaux, par exemple les bruits de drain ou de ventilateur, les bruits de régénération (vibrations, sifflements) ou les signaux d'avertissement à l'intention de l'utilisateur.
 8. Corriger des dommages causés par des animaux nuisibles, par exemple des rats, des coquerelles, etc.
- B. Défauts causés par des facteurs autres que :
1. Utilisation domestique normale ou
 2. Utilisation conformément aux indications du guide de l'utilisateur.
- C. Défauts du produit pour cause d'accident, négligence, mauvaise utilisation, incendie, inondation ou calamité naturelle.
- D. Les coûts des réparations effectuées par des techniciens non autorisés ou le coût de correction de ces réparations non autorisées.
- E. Les frais de voyage et les frais connexes encourus lorsque le produit est installé dans un lieu à accès illimité ou restreint (déplacement par avion ou par bateau, régions géographiques isolées, etc.).
- F. Entretien normal recommandé par le guide l'utilisateur.

Contactez votre distributeur ou votre installateur en cas de problème d'installation. Il vous incombe d'assurer une installation électrique, une ventilation et toute autre connexion appropriées. Nous ne sommes pas responsables des dommages indirects ou accessoires (coût de réparation ou de remplacement d'autres biens endommagés parce que le produit était défectueux ou tout autre coût que vous auriez encouru parce que le produit était défectueux). Certaines juridictions interdisent l'exclusion ou la restriction de la responsabilité des dommages indirects ou accessoires; l'exclusion ou la restriction indiquée ci-dessus peut donc ne pas s'appliquer à votre cas particulier.

POUR OBTENIR DES RÉPARATIONS

Veillez consulter le guide de l'utilisateur. Si vous avez des questions concernant l'utilisation du produit, que vous cherchez le nom de l'agent de service DCS agréé local ou que pensez que le produit est défectueux et désirez le faire réparer dans le cadre de cette garantie limitée, veuillez contacter votre distributeur ou nous appeler au numéro suivant :

(NUMÉRO SANS FRAIS) 1-888-936-7872 ou contactez-nous par l'intermédiaire de notre site Web : www.dcsappliances.com.

Vous devrez peut-être présenter une preuve raisonnable de la date d'achat du produit avant de pouvoir bénéficier d'une réparation dans le cadre de cette garantie limitée.

UTILISATION COMMERCIALE

Cette garantie s'applique à des appareils électroménagers utilisés à domicile; elle ne couvre pas les cas d'utilisation commerciale.



Quality provided by Fisher & Paykel Appliances Inc.

Fisher & Paykel Appliances, Inc.
5800 Skylab Road, Huntington Beach, CA 92647
Customer Care: 888.936.7872
Fax: 714.372.7003
www.dcsappliances.com

As product improvement is an ongoing process, we reserve the right to change specifications or design without notice.

Nous améliorons constamment ses produits et se réserve le droit de modifier les spécifications ou la conception de ses produits sans aucun préavis.

P/N 239356 Rev. B
Litho in USA 08/2008