

This Owner's Manual is provided and hosted by [Appliance Factory Parts](#).



# FISHER & PAYKEL CP-484GG Owner's Manual

[Shop genuine replacement parts for FISHER & PAYKEL  
CP-484GG](#)



[Find Your FISHER & PAYKEL Gas Range Parts - Select From 10 Models](#)

----- Manual continues below -----



# THE PROFESSIONAL CS COOKTOP

## Parts List



**MODEL:**  
70017

**PRODUCT CODE:**  
CS-484GGSS



## PRODUCT

<b>Brand</b>	DCS
<b>Voltage</b>	110V 60Hz
<b>Model</b>	CS-484GGSS
<b>Product Code</b>	70017

**Fisher & Paykel Appliances**  
5900 Skylab Road, Huntington Beach,  
CA 92647  
Customer Care: (888) 281-5698  
Fax: (714) 372-7003  
[www.dcsappliances.com](http://www.dcsappliances.com)  
[support@dcsappliances.com](mailto:support@dcsappliances.com)

# CONTENTS

BURNER COMPONENTS .....	6
GRILL & GRIDDLE COMPONENTS .....	8
MANIFOLD COMPONENTS.....	10
STRUCTURE COMPONENTS .....	12

## GUIDE TO USING THIS MANUAL

The model covered by this manual is listed on the front cover.

The information detailed in this manual is subject to change without notice. The latest version is indicated by the reprint date and replaces any earlier editions.

The front cover picture shows the type of product and may not necessarily be an exact image of the model covered by the manual.

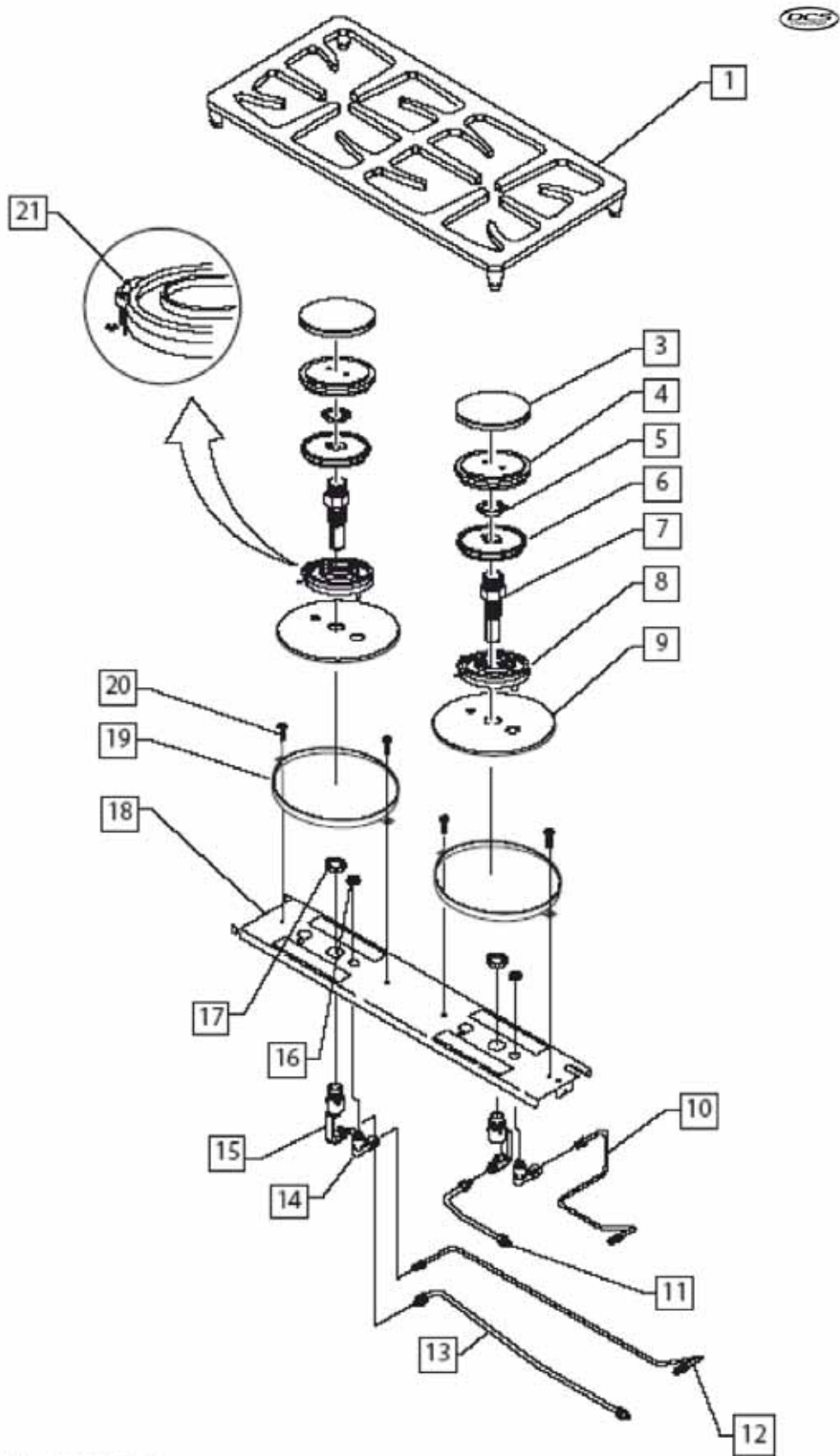
### Kit Parts

Kit components are shown in *italics*. Where a part number is shown against the descriptions for these kit components, they are also available as separate items. In addition, some parts may be supplied with these kits that are not available as separate items, and are therefore either not listed, or a part number is not shown against the part description in this manual.

### Parts List Key

<i>italics</i>	Kit components or parts included are shown in <i>italics</i> . Refer to above notes: Kit Parts.
NI	As a part reference, indicates the part is not illustrated on the diagram.
NOT USED	As a part number, indicates the diagram part reference is not used in this manual.

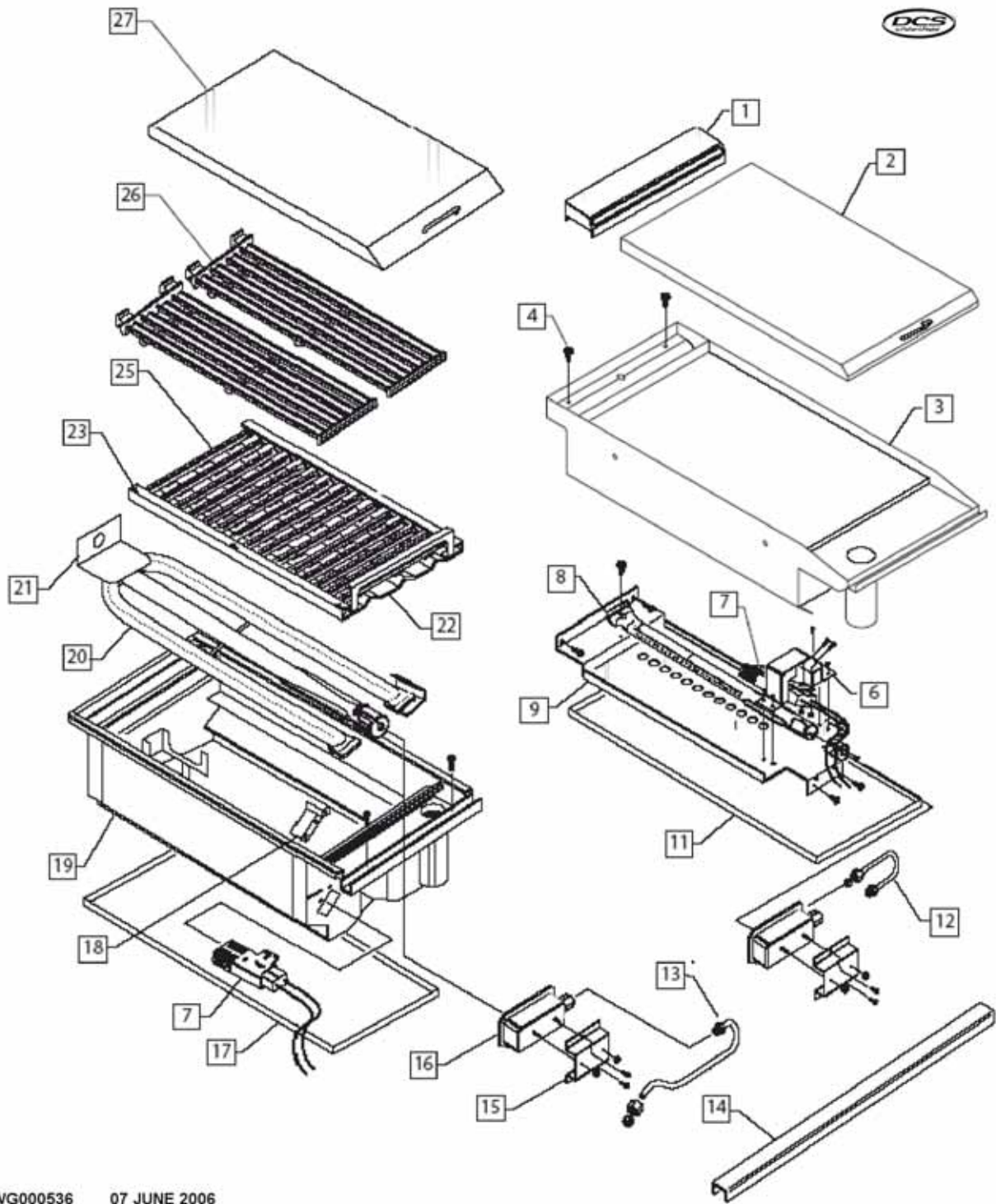
# BURNER COMPONENTS



## BURNER COMPONENTS

REF	PART	DESCRIPTION
1	210600	GRATE SIDES
	210466	GRATE CENTER
3	210608	D BURNER CAP
4	210610	RING D PORT
5	211518	NUT FOR VENTURI
6	210606	RING D SIMMER
7	210891	VENTURI
8	210654	D BASE ASSY
9	216694	VOLCANO PORC.
10	216875	TUBING SIMMER FRONT
11	216874	TUBING MAIN FRONT
12	216877	TUBING SIMMER REAR
13	216876	TUBING MAIN REAR
14	240405	JET HOLDER SIMMER D LP
	240404	JET HOLDER SIMMER NAT
15	210537	JET HOLDER D 17.5K
	210532	JET HOLDER MAIN D 15K LP
16	211502	NUT SIMMER JET HOLDER
17	210468	NUT M22 JET HOLDER
18	219119	KIT BURNER SUPPORT RGS/RDS 484
19	219119	KIT BURNER SUPPORT RGS/RDS 484
20	211238	SM 10 X 1/2 SL TD HWH SMS, ZIN
21	217994	KIT IGNITOR, SPRING AND CLIP

# GRILL & GRIDDLE COMPONENTS

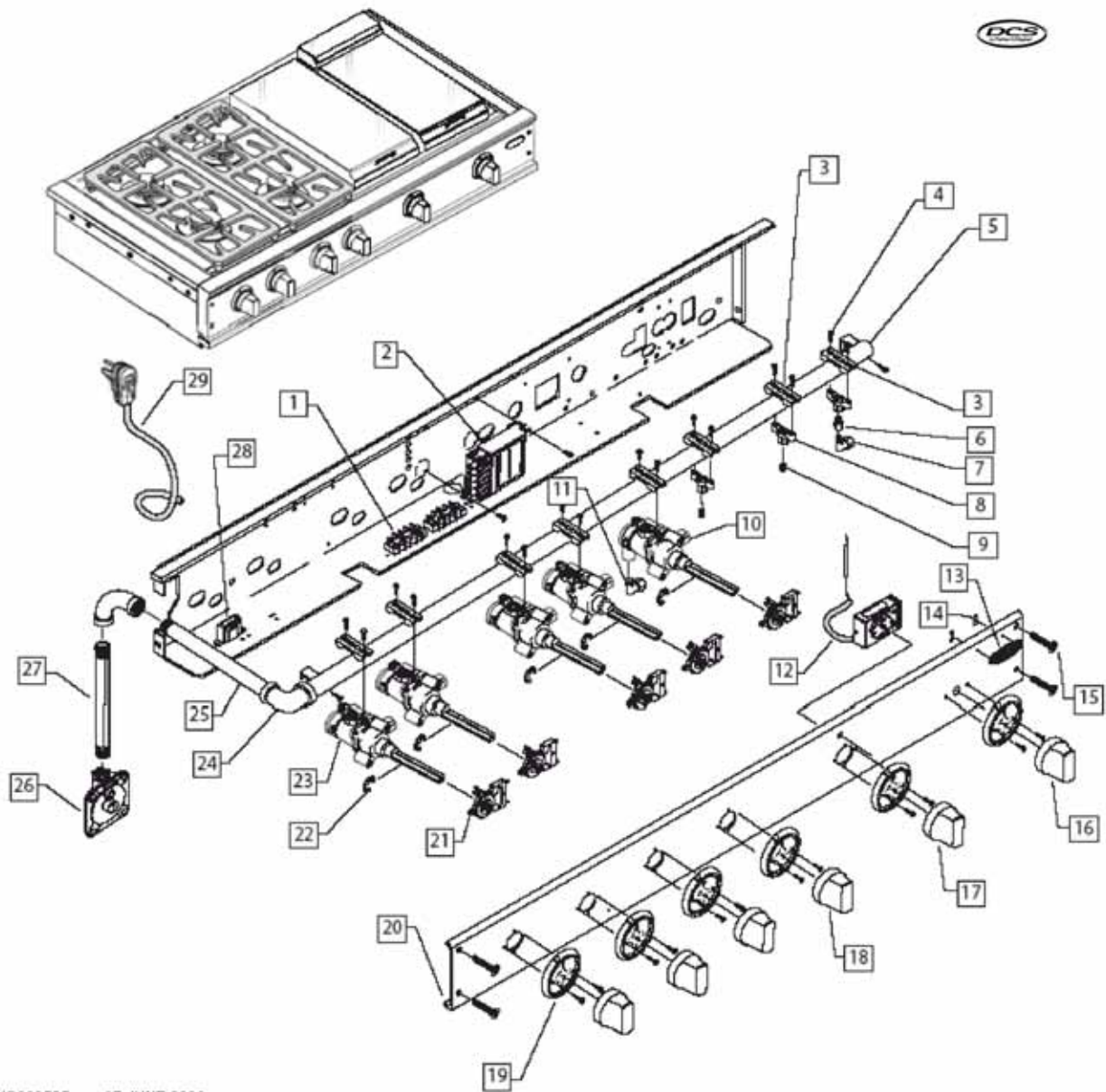


DWG000536 07 JUNE 2006

## GRILL & GRIDDLE COMPONENTS

REF	PART	DESCRIPTION
1	216854	GRIDDLE FLUE COVER W/A RDS
2	215987	GRIDDLE COVER ASSY. DCS
3	215766	GRIDDLE PLATE W/A
4	218137	MS 8-32X1PH TRUSS HDS/S(10 PK)
6	215770	GRIDDLE IGNITER BRKT.
7	211541	IGNITER - (SMALL)
8	210331	BURNER BROIL.& GRID. 18
9	231858	GRIDDLE BAFFLE RDS36/48
11	213377	DRIP PAN BROILER & GRIDDLE
12	232153	TUBING GRIDDLE
13	216898	TUBING FORM GRIDDLE/GRILL CS
14	215875	GRILL & GRID FRONT TRIM TOP
15	216941	BRACKET SAFETY VALVE CS
16	210803	SINGLE THERMAL VALVE (18K) NAT
17	213377	DRIP PAN BROILER & GRIDDLE
18	215982	BRACKET IGNITOR GRILL
19	216305	GRILL BOX W/A GE
20	237541	U-BURNER, GRILL/GRIDDLE DCS
21	215673	BURNER BRACKET
22	237540	RADIANT, GRILL RDS 36/48
23	237539	LOCK, RADIANT
25	214006	CERAMIC ROD 9.50
26	210466	CAST IRON GRATE
27	215990	GRILL COVER ASSY. DCS

# MANIFOLD COMPONENTS

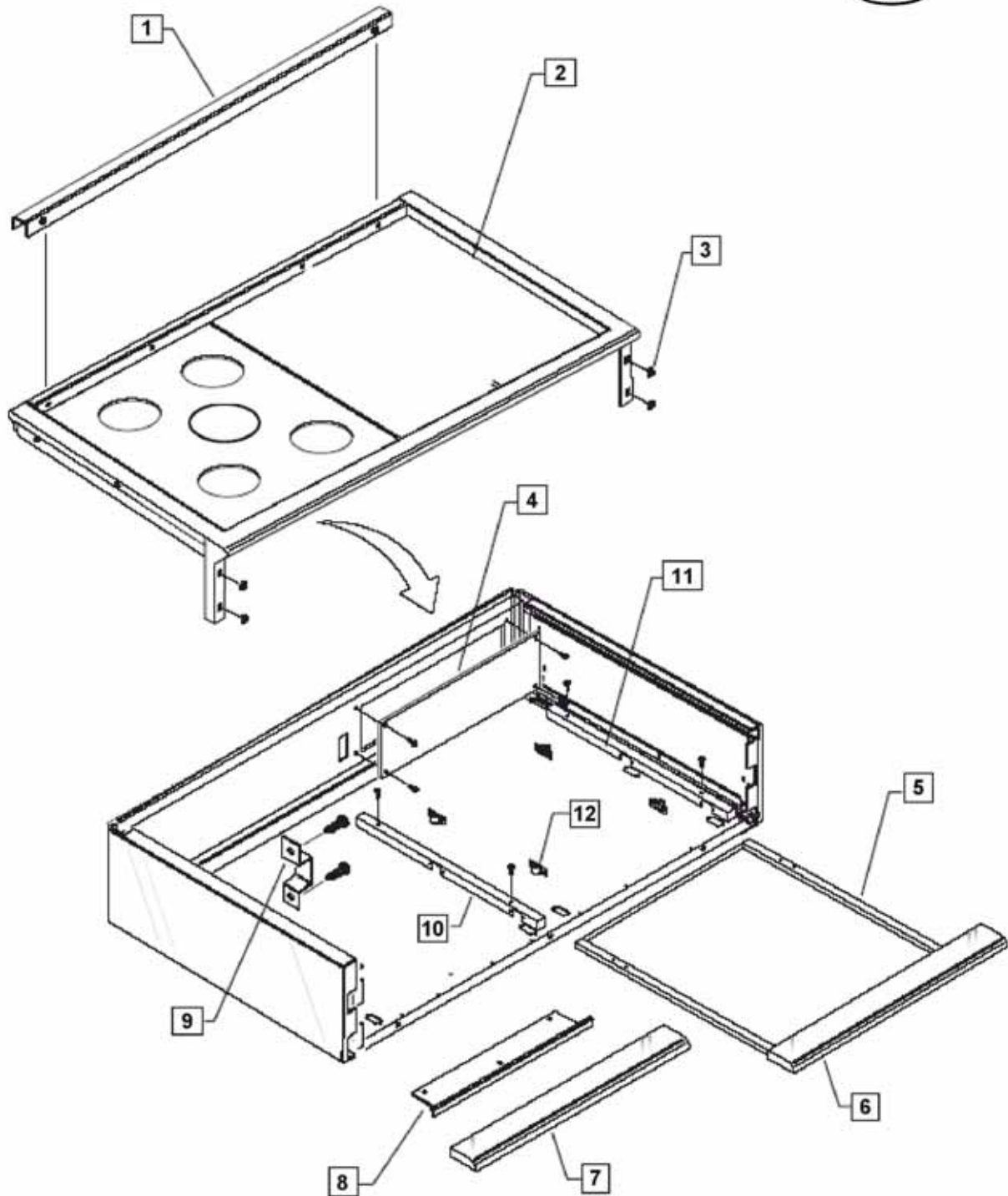


DWG000535 07 JUNE 2006

## MANIFOLD COMPONENTS

REF	PART	DESCRIPTION
1	211540	TERMINAL BLOCK
2	211812	REIGNITION MODULE 4PT
3	210506	CLAMP VALVE
4	211342	HEX HD BOLT 10-32 X 1 FULL ZN
5	221872	MANIFOLD W/A RD48
6	212265	ADAPTER 1/8 F NPT TO 1/8 M NPT
7	212122	ELBOW 3/8 T.O.D - 1/8 NPT (M)
8	211519	ADAPTER MANIFOLD TO 1/8 F NPT
9	211379	PIPE PLUG 1/8 HEX COUNTERSUNK
10	210892	VALVE GRILL BLACK .94mm NAT
	210893	VALVE GRILL RED .47mm LP
11	221773	ELBOW 3/8 T.O.D. X 1/8 (F)
12	210872	THERMOSTAT GRIDDLE 18 LG
13	211997	LOGO, DCS, 3 1/8
14	211419P	LOGO - CLIP (2 PACK)
15	211300	SCREW 8-32 X 1 TORX FL HD
16	211017	KNOB THERMOSTAT OVEN/GRIDDLE
17	211172	KNOB GRILL RDS/RGS/CS
18	211190	KNOB SURF BURNER INTERIM
19	210935	BEZEL, CHROME PLATED
	210936	BEZEL (PLATED) BRASS
20	216865	VALVE PANEL CS484GG PTD
21	211804	SWITCH IGNITOR
22	210508P	C-CLIP VALVE STEM (PKD)
23	210896	VALVE DUAL FLOW 6 OC NAT
	210897	VALVE DUAL FLOW D LP
24	212164	ELBOW 1/2 - 1/2 FEMALE
25	221766	PIPE 1/2 NPT X 20.00 L
26	210663	REGULATOR LP/NG
27	212128	INTAKE PIPE 1/2 NPT X 5.5
28	211843	TRANSFORMER, 240V, 25mA
29	211860	CORD SET POWER SUPPLY RGS/CS

# STRUCTURE COMPONENTS



DWG000533 07 JUNE 2006

## STRUCTURE COMPONENTS

REF	PART	DESCRIPTION
1	216863	BACK TRIM
2	216870	COOKTOP W/A CS484
3	211410	NUT W/RET 8-32
4	215993	SERVICE PANEL RG36/48
5	215672	DRIP PAN R/H
6	217473	HANDLE DRIP PAN W/A CS48 SS
	216313	DRIP PAN HANDLE PLATED BRASS
7	217473	HANDLE DRIP PAN W/A CS48 SS
	233978	HNDL DRIP PAN CS48 PLTD BRASS
8	216744	BRACKET DRIP PAN HANDLE LEFT
9	232225	BRACKET PIPE HOLD
10	216168	GUIDE CENTER DRIP PAN RD
11	215954	GUIDE DRIP PAN
12	211024	ROLLER