



THE CONVENTIONAL MICROWAVE

Parts List



MODEL:
MO-24SS
PRODUCT CODE:
70429



PRODUCT

Brand	DCS
Voltage	110V 60Hz
Model	MO-24SS
Product Code	70429

Fisher & Paykel Appliances

5900 Skylab Road, Huntington
Beach, CA 92647

Customer Care: (888) 281-5698

Fax: (714) 372-7003

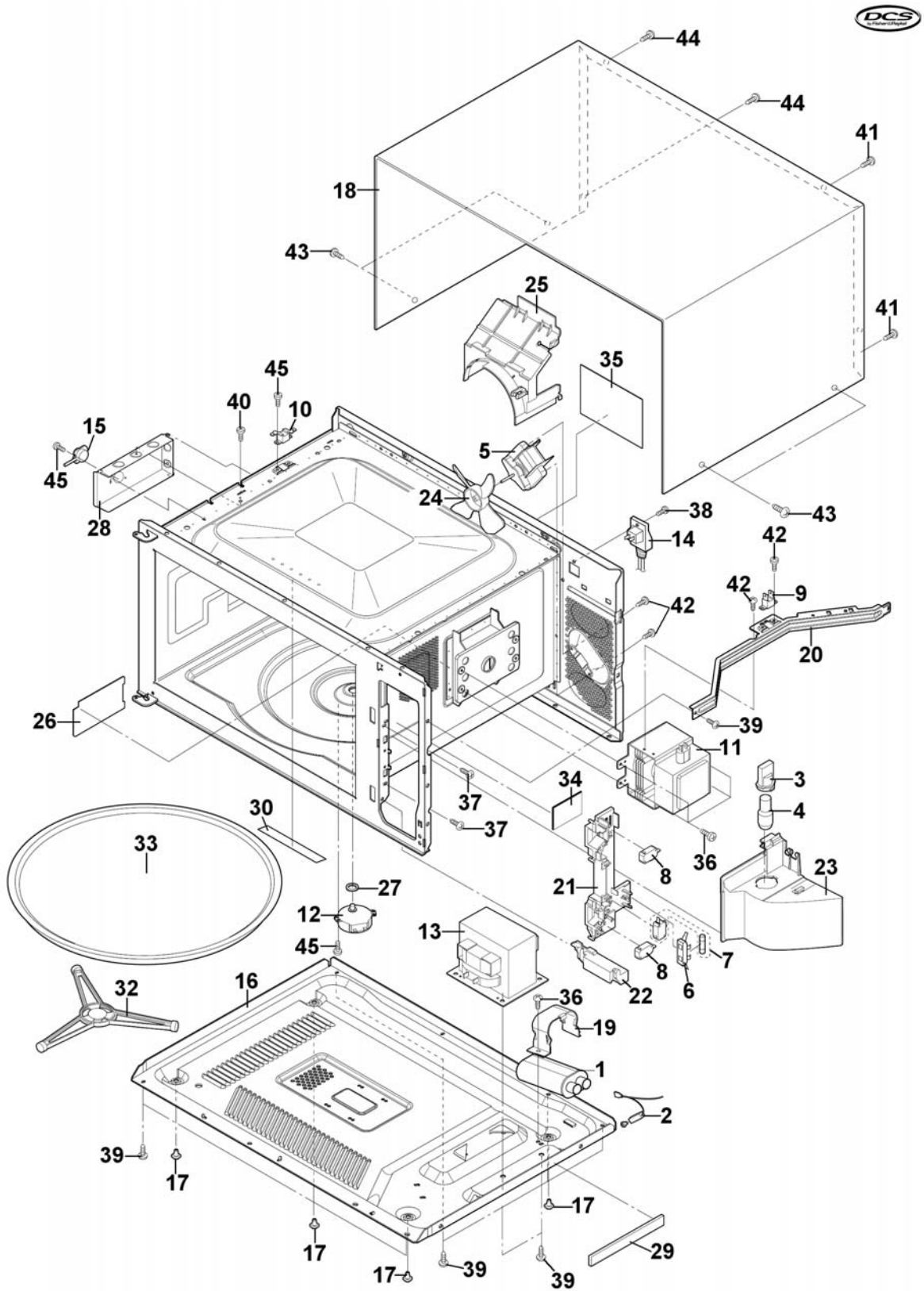
www.dscappliances.com

support@dscappliances.com

CONTENTS

CABINET COMPONENTS6
CONTROL PANEL COMPONENTS11
DOOR COMPONENTS13
WIRING HARNESS COMPONENTS15

CABINET COMPONENTS



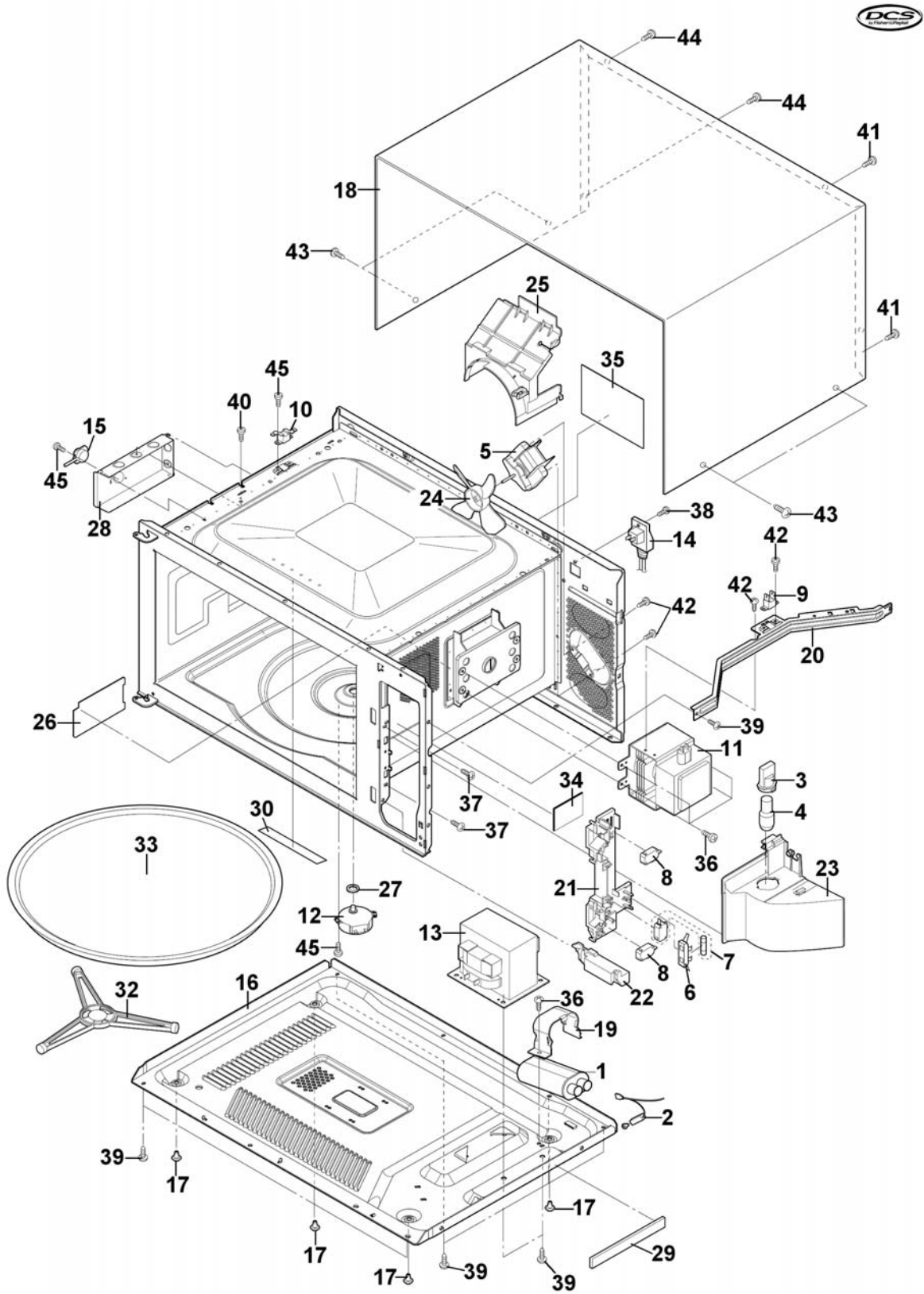
DWG000718 16 AUGUST 2006

CABINET COMPONENTS

REF	PART	DESCRIPTION
1	212535	HIGH VOLTAGE CAPACITOR
2	212497	HIGH VOLTAGE RECTIFIER ASSY
3	212532	OVEN LAMP SOCKET
4	212536	OVEN LAMP (RLMPTA068WRE0)
5	212539	FAN MOTOR (RMOTEA346WRE0)
6	212529	FUSE HOLDER
7	212496	MONITOR SWITCH & FUSE ASSY
8	212533	SECONDARY INTERLOCK/SENSING SW
9	212530	MAGNETRON TEMP FUSE 150 1/2C
10	212531	CAVITY TEMP FUSE 150 1/2C
11	212541	MAGNETRON (RV-MZA255WRE0)
12	212538	TURNTABLE MOTOR(RMOTDA211WRE0)
13	212540	POWER TRANSFORMER
14	212492	POWER SUPPLY CORD
15	212495	AH SENSOR (FDTCTA206WRKZ)
16	212505	BASE PLATE (GDAI-B061MRP0)
17	212506	FOOT (GLEGPB004MRF0)
18	212503	OUTER CASE CABINET
NI	239004	MAG TUB DAMPENER
NI	239005	OUTER CASE DAMPENER
19	212509	H.V. CAPACITOR BAND
20	212508	CHASSIS SUPPORT(LANGTB049MRP0)
21	212526	LATCH HOOK (PHOK-B018MRF0)
22	212515	SWITCH LEVER (MLEVPB016MRF0)
23	212523	MAGNETRON DUCT(PDUC-B104MRF0)
24	212518	FAN BLADE (NFANPB006MRE0)
25	212522	FAN DUCT (PDUC-B088MRF0)
26	212520	WAVEGUIDE COVER (SERIAL NUMBERS 111112 TO 412750)
	240794	WAVEGUIDE COVER (POST SERIAL NUMBER 500001)
27	212527	TURNTABLE MOTOR PACKING
28	212524	SENSOR DUCT (PDCU-B106MRP0)
29	212521	CUSHION (PCUSU0464MRE0)
30	212546	CAVITY HOLE COVER
32	212499	TURNTABLE SUPPORT
33	212519	TURNTABLE TRAY(NTNT-A099WRE0)
34	212543	MONITOR CAUTION LABEL
35	212544	DHHS/SCREW CAUTION LABEL
NI	212545	OPERATION MANUAL
36	212511	SPECIAL SCREW (LX-BZA041WRE0)
37	212512	SPECIAL SCREW (LX-CZ0052WRE0)
38	212551	SCREW 4MM X12MM(XHTSD40P12RV0)
39	212552	SCREW 4MM X12MM(XOTSD40P12000)
40	212547	SCREW 3MM X 8MM(XCBSD30P0800)
41	212513	SPECIAL SCREW (LX-CZA038WRE0)
42	212550	SCREW 4MM X 8MM(XHTSD40P08V0)

Continued next page

CABINET COMPONENTS

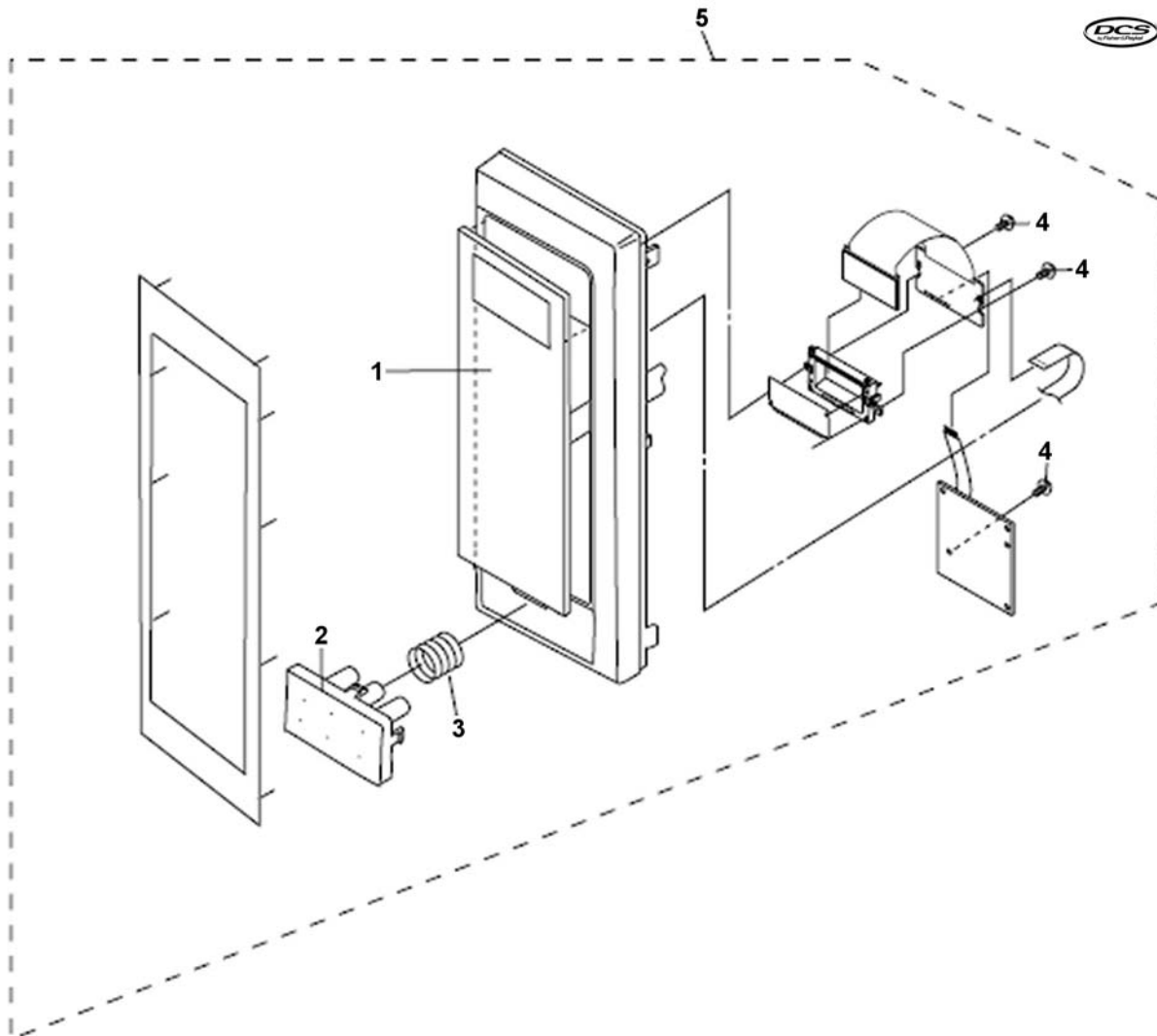


DWG000718 16 AUGUST 2006

CABINET COMPONENTS

REF	PART	DESCRIPTION
43	212553	SCREW 4MM X12MM(XOTSE40P12000)
44	212514	SPECIAL SC (TORX TAMPER PROOF)
45	212548	SCREW 3MM X 8MM(XCPSD30P08000)

CONTROL PANEL COMPONENTS

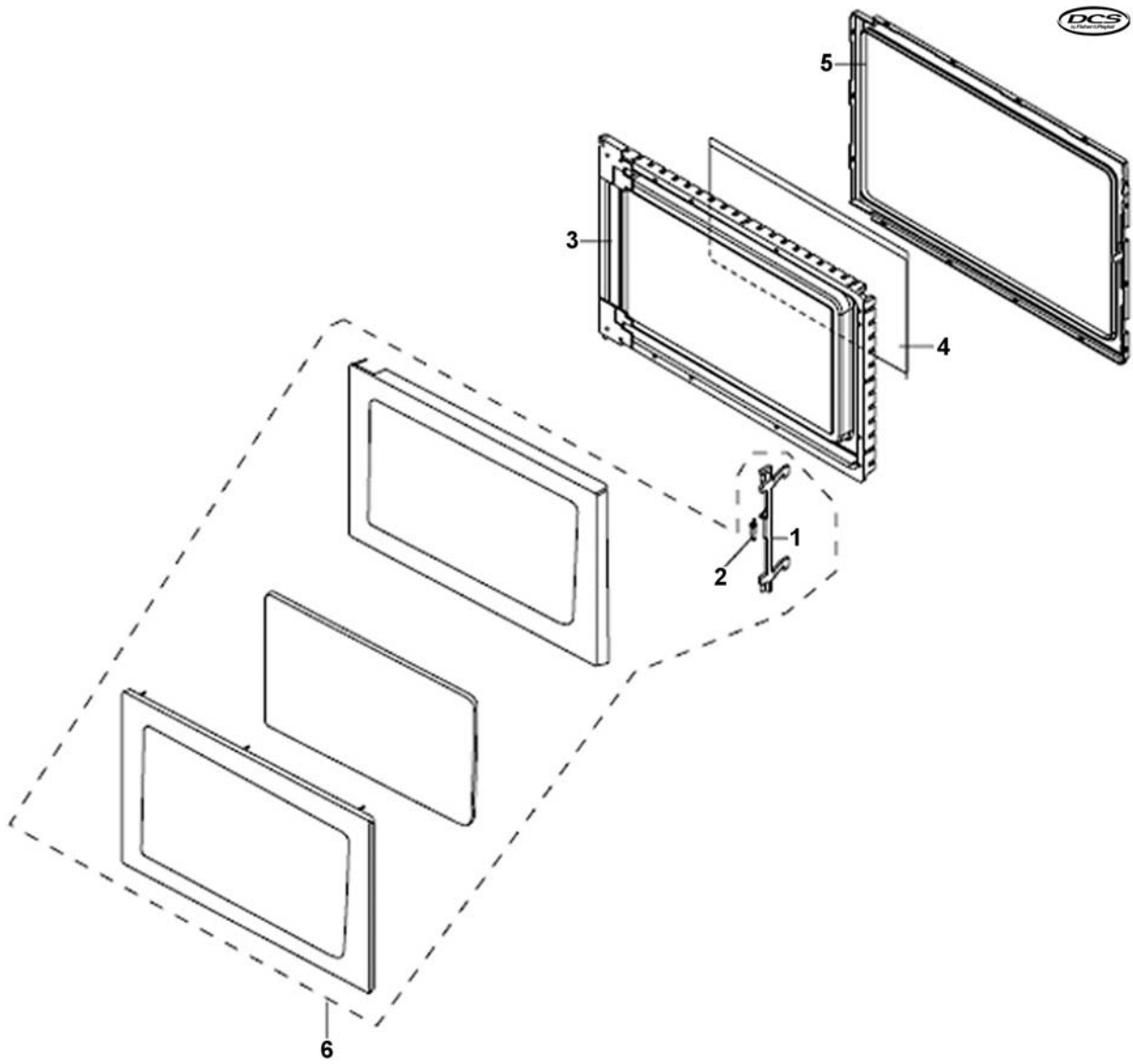


DWG000719 16 AUGUST 2006

CONTROL PANEL COMPONENTS

REF	PART	DESCRIPTION
1	212500	KEY UNIT (FUNTKB286MRE0)
2	212507	OPEN BUTTOM (JBTN-B105MRF0)
3	212517	OPEN BUTTOM SPRING
4	212549	SCREW 3MM X10MM(XEPSD30P10XS0)
5	212554	POWER DOOR ASSY

DOOR COMPONENTS

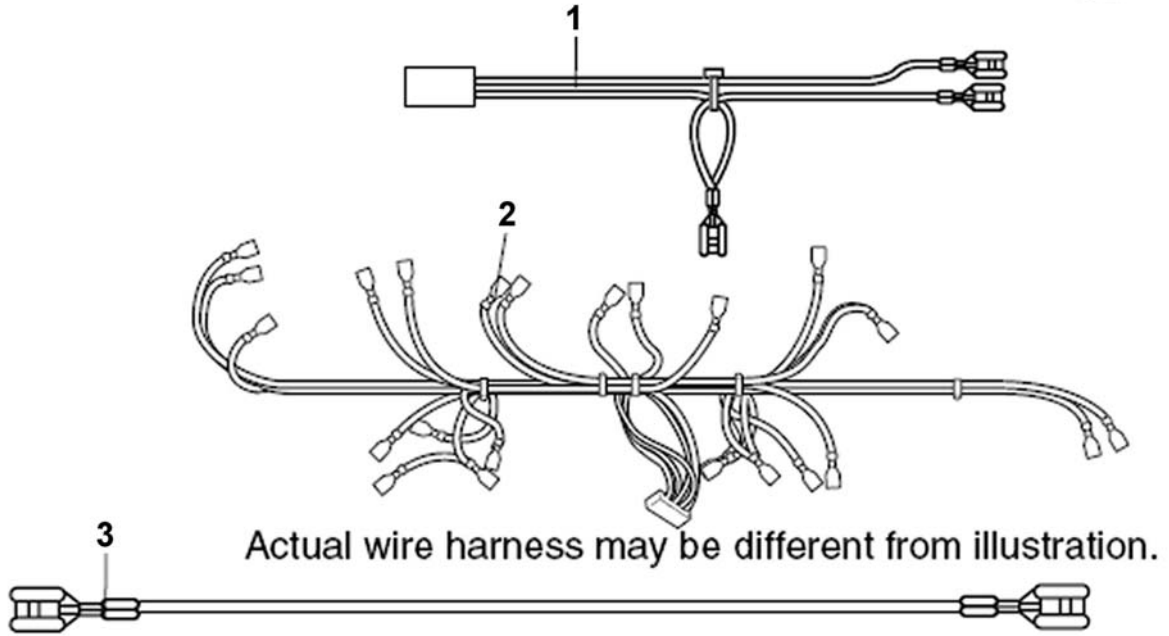


DWG000720 16 AUGUST 2006

DOOR COMPONENTS

REF	PART	DESCRIPTION
1	212510	LATCH HEAD (LSTPPB021MRF0)
2	212516	LATCH SPRING (MSPRTA046WRE0)
3	212494	DOOR PANEL (FDORFB049MRT0)
4	212528	SEALER FILM (PSHEPB016MRE0)
5	212504	CHOKE COVER (GCOVHB039MRF0)
6	212493	DOOR FRAME ASSEMBLY

WIRING HARNESS COMPONENTS



DWG000721 16 AUGUST 2006

WIRING HARNESS COMPONENTS

REF	PART	DESCRIPTION
1	212501	STOP SWITCH HARNESS
2	212502	MAIN WIRE HARNESS
3	212534	HIGH VOLTAGE WIRE A