

This Owner's Manual is provided and hosted by [Appliance Factory Parts](#).



# FISHER & PAYKEL DD24DPT Owner's Manual

[Shop genuine replacement parts for FISHER & PAYKEL  
DD24DPT](#)



[Find Your FISHER & PAYKEL Dishwasher Parts - Select From 34 Models](#)

----- Manual continues below -----

# Installation instructions

DishDrawer®

DD24DT models

## Important!

### SAVE THESE INSTRUCTIONS

The models shown in this document may not be available in all markets and are subject to change at any time. For current details about model and specifications, visit our website [www.dcsappliances.com](http://www.dcsappliances.com) or contact your local DCS Customer Care Representative.

## ① SAFETY AND WARNINGS

### ⚠ WARNING!

#### Electrical hazard

Before installing the DishDrawer®, remove the house fuse or open the circuit breaker.

If permanently connecting the DishDrawer®, be sure the power is isolated and the DishDrawer® unplugged.

#### GROUNDING INSTRUCTIONS

This appliance must be grounded. In the event of a malfunction or breakdown, grounding will reduce the risk of electric shock by providing a path of least resistance for electric current. This appliance is equipped with a cord having an equipment-grounding conductor and a grounding plug. The plug must be plugged into an appropriate outlet that is installed and grounded in accordance with all local codes and ordinances. **WARNING** - Improper connection of the equipment-grounding conductor can result in a risk of electric shock. Check with a qualified electrician or service representative if you are in doubt as to whether the appliance is properly grounded.

If the DishDrawer is installed as a permanently connected appliance: **GROUNDING INSTRUCTIONS** - This appliance must be connected to a grounded metal, permanent wiring system, or an equipment-grounding conductor must be run with the circuit conductors and connected to the equipment-grounding terminal or lead on the appliance.

Do not modify the power supply plug provided with the appliance - if it will not fit the outlet, have a proper outlet installed by a qualified electrician. Do not use an extension cord, adapter plug or multiple outlet box.

Failure to follow this advice may result in electrical shock or death.



### ⚠ WARNING!

#### Cut hazard

Take care - panel edges are sharp.

Failure to use caution could result in injury or cuts.

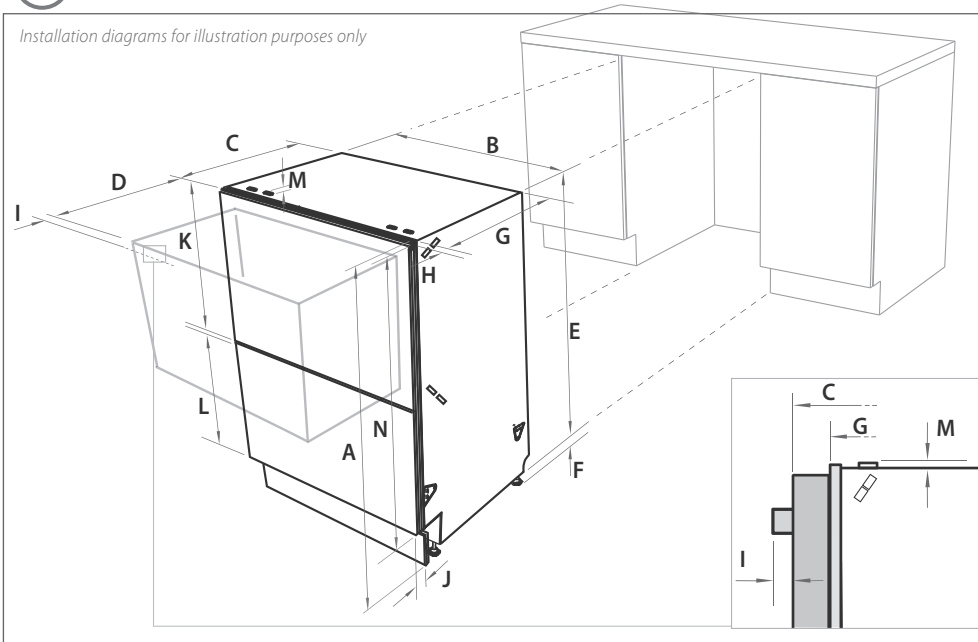


### Important safety instructions

- Installation of this DishDrawer® requires basic electrical skills.
- Be sure to leave these Instructions with the DishDrawer®.
- Installation must comply with your local building codes.
- At the completion of the DishDrawer® installation, please refer to the Final Check List.
- Remove all packaging materials supplied with the DishDrawer®.
- This DishDrawer® is manufactured for indoor use only.
- Ensure all water connections are turned OFF. Consult a qualified electrician to ensure that each installation complies with local codes.
- The DishDrawer® **MUST** be installed to allow for proper ventilation.
- The switched power outlet must be outside the DishDrawer® enclosure.
- Care should be taken when the appliance is installed near the power supply cord.
- If the DishDrawer® is to be relocated from one location to another, damage from water spillage.
- Make sure only new hoses are used for connections. Old hoses should be reused.
- Failure to install the DishDrawer® correctly could result in damage to the product.
- If the product is installed in a motor vehicle, boat or mobile facility containing the product, please refer to the technician's travel to the location of the product.

## ② PRODUCT DIMENSIONS

Installation diagrams for illustration purposes only



Product dimensions (inches (mm))

Prefinished  
Flat door  
DD24DT

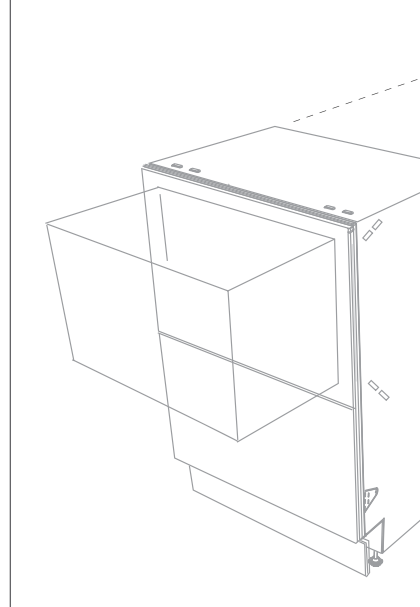
A	overall height* of product	34 - 36 <sup>3</sup> / <sub>8</sub> " (863.5- 923.5)
B	overall width of product	23 <sup>13</sup> / <sub>16</sub> " (605)
C	overall depth of product (excl. curvature/handle)	22 <sup>11</sup> / <sub>16</sub> " (577)
D	depth of drawer (open) (excl. curvature/handle)	21 <sup>7</sup> / <sub>16</sub> " (545)
E	height* of chassis	33 <sup>9</sup> / <sub>16</sub> " (853)
F	height range of levelling feet	2 <sup>3</sup> / <sub>8</sub> " (60)
G	depth of chassis (incl. trimseal)	21 <sup>3</sup> / <sub>4</sub> " (552)
H	depth of drawer front panel (excl. curvature/handle)	1" (25)
I	depth of handle	3 <sup>3</sup> / <sub>16</sub> " (81)
J	depth of toe kick	2 <sup>1</sup> / <sub>4</sub> - 4 <sup>5</sup> / <sub>8</sub> " (57 - 117)
K	height of upper drawer front	17 <sup>3</sup> / <sub>8</sub> " (442)
L	height of lower drawer front	12 <sup>5</sup> / <sub>16</sub> " (312)
M	height of installation bracket slots (on top of chassis)	<sup>1</sup> / <sub>16</sub> " (2)
N	height of drawer fronts	30" (762)

\* Chassis heights include bracket slots

Note: height from top of handle to top of drawer - 2 <sup>7</sup>/<sub>16</sub>" (62 mm).

## ③ CABINETY DIMENSIONS

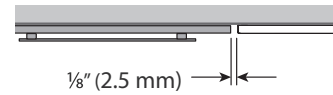
Installation diagrams for illustration purposes only



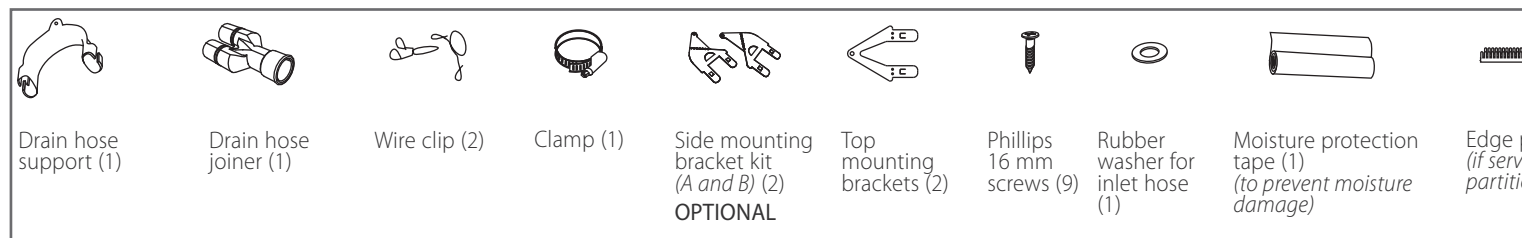
Cabinetry dimensions (inches (mm))

A	inside height of cavity
B	inside width of cavity
C	inside depth of cavity (inside)
D	height of adjacent cabinetry
E	height of toe kick space

Minimum clearances (inches (mm))



## 4 PARTS SUPPLIED



If the Drain hose(s) supplied are not long enough to reach your services, you **must** use a Drain Hose Extension Kit P/N 525798 which will extend the drain hose(s).  
DCS Authorized Service Agent, or Toll free 1.888.936.7872 or [www.dcsappliances.com](http://www.dcsappliances.com).

## 5 CAVITY PREPARATION

### Important!

Be sure the edges of the services hole are smooth or covered. If the services hole is through a metal partition the hole must be protected with the Edge protector supplied to prevent damage to the power cord or hoses.

- ◆ These marks indicate mounting bracket screw locations
- \* Preferred position. If adequate clearance, services hole can be higher to clear toekick space.  
If hole is higher, ensure drain hose(s) are routed straight into the waste connection.

#### Water Connection

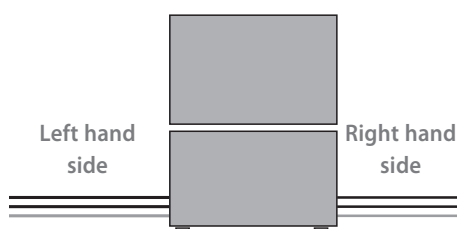
Recommended **HOT** (Maximum 140°F/60°C).  
Supplied hose to suit 3/8" (9 mm) male compression fitting.

#### Water Pressure

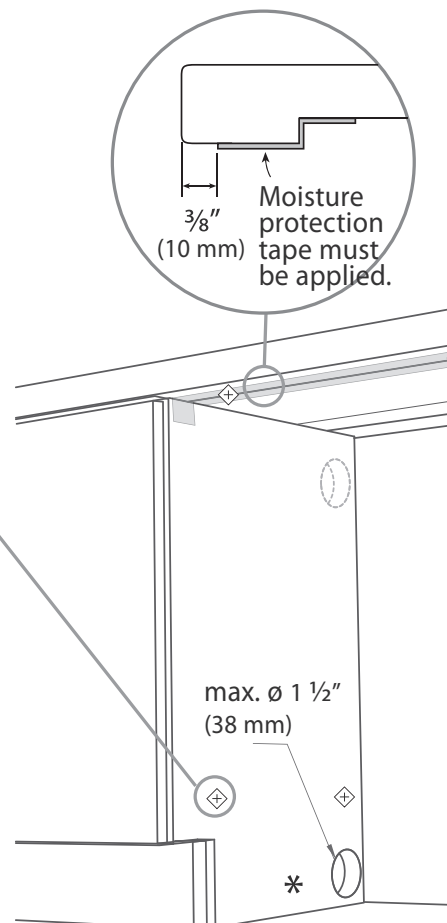
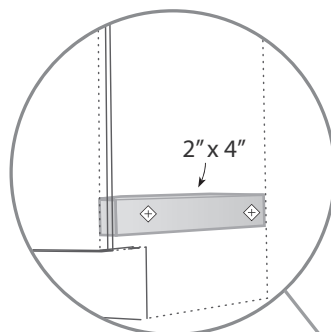
	<b>Max</b>	<b>Min</b>
Water softener models	1 MPa (145 psi)	0.1 MPa (14.5 psi)
Other models	1 MPa (145 psi)	0.03 MPa (4.3 psi)

- Drains will need to be separated to satisfy kosher requirements. We suggest you confirm acceptability with your local rabbi in respect to kosher installations.

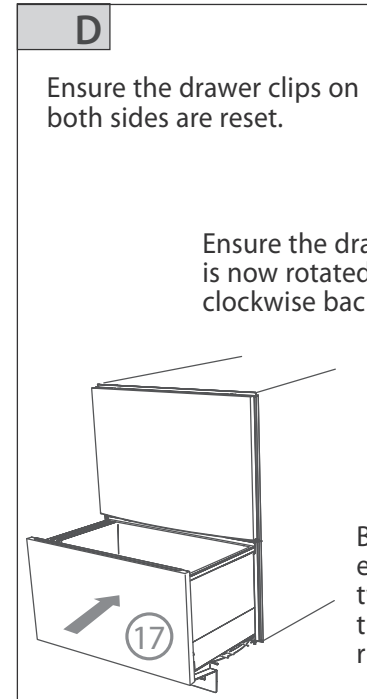
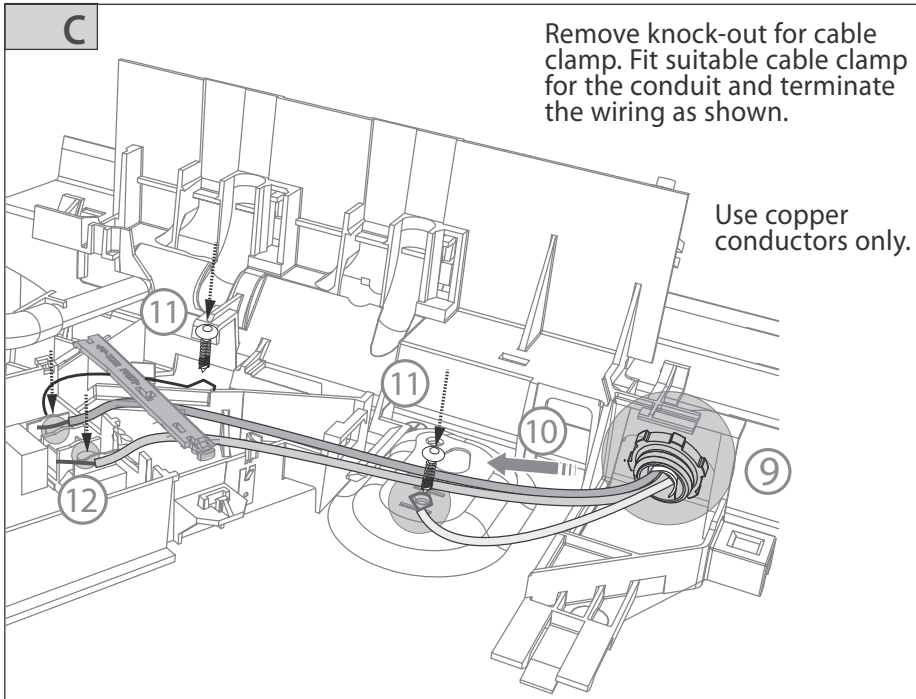
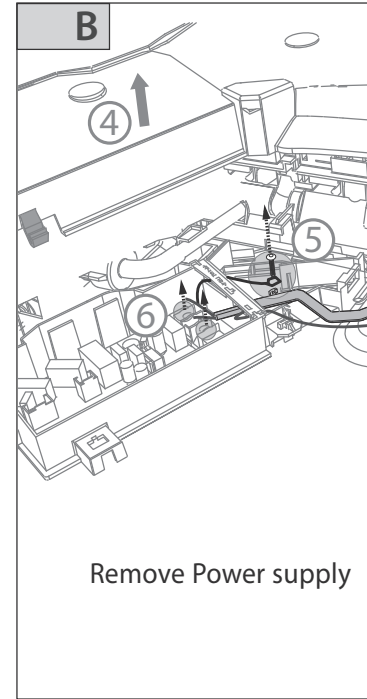
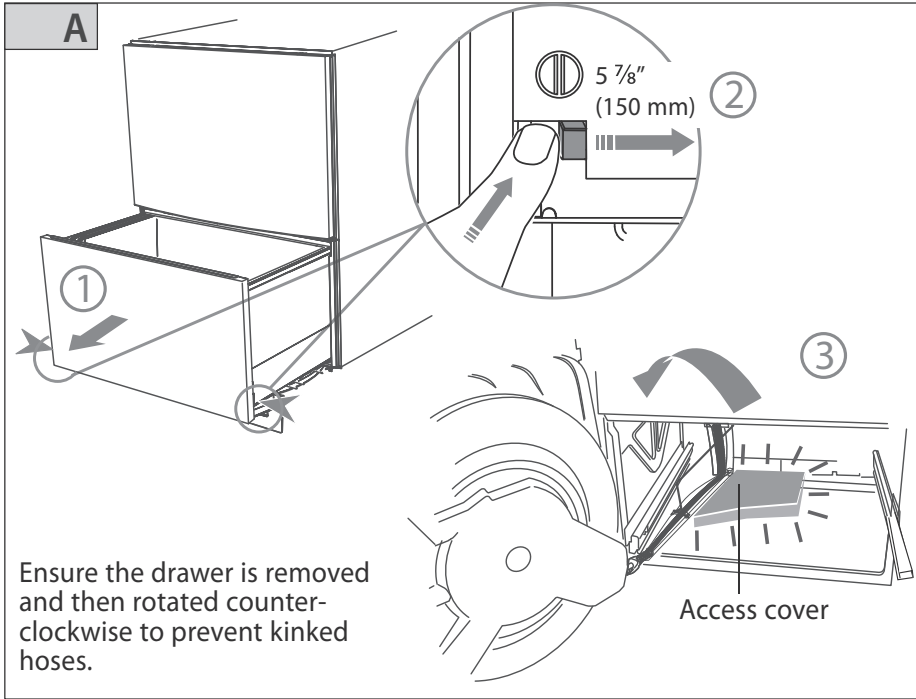
Max. distance of hoses and cord from chassis edge	Left hand side	Right hand side
Drain hose	78 1/2" (2000 mm)	70 1/2" (1800 mm)
Inlet hose	64 3/4" (1650 mm)	49" (1250 mm)
Power cord (excl. plug)	29 1/2" (750 mm)	27 1/2" (700 mm)



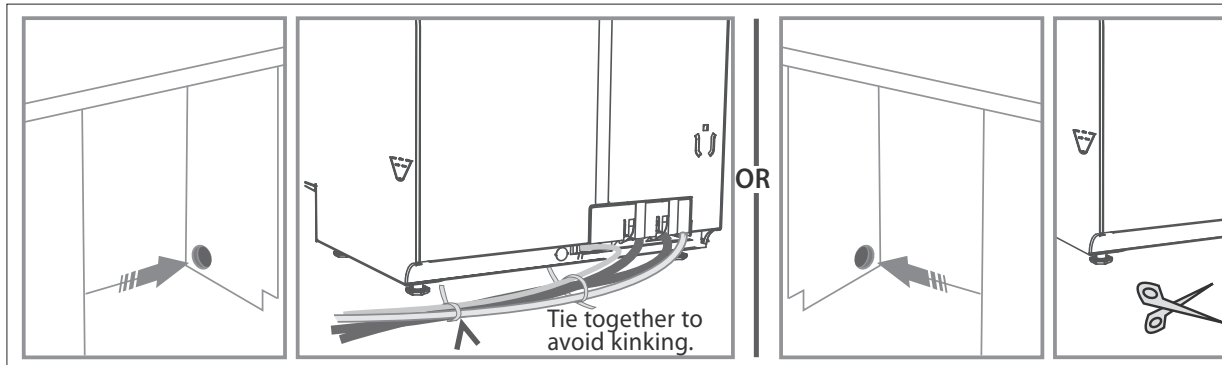
If no side partition, use a brace for securing.



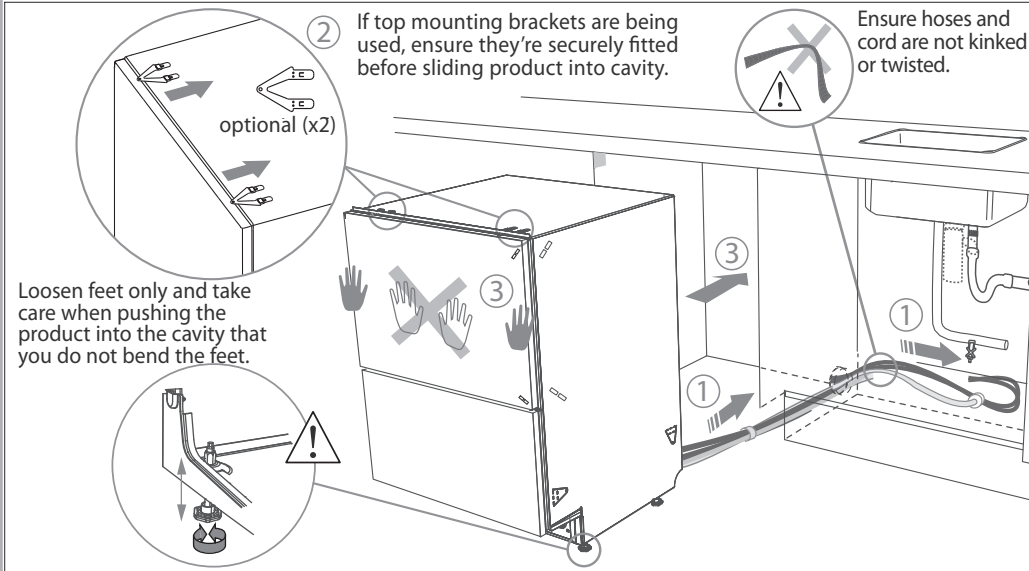
## ⑥ OPTIONALLY HARD WIRING THE PRODUCT



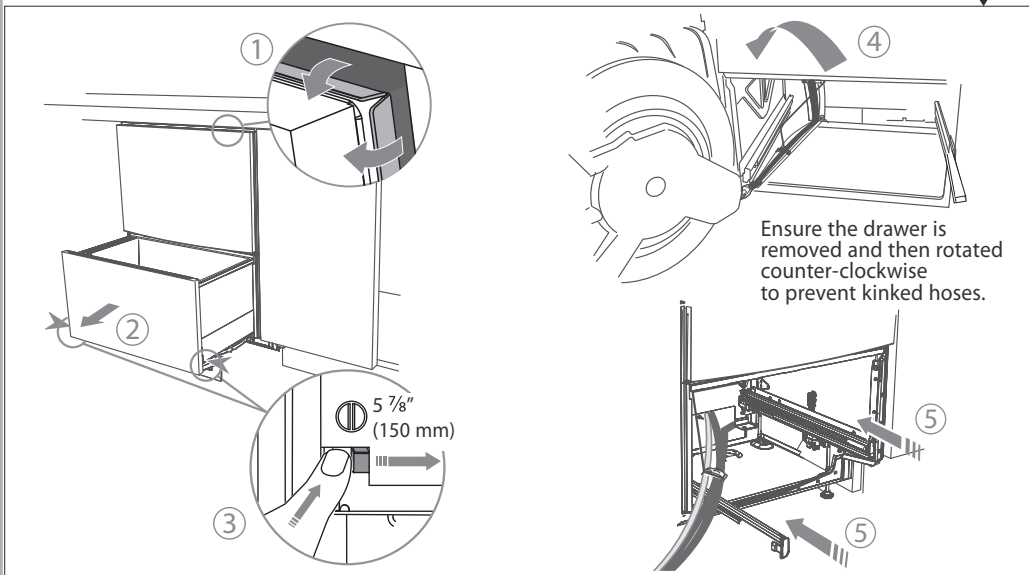
## ⑦ ROUTE THE HOSES



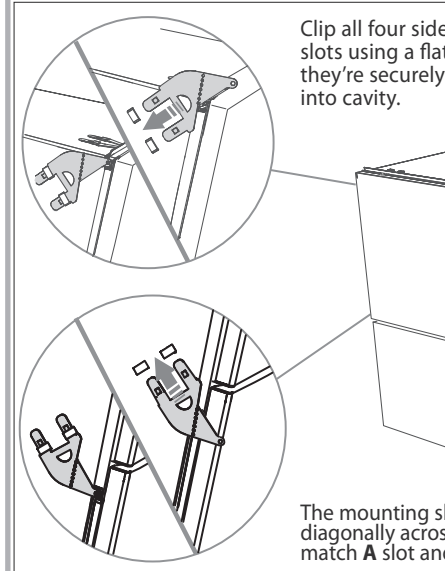
8 MOVE INTO THE CAVITY



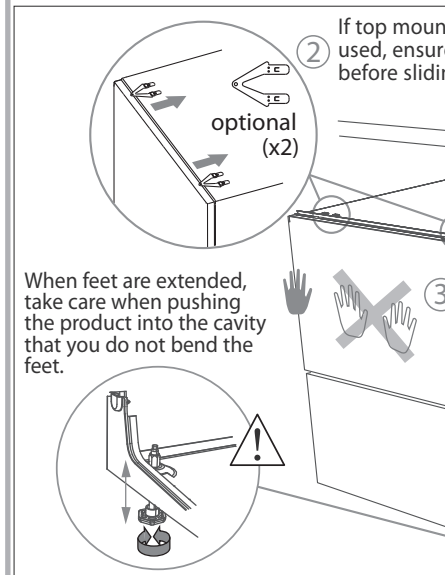
9 REMOVE THE DRAWER



8 ATTACH SIDE MOUNTING BRACKET



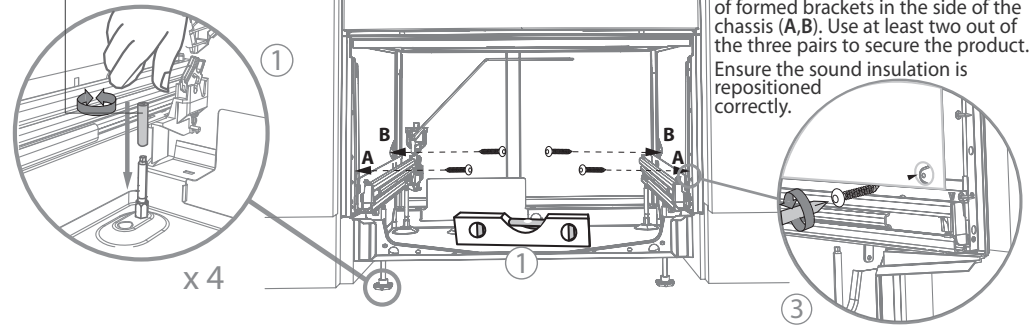
9 MOVE INTO THE CAVITY



## 10 LEVEL AND SECURE THE PRODUCT

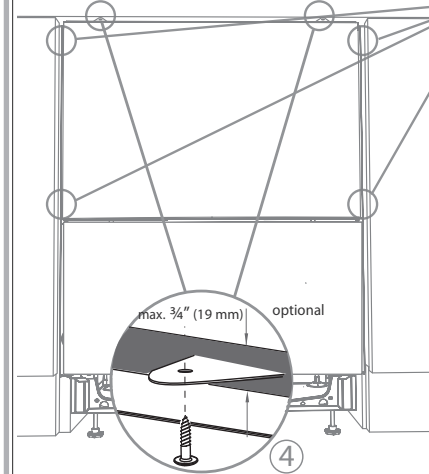
Ensure product is level and aligning with cabinetry. Using the most appropriate length Hexagonal socket supplied, fully extend levelling feet up to required distance by hand.

Hexagonal socket

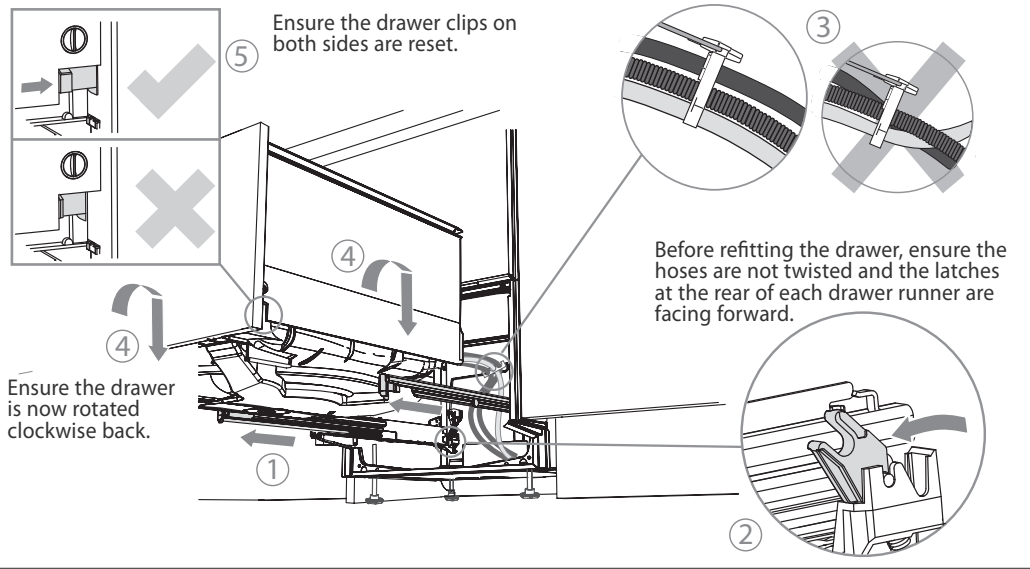


## 10 SECURE THE PRODUCT

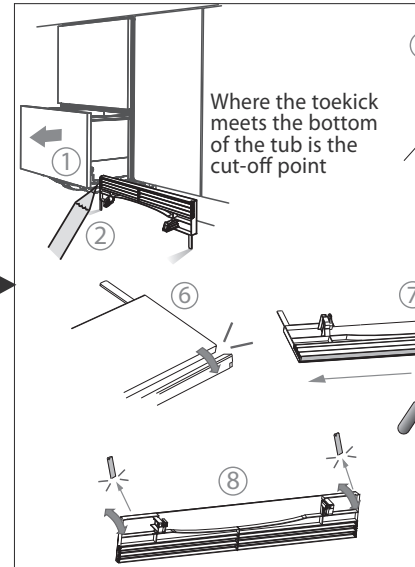
Open the upper drawer halfway. Using a flat-bladed screwdriver, prize the plastic gray plug out of the trim moulding.



## 11 REFIT THE DRAWER



## FINALLY, FOR BOTH MET



# 12 PLUMBING AND DRAINAGE OPTIONS

**A DishDrawer® with Waste Disposal** ②

If space is limited for fixing, push hose through drain hose support to required height

29 1/2" - 34 3/4" (750 - 882.5 mm)

HIGHLOOP min. 6" (150 mm)

min. R 8" (200 mm)

Supplied drain hose joiner (Ø 3/4" (19 mm)) waste tee

③

**B DishDrawer® using Air Break with Drain Hose Joiner** ①

Supplied drain hose joiner (Ø 3/4" (19 mm)) waste tee

Air Break

37 3/8" (950 mm) Max. height to top of Air Break (countertop or wall mounted)

Fit supplied washer

Ensure hoses are routed straight to joiner. Remove excess hose material if necessary.

④

⑤

⑥

⑦

Fit supplied washer

Ensure hoses are routed straight to joiner. Remove excess hose material if necessary.

④

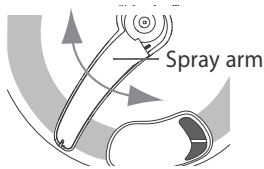
⑤

⑥

⑦

## 13 FINAL CHECKLIST

- ✓
- Check all parts are installed.
- Ensure product is level, securely fastened to the cabinetry and opens and closes freely. The DishDrawer® must be free to fully close with no resistance from the cabinetry.
- Ensure inlet hose to water supply has rubber washer fitted and is tightened a further half turn after seal contact.
- Ensure any knockouts or plugs in drain connection have been drilled out and drain connection has been made.
- The drain hose joiner must not support the weight of excess hoses. Keep hoses as fully extended as possible to prevent sagging. Any excess length of hose should be kept on the dishwasher side of the high loop.
- If using Plumbing and Drainage OPTION A, ensure the Highloop is a minimum 6" (150 mm) higher than the drain hose joiner.
- Turn on the power and water supply. Then press the Power (⏻) button to turn the DishDrawer® on. The DishDrawer® should beep and Wash Programme lights light up.
- Check the spray arm is in place and free to rotate.



- Add three cups of water into the DishDrawer®. On the Wash Programme Selector Panel press Rinse and close the drawer(s). Start the programme by pressing the Start/Pause (▶||) button.
- After the Rinse programme has finished, ensure machine has run and drained correctly.
- Check water supply and drainage connection for leakage.

**Repeat for each drawer.**

## 14 TROUBLESHOOTING

- **Excessive water remaining**  
Check for kinked drain hose, ensure drain hose is properly installed or drain pump is not blocked.
- **No water supply**  
Check water is connected to the inlet valve and free to rotate.
- **No lights come on when power is turned on.**  
Ensure power is connected to the unit and switched on.
- **Water around water supply connection.**  
Check connections, ensure the drain hose clamps are correctly fitted.
- **If product is tipping**  
Ensure the product is secured to the cabinetry.
- **If front panels are misaligned**  
Check and relevel product.
- **Drawer(s) don't close properly**  
Ensure nothing is obstructing the drawer(s), such as insulation, hoses or drawers.
- **If a problem occurs, consult the User guide for warranty details or contact us through our support channels.**