



THE PROFESSIONAL ISLAND VENT HOOD

Installation Guide



MODELS:
IVS40
IVS52



A MESSAGE TO OUR CUSTOMERS

Thank you for selecting this DCS Professional Island Vent Hood. Because of this appliance's unique features we have developed this Installation Guide. It contains valuable information on how to properly install your new appliance for years of safe and enjoyable cooking.

For your convenience, product questions can be answered by a DCS Customer Care Representative by phone: 1-888-936-7872, or email: customer.care@fisherpaykel.com.

NOTE: Please write the Model, Code, and Serial Numbers on this page for references (located on the inside of the top panel on the left, behind the rear back filter, above the motor assembly)

MODEL NUMBER _____ CODE _____ SERIAL NUMBER _____

NOTE: Inspect the product to verify that there is no shipping damage. If any damage is detected, call the shipper and initiate a damage claim. DCS by Fisher & Paykel is not responsible for shipping damage.

DO NOT discard any packing material (box, pallet, straps) until the unit has been inspected.

APPROVED FOR RESIDENTIAL APPLIANCES AND RESIDENTIAL USE ONLY.

PLEASE READ ENTIRE INSTRUCTIONS BEFORE PROCEEDING.

Installation must comply with all local codes.



WARNING

If the information in this manual is not followed exactly, a fire or explosion may result causing property damage, personal injury or death.

Do not store or use gasoline or other flammable vapors and liquids in the vicinity of this or any other appliance.



DANGER

If You Smell Gas:

- Do not try to light any appliance.
- Do not touch any electrical switch; do not use any phone in your building.
- Immediately call your gas supplier from a neighbor's phone. Follow the gas supplier's instructions.
- If you cannot reach your gas supplier, call the fire department.
- Installation and service must be performed by a qualified installer, service agency or the gas supplier.

PLEASE RETAIN THIS MANUAL FOR FUTURE REFERENCE.

A MESSAGE TO OUR CUSTOMERS



SAFETY WARNING:

Turn off power circuit at service panel and lock out panel, before wiring this appliance.

Requirement: 120 V AC, 60 Hz. 15 A Branch Circuit



WARNING

To reduce the risk of injury to persons in the event of a rangetop grease fire, observe the following: Turn burner off first. Smother flames with a close-fitting lid, cookie sheet, or metal tray. Be careful to prevent burns. If the flames do not go out immediately evacuate and call the fire department. Never pick up a flaming pan - You may be burned. **DO NOT USE WATER**, including wet dishcloths or towels - a violent steam explosion will result. Use an extinguisher **ONLY** if:

- 1) You know you have a Class ABC extinguisher, and you already know how to operate it.
- 2) The fire is small and contained in the area where it started.
- 3) The fire department is being called.
- 4) You can fight the fire with your back to an exit.

TABLE OF CONTENTS

| | |
|------------------------------|-------|
| SAFETY PRACTICES | 3-4 |
| PARTS | 5 |
| BEFORE INSTALLING HOOD | 6-8 |
| INSTALLATION..... | 9-16 |
| HOW TO OBTAIN SERVICE..... | 17 |
| WARRANTY..... | 18-19 |

SAFETY PRACTICES AND PRECAUTIONS

CAUTION:

For general ventilating use only. Do not use to exhaust hazardous or explosive materials or vapors.



WARNING:

To reduce the risk of a range top grease fire:

- A. Never leave surface units unattended at high settings. Boilovers cause smoking and greasy spillovers that may ignite. Heat oil slowly on low or medium settings.
- B. Always turn venthood "ON" when cooking at high heat or when flambeing foods (i.e. Crepes Suzette, Cherries Jubilee, Peppercorn Beef Flambe').
- C. Clean ventilating fans frequently. Grease should not be allowed to accumulate on fan or filter.
- D. Use proper pan size. Always use cookware appropriate for the size of the surface unit.

Make-Up air may be necessary to prevent air flowing down chimney, or through unsealed door, window, or fireplace opening.



WARNING:

To reduce the risk of fire, electrical shock, or injury to persons, observe the following guidelines.

- A. Use this unit only in the manner intended by the manufacturer. If you have questions, contact the manufacturer.
- B. Before servicing or cleaning the unit, switch power off at service panel and lock service panel disconnecting means to prevent power from being switched on accidentally. When the service disconnecting means cannot be locked, securely fasten a prominent warning device, such as a tag, to the service panel.
- C. Installation and electrical wiring must be performed by qualified personnel in accordance with all applicable codes & standards, including fire-rated construction.
- D. To prevent backdrafting, sufficient air is needed to maintain proper combustion and safe exhausting of gases through the flue (chimney) of fuel burning equipment. Follow the heating equipment manufacturers guideline and safety standards such as those published by the National Fire Protection Association (NFPA) and the American Society for Heating, Refrigeration and Air Conditioning Engineers (ASHRAE), and the local code authorities.
- E. Use caution when cutting or drilling into walls or ceilings as not to damage electrical wiring and other hidden utilities.

SAFETY PRACTICES & PRECAUTIONS



WARNING:

To reduce the risk of fire and to properly exhaust air, be sure to duct air to outside. Do not vent exhaust air into spaces within walls or ceiling, nor into attics, crawl spaces, or garages.

NOTE: Unit **MUST** be vented to the outside of the building.

IMPORTANT: Refer to ducting information supplied in this manual.



WARNING:

To reduce the risk of electrical shock or injury to persons, all vent hoods must be installed with ventilators that have been approved for use with the hood.



WARNING:

To reduce the risk of fire, use only metal duct work.

Install this hood in accordance with all requirements specified.



WARNING:

To reduce the risk of fire or electric shock, do not use this hood with any external solid state speed control device.



WARNING:

To reduce the risk of injury to persons in the event of a rangetop grease fire, observe the following: Turn burner off first. Smother flames with a close-fitting lid, cookie sheet, or metal tray. Be careful to prevent burns. If the flames do not go out immediately evacuate and call the fire department. Never pick up a flaming pan - You may be burned. **DO NOT USE WATER**, including wet dishcloths or towels - a violent steam explosion will result. Use an extinguisher **ONLY** if:

- 1) You know you have a Class ABC extinguisher, and you already know how to operate it.
- 2) The fire is small and contained in the area where it started.
- 3) The fire department is being called.
- 4) You can fight the fire with your back to an exit.



WARNING:

To reduce the risk of fire, electrical shock, or injury to persons, the Island Hood (IVS40/52) must be installed with the chimney structure (IVCK) supplied in the separate box. Custom parts cannot be substituted.

PARTS

PARTS INCLUDED WITH YOUR HOOD

- Hood canopy assembly with light bulbs installed.
- Metal transition with back draft dampers
- Use & Care/Installation Instructions
- Filters (quantity depending on model and size)
- Screws
- Integral blowers
- 4 side baffle trims (IVS52 only)
- Baffle filter panel

PARTS NOT INCLUDED WITH YOUR HOOD

- Duct tape
- 1/2" conduit
- Wire nuts
- Hood chimney structure and duct covers. Those items are included with accessory kit model IVCK, which must be ordered separately.

BEFORE INSTALLING HOOD

1. For the most efficient air flow exhaust, use a straight run or as few elbows as possible.

CAUTION:

Vent unit to outside of building only.

2. Two people are necessary for installation.
3. The hood is fitted with screws suitable for most surfaces. Consult a qualified installer. Check if they perfectly fit with your ceiling.
4. Do not use flex ducting.
5. COLD WEATHER installations should have an additional backdraft damper installed to minimize back flow of cold air and a nonmetallic thermal break to minimize conduction of outside temperatures as part of the ductwork. The damper should be on the cold air side (outside wall) of the thermal break.

The break should be as close as possible to where the ducting enters the heated portion of the house.

6. Hood installation height above cooktop/range is the user's preference. Lower installation heights will improve the efficiency of capturing cooking odors, grease, and smoke. These hoods have been approved for installation heights 30" and above the cooktop/ranges. Taller people may find a 30" installation height is inconvenient. DCS recommends an installation height between 30" and 36".
7. For installation over DCS range and cooktop models RGS-364GL or CS-364GL, the IVS52 model venthood is recommended.
8. Make up air: Local building codes may require the use of Make-Up Air Systems when using Ducted Ventilation Systems greater than specified CFM of air movement.

The specified CFM varies from locale to locale. Consult your HVAC professional for specific requirements in your area.

BEFORE INSTALLING HOOD

TYPICAL INSTALLATION

A typical hood installation is shown below in Figure 1. When installed with the IVCK chimney accessory kit, the hood can be installed at a height of 30" to 36" in kitchens with ceiling heights ranging from 8-1/2 to 10 feet. Installations outside this range will require custom framing. Consult a qualified installer for a custom framing solution.

DUCTING

Provide a 10" Round Duct. Ducting run cannot exceed 40 feet, including allowance for elbows/transitions.

ELECTRICAL

Install a 1/2" conduit from the service panel long enough to reach the hood once it is installed.

Power supply must be rated for 120V 60Hz, 15 amps (minimum).

INSTALLATION HEIGHT CALCULATIONS

See Figure 1.

- Select a hood installation height C that is comfortable for the user. (30" to 36" recommended, 30" minimum).
- Calculate chimney cover height E using formula below.

Save this calculation for use later in the installation.

- A = Kitchen Ceiling Height
B = Counter Height (36" standard)
C = Installation Height of Hood.
D = Canopy Height = 13"
E = Chimney cover height = $A - B - C - D$

NOTE: Chimney cover height can be adjusted from 24-1/2" to 36" to meet your desired hood installation height.

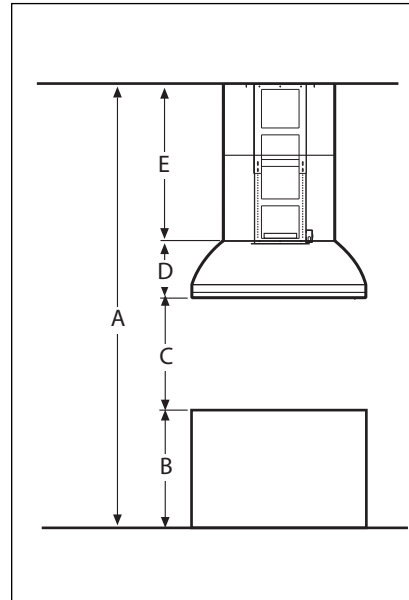


FIG.1

BEFORE INSTALLING HOOD

CEILING PREPARATION

Installing supports above ceiling drywall.

NOTE: Take into consideration the hood depth; some models are much deeper than the cook top.

NOTE: The following steps pertain to hood installation using chimney structure/duct cover kit model IVCK. Other installations may require custom framing, etc. Consult a qualified installer.

1. Mark center lines of cooktop or range on ceiling above. Use centerlines marked on ceiling to position the mounting template. Location of front arrow on the template must point towards front of cooking surface. Mark mounting holes indicated on the template.
2. Remove and save template. Cut and remove ceiling drywall. Install suitable length 2" x 4" lumber between joists to provide chimney mounting points as shown in Fig. 2. Use template for dimensions and required clearance.

Make sure to affix the added lumber firmly and level. Consult a professional if you have difficulties or your installation is unique. Consult template and Fig. 2.

IMPORTANT:

The ceiling structure (joists and lumbers) must be capable of supporting the weight of the hood (approximately 110 lbs for 40" range hood and 143 lbs for 52" range hood) and any inadvertent user contact loads.

3. DUCT INSTALLATION

For IVS-52: Install 10" exhaust duct and extend length E minus 4-5/8" (E - 4-5/8") from ceiling.

See Fig. 1. Do not use duct smaller than specified.

4. Install 1/2" electrical conduit in location marked on template and extend length E minus 3-1/8" (E - 3-1/8") from ceiling (use formula in Fig. 1).
5. Install drywall around duct and conduit; then refinish ceiling.
6. Tape template in place using centerlines marked in Step 1. Mark locations of mounting points. Remove template.

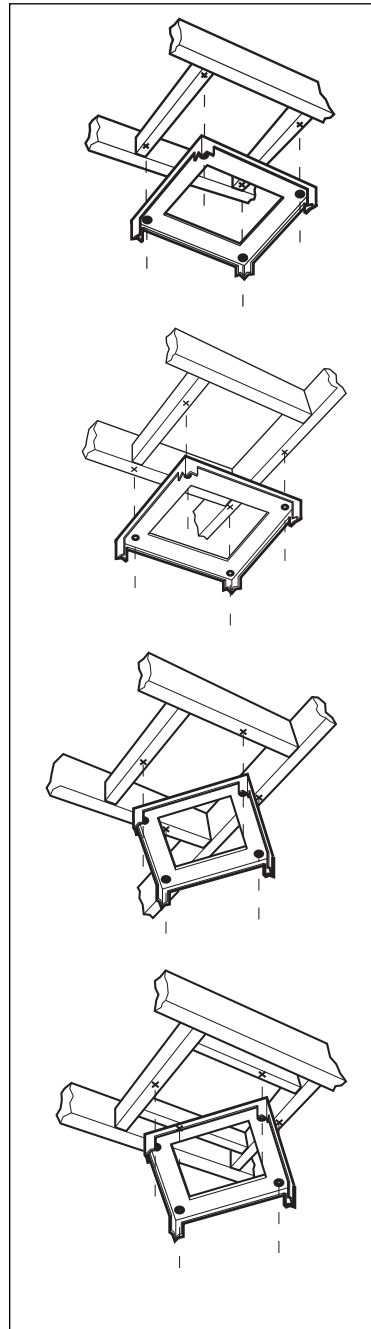


FIG.2

INSTALLATION

HOOD INSTALLATION

1. Adjust chimney mounting structure to $E + 3/8''$ dimension as determined in installation height calculation on page 7. Use 2 screws per attachment leg, see Fig. 3.
2. To install Chimney Structure to ceiling, use a 10mm or adjustable wrench or flat head screwdriver.

- a. Drill pilot holes into ceiling at fixing points as determined in Step 6 under Ceiling Preparation (Pg. 8).
- b. Screw the 4 lag screws provided (see Fig. 4, do not tighten completely).
- c. Attach mounting structure to joists with the 4 lag screws provided. (see Fig. 4, keep 10" duct inside structure).

ATTENTION: Junction Box on the chimney structure should be oriented to the right side when facing the front of the cooktop.

- d. Tighten the 4 lag screws, see Fig. 4.

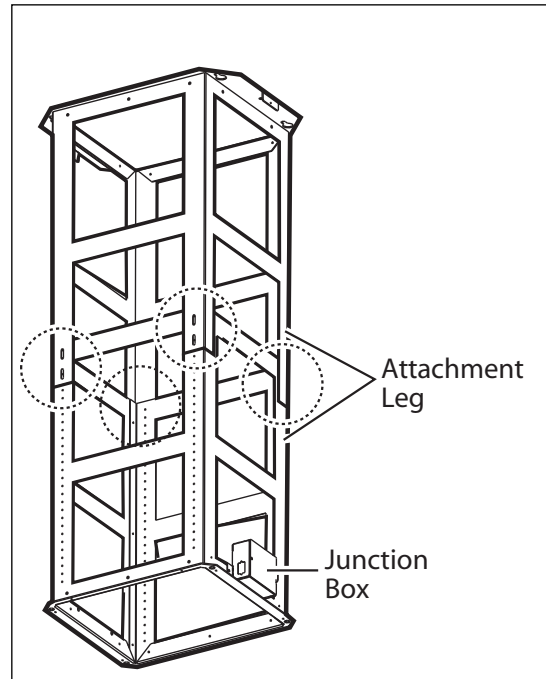


FIG.3

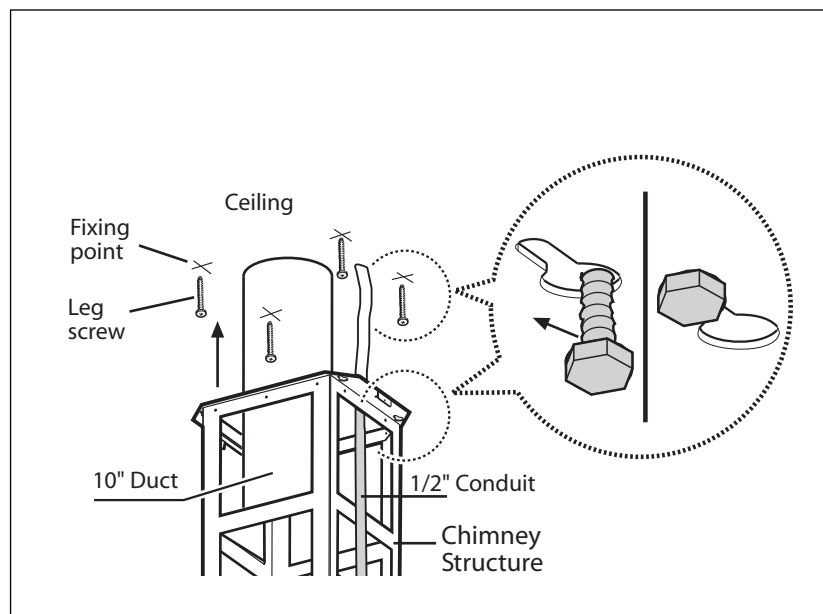


FIG.4

INSTALLATION

3. Assembly of the 10" Transition.

The transition supplied with the hood mounts to the top of the hood, Figure 5.

- a. Place the transition piece over the hood exhaust and secure with 4 screws provided.
- b. Duct tape connection between transition and hood.
- c. Remove tape holding damper.

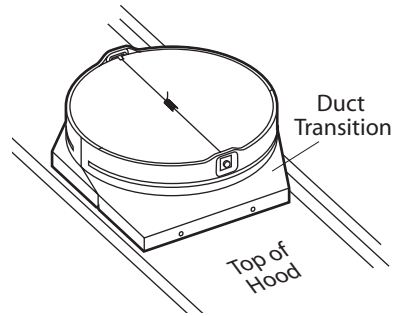


FIG.5

4. Check that the screws on bottom of chimney structure are partially screwed into place; these will serve to hang and fix the canopy.

5. If already mounted in place remove all grease filters.

6. Back out the hanging screws on the bottom of the chimney structure to 1/4" gap.

Lift the canopy up to the chimney support .

Carefully align the canopy keyhole to the screws on the chimney support.

Slide the hood to engage the keyhole slots. See Fig. 6.

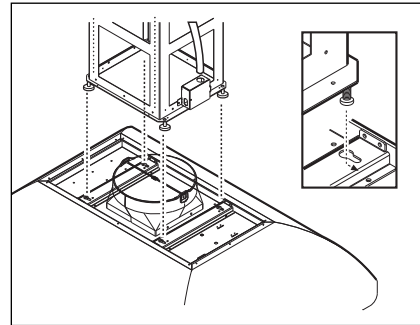


FIG.6

7. Tighten screws securely (from inside the canopy). Fix canopy to structure with 4 screws from inside the canopy. See Fig. 7.

8. Make final angular adjustment to unit at ceiling if necessary, then finish installation adding two fixing screws. See Fig. 8.

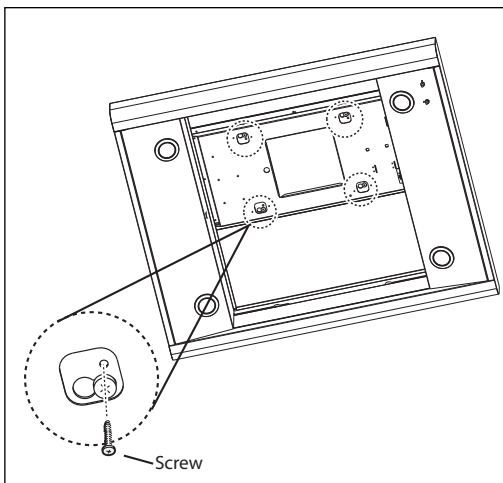


FIG.7

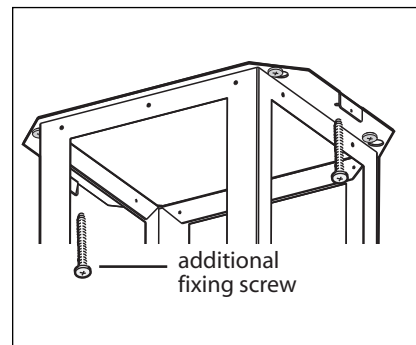


FIG.8

INSTALLATION

9. Ducting: There should be no more than 1" gap between canopy transition and house ducting. Adjust starting collar over both ducts. Tighten collar. Fasten duct with screws and tape per code. Screws must not hamper the damper. See Fig. 9.

INTEGRAL VENTILATOR INSTALLATION

(see Fig. 10 to 11)

1. The Integral ventilator can be mounted to discharge air towards the ceiling. So motor connector may be located frontwards.

From the inside of the hood, slip motor into the bracket on the left.

Rotate motor upwards until it snaps into the spring clip on the right.

Secure the motor to the hood with the machine screw and lock washer.

Plug connector into the motor, Fig. 11.

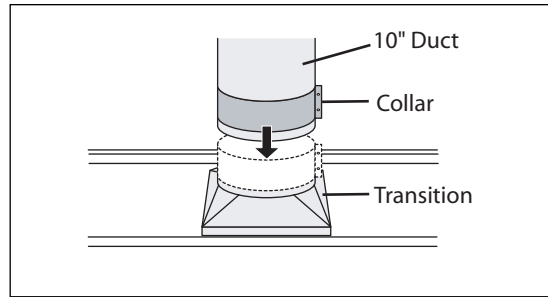


FIG. 9

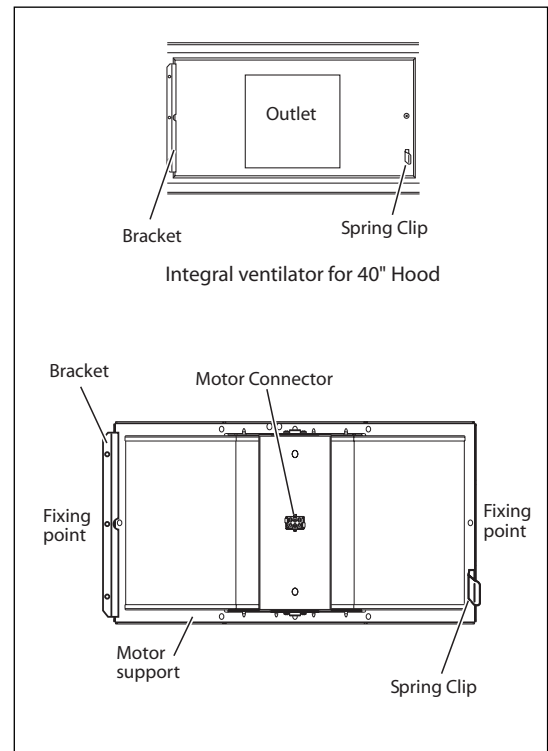


FIG. 10

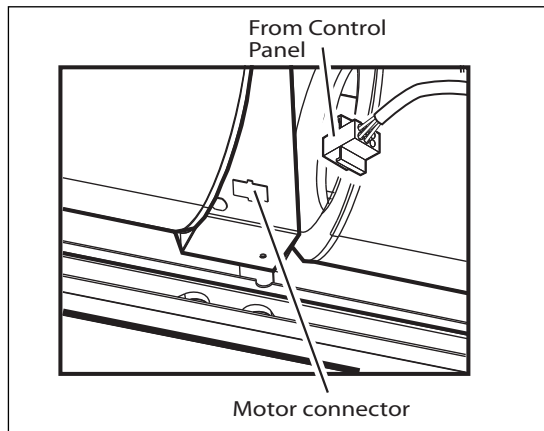


FIG. 11

INSTALLATION

2. Snap the central baffle filter panel into the place so the both rails engage with side pins on both sides of hood. Drive 2 screws (1 on each side) through baffle filter panel hole to hood. See Fig. 12.
3. Snap four-side baffle trim to hood (4 pins engage each side trim). The baffle trims are supplied separately (for IVS52 only). See Fig. 13.

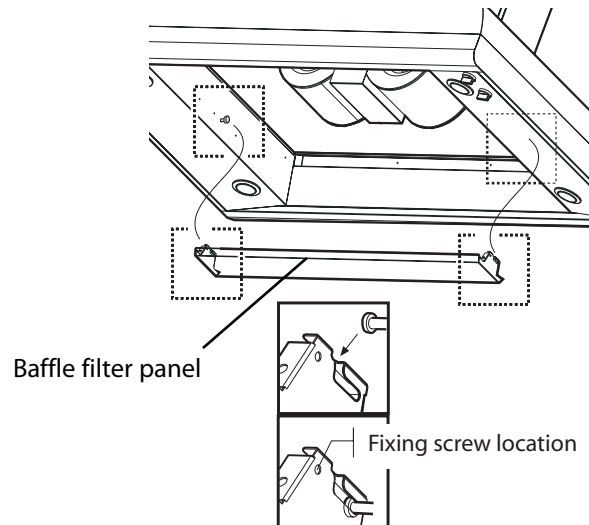


Fig. 12

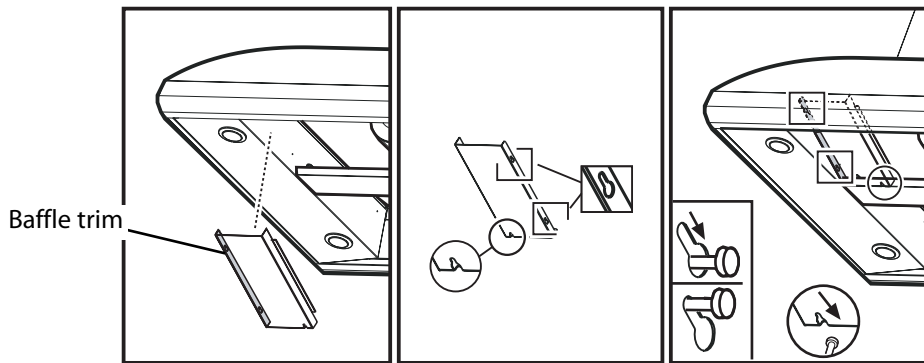


Fig. 13

4. Install all baffle filters as per Use and Care Manual instructions.

INSTALLATION

WIRING TO POWER SUPPLY

 **WARNING:**

Turn off power circuit at the service panel before wiring this unit.

120 VAC, 15 Amp circuit required.

1. Remove j-box cover as shown in Fig. 14.
2. Remove the knockout and install the strain relief (conduit) connector (1/2") in junction box.
3. Run 3 wires; black, white and green (#14 AWG) in 1/2" conduit from service panel to junction box.
4. Connect black wire from service panel to black or red in junction box, white to white and green to green-yellow. See Fig. 14.
5. Close junction box cover.
6. Plug cable at the top of the hood into the junction box connector.
7. Check all light bulbs to make sure they are secure in their sockets, then turn power on in service panel and check lights and blower operation per Care & Use manual and install drip tray support and filters.

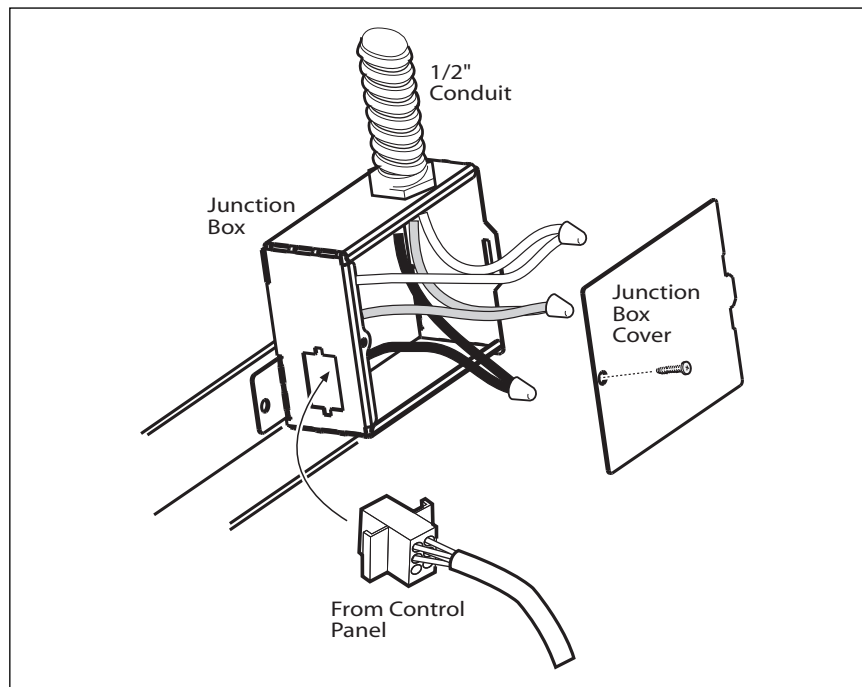


FIG. 14

INSTALLATION

FINAL ASSEMBLY

For final Chimney Cover installation, **DO NOT USE ELECTRIC SCREW DRIVER.**

NOTE: Overtightening screws can deform metal.

1. Install the cage nuts from inside the rectangular slots supplied with top and bottom duct covers. See Fig. 15.

A total of 14 nuts must be fitted.

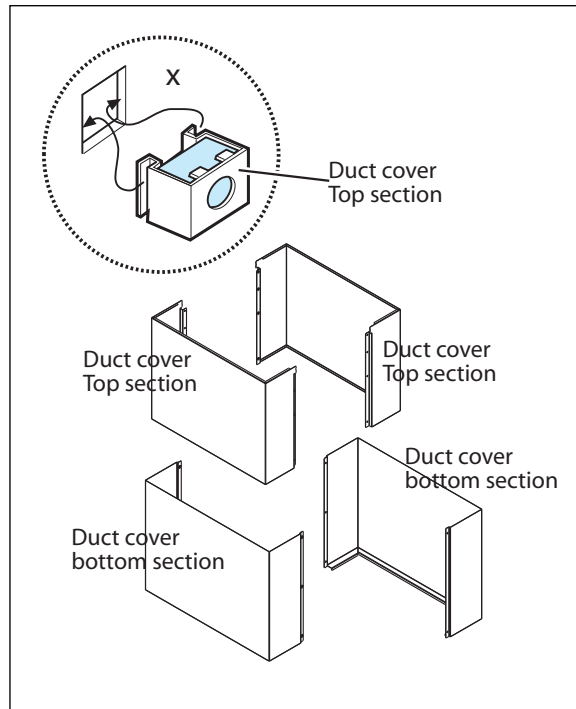


FIG. 15

INSTALLATION

2. Install the two brackets to the chimney structure supplied with the kit by using one screw each side.
3. Join the two top sections of the duct cover.

Screw the two sections together with 8 screws (4 each side- see the top view in Fig. 16 for joining the two sections).

4. Install the top duct cover assembly to the bracket, near the ceiling, with two screws (one each side).

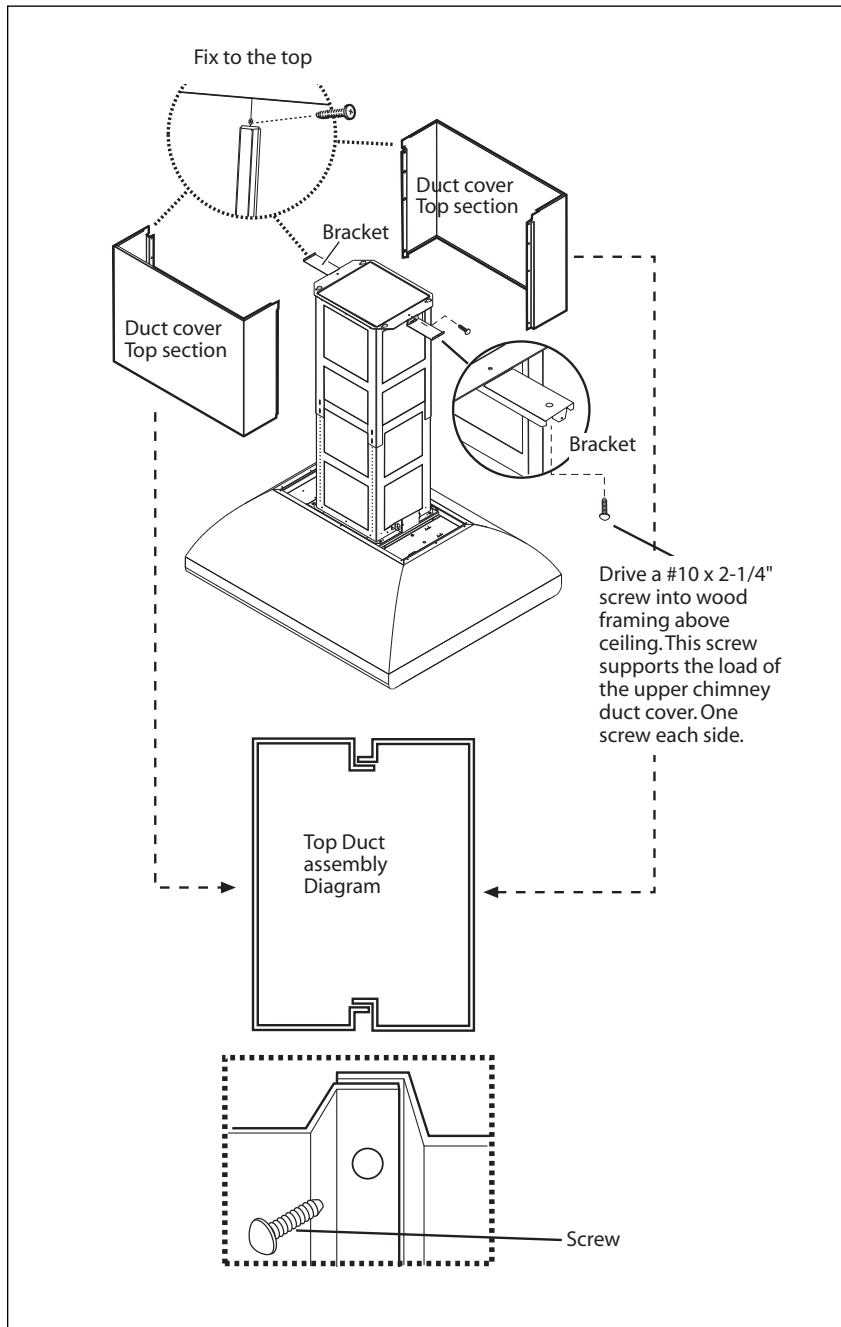


FIG. 16

INSTALLATION

5. Join the two bottom sections of the duct cover which covers the chimney structure using 6 screws, (3 each side, see Fig. 17 for the plan diagram for joining the two sections).
6. Insert the bottom section of the duct cover in its seat so that it completely covers the chimney structure.
7. Install the 4 supplied trims for duct cover channels to cover the fasteners of the bottom duct covers. (CAUTION! THE BOTTOM FLUE TRIMS ARE THE NARROWER AND SHALLOWER ONES).

The wider and deeper trims are those used for the top flue, and must be cut to size.

If necessary, slightly expand the trims to ensure their adherence to the flue.

8. Turn the power on again at the electrical panel and check for correct hood operation.
9. Make sure to leave this manual for the home owner.

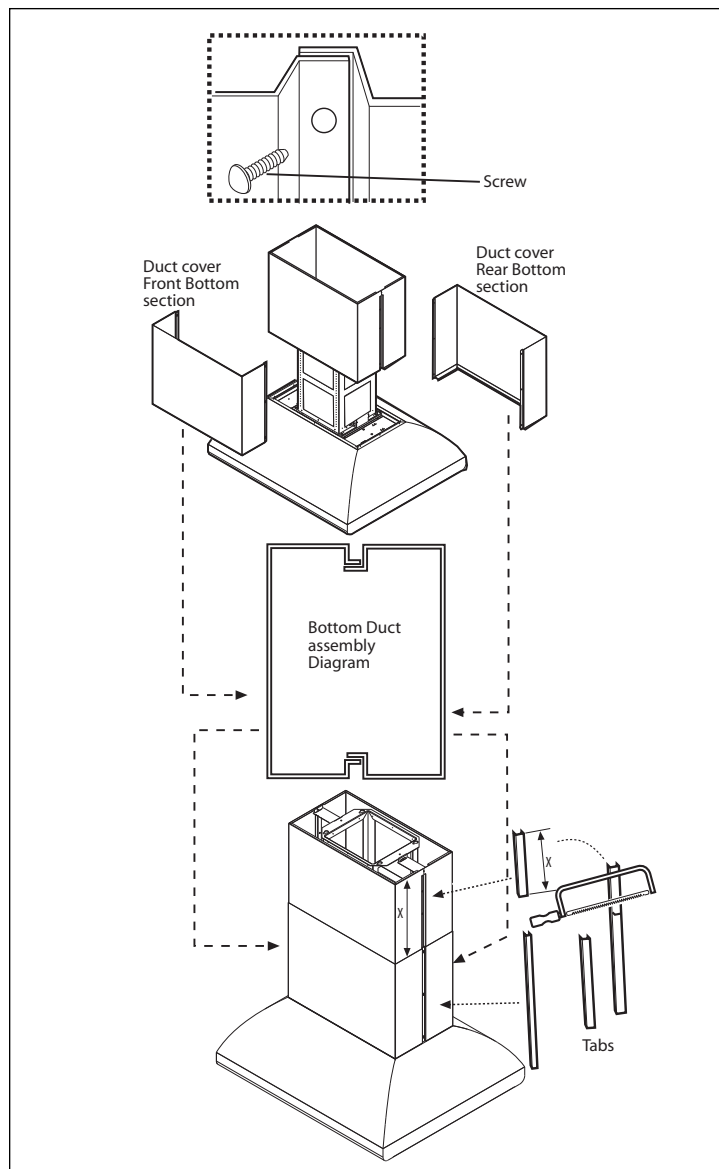


FIG. 17

HOW TO OBTAIN SERVICE

BEFORE YOU CALL FOR SERVICE

- Is the circuit breaker tripped or the fuse blown?
- Is there a power outage in the area?

For warranty service, contact DCS Customer Care Representative at (888) 936-7872. Before you call, please have the following information ready:

- Model Number (located on the inside of the top panel on the left, behind the rear back filter, above the motor assembly)
- Serial Number (located on the inside of the top panel on the left, behind the rear back filter, above the motor assembly)
- Code (located on the inside of the top panel on the left, behind the rear back filter, above the motor assembly)
- Date of installation
- A brief description of the problem

Your satisfaction is of the utmost importance to us. If a problem cannot be resolved to your satisfaction, please call, write or email us at:

Write:

Fisher & Paykel Appliances, Inc.
Attention: DCS Customer Care
5900 Skylab Road
Huntington Beach, CA 92647

email: customer.care@fisherpaykel.com

WARRANTY

LIMITED WARRANTY

When you purchase a new DCS Ventilation Product for personal or consumer use you automatically receive a One year Limited Warranty covering parts and labor for the entire product, and a Five year Limited Warranty on the switches and motor (parts only) for servicing within the 48 mainland United States, Hawaii, Washington D.C and Canada. In Alaska the Limited Warranty is the same except that you must pay to ship the Product to the service shop or for the service technician's travel to your home. Products for use in Canada must be purchased through the Canadian distribution channel to ensure regulatory compliance.

If the Product is installed in a motor vehicle, boat or similar mobile facility, you receive the same One year Limited Warranty, but you must bring the vehicle, boat or mobile facility containing the Product to the service shop at your expense or pay the service technician's travel to the location of the Product.

FISHER & PAYKEL UNDERTAKES TO:

Repair without cost to the owner either for material or labor any part of the Product, the serial number of which appears on the Product, which is found to be defective. In Alaska, you must pay to ship the Product to the service shop or for the service technician's travel to your home. If the Product is installed in a motor vehicle, boat or similar mobile facility, you must bring it to the service shop at your expense or pay for the service technician's travel to the location of the Product. If we are unable to repair a defective part of the Product after a reasonable number of attempts, at our option we may replace the part or the Product, or we may provide you a full refund of the purchase price of the Product (not including installation or other charges).

This warranty extends to the original purchaser and any succeeding owner of the Product for products purchased for ordinary single-family home use. All service under this Limited Warranty shall be provided by Fisher & Paykel Appliances, Inc. or its Authorized DCS Service Agent during normal business hours.

HOW LONG DOES THIS LIMITED WARRANTY LAST?

Our liability under this Limited Warranty for the entire product expires One Year from the date of purchase of the Product by the first consumer. Our liability under this Limited Warranty for the switches and motor (parts only) expires Five Years from the date of purchase of the Product by the first consumer.

Our liability under any implied warranties, including the implied warranty of merchantability (an unwritten warranty that the Product is fit for ordinary use) also expires One Year (or such longer period as required by applicable law) from the date of purchase of the Product by the first consumer. Some states do not allow limitations on how long an implied warranty lasts, so this limit on implied warranties may not apply to you.

THIS WARRANTY DOES NOT COVER:

- A. Service calls that are not related to any defect in the Product. The cost of a service call will be charged if the problem is not found to be a defect of the Product. For example:
1. Correct faulty installation of the Product.
 2. Instruct you how to use the Product.
 3. Replace house fuses, reset circuit breakers, correct house wiring or plumbing, or replace light bulbs.
 4. Correct fault(s) caused by the user.
 5. Change the set-up of the Product.

WARRANTY

6. Unauthorized modifications of the Product.
 7. Noise or vibration that is considered normal, for example, drain/fan sounds, regeneration noises or user warning beeps.
 8. Correcting damage caused by pests, for example, rats, cockroaches etc.
- B. Defects caused by factors other than:
1. Normal domestic use or
 2. Use in accordance with the Product's Use and Care Guide.
- C. Defects to the Product caused by accident, neglect, misuse, fire, flood or Act of God.
- D. The cost of repairs carried out by non-authorized repairers or the cost of correcting such unauthorized repairs.
- E. Travel Fees and associated charges incurred when the product is installed in a location with limited or restricted access. (i.e. airplane flights, ferry charges, isolated geographic areas).
- F. Normal recommended maintenance as set forth in the Product's Use and Care Guide.

If you have an installation problem contact your dealer or installer. You are responsible for providing adequate electrical, exhausting and other connection facilities. We are not responsible for consequential or incidental damages (the cost of repairing or replacing other property damaged if the Product is defective or any of your expenses caused if the Product is defective). Some states do not allow the exclusion or limitation of incidental or consequential damages, so the above limitation or exclusion may not apply to you.

HOW TO GET SERVICE

Please read your Use and Care Guide. If you then have any questions about operating the Product, need the name of your local DCS Authorized Service Agent, or believe the Product is defective and wish service under this Limited Warranty, please contact your dealer or call us at:

TOLL FREE 1-888-936-7872 or contact us through our web site: www.dcsappliances.com.

You may be required to provide reasonable proof of the date of purchase of the Product before the Product will be serviced under this Limited Warranty.

COMMERCIAL USE

This warranty applies to appliances used in residential applications; it does not cover their use in commercial situations.

NO OTHER WARRANTIES

This Limited Warranty is the complete and exclusive agreement between you and Fisher & Paykel Appliances, Inc. regarding any defect in the Product. None of our employees (or our Authorized Service Agents) are authorised to make any addition or modification to this Limited Warranty.

Warrantor: Fisher & Paykel Appliances, Inc.

If you need further help concerning this Limited Warranty, please call us at the above number, or write to:

Fisher & Paykel Appliances, Inc.
5900 Skylab Road, Huntington Beach, CA 92647

This Limited Warranty gives you specific legal rights, and you may also have other rights which vary from state to state.



Quality provided by Fisher & Paykel Appliances Inc.

Fisher & Paykel Appliances, Inc.
5900 Skylab Road, Huntington Beach, CA 92647
Customer Care: 888.936.7872
Fax: 714.372.7003
www.dcsappliances.com

As product improvement is an ongoing process, we reserve the right to change specifications or design without notice.

Nous améliorons constamment ses produits et se réserve le droit de modifier les spécifications ou la conception de ses produits sans aucun préavis.

P/N 221712 Rev. E
Litho in USA 08/2008