



36" EURO HOOD

Parts List

MODEL:
ES36

PRODUCT CODE:
70632

PRODUCT

Brand	DCS
Voltage	110V 60Hz
Model	ES36
Product Code	70632

Fisher & Paykel Appliances

5900 Skylab Road
Huntington Beach
CA 92647
Telephone: 888 936 7872

CONTENTS

HOOD COMPONENTS	6
-----------------------	---

GUIDE TO USING THIS MANUAL

The model covered by this manual is listed on the front cover.

The information detailed in this manual is subject to change without notice. The latest version is indicated by the reprint date and replaces any earlier editions.

The front cover picture shows the type of product and may not necessarily be an exact image of the model covered by the manual.

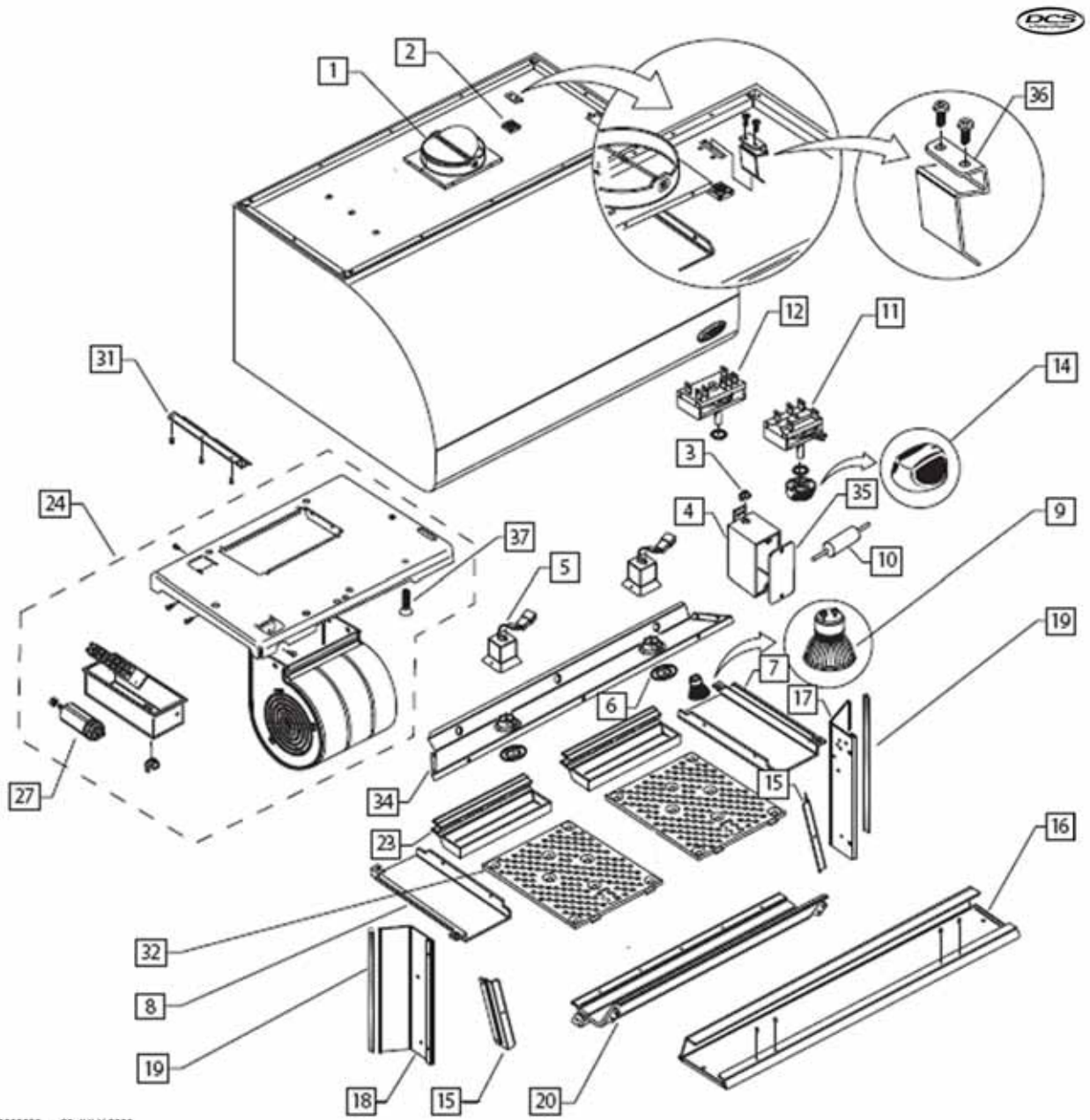
Kit Parts

Kit components are shown in *italics*. Where a part number is shown against the descriptions for these kit components, they are also available as separate items. In addition, some parts may be supplied with these kits that are not available as separate items, and are therefore either not listed, or a part number is not shown against the part description in this manual.

Parts List Key

<i>italics</i>	Kit components or parts included are shown in <i>italics</i> . Refer to above notes: Kit Parts.
NI	As a part reference, indicates the part is not illustrated on the diagram.
NOT USED	As a part number, indicates the diagram part reference is not used in this manual.

HOOD COMPONENTS



DWG000656 20 JULY 2008

HOOD COMPONENTS

REF	PART	DESCRIPTION
1	237337	DAMPER (8" DUCT)
2	237666	TINNERMAN CLIP & NUT (CAGE)
3	237665	WIRE GROMMET
4	237643	JUNCTION BOX
5	237647	HALOGEN LIGHT BULB RECPTACLE
6	237459	BEZEL LIGTH
7	237657	FILTER SIDE PANEL R/H, ES36
8	237656	FILTER SIDE PANEL L/H, ES36
9	237458	LIGHT BULB HALOGEN
10	237336	DIODE
11	237332	LIGHT SWITCH
12	237333	BLOWER SWITCH
14	220764	KNOB 35mm OD ASSEMBLY
15	237653	BRACKET, FRONT PANEL
16	237673	FRONT PANEL ES36, VS36, VS1236
17	237651	AIR BAFFLE R/H, ES30/36
18	237650	AIR BAFFLE L/H, ES30/36
19	237659	INSULATOR STRIP
20	237655	FILTER RETAINER, ES36
23	237338	GREASE TRAY (ES)
24	237335	BLOWER MOTOR ASSY SINGLE
27	237331	CAPACITOR
31	237654	CLAMP, BLOWER MOUNT
32	237341	BAFFLE FILTER LOW PROFILE (ES)
34	237634	LIGHT PANEL, ES36
35	237642	JUNCTION BOX COVER
NI	237460	HARNESS
NI	237680	HARNESS LIGHTS
36	237714	SPRING CLIP, BLOWER MOTOR MNT
37	237669	BOLT, BLOWER MOUNT