

This Owner's Manual is provided and hosted by [Appliance Factory Parts](#).



# Sharp R1850 Owner's Manual

[Shop genuine replacement parts for Sharp R1850](#)



[Find Your Sharp Microwave Parts - Select From 1210 Models](#)

----- Manual continues below part list -----

## Available Replacement Parts for Sharp R1850

<a href="#">RLMPTA086WRZZ</a>	20 Bulb Int Base
<a href="#">10QBP0230</a>	Magnetron,
<a href="#">JBTN-B054MRF0</a>	OPEN BUTTON
<a href="#">JBTN-B114MRF0A</a>	SELECT BUTTON ASSY-OR4 WHITE
<a href="#">MCAMPB001MRF0A</a>	DAMPER CAM
<a href="#">MSPRTA046WRE0</a>	LATCH SPRING
<a href="#">QSOCLB006MRE0</a>	HOOD LAMP SOCKET
<a href="#">TINSKB019MRR0</a>	BOTTOM TEMPLATE
<a href="#">FANGKB009MRY0</a>	HOOD LAMP GLASS ASSEMBLY
<a href="#">FCOVPA068WRYZ</a>	STIRRER COVER ASSEMBLY
<a href="#">FFAN-A002WRKZ</a>	STIRRER FAN ASSEMBLY
<a href="#">FFS-BA016/KIT</a>	MONITOR SWITCH (V-16G-2C25)AND
<a href="#">FH-HZA053WRE0</a>	THERMISTOR
<a href="#">HDECQA472WRFZ</a>	SASH LEFT (R-1875-T)
<a href="#">JBTN-B636WRFZ</a>	OPEN BUTTON (R-1875-T)
<a href="#">LSTPPB025MRF0</a>	LATCH HEAD
<a href="#">LX-BZB011MRE0</a>	UNIT MOUNTING SCREW
<a href="#">NCPL-B007MRF0</a>	COUPLING
<a href="#">NFANJA069WREZ</a>	FAN BLADE
<a href="#">PHOK-A182WRFZ</a>	LATCH HOOK
<a href="#">PPACGA189WREZ</a>	TURNTABLE MOTOR PACKING
<a href="#">RC-QZA331WRZZ</a>	HV CAPACITOR
<a href="#">RMOTDA256WRZZ</a>	DAMPER MOTOR
<a href="#">FAMI-B005MRM0</a>	LOW RACK
<a href="#">FAMI-B006MRM0</a>	HIGH RACK
<a href="#">FANGTA175WRYZ</a>	UNIT MOUNTING PLATE
<a href="#">FROLPB027MRK0</a>	TURNTABLE SUPPORT ASSEMBLY
<a href="#">FUNTKB108MRE0</a>	KEY SHEET
<a href="#">NTNT-A146WREZ</a>	TURNTABLE TRAY
<a href="#">PCOVPA565WRTZ</a>	BASE COVER

<a href="#">RMOTEB032MRE0</a>	FAN MOTOR
<a href="#">RTRN-B092MRE0</a>	POWER TRANSFORMER
<a href="#">MLEVPB016MRF1</a>	OPEN LEVER
<a href="#">PFIL-B002MRE0</a>	GREASE FILTER
<a href="#">RMOTDA252WRZZ</a>	TURNTABLE MOTOR
<a href="#">QSW-MA168WRZZ</a>	Sensing switch
<a href="#">CPWBFB061MRU1</a>	CPU UNIT OR4 (SHARP)

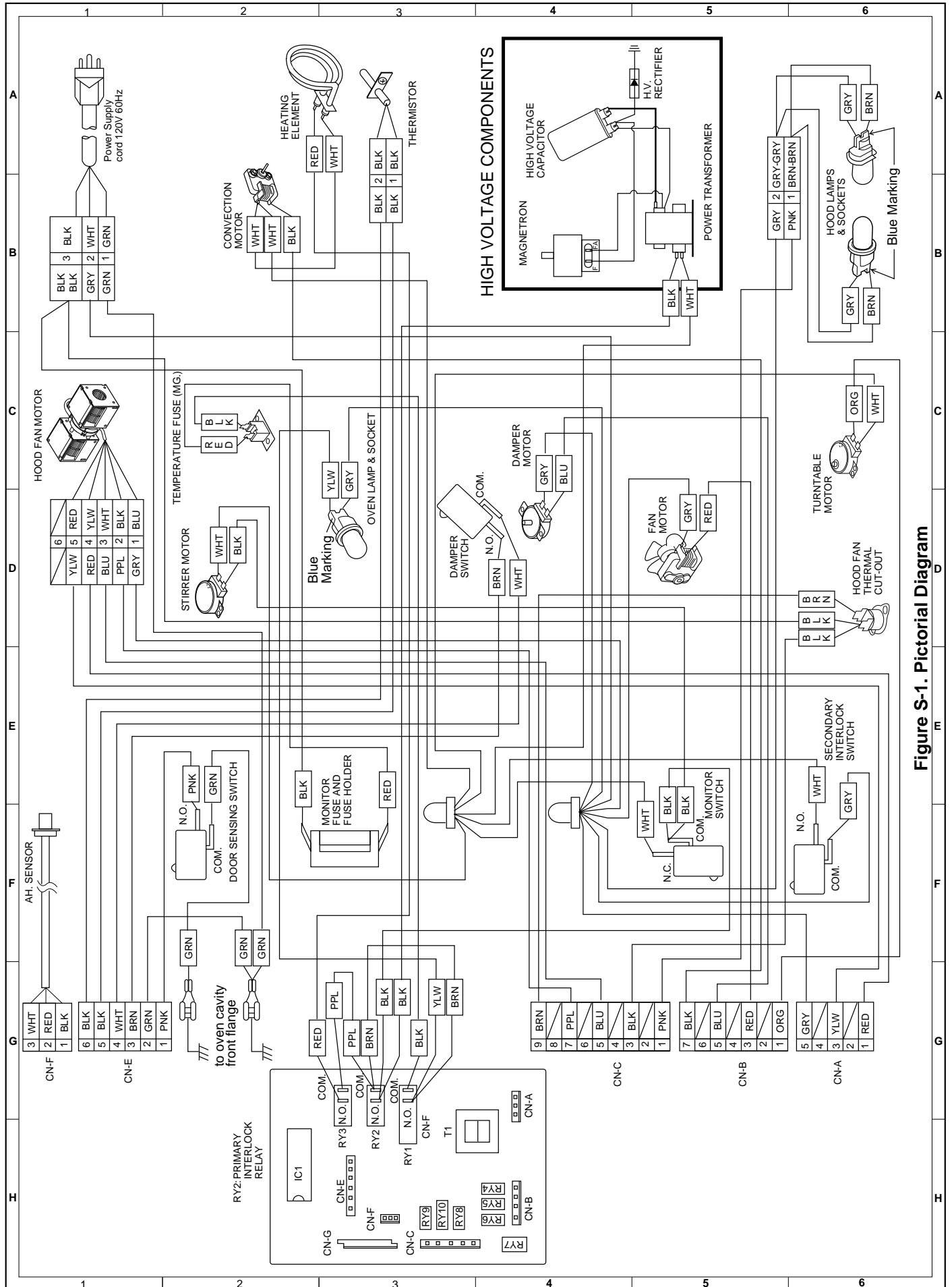


Figure S-1. Pictorial Diagram

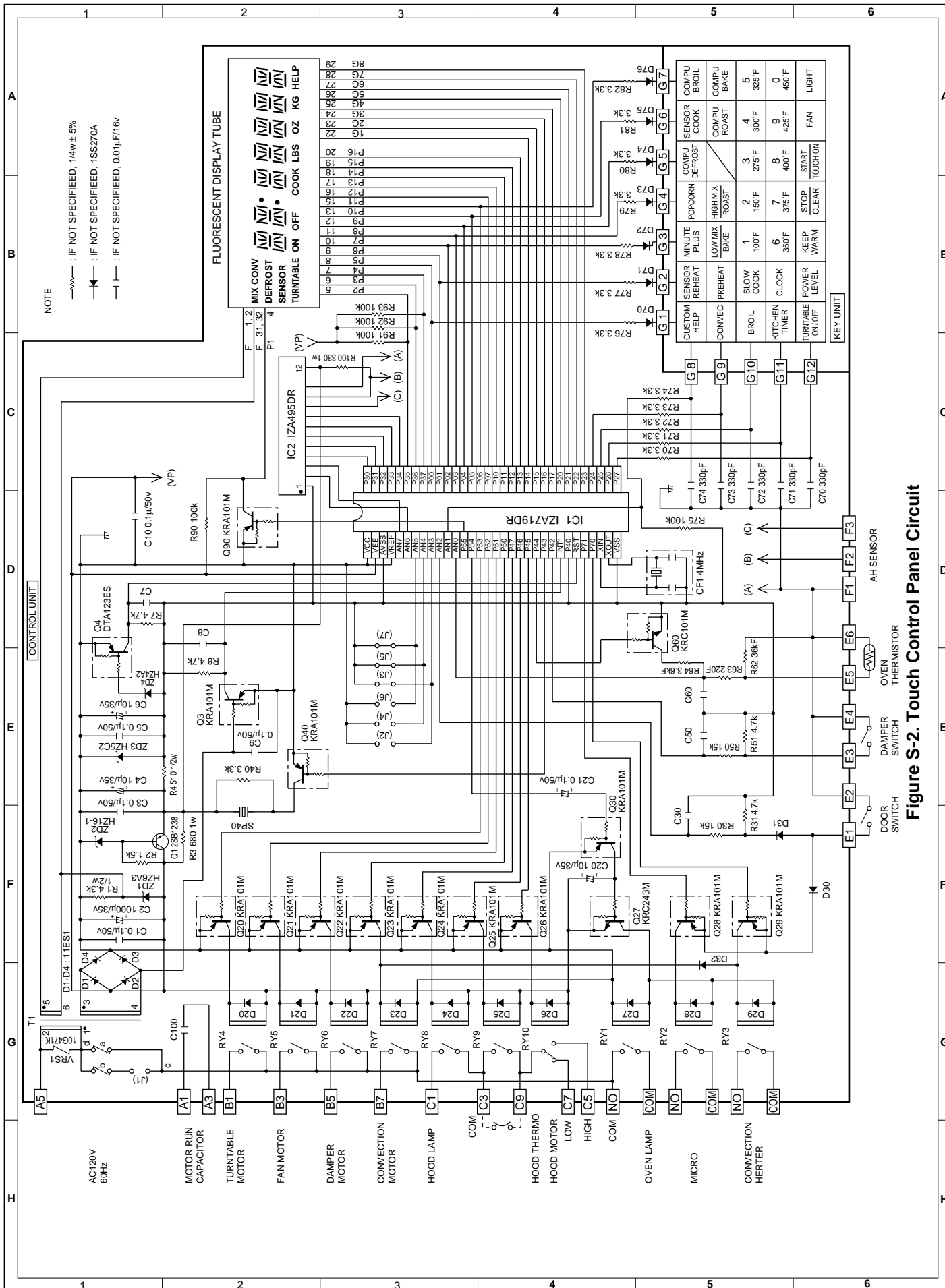


Figure S-2. Touch Control Panel Circuit

NOTE  
 - - - : IF NOT SPECIFIED, 1/4w ± 5%  
 —|— : IF NOT SPECIFIED, 1SS270A  
 —|— : IF NOT SPECIFIED, 0.01µF/16v

FLUORESCENT DISPLAY TUBE

MIX CONV  
 DEFROST  
 SENSOR  
 TURNABLE ON OFF COOK LBS OZ KG HELP

1	2	3	4	5	0
1	2	3	4	5	0
1	2	3	4	5	0
1	2	3	4	5	0
1	2	3	4	5	0
1	2	3	4	5	0
1	2	3	4	5	0
1	2	3	4	5	0
1	2	3	4	5	0
1	2	3	4	5	0
1	2	3	4	5	0
1	2	3	4	5	0

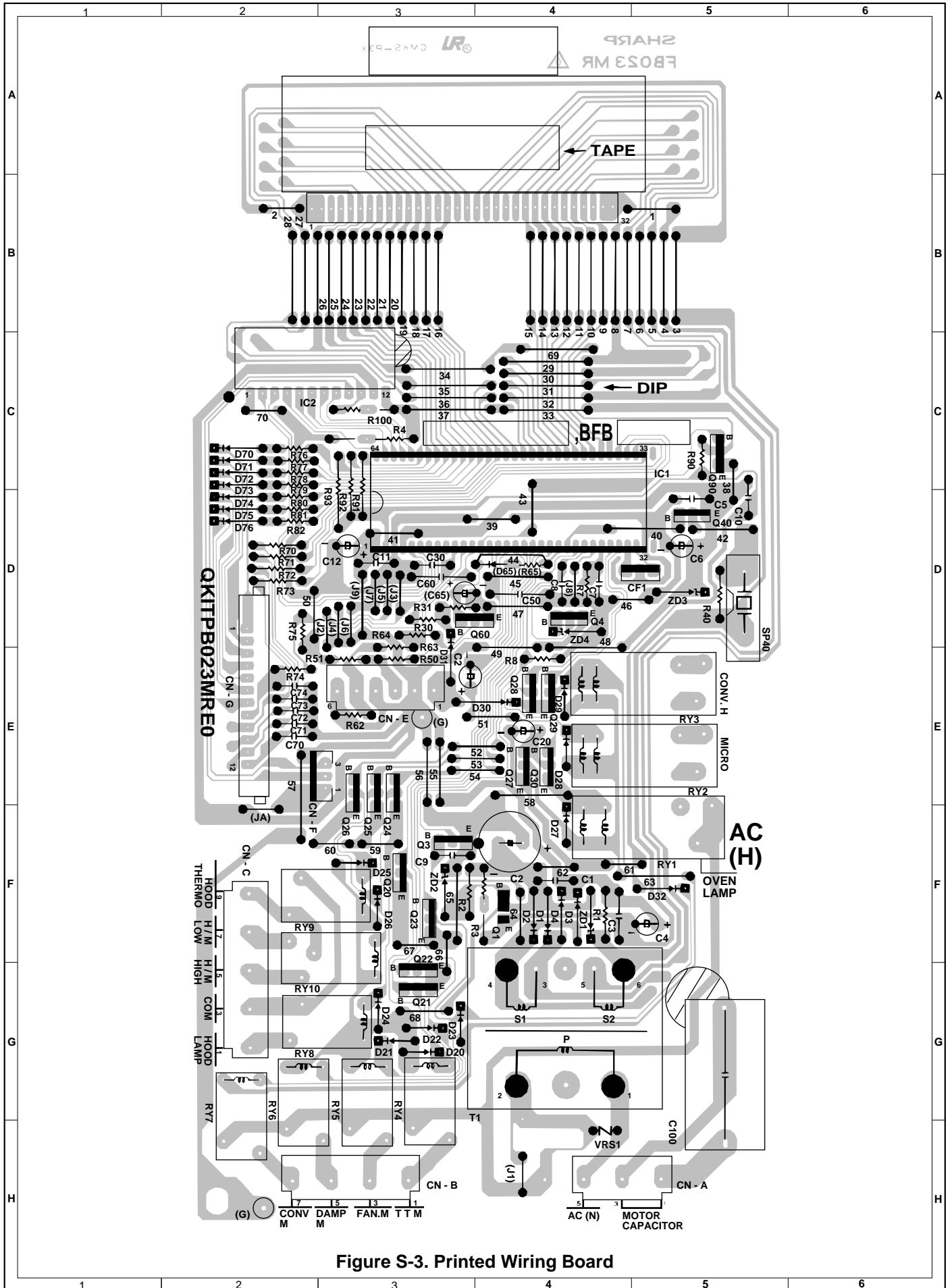


Figure S-3. Printed Wiring Board

## PARTS LIST

"§" MARK: PARTS DELIVERY SECTION.

REF. NO.	PART NO.	§	DESCRIPTION	Q'TY	CODE
<b>ELECTRIC PARTS</b>					
1- 1	FH-DZB010MRY0	M	High voltage rectifier assembly	1	AM
1- 2	RC-QZB011MRE0	M	High voltage capacitor	1	AR
1- 3	QFS-TA013WRE0	M	Temperature fuse 150°C	1	AG
1- 4	RHET-A174WRE0	M	Convection heater	1	AZ
1- 5	RMOTDA182WRE0	M	Turntable motor	1	AQ
1- 6	RMOTDA214WRE0	M	Stirrer motor	1	AQ
1- 7	RTHM-B005MRE0	M	Thermal cut-out N.O. 60°C	1	AG
1- 8	RTRN-B049MRE0	M	Power transformer	1	BF
1- 9	RV-MZA255WRE0	M	Magnetron	1	BE
1-10	QFSHDB003MRE0	M	Fuse holder	1	AD
1-11	QSW-MA110WRE0	M	Secondary interlock, door sensing and damper switches	3	AE
1-12	FFS-BA016/KIT	M	Monitor switch with fuse assembly	1	AF
1-13	FACCDB011MRE0	M	Power supply cord	1	AP
1-14	QSOCLB006MRE0	M	Hood lamp socket	2	AE
1-15	FH-HZA053WRE0	M	Thermistor	1	AP
1-16	QSOCLB006MRE0	M	Oven lamp socket	1	AE
1-17	FMOTEA278WRK0	M	Hood fan motor	1	BM
1-18	RMOTEA343WRE0	M	Convection motor	1	AX
1-19	RMOTEA344WRE0	M	Fan motor	1	AW
1-20	RLMPTA036WRE0	M	Hood lamp and oven lamp	3	AG
1-21	FDTCTA171WRK0	M	AH sensor	1	AW
1-22	RMOTDA217WRE0	M	Damper motor	1	AP
<b>CABINET PARTS</b>					
2- 1	PFIL-B002MRE0	M	Grease filter	2	AF
2- 2	PDIF-B011MRF0	M	Hood exhaust louver [R-1850]	1	AV
2- 2	PDIF-B012MRF0	M	Hood exhaust louver [R-1851]	1	AV
2- 3	GDAI-B038MRP0	M	Base plate right	1	AL
2- 4	GDAI-B039MRP0	M	Base plate left	1	AH
2- 5	GCABUB065MRP0	M	Outer case cabinet	1	BC
2- 6	TMAPCB050MRRO	M	Schematic diagram	1	AB
2- 7	FANGKB009MRY0	M	Hood lamp glass assembly [R-1850]	1	AN
2- 7	FANGKB010MRY0	M	Hood lamp glass assembly [R-1851]	1	AM
2-7-1	LANGQB016MRP0	M	Hood lamp glass angle [R-1850]	1	AG
2-7-1	LANGQB020MRP0	M	Hood lamp glass angle [R-1851]	1	AG
2-7-2	PGLSPB004MRE0	M	Hood lamp glass	1	AH
2- 8	PCOVVPB030MRE0	M	Base cover [R-1850]	1	AX
2- 8	PCOVVPB031MRE0	M	Base cover [R-1851]	1	AX
2- 9	HDECQB016MRF0	M	Sash left [R-1850]	1	AL
2- 9	HDECQB017MRF0	M	Sash left [R-1851]	1	AL
2-10	LSTY-B010MRP0	M	Rear stay	1	AG
<b>CONTROL PANEL PARTS</b>					
3- 1	DPWBF061MRU0	M	Control unit	1	BQ
3- 1A	QCNCMA227DRE0	J	3-pin connector CN-A	1	AC
3- 1B	QCNCMA230DRE0	J	4-pin connector CN-B	1	AC
3- 1C	QCNCMA234DRE0	J	5-pin connector CN-C	1	AC
3- 1D	QCNCMA267DRE0	J	6-pin connector CN-E	1	AC
3- 1E	QCNCMA237DRE0	J	3-pin connector CN-F	1	AD
3- 1F	QCNCWA030DRE0	J	12-pin connector CN-G	1	AE
3- 1G	RV-KXB003MRE0	M	Fluorescent display tube	1	AV
3- 1H	PTPEHB010MRE0	M	Tape 2mm	1	AB
C1	RC-KZA087DRE0	J	Capacitor 0.1 uF 50V	1	AB
C2	VCEAB31VW108M	J	Capacitor 1000 uF 35V	1	AF
C3	RC-KZA087DRE0	J	Capacitor 0.1 uF 50V	1	AB
C4	VCEAB31VW106M	J	Capacitor 10 uF 35V	1	AB
C5	RC-KZA087DRE0	J	Capacitor 0.1 uF 50V	1	AB
C6	VCEAB31VW106M	J	Capacitor 10 uF 35V	1	AB
C7-8	VCKYD11CY103N	J	Capacitor 0.01 uF 16V	2	AH
C9-10	RC-KZA087DRE0	J	Capacitor 0.1 uF 50V	2	AB
C20	VCEAB31VW106M	J	Capacitor 10 uF 35V	1	AB
C21	VCEAB31HW104M	J	Capacitor 0.1 uF 50V	1	AM
C30	VCKYD11CY103N	J	Capacitor 0.01 uF 16V	1	AH
C50	VCKYD11CY103N	J	Capacitor 0.01 uF 16V	1	AH
C60	VCKYD11CY103N	J	Capacitor 0.01 uF 16V	1	AH
C70-74	VCKYD11HB331K	J	Capacitor 330 pF 50V	5	AA
C100	RC-QZB014MRE0	M	Capacitor 7 uF 230V	1	AM
CF1	RCRS-A010DRE0	J	Ceramic resonator (CST4.00MGW)	1	AD

REF. NO.	PART NO.	§	DESCRIPTION	Q'TY	CODE
D1-4	VHD11ES1///-1	J	Diode (11ES1)	4	AB
D20-32	VHD1SS270A/-1	J	Diode (1SS270A)	13	AA
D70-76	VHD1SS270A/-1	J	Diode (1SS270A)	7	AA
IC1	RH-IZA719DRE0	J	LSI	1	AW
IC2	RH-IZA495DRE0	J	IC	1	AL
Q1	VS2SB1238///-3	J	Transistor (2SB1238)	1	AA
Q3	VSKRA101M///-3	J	Transistor (KRA101M)	1	AB
Q4	VSDTA123ES/-3	J	Transistor (DTA123ES)	1	AA
Q20-26	VSKRA101M///-3	J	Transistor (KRA101M)	7	AB
Q27	VSKRC243M///-3	J	Transistor (KRC243M)	1	AB
Q28-30	VSKRA101M///-3	J	Transistor (KRA101M)	3	AB
Q40	VSKRA101M///-3	J	Transistor (KRA101M)	1	AB
Q60	VSKRC101M///-3	J	Transistor (KRC101M)	1	AB
Q90	VSKRA101M///-3	J	Transistor (KRA101M)	1	AB
R1	VRD-B12HF432J	J	Resistor 4.3k ohm 1/2W	1	AH
R2	VRD-B12EF152J	J	Resistor 1.5k ohm 1/4W	1	AA
R3	VRS-B13AA681J	J	Resistor 680 ohm 1W	1	AA
R4	VRD-B12HF511J	J	Resistor 510 ohm 1/2W	1	AB
R7-8	VRD-B12EF472J	J	Resistor 4.7k ohm 1/4W	2	AA
R30	VRD-B12EF153J	J	Resistor 15k ohm 1/4W	1	AA
R31	VRD-B12EF472J	J	Resistor 4.7k ohm 1/4W	1	AA
R40	VRD-B12EF332J	J	Resistor 3.3k ohm 1/4W	1	AA
R50	VRD-B12EF153J	J	Resistor 15k ohm 1/4W	1	AA
R51	VRD-B12EF472J	J	Resistor 4.7k ohm 1/4W	1	AA
R62	VRN-B12EK363F	J	Resistor 36k ohm 1/4W	1	AA
R63	VRN-B12EK221F	J	Resistor 220 ohm 1/4W	1	AB
R64	VRN-B12EK362F	J	Resistor 3.6k ohm 1/4W	1	AA
R70-74	VRD-B12EF332J	J	Resistor 3.3k ohm 1/4W	5	AA
R75	VRD-B12EF104J	J	Resistor 100k ohm 1/4W	1	AA
R76-82	VRD-B12EF332J	J	Resistor 3.3k ohm 1/4W	7	AA
R90-93	VRD-B12EF104J	J	Resistor 100k ohm 1/4W	4	AA
R100	VRS-B13AA331J	J	Resistor 330 ohm 1W	1	AA
RY1-3	RRLY-B002MRE0	M	Relay (DU24D1-1P(M))	3	AH
RY4-9	RRLY-A075DRE0	J	Relay (OJE-SS-124LM)	6	AG
RY10	RRLY-B001MRE0	M	Relay (VE-24HSF-K)	1	AM
SP40	RALM-A014DRE0	J	Buzzer (PKM22EPT)	1	AG
T1	RTRNPB004MRE0	M	Transformer	1	AN
VRS1	RH-VZA032DRE0	J	Varistor (10G471K)	1	AE
ZD1	VHEHZ6A3///-1	J	Zener diode (HZ6A-3)	1	AC
ZD2	VHEHZ161///-1	J	Zener diode (HZ16-1)	1	AA
ZD3	VHEHZ5C2///-1	J	Zener diode (HZ5C-2)	1	AA
ZD4	VHEHZ4A2///-1	J	Zener diode (HZ4A-2)	1	AA
3- 2	FPNLCB153MRK0	M	Control panel sub. assembly [R-1850]	1	BB
3- 2	FPNLCB154MRK0	M	Control panel sub. assembly [R-1851]	1	BB
3- 2-1	FUNTKB108MRE0	M	Key unit [R-1850]	1	AX
3- 2-1	FUNTKB109MRE0	M	Key unit [R-1851]	1	AX
3- 2-2	GMADIB023MRF0	M	Display window	1	AD
3- 2-3	MSPRTA050WRE0	M	Open button spring	1	AA
3- 2-4	JBTN-B053MRF0	M	Open button [R-1850]	1	AD
3- 2-4	JBTN-B054MRF0	M	Open button [R-1851]	1	AD
3- 2-5	JBTN-B055MRF0	M	Select button [R-1850]	1	AC
3- 2-5	JBTN-B056MRF0	M	Select button [R-1851]	1	AC
3- 2-6	LANGQB036MRP0	M	Key fixing	1	AL
3- 3	PCUSUB023MRP0	M	Cushion	1	AA
3- 4	XEPSD30P10XS0	M	Screw; 3mm x 10mm	5	AA

## OVEN PARTS

4- 1	FFTA-B002MRK0	M	Exhaust damper assembly	1	AM
4- 2	FROLPB020MRK0	M	Turntable support assembly	1	AS
4- 3	NTNT-B006MRE0	M	Turntable tray	1	AZ
4- 4	LANGKB010MRP0	M	Capacitor holder	1	BB
4- 5	FCOVVP002MRY0	M	Stirrer cover assembly	1	AM
4- 6	FFAN-B003MRK0	M	Stirrer fan assembly	1	AL
4- 7	FOVN-B061MRY0	M	Oven cavity	1	AP
4- 8	FDUC-B023MRK0	M	Convection heater duct assembly	1	AT
4- 9	NCPL-B006MRF0	M	Coupling	1	AE
4-10	NFANMB003MRK0	M	Convection motor fan	1	AE
4-11	LANGQB031MRP0	M	Convection motor angle	1	AF
4-12	PPACGB013MRE0	M	Turntable motor packing	1	AC
4-13	LBNDK0054WRE0	M	Heater mounting holder	2	AD
4-14	NFANMB004MRP0	M	Convection fan	1	AE
4-15	PHOK-B013MRF0	M	Latch hook	1	AG
4-16	FANGTB003MRY0	M	Unit mounting plate	1	AV

REF. NO.	PART NO.	§	DESCRIPTION	Q'TY	CODE
4-17	PFPF-B002MRE0	M	Heat protect L	1	AK
4-18	PIPFB002MRE0	M	Coller	1	AD
4-19	PREFHB006MRP0	M	Heater cover L	1	AM
4-20	PDUC-B055MRP0	M	Hood intake duct L	1	AG
4-21	NFANPB004MRK0	M	Fan blade	1	AC
4-22	GBDYRB002MRP0	M	Back plate	1	AX
4-23	FDUC-B025MRK0	M	Fan duct	1	AM
4-24	LBSHC0037WRE0	M	Cord bushing	1	AB
4-25	FDUC-B022MRK0	M	Exhaust duct	1	AK
4-26	MLEVPB013MRF0	M	Open lever	1	AD
4-27	PCUSGB030MRP0	M	Cushion	1	AC
4-28	MCAMPB001MRF0	M	Damper cam	1	AC
4-29	PCUSGB032MRP0	M	Damper cushion	1	AC
4-30	PFPF-B001MRE0	M	Heat protect R	1	AD
4-31	PFTA-B003MRP0	M	Damper plate	1	AD
4-32	PREFHB004MRP0	M	Thermal cover R	1	AK
4-33	LANGQB033MRP0	M	Hood lamp angle	1	AM
4-34	PREFHB005MRP0	M	Thermal cover bottom	1	AK
4-35	LSTPPB024MRF0	M	Door stopper	1	AD
4-36	PCOVBP047MRP0	M	Oven lamp cover	1	AD
4-37	PCOVBP050MRP0	M	Heat protect top sheet	1	AK
4-38	PCUSGB027MRP0	M	Cushion	1	AA
4-39	PDUC-B056MRF0	M	Hood exhaust duct	1	AY
4-40	PDUC-B057MRP0	M	Top duct	1	AN
4-41	PDUC-B058MRF0	M	Magnetron duct	1	AD
4-42	PDUC-B060MRP0	M	Hood intake duct R	1	AH
4-43	PFILWA035WRE0	M	Oven light screen	1	AF
4-44	PFPF-B003MRE0	M	Heat protect top	1	AE
4-45	PCUSUB018MRP0	M	Exhaust cushion A	1	AA
4-46	PCUSUB019MRP0	M	Exhaust cushion B	1	AA
4-47	PCUSUB020MRP0	M	Cushion	1	AA
4-48	PCUSUB021MRP0	M	Cushion	1	AA
4-49	PCUSUB024MRP0	M	Cushion	1	AD
4-50	PCUSGB031MRP0	M	Cushion	1	AA

## DOOR PARTS

5	CDORFB166MRK0	M	Door assembly, complete [R-1850]	1	BL
5	CDORFB167MRK0	M	Door assembly, complete [R-1851]	1	BN
5- 1	DDORFB069MRY0	M	Door panel assembly	1	BB
5- 2	GWAKPB058MRF0	M	Door frame [R-1850]	1	AS
5- 2	GWAKPB059MRF0	M	Door frame [R-1851]	1	AS
5- 3	PGLSPB008MRR0	M	Door glass front [R-1850]	1	AV
5- 3	PGLSPB010MRR0	M	Door glass front [R-1851]	1	AV
5- 4	GCOVHB031MRF0	M	Choke cover	1	AM
5- 5	LSTPPB025MRF0	M	Latch head	1	AE
5- 6	LSTPPB028MRF0	M	Glass stopper	1	AD
5- 7	MSPRTA046WRE0	M	Latch spring	1	AB
5- 8	PCUSUB022MRP0	M	Cushion	1	AC
5- 9	XCTSD40P08000	M	Screw : 4mm x 8mm	6	AA

## MISCELLANEOUS

6- 1	CFZK-B182MRK0	M	Installation material assembly	1	AN
6-1-1	LBSHC0040MRE0	M	Grommet	1	AC
6-1-2	LX-BZ0195WRE0	M	Toggle screw	4	AC
6-1-3	LX-MZ0001WRE0	M	Cord holder	1	AC
6-1-4	XBRSD50P60000	M	Screw : 5mm x 60mm	2	AC
6-1-5	XOTSD40P12000	M	Screw : 4mm x 12mm	1	AA
6-1-6	XTSSD50P35000	M	Screw : 5mm x 35mm	6	AA
6-1-7	XWHSD50-16300	M	Washer	2	AA
6- 2	TINSEB141MRR0	M	Installation instruction	1	AD
6- 3	TINSEB142MRR0	M	Operation manual	1	AF
6- 4	TINSKB018MRR0	M	Top template	1	AD
6- 5	TINSKB019MRR0	M	Wall template	1	AD
6- 6	QW-QZB011MRE0	M	High voltage wire A	1	AD
6- 7	TCADCB012MRR0	M	Cook book	1	AP
6- 8	FW-VZB111MRE0	M	Main harness A	1	AY
6- 9	UAMI-B007MRM0	M	High rack	1	AQ
6-10	UAMI-B008MRM0	M	Low rack	1	AP
6-11	FW-VZB077MRE0	M	Main harness C	1	AH
6-12	TCAUAA025WRR0	M	Caution label	1	AA
6-13	TCAUAB019MRR0	M	DHHS caution label	1	AA
6-14	TCAUAB015MRR0	M	Monitor caution label	1	AA

REF. NO.	PART NO.	§	DESCRIPTION	Q'TY	CODE
<b>SCREWS,NUTS AND WASHERS</b>					
7- 1	XCPD40P08000	M	Screw : 4mm x 8mm	2	AA
7- 2	XOTSF40P10000	M	Screw : 4mm x 10mm (black) [R-1850]	3	AB
7- 2	XOTSE40P10000	M	Screw : 4mm x 10mm (white) [R-1851]	3	AC
7- 3	XCBSD30P08000	M	Screw : 3mm x 8mm	2	AA
7- 4	XBTSD40P08RV0	M	Screw : 3mm x 6mm	2	AA
7- 5	XCBSD30P08000	M	Screw : 3mm x 8mm	2	AA
7- 6	XBTWW40P06000	M	Screw : 4mm x 6mm	2	AA
7- 7	XOTSD40P12000	M	Screw : 4mm x 12mm	24	AA
7- 8	XOTSF40P10000	M	Screw : 4mm x 10mm [R-1850]	1	AA
7- 8	XOTSC40P10000	M	Screw : 4mm x 10mm [R-1851]	1	AA
7- 9	XBTSD40P08000	M	Screw : 4mm x 8mm	2	AA
7-10	LX-BZB011MRE0	M	Unit mounting screw	2	AH
7-11	LX-CZA038WRE0	M	Special screw	4	AA
7-12	XCBWW30P06000	M	Screw : 3mm x 6mm	5	AA
7-13	LX-CZ0052WRE0	M	Special screw	2	AA
7-14	XCTWW40P08RV0	M	Screw : 4mm x 8mm	2	AA
7-15	XRES40-06000	M	E-ring	1	AA
7-16	XOTSD40P12000	M	Screw : 4mm x 12mm	2	AC
7-17	XCTWW40P08000	M	Screw : 4mm x 8mm	1	AA
7-18	XNEUW40-32000	M	Nut: 4mm x 3.2mm	1	AB
7-19	XWSUW40-10000	M	Spring Washer	1	AA
7-20	LX-BZ0081YBE0	M	Screw : 4mm x 8mm	9	AA
7-21	XWHSD50-20120	M	Washer : 5mm x 2mm	1	AA
7-22	XWHUW40-08100	M	Washer : 4mm x 0.8mm	2	AA
7-23	XWHUW50-08120	M	Washer : 5mm x 0.8mm	1	AA
7-24	XOTSD40P08000	M	Screw : 4mm x 8mm	9	AA
7-25	XOTWW40P10000	M	Screw : 4mm x 10mm	10	AA

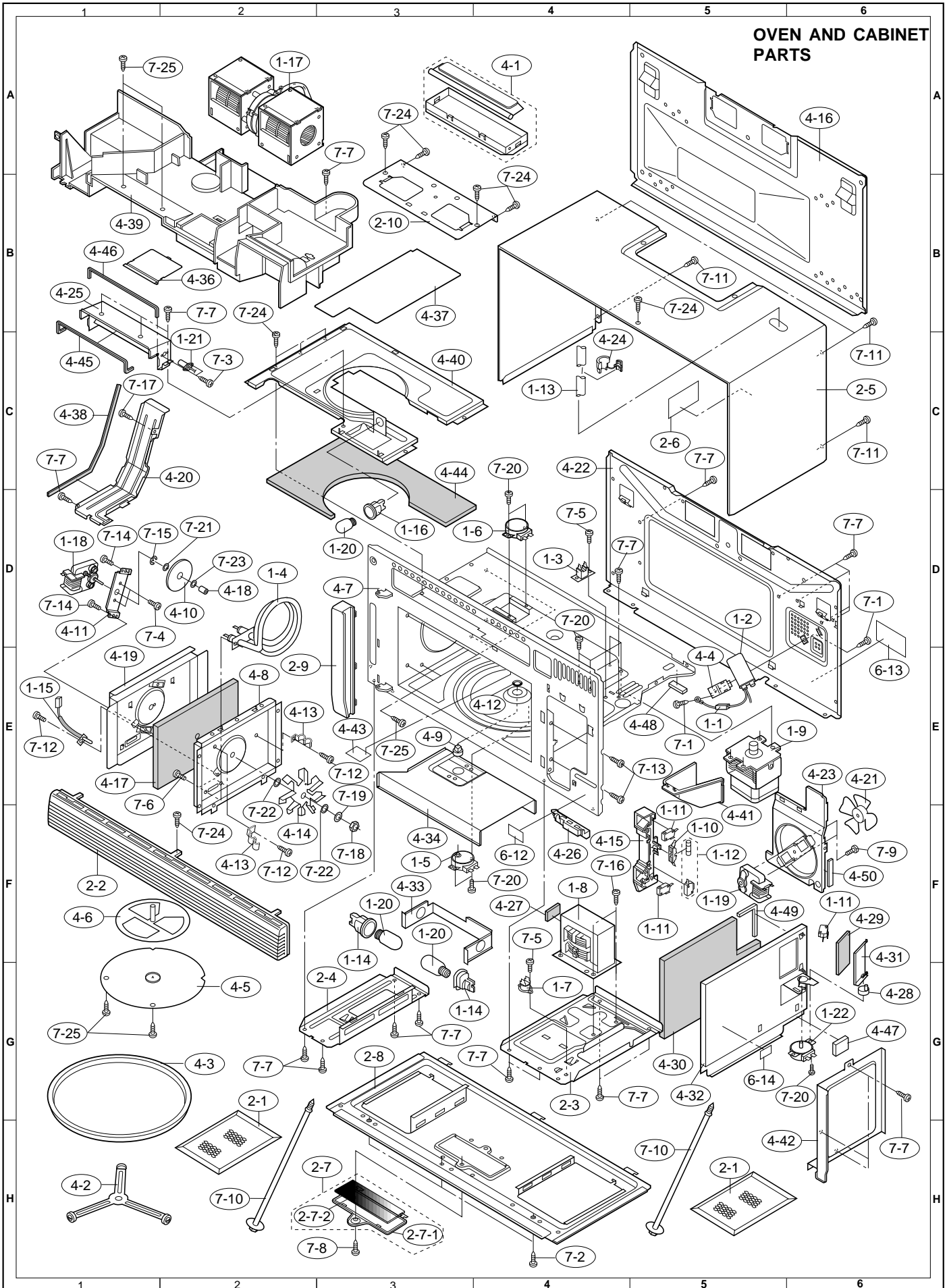
#### HOW TO ORDER REPLACEMENT PARTS

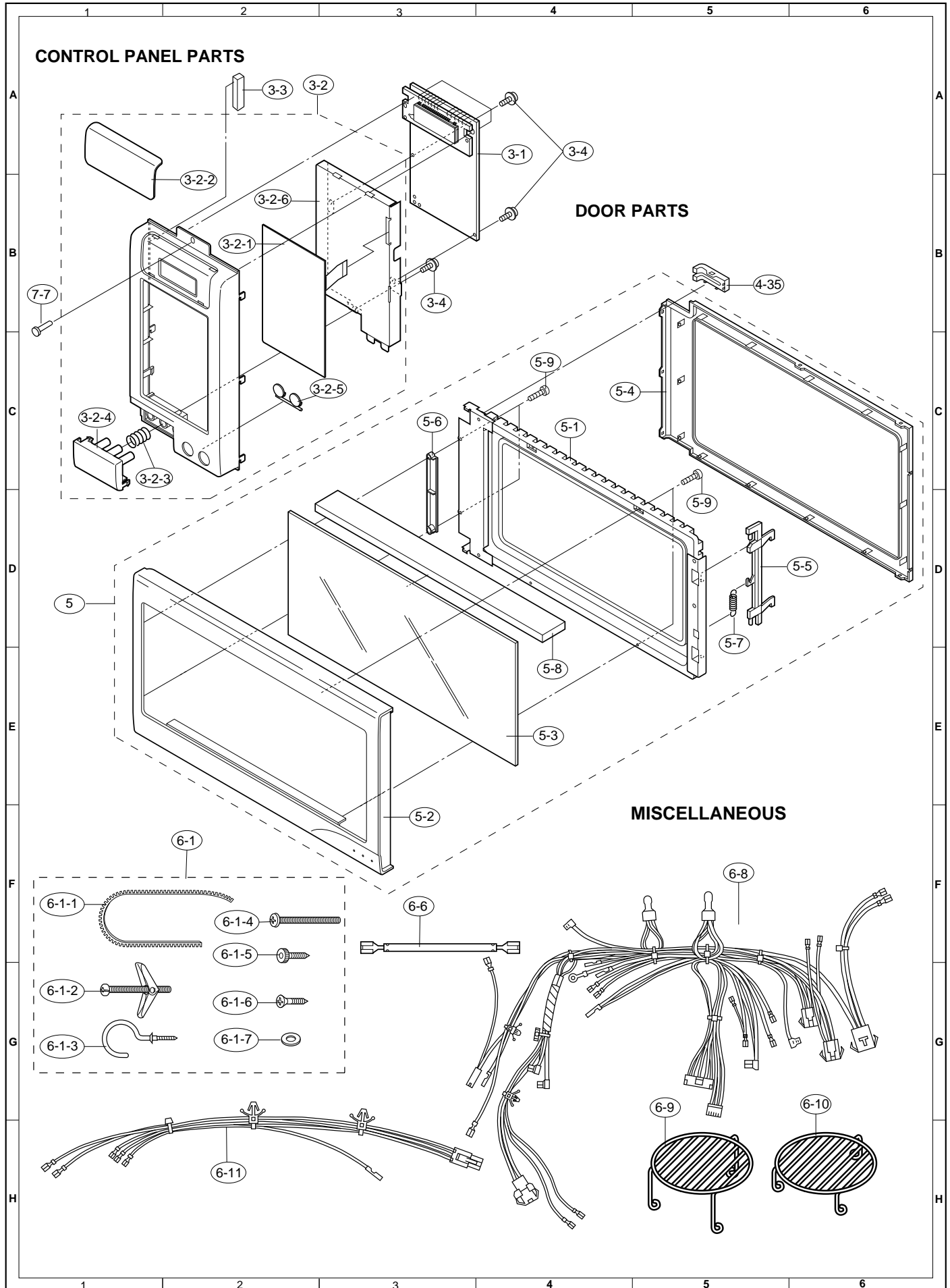
To have your order filled promptly and correctly, please furnish the following information.

1. MODEL NUMBER 2. REF. NO. 3. PART NO. 4. DESCRIPTION

Order Parts from the authorized SHARP parts Distributor for your area.

Defective parts required return should be returned as indicated in the Service Policy.





## PACKING AND ACCESSORIES

