

This Owner's Manual is provided and hosted by [Appliance Factory Parts](#).



Kenmore 68360 Owner's Manual

[Shop genuine replacement parts for Kenmore 68360](#)



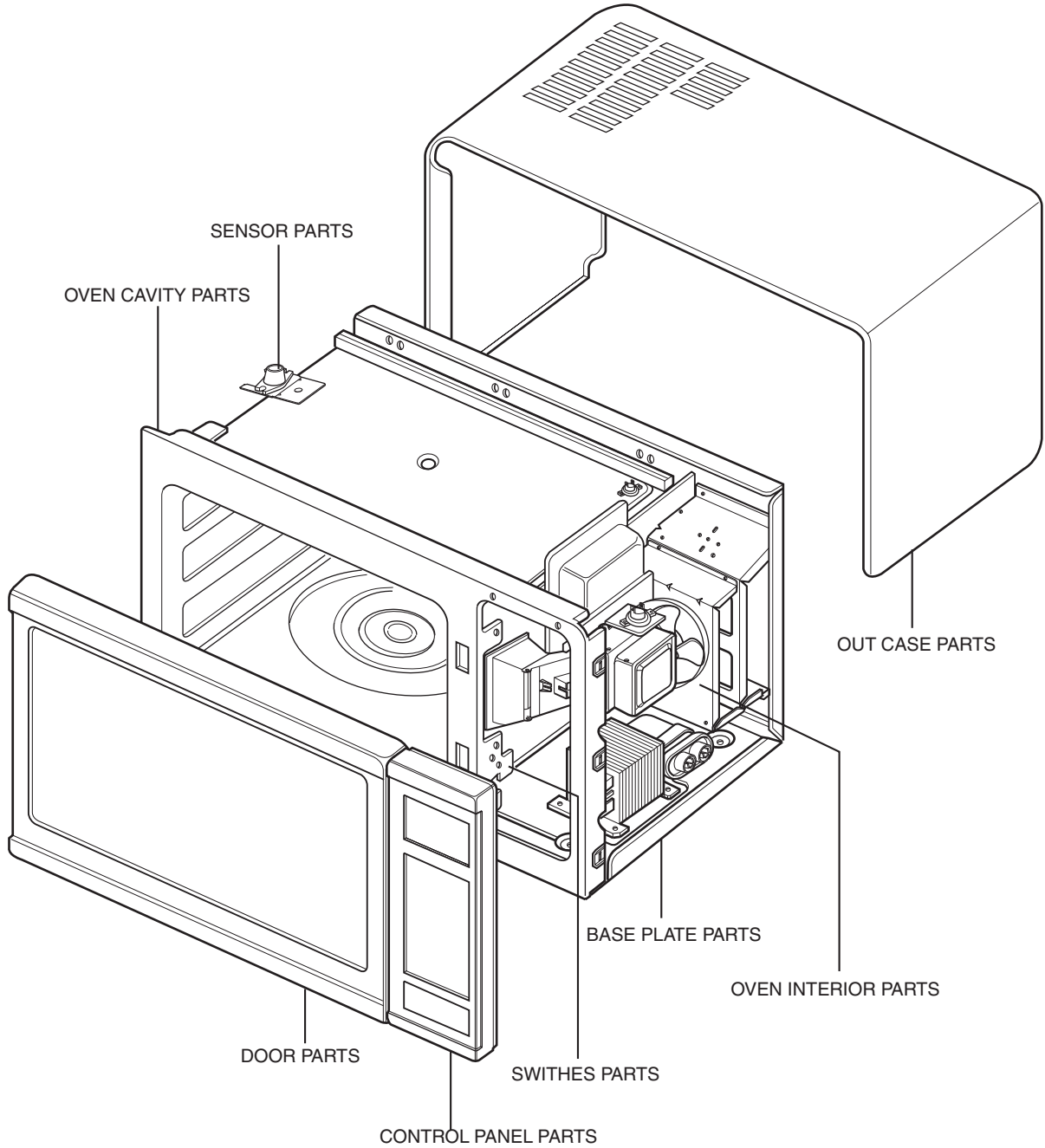
[Find Your Kenmore Microwave Parts - Select From 532 Models](#)

----- Manual continues below -----

EXPLODED VIEW AND PARTS LIST

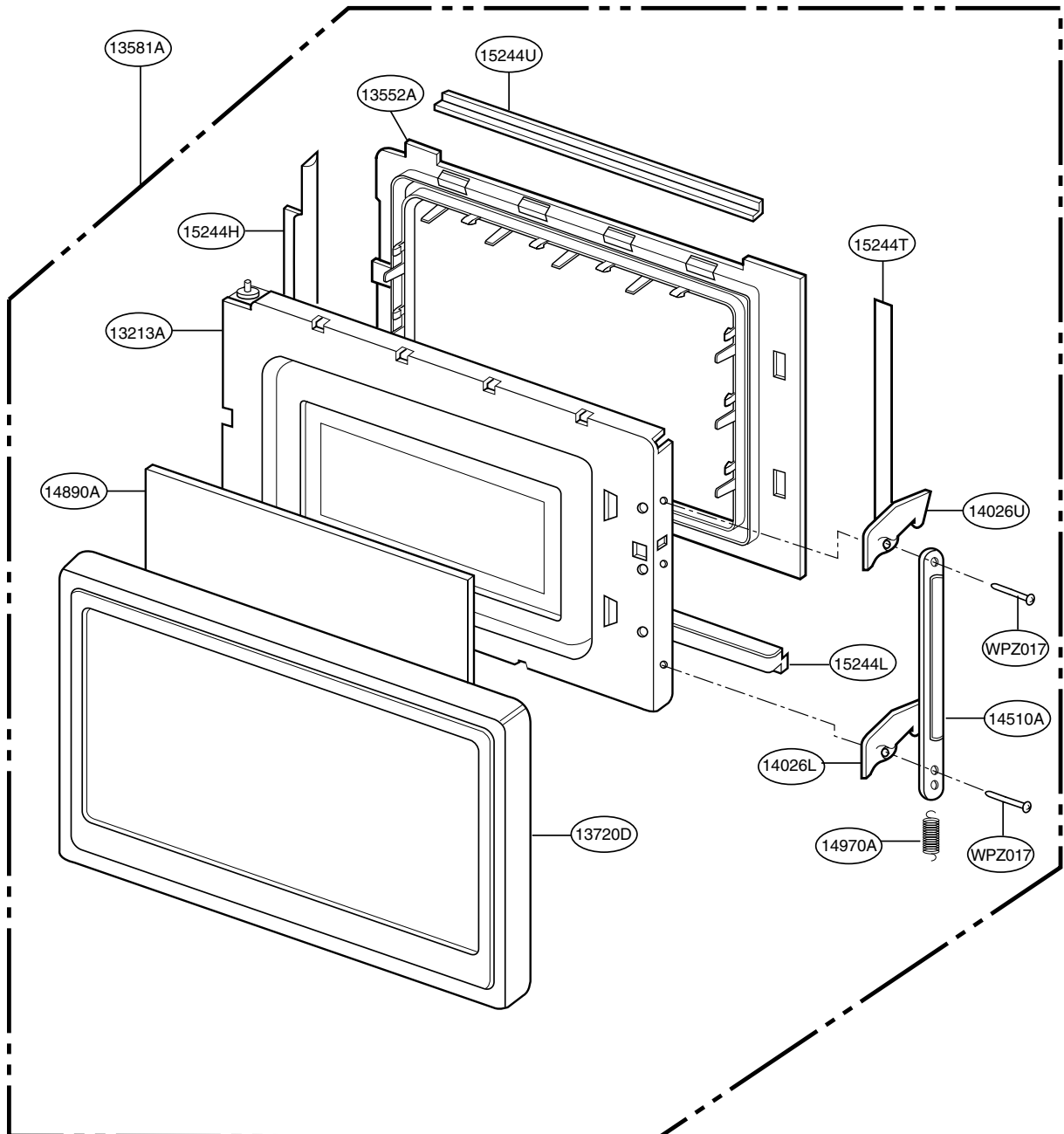
INTRODUCTION

MODEL: 721.68361890
721.68360790

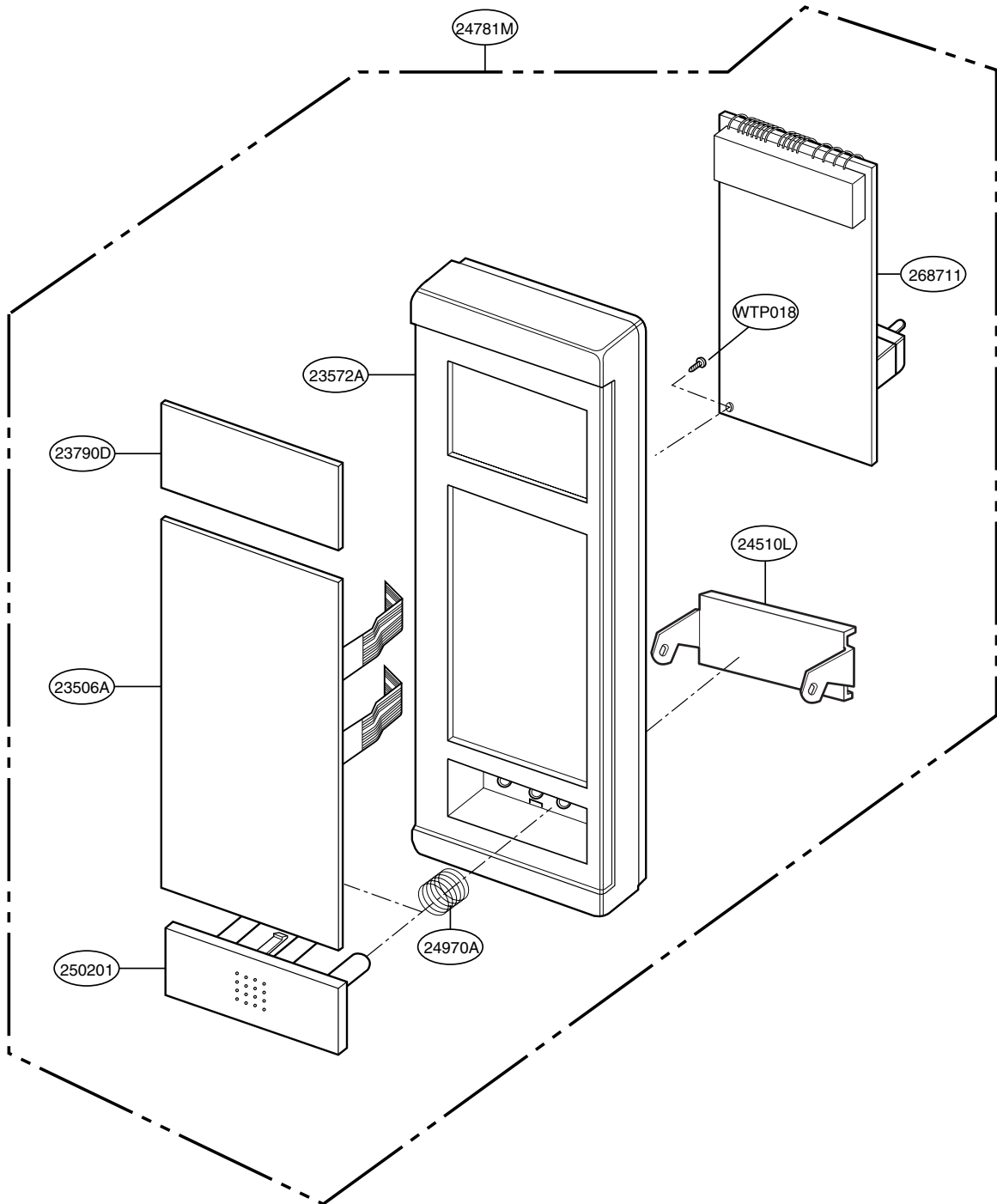


P/NO : 3828W5S0600

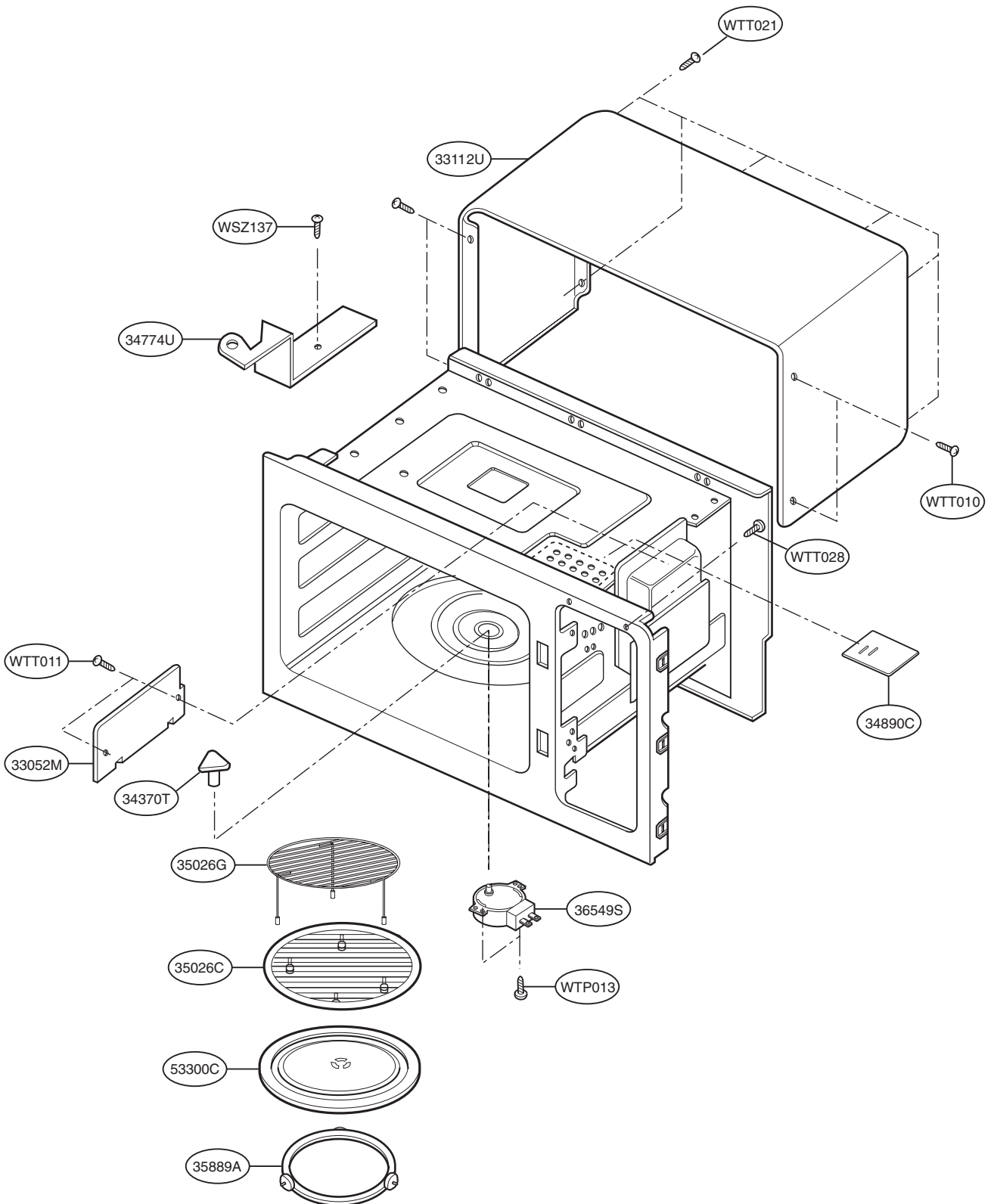
1. DOOR PARTS



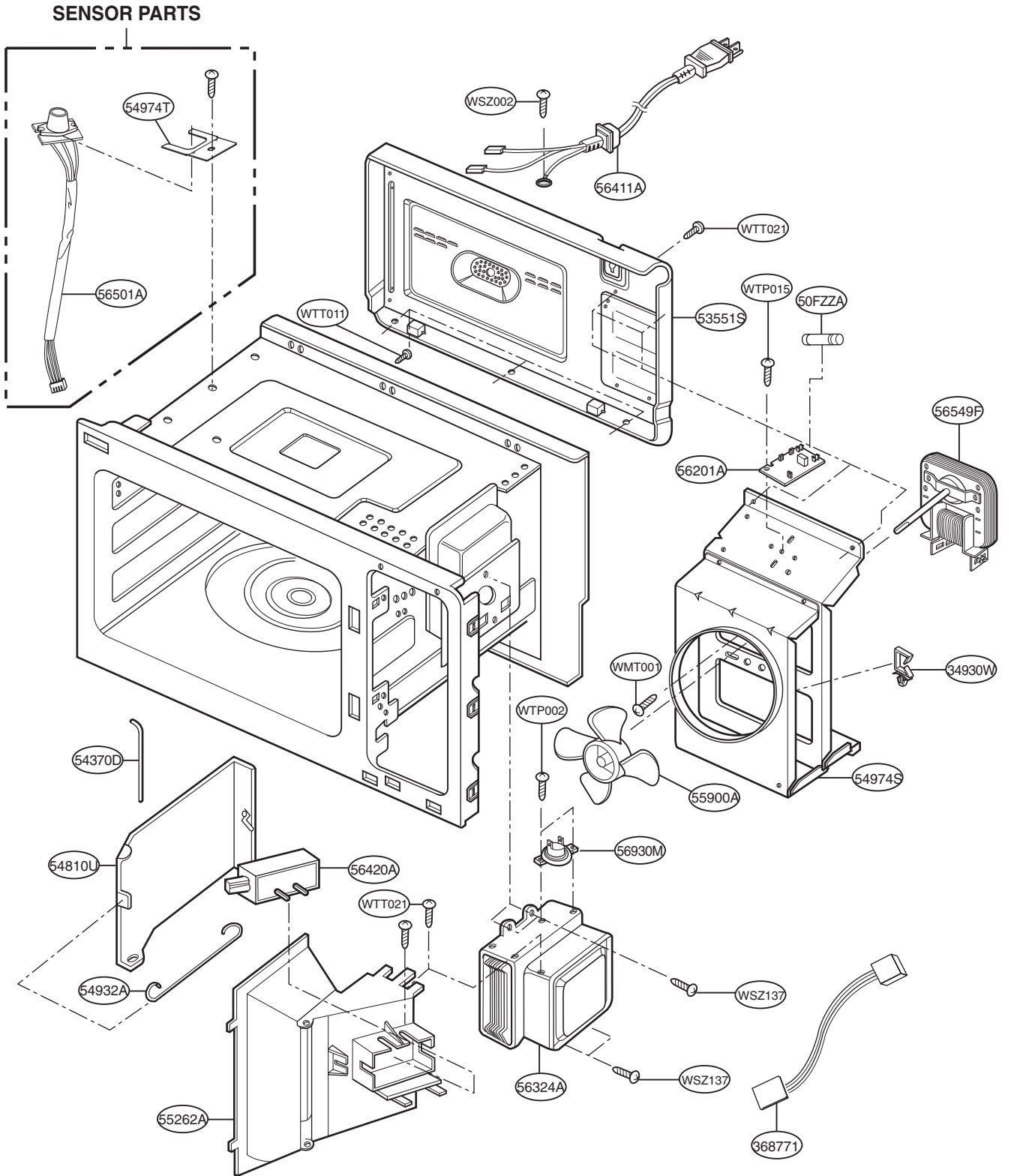
2. CONTROL PANEL PARTS



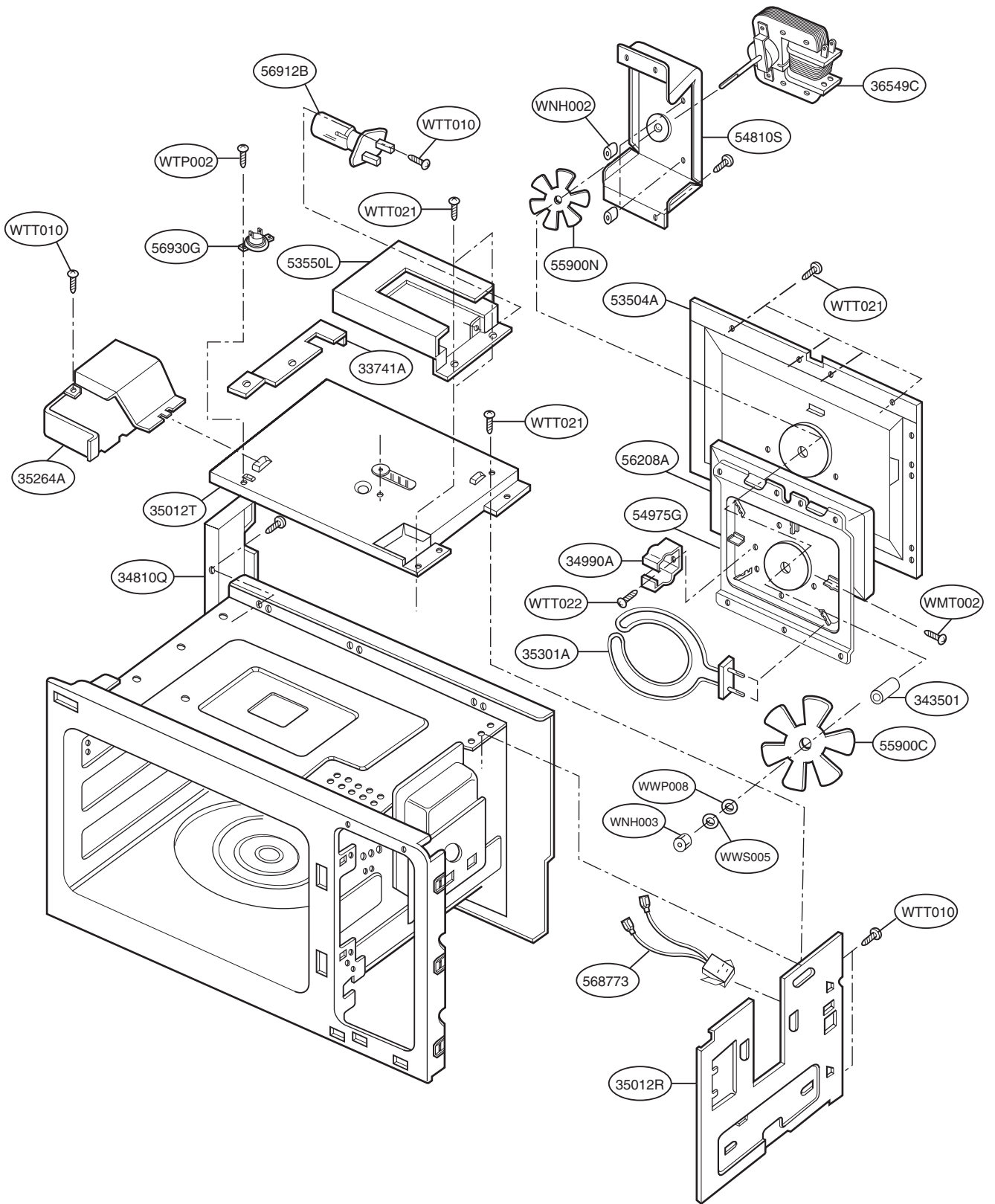
3. OVEN CAVITY PARTS



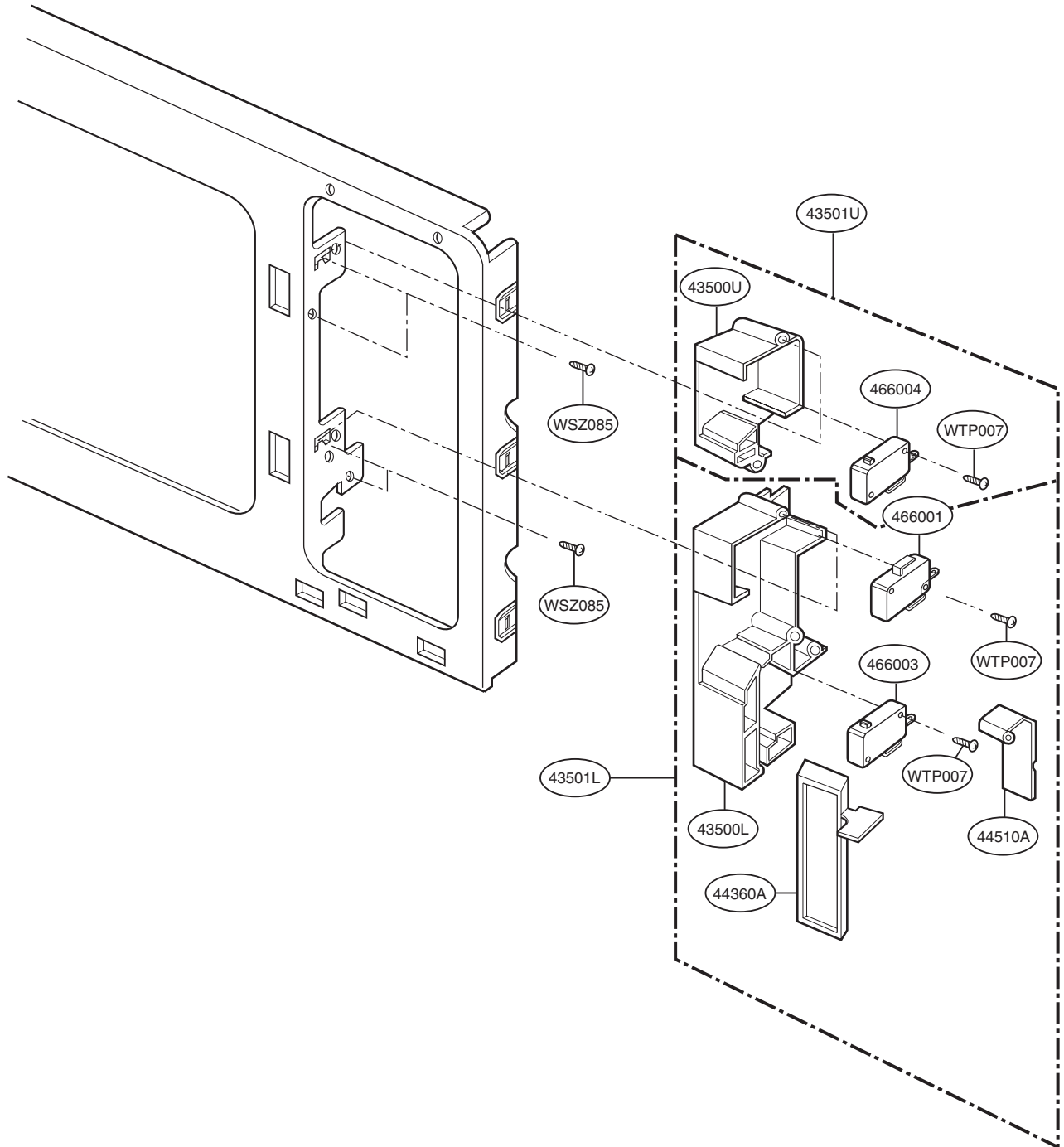
4. OVEN INTERIOR PARTS (1)



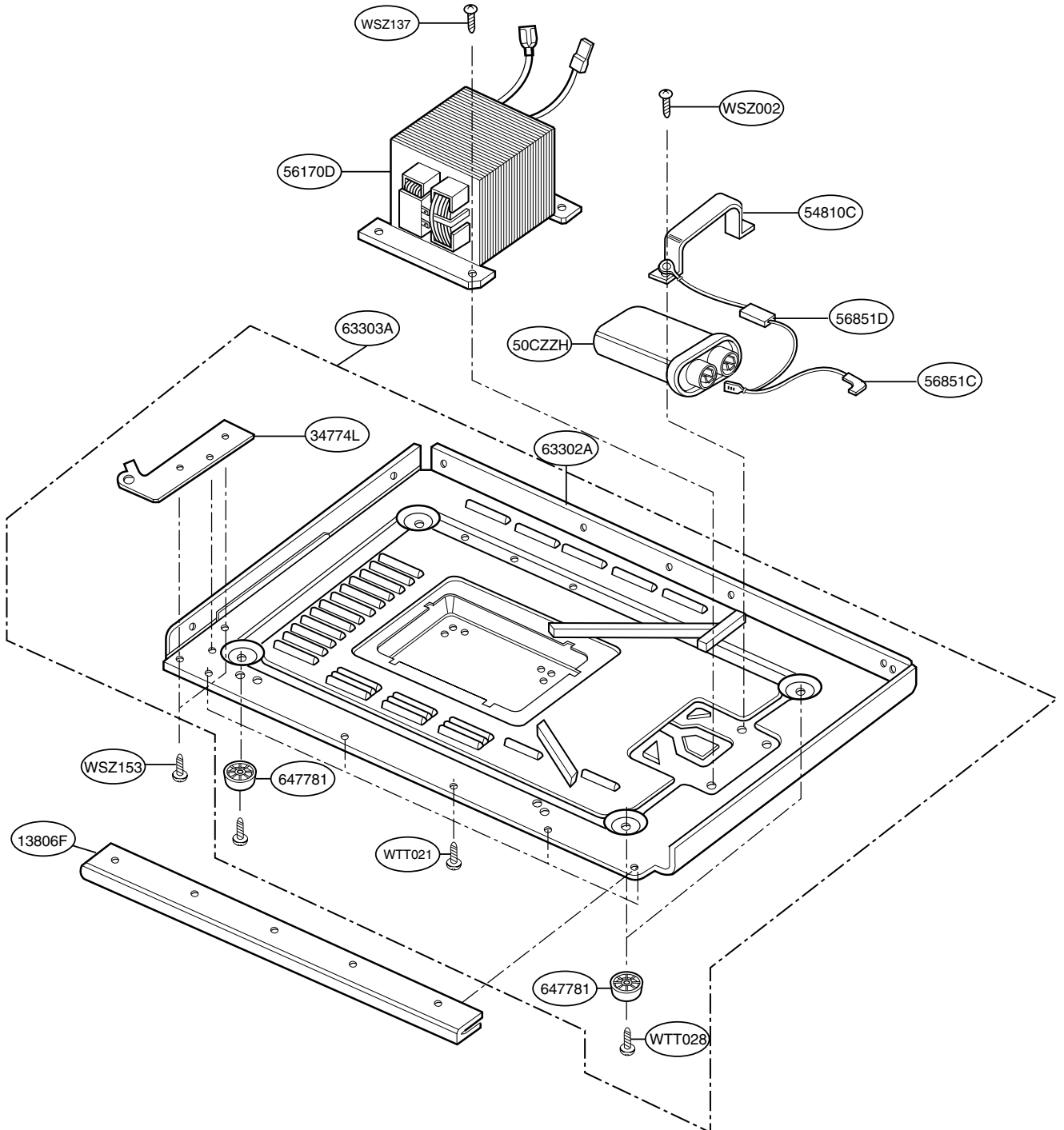
5. OVEN INTERIOR PARTS (2)



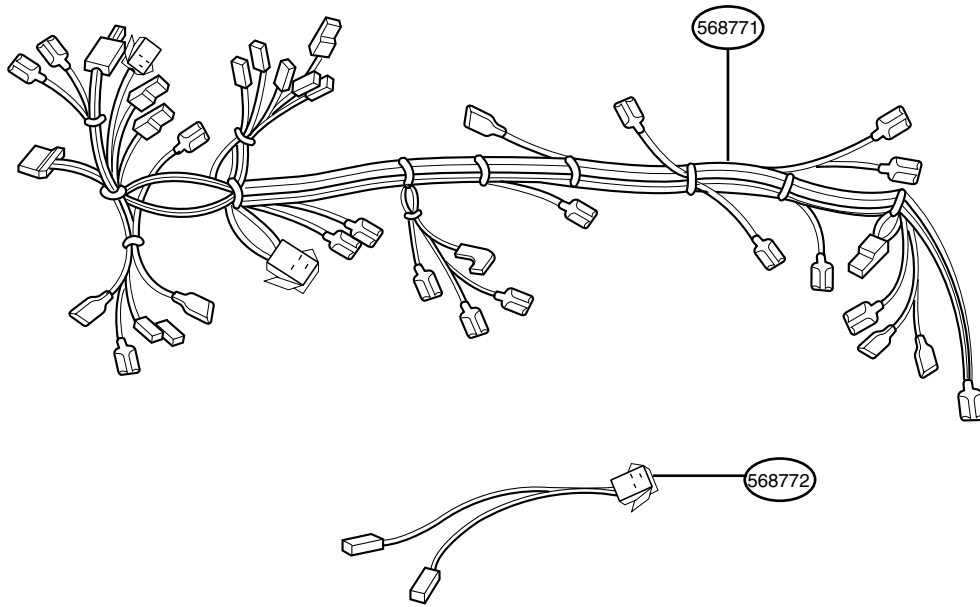
6. SWITCHES PARTS



7. BASE PLATE PARTS



8. WIRING HARNESS PARTS



REPLACEMENT PARTS LIST

For Model: 721.68361890

Rev.1 Sep 04, 2006

LOC. NO.	PART NO.	DESCRIPTION	SVC	ALTERNATE
*01	3828W5A0925	Manual,Owners	R	
*07	3858W3T014X	Card,Technical	R	
*10	3890W2Y042L	Box	R	
13213A	1B71582C	Frame Assembly,Door	R	
13552A	1B71371A	Cover,Choke	R	
13581A	3581W1A147K	Door Assembly	R	
13720D	3720W1D025C	Panel,Door	R	
13806F	3B70060D	Decor,Front	R	
14026L	3B71930A	Locker	R	
14026U	3B71929A	Locker	R	
14510A	3B72692A	Lever	R	
14890A	4890W2D047A	Window	R	
14970A	4B73100A	Spring	R	
15244H	4B74139B	Gasket	R	
15244L	4B74141B	Gasket	R	
15244T	4B74140B	Gasket	R	
15244U	4B74142B	Gasket	R	
23506A	6638W2A134B	Membrane	R	
23572A	3572W1A043C	Panel,Control	R	
23790D	3790W3D009B	Window,Display	R	
24510L	3B73251A	Lever	R	
24781M	4781W1M160L	Controller Assembly,Keypad	R	
24970A	4B72388A	Spring	R	
250201	5020W3G044G	Button	R	
268711	5247W2YS76A	PCB Assembly,Sub	R	
33052M	4B73904A	Cover,Insulator	R	
33112U	0B71047J	Case,U Bending	R	
33741A	3B73691A	Supporter Assembly	R	
343501	4B73725A	Ring	R	
34370T	4B75372A	Shaft,Turtable	R	
34774L	4B73895A	Bracket,Hinge	R	
34774U	4B73896A	Bracket,Hinge	R	
34810Q	2B72369A	Bracket,Mount	R	
34890C	4B72492A	Window	R	
34930W	4B72944B	Holder,Wire	R	
34990A	4B73754A	Supporter	R	
35012T	1B71367C	Insulator Assembly	R	
35012R	1B72119B	Insulator Assembly	R	
35026C	1B72025B	Shelf	R	
35026G	5026W1A035B	Shelf	R	
35264A	2B72122B	Guide,Air	R	
35301A	1B71187C	Heater Assembly	R	
35889A	5889W2A005P	Turtable Assembly	R	
36549C	2B72066F	Motor,Unclassified	R	
36549S	2B71932D	Motor,AC	R	
368771	4B73008D	Multi Harness	R	
43500L	3B72853A	Holder,Locker	R	
43500U	3B71933A	Holder,Locker	R	

R : SERVICE PARTS

LOC. NO.	PART NO.	DESCRIPTION	SVC	ALTERNATE
43501L	3B72938B	Holder Assembly,Locker	R	
43501U	3B72277G	Holder Assembly,Locker	R	
44360A	4B74858A	Bar	R	
44510A	4B70698A	Lever	R	
466001	3B73361D	Switch,Micro	R	3B73361E
466003	3B73362A	Switch,Micro	R	
466004	3B73362F	Switch,Micro	R	3B73362E
50CZZH	6120W3H003F	Capacitor,High Voltage	R	2B71261H
50CZZH	6120W3H003F	Capacitor,High Voltage	R	3B71774G
50FZZA	3B74133K	Fuse,Time Delay	R	3B74133H
53300C	1B72060A	Tray,Ceramic	R	
53504A	1B71278A	Chamber	R	
53550L	3B73601A	Cover,Lamp	R	
53551S	1B71586C	Cover Assembly,Heater	R	
54370D	4B74088B	Shaft,Damper	R	
54810C	4B75031A	Bracket,Capacitor	R	
54810S	3B72717A	Bracket,Motor	R	
54810U	4B75026A	Bracket,Damper	R	
54932A	4B74087A	Bar	R	
54974S	4974W2S015A	Guide,Suction	R	
54974T	4810W4G063A	Bracket,Idle	R	
54975G	1B71513A	Chamber Assembly	R	
55262A	1B72015A	Duct	R	
55900A	2B72279B	Fan	R	
55900C	3B72561A	Fan	R	
55900N	3B72559A	Fan	R	
56170D	6010W2H070B	Transformer,high voltage	R	
56208A	2B72302A	Insulator	R	
56324A	2B71165E	Magnetron	R	
56411A	2B72325E	Power Cord Assembly	R	
56420A	6420W3S001C	Solenoid	R	
56501A	6501W2A006A	Sensor Assembly	R	
56549F	2B72294A	Motor,AC	R	
56820A	4930W3B005A	Fuse Holder	R	
56851C	6861W3A001B	Harness,Single	R	
56851D	6021W3B001C	Drawing,Assembly	R	
568771	6877W1A014A	Multi Harness	R	
568773	6877W3T080A	Harness,Multi	R	
56912B	3B71543J	Lamp,Incandescent	R	
56930G	6930W3A001B	Thermostat	R	
56930M	6930WRT003A	Thermostat	R	
63302A	0B70792A	Plate,Base	R	
63303A	0B70876A	Plate Assembly,Base	R	
647781	4B73900A	Foot	R	
WMT001	1MTC0402418	Screw,Machine	R	
WMT002	1MTC0402432	Screw,Machine	R	
WNH002	1NHA0400018	Nut,Common	R	
WNH003	1NHA0400032	Nut,Common	R	

R : SERVICE PARTS

LOC. NO.	PART NO.	DESCRIPTION	SVC	ALTERNATE
WPZ017	4B70898A	Pin,Customized	R	
WSZ002	1SBF0402418	Screw,Taptite	R	
WSZ085	4B70188C	Screw,Customzied	R	
WSZ137	4B73763A	Screw,Customzied	R	
WSZ153	4B75265A	Screw,Customzied	R	
WTP002	1TPL0302018	Screw,Tapping	R	
WTP007	1TPL0303118	Screw,Tapping	R	
WTP013	1TPL0402418	Screw,Tapping	R	
WTP015	1TPL0402618	Screw,Tapping	R	
WTP018	1TPL0402818	Tapping Screw	R	
WTT010	1TTG0402422	Screw,Tapping	R	
WTT011	1TTG0402632	Screw,Tapping	R	
WTT021	1TTL0402418	Screw,Tapping	R	
WTT022	1TTL0402422	Screw,Tapping	R	
WTT028	1TTL0402818	Screw,Tapping	R	
WWP008	1WPL0500032	Washer,Common	R	
WWS005	1WSD0400032	Washer,Common	R	

R : SERVICE PARTS

REPLACEMENT PARTS LIST

For Model: 721.68360790

Rev.1 Sep 04, 2006

LOC. NO.	PART NO.	DESCRIPTION	SVC	ALTERNATE
*01	3828W5A0925	Manual,Owners	R	
*07	3858W3T014X	Card,Technical	R	
*10	3890W2Y042G	Box	R	
13213A	1B71582C	Frame Assembly,Door	R	
13552A	1B71371A	Cover,Choke	R	
13581A	3581W1A147A	Door Assembly	R	
13720D	3720W1D025B	Panel,Door	R	
13806F	3B70060D	Decor,Front	R	
14026L	3B71930A	Locker	R	
14026U	3B71929A	Locker	R	
14510A	3B72692A	Lever	R	
14890A	4890W2D010T	Window	R	
14970A	4B73100A	Spring	R	
15244H	4B74139B	Gasket	R	
15244L	4B74141B	Gasket	R	
15244T	4B74140B	Gasket	R	
15244U	4B74142B	Gasket	R	
23506A	6638W2A134A	Membrane	R	
23572A	3572W1A043B	Panel,Control	R	
23790D	3790W3D009B	Window,Display	R	
24510L	3B73251A	Lever	R	
24781M	4781W1M160H	Controller Assembly,Keypad	R	
24970A	4B72388A	Spring	R	
250201	5020W3G044E	Button	R	
268711	5247W2YS76A	PCB Assembly,Sub	R	
33052M	4B73904A	Cover,Insulator	R	
33112U	0B71047G	Case,U Bending	R	
33741A	3B73691A	Supporter Assembly	R	
343501	4B73725A	Ring	R	
34370T	4B75372A	Shaft,Turntable	R	
34774L	4B73895A	Bracket,Hinge	R	
34774U	4B73896A	Bracket,Hinge	R	
34810Q	2B72369A	Bracket,Mount	R	
34890C	4B72492A	Window	R	
34930W	4B72944B	Holder,Wire	R	
34990A	4B73754A	Supporter	R	
35012R	1B72119B	Insulator Assembly	R	
35012T	1B71367C	Insulator Assembly	R	
35026C	1B72025B	Shelf	R	
35026G	5026W1A035B	Shelf	R	
35264A	2B72122B	Guide,Air	R	
35301A	1B71187C	Heater Assembly	R	
35889A	5889W2A005P	Turntable Assembly	R	
36549C	2B72066F	Motor,Unclassified	R	
36549S	2B71932D	Motor,AC	R	
368771	4B73008D	Single Harness	R	
43500L	3B72853A	Holder,Locker	R	
43500U	3B71933A	Holder,Locker	R	

R : SERVICE PARTS

LOC. NO.	PART NO.	DESCRIPTION	SVC	ALTERNATE
43501L	3B72938B	Holder Assembly,Locker	R	
43501U	3B72277G	Holder Assembly,Locker	R	
44360A	4B74858A	Bar	R	
44510A	4B70698A	Lever	R	
466001	3B73361D	Switch,Micro	R	3B73361E
466003	3B73362A	Switch,Micro	R	
466004	3B73362F	Switch,Micro	R	3B73362E
50CZZH	6120W3H003F	Capacitor,High Voltage	R	2B71261H
50CZZH	6120W3H003F	Capacitor,High Voltage	R	3B71774G
50FZZA	3B74133K	Fuse,Time Delay	R	3B74133H
53300C	1B72060A	Tray,Ceramic	R	
53504A	1B71278A	Chamber	R	
53550L	3B73601A	Cover,Lamp	R	
53551S	1B71586C	Cover Assembly,Heater	R	
54370D	4B74088B	Shaft,Damper	R	
54810C	4B75031A	Bracket,Capacitor	R	
54810S	3B72717A	Bracket,Motor	R	
54810U	4B75026A	Bracket,Damper	R	
54932A	4B74087A	Bar	R	
54974S	4974W2S015A	Guide,Suction	R	
54974T	4810W4G063A	Bracket,Idle	R	
54975G	1B71513A	Chamber Assembly	R	
55262A	1B72015A	Duct	R	
55900A	2B72279B	Fan	R	
55900C	3B72561A	Fan	R	
55900N	3B72559A	Fan	R	
56170D	6010W2H070B	Transformer,high voltage	R	
56208A	2B72302A	Insulator	R	
56324A	2B71165E	Magnetron	R	2B71165D
56411A	2B72325E	Power Cord Assembly	R	
56420A	6420W3S001C	Solenoid	R	
56501A	6501W2A006A	Sensor Assembly	R	
56549F	2B72294A	Motor,AC	R	
56820A	4930W3B005A	Fuse Holder	R	
56851C	6861W3A001B	Harness,Single	R	
56851D	6021W3B001C	Cable,Assembly	R	
568771	6877W1A014A	Single Harness	R	
568773	6877W3T080A	Harness,Single	R	
56912B	3B71543J	Lamp,Incandescent	R	
56930G	6930W3A001B	Thermostat	R	
56930M	6930WRT003A	Thermostat	R	
63302A	0B70792A	Plate,Base	R	
63303A	0B70876A	Plate Assembly,Base	R	
647781	4B73900A	Foot	R	
WMT001	1MTC0402418	Screw,Machine	R	
WMT002	1MTC0402432	Screw,Machine	R	
WNH002	1NHA0400018	Nut,Common	R	
WNH003	1NHA0400032	Nut,Common	R	

R : SERVICE PARTS

LOC. NO.	PART NO.	DESCRIPTION	SVC	ALTERNATE
WPZ017	4B70898A	Pin,Customized	R	
WSZ002	1SBF0402418	Screw,Taptite	R	
WSZ085	4B70188C	Screw,Customzied	R	
WSZ137	4B73763A	Screw,Customzied	R	
WSZ153	4B75265A	Screw,Customzied	R	
WTP002	1TPL0302018	Screw,Tapping	R	
WTP007	1TPL0303118	Screw,Tapping	R	
WTP013	1TPL0402418	Screw,Tapping	R	
WTP015	1TPL0402618	Screw,Tapping	R	
WTP018	1TPL0402818	Screw,Tapping	R	
WTT010	1TTG0402422	Screw,Tapping	R	
WTT011	1TTG0402632	Screw,Tapping	R	
WTT021	1TTL0402418	Screw,Tapping	R	
WTT022	1TTL0402422	Screw,Tapping	R	
WTT028	1TTL0402818	Screw,Tapping	R	
WWP008	1WPL0500032	Washer,Common	R	
WWS005	1WSD0400032	Washer,Common	R	

R : SERVICE PARTS