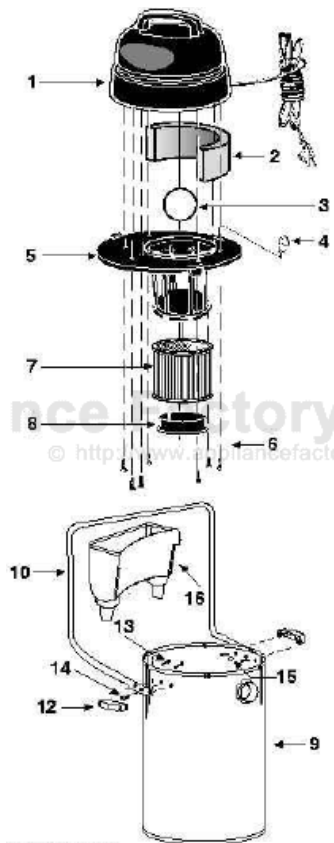


This Owner's Manual is provided and hosted by [Appliance Factory Parts](http://www.ApplianceFactoryParts.com).



Shop Vac QPL650 Owner's Manual

[Shop genuine replacement parts for Shop Vac QPL650](#)

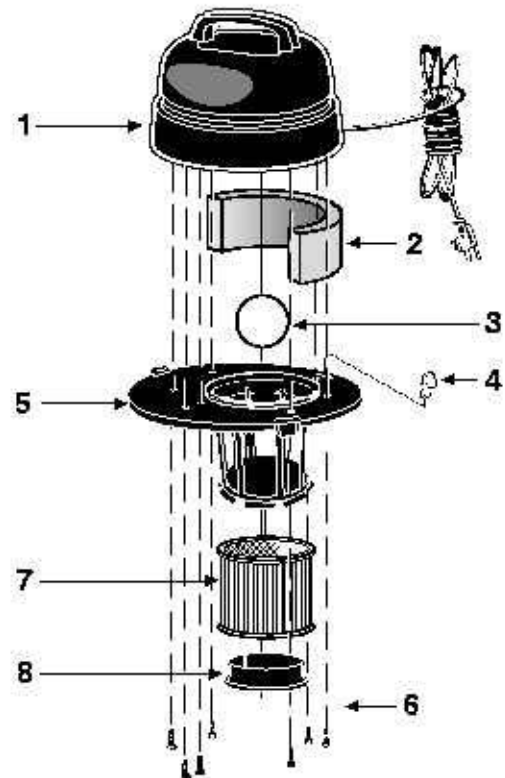


[Find Your Shop Vac Vacuum Cleaner Parts - Select From 487 Models](#)

----- Manual continues below -----

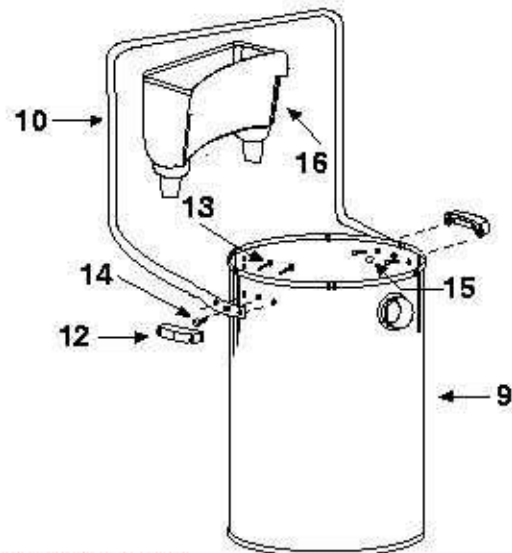
shop-vac**Catalog 9251458**
(12 Gal. S/S) DEPOT

Model - QPL650



ITEM	DESCRIPTION	PART NO.
1	Power Unit Assembly	8118297
2	Foam Insert	1290508
3	Ball Float	0081100
4	Lid Latch	8550101
5	Lid Cage & Latch Assembly	8988724
6	Screw Hex Hd #10-3/4 AB	1503999
7	Cartridge Filter	9030462
8	Filter Retainer	3008000
9	Tank Assembly	5120597
10	Carriage Handle	2088220
11	Handle and Hardware Pkg. *	9355596
12	Side Tank Handle	9355100
13	#10 x 3/4" Screw Hex Head	1503999
14	Bolt 1/4-20 x 1/2"	6401299
15	1/4 - 20 Hex Nut	1300199
16	Accessory Basket	9194900

*Includes 12-15

**STANDARD ACCESSORIES**

- 8' x 2-1/2" hose
- 2 - 2-1/2" extension wands
- 14" floor nozzle w/brush
- 14" squeegee insert
- 2-1/2" crevice tool
- 8" utility nozzle
- hose holder
- elbow grip

THREE-YEAR HOME USE WARRANTY

Your Shop-Vac® vacuum cleaner is warranted in normal household use, in accordance with the User Manual, against original defects in material and workmanship for a period of three years from date of purchase. Should this product be used for commercial or rental use, a 90 day limited warranty will apply. Shop-Vac Corporation warrants placing this vacuum cleaner in correct operating condition, by repair or parts replacement, during the warranty period, without charge. This warranty does not cover accessories. Use of non-recommended filters and/or accessories may void the manufacturer's warranty.

SC87526-38