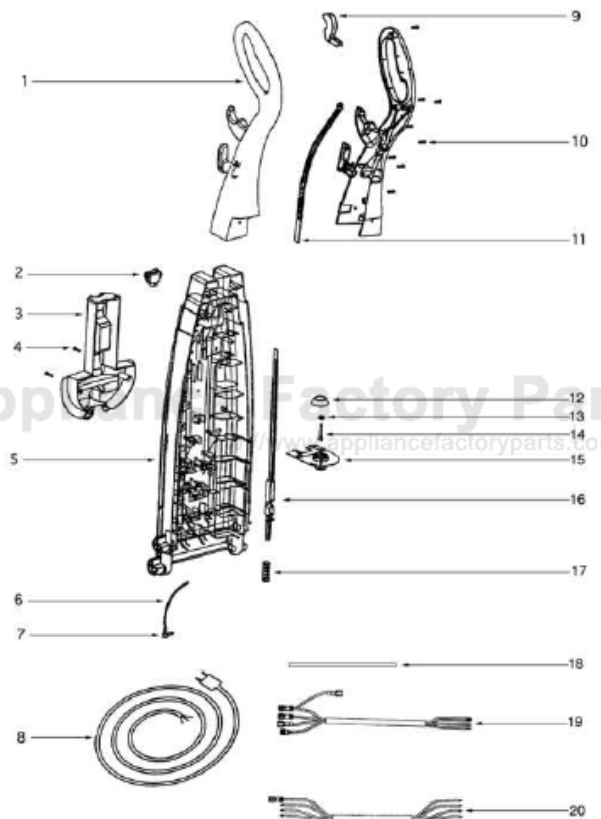


This Owner's Manual is provided and hosted by Appliance Factory Parts.



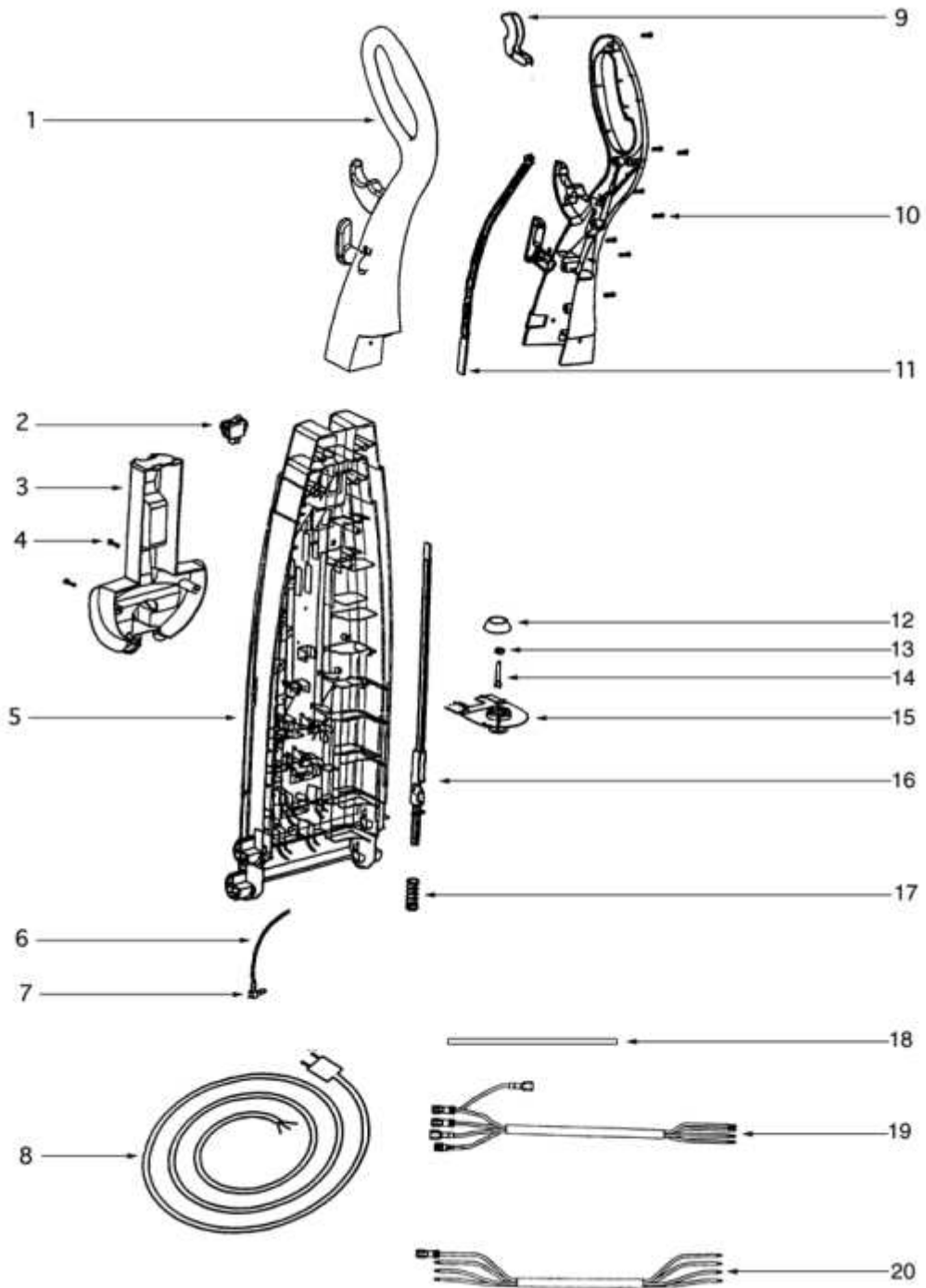
GE 106727 Owner's Manual

[Shop genuine replacement parts for GE 106727](#)

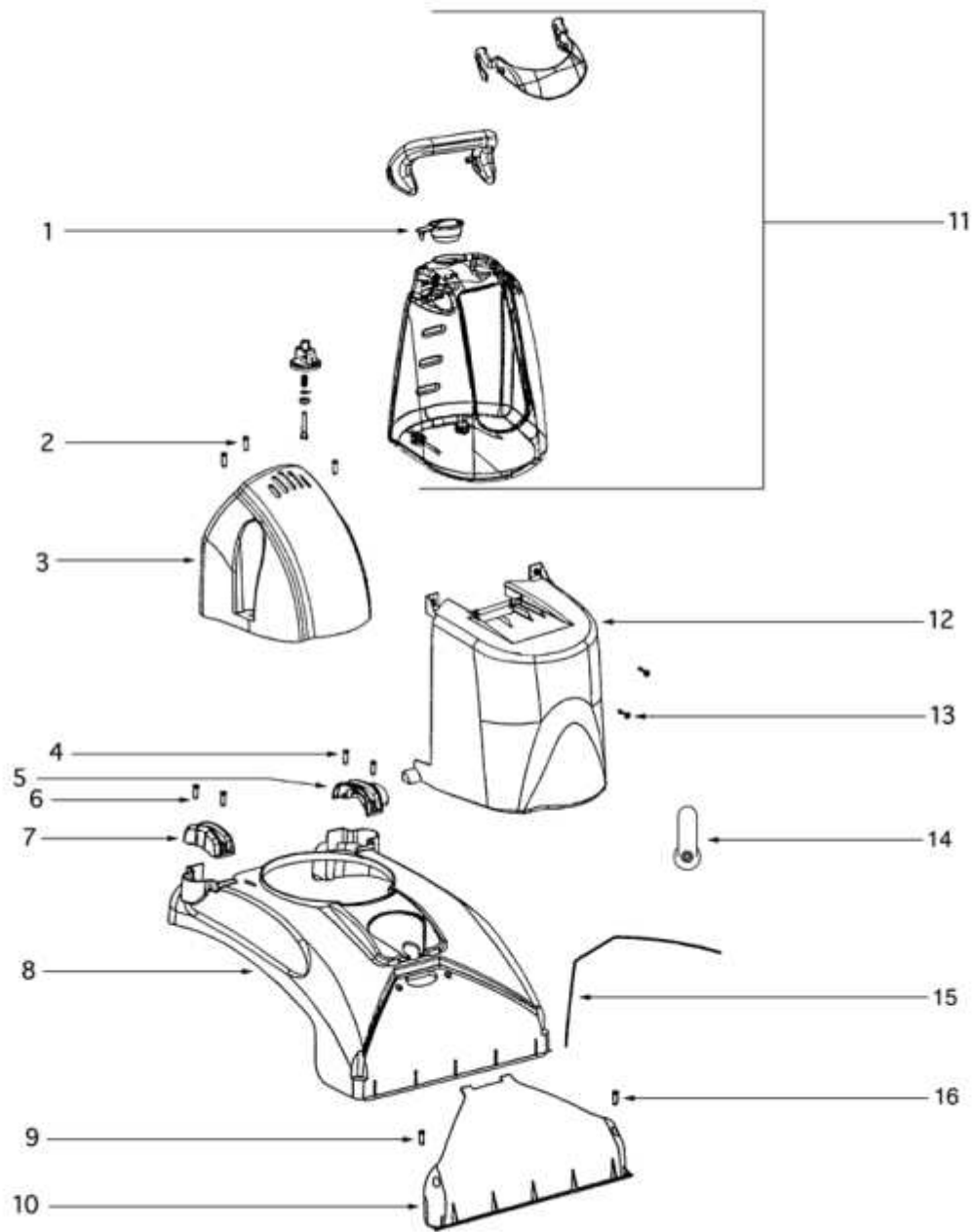


[Find Your GE Vacuum Cleaner Parts - Select From 21 Models](#)

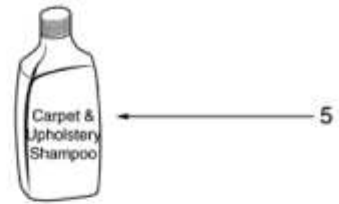
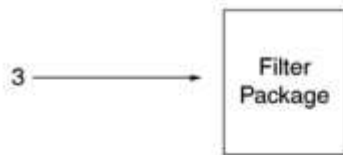
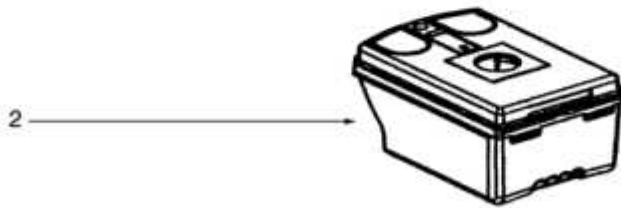
----- Manual continues below -----



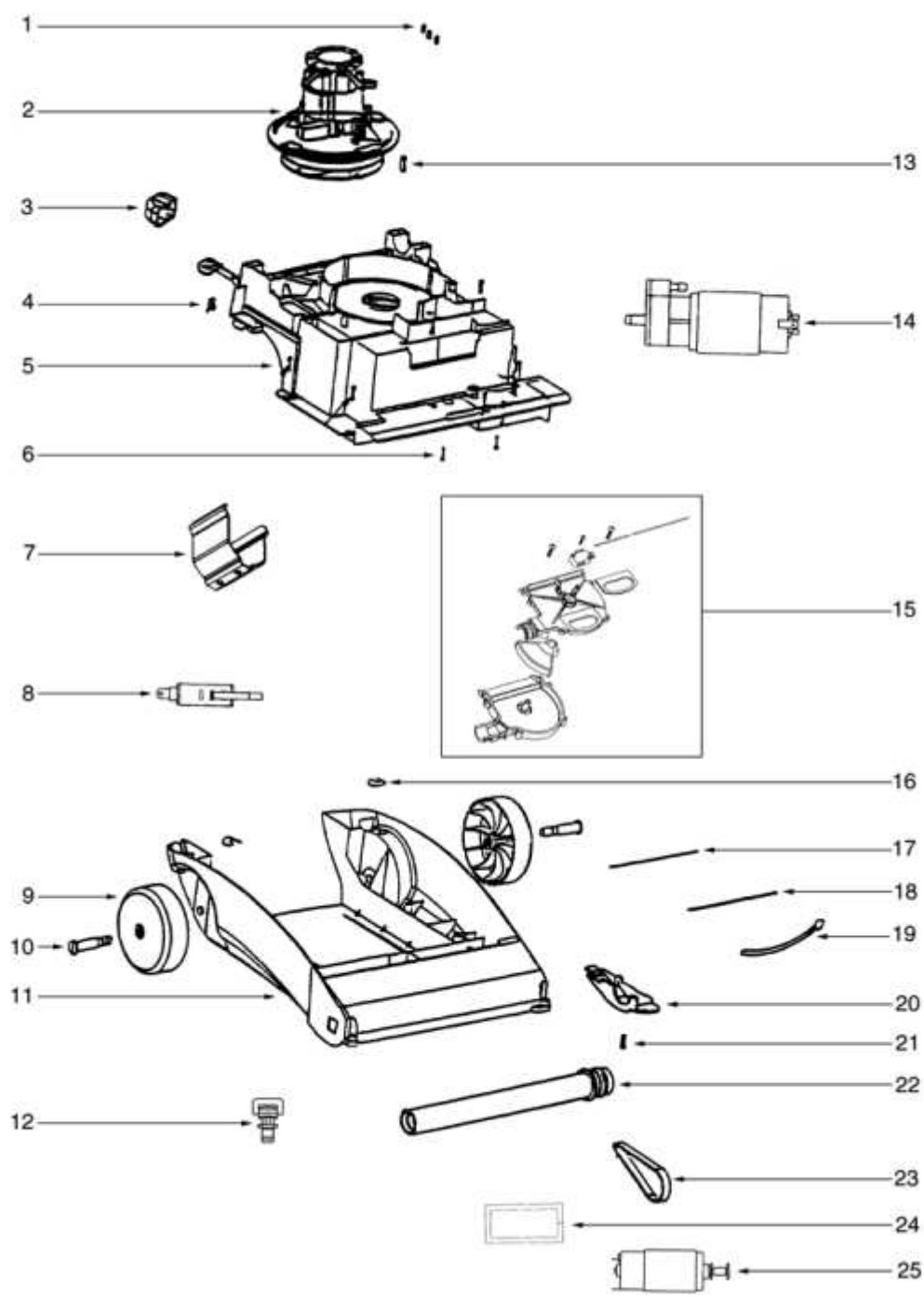
| Ref # | Part | Description | Comments | Qty |
|-------|-------------|---------------------------|----------|-----|
| 1 | 15322D | UPPER HANDLE ASSEMBLY | | |
| 2 | 71167 | SWITCH - ROCKER | | |
| 3 | 15317-119N | CADDY - HOSE | | |
| 4 | 53238-27 | SCREW PACKAGE | | |
| 5 | 15668B | REAR HOUSING ASSEMBLY | | |
| 6 | 59472-6 | TUBING | | |
| 7 | 39070A | DISPENSE VALVE ASSY (3 PO | | |
| 8 | 38752-1 | CORD - SUPPLY | | |
| 9 | 27776C-288N | TRIGGER - DISPENSER | | |
| 10 | 53197-3 | SCREW PACKAGE | | |
| 11 | 27769-119N | ARM - UPPER | | |
| 12 | 38845-119N | SEAL - BOOT | | |
| 13 | 60207 | FILTER PACKAGE | | |
| 14 | 38945B-305N | ACTUATOR - PLUNGER | | |
| 15 | 38941G | RESERVOIR ASSY | | |
| 16 | 27846B-119N | ARM - LOWER | | |
| 17 | 60219 | SPRING PKG | | |
| 18 | 70316-1 | TUBING | | |
| 19 | 28413-1 | UPPER CORD & TERMINAL ASS | | |
| 20 | 28414-1 | LOWER CORD & TERMINAL ASS | | |



| Ref # | Part | Description | Comments | Qty |
|-------|-------------|---------------------------|----------|-----|
| 1 | 38735-119N | CAP - TANK | | |
| 3 | 15316A-119N | COVER - MOTOR | | |
| 5 | 38737-119N | COVER - AXLE (LH) | | |
| 7 | 38756-119N | COVER - AXLE (RH) | | |
| 8 | 28429-2 | HOOD & GRAPHICS ASSEMBLY | | |
| 9 | 60224 | SCREW PKG | | |
| 10 | 61947 | SUCTION COVER - PKGD | | |
| 11 | 60622-2 | DISPENSING TANK ASSY - PK | | |
| 12 | 28430A-4 | SHROUD & GRAPHICS ASSEMBL | | |
| 13 | 53238-27 | SCREW PACKAGE | | |
| 14 | 38741-288N | KNOB - ROTOR | | |
| 15 | 59025-1 | SEAL - GASKET | | |
| 16 | 60227 | SCREW PKG (10) | | |



| Ref # | Part | Description | Comments | Qty |
|-------|--------|---------------------------|----------|-----|
| 1 | 60245C | UPHOLSTERY HOSE ASSY - CT | | |
| 2 | 60205 | RECOVERY TANK ASSY - PKGD | | |
| 3 | 60207 | FILTER PACKAGE | | |
| 4 | 59052 | HARDWARE PACKAGE | | |
| 5 | 60170 | EXTRACTOR SHAMPOO PACKAGE | | |



| Ref # | Part | Description | Comments | Qty |
|-------|-------------|---------------------------|----------|-----|
| 1 | 60192-1 | WIRE SPLICE 5 | | |
| 2 | 60218B | MOTOR & GASKET - PKG | | |
| 3 | 38853-288N | COVER - HANDLE RELEASE | | |
| 4 | 60217 | SPRING PKG 5 | | |
| 5 | 60824-1 | BASE/SUPPORT KIT | | |
| 6 | 53238-8 | SCREW PACKAGE | | |
| 7 | 39297 | BRACKET - MOTOR | | |
| 8 | 28019A-1 | SWITCH - MICRO | | |
| 9 | 27843A-119N | WHEEL - REAR | | |
| 10 | 38392 | AXLE | | |
| 11 | 60624A | BASE ASSEMBLY - PACKAGED | | |
| 12 | 39290 | NOZZLE | | |
| 13 | 53238-27 | SCREW PACKAGE | | |
| 14 | 60221C | PUMP & MOTOR ASSY - PKGD | | |
| 15 | 27785C-1 | VALVE ASSEMBLY | | |
| 16 | 54709 | PACKAGE - PRONG LOCK RETA | | |
| 17 | 58971-1 | WIRE & TERMINAL ASSEMBLY | | |
| 18 | 58971-2 | WIRE & TERMINAL ASSEMBLY | | |
| 19 | 58738-1 | WIRE & TERMINAL ASSEMBLY | | |
| 20 | 38738B-119N | COVER - BELT | | |
| 21 | 54669-3 | SCREW PACKAGE | | |
| 22 | 60203A | DISTURBULATOR ASSY - CTND | | |
| 23 | 60129 | BELT PACKAGE | | |
| 24 | 59148 | GASKET - BRUSH ROLL MOTOR | | |
| 25 | 60623-2 | MOTOR & PULLEY ASSY - CRT | | |