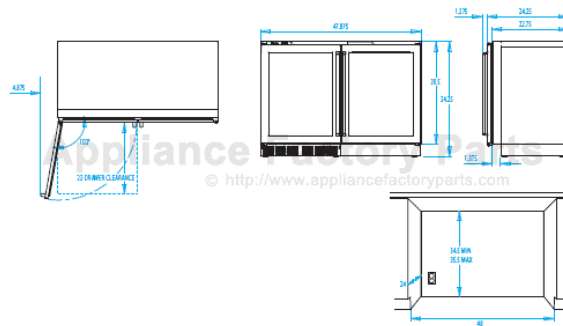


This Owner's Manual is provided and hosted by [Appliance Factory Parts](http://www.appliancefactoryparts.com).



# KALAMAZOO K-HP48RO-0-5-3 Owner's Manual

[Shop genuine replacement parts for KALAMAZOO  
K-HP48RO-0-5-3](#)



[Find Your KALAMAZOO Refrigerator Parts - Select From 22 Models](#)

----- Manual continues below -----

# Outdoor Living Redefined

Kalamazoo Outdoor Gourmet, Bringing Gourmet Lifestyles Outdoors Since 1906™





# A Passion for Outdoor Cooking

Imagine yourself sitting around the table with friends and family, enjoying a perfectly cooked dinner prepared over a real wood fire. You're not at an expensive steak house. You're in your own yard, relaxing in your custom outdoor kitchen.

**The Leader in Outdoor Kitchens** Our exclusive focus on outdoor cooking and entertaining allows us to deliver beautiful and functional kitchens that consistently set the standard for innovation, quality and performance. From the best grills on the planet to professional outdoor refrigeration, our product line is carefully designed to help you build the outdoor kitchen of your dreams. What's more, thoughtful features like the weather-tight design of our cabinets, the hassle-free cleaning of our grills and our customizable cooking surfaces make your kitchen a joy to use.

Our superior design and craftsmanship is founded on a tradition of sheet metal expertise that goes back more than 100 years. Every Kalamazoo product is custom-engineered from the ground up to perform outdoors, and hand-crafted from the highest quality materials and components to last a lifetime in any environment.

**A Heritage of Innovation** Kalamazoo Outdoor Gourmet has built its reputation on innovation. The still-exclusive hybrid grilling capability we invented was the beginning. Our revolutionary grill design combines the flavor and cooking experiences of a real wood fire with the always-at-the-ready convenience of a gas grill.

Other recognized innovations include our countertop pizza oven that delivers all the performance of a traditional brick oven, our unique weather-tight kitchen cabinets, and our custom laser-cut grill surfaces. We also partner with leading players such as Perlick to extend our product line in new areas. Our Kalamazoo outdoor refrigerators are the only units rated for food storage outdoors.

Innovation in design and performance is core to our business at Kalamazoo. You can count on us to provide the best outdoor kitchen products available in the market for any outdoor cooking need.

**Recognized by the Best** Top chefs, industry experts and respected media like *The New York Times*, *Forbes Life* and *Food & Wine* have all singled out Kalamazoo Outdoor Gourmet for our exceptional line of products. Whether you dream of an outdoor kitchen with all the amenities or simply want the ultimate grill for your patio, we offer unparalleled options to suit your lifestyle.



**Start designing your outdoor dream kitchen today. Call us at 1.800.868.1699 to talk to an expert.**



"The biggest, meanest, off-the-charts grill in the land."

— Steven Raichlen, *Barbecue Authority*



# The Ultimate Custom Outdoor Kitchens

Design the custom outdoor kitchen of your dreams — beautiful, functional and a delight to use, with features and capabilities that will exceed your expectations.

**A Fully Capable Kitchen Outdoors** We know that outdoor cooks desire all the functionality of an indoor kitchen plus the best of the outdoors. A Kalamazoo kitchen starts with the most impressive grills available. Then choose from a full range of professional-grade refrigeration that can overcome the toughest summer temperatures. Select from an assortment of weather-tight cabinets for the right storage, and add a pizza oven, wok burner or any other equipment you desire to compliment your lifestyle.

**Flexible Style** Contemporary or classic, the choice is yours. All Kalamazoo equipment and cabinets are fully finished in stainless steel. Add the countertop of your choice for a sleek and modern style in gleaming stainless steel. Or integrate masonry, stucco, wood and other classic materials with our modular system for a versatile range of aesthetics. The design possibilities are endless. Linear, L-shaped, U-shaped and island configurations are all possible using Kalamazoo equipment and cabinets.

**Complete Selection of Weather-Tight Cabinets** Each Kalamazoo Outdoor Gourmet kitchen cabinet is hand-built from heavy-gauge stainless steel and features seamless rain gutters around every door and drawer opening. Kalamazoo cabinets are the only cabinets that will keep your tools, linens, serving pieces and spices clean and dry no matter what Mother Nature throws at them. Plus, you can conveniently hose your kitchen down for spring and fall cleaning.

Cabinets are available in a wide range of sizes. Drawer units and storage cabinets are complemented by a full line of sink bases. Corner units are available in a variety of designs and corner angles for easier planning in a variety of spaces.

**Helpful Extras** Our line is truly optimized to serve every need of the outdoor cook. Glide-out cabinet bottoms provide easy access to heavy items like charcoal and wood. Under-counter trays keep cutting boards at the ready. Slot systems inside the doors accommodate utensil hooks, waste bins and sauce racks. Pull-out spice racks keep things accessible. These details and many more help a Kalamazoo kitchen deliver the best outdoor cooking experience.



**Our weather-tight design features seamless rain gutters around every door and drawer opening. Kalamazoo Outdoor Gourmet cabinets are the only ones to feature all stainless steel hardware, including the slides and hinges.**



“...the kind of performance I normally find only in restaurant kitchens.”

— Chef Michael Chiarello



# The Best Grills in the World

Kalamazoo grills inspire a loyal following. With awesome firepower, custom cooking surfaces, hassle-free cleaning and the ability to cook using any combination of charcoal, wood and gas, the advantages are unequaled.

**Hybrid Cooking with Charcoal, Wood and Gas** Changing fuels is as easy as opening the hybrid grilling drawer. Our powerful gas burners are located below the hybrid drawer system. Use the burners alone to cook with gas, or place wood and charcoal in the drawer. The gas burners can be used to quickly and conveniently start a wood or charcoal fire, or to maintain the heat for longer cooking sessions.

**Complete Versatility** Grilling, searing, roasting, smoking, wok cooking, rotisserie, barbecue and even baking. The power and versatility of Kalamazoo grills enable home chefs to passionately pursue every cooking style they desire, all on a grill that makes it effortless.

**Exclusive Dragon Burners™** Each Kalamazoo Outdoor Gourmet Dragon Burner is cast in stainless steel. Weighing in at more than 12 pounds, they are warranted for life and designed for performance. The exclusive bowtie-shape delivers even and controllable heat to every square inch of the cooking surface. Kalamazoo grills are the most powerful and capable grills on the market, and these burners are at the heart of every one.

**Custom Cooking Surfaces** Select your ideal combination of cooking surface patterns optimized for meat, fish or vegetables. There is even a solid surface available for teppanyaki-style cooking. For even further personalization, initials, logos and other artwork can be cut into the surface.

**Hassle-Free Cleaning** Any ash, grease and debris funnel down the deep-hopper design into a clean-out pan that is large enough to hold everything and deep enough to be easy to handle. There are no shallow grease trays on a Kalamazoo to slosh all over your patio. Another benefit of the deep-hopper design is that 99% of flare-ups are eliminated.

**Integrated Cabinetry** All Kalamazoo built-in and freestanding grills come standard with integrated cabinetry below.

**Redundant Electronic Ignition** There are two independent and fully-redundant systems wired to each burner for reliable starting.

*Check the back cover to see the full range of built-in and free standing Kalamazoo grills. Complete specifications are available at [www.KalamazooGourmet.com](http://www.KalamazooGourmet.com).*



**“The feature that really puts the Kalamazoo over the top is that you can easily switch between gas and charcoal or wood. It is as simple as opening the drawer!”**

*— Chef Rick Bayless*



# Superior Outdoor Refrigeration

Kalamazoo Outdoor Gourmet refrigeration brings dessert to the desert. Our outdoor freezers can keep ice cream frozen indefinitely, even in a Tucson summer. In fact, the 25-unit line of outdoor refrigeration is the only collection available that has been proven to maintain the set internal temperature when it is as hot as 110°F outside.

**Unrivaled Performance** Variable-speed compressors, advanced insulation and forced air cooling add up to the most powerful and energy-efficient outdoor refrigeration available.

This superior performance means our refrigeration is the only line suitable for storing food outdoors. Most units called “outdoor refrigerators” are really just beverage chillers, incapable of staying below critical temperatures when it gets hot outside. Would you store your raw chicken in an appliance like that?



**Energy Efficient** Not only is Kalamazoo outdoor refrigeration powerful, but we win the prize for energy efficiency as well — the coveted Energy Star® rating. A Kalamazoo outdoor wine chiller uses as little energy annually as an 11-watt light bulb.

**Exclusive Units and Features** Kalamazoo outperforms every other outdoor refrigeration unit, and there a number of outdoor appliances not available from any other manufacturer.

We offer the only outdoor-rated freezers and freezer drawers, the only keg tappers that can serve three types of beer, the only 15-inch refrigerated drawers and the only 15-inch keg tapper.

Our features are exclusive as well: full-extension, vinyl-coated shelves that extend beyond the cabinet; variable-speed compressors that keep the temperature even and use less energy; and two inches of rigid insulation surrounding every cabinet, plus glass doors replete with argon-charged, “warm edge intercept” technology, for maximum insulating efficiency.

**Design Flexibility** Available in 15-, 24- and 48-inch widths for under-counter installation or freestanding use, Kalamazoo offers more choices for the outdoor kitchen than any other manufacturer. With refrigerators, refrigerated drawers, freezers, freezer drawers, wine chillers, beverage centers, beer dispensers and clear ice makers, every outdoor kitchen refrigeration need can be met.

## Two Leaders, Working in Partnership

We are proud to say our refrigeration is manufactured by Perlick, another Midwestern company with a long history of innovation and leadership. Perlick has been the top name in commercial refrigeration for more than 90 years.



“...the only under-counter refrigerator in the industry with the ability to store food as well as beverages.”

— Danny Lipford, CBS News



# Artisan Pizzas in Your Own Backyard

Ovens lined with stone and topped by an arched roof are found across Italy for baking pizzas and bread. Why? The stone creates a perfect crust, while the low, arched top reflects radiant heat back to the pizza for even baking from both the top and bottom.

Kalamazoo Outdoor Gourmet has updated the classic pizza oven design and cooking principles in stainless steel for worry-free outdoor use.

**Professional Pizza Stone** The cooking surface is a professional baking stone with heat-transfer characteristics that exceed the performance of any natural stone, and it will never become brittle due to repeated heat cycles.

**Precision Control** The high-performance gas burner empowers you to cook with confidence. The Outdoor Artisan Pizza Oven by Kalamazoo offers a broad temperature range from 250°F to 800°F for baking everything from calzones and deep-dish pizzas to ultra-thin Neapolitan-style pizzas with perfect, crispy crusts.

**Ready When You Are** The oven is designed to come up to temperature quickly. A pizza party can be a spontaneous event that doesn't require you to plan hours ahead like more traditional pizza ovens.

**Wood-Fired Flavor** Just because you have the convenience of gas doesn't mean giving up the flavor of a wood fire. The integrated wood tray delivers even more wood flavor than an open wood fire.

**No Installation Required** The countertop design makes the Outdoor Artisan Pizza Oven the perfect addition to new or existing outdoor kitchens, and it is available in both liquid propane and natural gas configurations. Simply connect the oven to your gas supply, and you are ready to start a tradition of baking artisan pizzas in your own backyard.



**Thick or thin crust, pan pizza or stuffed, even calzones or artisan bread...the Outdoor Artisan Pizza Oven helps you cook like a seasoned professional.**



“We have arrived at a time when a person can bake the pizza of his dreams, the pizza he deserves, right in his own backyard.”

— Richard Nally, Forbes Life



# Entertaining With Style

Innovation at Kalamazoo isn't just about performance and features, it is also about design. We offer an array of outdoor cooking and entertaining products that make a beautiful design statement in addition to delivering on the Kalamazoo performance promise.

**Edo Grill** Taking its cues from Japanese design, architecture and cuisine, the Kalamazoo Edo Grill (shown top-right) is a contemporary design with a sleek, simple form. When not in use, it could be mistaken for a beautiful outdoor table or piece of sculpture. Form meets function when the two lustrous, hand-textured stainless steel panels slide open to reveal the controls and the 432-square-inch grilling surface, also creating ample counter space to each side.

**Sculpture Grill** Each Kalamazoo Sculpture Grill (shown left) is hand-built and offers a unique combination of true grilling performance and graceful curves of hand-welded and hand-rubbed stainless steel. These grills are works of art that enhance any outdoor décor.

**180° Martini Bar** The 180° Martini Bar (shown middle-right) raises outdoor entertaining to new heights, transforming your patio into a gathering place like no other. Every 180° Martini Bar is hand-crafted by talented, fourth-generation stainless steel fabricators as a one-of-a-kind work of functional art.

A fully-functional wet bar designed in conjunction with professional bartenders, the 180° Martini Bar features a water purifier, bar sink and faucet, bottle and stemware storage, ice reservoir, power outlets and ambient LED lighting under the counter (both inside and out).

**Pasadena Outdoor Fireplace** Nothing draws people together like an outdoor fireplace. The beautiful design of the new Pasadena Outdoor Fireplace (shown bottom-right) is inspired by the craftsman style of architecture epitomized by Pasadena architects Greene & Greene.

There are a host of thoughtful design features. The ash drawer is large enough to accommodate the ashes from at least three fires, and the low, pitched roof keeps out the rain, so you can clean up at your leisure. The roof is also dimensioned to enable conversation between guests seated on all sides.

Choose between the ginkgo motif shown or a design of white oak leaves.



“Rarely would I call a grill pretty, but just look at it!”

— Allison Jaworski, Pure Contemporary



# Building the Best Kitchens Together

Kalamazoo Outdoor Gourmet kitchen consultants assist homeowners and their chosen design professionals with each project — from equipment selection to kitchen layout to the engineered drawings that help installations run smoothly.

**Work with the Experts** Kalamazoo pioneered the outdoor kitchen. Our experts teach for-credit classes for a variety of professional organizations, including the National Kitchen & Bath Association and the Association of Professional Landscape Designers. Why not have these experts available to support your project? We work with homeowners and their chosen design professionals and contractors to make sure each project is a success.

**Defining Your Needs** The perfect outdoor kitchen design starts with understanding your complete outdoor cooking and entertaining needs. Are you looking for a kitchen to use and enjoy for everyday meals, or is it more for weekends and special occasions? How many people do you want to cook for? Do you want to do your prep work outside or just the grilling?

Do you have space constraints or challenging obstructions to work around? Have you planned for adequate lighting and shelter? Do you wish to use the kitchen rain or shine? Are you dedicated to grilling in the winter months?

Kalamazoo Outdoor Gourmet kitchen consultants have seen it all and are here to help you with everything from a small outdoor kitchen island to the most challenging large-scale installation. Our consultants help ensure your complete satisfaction by listening to your needs and applying years of outdoor kitchen experience.

**Easy Installation** All of the equipment for your custom outdoor kitchen arrives fully assembled. We include custom drawings of your kitchen to help speed installation and reduce costs. Your installer can simply align all of the units according to the plan, level with the adjustable legs and then bolt each unit to its neighbor. All the necessary hardware is included. With the provided counter supports and optional overhang brackets, your kitchen will be ready to receive the countertop and start cooking.

**Here to Help You** We're just a phone call away to answer any questions during installation and the lifetime of outdoor cooking and entertaining enjoyment to follow. Just call us at 1.800.868.1699.



**Recipes, tips and expert advice make using the best outdoor cooking and entertaining equipment even more enjoyable.**

**Subscribe to our monthly newsletter at [www.KalamazooGourmet.com](http://www.KalamazooGourmet.com).**

“Your help and attention to detail made our project a complete success. Our kitchen is a dream come true.”

— Martin T., Princeton, New Jersey

## The World's Best Built-In Grills

The Kalamazoo Advanced Cooking System delivers superior cooking performance through power, control and improved heat dynamics. Thanks to the deep-hopper engineering, our grills also offer real hassle-free cleaning.

Kalamazoo built-in grills can be used with our modular cabinet and refrigeration system or installed on their own.



Kalamazoo 900GB



Kalamazoo 900HB  
**HYBRID**



Kalamazoo 450GB



Kalamazoo 450HB  
**HYBRID**

## Superior Outdoor Refrigeration

Kalamazoo Outdoor Gourmet refrigeration is manufactured by Perlick, the restaurant and bar refrigeration leader for more than 90 years.

- Variable-speed compressors deliver more cooling power with more consistent temperature and use half the energy of standard compressors.
- Features stainless steel interiors and full-extension shelving on ball bearing slides.
- Glass doors block UV light to protect food and delicate wine varietals.
- More than 20 different models of refrigerators, freezers, wine chillers, keg tappers, beverage centers and ice makers can be used as under-counter or freestanding appliances.

Visit our website to see the full range.



Wine Chillers & Beverage Centers



Refrigerators & Freezers



Refrigerated & Freezer Drawers



Keg Tappers & Keg Tappers with Refrigerators



Clear Ice Maker

## Weather-Tight Outdoor Kitchen Cabinets, Plus Cooktops, Pizza Ovens and More

Our complete, modular system of cabinets and equipment makes your outdoor dream kitchen easier to design and install. Our exclusive weather-tight cabinet design and full-extension drawer and shelf glides make your kitchen easier to use. The pizza oven and variety of cooktops broaden your capabilities.

Visit our website for a complete system catalog.



Drawers, cabinets, sink bases and recycling



Wok-ready cooktops, lobster boil pits and more



Built-in cooktop



Outdoor Artisan Pizza Oven for convenient countertop use

## The World's Best Freestanding Grills

Kalamazoo Outdoor Gourmet's unique grill designs are hand-built of heavy-gauge stainless steel and the highest-quality components for a lifetime of outdoor gourmet entertaining. Each grill features more than 115 primary burner BTUs per square inch of grilling area and up to 176,000 BTUs of total cooking power.

High-performance features and options include:

- Hybrid grilling with charcoal, wood and gas
- Side-mounted traditional smoker boxes for real smoking capabilities
- Personalized, laser-cut cooking surfaces
- Cast stainless steel Dragon Burners™ warranted for life
- Deep-hopper design for superior heat characteristics and hassle-free cleaning
- Infrared searing and rotisserie burners and 32,000 BTU wok-ready side burners



Kalamazoo 900GT



Kalamazoo 900HT  
**HYBRID**



Kalamazoo 900GS



Kalamazoo 900HS  
**HYBRID**



Kalamazoo 450GT



Kalamazoo 450HT  
**HYBRID**



Kalamazoo 450GS



Kalamazoo 450HS  
**HYBRID**



Sculpture Grill



Edo Grill



Visit our website for the full range of Kalamazoo products and complete specifications.

www.KalamazooGourmet.com  
1.800.868.1699