



## E Series Built-In Single Ovens

Wolf E series built-in ovens are offered in two different door styles—framed and unframed. The E series built-in design allows the front of the oven to be installed flush with surrounding cabinetry for a more integrated look or used in the standard application, where the oven trim will overlap the cabinet face. With the dual convection fans, E series ovens offer ten different cooking modes.



Model SO30-2U/S-TH shown with model WWD30 warming drawer.

### FEATURES

- Framed and unframed door styles in stainless steel finish.
- Dual convection logic control system.
- Ten cooking modes—bake, roast, broil, convection bake, convection roast, convection broil, convection, bake stone (accessory required), dehydrate (accessory required) and proof.
- Touch control panel with LCD display.
- Cobalt blue porcelain oven interior.
- Six-level rack guides with three adjustable oven racks; one full-extension easy glide, one full-extension door glide and one standard.
- Large viewing double-pane window.
- Dual interior halogen lighting.
- Hidden bake element and recessed broil.
- Temperature probe and receptacle.
- Self-clean, delayed start and Sabbath features.
- Balanced door hinges assure smooth opening and closing of the door.

### MODEL OPTIONS

Door Style

SO30-2F/S-TH

Framed

SO30-2U/S-TH

Unframed

### ACCESSORIES

- Bake stone accessory, includes stone, rack and peel.
- Two-piece broiler pan and temperature probe.
- Set of three standard oven racks.
- One full-extension easy glide rack.
- Dehydration racks with door stop.
- 30" baking sheet kit.

Accessories are available through your authorized Wolf dealer. For local dealer information, visit the find a showroom section of our website, [wolfappliance.com](http://wolfappliance.com).



Model SO30-2F/S-TH  
Framed Door Style



Model SO30-2U/S-TH  
Unframed Door Style



This appliance is certified by Star-K to meet strict religious regulations in conjunction with specific instructions found on [www.star-k.org](http://www.star-k.org).

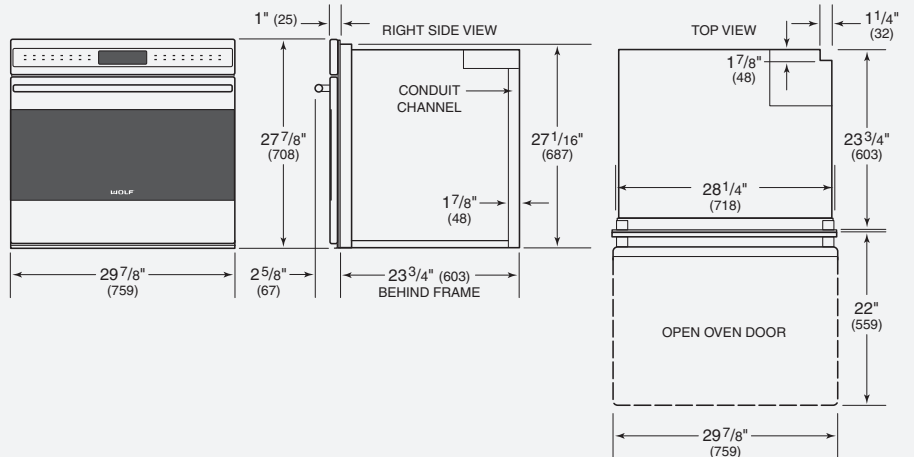


Touch control panel.



## E Series Built-In Single Ovens

### OVERALL DIMENSIONS



Unit dimensions may vary by  $\pm 1/8$ ".

### SPECIFICATIONS

|                          |   |
|--------------------------|---|
| Overall Width            | 29 <sup>7</sup> / <sub>8</sub> "  |
| Overall Height           | 27 <sup>7</sup> / <sub>8</sub> "  |
| Overall Depth            | 23 <sup>3</sup> / <sub>4</sub> "  |
| Oven Door Clearance      | 22"   |
| Oven Interior Capacity   | 4.5 cu ft   |
| Oven Interior Dimensions | 25" W x 16 <sup>1</sup> / <sub>2</sub> " H x 16 <sup>3</sup> / <sub>8</sub> " D |
| Minimum Cabinet Depth    | Standard 24"<br>Flush Inset 25"   |
| Minimum Base Support     | 250 lbs   |
| Opening Width            | 28 <sup>1</sup> / <sub>2</sub> "  |
| Min Inset Width          | 30 <sup>3</sup> / <sub>8</sub> "  |
| Opening Height           | 27 <sup>3</sup> / <sub>16</sub> "   |
| Min Inset Height         | 28 <sup>1</sup> / <sub>2</sub> "  |
| Electrical Requirements  | 240/208 V AC<br>60 Hz, 30 amp circuit   |
| Electrical Rating        | 5.1 kW at 240 V<br>3.8 kW at 208 V  |
| Shipping Weight          | 273 lbs   |

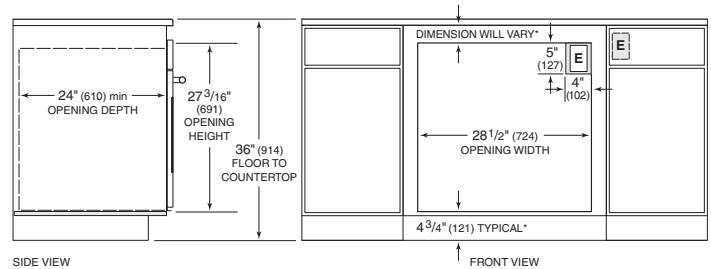
### INSTALLATION NOTES

Wolf E series built-in ovens may be used in a standard installation, where the face trim overlaps stiles and rails, or in a flush inset installation with the front of the oven flush with surrounding cabinetry.

Complete installation specifications can be found on our website, [wolfappliance.com](http://wolfappliance.com).

### INSTALLATION SPECIFICATIONS

#### Standard Installation

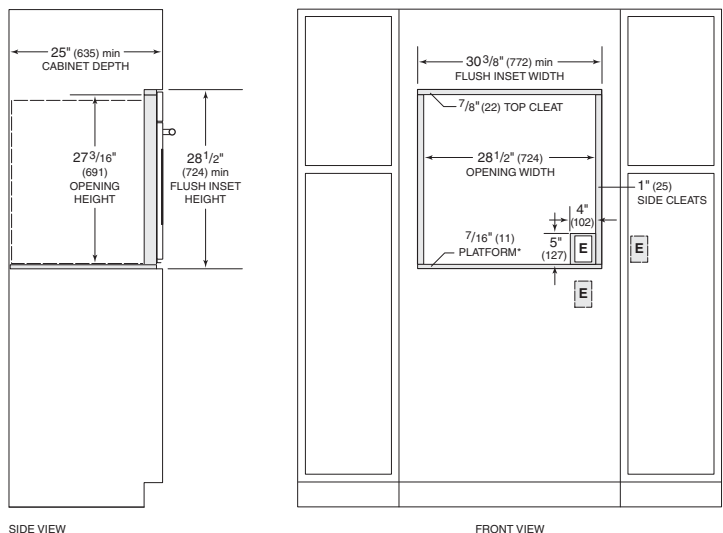


\*Dimension must accommodate height of oven trim.

NOTE: Location of electrical supply within opening may require additional cabinet depth. Dashed line represents profile of unit.

**IMPORTANT NOTE:** Unless you are using cabinets deeper than 24" (610) for a standard installation or 25" (635) for a flush inset installation, it is recommended that the electrical supply be placed in an adjacent cabinet within reach of the conduit. Choose the location shown in the illustrations that best suits your installation.

#### Flush Inset Installation



SIDE VIEW

FRONT VIEW

\*Platform must support 250 lbs (113 kg).

NOTE: Location of electrical supply within opening may require additional cabinet depth. Dashed line represents profile of unit.