



E Series Built-In Double Ovens

Wolf E series built-in ovens are offered in two different door styles—framed and unframed. The E series built-in design allows the front of the oven to be installed flush with surrounding cabinetry for a more integrated look or used in the standard application, where the oven trim will overlap the cabinet face. With the dual convection fans, E series ovens offer ten different cooking modes.



Model DO30-2U/S-TH shown.

FEATURES

- Framed and unframed door styles in stainless steel finish.
- Dual convection logic control system—lower oven is non-convection.
- Ten cooking modes in upper oven—bake, roast, broil, convection bake, convection roast, convection broil, convection, bake stone (accessory required), dehydrate (accessory required) and proof.
- Four cooking modes in lower oven—bake, roast, broil and proof.
- Touch control panel with LCD display.
- Cobalt blue porcelain oven interiors.
- Six-level rack guides with three adjustable oven racks; one full-extension easy glide, one full-extension door glide and one standard in each oven.
- Large viewing double-pane windows.
- Dual interior halogen lighting.
- Hidden bake element and recessed broil element in each oven.
- Temperature probe and receptacle in upper oven.
- Self-clean, delayed start and Sabbath features in each oven.
- Balanced door hinges assure smooth opening and closing of the doors.

MODEL OPTIONS

Door Style

DO30-2F/S-TH

Framed

DO30-2U/S-TH

Unframed

ACCESSORIES

- Bake stone accessory, includes stone, rack and peel.
- Two-piece broiler pan and temperature probe.
- Set of three standard oven racks.
- One full-extension easy glide rack.
- Dehydration racks with door stop.
- 30" baking sheet kit.

Accessories are available through your authorized Wolf dealer. For local dealer information, visit the find a showroom section of our website, wolfappliance.com.



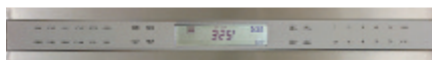
Model DO30-2F/S-TH
Framed Door Style



Model DO30-2U/S-TH
Unframed Door Style



This appliance is certified by Star-K to meet strict religious regulations in conjunction with specific instructions found on www.star-k.org.

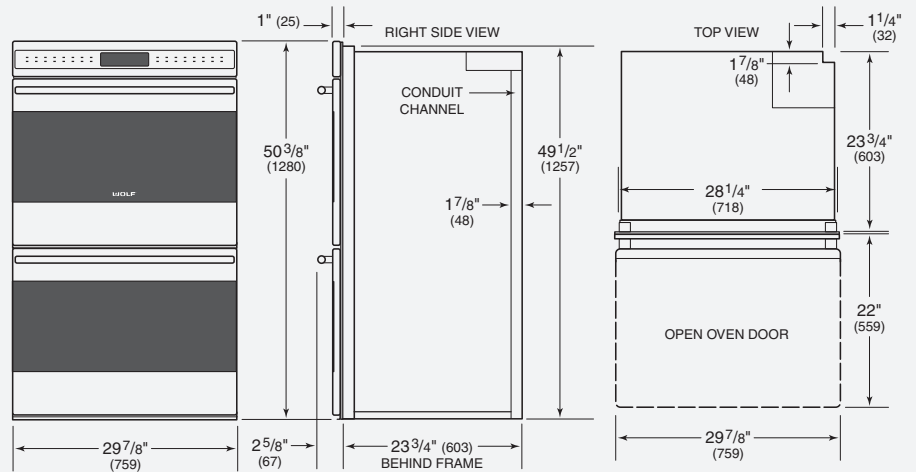


Touch control panel.



E Series Built-In Double Ovens

OVERALL DIMENSIONS



Unit dimensions may vary by $\pm 1/8$ ".

SPECIFICATIONS

Overall Width	29 ⁷ / ₈ "
Overall Height	50 ³ / ₈ "
Overall Depth	23 ³ / ₄ "
Oven Door Clearance	22"
Oven Interior Capacity (per oven)	4.5 cu ft
Oven Interior Dimensions (per oven)	25" W x 16 ¹ / ₂ " H x 16 ³ / ₈ " D
Minimum Cabinet Depth	Standard 24" Flush Inset 25"
Minimum Base Support	400 lbs
Opening Width	28 ¹ / ₂ "
Min Inset Width	30 ³ / ₈ "
Opening Height	49 ⁵ / ₈ "
Min Inset Height	50 ¹⁵ / ₁₆ "
Electrical Requirements	240/208 V AC 60 Hz, 50 amp circuit
Electrical Rating	8.9 kW at 240 V 6.7 kW at 208 V
Shipping Weight	466 lbs

INSTALLATION NOTES

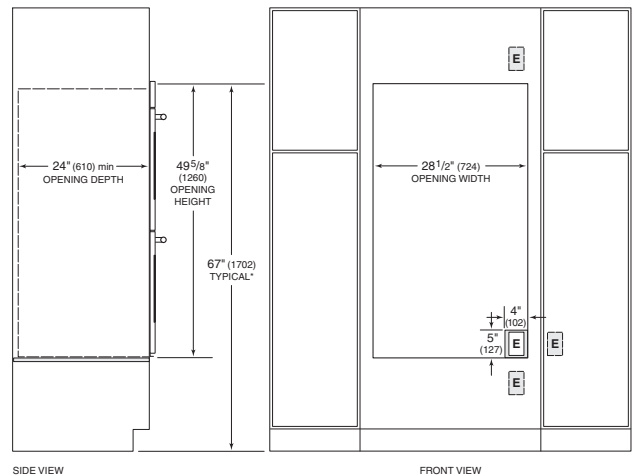
Wolf E series built-in ovens may be used in a standard installation, where the face trim overlaps stiles and rails, or in a flush inset installation with the front of the oven flush with surrounding cabinetry.

Complete installation specifications can be found on our website, wolfappliance.com.

INSTALLATION SPECIFICATIONS

Standard Installation

IMPORTANT NOTE: Unless you are using cabinets deeper than 24" (610) for a standard installation or 25" (635) for a flush inset installation, it is recommended that the electrical supply be placed in an adjacent cabinet within reach of the conduit. Choose the location shown in the illustrations that best suits your installation.

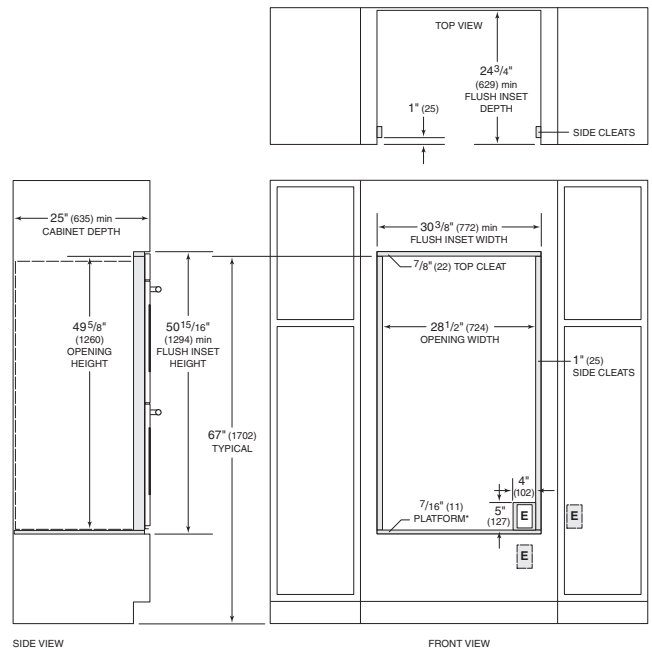


*Dimension must accommodate height of oven trim.

NOTE: Location of electrical supply within opening may require additional cabinet depth. Dashed line represents profile of unit.

Flush Inset Installation

Dimensions in parentheses are in millimeters unless otherwise specified.



*Platform must support 400 lbs (181 kg).

NOTE: Location of electrical supply within opening may require additional cabinet depth. Dashed line represents profile of unit.