

This Owner's Manual is provided and hosted by [Appliance Factory Parts](#).



Wolf IG15/S Owner's Manual

[Shop genuine replacement parts for Wolf IG15/S](#)



[Find Your Wolf HVAC Parts - Select From 108 Models](#)

----- Manual continues below -----

GRILL MODULE



INSTALLATION INSTRUCTIONS

WOLF[®]



CONTACT INFORMATION

Wolf Customer

Service:

800-332-9513

Website:

wolfappliance.com



As you follow these instructions, you will notice **WARNING** and **CAUTION** symbols. This blocked information is important for the safe and efficient installation of Wolf equipment. There are two types of potential hazards that may occur during installation.

⚠ CAUTION

signals a situation where minor injury or product damage may occur if you do not follow instructions.

⚠ WARNING

states a hazard that may cause serious injury or death if precautions are not followed.

Another footnote we would like to identify is **IMPORTANT NOTE**: This highlights information that is especially relevant to a problem-free installation.

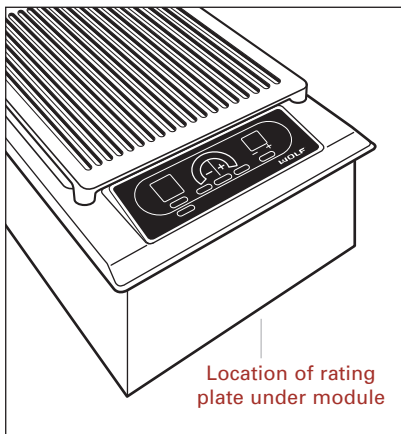
INSTALLATION REQUIREMENTS

IMPORTANT NOTE: Save these Installation Instructions for the local inspector's use.

- Please read the entire Installation Instructions prior to installation.
- This installation must be completed by a qualified technician.
- **Installer:** please retain these instructions for local inspector's reference, then leave them with the homeowner.
- **Homeowner:** please read and keep these instructions for future reference and be sure to read the entire Use & Care Information prior to use.

IMPORTANT NOTE: This appliance must be installed in accordance with National Electrical Codes, as well as all state, municipal and local codes. The correct voltage, frequency and amperage must be supplied to the appliance from a dedicated, grounded circuit which is protected by a properly sized circuit breaker or time delay fuse. The proper voltage, frequency, and amperage ratings are listed on the product rating plate.

Record the model and serial numbers before installing the grill module. Both numbers are listed on the product rating plate located on the underside of the module. Refer to the illustration below.



Rating plate location

BEFORE YOU START

IMPORTANT NOTE: Installation and service must be performed by a qualified installer or service agency. Warranty service must be performed by a Wolf authorized service center.

- Installation of the grill module must meet the minimum clearance requirements for safe operation. Refer to Site Preparation on page 4.
- If the grill module is to be used with any combination of additional cooktop units or modules, refer to Multiple Cooktop Installation on page 6.
- Electrical installation must be adequate and in compliance with all local codes and ordinances. Electrical ground is required, refer to Electrical Requirements on page 8.

IMPORTANT NOTE: A ventilation hood is recommended (but not required) for use with the Wolf electric grill module.

⚠ WARNING
This module is intended for indoor use.



Model IG15/S

Model Number
IG15/S

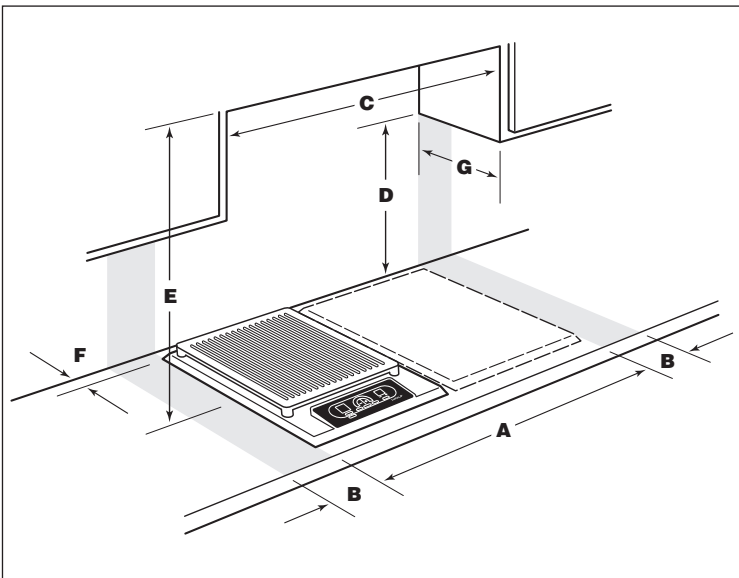
Serial Number



SITE PREPARATION

IMPORTANT NOTE: Installation of the Wolf electric grill module must meet the following location requirements. All dimensions listed are minimum requirements for safe operation. Refer to the illustration below.

⚠ WARNING
 To eliminate the risk of burns or fire by reaching over heated surface units, cabinet storage space located above the surface units should be avoided. If cabinet storage is to be provided, the risk can be reduced by installing a ventilation hood that projects horizontally a minimum of 5" (127) beyond the bottom cabinets.



Minimum installation clearances

LOCATION IN COUNTERTOP

- A)** Minimum flat countertop surface. Must be equal to or greater than the width of the module(s).
- B)** Minimum 6" (152) wide clearance from the module side edge to any combustible surface up to 18" (457) above the countertop (noted by shaded area).

OVERHEAD CABINET DIMENSIONS

- C)** Minimum spacing between overhead side cabinets must be greater than or equal to the nominal width of the module(s).
- D)** Minimum 18" (457) vertical distance from the countertop to the bottom of side cabinets within minimum side clearance.
- E)** Minimum vertical distance between the countertop and combustible materials above the module must be 30" (762).
- F)** Minimum 1" (25) from rear wall.
- G)** Maximum 13" (330) depth of overhead and side cabinets directly above and within side clearance.

⚠ WARNING
 Failure to locate the cooktop module without the proper clearances will result in a fire hazard.

INSTALLATION SPECIFICATIONS

The illustrations below provide the overall dimensions, finished cut-out dimensions and electrical placement for the Wolf electric grill module.

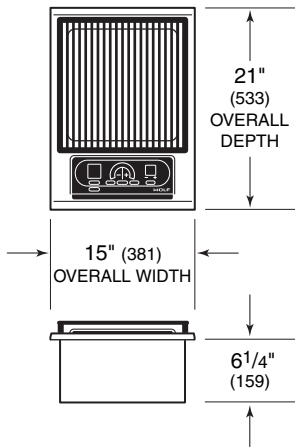
The grill module is designed to fit a standard 24" (610) deep base cabinet with 25" (635) deep countertop. Before making the countertop cut-out, verify that the module will clear the side walls of the base cabinet below.

A grounded junction box needs to be placed within 4' (1.2 m) of the right rear of the module. Locate electrical with the shaded area of the illustration below.

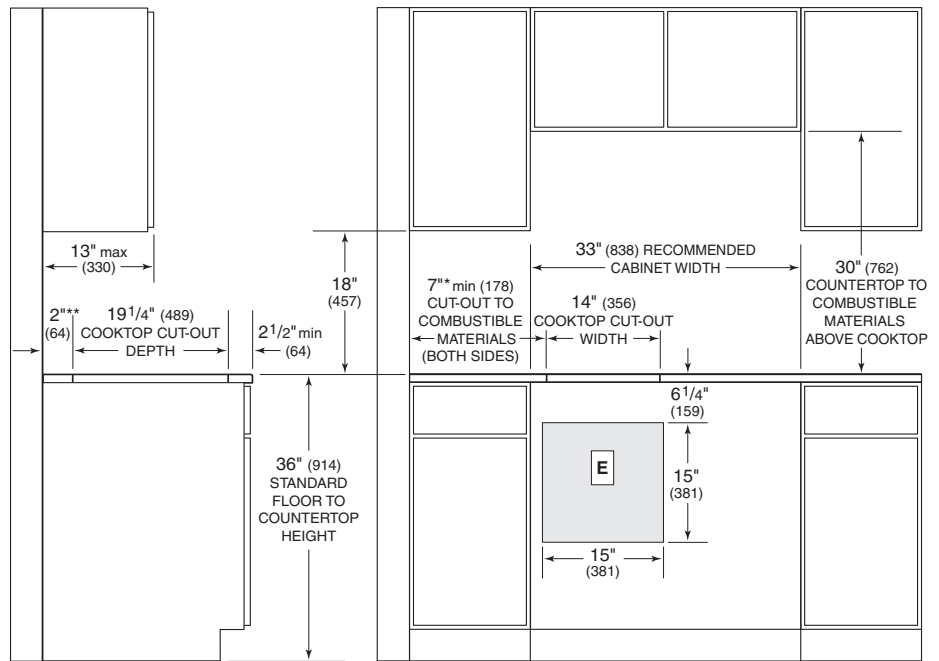
MODEL IG15/S DIMENSIONS

Overall Width	15" (381)
Overall Height	6 1/4" (159)
Overall Depth	21" (533)
Minimum Cabinet Depth	22 3/4" (578)
Minimum Height Clearance	6 1/4" (159)
Cut-Out Width	14" (356)
Cut-Out Depth	19 1/4" (489)

Unit dimensions may vary to ±1/8" (3).



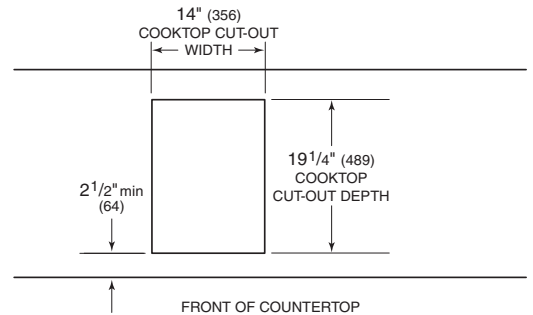
Overall Dimensions



NOTE: Application shown allows for installation of two 15" (381) modules side-by-side with 33" (838) recommended cabinet width. 18" (457) recommended cabinet width for installation of single 15" (381) cooktop or module. *Minimum clearance from both side edges of cooktop cut-out to combustible materials up to 18" (457) above countertop. **Minimum clearance from rear edge of cooktop cut-out to combustible materials up to 18" (457) above countertop.

Installation Specifications

Countertop Cut-Out Dimensions



Dimensions in parentheses are in millimeters unless otherwise specified.



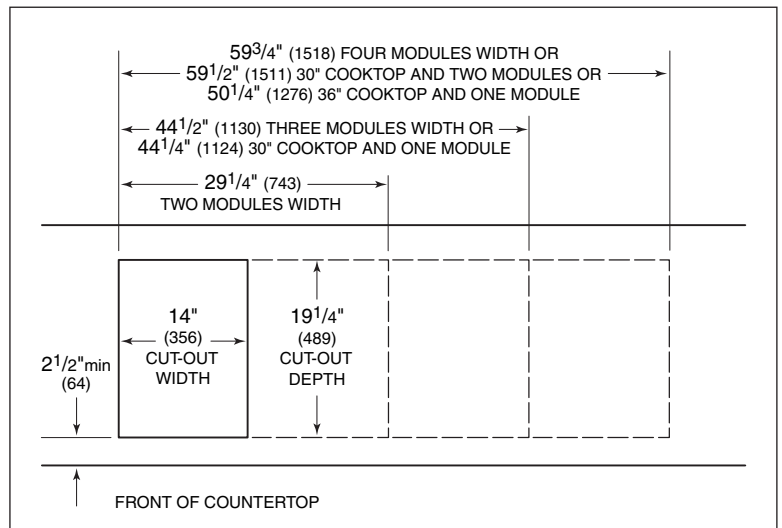
MULTIPLE COOKTOP INSTALLATION

IMPORTANT NOTE: If the grill module is to be used with a combination of additional cooktop units or modules with a filler strip, the cut-out width is calculated by adding the corresponding units' cut-out dimensions plus 1 1/4" (32) for each additional unit.

When multiple units are installed side by side, each unit must have its own separate recommended electrical circuit.

When two or more modules are installed together, an integrated module filler strip (IFILLER/S) is recommended.

IMPORTANT NOTE: Review specific installation instructions for product to product capabilities.



Countertop cut-out dimensions for installation of multiple cooktops



VENTILATION OPTIONS

IMPORTANT NOTE: It is recommended that you operate the Wolf electric grill module with either a Wolf cooktop or Pro ventilation hood or hood liner. Contact your Wolf dealer for details.

- **Cooktop Wall Hood** – 30" (762) or 36" (914) widths in classic stainless steel.
- **Cooktop Island Hood** – 42" (1067) width in classic stainless steel.
- **Pro Wall Hood** – 22" (559), 24" (610) or 27" (686) depths and 30" (762) to 66" (1676) widths in classic stainless steel.
- **Pro Island Hood** – 36" (914) to 66" (1676) widths in classic stainless steel.
- **Pro Hood Liner** – available in widths to accommodate 30" (762) to 60" (1524) hoods.

All hoods have welded seams, sealed halogen lighting and removable, dishwasher-safe filters.

IMPORTANT NOTE: Wolf does not recommend the use of downdraft ventilation with the grill module.

IMPORTANT NOTE: When installing a ventilation hood, refer to the specific requirements of the hood for the minimum dimension to the countertop.

ACCESSORIES

Optional accessories are available through your Wolf dealer. To obtain local dealer information, visit the Locator section of our website, wolfappliance.com.

ELECTRICAL REQUIREMENTS

⚠ WARNING

Verify that power is disconnected from the junction box before proceeding.

- **Required Power Supply**
240 V AC, 60 Hz, 20 amp service
208 V AC, 60 Hz, 20 amp service
- **Maximum Connected Load**
2.8 kW at 240 V AC
2.1 kW at 208 V AC

The Wolf electric grill module requires a separate, grounded 3-wire 240/208 V AC, 60 Hz, 20 amp service with its own circuit breaker. The module is provided with a 4' (1.2 m) flexible 3-wire conduit that makes a connection to a junction box. The conduit consists of two insulated hot lead conductors (copper) and one insulated ground conductor (copper). Locate electrical within the shaded area shown in the Installation Specifications illustration on page 5.

You must follow all National Electrical Code regulations. In addition, be aware of local codes and ordinances when installing your service.

IMPORTANT NOTE: This appliance must be installed in accordance with National Electrical Codes, as well as all state, municipal and local codes. The correct voltage, frequency and amperage must be supplied to the appliance from a dedicated, grounded circuit which is protected by a properly sized circuit breaker or time delay fuse. The proper voltage, frequency, and amperage ratings are listed on the product rating plate located on the underside of the module. Refer to the illustration on page 3.

For electrical installation, attach the conductors to the residence wiring in accordance with National Electrical Codes and all state, provincial, municipal and local codes.

The wiring diagram covering the control circuit is located inside the module control box.

⚠ WARNING

The complete appliance must be properly grounded at all times when electrical power is applied.

Do not ground the appliance with the neutral (white) house supply wire. A separate ground wire must be utilized.

If aluminum house supply wiring is utilized, splice the appliance copper wire to the aluminum house wiring using special connectors designed and agency certified for joining copper and aluminum. Follow the connector manufacturer's recommended procedure carefully. Improper connection can result in a fire hazard!

Dimensions in parentheses are in millimeters unless otherwise specified.



MODULE INSTALLATION

Attach the foam strip to the underside of the module frame. Refer to the illustration below.

Gently lower the grill module into the cut-out area in the countertop and center. Check that the front edge of module is parallel to the front edge of the countertop. Check that all required clearances are met.

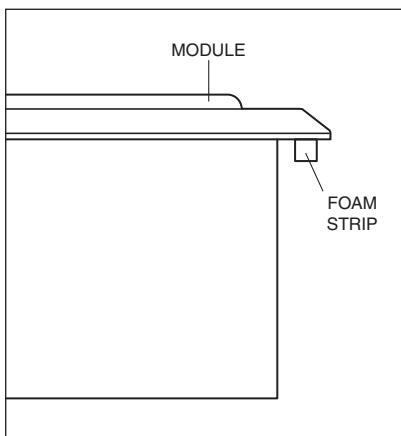
To attach the brackets to the sides of the module, insert the clip into the rectangular punchout in the pan, and push down. Install the clamping screw into the bracket and tighten until the screw contacts the underside of the countertop. Do not overtighten screws. Refer to the illustration below.

IMPORTANT NOTE: Do not use caulk or silicone to seal the module to the countertop. The unit must be readily removable for service.

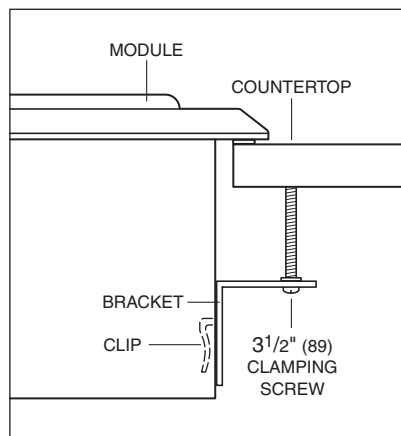
BEFORE OPERATING

Read the entire Wolf Grill Module Use & Care Information included with the module. Important safety, service and warranty information is contained within the book.

Thoroughly clean the grilling grate, grease deflection plates and grease collection pan with mild soap and water before use.



Foam strip



Installation brackets

**MODULE REMOVAL**

IMPORTANT NOTE: Removal of the grill module should only be performed by a Wolf authorized service center technician.

If removing the grill module is necessary for cleaning or service, first disconnect the electric supply. Remove the mounting brackets on each side of module and remove. To reinstall, refer to page 9.

⚠ WARNING

The module must be disconnected from power prior to removal and service.

TROUBLESHOOTING

IMPORTANT NOTE: If the grill module does not operate properly, follow these troubleshooting steps:

- Verify that power is being supplied to the module.
- Check electrical connections to ensure that the installation has been completed correctly.
- Follow troubleshooting procedures as described in the Wolf Grill Module Use & Care Information.
- If the module still does not work, contact a Wolf authorized service center. Do not attempt to repair the cooktop module yourself. Wolf is not responsible for service required to correct a faulty installation.

Dimensions in parentheses are in millimeters unless otherwise specified.



IF YOU NEED SERVICE

- If service is necessary, maintain the quality built into your electric grill module by calling a Wolf authorized service center.
- To obtain the name and number of a Wolf authorized service center, check the Locator section of our website, **wolfappliance.com** or call Wolf Customer Service at **800-332-9513**.
- When calling for service, refer to the model and serial number of the grill module. Both numbers are listed on the product rating plate located on the underside of the module. Refer to the illustration on page 3.

IMPORTANT NOTE: Installation and service must be performed by a qualified installer or service agency. Warranty service must be performed by a Wolf authorized service center.

CONTACT INFORMATION

Wolf Customer Service:
800-332-9513

Website:
wolfappliance.com

The information and images are the copyright property of Wolf Appliance Company, LLC, an affiliate of Sub-Zero Freezer Company, Inc. Neither this book nor any information or images contained herein may be copied or used in whole or in part without the express written permission of Wolf Appliance Company, LLC, an affiliate of Sub-Zero Freezer Company, Inc.

©Wolf Appliance Company, LLC all rights reserved.



WOLF APPLIANCE COMPANY, LLC P.O. BOX 44848 MADISON, WI 53744 800-332-9513 WOLFAPPLIANCE.COM

WOLF[®]

807566

6/2006