

# INSTALLATION GUIDE

Warming Drawers



## Contents

Wolf Warming Drawers . . . . .	3
Installation Considerations . . . . .	4
Warming Drawer Installation . . . . .	7
Service Information . . . . .	15

Features and specifications are subject to change at any time without notice. Visit [wolfappliance.com/specs](http://wolfappliance.com/specs) for the most up-to-date information.

**IMPORTANT NOTE:** Throughout this guide, dimensions in parentheses are millimeters unless otherwise specified.

## Important Note

To ensure the safe and efficient use of Wolf equipment, please take note of the following types of highlighted information throughout this guide:

**IMPORTANT NOTE** highlights information that is especially important.

**CAUTION** signals a situation where minor injury or product damage may occur if instructions are not followed.

**WARNING** states a hazard that may cause serious injury or death if precautions are not followed.



### Warming Drawer Installation

**IMPORTANT NOTE:** This installation must be completed by a qualified installer or Wolf authorized service center technician.

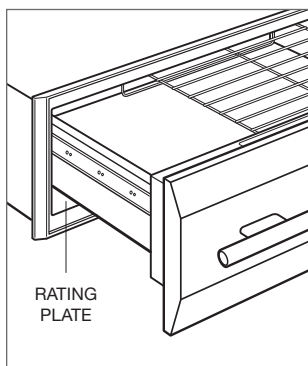
Read this entire installation guide prior to installation and save for the local inspector's reference. The homeowner should keep this installation guide for future reference.

**IMPORTANT NOTE:** The warming drawer must be installed with a Wolf stainless steel or integrated drawer front.

This appliance must be installed in accordance with National Electrical Codes, as well as all state, municipal and local codes. The correct voltage, frequency and amperage must be supplied to the appliance from a dedicated, grounded circuit which is protected by a properly sized circuit breaker or time delay fuse. The proper voltage, frequency, and amperage ratings are listed on the product rating plate.

Record the model and serial numbers before installing the warming drawer. Both numbers are listed on the product rating plate, located on the left front floor area of the inner cabinet. To access the rating plate, the drawer must be fully open. Refer to the illustration below.

Wolf Warming Drawer
Model Number
Serial Number



Location of rating plate.

## Before You Start

- Proper installation is the responsibility of the installer. Product failure due to improper installation is not covered under the Wolf warranty. Refer to the warming drawers use & care guide for warranty details.
- Warranty service must be performed by a Wolf authorized service center. Wolf is not responsible for service required to correct a faulty installation.
- The warming drawer must be installed with a Wolf stainless steel or integrated drawer front. Make sure you have the accessory drawer front called for in your installation. Specific installation instructions are included with the drawer front.
- Make sure cabinetry meets the minimum dimension requirements for your specific installation.
- Check with local utilities for electrical codes that apply in your area. Local codes vary. Installation, electrical connections and grounding must comply with applicable codes. In the absence of local codes, the drawer should be installed in accordance with National Electrical Code ANSI/NFPA 70-1990 or latest edition.
- This appliance must be properly grounded. Refer to electrical requirements on the following page.
- Make sure you have the tools and materials necessary for proper installation.

## TOOLS AND MATERIALS REQUIRED

- Minimum  $\frac{3}{4}$ " (19) thick lumber for the solid platform that supports the warming drawer—must be able to support 200 lbs (91 kg).
- Wood screws and hardware to install the platform.
- 2" x 2" or 2" x 4" lumber for anti-tip block.
- Power saw.
- Level.
- Drill and  $\frac{1}{16}$ " bit,  $\frac{1}{2}$ " bit also for integrated drawer front application.
- Phillips screwdriver.
- 2 wood screws (provided).
- Wood cleats (optional).

## Installation Considerations

- The warming drawer must be installed with a Wolf stainless steel or integrated drawer front. Specific installation instructions are included with the drawer front.
- Model WWD300 is CSA approved for outdoor installations.
- For all installations, the warming drawer must be fully enclosed, top and bottom.
- The warming drawer platform must be able to support 200 lbs (91 kg). The platform must be a minimum of 1" (25) above the toe kick to allow for the warming drawer trim which overlaps  $\frac{5}{8}$ " (16) on all four sides.
- For undercounter installations, 23 $\frac{1}{2}$ " (597) from the bottom of the opening to the floor is typical.

### COMBINATION INSTALLATIONS

Refer to illustrations showing combination installations on the following pages. Also refer to installation instructions provided with the other Wolf products.

- The warming drawer may be installed in combination with a Wolf built-in oven and/or microwave. Additional clearance between warming drawer and oven openings may be required. To allow the warming drawer trim and the oven trim to meet, a  $\frac{7}{8}$ " (22) platform may be used to separate the two openings. This will act as the support platform for the oven and the anti-tip device for the warming drawer. An anti-tip block may be installed at the rear of the cabinet in place of the platform. If the warming drawer is installed above an oven, a  $\frac{7}{8}$ " (22) platform is required to allow for clearance of overlaps.
- The warming drawer may be installed below a Wolf cooktop or sealed burner rangetop. Allow enough room for gas and electrical connections for the cooktop.
- The warming drawer may be installed next to or above another Wolf warming drawer.
- Model WWD300 may be installed below a Wolf outdoor grill.

## Electrical Requirements

The electrical supply should be located as shown in the illustration for your specific installation on the following pages. A separate circuit, servicing only this appliance is required.

**IMPORTANT NOTE:** You must follow all National Electrical Code regulations. In addition, be aware of local codes and ordinances when installing your service.

If two warming drawers are installed side by side, they can operate from the same electrical outlet. A 30 amp circuit breaker is required for this installation.

**IMPORTANT NOTE:** When installed outdoors, a ground fault circuit interrupter (GFCI) is required to reduce the risk of electrical shock.

Electrical Requirements	
Power Supply	120 V AC, 50/60 Hz
Circuit Breaker	15 or 20 amp
Receptacle	3-prong grounding-type

### Drawer Front Options

**IMPORTANT NOTE:** The warming drawer must be installed with a Wolf stainless steel or integrated drawer front.

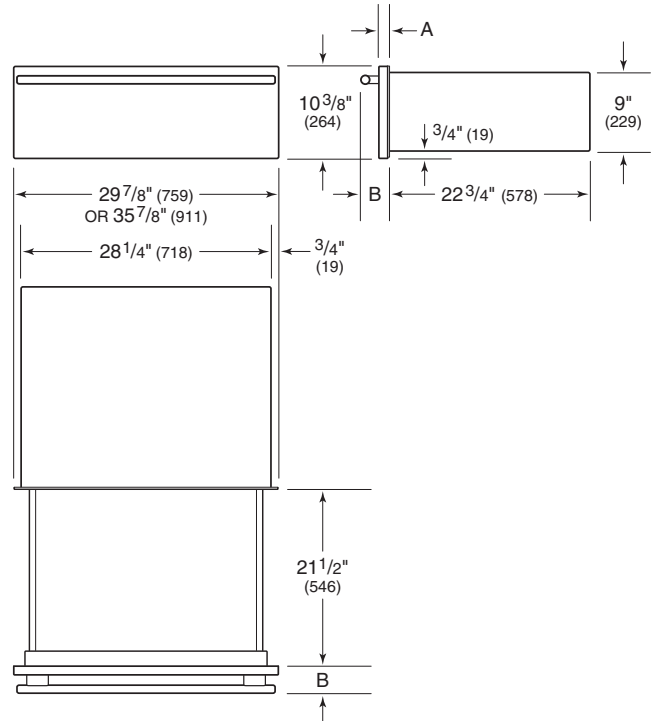
Wolf stainless steel and integrated drawer fronts allow for many design options, but the warming drawer itself will be the same for all applications.

When installing a Wolf warming drawer in combination with an L series or E series built-in oven, you may choose the stainless steel drawer front to match the trim and handle of your oven.

The E series 2" (51) thick drawer front with pro handle, in 30" (762) and 36" (914) widths, is designed to be installed below a sealed burner rangetop or outdoor gas grill, so the panel aligns properly with the front of the rangetop or grill.

Keep in mind, overall dimensions for the warming drawer remain the same, even though the drawer front may be wider to match a Wolf 36" (914) wide oven, sealed burner rangetop or outdoor grill.

### OVERALL DIMENSIONS



Stainless Steel Drawer Front			
	A	B	
<b>L SERIES</b>			
Tubular Handle	7/8" (22)	3 1/2" (89)	
<b>E SERIES</b>			
Tubular Handle	1 1/8" (29)	3 1/2" (89)	
Pro Handle	1 1/8" (29)	3 1/2" (89)	
Pro Handle (2" thick)	2 1/8" (54)	4 1/2" (114)	

Dimensions may vary ± 1/8" (3).

Integrated Drawer Front			
CUSTOM PANEL	W	H	D
Typical	29 7/8" (759)	10 3/8" (264)	3/4" (19)

## Installation Options

### STANDARD, RECESSED OR FLUSH INSET INSTALLATION

The warming drawer with E series drawer front can be installed in a standard, recessed or flush inset application.

For a standard installation, the drawer collar and front panel sit proud of the cabinet face frame. A recessed installation requires the cabinetry be recessed by  $\frac{3}{16}$ " (5) so the collar is flush with the cabinet face frame but the drawer front will sit proud. A flush inset installation requires the drawer collar and front panel be recessed to be flush with surrounding cabinetry. Refer to illustrations on the following pages for minimum cabinet dimensions for your specific installation.

Mounting holes will need to be drilled in the back of the drawer front panel. Holes should be drilled on site to ensure proper fit and gaps are achieved. A drilling template is provide with the integrated drawer front.

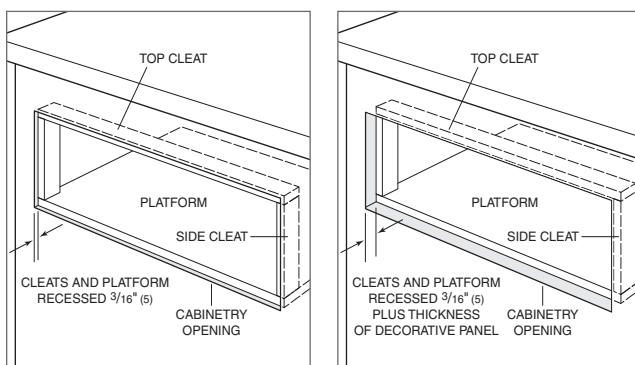
**IMPORTANT NOTE:** Be sure to finish the inside lip of the opening and the front face of the platform and cleats. These areas may be visible when the drawer is open.

**IMPORTANT NOTE:** Be aware of the location of the mounting holes on the warming drawer frame to make sure screws used to attach the cleats do not interfere with screw holes for mounting the warming drawer.

### INSTALL RECESSED CLEATS AND PLATFORM

For a recessed or flush inset application, you will need to install a recessed platform and cleats into the opening. Proper recess of the platform and cleats is critical to the function and esthetics of the warming drawer installation.

The depth of the platform may increase with the cabinet depth. Be sure to rigidly mount the platform so that it can support a minimum of 200 lbs (91 kg). Refer to the illustrations below.

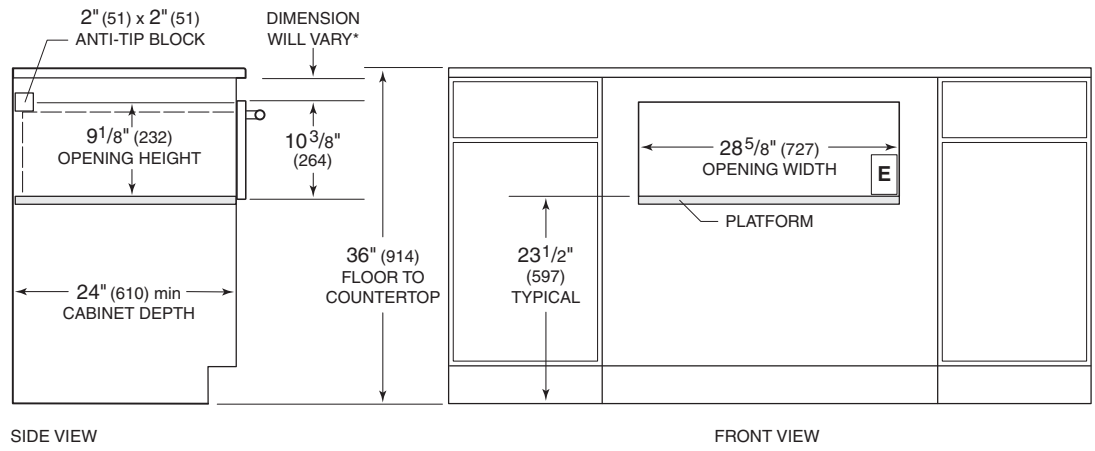


Recessed application.

Flush inset application.

Standard Installation

L SERIES, E SERIES OR INTEGRATED DRAWER FRONT



SIDE VIEW

FRONT VIEW

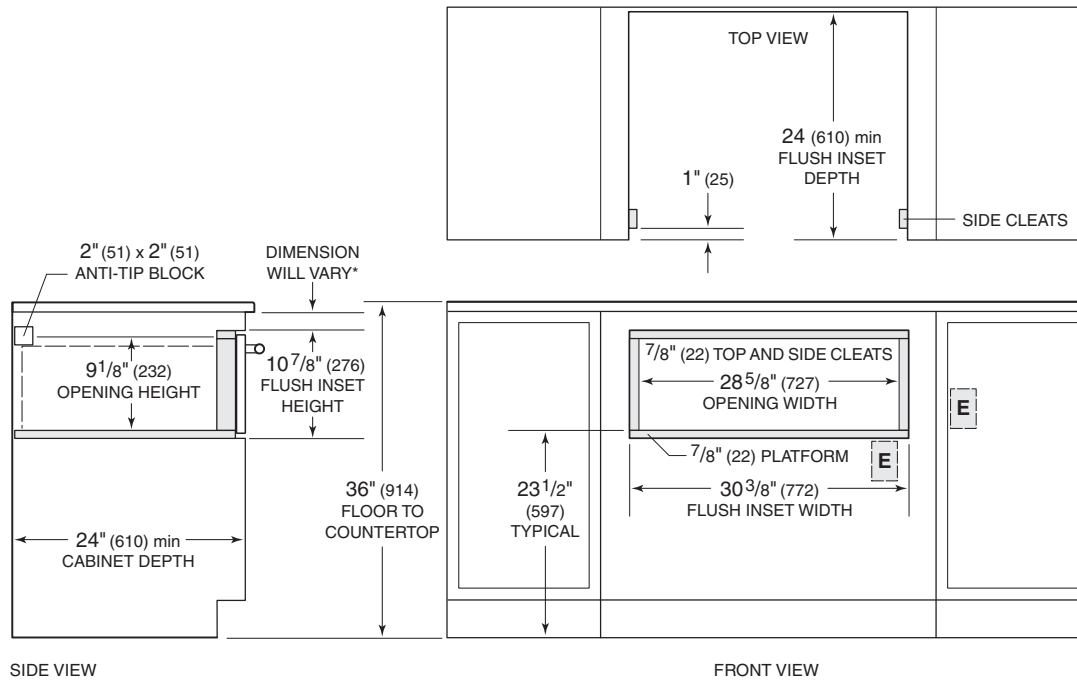
\*Dimension must accommodate height of anti-tip block and drawer face overlap.

NOTE: Location of electrical supply within opening may require additional cabinet depth. Dashed line represents profile of unit.



Flush Inset Installation

E SERIES OR INTEGRATED DRAWER FRONT

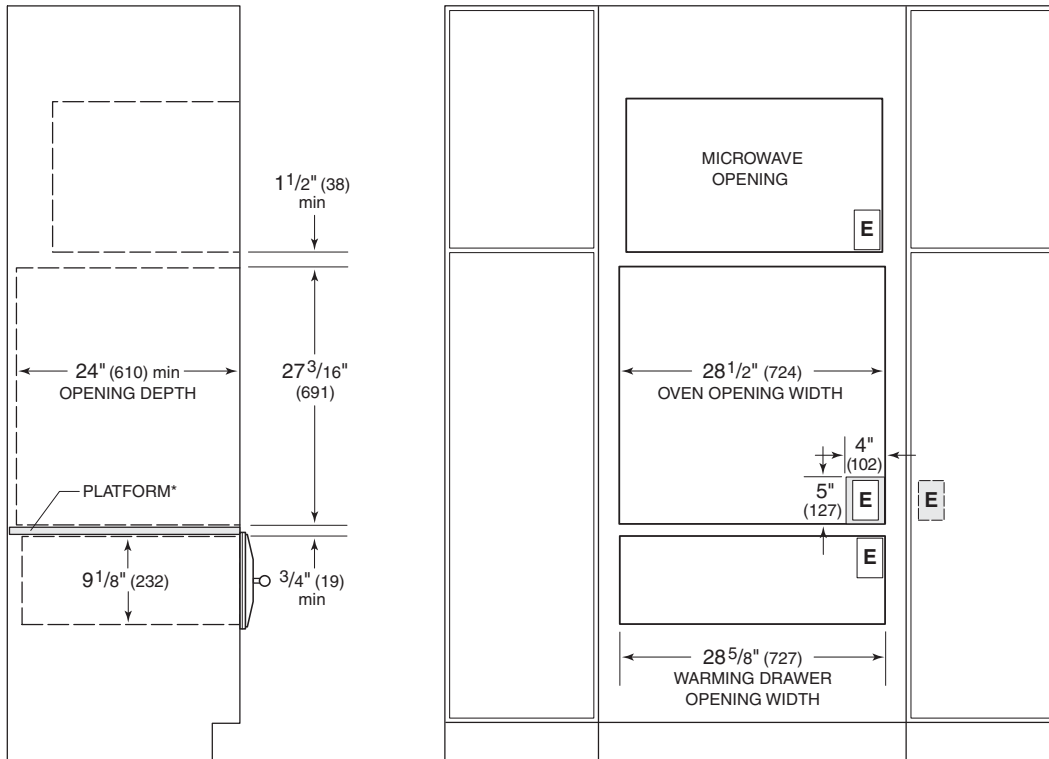


\*Dimension must accommodate height of anti-tip block and drawer face overlap.

NOTE: Dimensions provided allow for 1/4" (6) reveal for proper air flow. Location of electrical supply within opening may require additional cabinet depth. Dashed line represents profile of unit.

Standard Tower Installation

INSTALLATION WITH MICROWAVE AND BUILT-IN OVEN



SIDE VIEW

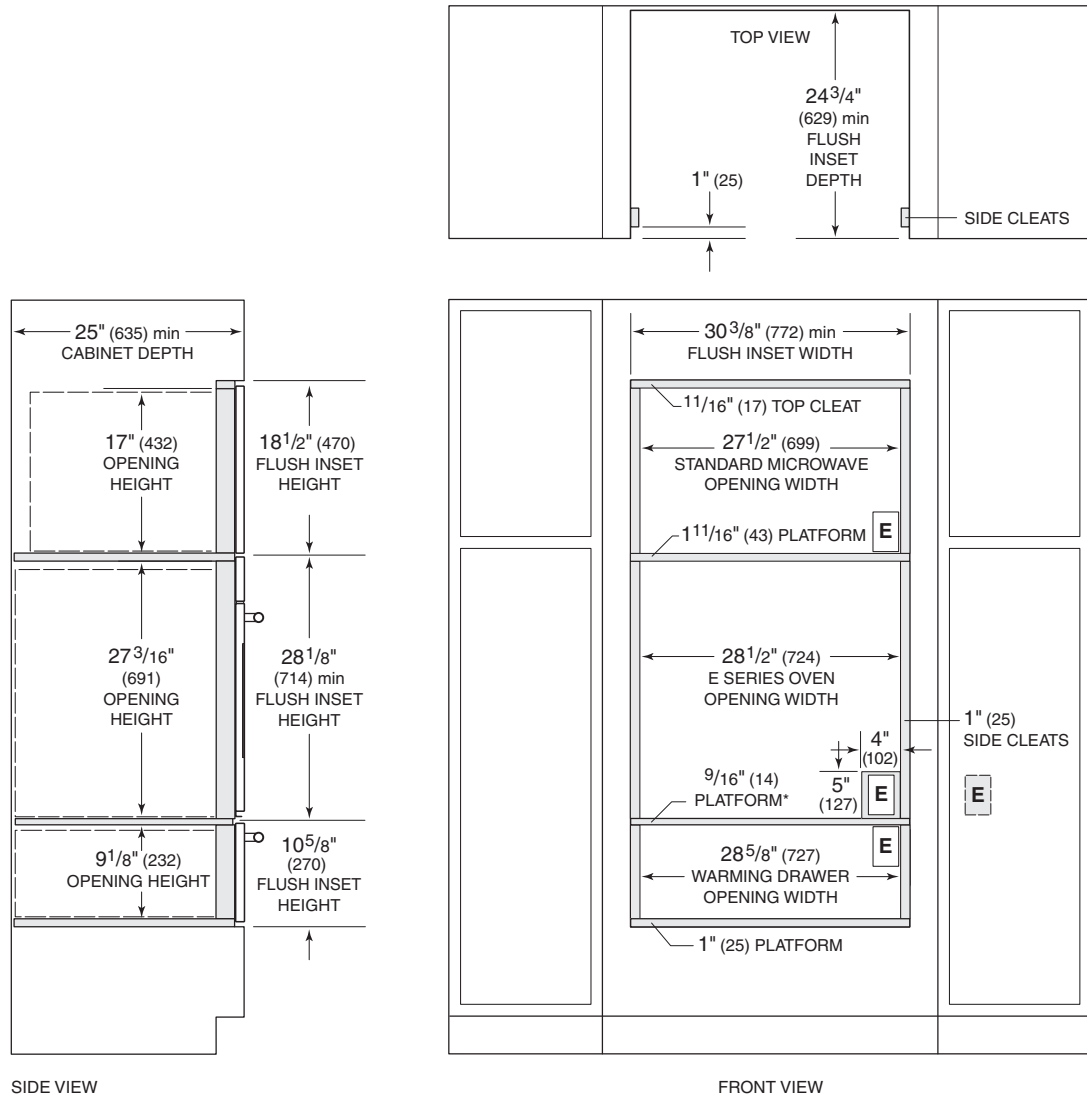
FRONT VIEW

\*Platform must support 250 lbs (113 kg).

NOTE: Location of electrical supply within oven opening may require additional cabinet depth.

Flush Inset Tower Installation

INSTALLATION WITH STANDARD MICROWAVE AND E SERIES OVEN



SIDE VIEW

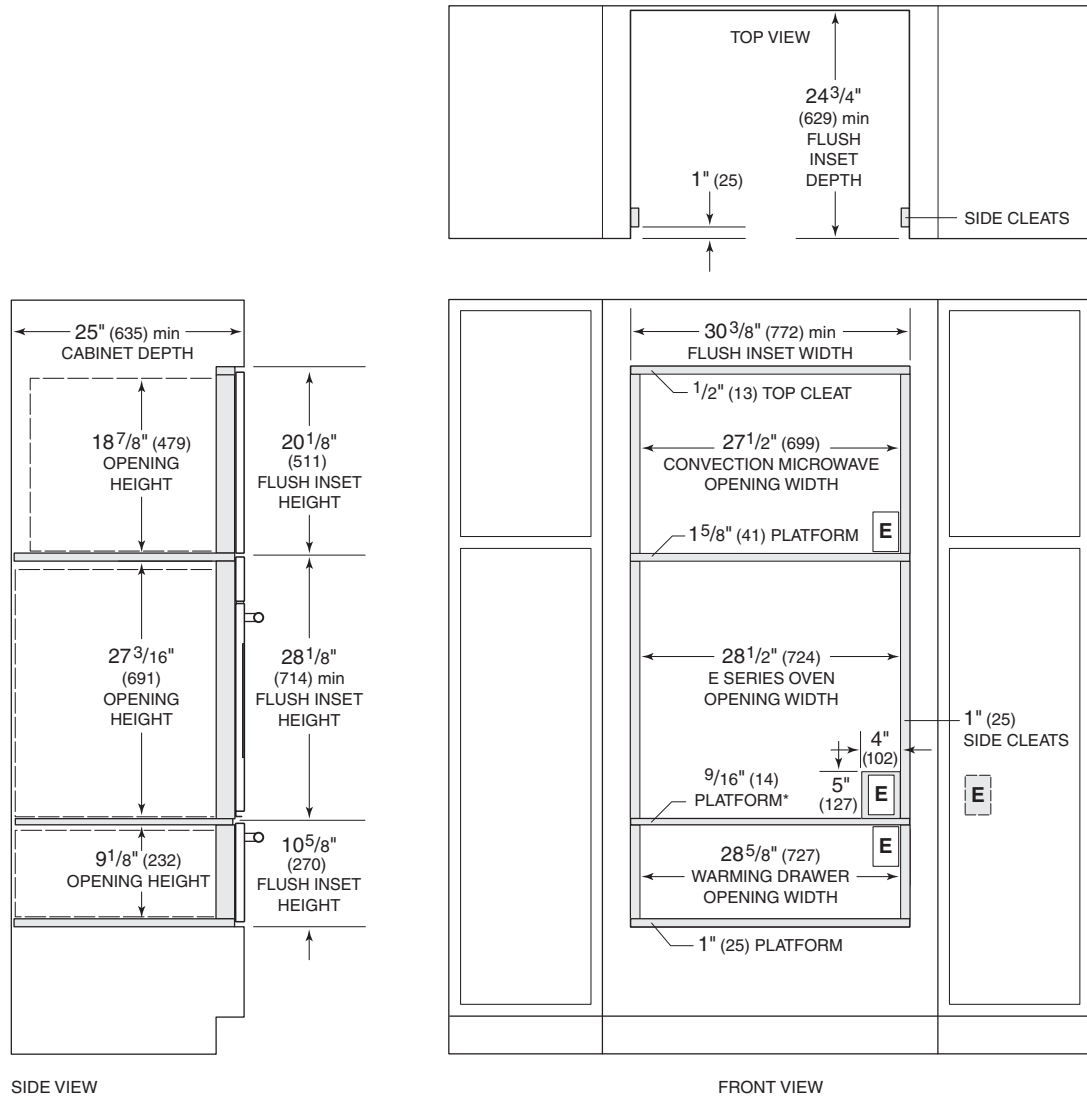
FRONT VIEW

\*Platform must support 250 lbs (113 kg).

NOTE: Location of electrical supply within oven opening may require additional cabinet depth. Dashed line represents profile of unit.

Flush Inset Tower Installation

INSTALLATION WITH CONVECTION MICROWAVE AND E SERIES OVEN



SIDE VIEW

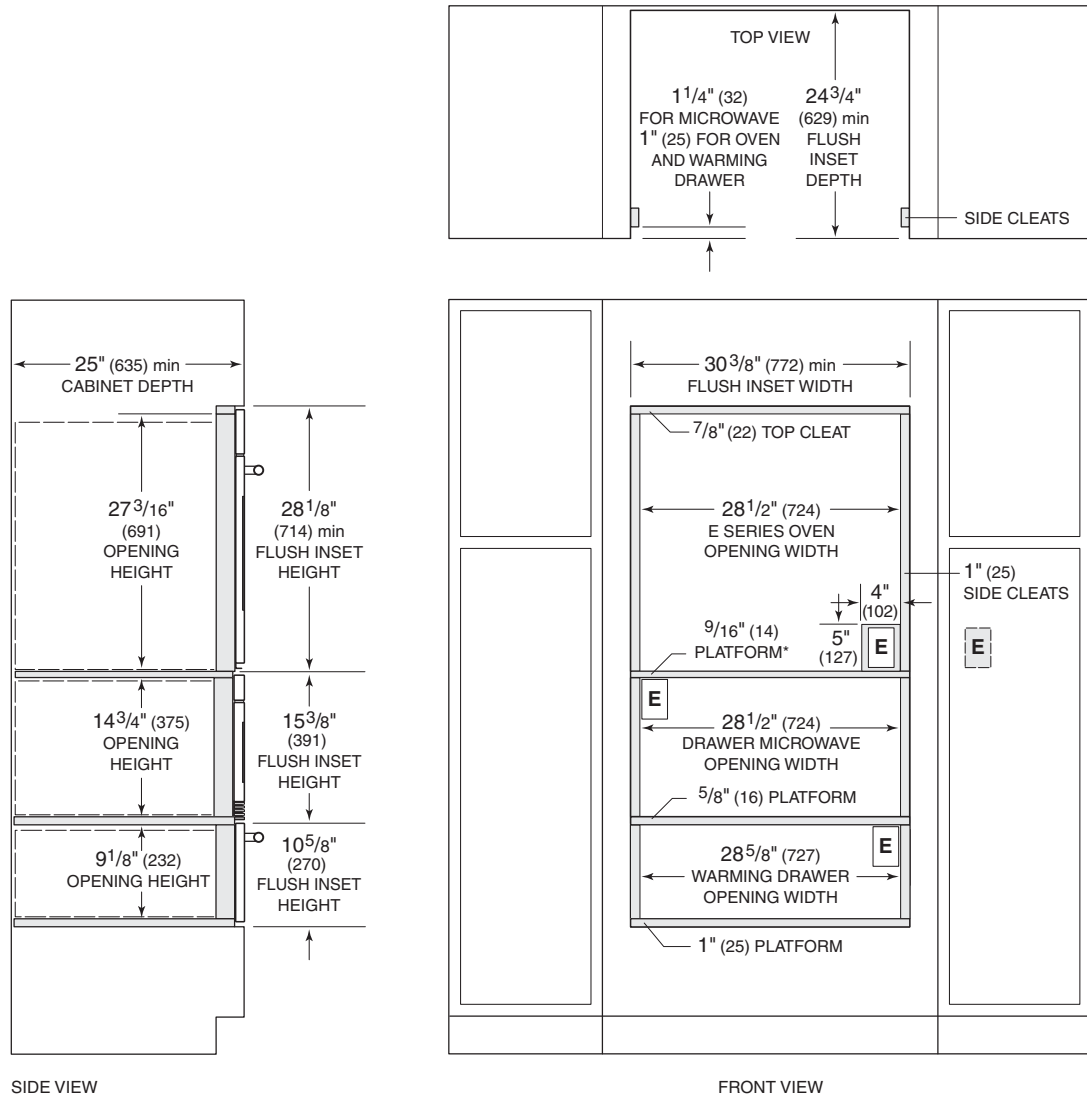
FRONT VIEW

\*Platform must support 250 lbs (113 kg).

NOTE: Location of electrical supply within oven opening may require additional cabinet depth. Dashed line represents profile of unit.

Flush Inset Tower Installation

INSTALLATION WITH DRAWER MICROWAVE AND E SERIES OVEN



\*Platform must support 250 lbs (113 kg).

NOTE: Location of electrical supply within oven opening may require additional cabinet depth. Dashed line represents profile of unit.

## Anti-Tip Block

### INSTALL ANTI-TIP BLOCKING

Install a 2" (51) x 2" (51) or 2" (51) x 4" (102) anti-tip block against the rear cabinet wall. When the warming drawer is installed below a built-in oven, you may use a 7/8" (22) thick platform to allow the warming drawer trim and the oven trim to meet. The platform will act as an anti-tip device for the warming drawer.

#### **⚠ WARNING**

An anti-tip block or platform must be installed to prevent the warming drawer from tipping forward while opened when loaded. Failure to do so could result in personal injury and damage to the cabinet.

## Install the Warming Drawer

Unpack the warming drawer on a flat surface. Remove all packaging materials from inside the warming drawer. Do not discard the package containing the two wood screws needed for installation.

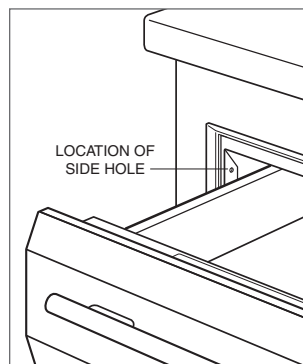
Turn power off to the electrical outlet.

Slide the left corner of the warming drawer into the opening. If the electrical outlet is installed inside the opening, plug the power cord into the outlet. The excess cord should be coiled behind or beside the unit. If the outlet is located in an adjacent cabinet, thread the power cord through the hole in the cabinet wall. Push the drawer back into the opening until the trim meets the cabinet front. Make sure the power cord does not get trapped under the warming drawer.

**IMPORTANT NOTE:** Do not lift up on the handle to push the drawer into place.

Open the warming drawer to its full extension. Drill pilot holes in each side hole, located toward the front on each side of the warming drawer. Install the wood screws provided with the unit. Refer to the illustration below.

Turn power back on to the electrical outlet.



Location of side hole.

## Troubleshooting

**IMPORTANT NOTE:** If the warming drawer does not operate properly, follow these troubleshooting steps:

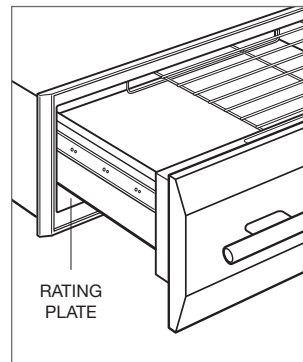
- Verify that power is being supplied to the warming drawer.
- Check electrical connections to ensure that the installation has been completed correctly.
- Refer to the troubleshooting guide in the Wolf warming drawers use & care guide.
- If the warming drawer still does not work, contact a Wolf authorized service center. Do not attempt to repair the warming drawer yourself. Wolf is not responsible for service required to correct a faulty installation.

## Service Information

If service is necessary, maintain the quality built into your warming drawer by calling a Wolf authorized service center.

To obtain the name and number of a Wolf authorized service center, check the contact & support section of our website, [wolfappliance.com](http://wolfappliance.com) or call Wolf customer service at 800-332-9513.

When calling for service, you will need the model and serial number of the warming drawer. Both numbers are listed on the product rating plate, located on the left front floor area of the inner cabinet. To access the rating plate, the drawer must be fully open. Refer to the illustration below.



Location of rating plate.





WOLF APPLIANCE, INC. P. O. BOX 44848 MADISON, WI 53744 WOLFAPPLIANCE.COM 800.332.9513

812542 REV-B

3/2010

