

This Owner's Manual is provided and hosted by [Appliance Factory Parts](#).



# Wolf DD361 Owner's Manual

[Shop genuine replacement parts for Wolf DD361](#)



[Find Your Wolf HVAC Parts - Select From 108 Models](#)

----- Manual continues below -----

**DOWNDRAFT VENTILATION**

**INSTALLATION INSTRUCTIONS**

**WOLF**<sup>®</sup>





## CONTACT INFORMATION

### Wolf Customer

Service:

800-332-9513

Website:

[wolfappliance.com](http://wolfappliance.com)



As you follow these instructions, you will notice **WARNING** and **CAUTION** symbols. This blocked information is important for the safe and efficient installation of Wolf equipment. There are two types of potential hazards that may occur during installation.

#### **⚠ CAUTION**

signals a situation where minor injury or product damage may occur if you do not follow instructions.

#### **⚠ WARNING**

states a hazard that may cause serious injury or death if precautions are not followed.

Another footnote we would like to identify is **IMPORTANT NOTE**: This highlights information that is especially relevant to a problem-free installation.



**INSTALLATION** REQUIREMENTS

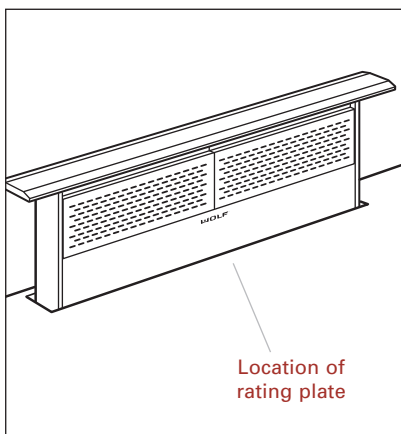
**IMPORTANT NOTE:** This installation must be completed by a qualified installer or Wolf authorized service center technician.

- **Installer:** Please read the entire Installation Instructions prior to installation. Save these instructions for the local inspector’s reference, then leave them with the homeowner.
- **Homeowner:** Please read and keep these instructions for future reference and be sure to read the entire Use & Care Information prior to use.

Any questions or problems about the installation should be directed to your Wolf dealer or Wolf Appliance Company, Inc. at 800-332-9513. You can also visit our website at wolfappliance.com.

**IMPORTANT NOTE:** This appliance must be installed in accordance with National Electrical Codes, as well as all state, municipal and local codes. The correct voltage, frequency and amperage must be supplied to the appliance from a dedicated, grounded circuit which is protected by a properly sized circuit breaker or time delay fuse. The proper voltage, frequency, and amperage ratings are listed on the product rating plate.

Record the model and serial numbers before installing the downdraft ventilation system. Both numbers are listed on the rating plate, located above the airbox on the front side of the unit. Refer to the illustration below.



**Rating plate location**

**BEFORE YOU START**

- Proper installation is the responsibility of the installer. Product failure due to improper installation is not covered under the Wolf Warranty. Refer to the Downdraft Ventilation Use & Care Information for warranty details, or visit our website, wolfappliance.com.
- Check with local utilities for electrical codes that apply in your area. Local codes vary. Installation, electrical connections and grounding must comply with applicable codes. In the absence of local codes, this appliance should be installed in accordance with National Electrical Code ANSI/NFPA 70-1990 or latest edition.
- This appliance must be properly grounded. Refer to Electrical Requirements on page 8.
- Make sure you have the tools and materials necessary for proper installation.
- Any required service must be performed by a Wolf authorized service center. Wolf is not responsible for service required to correct a faulty installation.

RATING PLATE INFORMATION

**Model Number**

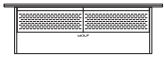
---

**Serial Number**

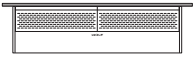
---



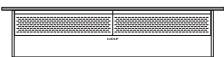
**DOWNDRAFT VENTILATION**



**Model DD30**



**Model DD36**



**Model DD45**

**IMPORTANT NOTE:** Wolf downdraft ventilation systems are recommended for use with Wolf framed electric, gas, induction and multi-function cooktops. They cannot be used with unframed electric cooktops and are not recommended for use with the electric grill, steamer and fryer modules. A Pro ventilation hood is recommended for use with Wolf dual fuel ranges, gas ranges, sealed burner rangetops and gas rangetops.

**IMPORTANT NOTE:** A downdraft can be used with sealed burner rangetop Models SRT304 and SRT366. An accessory trim kit (SRT/DDTRIM) is necessary for this installation. Contact your Wolf dealer for details.

Wolf downdraft ventilation systems are available in 30" (762), 36" (914) and 45 1/2" (1156) widths. The downdraft should be at least as wide as the cooktop.

Models DD30I, DD36I and DD45I include a 500 CFM internal blower. Models DD30R, DD36R and DD45R are shipped without a blower assembly. Remote blowers are available as sales accessories.

**IMPORTANT NOTE:** The downdraft must be used with a Wolf-approved control module and top cover.

The illustrations below provide the overall dimensions for downdraft Models DD30, DD36 and DD45.

**OVERALL DIMENSIONS**

**MODELS DD30I AND DD30R**

Overall Width	30" (762)
Width of Chimney	26 1/4" (667)
Overall Height (above countertop)	9 1/16" (230)
Overall Depth	2 3/8" (60)
Depth of Chimney	1 1/2" (38)

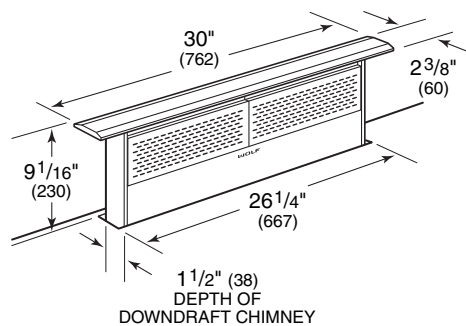
**MODELS DD36I AND DD36R**

Overall Width	36" (914)
Width of Chimney	32 1/4" (819)
Overall Height (above countertop)	9 1/16" (230)
Overall Depth	2 3/8" (60)
Depth of Chimney	1 1/2" (38)

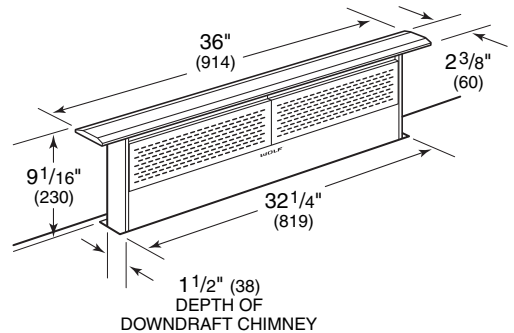
**MODELS DD45I AND DD45R**

Overall Width	45 1/2" (1156)
Width of Chimney	41 1/4" (1048)
Overall Height (above countertop)	9 1/16" (230)
Overall Depth	2 3/8" (60)
Depth of Chimney	1 1/2" (38)

*Dimensions may vary to ± 1/8" (3).*



**Overall dimensions – Models DD30I and DD30R**



**Overall dimensions – Models DD36I and DD36R**



**BLOWER OPTIONS**

Wolf downdraft Models DD30I, DD36I and DD45I include a 500 CFM internal blower. Models DD30R, DD36R and DD45R are shipped without a blower assembly and can be used with the remote blowers listed below. Remote blowers are available as sales accessories.

**Models DD30R, DD36R and DD45R**

- 900 CFM Remote Blower **801641**
- 1200 CFM Remote Blower **801642**
- 1500 CFM Remote Blower **804701**

**IMPORTANT NOTE:** Blower options vary with the cooking surface. For recommendations, refer to the Wolf Design Guide found on the Wolf website, [wolfappliance.com](http://wolfappliance.com).

**IMPORTANT NOTE:** Install this downdraft ventilation system only with a Wolf blower.

**CONTROL KITS**

**IMPORTANT NOTE:** The downdraft must be used with a Wolf-approved control module and top cover.

The remote-mounted control module and top cover are available in the classic, platinum and carbon stainless steel finish for Models DD30 and DD36, and classic stainless steel only for Model DD45.

The control kit, available as a sales accessory for Models DD30 and DD36 and included with Model DD45, includes the control module, top cover, mounting brackets, RJ45 connector and mounting hardware.

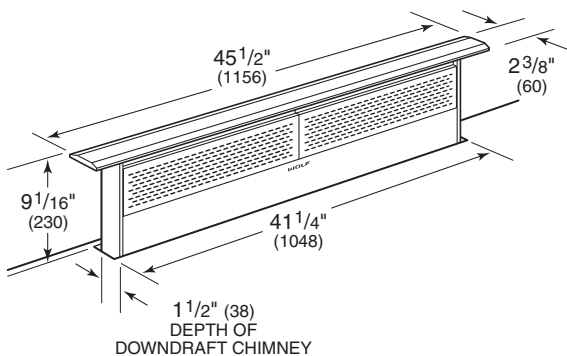
**Models DD30I and DD30R**

- Classic Stainless **DD30CONTROL/S**
- Platinum Stainless **DD30CONTROL/P**
- Carbon Stainless **DD30CONTROL/B**

**Models DD36I and DD36R**

- Classic Stainless **DD36CONTROL/S**
- Platinum Stainless **DD36CONTROL/P**
- Carbon Stainless **DD36CONTROL/B**

Optional downdraft accessories are available through your Wolf dealer. To obtain local dealer information, visit the Locator section of our website, [wolfappliance.com](http://wolfappliance.com).



**Overall dimensions – Models DD45I and DD45R**

Dimensions in parentheses are in millimeters unless otherwise specified.



**INSTALLATION SPECIFICATIONS**

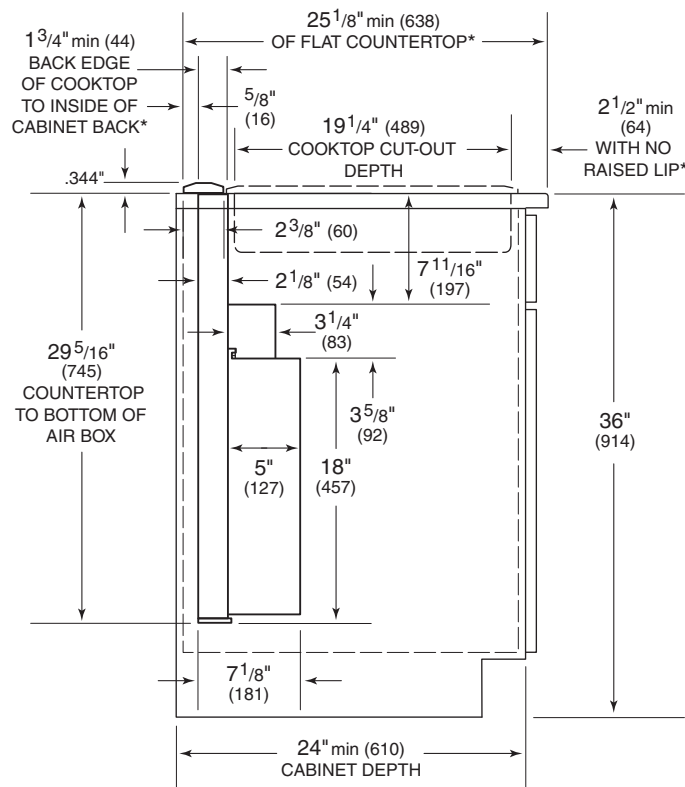
Wolf downdraft Model DD30 will fit most 30" (762) wide cabinets, Model DD36 will fit most 36" (914) wide cabinets and Model DD45 will fit most 45 1/2" (1156) wide cabinets. It is recommended that oversized cabinets be used for easier installation. Cabinet backs may need to be removed.

Wolf downdraft ventilation systems can be mounted in an island, peninsula or standard wall location.

The illustration below provides installation dimensions for all Wolf downdraft models. Pay careful attention to the areas of potential interference as noted in the illustration.

**IMPORTANT NOTE:** To install a downdraft system and a Wolf cooktop, you must allow for a minimum 25 1/8" (638) flat counter space from front to back. A countertop with a raised lip or backsplash may not allow enough space for proper installation. 2 3/8" (60) of flat countertop is required behind the cooktop and 1 3/4" (44) is necessary between the back edge of the cooktop and inside of cabinet back.

If downdraft Model DD30 is installed in combination with with two cooktops or integrated modules, an integrated module support (ISUPPORT) for downdraft ventilation is required. ISUPPORT is not required for Model DD45. If optional filler strips are used with the cooktops or modules, be aware that they are different for the Model DD30 and DD45. Be sure to use the correct filler strip.



\*AREAS OF POTENTIAL INTERFERENCE

**Downdraft installation dimensions**



For installation of a downdraft system with a cooktop, refer to the cooktop installation instructions for the dimensions of the cooktop, countertop cut-out and cabinet requirements. The depth of the cooktop may vary and will affect the location of the downdraft in the countertop.

The illustration below provides countertop cut-out dimensions for downdraft Models DD30, DD36 and DD45 installed with a Wolf 30" (762) or 36" (914) cooktop or combination of cooktop and/or modules.

**IMPORTANT NOTE:** For installation of a downdraft with sealed burner rangetop Models SRT304 and SRT366, an accessory trim kit (SRT/DDTRIM) is necessary. Contact your Wolf dealer for details. To obtain local dealer information, visit the Locator section of our website, wolfappliance.com.

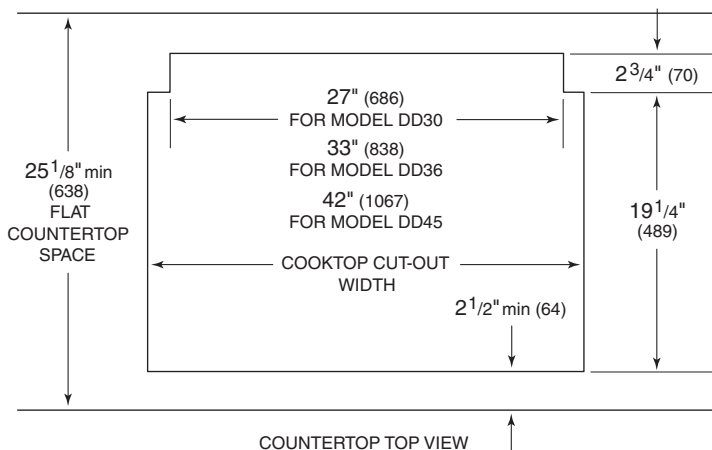
**CONTROL MODULE LOCATION**

Installation of the remote-mounted control module can be located anywhere within 10' (3 m) of the downdraft assembly and a minimum of 4" (102) from the outer edge of cooktop element or burner. You will be required to drill three holes and connect the control module to the downdraft assembly using the cable provided.

The remote-mounted control module is 2<sup>3</sup>/<sub>8</sub>" (60) x 6<sup>5</sup>/<sub>8</sub>" (168) and can be positioned horizontally or vertically in the countertop. A 1" (25) diameter hole for the RJ45 connector cable will be centered horizontally and vertically in the back side of the control module. Two 1/4" (6) diameter holes for the mounting screws will be located 2" (51) from the center of the RJ45 connector cable hole, one on each side. Additional installation instructions are provided with the control kit.

Mark the center of the control module on the counter top. Measure 2" (51) up (or left) and 2" (51) down (or right) to locate holes for the mounting screws.

**IMPORTANT NOTE:** The length of the control module cable is 10' (3 m). You must plan the installation of the control module to be within 10' (3 m) of the downdraft assembly.



**Countertop cut-out dimensions**

Dimensions in parentheses are in millimeters unless otherwise specified.



**ELECTRICAL** REQUIREMENTS

**IMPORTANT NOTE**

**You must follow all National Electrical Code regulations. In addition, be aware of local codes and ordinances when installing your service.**

Wolf downdraft ventilation systems require a separate, grounded 120 V, 60 Hz power supply. The service should have its own 15 amp circuit breaker, and a grounded 3-prong receptacle should be located within the reach of the 2 1/2' (.8 m) power cord. The specific location of the outlet is not critical, as long as it is within reach of the power cord that is located mid-way, top and bottom, on the right side of the downdraft.

**IMPORTANT NOTE:** If Model DD30 is to be installed in a 30" (762) wide cabinet, Model DD36 in a 36" (914) wide cabinet or Model DD45 in a 45 1/2" (1156) wide cabinet, the electrical outlet cannot be located on the back wall of the cabinet. The outlet can be placed in an adjacent cabinet within reach of the power cord. An access hole for the power cord must be drilled in the cabinet wall.

Choose the electrical location shown in the illustration below that best suits your installation.

**IMPORTANT NOTE:** A ground fault circuit interrupter (GFCI) is not recommended and may cause interruption of operation.

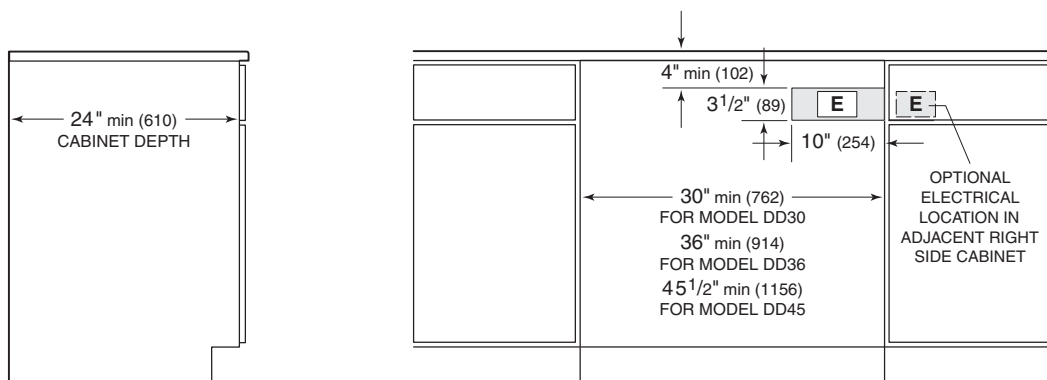
You must follow all National Electrical Code regulations. In addition, be aware of local codes and ordinances when installing your service.

**⚠ CAUTION**

**The electrical outlet must be checked by a qualified electrician to be sure that it is wired with the correct polarity. Verify that the outlet provides 120 V AC and is properly grounded.**

**⚠ WARNING**

**Do not use an extension cord or two-prong adapter. Electrical ground is required on this appliance. Do not remove the power supply cord ground prong.**



**Location of electrical**



**BLOWER CONSIDERATIONS**

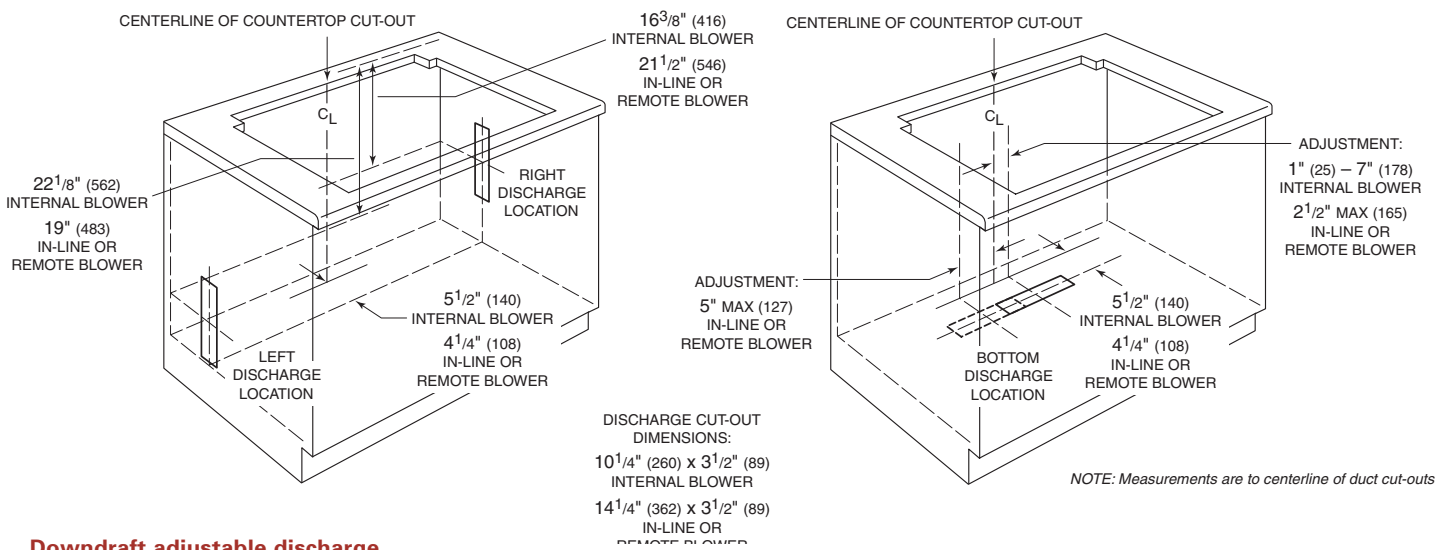
The blower will vary in size and is dictated by the cooking surface, the volume of air that needs to be moved and the length of the duct run. A straight, short duct run with a limited number of elbows and transitions will allow the downdraft to perform most efficiently.

A remote-mounted blower will minimize the amount of blower noise, but will not eliminate the noise completely.

**IMPORTANT NOTE:** Blower options vary with the cooking surface. For recommendations, refer to the Wolf Design Guide found on the Wolf website, [wolfappliance.com](http://wolfappliance.com).

**ADJUSTABLE DISCHARGE**

Wolf downdraft systems have an adjustable discharge that will allow you to negotiate ducting around floor joists and other obstacles. Three different discharge locations are available with side-to-side adjustment for accurate alignment of ductwork. Refer to the illustration below for the discharge location and adjustment that best suits your installation.



**Downdraft adjustable discharge**

Dimensions in parentheses are in millimeters unless otherwise specified.



**DUCTING** CONSIDERATIONS

**IMPORTANT NOTE:** Always consult a qualified HVAC Engineer for specific ducting applications.

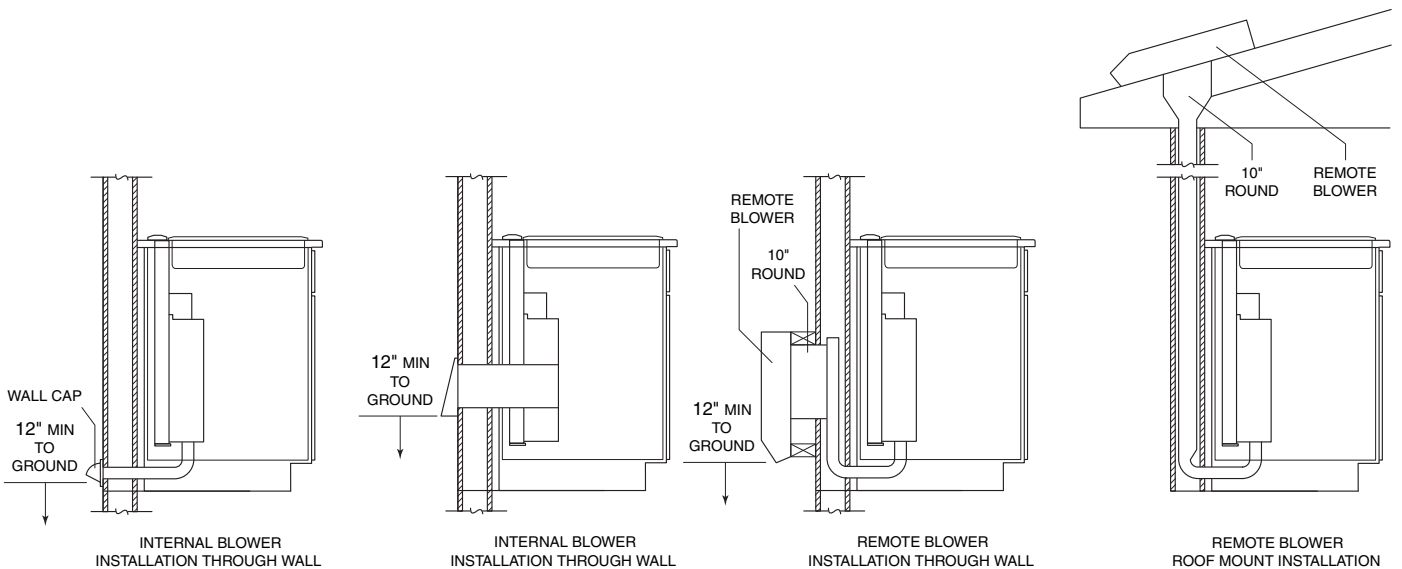
**IMPORTANT NOTE:** Wolf ventilation down-draft systems must be vented to the outside. Use only metal ductwork.

Wolf downdraft ventilation systems are designed for use with 3<sup>1</sup>/<sub>4</sub>" (83) x 10" (254) ductwork for Models DD30I, DD36I and DD45I, and 3<sup>1</sup>/<sub>4</sub>" (83) x 14" (356) ductwork for Models DD30R, DD36R and DD45R. Each can be transitioned to 8" (203) or 10" (254) round ductwork.

For best performance, 10" (254) round ductwork is recommended. The downdraft will operate most efficiently when the ductwork does not exceed 40' (12 m) in length.

Choose the ducting option that allows the shortest length of ductwork and a minimum number of elbows and transitions. Check the location of floor joists, wall studs, electrical wiring or plumbing for possible interference with the ductwork. Refer to the illustrations below for ducting options.

**IMPORTANT NOTE:** Use duct tape to seal the connection between the blower outlet and ductwork. Support the weight of the ductwork as necessary to ensure sealed joints.



**Downdraft ducting options**



ADJUSTING **BLOWER DISCHARGE**

Wolf downdraft systems have an adjustable discharge that will allow you to negotiate ducting around floor joists and other obstacles. The blower is shipped with the discharge facing down.

**DOWN DISCHARGE LEFT TO RIGHT**

Adjusting the down discharge left to right will keep the blower discharge in the down position but allows some side-to-side adjustment.

Follow these steps if the position of the blower discharge needs to be moved left to right so that ductwork does not interfere with floor joists, plumbing or wiring below the unit. Refer to the illustration below.

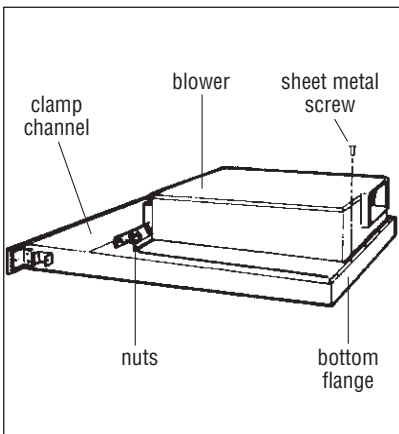
- Place the downdraft assembly on its back on a flat work surface.
- Loosen the 4 nuts and 2 clamp channels.
- Slide the blower to the desired position.
- Use the supplied cover plate to close any open space.
- Tighten nuts to secure the top of blower and use sheet metal screws through the bottom flange to secure the bottom of the blower.

**DOWN TO LEFT OR RIGHT DISCHARGE**

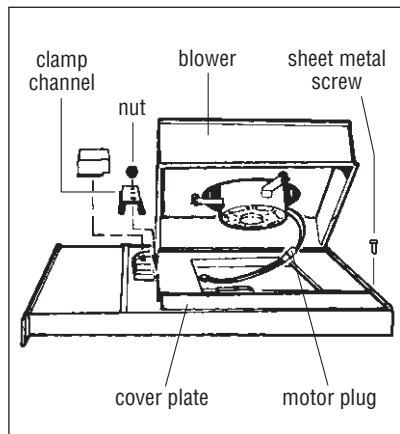
Substituting down discharge with left or right discharge will switch the blower discharge from the down position to the left or right of downdraft assembly.

Follow these steps if it is necessary to rotate the blower to the left or right discharge location. Refer to the illustration below.

- Place the downdraft assembly on its back on a flat work surface.
- Remove the 4 nuts and 2 clamp channels.
- Carefully lift the blower and disconnect the motor plug if necessary. Reposition the blower and reconnect the motor plug.
- Use the supplied cover plate to close any open space.
- Replace the clamp channels and use the nuts to secure the blower in its new position.
- Use sheet metal screws through the bottom flange to secure the bottom of the blower.



**Down blower discharge adjustment**



**Left or right blower discharge**

Dimensions in parentheses are in millimeters unless otherwise specified.

**DOWNDRAFT INSTALLATION****CUT THE COUNTERTOP**

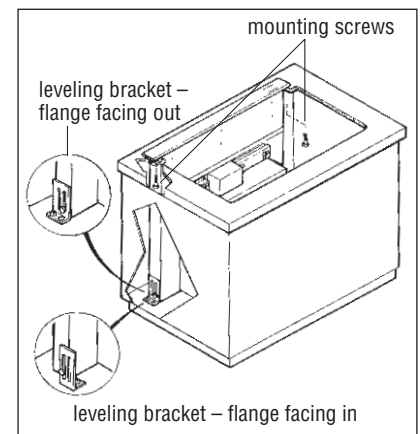
- Lay out and cut the cooktop cut-out far enough forward so the downdraft will fit behind it.
- Set the cooktop in place and slide it as far forward as possible. Center and square the cooktop with edges of countertop.
- Place the plastic template included with the downdraft against the back flange of the cooktop and centered. Trace around the template to mark the downdraft opening.
- Remove the cooktop from countertop.
- Cut the downdraft opening. Be careful not to chip the edges of the countertop.

**MOUNT THE UNIT**

- Set the downdraft into the opening. Extend the leveling brackets to the floor of the cabinet so the downdraft sits straight.  
NOTE: The leveling brackets can be removed and reattached in other positions. The flange of the leveling bracket may have to face inward in tight cabinet installations. Refer to the illustration below.
- Secure the downdraft to the countertop by holding the downdraft against the back of the countertop cut-out and tightening the two mounting screws (one on each end of unit) on the underside of the countertop.
- Screw the leveling brackets to the bottom of the cabinet. Tighten the screws holding the leveling brackets to unit on each side.

**CONNECT THE CONTROL MODULE**

- Connect the RJ45 connector cable to the back side of the remote-mounted control module.
- Connect the other end of the cable to the electrical connection located on the right side of downdraft assembly. Make sure that all connections are tight.
- Refer to the illustration on the front of the downdraft for the correct orientation of the RJ45 connector during installation into the downdraft assembly.

**Downdraft mounting brackets**



## DOWNDRAFT INSTALLATION

### INSTALL DUCTWORK

#### **⚠ WARNING**

**To reduce the risk of fire, use only metal ductwork.**

**IMPORTANT NOTE:** Before cutting the hole in the cabinet for ductwork, check for interference with floor joists, wall studs, electrical wiring or plumbing.

- Cut the hole in the cabinet as well as holes in wall or floor as necessary for the ductwork.
- Mount the roof or wall cap and work back towards the cabinet, attaching all ductwork, elbows and transitions as previously planned. Tape all ductwork connections to make them secure and air tight.
- Connect the ductwork and transition (if required) to the downdraft. If necessary, loosen the nuts and screws that hold the blower in place, and slide the blower left or right to align with the ductwork. Retighten the screws and nuts.

**IMPORTANT NOTE:** For installations where the ductwork is riveted to the unit, a 3<sup>1</sup>/<sub>4</sub>" (83) x 10" (254) collar is provided for Models DD30I, DD36I and DD45I, and a 3<sup>1</sup>/<sub>4</sub>" (83) x 14" (356) collar is provided for Models DD30R, DD36R and DD45R. This will allow the blower to be removed and replaced easily for service without disturbing the ductwork.

### INTERNAL BLOWER WIRING

#### **Models DD30I, DD36I and DD45I**

- Mount a standard 120 V AC electrical box, with 3-pronged grounded receptacle, inside the cabinet or adjacent cabinet. Make sure it is located within the reach of the downdraft's 2<sup>1</sup>/<sub>2</sub>' (.8 m) power cord.
- Run the appropriate power cable into the cabinet and connect it to electrical box and outlet.
- Plug the power cord of the downdraft into the outlet.

**DOWNDRAFT INSTALLATION****REMOTE BLOWER WIRING****Models DD30R, DD36R and DD45R**

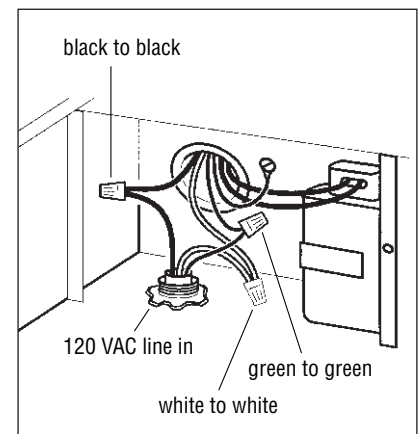
- Mount a standard 120 V AC electrical box, with 3-pronged grounded receptacle, inside the cabinet or adjacent cabinet. Make sure it is located within the reach of the down-draft's 2 1/2' (.8 m) power cord.
- Run the appropriate power cable into the cabinet and connect it to electrical box and outlet.
- The remote blower may not exceed a 6.0 amp rating.
- Run 2-wire plus ground power cable from the remote blower to the electrical box on the remote blower adapter plate.
- Connect the downdraft wiring to the power cable from the remote blower. Wire black to black, white to white and green to green or bare wire. Refer to the illustration below.
- Replace the electrical box cover.
- Plug the power cord of the downdraft into the outlet.

**IMPORTANT NOTE:** For mounting and installation of the remote blower, refer to the installation instructions for your specific blower.

**INSTALL THE TOP COVER****Models DD30 and DD36 only**

**IMPORTANT NOTE:** Model DD45 comes with the top cover already installed.

- Press the UP/DOWN button on the control module.
- Remove shipping brackets from the down-draft chimney.
- Align the mounting brackets on the back surface of the top cover with the corner mounting positions on top of downdraft chimney.
- Screw the top cover mounting brackets into the mounting holes on downdraft chimney with the four screws provided. Make sure that the top cover is secure and runs flush with the front edge of the downdraft.



**Wiring connections**



## TROUBLESHOOTING

**IMPORTANT NOTE:** If the downdraft ventilation system does not operate properly, follow these troubleshooting steps:

- Verify that power is being supplied to the downdraft.
- Check electrical connections to ensure that the installation has been completed correctly.
- Refer to the Troubleshooting Guide in the Wolf Downdraft Ventilation Use & Care Information.
- If the downdraft still does not work, contact a Wolf authorized service center. Do not attempt to repair the downdraft yourself. Wolf is not responsible for service required to correct a faulty installation.

## IF YOU NEED SERVICE

- Maintain the quality built into your downdraft ventilation system by calling a Wolf authorized service center.
- For the name and number of the Wolf authorized service center nearest you, check the Locator section of our website, **wolfappliance.com**, or call Wolf Customer Service at **800-332-9513**.
- When calling for service, you will need the model and serial number of your downdraft. This information is found on the product rating plate, located above the airbox on the front side of the unit.

## CONTACT INFORMATION

**Wolf Customer Service:**  
**800-332-9513**

**Website:**  
**wolfappliance.com**

The information and images are the copyright property of Wolf Appliance Company, Inc., an affiliate of Sub-Zero Freezer Company, Inc. Neither this book nor any information or images contained herein may be copied or used in whole or in part without the express written permission of Wolf Appliance Company, Inc., an affiliate of Sub-Zero Freezer Company, Inc.

©Wolf Appliance Company, Inc. all rights reserved.



WOLF APPLIANCE COMPANY, INC. P.O. BOX 44848 MADISON, WI 53744 800-332-9513 WOLFAPPLIANCE.COM

 **WOLF**<sup>®</sup>

808256 REV-B

11/2006