

This Owner's Manual is provided and hosted by [Appliance Factory Parts](#).



Wolf PL522212 Owner's Manual

[Shop genuine replacement parts for Wolf PL522212](#)



[Find Your Wolf HVAC Parts - Select From 108 Models](#)

----- Manual continues below -----

PRO VENTILATION HOOD LINERS

INSTALLATION INSTRUCTIONS

 WOLF®





CONTACT INFORMATION

Wolf Customer

Service:

800-332-9513

Website:

wolfappliance.com



As you follow these instructions, you will notice **WARNING** and **CAUTION** symbols. This blocked information is important for the safe and efficient installation of Wolf equipment. There are two types of potential hazards that may occur during installation.

⚠ CAUTION

signals a situation where minor injury or product damage may occur if you do not follow instructions.

⚠ WARNING

states a hazard that may cause serious injury or death if precautions are not followed.

Another footnote we would like to identify is **IMPORTANT NOTE**: This highlights information that is especially relevant to a problem-free installation.



INSTALLATION REQUIREMENTS

IMPORTANT NOTE: This installation must be completed by a qualified installer or Wolf authorized service center technician.

- **Installer:** Please read the entire Installation Instructions prior to installation. Save these instructions for the local inspector’s reference, then leave them with the homeowner.
- **Homeowner:** Please read and keep these instructions for future reference and be sure to read the entire Use & Care Information prior to use.

Any questions or problems about the installation should be directed to your Wolf dealer or Wolf Appliance Company, Inc. at 800-332-9513. You can also visit our website at wolfappliance.com.

IMPORTANT NOTE: This appliance must be installed in accordance with National Electrical Codes, as well as all state, municipal and local codes. The correct voltage, frequency and amperage must be supplied to the appliance from a dedicated, grounded circuit which is protected by a properly sized circuit breaker or time delay fuse. The proper voltage, frequency, and amperage ratings are listed on the product rating plate.

Record the model and serial numbers before installing the hood liner. Both numbers are listed on the rating plate, located inside the left wall of the hood liner shell. Refer to the illustration below.

⚠ WARNING
WARNING – TO REDUCE THE RISK OF FIRE, ELECTRIC SHOCK, OR INJURY TO PERSONS, OBSERVE THE FOLLOWING:

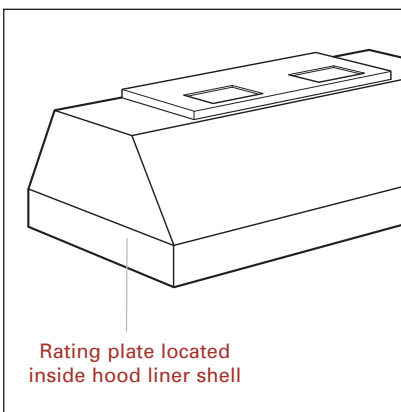
- A)** Installation work and electrical wiring must be done by qualified person(s) in accordance with all applicable codes and standards, including fire-rated construction.
- B)** When cutting or drilling into wall or ceiling, do not damage electrical wiring and other hidden utilities.
- C)** Ducted fans must always be vented to the outdoors.

⚠ CAUTION
To reduce the risk of fire and to properly exhaust air, be sure to duct air outside. Do not vent exhaust air into spaces within walls or ceilings or into attics, crawl spaces or garages.

RATING PLATE INFORMATION

Model Number

Serial Number



Rating plate location

Dimensions in parentheses are in millimeters unless otherwise specified.



INSTALLATION REQUIREMENTS

LIST OF MATERIALS

The following is a list of materials shipped with the Wolf Pro ventilation hood liner.

ACCESSORIES

Optional accessories are available through your Wolf dealer. To obtain local dealer information, visit the Locator section of our website, wolfappliance.com.

- Stainless steel hood liner
- Transition with backdraft damper (attached inside hood liner—needs to be removed)
- Filters (installed in hood liner)
- Installation package (taped to filters) includes:
 - (8) #10 x 2" (51) Phillips head wood screws
 - (8) #10 washers
 - (4) hollow wall anchors
- Installation Instructions
- Use & Care Information and product registration card

INSTALLATION CONSIDERATIONS

IMPORTANT NOTE: Wolf Pro ventilation hood liners are recommended for use with all Wolf cooking appliances and are available to accommodate 36" (914), 42" (1067), 48" (1219), 54" (1372) and 60" (1524) wide hoods.

- Proper installation is the responsibility of the installer. Product failure due to improper installation is not covered under the Wolf Warranty. Refer to the Wolf Pro Ventilation Hoods Use & Care Information for warranty details, or visit the Contact/Help section of our website, wolfappliance.com.
- Make sure you have the tools and materials necessary for proper installation.
- Any required service must be performed by a Wolf authorized service center. Wolf is not responsible for service required to correct a faulty installation.

IMPORTANT NOTE: Wolf Pro ventilation hood liners are shipped without the blower assembly. Wolf internal, in-line and remote blower assemblies are available, refer to page 14. Use only a Wolf blower with the Pro hood liner

IMPORTANT NOTE: Wolf recommends that the Pro ventilation hood liner be installed 30" (762) to 36" (914) above the countertop.

ELECTRICAL REQUIREMENTS

Wolf Pro ventilation hood liners require a separate, grounded 110/120 V AC, 60 Hz power supply. The service should have its own 15 amp circuit breaker. Locate the electrical supply within the shaded area shown in the Installation Specifications illustration on the following page.

You must follow all National Electrical Code regulations. In addition, be aware of local codes and ordinances when installing your service.

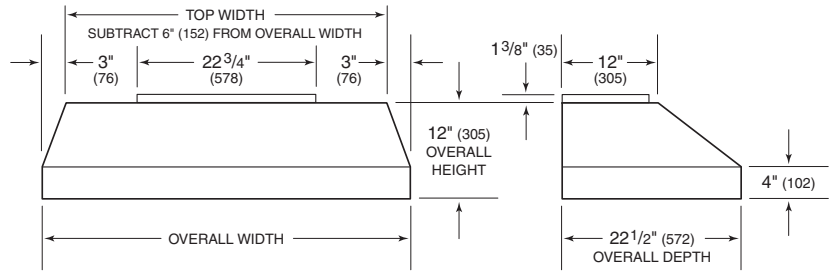
INSTALLATION INSTRUCTIONS

OVERALL DIMENSIONS

PRO HOOD LINERS

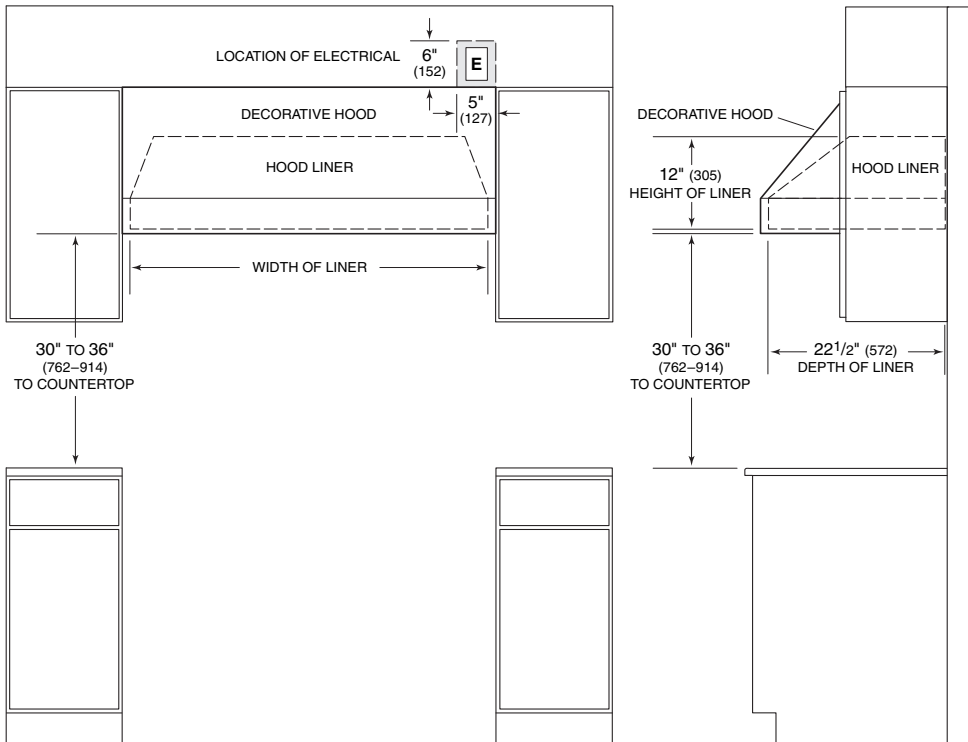
Overall Widths	34 ³ / ₈ " (873), 40 ³ / ₈ " (1026), 46 ³ / ₈ " (1178), 52 ³ / ₈ " (1330) and 58 ³ / ₈ " (1483)
Overall Height	12" (305)
Overall Depth	22 ¹ / ₂ " (572)
Shipping Weight (shell only)	44–65 lbs (20–29 kg)

Dimensions may vary to ±1/8" (3).



Pro Hood Liners

INSTALLATION SPECIFICATIONS

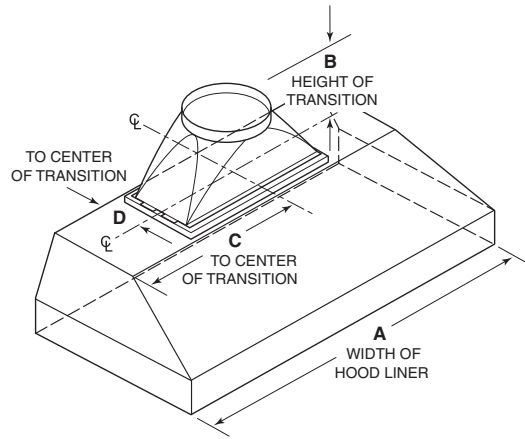


Dimensions in parentheses are in millimeters unless otherwise specified.



INSTALLATION SPECIFICATIONS

The illustration and chart below provide dimensions critical for proper installation of the Pro hood liner.



Pro Hood Liners

Model	(A)	(B)	(C)	(D)
L342212	34 ³ / ₈ " (873)	9 ³ / ₈ " (238)	17 ³ / ₁₆ " (437)	6" (152)
L402212	40 ³ / ₈ " (1026)	9 ³ / ₈ " (238)	20 ³ / ₁₆ " (513)	6" (152)
L462212	46 ³ / ₈ " (1178)	9 ³ / ₈ " (238)	23 ³ / ₁₆ " (589)	6" (152)
L522212	52 ³ / ₈ " (1330)	9 ³ / ₈ " (238)	26 ³ / ₁₆ " (665)	6" (152)
L582212	58 ³ / ₈ " (1483)	9 ³ / ₈ " (238)	29 ³ / ₁₆ " (741)	6" (152)

Letters correspond to those in the illustration.

DECORATIVE HOODS

A decorative hood can be created out of wood, plaster, tile or metal. The shape of the decorative hood is not critical. The only place where the hood liner and outside cover must meet is at the bottom edge of the liner. The decorative hood and liner must fit at the bottom edge in both width and depth.

The height of the hood liner does not have to be the same as the height of the decorative hood and is generally shorter.

The top depth of the hood liner, which is 12" (305) standard, must be less than the interior depth of the decorative hood. Measure the interior depth of the hood at the top height of the liner to make sure the liner will fit inside the decorative hood.

The hood liner comes standard with a 4" (102) lower reveal. Be sure to include this dimension in your decorative hood selection.

Always use the interior measurements of the decorative hood and measure in multiple places. Use the smallest dimensions to verify hood liner specifications.

INSTALL DUCTWORK

⚠ WARNING

To reduce the risk of fire, use only metal ductwork.

IMPORTANT NOTE: Wolf recommends that the Pro ventilation hood liner be installed 30" (762) to 36" (914) above the countertop.

IMPORTANT NOTE: Consult a qualified HVAC Engineer for specific ducting applications.

IMPORTANT NOTE: All Wolf ventilation hood liners must exhaust to the outdoors. Always use metal ducting. Do not use flex ducting.

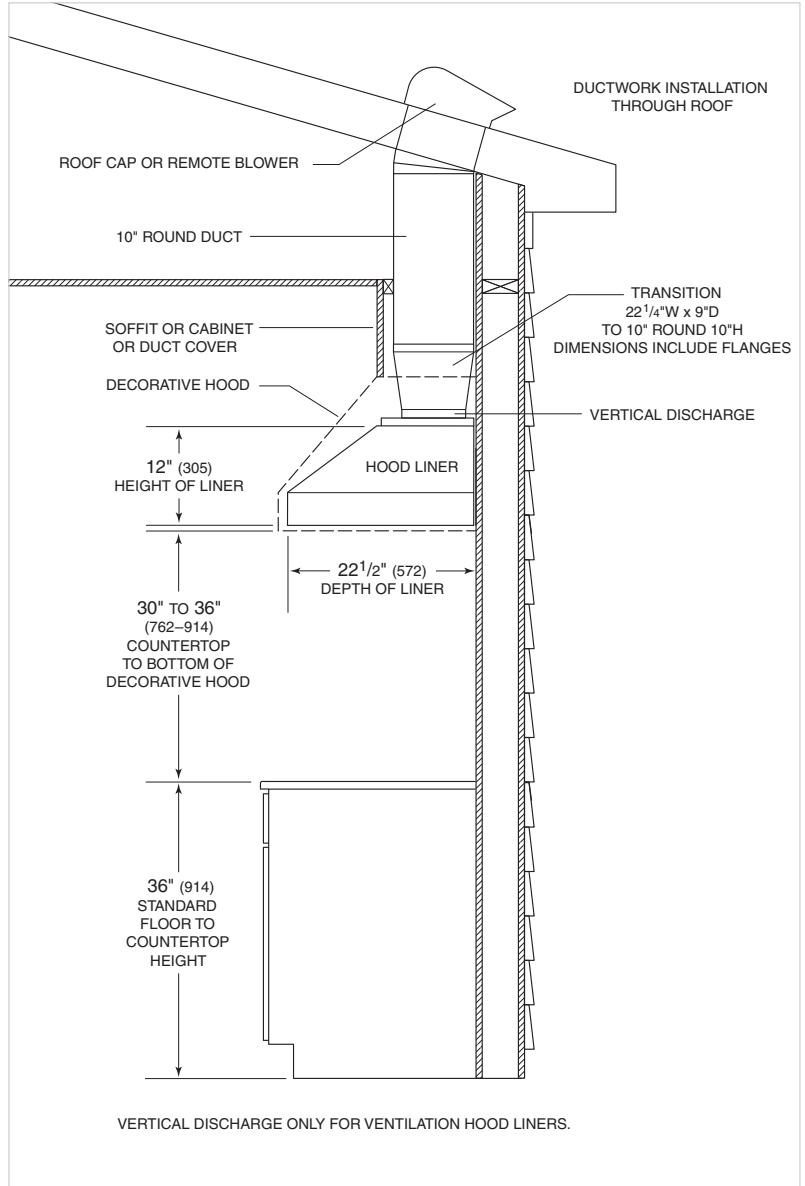
Decide where the ductwork will run between the hood liner and the outside. A straight, short duct run will allow the hood liner to perform more efficiently. Limit the number of elbows and transitions to as few as possible. Long duct runs, elbows and transitions will reduce the performance of the hood liner. Wolf recommends the maximum linear duct run be no greater than 50' (15 m). The Pro hood liner has a vertical discharge.

IMPORTANT NOTE: There is a possibility of noise issues, if there is a short duct run coupled with a remote blower.

Always install a roof or wall cap if you are not installing a remote blower. Connect 10" (254) round metal ductwork to the cap and work back towards the hood. Use duct sealing tape on joints between ductwork sections.

Wolf Pro hood liners come standard with a backdraft damper included in the transition assembly. Local codes may require the use of an additional backdraft damper. Contact your local HVAC professional for specific requirements. In cold weather installations, a backdraft damper is necessary to minimize the backflow of cold air into the room.

Local building codes may require the use of make-up air. Consult your local HVAC professional for specific requirements in your area.



VERTICAL DISCHARGE ONLY FOR VENTILATION HOOD LINERS.

Ducting for Pro hood liners

⚠ CAUTION

To reduce the risk of fire and electric shock, install this ventilation hood liner only with a blower manufactured by Wolf. Blower model numbers are listed on page 14.

Dimensions in parentheses are in millimeters unless otherwise specified.



WALL PREPARATION

⚠ WARNING
Framing must be tied together and to ceiling joists to provide enough structural strength to support the weight of the hood liner and internal blower, if applicable.

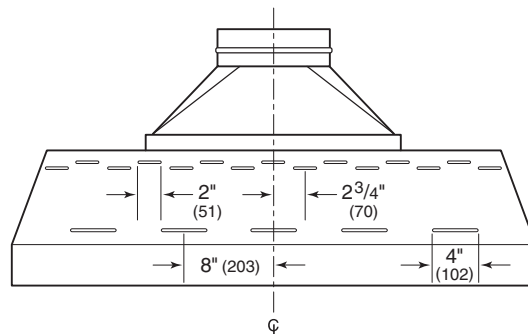
- Construct the wood wall framing flush with the wall studs and centered in the location that the hood liner will be mounted.

Refer to the illustrations below for the location of mounting holes for Pro hood liners and a cross-section of a typical installation.

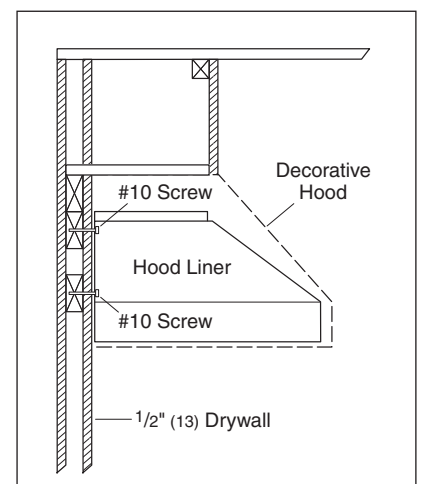
⚠ CAUTION
If wall framing is not available, wall anchors must be used.

HOOD LINER PREPARATION

- If you are installing LBLLOWER-120INT, refer to the internal blower information on page 11 and follow installation instructions provided with the blower.
- The hood liner assembly is shipped with the transition attached. The transition is shipped upside down in the top of the hood liner. It must be removed and reinstalled in the proper position. Refer to the illustration on the following page.
- Remove the filters by pushing each filter up at the angle it is placed in, and rotate down. Remove the center filter first. Gloves should be worn to provide the proper grip when removing filters.
- Separate the transition from the top plate by removing the four shipping screws. **Do not discard the screws**, they will be needed to reinstall the transition to the top plate.
- Attach the transition to existing ductwork with sheet metal screws and duct sealing tape.



Mounting holes for hood liners



Installation cross-section

HOOD LINER PREPARATION

- If you are installing an in-line or remote blower, drill a $\frac{7}{8}$ " (22) hole through the wood framing for the conduit. Refer to the in-line and remote blower information on pages 12–13 and follow installation instructions provided with the blower.

IMPORTANT NOTE: Do not run wiring for the remote blower through the ductwork.

INSTALL THE HOOD LINER

IMPORTANT NOTE: If a backsplash is to be used, it should be installed before the hood liner is mounted.

Position the hood liner in the desired location on the wall. Install the #10 x 2" (59) screws through the mounting holes on the back plate. Verify that the screws engage the wall studs or framing. If not, wall anchors must be used.

IMPORTANT NOTE: If additional support is required for the hood liner, drill supplementary mounting holes in the back plate and use these holes to attach the hood liner assembly to the wall framing.

⚠ CAUTION

Due to the weight of the hood liner, be sure to have adequate manpower for installation.



INSTALL **WIRING**

IMPORTANT
NOTE

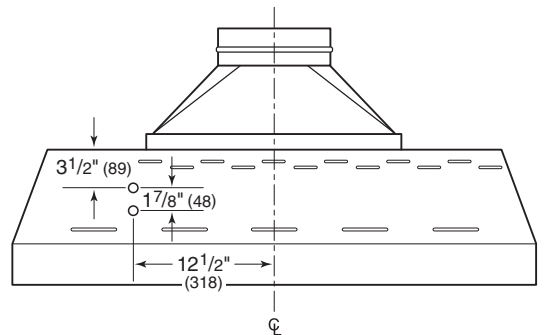
You must follow all National Electrical Code regulations. In addition, be aware of local codes and ordinances when installing your service.

⚠ WARNING
This ventilation hood liner must be properly grounded and should be installed by a qualified electrician in accordance with all applicable national and local electrical codes.

⚠ WARNING
Before servicing or cleaning, switch power off at service panel and lock the service disconnecting means to prevent power from being switched on accidentally. When the service disconnecting means cannot be locked, securely fasten a prominent warning device, such as a tag, to the service panel.

- Run a 120 V AC, 15 amp circuit (minimum) power cable from the service panel to the electrical box in the back of the hood liner.
- Insert the conduit through the holes in the back of the hood liner to the electrical box.
- Remove the electrical box cover from the back of the hood liner. Connect black wire to power supply black wire, white wire to power supply white wire and green wire to green wire or bare wire.
- Place all wiring connections inside the electrical box and reinstall the electrical box cover. Make sure that the wires are secure and that no wires are pinched between the cover and box.

Refer to the wiring diagram packaged with the hood liner for more information.



Pro hood liner wiring location



INTERNAL BLOWER

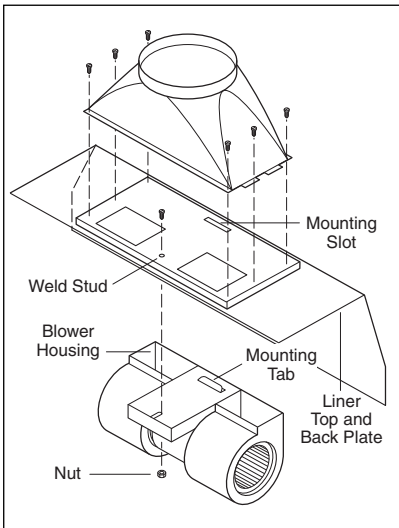
IMPORTANT NOTE: Refer to the installation instructions provided with the internal blower for additional mounting and wiring instructions.

IMPORTANT NOTE: Before turning the power on to the ventilation hood liner, make sure the blower is off.

IMPORTANT NOTE: Use wire connectors or wire nuts approved by UL or C/UL.

LBLOWER-120INT INSTALLATION

- Slide the blower mounting tab into the hood liner top plate mounting slot. Make sure the blower tab and mounting slot are aligned properly front to back.
- Secure the blower with the weld stud at the front of the blower and hood liner top plate with the nut (included with the blower).
- Verify that the blower discharge aligns with the top plate discharge cut-out of the hood liner.
- Once the hood liner installation is complete, plug the blower power cord(s) into receptacle(s) located near the center of the hood liner shell. Use the clips on the interior of the hood liner to keep excess power cord away from moving parts.



Internal blower installation

Dimensions in parentheses are in millimeters unless otherwise specified.



IN-LINE AND REMOTE BLOWERS

BLOWER INSTALLATION

IMPORTANT NOTE: Refer to the specific installation instructions provided with each blower for additional mounting instructions.

Locate the blower so that the length of the duct run and number of elbows and transitions are kept to a minimum. Wolf recommends the maximum linear duct run be no greater than 50' (15 m).

If possible, remote blowers should be located between wall studs or roof rafters. Avoid pipes, wires or other ductwork that may be running through the wall.

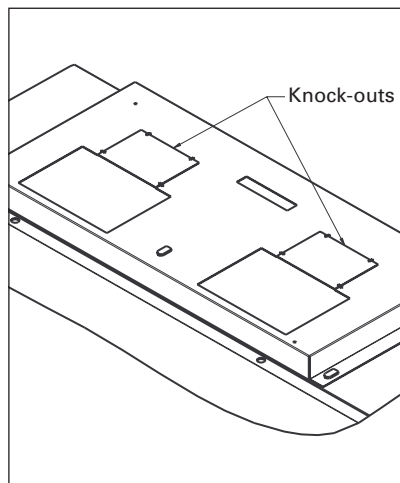
Be sure that there is enough space for any transitions that may be needed between the blower and the connecting ductwork. For best performance, locate transitions nearest the blower.

Remove the two knock-outs in the top plate of the liner when using a remote blower. Refer to the illustration below.

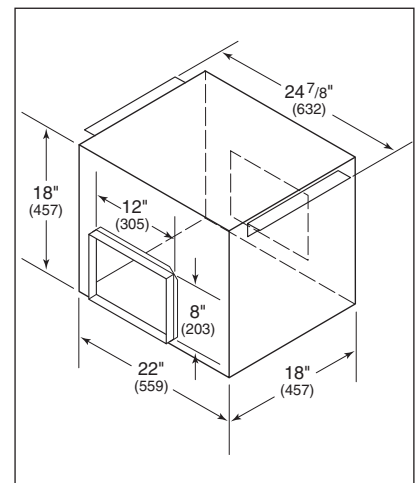
Refer to the illustrations below and on the following page for overall dimensions of Wolf in-line and remote blowers. Also refer to the specific installation instructions provided with each remote blower to verify cut-out dimensions.

ACCESSORIES

Optional accessories are available through your Wolf dealer. To obtain local dealer information, visit the Locator section of our website, wolfappliance.com.



Liner top plate knock-outs



Dimensions for BLOWER-110IL



IN-LINE AND REMOTE BLOWERS

BLOWER WIRING

IMPORTANT NOTE: Refer to the specific installation instructions provided with each blower for additional wiring instructions.

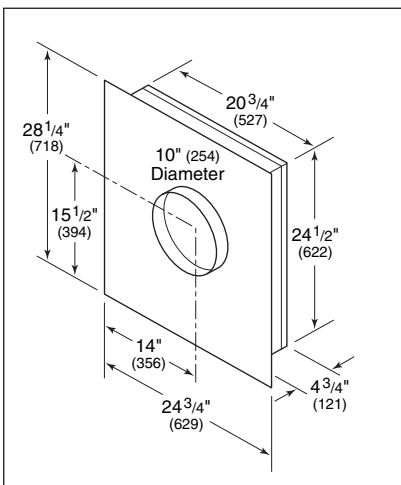
- Follow wiring instructions at the blower as outlined in the specific installation instructions provided with each blower. Black (L1) to black, white (neutral) to white, or white to blue, or white to brown (depending on model) and green to grounding screw. Run blower cable (ROMEX) to the hood liner.
- Insert 6" (152) of ROMEX cable through the supplied holes on the back plate and into the hood liner. Secure the cable to the electrical box with an appropriate connector.
- Locate the cord assembly provided with the blower. The cord assembly has two leads, black (L1) and white (neutral). Connect these leads to the leads from the blower, black to black and white to white.
- Connect **all** green and bare wires together to the ground screw in the electrical box.

- Plug the cord assembly into the receptacle located near the center of the hood shell. Use the clips on the interior of the hood to keep excess power cord away from moving parts.
- Reinstall the electrical box cover and screws. Make sure that all wires are secure and that no wires are pinched between the cover and box.

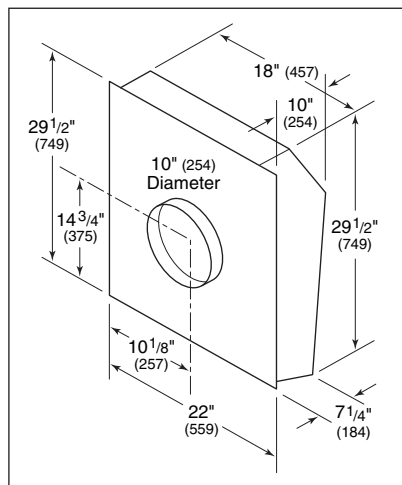
IMPORTANT NOTE: Before turning the power on to the ventilation hood liner, make sure the blower is off.

⚠ WARNING

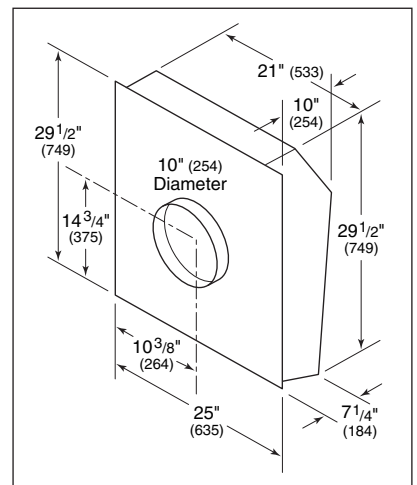
When making electrical connections, make sure the electrical power is turned off at the power source or circuit breaker before proceeding.



Dimensions for BLOWER-90REM



Dimensions for BLOWER-120REM



Dimensions for BLOWER-150REM

Dimensions in parentheses are in millimeters unless otherwise specified.



ACCESSORIES

Optional accessories are available through your Wolf dealer. To obtain local dealer information, visit the Locator section of our website, wolfappliance.com.

INSTALL FILTERS

- Remove all packaging material from the filters.
- Install the filters. Orient each filter with lines running vertically. Position the top edge of the filter as shown in the illustration below. While pressing up against the spring, rotate the bottom edge of the filter into position. Gloves should be worn to provide proper grip.

BLOWER ASSEMBLIES

Wolf Pro ventilation hood liners are shipped without the blower assembly. Wolf internal, in-line and remote blower assemblies are available as sales accessories through your Wolf dealer.

IMPORTANT NOTE: Blower options vary with the cooking surface. Use only a Wolf blower with the Pro ventilation hood liner.

INTERNAL BLOWERS

- LBLOWER-120INT (805087)** – 1200 CFM internal blower for all Pro hood liners.

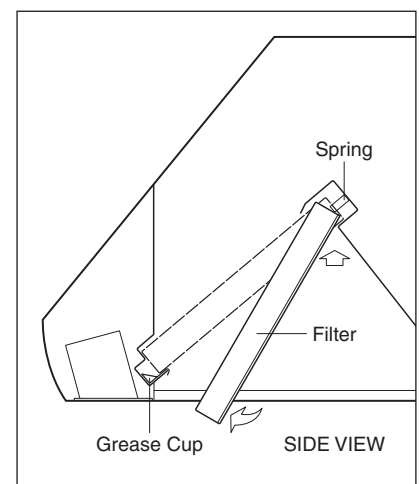
IN-LINE BLOWERS

- BLOWER-110IL (808332)** – 1100 CFM in-line blower for all Pro hood liners.

REMOTE BLOWERS

- BLOWER-90REM (801641)** – 900 CFM remote blower for all Pro hood liners.
- BLOWER-120REM (801642)** – 1200 CFM remote blower for all Pro hood liners.
- BLOWER-150REM (804701)** – 1500 CFM remote blower for all Pro hood liners.

Refer to the Wolf Design Guide for Pro ventilation recommendations. You can also visit our website at wolfappliance.com.



Filter installation



TROUBLESHOOTING

IMPORTANT NOTE: If the Pro ventilation hood liner does not operate properly, follow these troubleshooting steps:

- Verify that power is being supplied to the ventilation hood liner.
- Check electrical connections to ensure that the installation has been completed correctly.
- Refer to the Troubleshooting Guide in the Wolf Pro Ventilation Hoods Use & Care Information.
- If the ventilation hood liner still does not work, contact a Wolf authorized service center. Do not attempt to repair the hood liner yourself. Wolf is not responsible for service required to correct a faulty installation.

IF YOU NEED SERVICE

- Maintain the quality built into your Pro ventilation hood liner by calling a Wolf authorized service center.
- For the name and number of the Wolf authorized service center nearest you, check the Locator section of our website, **wolfappliance.com**, or call Wolf Customer Service at **800-332-9513**.
- When calling for service, you will need the model and serial number of your ventilation hood liner. This information is found on the rating plate located inside the left wall of the hood liner shell. Refer to the illustration on page 3.

CONTACT INFORMATION

Wolf Customer Service:
800-332-9513

Website:
wolfappliance.com

The information and images are the copyright property of Wolf Appliance Company, Inc., an affiliate of Sub-Zero Freezer Company, Inc. Neither this book nor any information or images contained herein may be copied or used in whole or in part without the express written permission of Wolf Appliance Company, Inc., an affiliate of Sub-Zero Freezer Company, Inc.

©Wolf Appliance Company, Inc. all rights reserved.



WOLF APPLIANCE COMPANY, INC. P.O. BOX 44848 MADISON, WI 53744 800-332-9513 WOLFAPPLIANCE.COM

WOLF[®]

810481

2/2007