



## Pro Wall Chimney Hoods

With standard features like heat sentry and dual setting halogen lighting, Wolf pro wall chimney hoods provide the ultimate in ventilation. Pro wall chimney hoods are available in four widths. The pro wall chimney hood installed with an optional 6", 12", 18" or 24" stainless steel duct cover completes the chimney design.



### FEATURES

- Stainless steel finish.
- Optional stainless steel duct cover, available as a sales accessory, completes the chimney design.
- Heavy-duty, 16-gauge brushed stainless steel with continually welded seams, hemmed edges and sides.
- Stainless steel enclosed liner.
- Recessed easy-access controls.
- Infinite-speed blower control.
- Heat sentry feature automatically turns unit on when heat is sensed and automatically adjusts blower speed.
- Halogen lighting with two settings.
- Removable, dishwasher-safe, restaurant-grade stainless steel baffle filters.
- Transition with backdraft damper included.

### MODEL OPTIONS

Model	PWC362418	PWC422418	PWC482418	PWC542418
Overall Width	36"	42"	48"	54"

### BLOWER OPTIONS

CFM	INTERNAL				IN-LINE		REMOTE			
	500	600	900	1200	600	1100	600	900	1200	1500
PWC362418 PWC422418		•	•			•		•	•	•
PWC482418 PWC542418			•	•		•		•	•	•

### ACCESSORIES

- Internal, in-line and remote blowers (refer to chart above).
- 38" high stainless steel backsplash with or without warming racks.
- 6", 12", 18" and 24" stainless steel duct covers.

Accessories are available through your authorized Wolf dealer. For local dealer information, visit the find a showroom section of our website, [wolfappliance.com](http://wolfappliance.com).



Recessed controls.

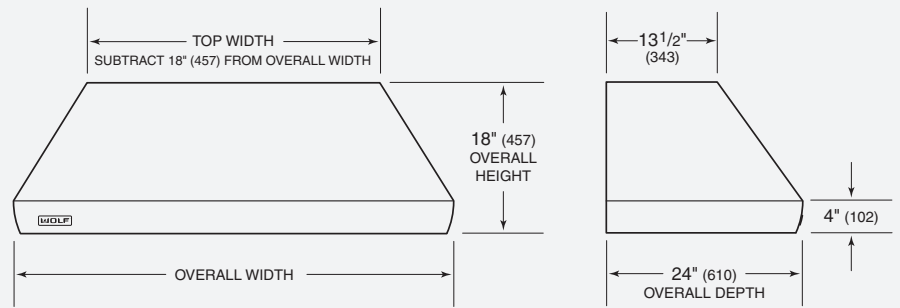


Baffle filters.



## Pro Wall Chimney Hoods

### OVERALL DIMENSIONS

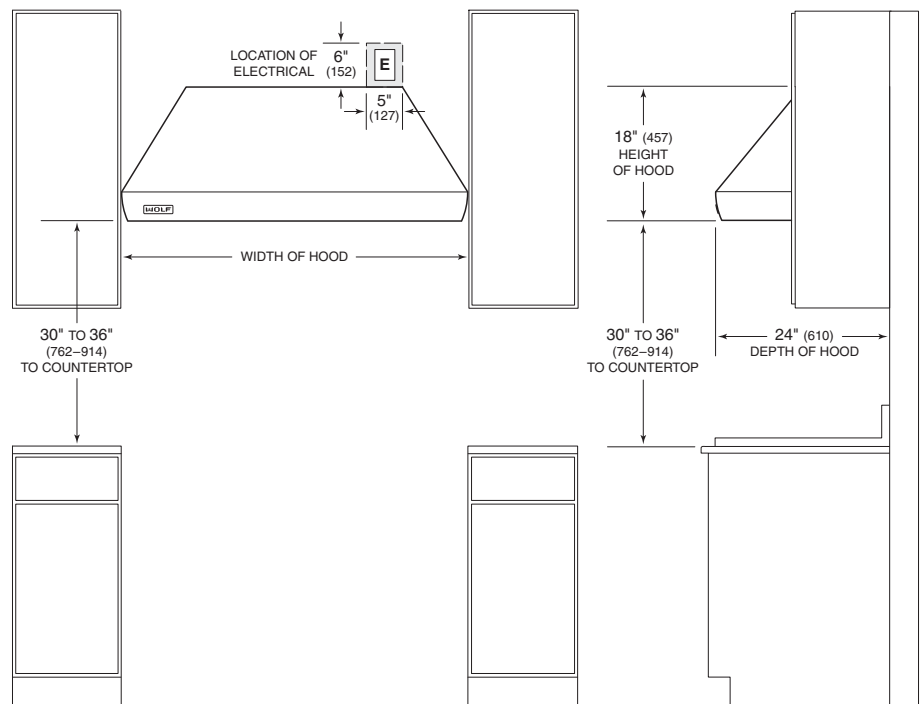


Unit dimensions may vary by  $\pm 1/8$ ".

### SPECIFICATIONS

Exterior Finish	Stainless Steel
Overall Widths	36", 42", 48" and 54"
Overall Height	18"
Overall Depth	24"
Bottom of Hood to Countertop	30" to 36"
Discharge	Vertical
Duct Size	10" Round
Electrical Requirements	110/120 V AC 60 Hz, 15 amp dedicated circuit
Shipping Weight	78–106 lbs

### INSTALLATION SPECIFICATIONS



NOTE: Pro wall chimney hoods have a vertical discharge.

### INSTALLATION NOTES

Pro wall chimney hoods are sold as a shell only. An internal, in-line or remote blower is required. For blower recommendations, visit our website, [wolfappliance.com](http://wolfappliance.com).

**IMPORTANT NOTE:** Pro wall chimney ventilation hoods are recommended for use with all Wolf cooking appliances. For optimal performance, a pro 27" deep wall hood is recommended for use with ranges and range-tops that contain a charbroiler or griddle.

Dimensions in parentheses are in millimeters unless otherwise specified.