

This Owner's Manual is provided and hosted by [Appliance Factory Parts](#).



Wolf CTEWH301 Owner's Manual

[Shop genuine replacement parts for Wolf CTEWH301](#)



[Find Your Wolf HVAC Parts - Select From 108 Models](#)

----- Manual continues below -----

COOKTOP LOW-PROFILE HOODS

INSTALLATION INSTRUCTIONS

WOLF[®]





CONTACT INFORMATION

Wolf Customer

Service:

800-332-9513

Website:

wolfappliance.com

As you follow these instructions, you will notice **WARNING** and **CAUTION** symbols. This blocked information is important for the safe and efficient installation of Wolf equipment. There are two types of potential hazards that may occur during installation.

⚠ CAUTION

signals a situation where minor injury or product damage may occur if you do not follow instructions.

⚠ WARNING

states a hazard that may cause serious injury or death if precautions are not followed.

Another footnote we would like to identify is **IMPORTANT NOTE**: This highlights information that is especially relevant to a problem-free installation.



INSTALLATION REQUIREMENTS

IMPORTANT NOTE: This installation must be completed by a qualified installer or Wolf authorized service center technician.

- **Installer:** Please read the entire Installation Instructions prior to installation. Save these instructions for the local inspector’s use, then leave them with the homeowner.
- **Homeowner:** Please read and keep these instructions for future reference and be sure to read the entire Use & Care Information prior to use.

Any questions or problems regarding the installation should be directed to your dealer or Wolf Appliance, Inc. at 800-332-9513. You can also visit our website, wolfappliance.com.

IMPORTANT NOTE: This appliance must be installed in accordance with National Electrical Codes, as well as all state, municipal and local codes. The correct voltage, frequency and amperage must be supplied to the appliance from a dedicated, grounded circuit which is protected by a properly sized circuit breaker or time delay fuse. The proper voltage, frequency, and amperage ratings are listed on the product rating plate.

Record the model and serial numbers before installing the ventilation hood. Both numbers are listed on the rating plate, located on the underside of the hood, above the grease filter(s). Filter(s) must be removed to access the rating plate. Refer to the illustration below.

BEFORE YOU START

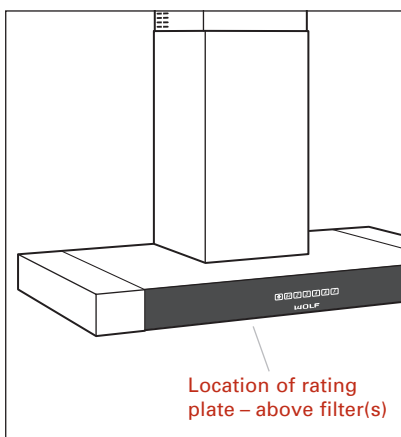
IMPORTANT NOTE: Wolf cooktop low-profile hoods are recommended for use with Wolf induction, electric and gas cooktops and integrated modules. For ranges and rangetops, a Wolf Pro ventilation hood is recommended.

- Proper installation is the responsibility of the installer. Product failure due to improper installation is not covered under the Wolf Warranty. Refer to the Cooktop Low-Profile Hoods Use & Care Information for warranty details, or visit the Contact & Support section of our website, wolfappliance.com.
- Make sure you have the tools and materials necessary for proper installation.
- Two or three people are required for proper installation.
- Before installation, remove all protective packaging and the protective film on the decorative flue.
- Any required service must be performed by a Wolf authorized service center. Wolf is not responsible for service required to correct a faulty installation.

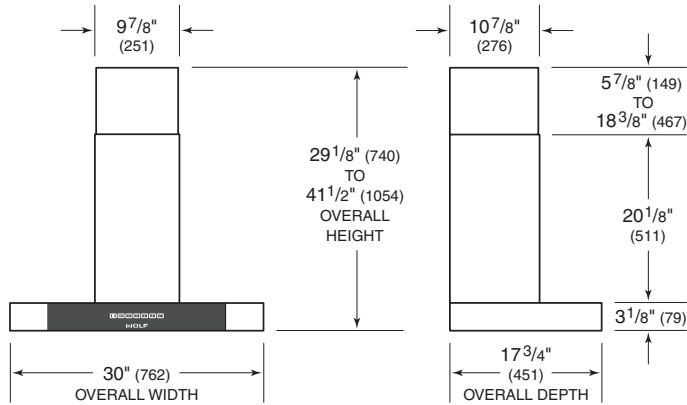
RATING PLATE INFORMATION

Model Number

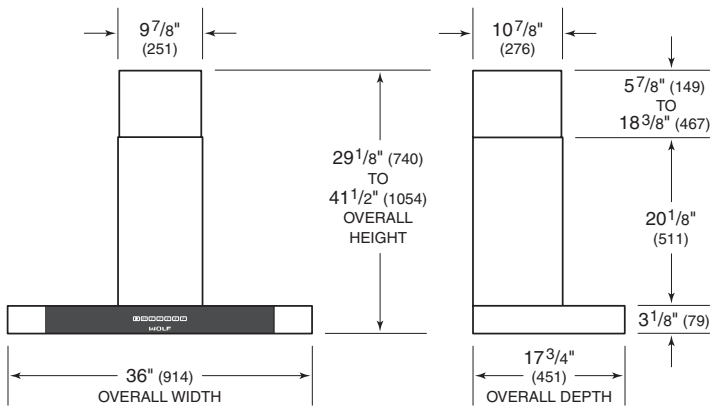
Serial Number



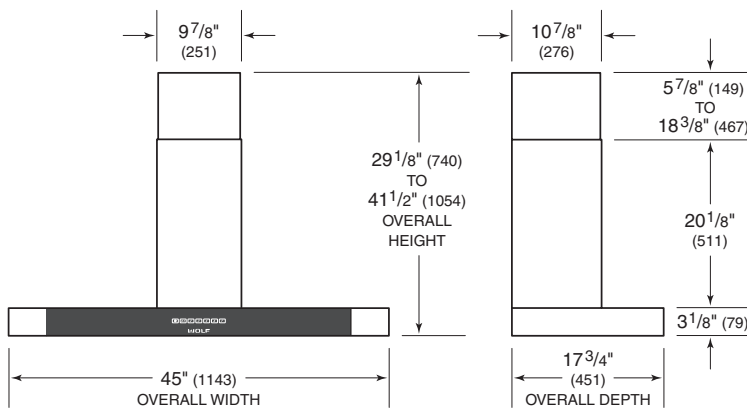
Rating plate location



Model CTEWH30I Wall Hood



Model CTEWH36(I) Wall Hood



Model CTEWH45(I) Wall Hood

WALL HOODS

MODEL CTEWH30I

Overall Width	30" (762)
Height (excluding chimney)	3 1/8" (79)
Min Height (including chimney)	29 1/8" (740)
Max Height (full extension)	41 1/2" (1054)
Overall Depth	17 3/4" (451)
Shipping Weight	53 lbs (24 kg)

MODEL CTEWH36 (I)

Overall Width	36" (914)
Height (excluding chimney)	3 1/8" (79)
Min Height (including chimney)	29 1/8" (740)
Max Height (full extension)	41 1/2" (1054)
Overall Depth	17 3/4" (451)
Shipping Weight	CTEWH36 – 51 lbs (23 kg) CTEWH36I – 57 lbs (26 kg)

MODEL CTEWH45 (I)

Overall Width	45" (1143)
Height (excluding chimney)	3 1/8" (79)
Min Height (including chimney)	29 1/8" (740)
Max Height (full extension)	41 1/2" (1054)
Overall Depth	17 3/4" (451)
Shipping Weight	CTEWH45 – 55 lbs (25 kg) CTEWH45I – 63 lbs (29 kg)

Dimensions may vary to + 1/8" (3).

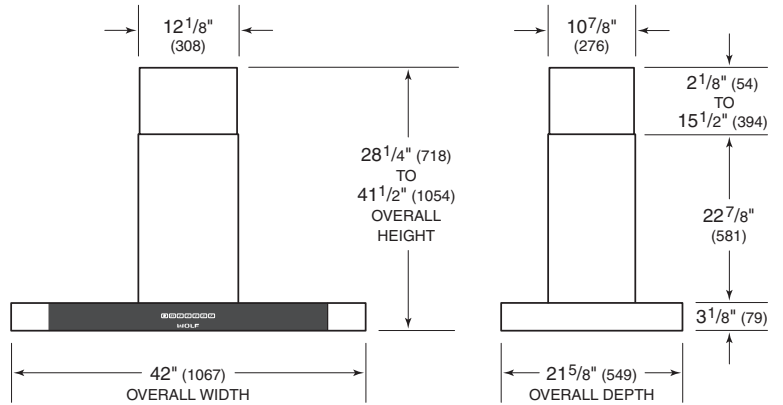
Dimensions in parentheses are in millimeters unless otherwise specified.

ISLAND HOOD

MODEL CTEIH42I

Overall Width	42" (1067)
Height (excluding chimney)	3 ¹ / ₈ " (79)
Min Height (including chimney)	28 ¹ / ₄ " (718)
Max Height (full extension)	41 ¹ / ₂ " (1054)
Overall Depth	21 ⁵ / ₈ " (549)
Shipping Weight	92 lbs (42 kg)

Dimensions may vary to +¹/₈" (3).



Model CTEIH42I Island Hood

**ELECTRICAL** REQUIREMENTS

You must follow all National Electrical Code regulations. In addition, be aware of local codes and ordinances when installing your service.

Wolf cooktop low-profile hoods require a separate, grounded 110/120 V AC, 60 Hz power supply. The service should have its own 15 amp circuit breaker.

For wall hoods, locate the electrical supply through the wall and inside the area of the flue, above the mounting bracket and right of center. For the island hood, locate the electrical supply through the ceiling and inside the area of the flue.

IMPORTANT NOTE

You must follow all National Electrical Code regulations. In addition, be aware of local codes and ordinances when installing your service.

INSTALLATION OPTIONS

Wolf cooktop low-profile hoods may be used in a ducted or recirculating installation. For greatest efficiency, the ducted installation is recommended.

IMPORTANT NOTE: Models with a remote blower may not be used in a recirculating installation.

DUCTED INSTALLATION

In a ducted installation, the hood aspirates the kitchen air saturated with fumes and odors, passes it through the grease filter(s) and expels it to the outside through ductwork.

For this installation, a hood with an internal, in-line or remote blower can be used. In-line blowers are located in ductwork between the hood and the outside. For wall hoods, the remote blower can be mounted on the roof or an exterior wall. Wolf in-line and remote blower assemblies are available through your Wolf dealer.

IMPORTANT NOTE: Blower options vary with the cooking surface. Use only a Wolf blower with the cooktop low-profile hood.

RECIRCULATING INSTALLATION

In a recirculating installation, the hood aspirates the kitchen air saturated with fumes and odors, purifies it through the grease filter(s) and charcoal filter and returns clean air into the room. For constant efficiency, the charcoal filter must be replaced periodically. For this installation, a recirculation kit available through your Wolf dealer will be required.



DUCTED INSTALLATION

WALL AND ISLAND HOODS

⚠ WARNING

To reduce the risk of fire, use only metal ductwork.

IMPORTANT NOTE: Consult a qualified HVAC Engineer for specific ducting applications.

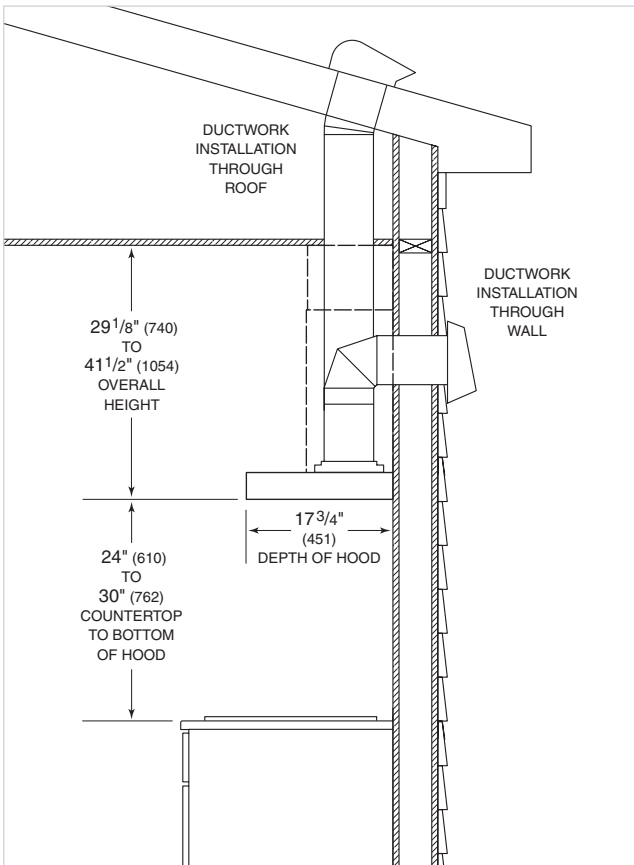
Decide where the ductwork will run between the hood and the outside. A straight, short duct run will allow the hood to perform more efficiently. Limit the number of elbows and transitions to as few as possible. Long duct runs, elbows and transitions will reduce the performance of the hood. Wolf recommends the maximum linear duct run be no greater than 50' (15 m).

IMPORTANT NOTE: There is a possibility of noise issues, when using a remote blower with a short duct run.

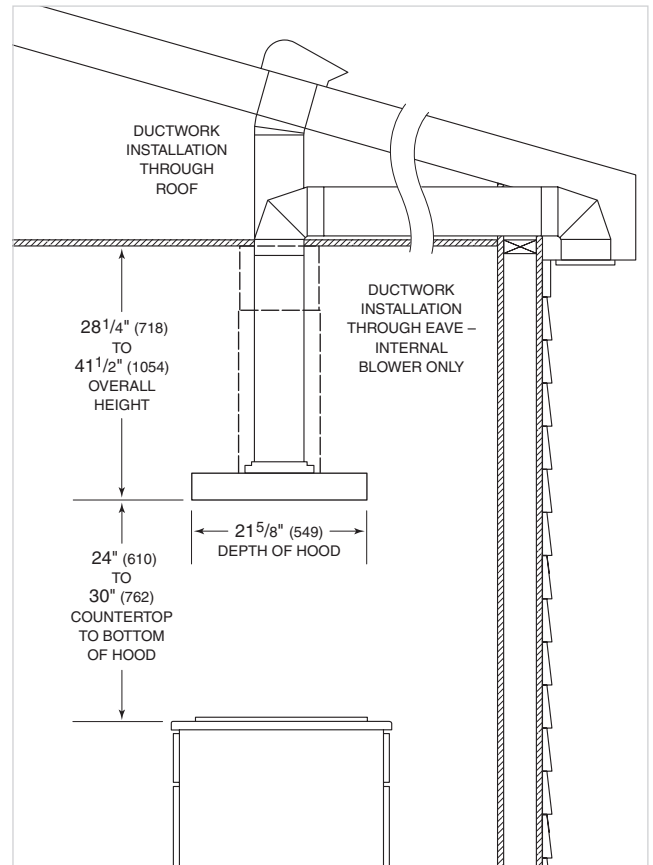
Wolf recommends installing a backdraft damper in all installations. A backdraft damper is included with the hood. It is built into the transition from the hood to the duct run.

Unless you are using a remote blower, a roof or wall cap should be installed. Connect ductwork to the cap and work back towards the hood. Use duct tape to seal the ductwork joints.

Local building codes may require the use of make-up air. Consult your local HVAC professional for specific requirements in your area.



Wall hood ducting options



Island hood ducting options

Dimensions in parentheses are in millimeters unless otherwise specified.



WALL HOODS – DUCTED

IMPORTANT NOTE: This installation must be completed by a qualified installer or Wolf authorized service center technician.

Locate the electrical supply through the wall within the shaded area shown in illus 1.

Install ductwork as outlined on page 7.

If an optional backsplash is to be used, attach it to the finished wall. Secure the hood mounting brackets to the wall studs prior to installing the backsplash.

FIXING TO THE WALL

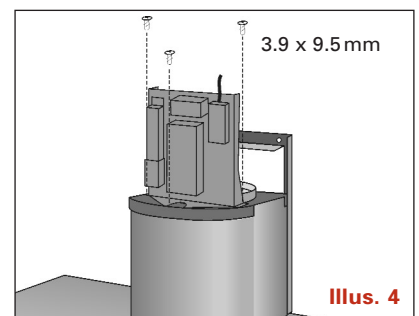
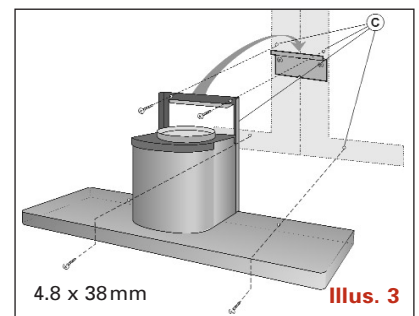
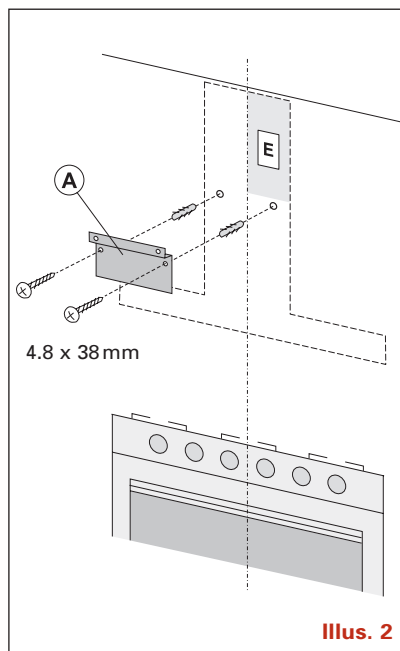
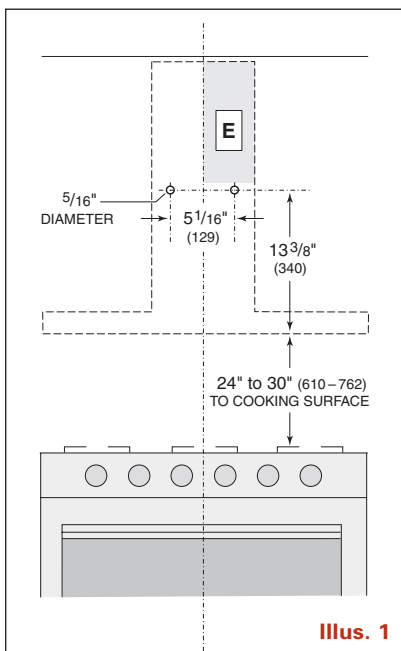
Draw a line on the wall in vertical line with your hood. Mark the first two holes to be drilled in the wall, respecting the distances indicated in illus 1. Drill the two holes and fit the screw anchors provided.

For best capture of cooking impurities, the bottom of the hood should be a minimum of 24" (610) and a maximum of 30" (762) above the countertop.

Fix the metal bracket (A) to the wall using the two holes just drilled as shown in illus 2. The screws for fixing the bracket are provided. Use the two cut-out triangles on the bracket to position it exactly along the vertical axis of the hood.

Hang the hood on the bracket as shown in illus 3. Adjust the horizontal position moving the hood to the right or left so that it is aligned with the wall units. When adjustment has been completed, without removing the hood, mark the other four holes to be drilled (C) in the wall. Remove the hood and drill the holes marked (5/16" diameter). Then use the four screw anchors and the four screws provided for final fixing.

Mount the plate of the electrical system fixing it with three screws as shown in illus 4.





WALL HOODS – DUCTED

FIXING THE TELESCOPIC FLUE

Adjust the width of the support bracket (D) of the telescopic flue by means of the screws (E) as shown in illus 5. Then, by means of the screw anchors and screws (F) provided, fix the bracket to the ceiling in such a way that it is positioned along the axis with your hood.

Connect the air outlet pipe to the air vent of the hood. Use a flexible pipe and lock it to the air vent of the hood with a metal hose clamp as shown in illus 6 (pipe and clamp are not provided).

For exhaust hoods, turn the upper flue over so that the air exhaust grid is in the lower section.

WIRING

IMPORTANT NOTE: The ventilation hood must be properly grounded. It should be installed by a qualified electrician in accordance with all applicable national and local electrical codes.

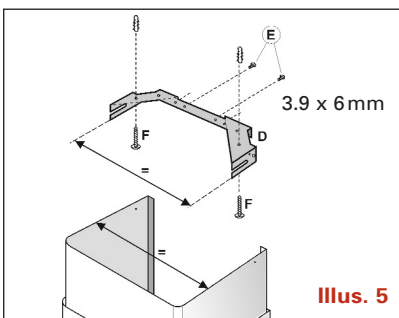
Power connection at hood:

- 1) Run supply conductors to the hood wiring box marked "120 V AC input".
- 2) Remove the cover from the wiring box and remove one knockout as shown in illus 7.
- 3) Secure the conduit to the wiring box through a conduit connector.
- 4) Make electrical connections at the hood. Connect white-to-white, black-to-black and green-to-ground.
- 5) Replace the wiring box cover and screws. Make sure wires are not pinched between the cover and box.

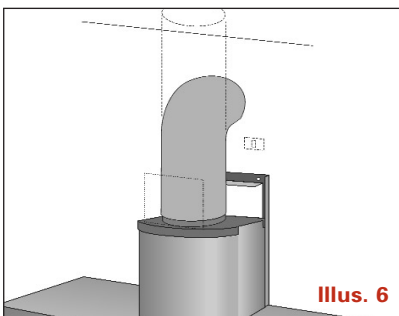
IMPORTANT NOTE

You must follow all National Electrical Code regulations. In addition, be aware of local codes and ordinances when installing your service.

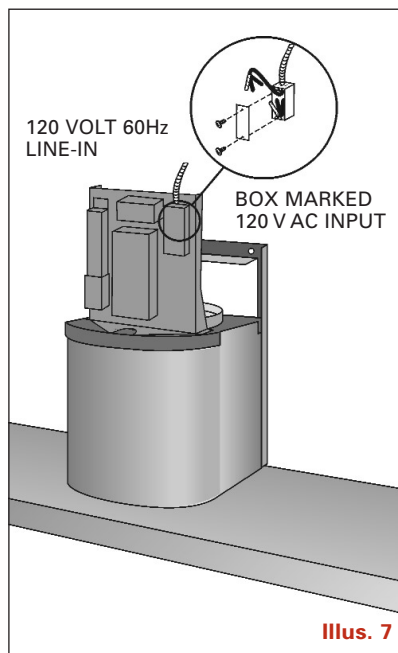
Insert the flue extensions setting them on the hood. Extend the upper flue to the ceiling and secure with the two screws (H) as shown in illus 8.



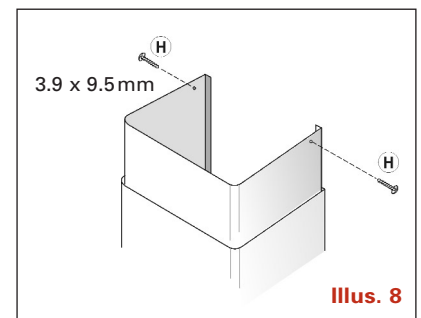
Illus. 5



Illus. 6



Illus. 7



Illus. 8

Dimensions in parentheses are in millimeters unless otherwise specified.

WALL HOODS – DUCTED

IN-LINE OR REMOTE BLOWER

Follow the installation steps for wall hoods on pages 8–9. Additional wiring connections must be made for the in-line or remote blower. Installation instructions will be provided with the remote blower.

WIRING

IMPORTANT NOTE: The ventilation hood must be properly grounded. It should be installed by a qualified electrician in accordance with all applicable national and local electrical codes.

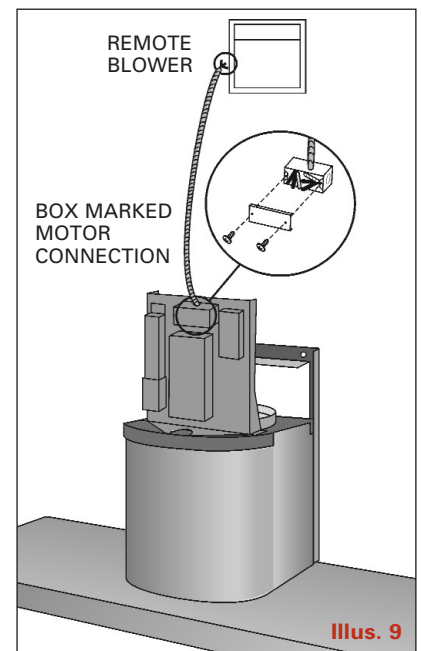
Complete the wiring procedure for the power connection at the hood on the previous page, then make the following connections.

Blower connection at hood:

- 1) Run conductors (2-wire plus ground) from the in-line or remote blower to the hood's wiring box marked "motor connection".
- 2) Remove the cover from the wiring box and remove one knockout as shown in illus 9.
- 3) Secure the conduit to the wiring box through a conduit connector.
- 4) Make electrical connections at the hood. Connect white-to-white, red-to-black and green-to-ground.
- 5) Replace the wiring box cover and screws. make sure wires are not pinched between the cover and box.

In-line or remote blower connection:

- 1) Make electrical connections at the in-line or remote blower. Refer to instructions provided with the in-line or remote blower.



WALL HOODS – RECIRCULATING

IMPORTANT NOTE: The recirculation kit must be purchased separately for recirculating installations.

IMPORTANT NOTE: This installation must be completed by a qualified installer or Wolf authorized service center technician.

Locate the electrical supply through the wall and inside the area of the flue, above the mounting bracket and right of center.

FITTING THE CHARCOAL FILTER

First remove the grease filter. To access the filter, gently press up on the front edge and allow the panel to rotate downward as shown in illus 10. Push the handle outward and pull the grease filter downward to remove. Then fit the charcoal filter by inserting the two filter clips in the slots and turning the filter towards the inside of the hood. Refer to illus 11. Reinstall the grease filter.

FIXING TO THE WALL

Follow the same steps for fixing the hood to the wall as outlined on page 8.

FIXING THE TELESCOPIC FLUE

Adjust the width of the support bracket (D) of the telescopic flue by means of the screws (E) as shown in illus 5 on page 9.

Then, by means of the screw anchors and screws (F) provided, fix the bracket to the ceiling in such a way that it is positioned along the axis with your hood.

Mount the flange on the hood in correspondence to the air outlet point as shown in illus 12.

Take the air baffle and fit a flexible pipe (125mm diameter) to it, locking it with a metal hose clamp (pipe and clamps are not provided). Fit the air baffle to the upper flue with four screws as shown in illus 13.

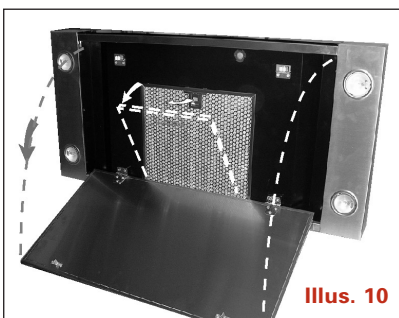
Connect the flexible pipe to the flange on the air vents shown in illus 14.

ACCESSORIES

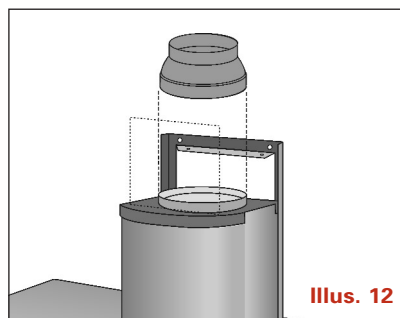
Optional accessories are available through your Wolf dealer. To obtain local dealer information, visit the Showroom Locator section of our website, wolfappliance.com.

WIRING

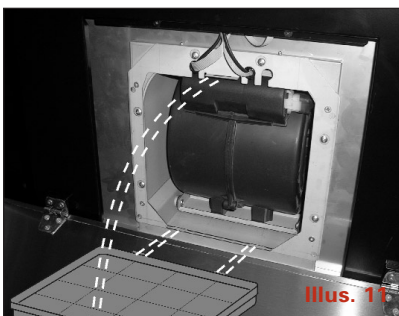
Follow the same wiring connections as outlined on page 9.



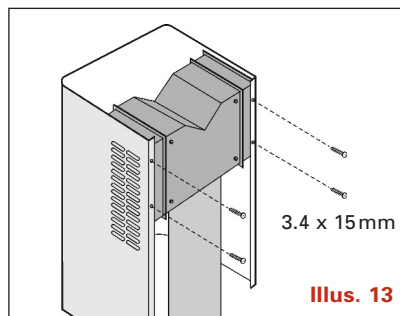
Illus. 10



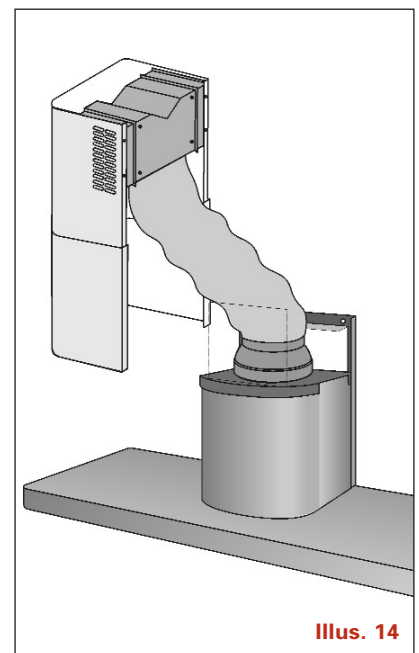
Illus. 12



Illus. 11



Illus. 13



Illus. 14

Dimensions in parentheses are in millimeters unless otherwise specified.



ISLAND HOODS – DUCTED

IMPORTANT NOTE: This installation must be completed by a qualified installer or Wolf authorized service center technician.

Locate the electrical supply through the ceiling inside the area of the flue.

Install ductwork as outlined on page 7.

FIXING TO THE CEILING

Mount the metal panel with four screws as shown in illus 15.

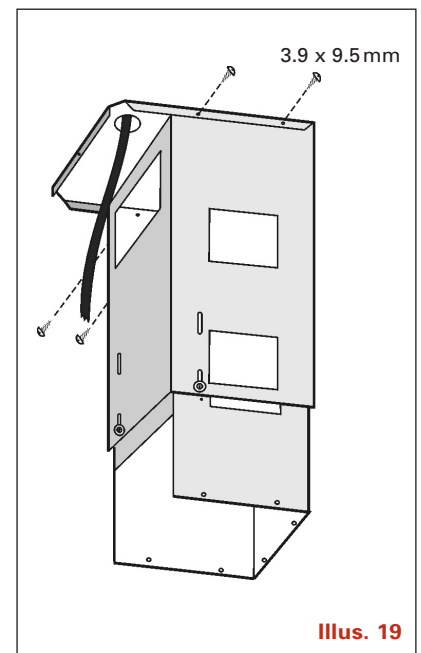
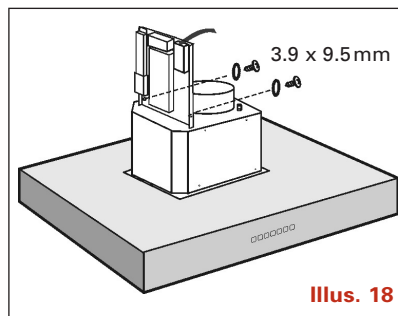
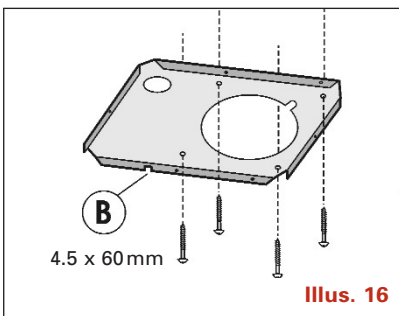
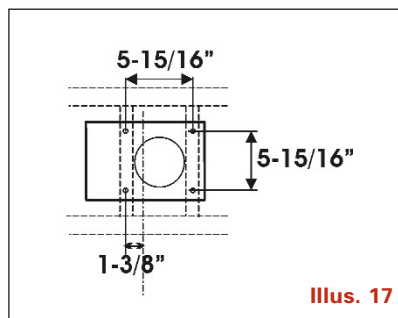
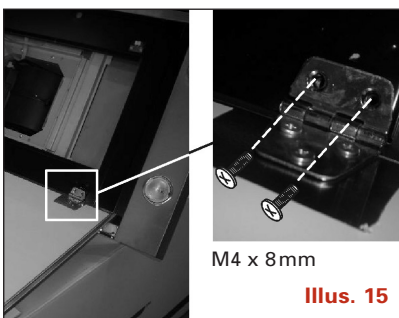
Using the drilling template, drill the holes for fixing to the ceiling on the vertical side of your hood. The center line of the mounting plate (illus 17) is in line with the center of the control panel. Carefully observe this indication to ensure proper alignment of the hood with the cooking product.

Fix the bracket to the ceiling using the screws and screw anchors provided as shown in illus 16 and 17.

Note that the position of the bracket determines the final position of the hood. The side with the slot (B) corresponds to the side opposite the controls.

Assemble the plate of the electrical system fixing it with two screws and two metal washers as shown in illus 18.

Fix the telescopic flue to the bracket by means of four screws (provided), running the air evacuation pipe through the telescopic flue and the electric power cable through the special hole in the bracket as shown in illus 19.





ISLAND HOODS – DUCTED

Adjust the height of the telescopic flue by means of the four retaining screws (C) shown in illus 20. Take into account that the height of the hood is 3¹/₈" (79) and the bottom of the hood should be a minimum of 24" (610) and a maximum of 30" (762) above the countertop.

Take the upper flue (with the round slots) and slide it on the telescopic flue with the slots facing upwards. Attach the flue to the bracket with two screws as shown in illus 21.

Take the lower flue and slide it over the upper flue, to the top and secure it in that position using adhesive tape.

Raise the hood to the telescopic flue and connect the air outlet duct to the hood.

Attach the hood to the telescopic flue by means of four screws (provided) as shown in illus 22.

WIRING

IMPORTANT NOTE: The ventilation hood must be properly grounded. It should be installed by a qualified electrician in accordance with all applicable national and local electrical codes.

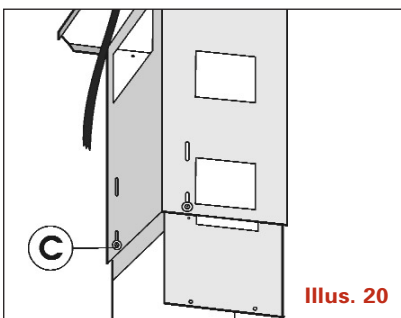
IMPORTANT NOTE

You must follow all National Electrical Code regulations. In addition, be aware of local codes and ordinances when installing your service.

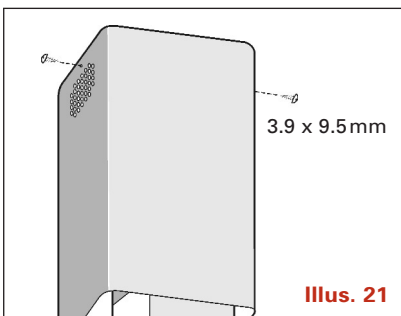
Power connection at hood:

- 1) Run supply conductors to the hood wiring box marked "120 V AC input".
- 2) Remove the cover from the wiring box and remove one knockout as shown in illus 23.
- 3) Secure the conduit to the wiring box through a conduit connector.
- 4) Make electrical connections at the hood. Connect white-to-white, black-to-black and green-to-ground.
- 5) Replace the wiring box cover and screws. Make sure wires are not pinched between the cover and box.

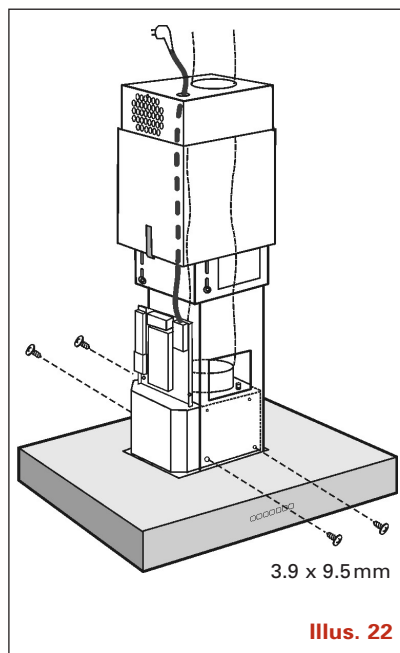
Remove the adhesive tape and slide the lower flue downward, placing it gently onto the hood base. Installation is now complete and the grease filters can be installed.



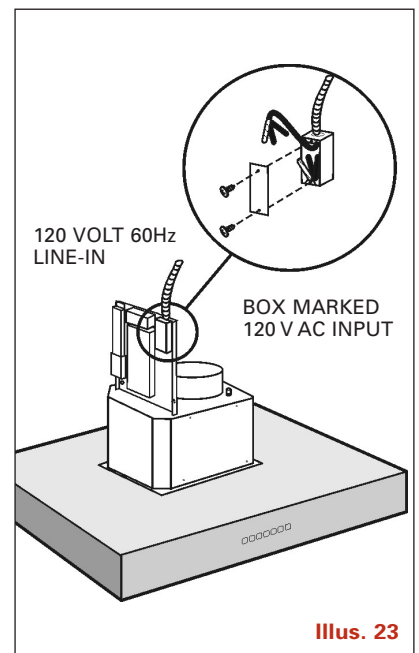
Illus. 20



Illus. 21



Illus. 22



Illus. 23

Dimensions in parentheses are in millimeters unless otherwise specified.

ISLAND HOODS – RECIRCULATING

IMPORTANT NOTE: The recirculation kit must be purchased separately for recirculating installations.

IMPORTANT NOTE: This installation must be completed by a qualified installer or Wolf authorized service center technician.

Locate the electrical supply through the ceiling inside the area of the flue.

FIXING TO THE CEILING

Follow the same steps for attaching the hood to the ceiling as outlined on page 12.

FIXING THE TELESCOPIC FLUE

Insert the air baffle (F) in the structure as shown in illus 24.

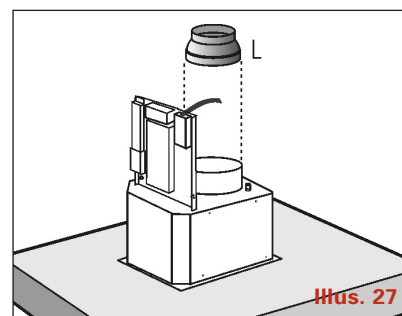
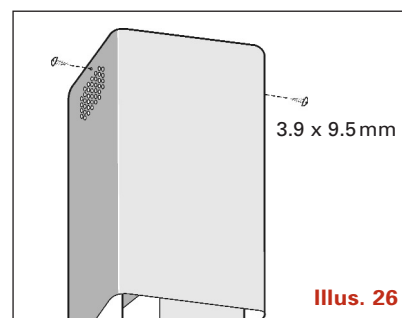
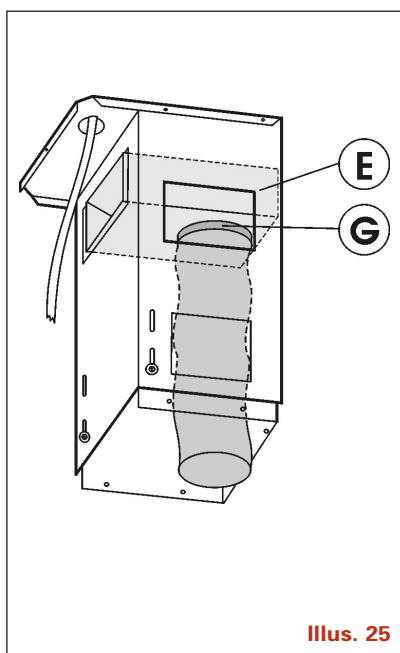
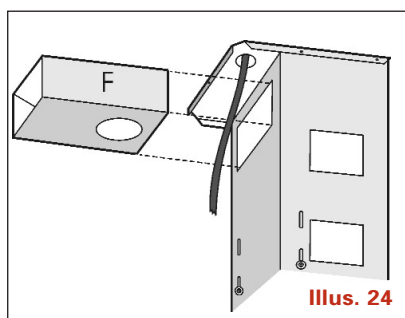
Through the openings (E) shown in illus 25, fit the flange (G) to the baffle (F) locking it with a turning movement.

Fix a flexible pipe to the flange (G) for air evacuation as shown in illus 25.

Take the upper flue (with the round slots) and slide it on the telescopic flue with the slots facing upwards; attach the flue to the bracket with two screws as shown in illus 26.

Take the lower flue and slide it over the upper flue, to the top and secure it in that position using adhesive tape.

Take the reduction (L) as shown in illus 27 and assemble it onto the air venting opening of the hood, pressing slightly.





ISLAND HOODS – RECIRCULATING

Raise the hood to the telescopic flue and connect the air outlet duct to the reduction. Attach the hood to the telescopic flue by means of four screws (provided) as shown in illus 28.

FITTING THE CHARCOAL FILTER

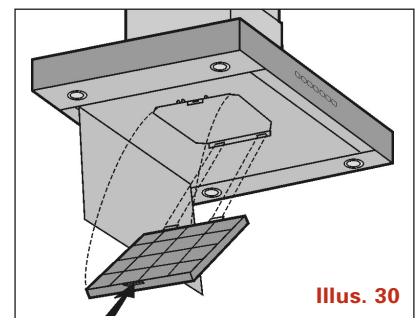
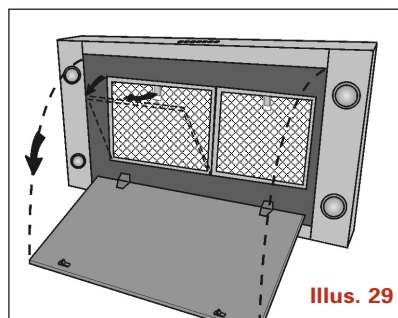
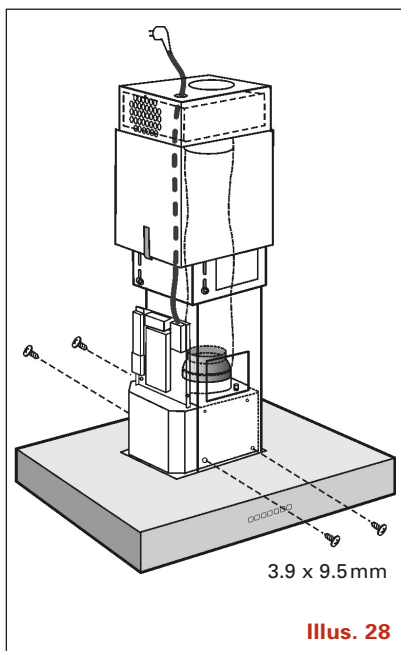
First remove the grease filters. To access the filters, gently press up on the front edge and allow the panel to rotate downward as shown in illus 29. Push the handle outward and pull the grease filter downward to remove. Then fit the charcoal filter by inserting the two filter clips in the slots and turning the filter towards the inside of the hood. Refer to illus 30. Reinstall the grease filters.

WIRING

Follow the same wiring connections as outlined on page 13.

ACCESSORIES

Optional accessories are available through your Wolf dealer. To obtain local dealer information, visit the Showroom Locator section of our website, wolfappliance.com.



Dimensions in parentheses are in millimeters unless otherwise specified.



IN-LINE AND REMOTE BLOWERS

IMPORTANT NOTE: For mounting and installation of an in-line or remote blower, refer to the specific installation instructions provided with each blower.

Locate the in-line or remote blower so that the length of the duct run and number of elbows and transitions are kept to a minimum. Wolf recommends the maximum linear duct run be no greater than 50' (15 m).

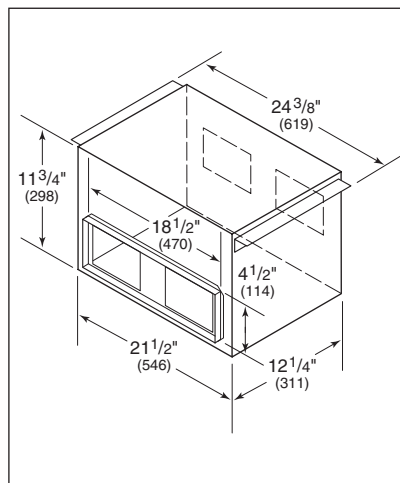
Be sure that there is enough space for any transitions that may be needed between the blower and the connecting ductwork. For best performance, locate transitions nearest the blower.

Refer to the illustrations below for overall dimensions of Wolf in-line blowers.

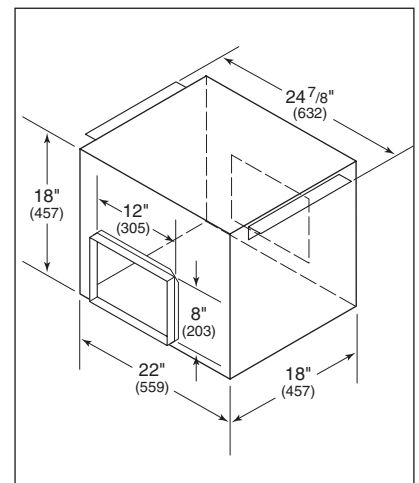
⚠ CAUTION

To reduce the risk of fire and electric shock, install this ventilation hood only with Wolf in-line blowers 808331 or 808332, or Wolf remote blowers 801640, 801641, 801642 or 804701.

The blower must be UL listed for Canadian and U.S. use, and evaluated for use with solid state speed control, rated 120 V, 60 Hz, 6.0 A max.



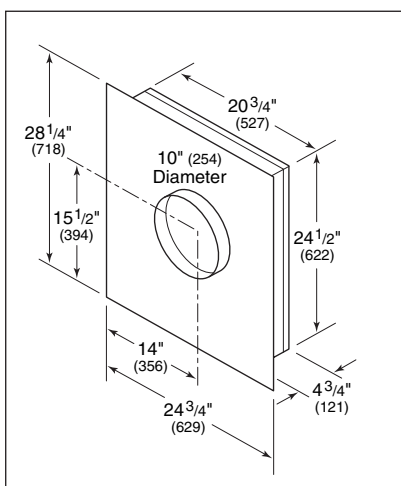
In-line blower 600 CFM (808331)



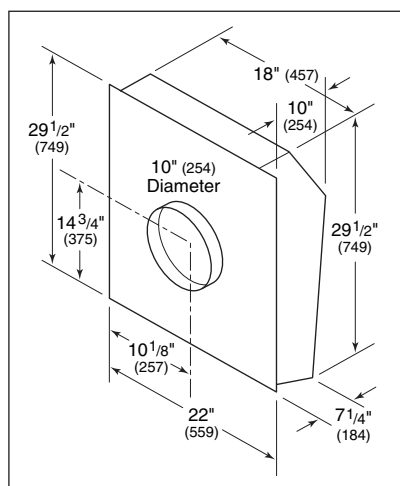
In-line blower 1100 CFM (808332)

IN-LINE AND **REMOTE** BLOWERS

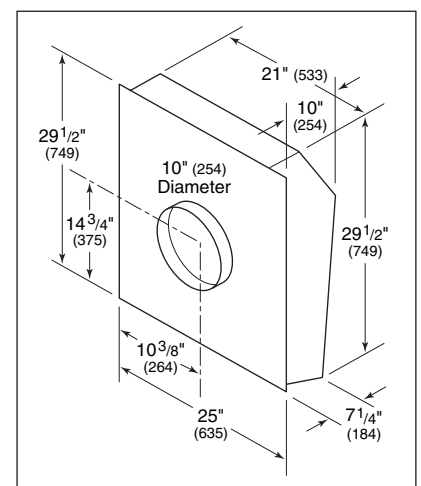
Refer to the illustrations below for overall dimensions of Wolf remote blowers.



Remote blowers 600 CFM (801640) and 900 CFM (801641)



Remote blower 1200 CFM (801642)



Remote blower 1500 CFM (804701)

Dimensions in parentheses are in millimeters unless otherwise specified.



IN-LINE AND REMOTE BLOWERS

BLOWER WIRING

- 1) Remove the cover from the front of the electrical box. Remove the electrical box knockout that faces the hood's discharge collar.
- 2) Disconnect the red and black or white wires using a flat-blade screwdriver. Refer to illustration A below.
- 3) Insert 6" (152) of the blower wiring through the knockout opening. Secure the cable to the electrical box with an appropriate connector. Use wire connectors or wire nuts approved by UL or C/UL.
- 4) Attach the blower wiring where the wires were removed in step 2. Refer to illustration B below.

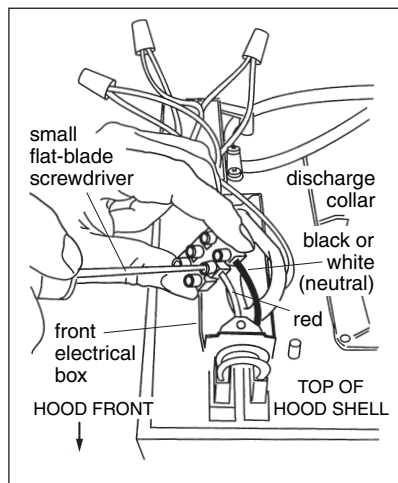
IMPORTANT NOTE: Before turning the power on to the ventilation hood, make sure the blower is in the OFF position.

IMPORTANT NOTE

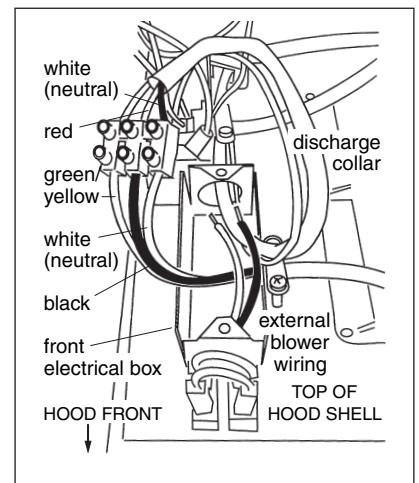
You must follow all National Electrical Code regulations. In addition, be aware of local codes and ordinances when installing your service.

IMPORTANT NOTE: Note location of wire colors.

- 5) Reinstall the electrical box cover and screws. Make sure that all wires are secure and that no wires are pinched between the cover and box.



Remote blower wiring A



Remote blower wiring B



TROUBLESHOOTING

IMPORTANT NOTE: If the cooktop low-profile hood does not operate properly, follow these troubleshooting steps:

- Verify that power is being supplied to the ventilation hood.
- Check electrical connections to ensure that the installation has been completed correctly.
- Refer to the Troubleshooting Guide in the Wolf Cooktop Low-Profile Hoods Use & Care Information.
- If the ventilation hood still does not work, contact a Wolf authorized service center. Do not attempt to repair the ventilation hood yourself. Wolf is not responsible for service required to correct a faulty installation.

IF YOU NEED SERVICE

- Maintain the quality built into your cooktop low-profile hood by calling a Wolf authorized service center.
- For the name and number of the Wolf authorized service center nearest you, check the Showroom Locator section of our website, **wolfappliance.com**, or call Wolf Customer Service at **800-332-9513**.
- When calling for service, you will need the model and serial number of your ventilation hood. This information is found on the product rating plate located on the underside of the hood, above the grease filter(s). The filter(s) must be removed to access the rating plate. Refer to the illustration on page 3.

CONTACT INFORMATION

**Wolf Customer Service:
800-332-9513**

**Website:
wolfappliance.com**

The information and images in this book are the copyright property of Wolf Appliance, Inc., an affiliate of Sub-Zero, Inc. Neither this book nor any information or images contained herein may be copied or used in whole or in part without the express written permission of Wolf Appliance, Inc., an affiliate of Sub-Zero, Inc.

©Wolf Appliance, Inc. all rights reserved.



WOLF APPLIANCE, INC. P. O. BOX 44848 MADISON, WI 53744 800-332-9513 WOLFAPPLIANCE.COM

WOLF[®]

812508 / 04308006 5/2008



812508\$RevA