

This Owner's Manual is provided and hosted by [Appliance Factory Parts](#).



# GE JVM1542WF-0 Owner's Manual

[Shop genuine replacement parts for GE JVM1542WF-0](#)



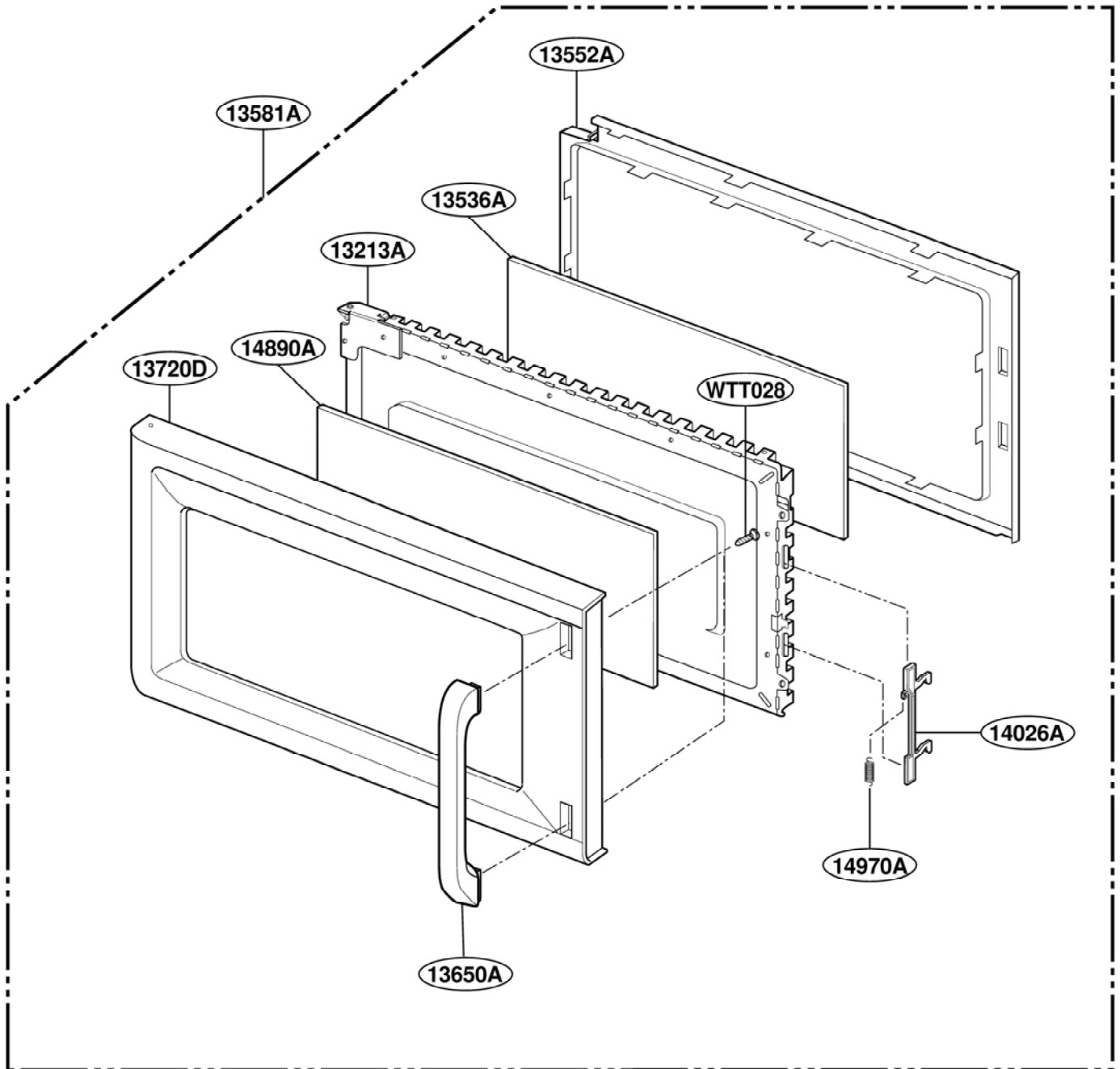
[Find Your GE Microwave Parts - Select From 3055 Models](#)

----- Manual continues below -----

# EXPLODED VIEW

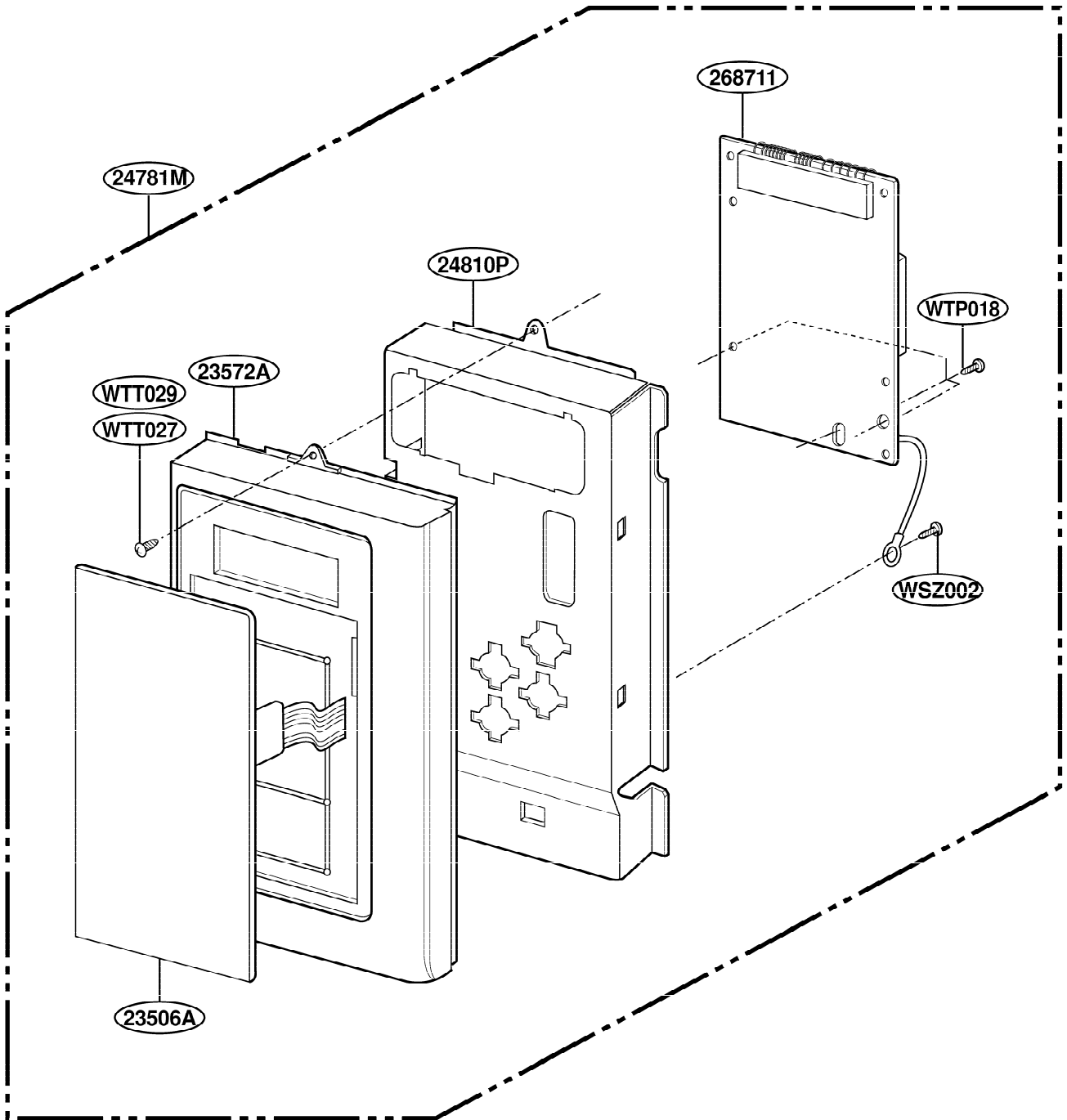
MODEL : JVM1542BF/WF

## DOOR PARTS

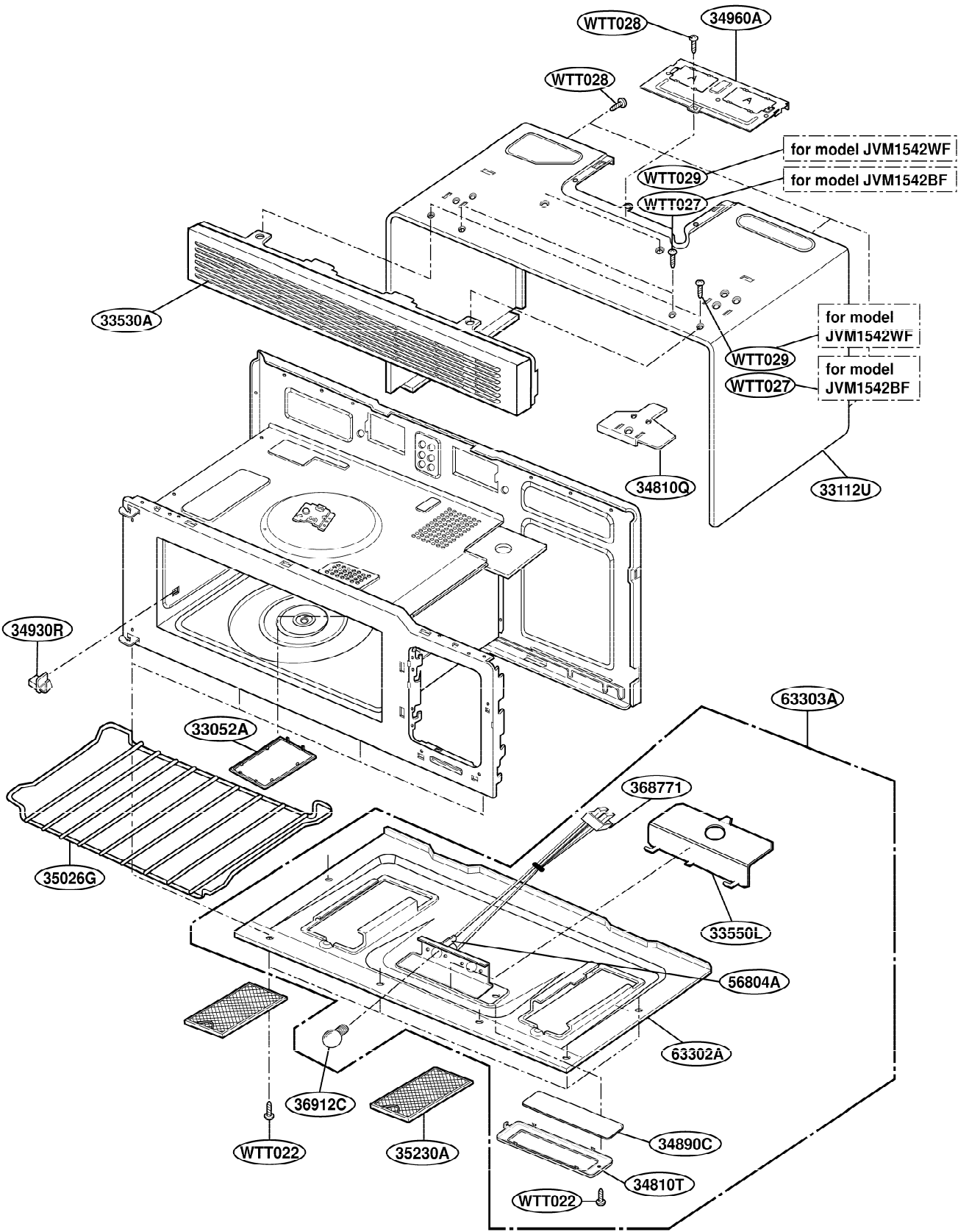


P/NO: 3828W5S3364

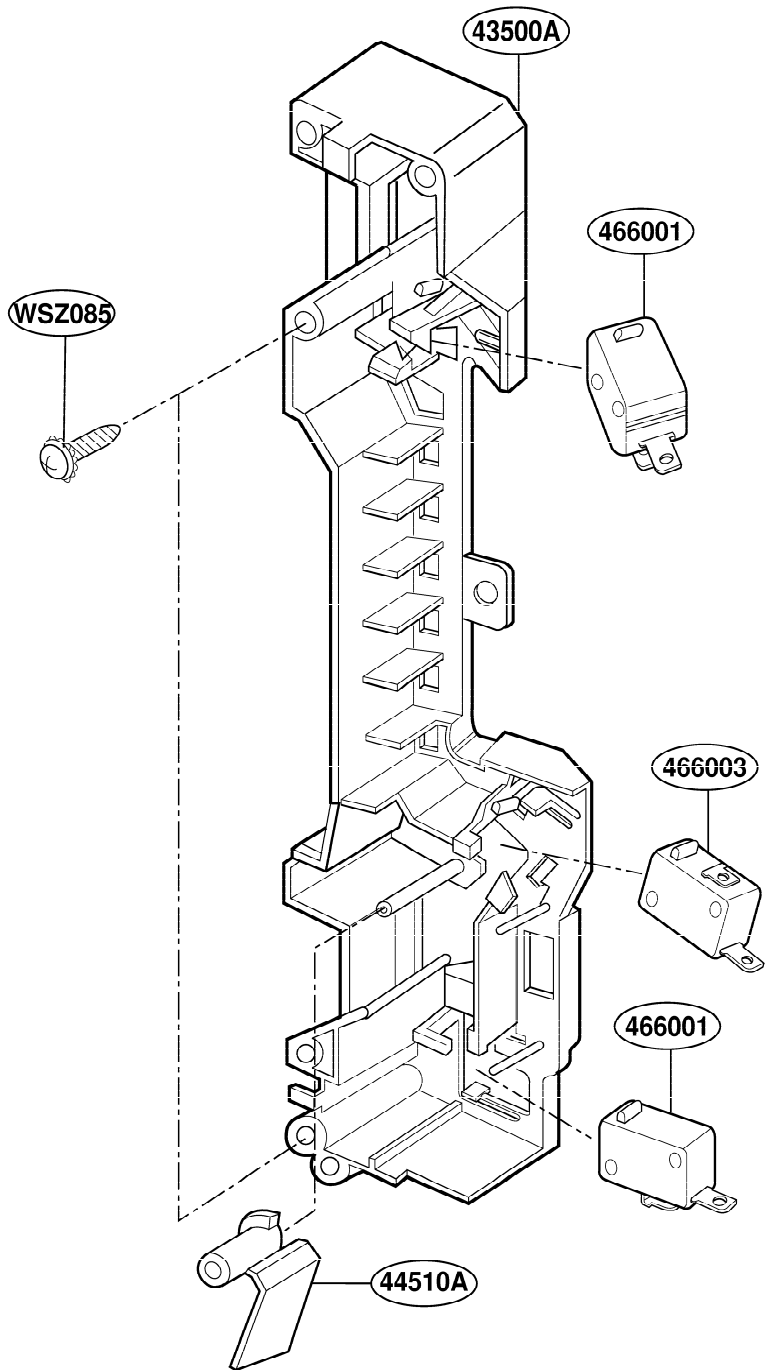
# CONTROLLER PARTS



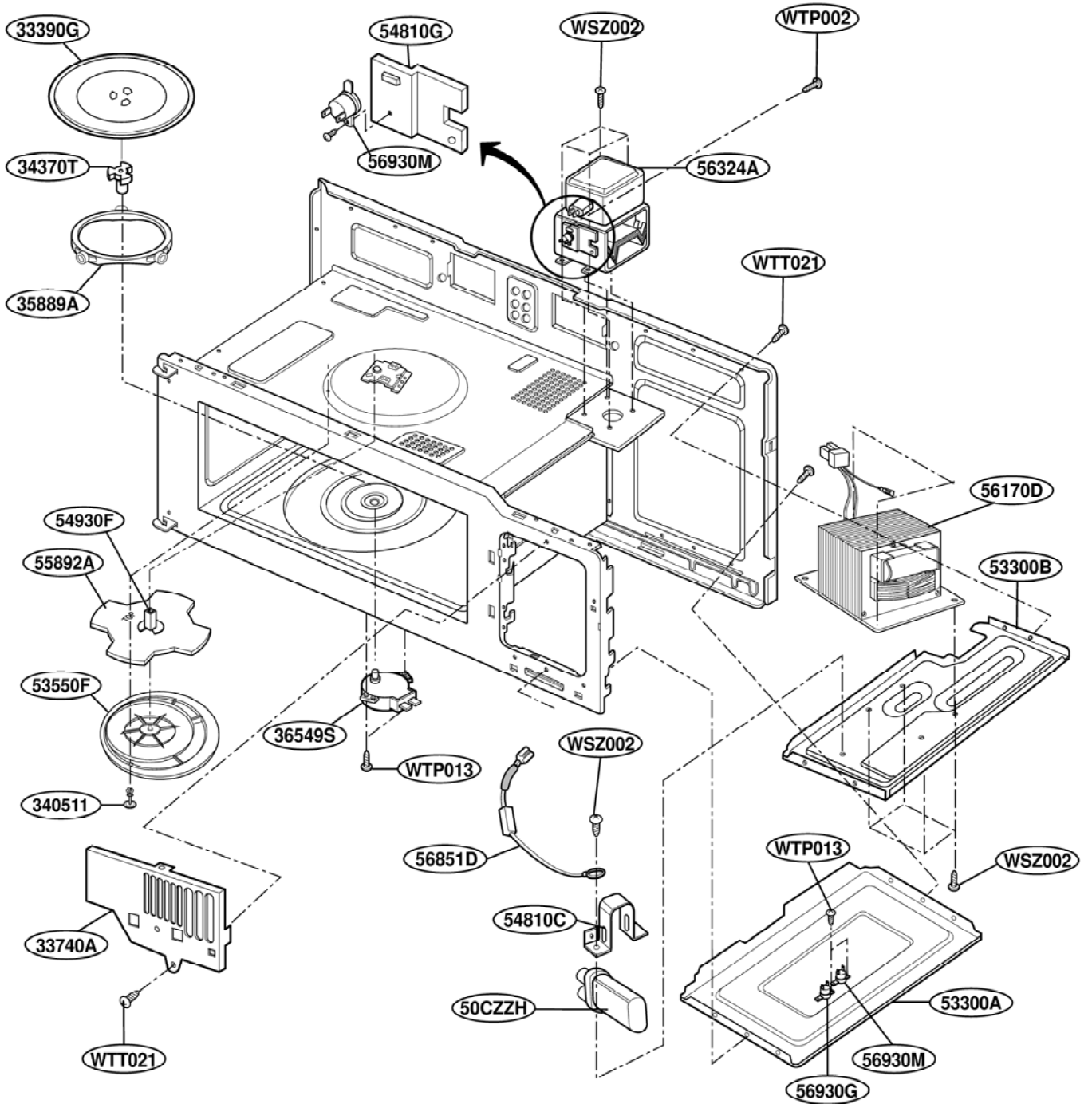
# OVEN CAVITY PARTS



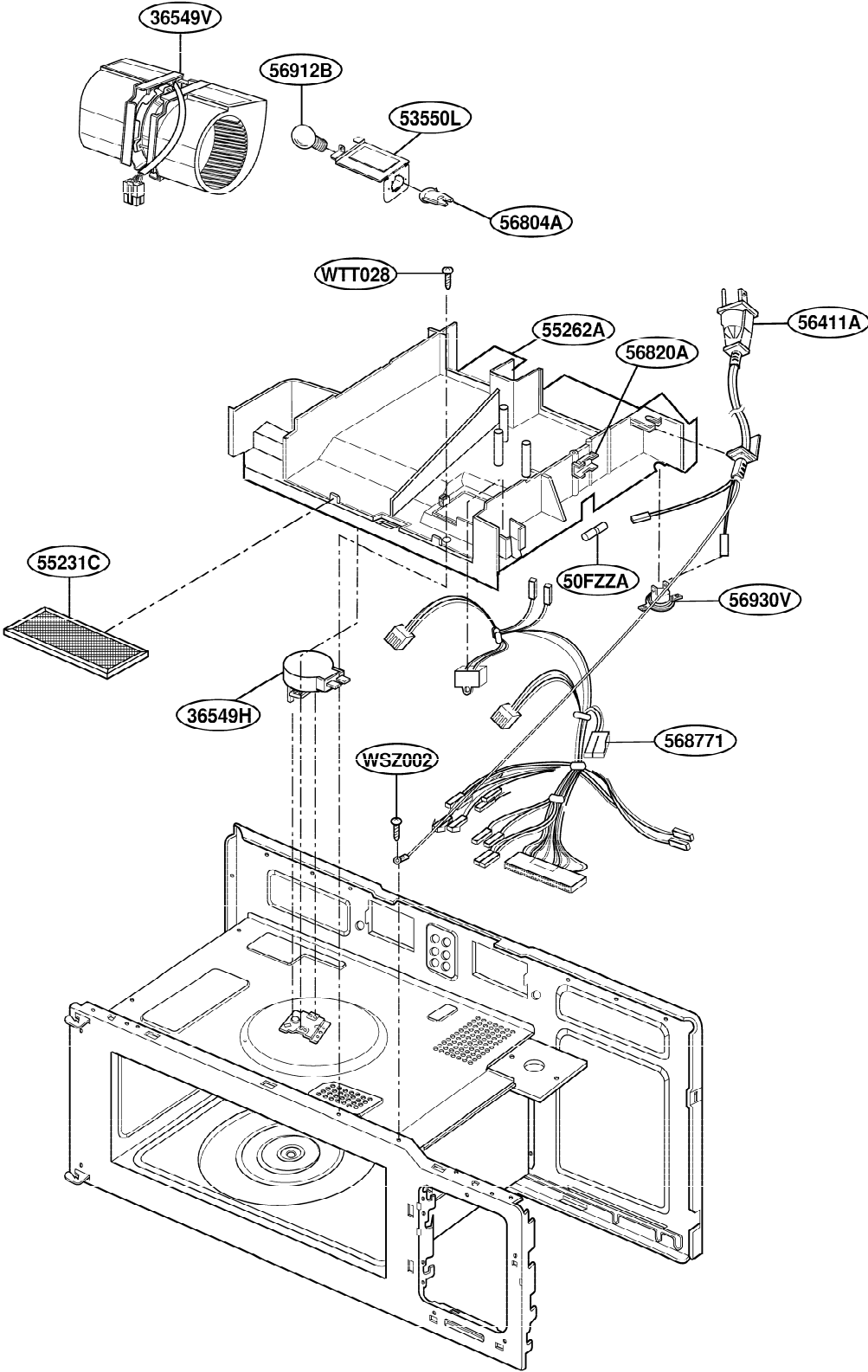
# LATCH BOARD PARTS



# INTERIOR PARTS(I)



# INTERIOR PARTS(II)



# INSTALLATION PARTS

