



Internal Use Only

Website: <http://biz.lgservice.com>

# MICROWAVE OVEN SERVICE MANUAL

**MODEL: LMHM2017SW  
LMHM2017SB  
LMHM2017ST**

## **CAUTION**

BEFORE SERVICING THE UNIT, READ THE  
SAFETY PRECAUTIONS IN THIS MANUAL.

P/NO : MFL06272512

February, 2010  
Printed in China

# **CAUTION**

## **WARNING TO SERVICE TECHNICIANS**

### **PRECAUTIONS TO BE OBSERVED BEFORE AND DURING SERVICING TO AVOID POSSIBLE EXPOSURE TO EXCESSIVE MICROWAVE ENERGY**

- a. Do not operate or allow the oven to be operated with the door open.**
- b. Make the following safety checks on all ovens to be serviced before activating the magnetron or other microwave source, and make repairs as necessary; (1) Interlock operation, (2) proper door closing, (3) seal and sealing surfaces (arcing, wear, and other damage), (4) damage to or loosening of hinges and latches, (5) evidence of dropping or abuse.**
- c. Before turning on microwave power for any service test or inspection within the microwave generating compartments, check the magnetron, wave guide or transmission line, and cavity for proper alignment, integrity, and connections.**
- d. Any defective or misadjusted components in the interlock, monitor, door seal, and microwave generation and transmission systems shall be repaired, replaced, or adjusted by procedures described in this manual before the oven is released to the owner.**
- e. A Microwave leakage check to verify compliance with the Federal performance standard should be performed on each oven prior to release to the owner.**
  - Proper operation of the microwave ovens requires that the magnetron be assembled to the wave guide and cavity. Never operate the magnetron unless it is properly installed.
  - Be sure that the magnetron gasket is properly installed around the dome of the tube whenever installing the magnetron.
  - Routine service safety procedures should be exercised at all times.
  - Untrained personnel should not attempt service without a thorough review of the test procedures and safety information contained in this manual.

# FOREWORD

Read this Manual carefully. Failure to adhere to or observe the information in this Manual may result in exposing yourself to the Microwave Energy normally contained within the oven cavity.

# CONTENTS

(Page)

<b>Safety Precautions</b> .....	<b>2</b>
<b>1. Specification</b> .....	<b>4</b>
<b>2. Cautions</b> .....	<b>5</b>
<b>3. Installation</b> .....	<b>6</b>
<b>4. Operation</b> .....	<b>7</b>
4-1. Control Panel Features .....	7
4-2. Explanation of Control Panel.....	8
<b>5. Wiring Diagram / Key Matrix</b> .....	<b>9</b>
5-1. Wiring Diagram .....	9
5-2. Key Matrix .....	10
<b>6. Troubleshooting</b> .....	<b>11</b>
6-1. General Information for Service .....	11
6-2. Safety Caution.....	12
6-3. Basic Check Summary.....	13
6-4. Troubleshooting .....	14
<b>7. Microwave Leakage Test</b> .....	<b>25</b>
<b>8. Power Output Measurement</b> .....	<b>27</b>
<b>9. Interlock System</b> .....	<b>28</b>
9-1. Interlock Mechanism .....	28
9-2. Interlock Continuity Test.....	30
<b>10. Component Testing Information</b> .....	<b>31</b>
<b>11. Disassembly Instructions</b> .....	<b>35</b>
<b>12. Exploded View</b> .....	<b>43</b>

# 1. SPECIFICATIONS

Rated Power Consumption .....	1815W maximum (Microwave oven+Cook top lamps+Ventilation fan)
Microwave Output .....	1100W (IEC60705)
Frequency .....	2450 MHz $\pm$ 50 MHz
Power Supply .....	120 VAC, 60 Hz
Rated Current .....	14 Amp. (Microwave oven+Cook top lamps+Ventilation fan)
Magnetron Cooling .....	Forced Air Cooling
Rectification .....	Rectification Voltage Double Half-Wave
Door Sealing .....	Choke System
Safety Devices .....	Magnetron Thermostat: Open at 150 °C $\pm$ 5 °C Close at 0 °C $\pm$ 5 °C Oven Thermostat: Open at 145 °C $\pm$ 5 °C Close at 0 °C $\pm$ 5 °C Heater Thermostat: Open at 145 °C $\pm$ 5 °C Close at 0 °C $\pm$ 5 °C Fuse (20A) Primary Interlock Switch Secondary Interlock Switch Interlock Monitor Switch
Heater .....	120 V, 400W (Sheath)
Magnetron .....	2M246 (LG)
Cook top Lamp .....	125V, 30W (Incandescent)
Warming Lamp .....	125V, 30W
Timer .....	Digital, up to 99 min.(in each cooking stage)
Tray .....	Tempered Safety Glass
Overall Dimensions .....	29 <sup>14</sup> / <sub>16</sub> " (W) x 17 <sup>12</sup> / <sub>16</sub> " (H) x 15 <sup>14</sup> / <sub>16</sub> " (D)
Oven Cavity Size .....	21 <sup>6</sup> / <sub>8</sub> " (W) x 10 <sup>5</sup> / <sub>8</sub> "(H) x 14 <sup>5</sup> / <sub>8</sub> " (D)
Effective Capacity of Oven Cavity .....	2.0 Cu.ft.
Accessories .....	Owner 's Manual &Cooking Guide, Installation Manual, Exhaust Adapter, Exhaust Damper, Mounting Kit and Filter, Rotating Ring Assembly, Glass Tray, Metal Rack, Defrost Plate.

## SWITCH CHART

SWITCH MODE	PRIMARY INTERLOCK SWITCH	SECONDARY INTERLOCK SWITCH	INTERLOCK MONITOR SWITCH
CONDITIONS	COM NO	COM NO	COM NC
DOOR OPEN	OPEN	OPEN	CLOSE
DOOR CLOSED	CLOSE	CLOSE	OPEN

**NOTE:** Use the above switch chart with circuit diagram on page 9.

## 2. CAUTIONS

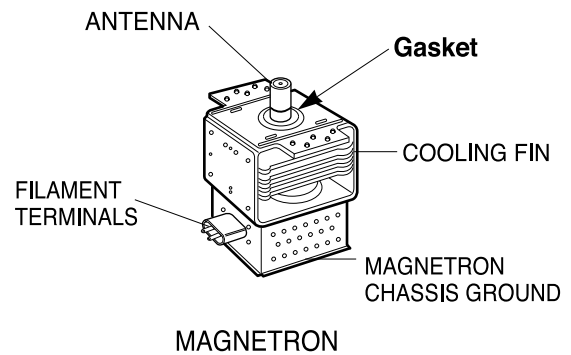
Unlike other appliances, the microwave oven is high-voltage and high-current equipment. Though it is free from danger in ordinary use, extreme care should be taken during repair.

- DO NOT operate on a 2-wire extension cord during repair and use.
- NEVER TOUCH any oven components or wiring during operation.
- BEFORE TOUCHING any parts of the oven, always remove the power plug from the outlet.
- Remove your watches whenever working close to or replacing the magnetron.
- DO NOT touch any parts of the control panel circuit. A resulting static electric discharge may damage this P.C.B.
- NEVER operate the oven with no load.
- NEVER injure the door seal and front plate of the oven cavity.
- NEVER put iron tools on the magnetron.
- NEVER put anything into the latch hole and the interlock switches area.

### MICROWAVE RADIATION

Personnel should not be exposed to the microwave energy which may radiate from the magnetron or other microwave generating device if it is improperly used or connection. All input and output microwave connections, waveguide, flange, and gasket must be secure never operate the device without a microwave energy absorbing load attached. Never look into an open waveguide or antenna while the device is energized.

- Proper operation of the microwave oven requires that the magnetron be assembled to the waveguide and cavity. Never operate the magnetron unless it is properly installed.
- **Be sure that the magnetron gasket is properly installed around the dome of the tube whenever installing the magnetron.**



**THE OVEN IS TO BE SERVICED ONLY BY PROPERLY QUALIFIED SERVICE PERSONNEL.**

# 3. INSTALLATION

---

**BEFORE YOU BEGIN, READ THE FOLLOWING INSTRUCTIONS COMPLETELY AND CAREFULLY.**

### **PRECAUTIONS ON INSTALLATION**

- A. Plug the power supply cord into a 120V AC, 60Hz, single-phase power source with a capacity of at least 20 amperes.
- B. Avoid placing the unit in a location where there is direct heat or splashing water.
- C. Install the unit on the mounting plate firmly.
- D. Place the unit as far away as possible from TV, radio, etc. to prevent interference.

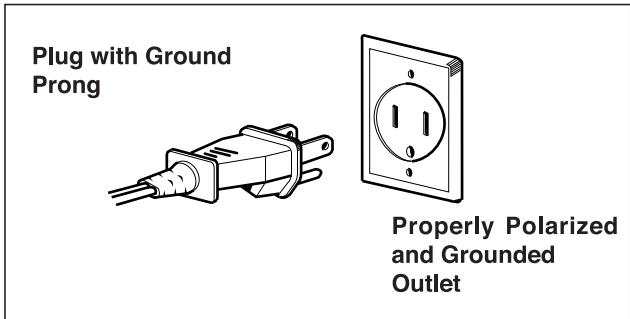
### **GROUNDING INSTRUCTIONS**

For personal safety, this appliance must be fully grounded at all times.

In the event of an electrical short circuit, grounding reduces the risk of electrical shock.

The plug must be plugged into an outlet that is properly installed and grounded.

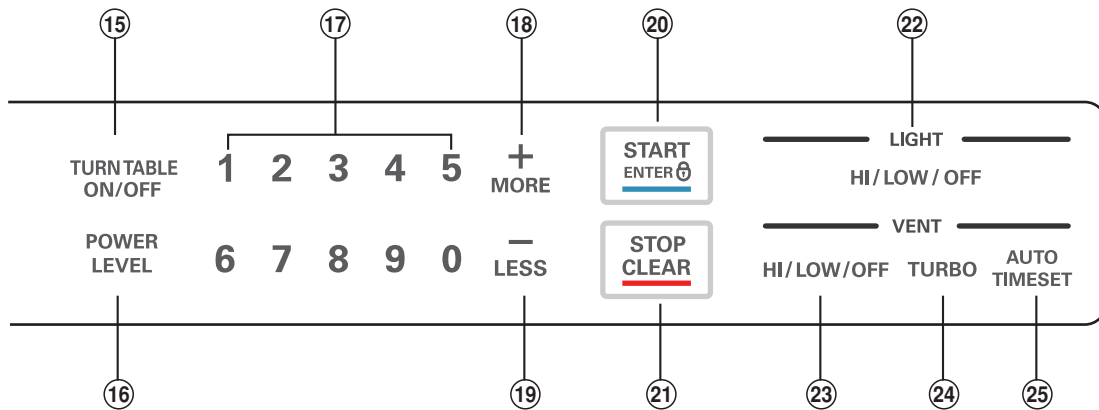
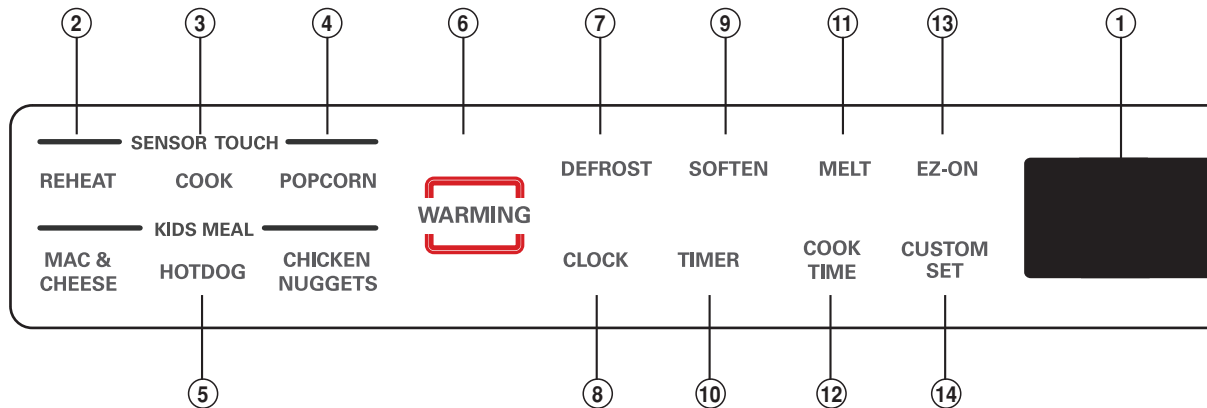
**CAUTION**  
This unit is equipped with a 3-prong plug for your safety. If the wall outlet is a grounded 3-hole type, the unit will be grounded automatically.



**WARNING**  
Improper use of the grounding plug can result in a risk of electric shock. Do not, under any circumstances, cut or remove the third ground prong from the power cord plug.

# 4. OPERATION

## 4-1. Control Panel Features



---

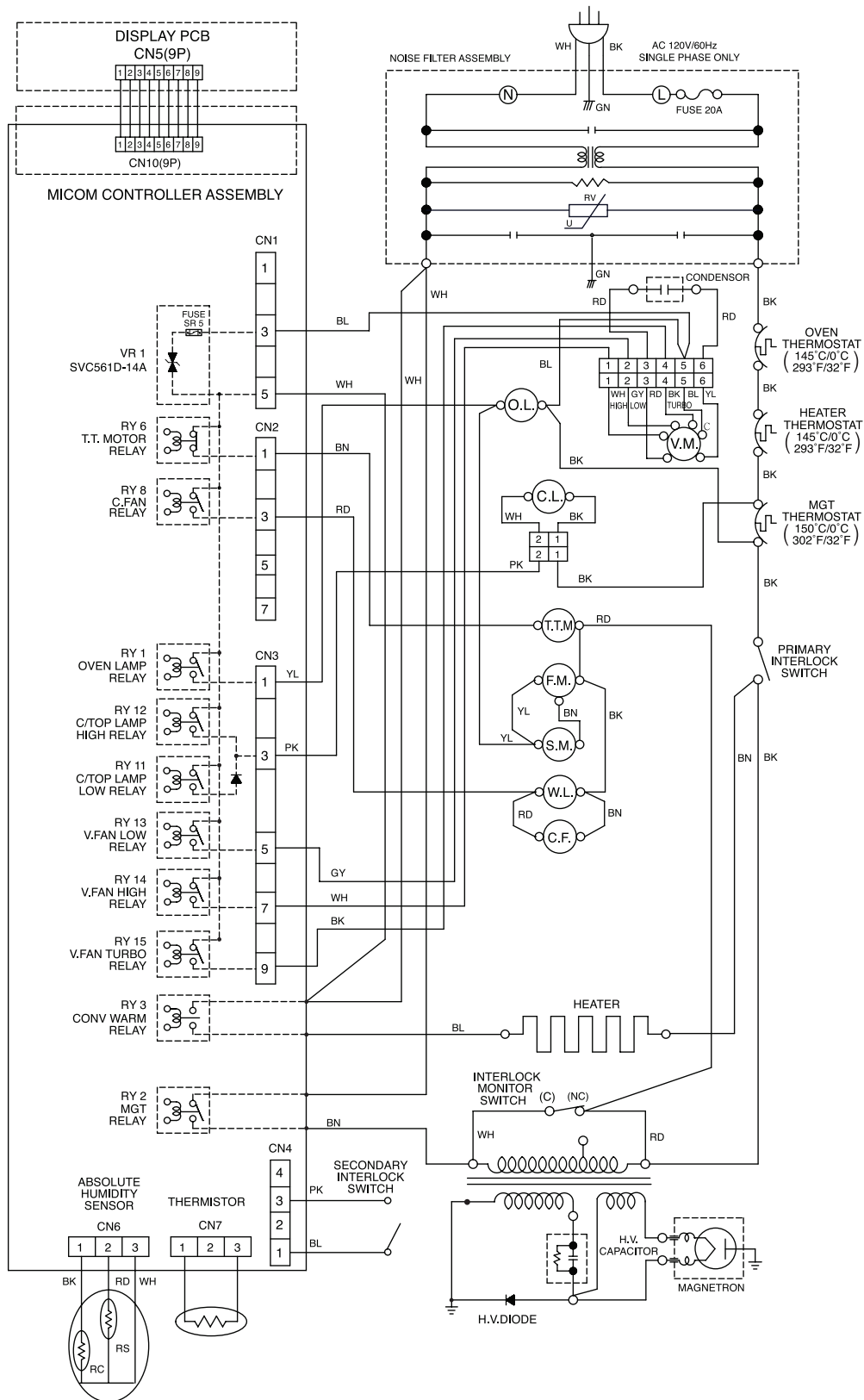
## 4-2. Explanation of Control Panel

1. **DISPLAY** The Display includes a clock and indicators to tell you time of day, cooking time setting, and cooking functions selected.
2. **REHEAT** Touch this pad to reheat Pizza Slice, Dinner Plate, Soup/Sauce, and Casserole. The oven's sensor will tell the oven how long to cook depending on the amount of humidity coming from the food.
3. **COOK** Touch this pad to cook Baked Potato, Vegetable Casserole, Rice, and Frozen Entrée. The oven's sensor will tell the oven how long to cook depending on the amount of humidity coming from the food.
4. **POPCORN** Touch this pad when popping popcorn in your microwave oven. The oven's sensor will tell the oven how long to cook depending on the amount of humidity it detects from the popcorn.
5. **KIDS MEAL** Select type of dish to reheat HOT DOG, MAC & CHEESE or CHICKEN NUGGETS.
6. **WARMING** Touch this pad to keep hot cooked foods warm in your oven.
7. **DEFROST** Touch this key to defrost food by entering weight, cook time or Quickly.  
Touch this key 2 times to Quick Defrost Cook.  
Touch this key 3 times to Time Defrost Cook.
8. **CLOCK** Touch this pad to enter the time of day.
9. **SOFTEN** Touch this pad to soften Butter, Ice Cream, Cream Cheese, and Frozen Juice.
10. **TIMER** Touch this pad to set the kitchen timer.
11. **MELT** Touch this pad to melt Butter / Magarine, Chocolate, Cheese, and Marshmallows.
12. **COOK TIME** Touch this pad to to set a cooking time.
13. **EZ-ON** Touch this pad to set and start quickly at 100% power level.
14. **CUSTOM SET** Touch this pad to change the oven's default setting for sound, clock, disply speed, and defrost weight.
15. **TURNTABLE ON/OFF** Touch this pad to turn on/off the turntable. This option is not available in sensor cook and detrost modes.
16. **POWER LEVEL** Touch this pad to select a cooking power level.
17. **NUMBER** Touch number pads to enter cooking time, power level, quantities, or weights.
18. **MORE** Touch this pad to add ten seconds of cooking time each time you press it.
19. **LESS** Touch this pad to subtract ten seconds of cooking time each time you press it.
20. **START/ENTER** Touch this pad to start a function. If you open the door after oven begins to cook, touch START/ENTER again.
21. **STOP/CLEAR** Touch this pad to stop the oven or to clear all entries.
22. **LIGHT HI/LOW/OFF** Touch this pad to turn the light on high, low, or off.
23. **VENT HI/LOW/OFF** Touch this pad to turn the fan on high, low, or off.
24. **VENT TURBO** Touch this pad to choose the most powerful fan speed.
25. **VENT AUTO TIME SET** Touch this pad when setting ventilation time. (1, 3, 5, 10, and 30 minutes.)



# 5. WIRING DIAGRAM / KEY MATRIX

## 5-1. Wiring Diagram



## 5-2. Key Matrix

KEY MATRIX

	5	6	7	8	9	10	11	12	13	14
1	1	2	3	4	5	6	7	8	9	0
2	CUSTOM SET	TIME COOK	POWER LEVEL	WARMING (Hold Warm)	T/T ABLE ON/OFF	Timer	ENTER / START	CLOCK	AUTO Time Set	NA
3	VENT Hi / Low / OFF (Vent On / Off)	TURBO (Vent Speed)	LIGHT	MAC & CHEESE	STOP / CLEAR	SOFTEN	MELT	MORE	NA	NA
4	SENSOR POPCORN	SENSOR COOK	SENSOR REHEAT	DEFROST (Auto Defrost)	EZ-ON (ADD30SEC)	HOT DOG	CHICKEN NUGGETS	LESS	NA	NA

# 6. TROUBLESHOOTING

---

## 6-1. General Information for Service

### GENERAL PRECAUTIONS IN USE

- A. Never operate the unit when it is empty.  
Operating the oven with no load may shorten the life of the magnetron. Whenever cooking dry foods (dried fish, bread, etc.) or a small amount of food, be sure to put a glass of water into the cooking compartment. The glass turntable may become hot after operating, be careful when touching it.
- B. Aluminum foil should be avoided because it will disrupt cooking and may cause arcing. However, small pieces may be used to cover some parts of food to slow the cooking. Any aluminum foil used should never be closer than 2.5 cm to any side wall of the oven.

### TRIAL OPERATION

After installation, the following sequences and results should be checked carefully.

- A. Put a container filled with water (about 1 liter) into the oven, and close the door tightly.
- B. Set cooking time for 10 minutes.
- C. Press the START pad to start.  
Make sure the cavity light comes on. The unit will begin cooking and the display window will show the time counting down by seconds.
- D. After about 5 minutes, make sure the primary interlock switch, the secondary interlock switch and the interlock monitor switch operate properly by opening and closing the door several times. Press the Press the START pad each time the door is closed.
- E. Continue operating the unit. For long beep sound signal is heard when the time is up. The unit will shut off automatically.
- F. Confirm the water is hot.
- G. Finally, measure the output power according to POWER OUTPUT MEASUREMENT on page 27.

### FEATURES AND SPECIFICATIONS FEATURES

- A. The safety systems incorporated in this model are:
  - (1) Primary interlock switch
  - (2) Secondary interlock switch
  - (3) Interlock monitor switch
  - (4) Choke system
  - (5) Oven cavity thermostat  
(**Note:** This thermostat located on the oven cavity will open and stop the unit from operation only if a high temperature is reached, such as, a fire created by overcooking food.)
- B. Any one of 10 power output levels ranging 0 W to 1,100 W can be selected by the touch control and electronic computer system.

---

## 6-2. Safety Caution

### A. SINCE NEARLY 4,000 VOLTS EXISTS IN SOME CIRCUITS OF THIS UNIT REPAIRS SHOULD BE CARRIED OUT WITH GREAT CARE.

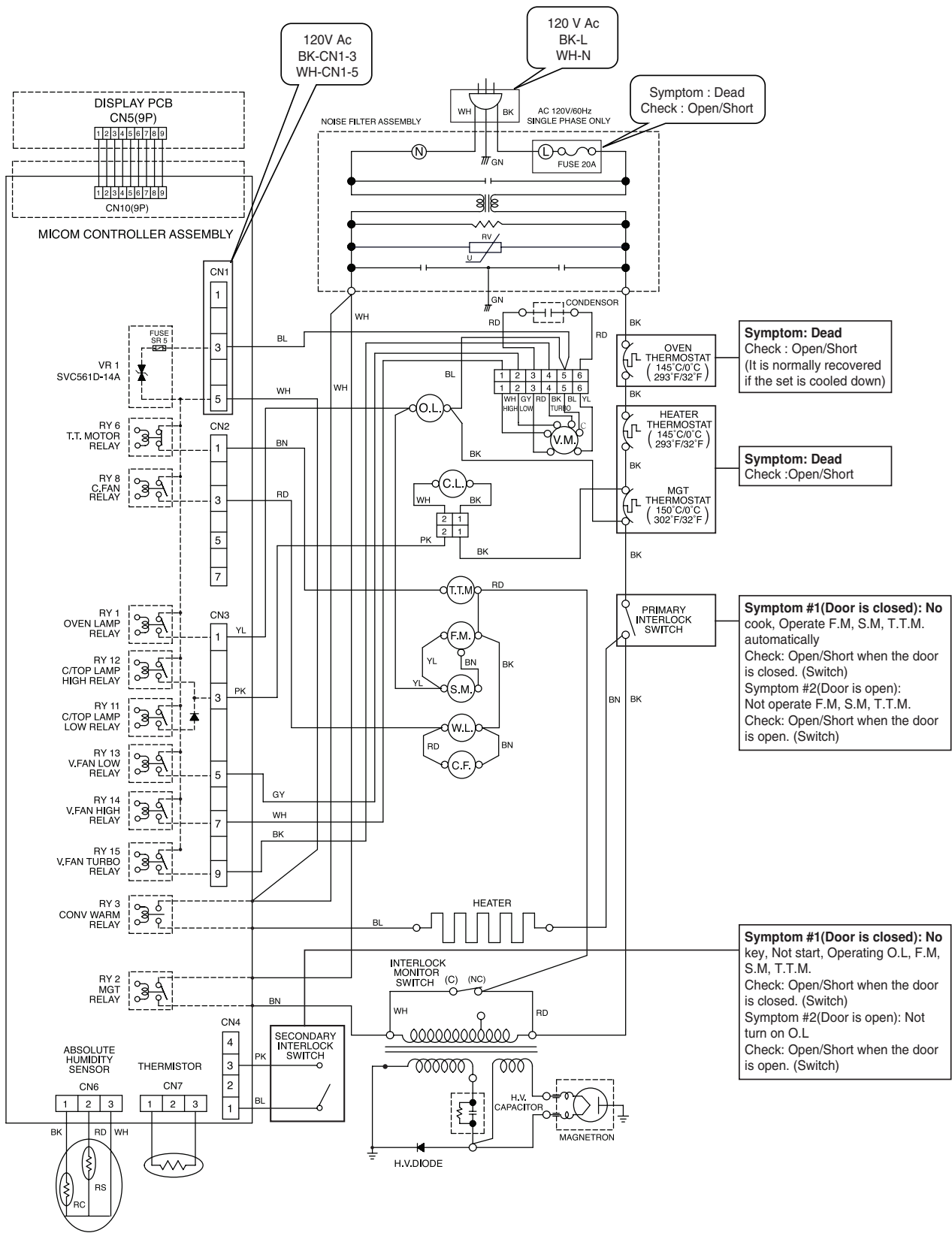
The filament leads of magnetron carry High Voltage with respect to ground. Extreme caution must be exercised. Never plug the unit into a power source to determine which component is defective in high voltage section.

### B. TO AVOID POSSIBLE EXPOSURE TO MICROWAVE ENERGY LEAKAGE, THE FOLLOWING PRECAUTIONS MUST BE TAKEN BEFORE SERVICING.

- (1) Before the power is applied:
  - (a) Make sure the primary interlock switch, the secondary interlock switch and the interlock monitor switch operate properly by opening and closing the door several by opening and closing the door several times.
  - (b) Make sure the perforated screen and the dielectric choke of the door are correctly and firmly mounted.
- (2) After power is applied:
  - (a) Make sure the interlock switch mechanism is operating properly by opening and closing the door.
  - (b) Check microwave energy leakage must be below the limit of  $5 \text{ mW/cm}^2$  .  
(All service adjustments should be made for minimum microwave energy leakage readings).
- (3) Do not operate the unit until it is completely repaired, if any of the following conditions exist. The unit must not be operated.
  - (a) The door does not close firmly.
  - (b) The hinge is broken.
  - (c) The door seal is damaged.
  - (d) The door is bent or warped, or there is any other visible damage on the unit that may cause microwave energy leakage.  
**NOTE:** Always keep the seal clean.
  - (e) Make sure that there are no defective parts in the interlock mechanism.
  - (f) Make sure that there are no defective parts in the microwave generating and transmission assembly (especially waveguide).
- (4) The following items should be checked after the unit is repaired:
  - (a) The interlock monitor switch is connected correctly and firmly.
  - (b) The magnetron gasket is properly positioned and mounted.
  - (c) The waveguide and the oven cavity are intact.  
(no microwave energy leakage)
  - (d) The door can be properly closed and the safety switches work properly.
  - (e) The unit must stop when the door is opened or the time is up.

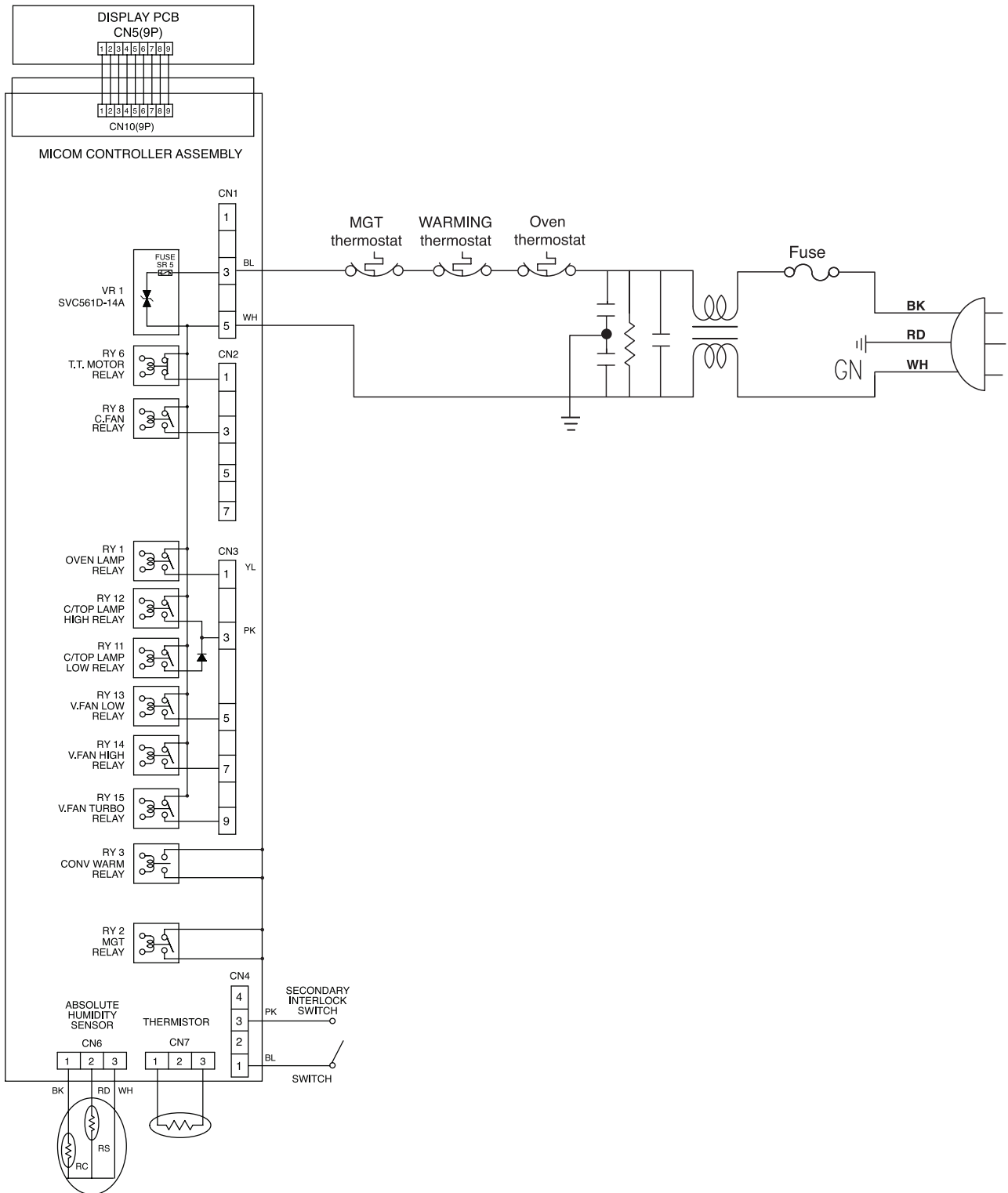
The unit must not be operated with any of the above components removed or bypassed.

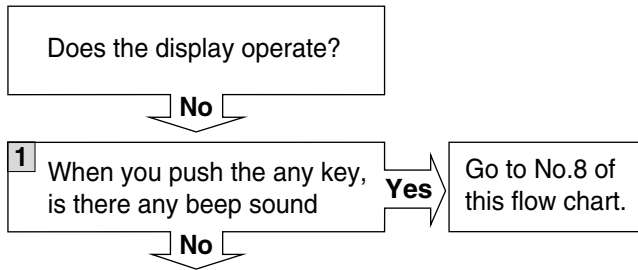
# 6-3. Basic Check Summary



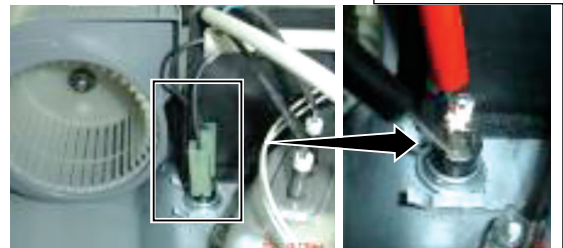
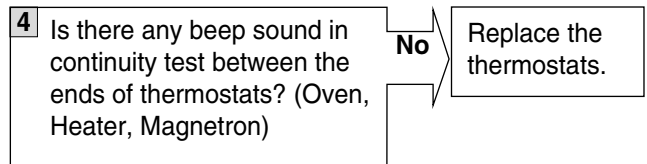
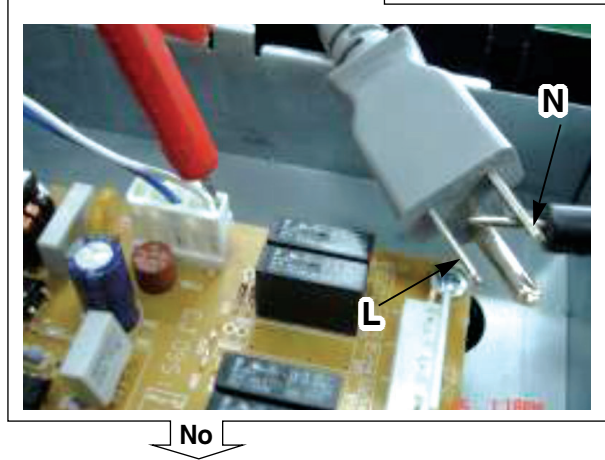
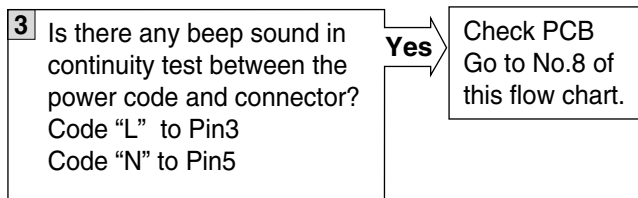
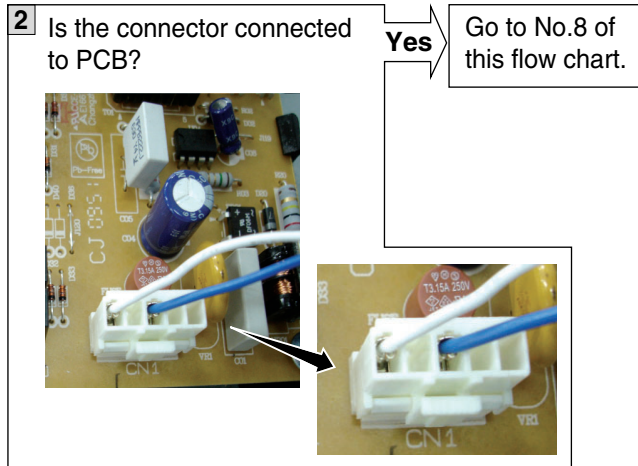
# 6-4. Troubleshooting

## No Display or Dead





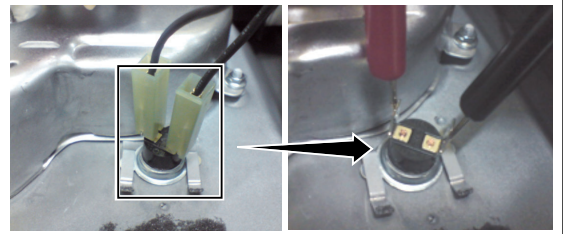
**Power Off**



**Oven Thermostat**



**Magnetron Thermostat**

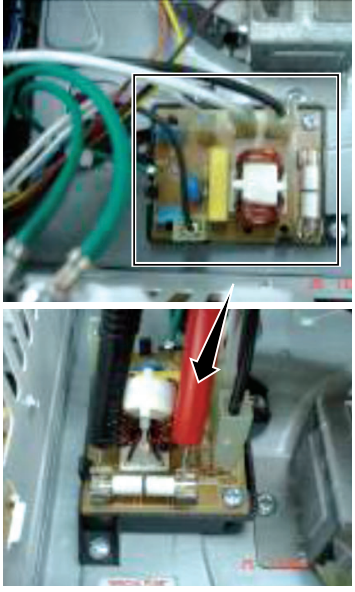


**Heater Thermostat**



**5** Is there any beep sound in continuity test between the ends of the Fuse?

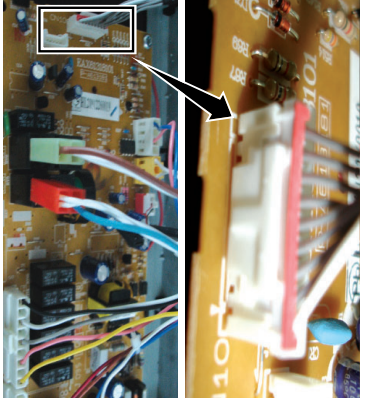
**No** → Replace the Fuse.



**Yes** →

**7** Is the connector connected to Main PCB assemble disconnected or disassembled? (CN10)

**Yes** → Reconnect or repair the connector.

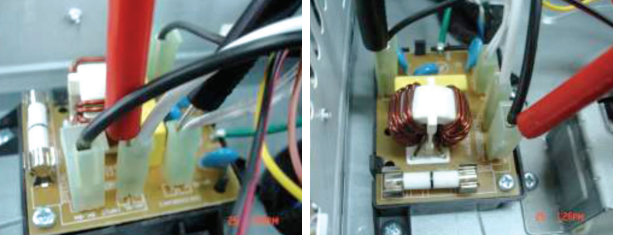


**No** →

**Power ON**

**6** Is there any beep sound in continuity test between the ends of noise filter?

**No** → Reconnect or repair the connector.

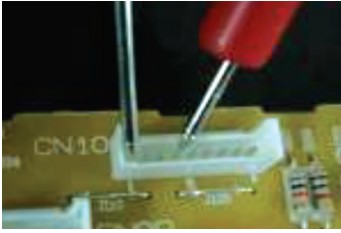


**Neutral terminal of Noise filter**      **Live terminal of Noise filter**

**Yes** →

**8** Is the voltage of Main PCB out of the range?  
Normal condition  
Pin 1 to Pin 4 of CN10\_20V

**No** → Replace the Main PCB (EBR64419604)

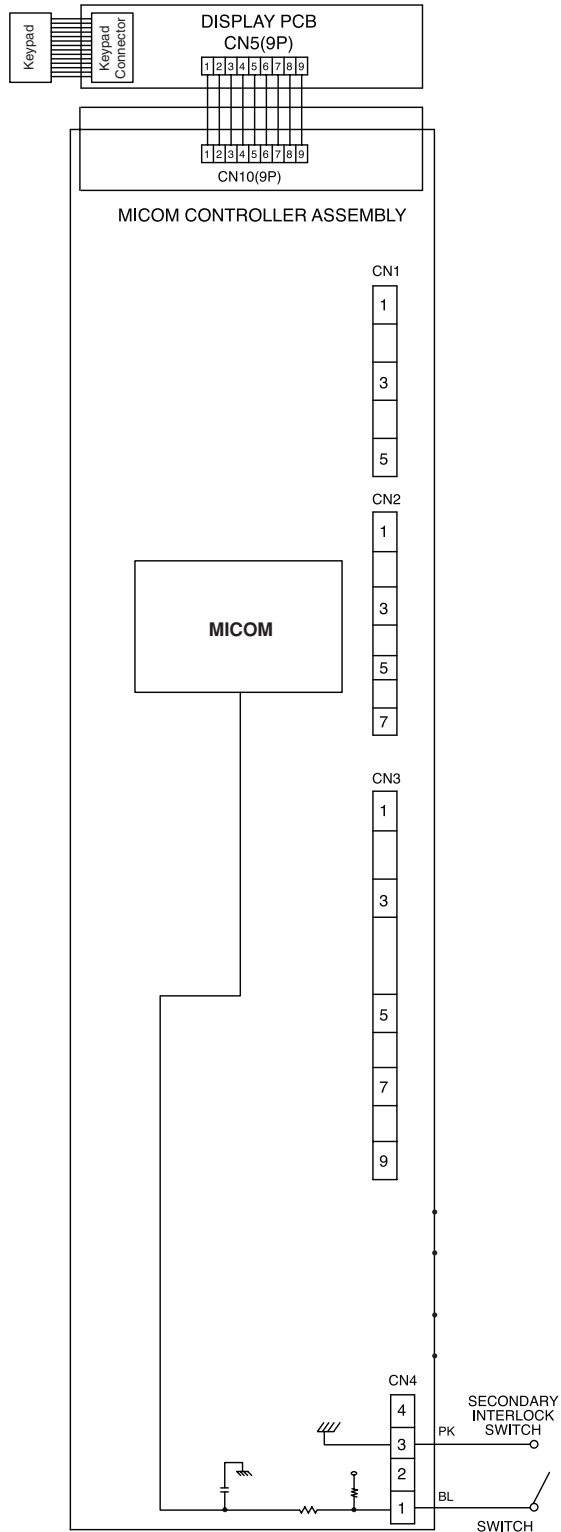


**Yes** →

**9** Replace the Door PCB(EBR64419501).



## Keypad Failure



- Start key or EZ-ON key works if the door is closed.

Does the keys operate?

No

**Power ON**

**1** Do not only START key and EZ-ON key operate? Door should be closed?

No

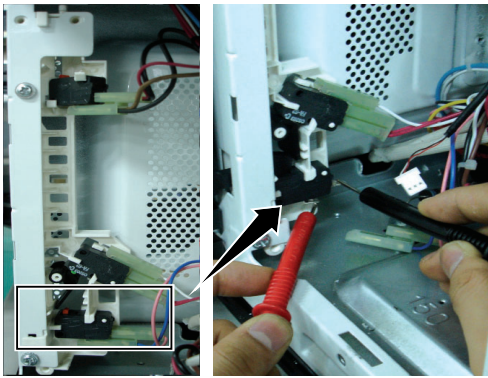
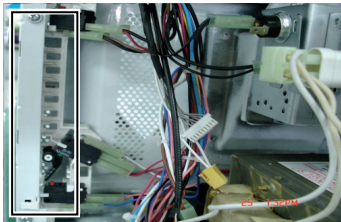
Check PWB  
Go to No.5 of  
this flow chart.

Yes

**2** Is there beep sound in continuity test between the ends of latch board? Secondary Switch (Door should be closed)

No

Adjust latch  
board (Refer to  
9-1, 9-2)

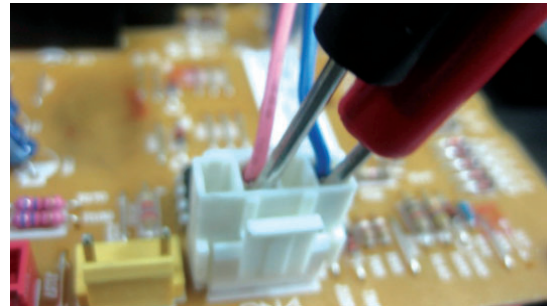


Yes

**3** When the door is opened, Is the voltage of door sensing part over 4V? (Pin 1 to Pin 3 of CN4)

No

Replace the PCB  
(EBR64419604)

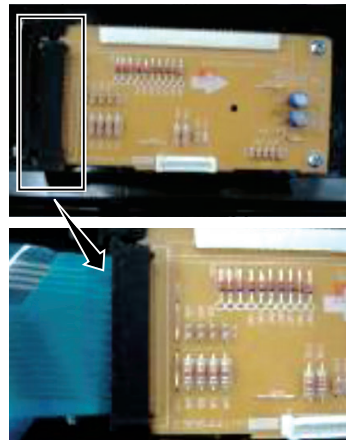


Yes

**4** Is the connector connected to MAIN PCB assembly disconnected or disassembled? (CN3)

Yes

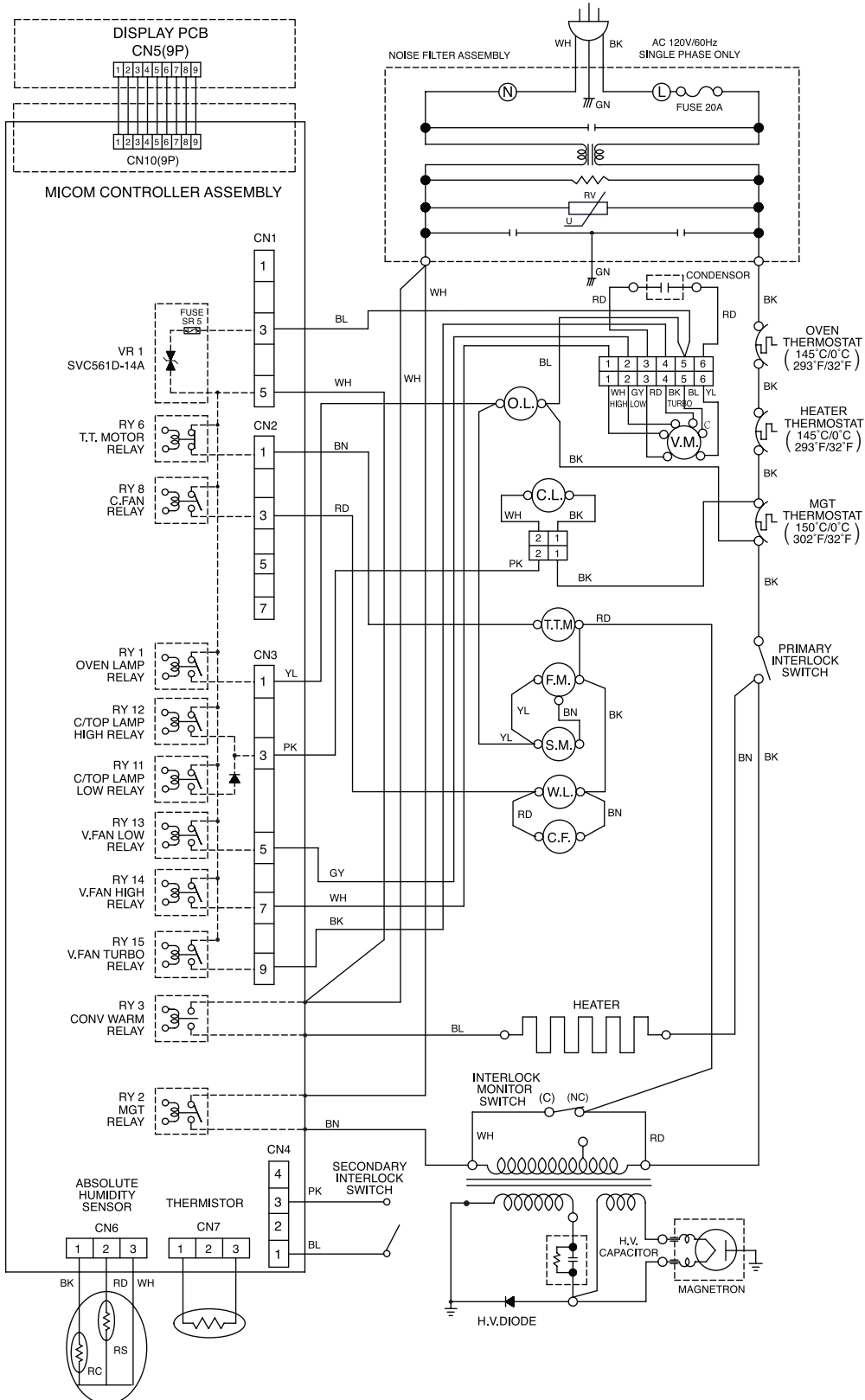
Reconnect or  
repair  
the connector.

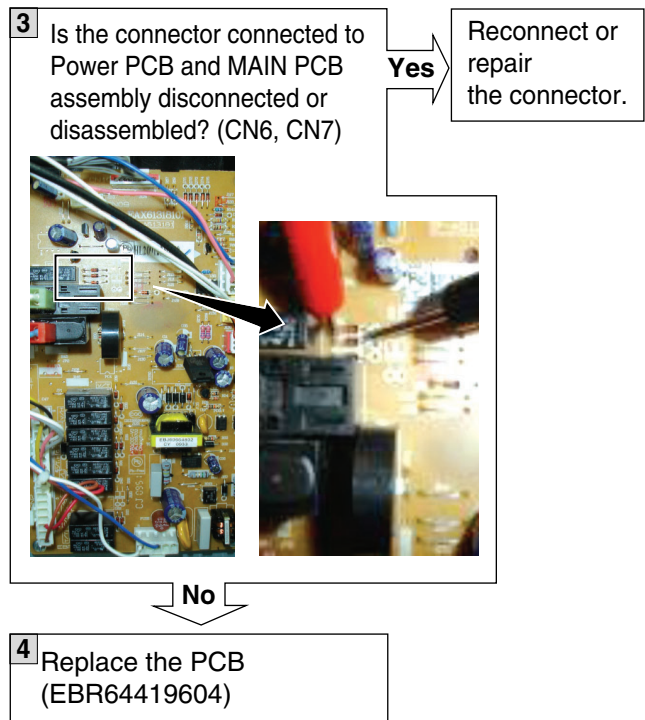
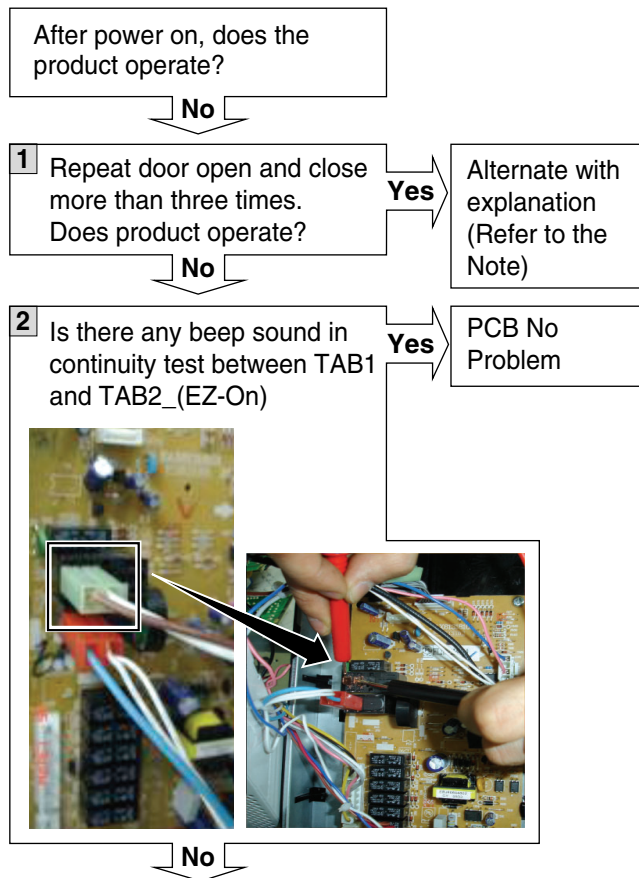


No

**5** Replace the Door PCB. EBR64419501  
Replace the Keypad if changing the door PCB doesn't resolve the problem

# No Heat / No Cook





**[Note]**

If something is caught in the door or in the sealing area, the microwave oven cannot operate safely. The latch switches and monitor switch will prevent operation.

**Power Off**

**5** Is there any beep sound in continuity test between the ends of latch board?  
- primary switch  
(Door should be closed.)

**No** Adjust latch board  
(Refer to 9-1, 9-2)

**Yes**

**6** Is the connector connected to High voltage Transformer assembly disconnected or disassembled?

**Yes** Reconnect or repair the connector

**No**

**7** Is the resistance of high voltage Transformer out of range?

**Yes** Replace the High Voltage Transformer

**Test Point**  
1. Primary winding (High, Low): 0.2 ~ 0.5 Ohm

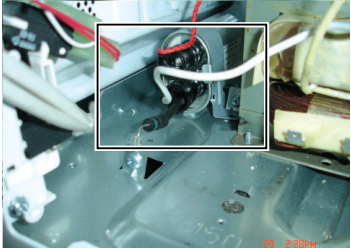
2.Secondary: 50~120 Ohm

3.Filament winding: 0 Ohm

**No**

**8** Is the connector connected to High Voltage capacitor assembly disconnected or disassembled?

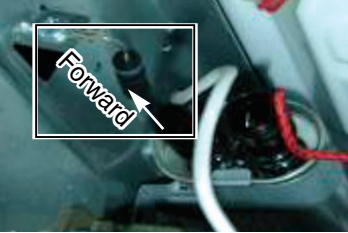
**Yes** → Reconnect or repair the connector.



**No** ↓

**11** Is the resistance of the high voltage diode out of range? (Refer to 10)

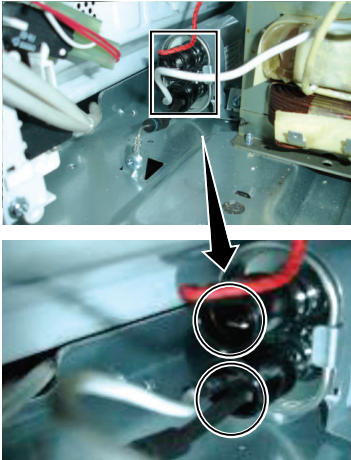
**No** → Replace the high voltage Diode.



**Yes** ↓

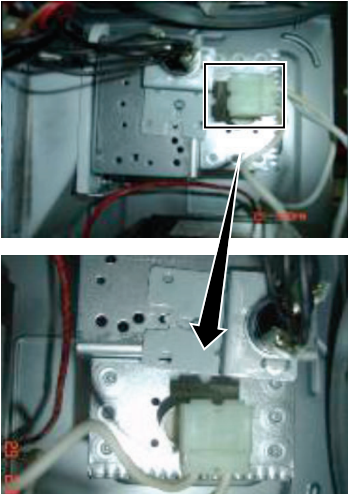
**9** Is the resistance of the high voltage capacitor out of range? (Refer to 10)  
**Test Point**

**Yes** → Replace the high voltage capacitor.



**No** ↓

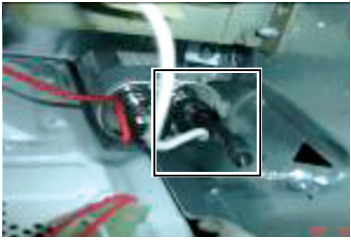
**12** Is the connector connected to magnetron assembly disconnected or disassembled?



**Yes** ↓

**10** Is the connector connected to the high voltage diode assembly disconnected or disassembled?

**Yes** → Reconnect or repair the connector.



**No** ↓

Reconnect or repair the connector.

## Turntable Motor Does Not Work

### Power ON

1 Does the turntable motor operate?

No

2 Does the Fan Motor turn on when the EZ-On button is pressed?

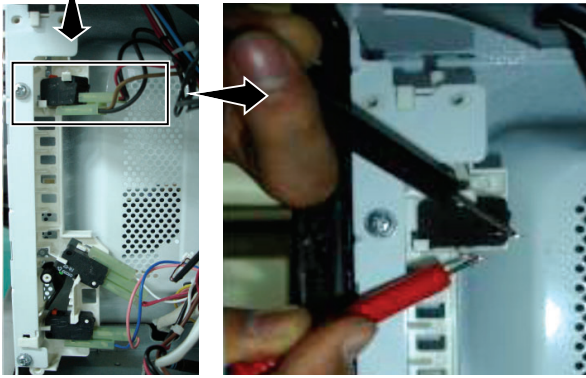
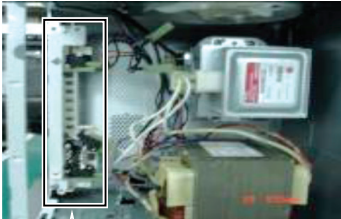
Yes

No

3 When door is closed, does the oven lamp turn on?

Yes

Adjust the Primary latch board (Refer to 9-1, 9-2)

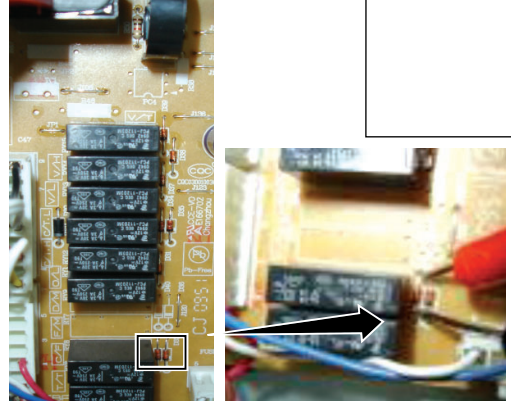


No

4 Push the EZ-ON (Operate) Is the voltage of both ends of the D30 over 8 V?

No

Replace the PCB (EBR64419604)

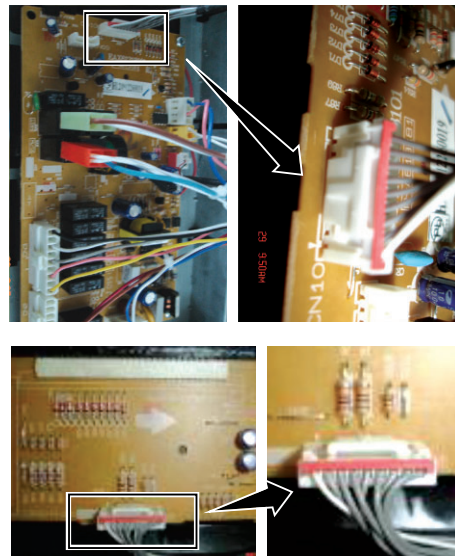


Yes

5 If the connector connected to Main PCB and Door PCB assembly disconnected or disassembled? (CN10)

No

Reconnect or repair the connector.



Yes

6 PCB No Problem

## Turn on automatically

Is the product turn on automatically without pushing the start key?

Yes

1 Repeat Door Open and close more than three times. Dose the product operate?

Yes

Alternate with explanation (Refer to the Note)

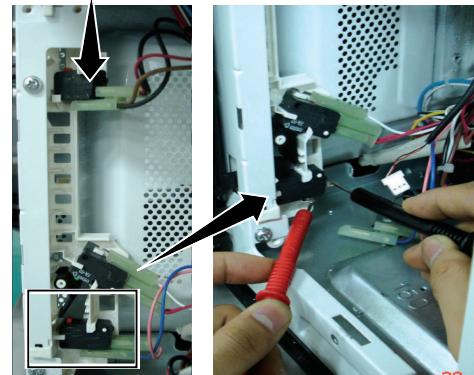
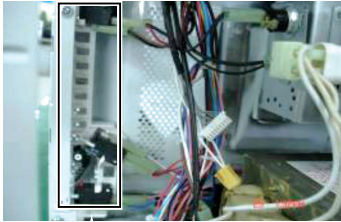
No

### Power Off

2 Is there any beep sound in continuity test between the ends of latch board? - secondary switch (Door should be closed.)

No

Adjust the Primary latch board (Refer to 9-1, 9-2)



Yes

### Power ON

3 When door is closed, does the oven lamp turn on?

No

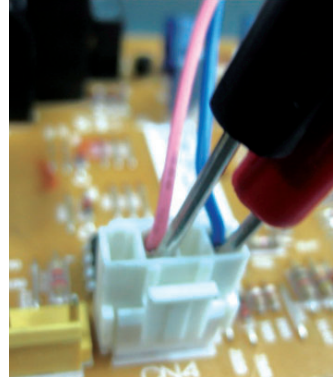
Replace the turntable Motor

Yes

4 When the door is opened, Is the voltage of door sensing part over 4V? (Pin 1 to Pin 3 of CN4)

No

Replace the PCB (EBR64419604)

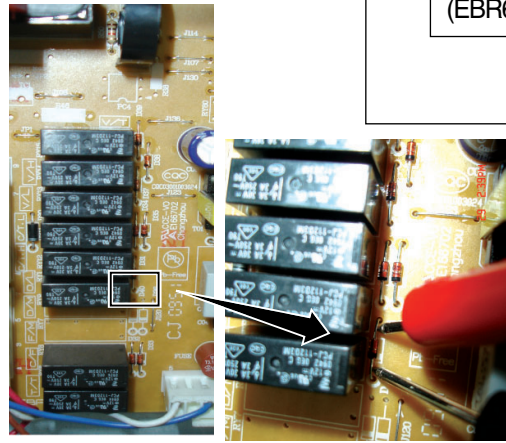


Yes

5 Is the voltage of both ends of the D31 over 8V?

Yes

Replace the PCB (EBR64419604)



No

6 Is there any beep sound in continuity test between the ends of two Pin? (Pin 1 of CN3 and Pin 5 of CN1)

No

Replace the PCB (EBR64419604)



Yes

PCB No Problem



# 7. MICROWAVE LEAKAGE TEST

## CAUTIONS

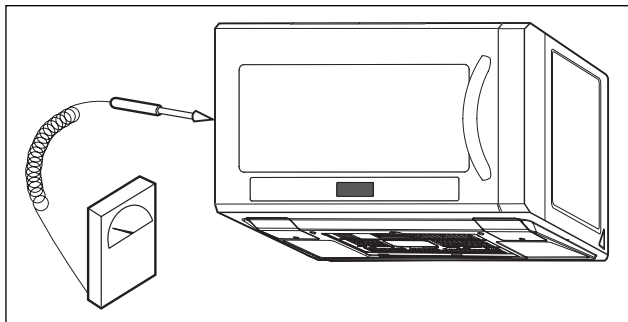
- **Be sure to check microwave leakage prior to servicing the oven if the oven is operative prior to servicing.**
- **The service personnel should inform the manufacturer, importer, or assembler of any certified oven unit found to have a microwave emission level in excess of 5 mW/cm<sup>2</sup> and should repair any unit found to have excessive emission levels at no cost to the owner and should ascertain the cause of the excessive leakage. The service personnel should instruct the owner not to use the unit until the oven has been brought into compliance.**
- If the oven operates with the door open, the service personnel should;
  - Tell the user not to operate the oven
  - Contact the manufacturer and CDRH (Center for Devices and Radiological Health) immediately.

**NOTE:** Address on CDRH

Office of Compliance (HFZ-312)  
Center for Devices and Radiological Health  
1390 Piccard Drive Rockville, Maryland 20850

- The service personnel should check all surface and vent openings for microwave emission testing.
- Check for microwave energy leakage after every servicing. The power density of the microwave radiation leakage emitted by the microwave oven should not exceed 1mW/cm.sq. And always start measuring of an unknown field to assure safety for operating personnel from radiation leakage.

**NOTE:** The standard is 5mW/cm.sq. while in the customer's home. 1mW/cm.sq.stated here is manufacturer's own voluntary standard for units in customer's home.



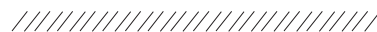
## EQUIPMENT-

- TESTER (VOLTS-DC, AC, Ohmmeter)
- Microwave survey meter
  - Holaday HI-1500
  - HI-1501
  - Narda 8100
  - 8200
- 600 cc non conductive material beaker (glass or plastic), inside diameter: approx. 8.5 cm (3 1/2 in.)
- Glass thermometer: 100 °C or 212°F (1 deg scale)

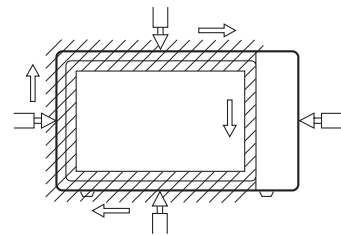
## MEASURING MICROWAVE ENERGY LEAKAGE

- **Pour 275±15cc of 20±5°C(68±9°F) water in a beaker which is graduated to 600 cc, and place the beaker on the oven.**
- **Set the energy leakage monitor to 2450 MHz and use it following the manufacturer's recommended test procedure to assure correct result.**
- **When measuring the leakage, always use the 2-inch (5cm) spacer supplied with the probe.**
- **Operate the oven at its maximum output.**
- **Measure the microwave radiation using and electromagnetic radiation monitor by holding the probe perpendicular to the surface being measured.**

Move probe along shaded area.



Probe scanning speed  
Less than 2.5 cm/sec. ( 1 in/sec)



---

### **MEASUREMENT WITH THE OUTER CASE REMOVED**

- (1) When you replace the magnetron, measure for microwave energy leakage before the outer case is installed and after all necessary components are replaced or adjusted. Special care should be taken in measuring the following parts.
  - Around the magnetron
  - The waveguide

**WARNING:** AVOID CONTACTING ANY HIGH VOLTAGE PARTS.

### **MEASUREMENT WITH A FULLY ASSEMBLED OVEN**

- (1) After all components, including the outer panels, are fully assembled, measure for microwave energy leakage around the door viewing window, the exhaust opening and air inlet openings.
- (2) Microwave energy leakage must not exceed the values prescribed below.

**NOTES:**

Leakage with the outer panels removed than 5 mW/cm<sup>2</sup>.

Leakage for a fully assembled oven (Before the latch switch (primary) is interrupted) with the door in a slightly opened position - less than 1 mW/cm<sup>2</sup>

### **NOTE WHEN MEASURING**

- (1) Do not exceed meter full scale deflection.
- (2) The test probe must be removed no faster than 1 inch/sec (2.5cm/sec) along the shaded area, otherwise a false reading may result.
- (3) The test probe must be held with the grip portion of the handle. A false reading may result if the operator's hand is between the handle and the probe.
- (4) When testing near a corner of the door, keep the probe perpendicular to the surface making sure the probe horizontally along the oven surface, this may possibly cause probe damage.

### **RECORD KEEPING AND NOTIFICATION AFTER MEASUREMENT**

- (1) After adjustment and repair of any microwave energy interruption or microwave energy blocking device, record the measured values for future reference. Also enter the information on the service invoice.
- (2) Should the microwave energy leakage not be more than 1 mW/cm<sup>2</sup> after determining that all parts are in good condition, functioning properly and genuine replacement parts which are listed in this manual have been used.
- (3) At least once a year, have the electromagnetic energy leakage monitor checked for calibration by its manufacturer.

## 8. POWER OUTPUT MEASUREMENT

- (1) Microwave power output measurement is made with the microwave oven supplied at its rated voltage and operated at its maximum microwave power setting with a load of (1000 ± 5) g of potable water.
- (2) The water is contained in a cylindrical borosilicate glass vessel having a maximum material thickness of 1/8" (3 mm) and an outside diameter of approximately 7.6" (190 mm).
- (3) The oven and the empty vessel are at ambient Temperature (T0) prior to the start of the test.
- (4) The initial temperature (T1) of the water is (10 ± 1) °C (50°F) It is measured immediately before the water is added to the vessel. After addition of the water to the vessel, the load is immediately placed on the center of the turntable which is in the lowest position and the microwave power switched on.
- (5) The time t for the temperature of the water to rise by a value T of (10 ± 1) °K is measured, where t is the time in seconds and T is the temperature rise. The initial and final water temperatures are selected so that the maximum difference between the final water temperature and the ambient temperature is 5°K.
- (6) The microwave power output P in watts is calculated from the following formula :

$$P = \frac{4.187 Mw(T2 - T1) + 0.55Mc(T2 - T0)}{t}$$

is measured while the microwave generator is operating at full power. Magnetron filament heat-up time is not included. (about 3 seconds)

- (7) The water is stirred to equalize temperature throughout the vessel, prior to measuring the final water temperature.
- (8) Stirring devices and measuring instruments are selected in order to minimize addition or removal of heat.

Where

**P** is the microwave power output, in watts

**Mw** is the mass of the water, in grams

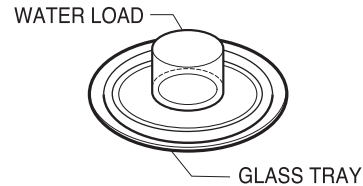
**Mc** is the mass of the container, in grams

**T0** is the ambient temperature, in °C

**T1** is the initial temperature of the water, in °C

**T2** is the final temperature of the water, in °C

**t** is the heating time in seconds, excluding the magnetron filament heat-up time.



# 9. INTERLOCK SYSTEM

## 9-1. Interlock Mechanism

The door lock mechanism is a device which has been specially designed to eliminate completely microwave activity when the door is opened during cooking and thus to prevent the danger resulting from the microwave leakage.

### ADJUSTMENT PROCEDURES

To avoid possible exposure to microwave energy leakage, adjust the door latches and interlock switches, using the following procedure.

The Interlock Monitor and Primary Interlock Switch act as the final safety switch protecting the user from microwave energy. The terminals between COM and NC of the Interlock Monitor must close when the door is opened. After adjusting the Interlock Monitor Switch, make sure that it is correctly connected. Mounting of the primary/monitor/secondary switches to the latch board.

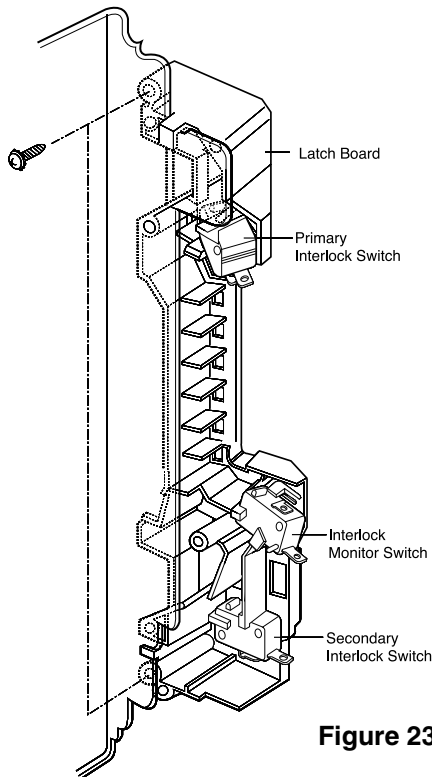


Figure 23-a

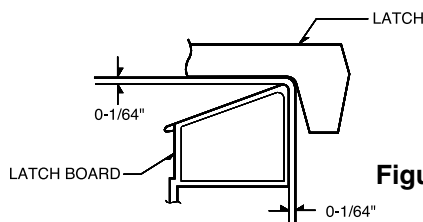


Figure 23-b

### CHECK THE DOOR LATCH AND SWITCH CLOSING.

#### NOTE:

The outer cover of the microwave oven is removed.

- (1) Set the microwave oven on its side so that you can see the latch board and the switches, as shown in Figure 23-a.
- (2) Close the door tightly and check gaps A and B to be sure they are no more than 1/64" (0.5 mm). See Figure 23-b for close-up view of gaps A and B (door latches). If all gaps are less than 1/64" (0.5 mm), adjustment of the latch board may not be necessary. Go to Steps 5 and 6 to check the sequence of the switches.

#### NOTE:

To correct sequence of the Primary Interlock Switch, Secondary Interlock Switch and the Interlock Monitor Switch is very important.

**If any gap is larger than 1/64" (0.5 mm), you will need to adjust the latch board. Go to step 3 and follow all steps in order.**

### ADJUST THE LATCH AND SWITCH CLOSING

- (3) Loosen the two screws holding the plastic latch board as shown.
- (4) With the oven door closed tightly, move the latch board upward toward the top of the oven and/or away from the door latch until the gaps are less than 1/64" (0.5 mm). Hold the latch board tightly in this position until you check the sequence of the switches in steps 5 and 6.

---

## TEST THE LATCH AND SWITCH SEQUENCE

- (5) Open the oven door slowly. Watch the door latch, the Secondary Switch. Release Rod and Lever on the switches to make sure they are zero to the body of the switches in the following sequence:

- Primary Interlock Switch
- Secondary Interlock Switch
- Interlock Monitor Switch

Adjust the latch board until the switches operate in this sequence. See Steps 3 and 4.

- (6) Close the oven door slowly and be sure it is tightly closed. Watch the three switches to make sure they are zero to the body of the switches in the following sequence:

- Interlock Monitor Switch
- Primary Interlock Switch
- Secondary Interlock Switch

**NOTE:** The Interlock Monitor Switch is an added safety check on the Primary and Secondary Interlock Switches. If the Primary and Secondary Interlock Switches allow the oven to operate with the door open, the Monitor Switch will blow the fuse.

- (7) When you achieve the proper sequence of switches in Steps 5 and 6, tighten the latch board screws at that point.

## TEST THE MICROWAVE ENERGY LEAKAGE

Make sure the microwave energy leakage is below the limit of  $1\text{mW}/\text{cm}^2$  (with a 275 ml water load) and  $5\text{mW}/\text{cm}^2$  (with a 275 ml water load without the cabinet) when measured with a survey meter.

## 9-2. Interlock Continuity Test

### A. PRIMARY INTERLOCK SWITCH TEST

When the door is opened slowly, an audible **click** should be heard at the same time or successively at intervals and the latches should activate the switches with an audible **click**.

If the latches do not activate the switches when the door is closed, the switches should be adjusted in accordance with the adjustment procedure.

Disconnect the wire lead from the primary switch. Connect the ohmmeter leads to the common (COM) and normally open (NO) terminal of the switch. The meter should indicate an open circuit in the door open condition.

When the door is closed, the meter should indicate a closed circuit.

When the primary switch operation is abnormal, make the necessary adjustment or replace the switch only with the same type of switch.

### B. SECONDARY INTERLOCK SWITCH TEST

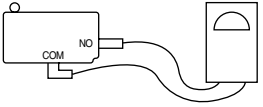
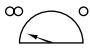
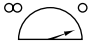
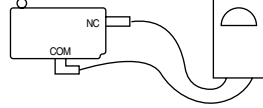
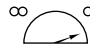
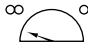
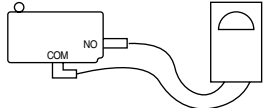
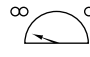
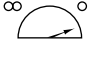
Disconnect the wire lead from the secondary switch.

Connect the ohmmeter leads to the common (COM) and normally open (NO) terminals of the switch. The meter should indicate an open circuit in the door open condition. When the door is closed, the meter should indicate a closed circuit. When the secondary switch operation is abnormal, make the necessary adjustment or replace the switch only with the same type of switch.

### C. MONITOR SWITCH TEST

Disconnect the wire lead from the monitor switch. Connect the ohmmeter leads to the common (COM) and normally closed (NC) terminals of the switch. The meter should indicate a closed circuit in the door open condition. When the door is closed, the meter should indicate an open circuit. When the monitor switch operation is abnormal, replace with the same type of switch.

**NOTE: After repairing the door or the interlock system, it is necessary to do this continuity test before operating the oven.**

COMPONENTS	TEST PROCEDURE		RESULTS	
			Door open	Door closed
SWITCHES (Wire leads removed)	Check for continuity of the switch with an Ohm-meter			
	Primary Switch			
	Monitor Switch			
	Secondary Switch			
NOTE : After checking for the continuity of switches, make sure that they are connected correctly.				

**WARNING : FOR CONTINUED PROTECTION AGAINST EXCESSIVE RADIATION EMISSION, REPLACE ONLY WITH IDENTICAL REPLACEMENT PARTS.**

TYPE NO.SZM-V16-FA-63 OR VP-533A-OF OR V-5230Q FOR PRIMARY SWITCH

TYPE NO.SZM-V16-FA-62 OR VP-532A-OF OR V-5220Q FOR MONITOR SWITCH

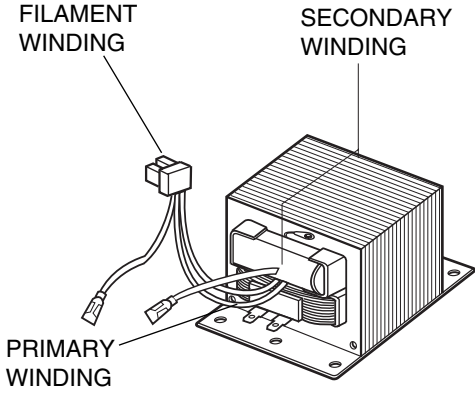
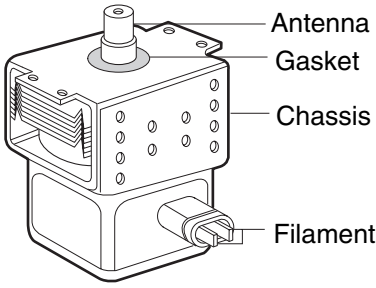
TYPE NO.SZM-V16-FA-63 OR VP-533A-OF OR V-5230Q FOR SECONDARY SWITCH

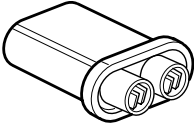
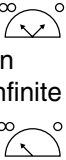
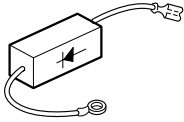
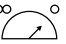
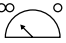
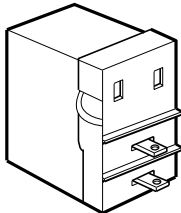
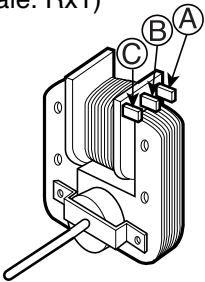
# 10. COMPONENT TESTING INFORMATION

## CAUTIONS

1. DISCONNECT THE POWER SUPPLY CORD FROM THE OUTLET WHENEVER REMOVING THE OUTER CASE FROM THE UNIT. PROCEED WITH THE TEST ONLY AFTER DISCHARGING THE HIGH VOLTAGE CAPACITOR AND REMOVING THE LEAD WIRES FROM THE PRIMARY WINDING OF THE HIGH VOLTAGE TRANSFORMER.
2. ALL OPERATIONAL CHECKS WITH MICROWAVE ENERGY MUST BE DONE WITH A LOAD (1 LITER OF WATER IN CONTAINER) IN THE OVEN.

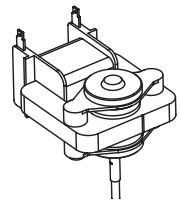
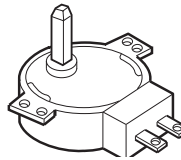
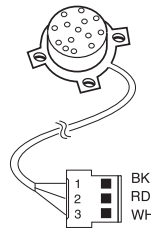
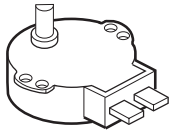
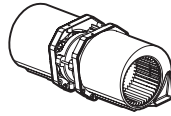
## A. TEST PROCEDURES

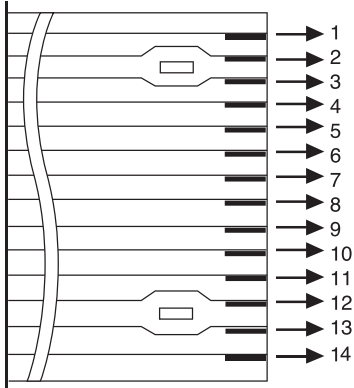
COMPONENTS	TEST	RESULTS
<p><b>TRANSFORMER</b></p>	 <ol style="list-style-type: none"> <li>1. Remove wire leads.</li> <li>2. Measure resistance. (ohm meter scale: Rx1) <ul style="list-style-type: none"> <li>• Primary winding</li> <li>• Secondary winding</li> <li>• Filament winding</li> </ul> </li> <li>3. Measure resistance. (ohm meter scale: Rx1000) <ul style="list-style-type: none"> <li>• Primary winding to ground</li> <li>• Filament winding to ground</li> </ul> </li> </ol>	<p>Approx. 0.2 to 0.5 ohms Approx. 50 to 120 ohms 0 ohm</p> <p>Normal: Infinite Normal: Infinite</p>
<p><b>MAGNETRON</b></p>	 <ol style="list-style-type: none"> <li>1. Remove wire leads. Install the magnetron seal in the correct position. Check that the seal is in good condition.</li> <li>2. Measure resistance. (ohm meter scale: Rx1) <ul style="list-style-type: none"> <li>• Filament terminal</li> </ul> </li> <li>3. Measure resistance. (ohm meter scale: Rx1000) <ul style="list-style-type: none"> <li>• Filament to chassis</li> </ul> </li> </ol>	<p>Normal: Less than 1 ohm</p> <p>Normal: Infinite</p>

COMPONENTS	TEST	RESULTS																																	
<p><b>CAPACITOR</b></p>	<p>1. Remove wire leads. 2. Measure resistance. (ohm meter scale: Rx1000)</p> <ul style="list-style-type: none"> <li>• Terminal to terminal</li>   <li>• Terminal to case</li> </ul> 	<p>Normal: Momently indicates several ohm, and then gradually returns to infinite Normal: Infinite.</p> 																																	
<p><b>DIODE</b> Some inexpensive ohm meters may indicate infinite resistance in both directions.</p>	<p>1. Measure continuity. Forward. (ohm meter scale: Rx1000)</p> <p>2. Measure continuity. Reverse. (ohm meter scale: Rx1000)</p> 	<p>Normal: Continuity. Abnormal: Infinite.</p>  <p>Normal: Infinite. Abnormal: Continuity.</p> 																																	
<p><b>RELAY 2</b></p>	<p>1. Measure continuity. (ohm meter scale: Rx1)</p> <p>2. Remove the lead wires and operate oven at power level 1 through power level 10.</p> 	<table border="1"> <thead> <tr> <th>Power Level</th> <th>Open</th> <th>Close</th> </tr> </thead> <tbody> <tr><td>1</td><td>4 Sec</td><td>18 Sec</td></tr> <tr><td>2</td><td>6 Sec</td><td>16 Sec</td></tr> <tr><td>3</td><td>8 Sec</td><td>14 Sec</td></tr> <tr><td>4</td><td>10 Sec</td><td>12 Sec</td></tr> <tr><td>5</td><td>12 Sec</td><td>10 Sec</td></tr> <tr><td>6</td><td>14 Sec</td><td>8 Sec</td></tr> <tr><td>7</td><td>16 Sec</td><td>6 Sec</td></tr> <tr><td>8</td><td>18 Sec</td><td>4 Sec</td></tr> <tr><td>9</td><td>20 Sec</td><td>2 Sec</td></tr> <tr><td>10</td><td>22 Sec</td><td>0 Sec</td></tr> </tbody> </table>	Power Level	Open	Close	1	4 Sec	18 Sec	2	6 Sec	16 Sec	3	8 Sec	14 Sec	4	10 Sec	12 Sec	5	12 Sec	10 Sec	6	14 Sec	8 Sec	7	16 Sec	6 Sec	8	18 Sec	4 Sec	9	20 Sec	2 Sec	10	22 Sec	0 Sec
Power Level	Open	Close																																	
1	4 Sec	18 Sec																																	
2	6 Sec	16 Sec																																	
3	8 Sec	14 Sec																																	
4	10 Sec	12 Sec																																	
5	12 Sec	10 Sec																																	
6	14 Sec	8 Sec																																	
7	16 Sec	6 Sec																																	
8	18 Sec	4 Sec																																	
9	20 Sec	2 Sec																																	
10	22 Sec	0 Sec																																	
<p><b>FAN MOTOR</b></p>	<p>1. Remove wire leads.</p> <p>2. Measure resistance. (ohm meter scale: Rx1)</p> 	<p>Normal: Approximately Terminal Ⓐ-Ⓒ 35 to 50 ohms Terminal Ⓐ-Ⓑ 5 to 15 ohms Abnormal: Infinite or several.</p>																																	



COMPONENTS	TEST	RESULTS
<b>VENTILATION MOTOR</b>	1.Remove lead wires. 2.Measure resistance. (ohm meter scale: Rx1) Turbo speed: blue & black wire High speed: blue & white wire Low speed: blue & gray wire	Normal: Approximately Turbo speed: 20 to 30 ohms High speed: 40 to 50 ohms Low speed: 45 to 55 ohms
<b>TURNTABLE MOTOR</b>	1. Remove wire leads. 2. Measure resistance. (ohm meter scale: Rx1000)	Normal: Approximately 2.0 to 3.0 Kohms Abnormal: Infinite or several.
<b>ABSOLUTE HUMIDITY SENSOR</b>	1. Disconnect sensor connector from micom computer board. 2. Measure resistance terminal to terminal (ohm meter scale: R X 1000)	Normal: Approximately BK-RD: 6.0 Kohms RD-WH: 3.0 Kohms BK-WH: 3.0 Kohms Abnormal: Infinite or approx. 0 ohm
<b>STIRRER MOTOR</b>	1.Remove lead wires. 2.Measure resistance. (ohm meter scale: Rx1000)	Normal: Approximately 120 to 135 ohms Abnormal: Infinite
<b>CIRCULATION MOTOR</b>	1. Remove lead wires. 2. Measure resistance. (ohm meter scale: Rx1)	Normal: Approximately 25 to 35 ohms Abnormal: Infinite
<b>HEATER</b>	1. Remove lead wires. 2. Measure resistance. (ohm meter scale: Rx1)	Normal: Approximately 25 to 35 ohms Abnormal: Infinite



COMPONENTS	TEST	RESULTS																																																												
<p><b>TOUCH KEY BOARD</b></p>	<p>Measure the resistance between terminal pins of connector KEY CONNECTOR.  <b>NOTE:</b>            When reconnecting the FPC connector, make sure that the holes on the FPC connector are properly engaged with hooks on the plastic fastener.</p> <p style="text-align: center;">MATRIX CIRCUIT FOR TOUCH KEY BOARD</p> <p style="text-align: center;">CONNECTOR(KEY CON)</p> <table border="1" data-bbox="513 751 1122 970"> <thead> <tr> <th></th> <th>5</th> <th>6</th> <th>7</th> <th>8</th> <th>9</th> <th>10</th> <th>11</th> <th>12</th> <th>13</th> <th>14</th> </tr> </thead> <tbody> <tr> <td>1</td> <td>1</td> <td>2</td> <td>3</td> <td>4</td> <td>5</td> <td>6</td> <td>7</td> <td>8</td> <td>9</td> <td>0</td> </tr> <tr> <td>2</td> <td>CUSTOM SET</td> <td>TIME COOK</td> <td>POWER LEVEL</td> <td>WARMING (Hold Warm)</td> <td>T/T ABLE ON/OFF</td> <td>Timer</td> <td>ENTER / START</td> <td>CLOCK</td> <td>AUTO Time Set</td> <td>NA</td> </tr> <tr> <td>3</td> <td>VENT Hi / Low / OFF (Vent On / Off)</td> <td>TURBO (Vent Speed)</td> <td>LIGHT</td> <td>MAC &amp; CHEESE</td> <td>STOP / CLEAR</td> <td>SOFTEN</td> <td>MELT</td> <td>MORE</td> <td>NA</td> <td>NA</td> </tr> <tr> <td>4</td> <td>SENSOR POPCORN</td> <td>SENSOR COOK</td> <td>SENSOR REHEAT</td> <td>DEFROST (Auto Defrost)</td> <td>EZ-ON (ADD30SEC)</td> <td>HOT DOG</td> <td>CHICKEN NUGGETS</td> <td>LESS</td> <td>NA</td> <td>NA</td> </tr> </tbody> </table>		5	6	7	8	9	10	11	12	13	14	1	1	2	3	4	5	6	7	8	9	0	2	CUSTOM SET	TIME COOK	POWER LEVEL	WARMING (Hold Warm)	T/T ABLE ON/OFF	Timer	ENTER / START	CLOCK	AUTO Time Set	NA	3	VENT Hi / Low / OFF (Vent On / Off)	TURBO (Vent Speed)	LIGHT	MAC & CHEESE	STOP / CLEAR	SOFTEN	MELT	MORE	NA	NA	4	SENSOR POPCORN	SENSOR COOK	SENSOR REHEAT	DEFROST (Auto Defrost)	EZ-ON (ADD30SEC)	HOT DOG	CHICKEN NUGGETS	LESS	NA	NA	<table border="1" data-bbox="1154 327 1500 495"> <thead> <tr> <th rowspan="2">Resistance value</th> <th>When touched</th> <th>When not touched</th> </tr> </thead> <tbody> <tr> <td>Less than 400 ohms</td> <td>More than 1 megohm</td> </tr> </tbody> </table> <p style="text-align: center;"><b>FPC CONNECTOR</b> Top</p> 	Resistance value	When touched	When not touched	Less than 400 ohms	More than 1 megohm
	5	6	7	8	9	10	11	12	13	14																																																				
1	1	2	3	4	5	6	7	8	9	0																																																				
2	CUSTOM SET	TIME COOK	POWER LEVEL	WARMING (Hold Warm)	T/T ABLE ON/OFF	Timer	ENTER / START	CLOCK	AUTO Time Set	NA																																																				
3	VENT Hi / Low / OFF (Vent On / Off)	TURBO (Vent Speed)	LIGHT	MAC & CHEESE	STOP / CLEAR	SOFTEN	MELT	MORE	NA	NA																																																				
4	SENSOR POPCORN	SENSOR COOK	SENSOR REHEAT	DEFROST (Auto Defrost)	EZ-ON (ADD30SEC)	HOT DOG	CHICKEN NUGGETS	LESS	NA	NA																																																				
Resistance value	When touched	When not touched																																																												
	Less than 400 ohms	More than 1 megohm																																																												

**NOTES:**

- A MICROWAVE ENERGY TEST MUST ALWAYS BE PERFORMED WHEN THE UNIT IS SERVICED FOR ANY REASON.
- MAKE SURE THE WIRE LEADS ARE IN THE CORRECT POSITION.
- WHEN REMOVING THE WIRE LEADS FROM THE PARTS, BE SURE TO GRASP THE CONNECTOR, NOT THE WIRES.

# 11. DISASSEMBLY INSTRUCTIONS

## IMPORTANT NOTES:

UNIT MUST BE DISCONNECTED FROM ELECTRICAL OUTLET WHEN MAKING REPAIRS, REPLACEMENTS, ADJUSTMENTS AND CONTINUITY CHECKS.

WHEN RECONNECTING THE WIRE LEADS TO ANY PART, MAKE SURE THE WIRING CONNECTIONS AND LEAD COLORS ARE CORRECTLY MATCHED ACCORDING TO THE OVERALL CIRCUIT DIAGRAM. (ESPECIALLY SWITCHES AND HIGH VOLTAGE CIRCUIT.)

## A. REMOVING POWER AND CONTROL CIRCUIT BOARD (Figures 1, 2 and, 3)

- (1) Remove a screw securing the control panel assembly to the oven cavity.
- (2) Remove the control panel with pushing it upward.
- (3) Remove the connectors (CN1, CN2, CN3, CN4, CN6, CN7, CN10, ) and wire leads (RY2, RY3) from the circuit board.

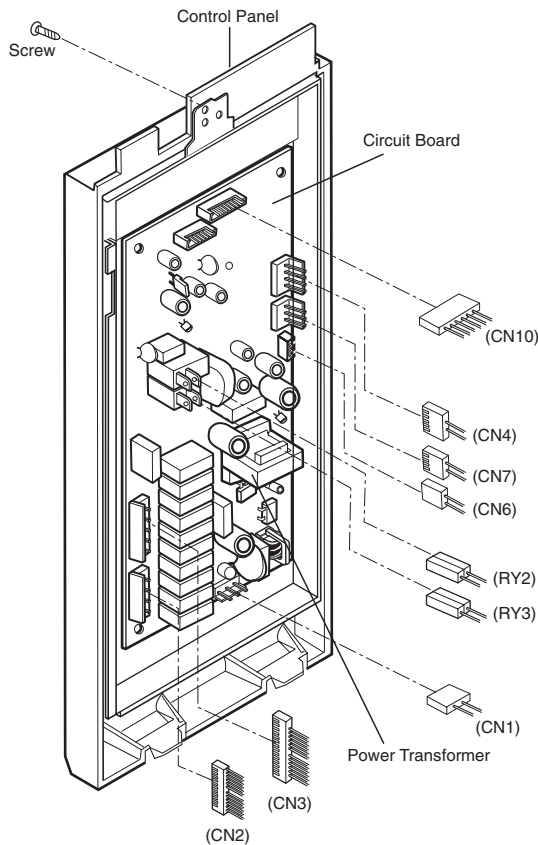


Figure 1

- (4) Remove 3 screws securing the circuit board.

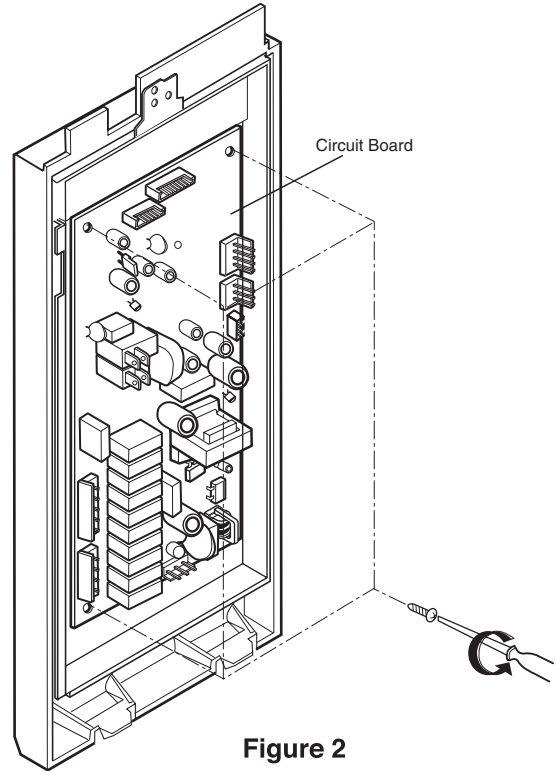


Figure 2

- (5) Remove the circuit board from the control bracket carefully.

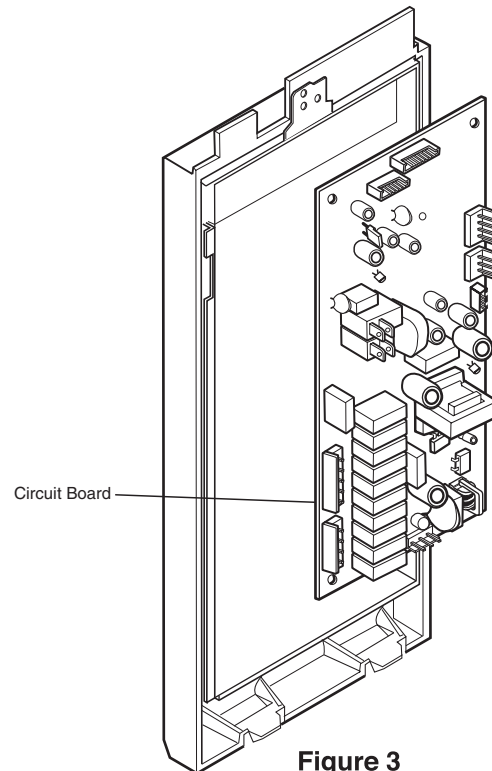


Figure 3

## HOW TO REMOVE THE F.P.C. CONNECTOR

Follow the steps below as illustrated in Figures 4 and 5 to remove the F.P.C. connector.

- (1) Hold the edges of the plastic fastener with thumb and forefinger.  
(Figure 4)
- (2) Lift up the lever of the plastic fastener from the terminal socket by lightly pressing the lever end with forefinger.  
(Figure 5)
- (3) Remove the F.P.C. connector from the terminal socket.

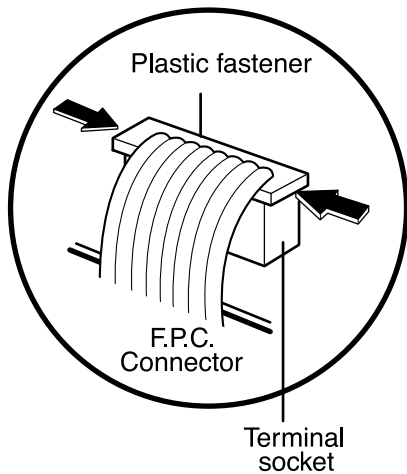


Figure 4

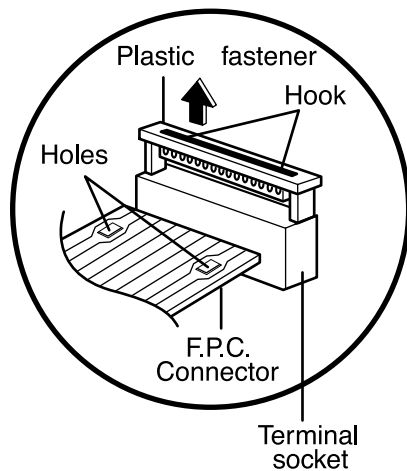


Figure 5

## HOW TO INSERT THE F.P.C. CONNECTOR

Follow the steps below as illustrated in Figures 6 and 7 to insert the F.P.C. connector.

- (1) Insert the F.P.C. connector into the terminal socket securely with the fingers.
- (2) Hold the plastic fastener with thumb and forefinger of the other hand, and push it slowly into the terminal socket. (Figure 6)

**NOTE:** When reconnecting the F.P.C. connector make sure that the holes on the F.P.C. connector are properly engaged with the hooks on the plastic fastener

- (3) Lock the level of the plastic fastener into the hook of the terminal socket securely by releasing the fingers.  
(Figure 7)

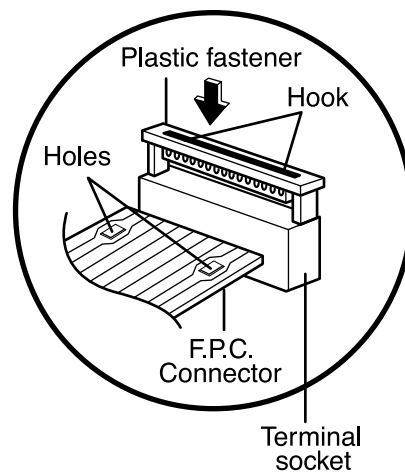


Figure 6

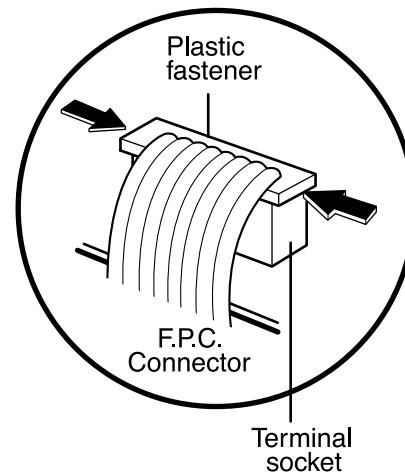


Figure 7

## B. REMOVING THE OUT CASE(Figure 8)

- (1) Remove the vent grille by removing one screw securing it to the outer case.
- (2) Remove three screws securing it to the air duct.
- (3) Remove one screw securing it to the front cavity.
- (4) Remove the mounting plate by turning two screws securing it to the outer case.
- (5) Remove three screws on the left central edge and three screws on the right central edge of the base plate.
- (6) Remove the fan bracket from the outer case by removing one screw securing it to the outer case and removing one screw securing it to the motor.
- (7) Remove four screws of the rear cavity.
- (8) Remove the power cord cover by remove one screw securing it to the outer case.
- (9) Remove the outer case with disconnecting power cord connector.

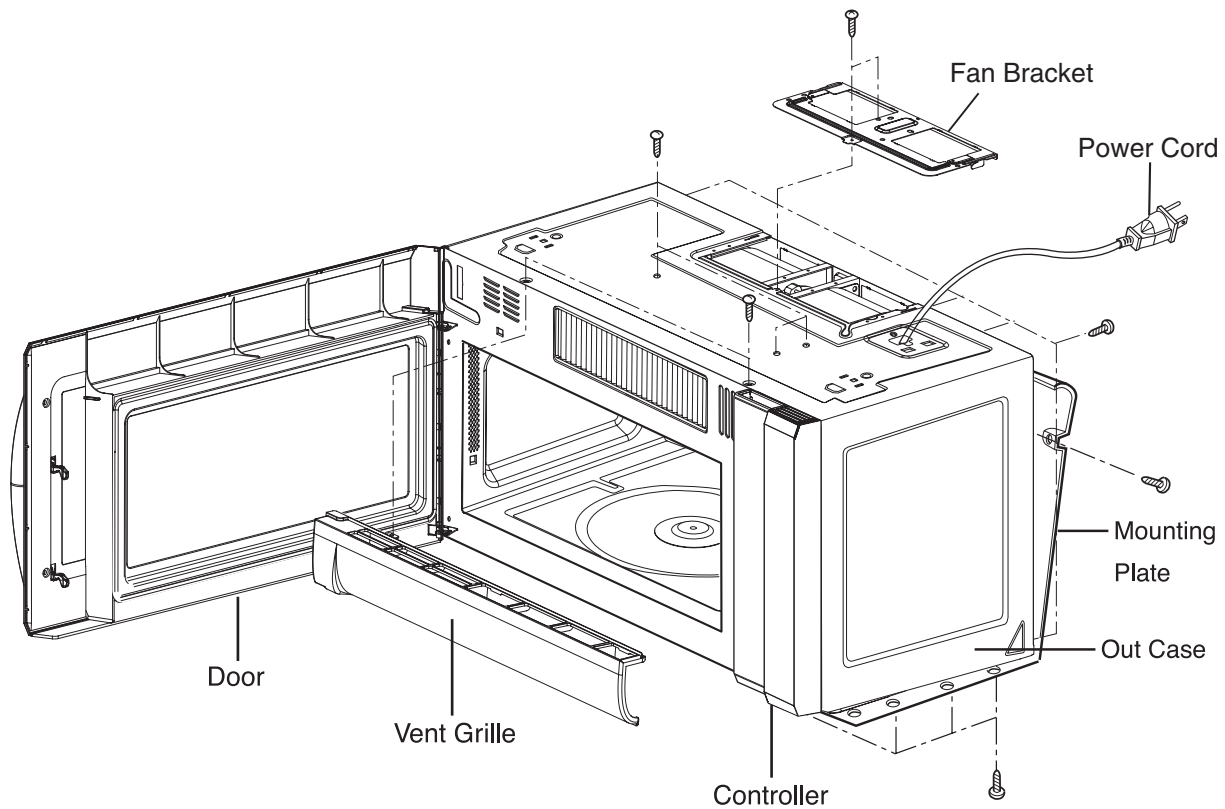


Figure 8

## C REMOVING THE DOOR INTERLOCK SWITCHES (Figures 9,10)

- (1) Disconnect the wire leads from the interlock switches.
- (2) Remove two screws securing the Latch Board.
- (3) Make necessary replacements and check microwave energy leakage according to ADJUSTMENT PROCEDURES on page 28.

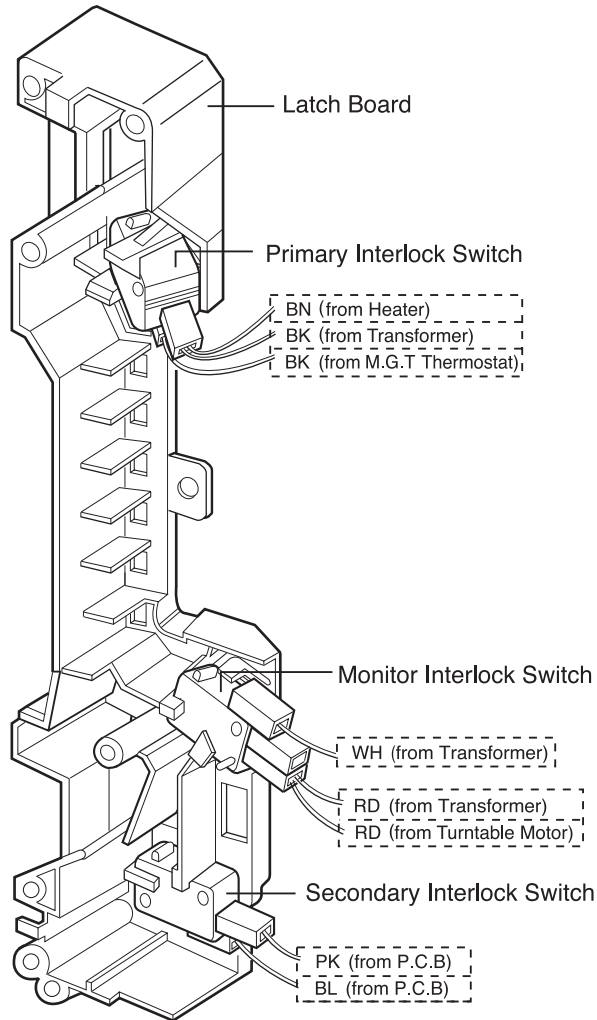


Figure 9

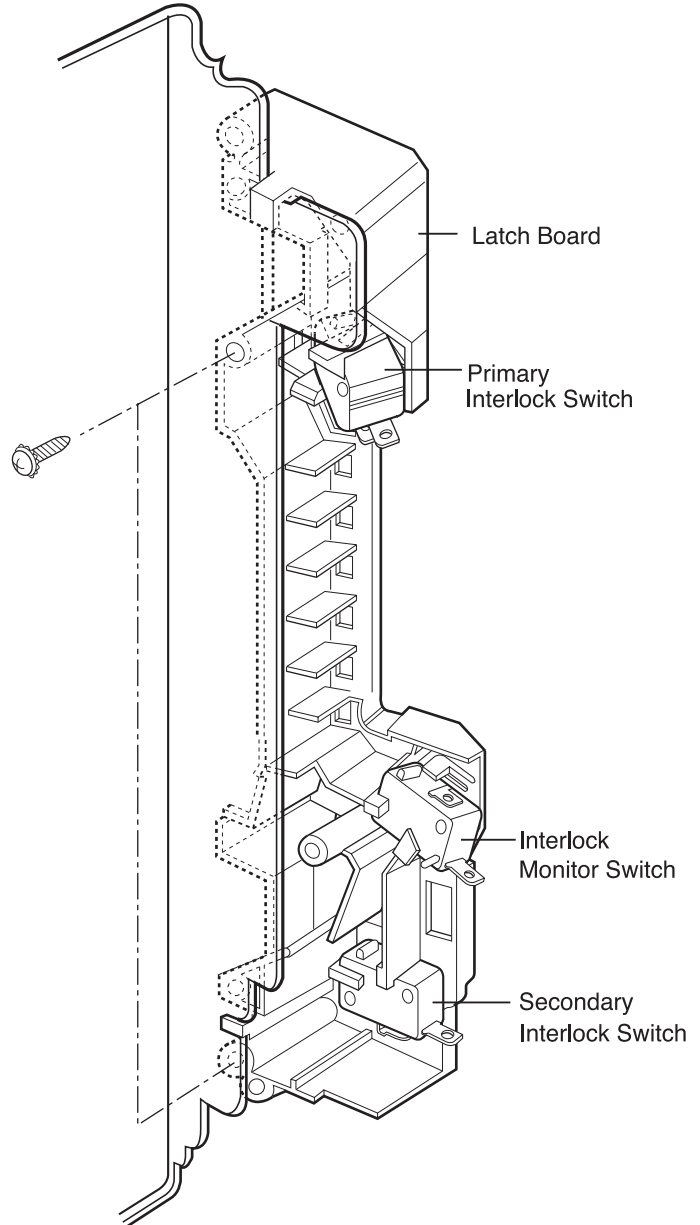


Figure 10

### WIRE COLOR

SYMBOL	COLOR
WH	WHITE
BK	BLACK
BN	BROWN
RD	RED
YL	YELLOW
PK	PINK
BL	BLUE
GY	GREY
GN	GREEN
N.P.	Not Provided

## D. REMOVING MAGNETRON

(Figures 11 Through 12)

- (1) Remove the vent grille by loosening two screws. (Figure 11)
- (2) Remove the outcase. See page 7-6.
- (3) Remove four tap tite screws securing the magnetron to the wave guide.
- (4) Remove the magnetron VERY CAREFULLY.

### NOTES:

- When removing the magnetron, make sure that its dome does not hit any adjacent parts, or it may be damaged.
- When replacing the magnetron, be sure to install the magnetron gasket in the correct position and be sure that the gasket is in good condition.
- After replacing the magnetron, check for microwave energy leakage with a survey meter. Check microwave energy leakage must be below the limit of  $5 \text{ mW/cm}^2$ . (All service adjustments should be made for minimum microwave energy leakage readings.)

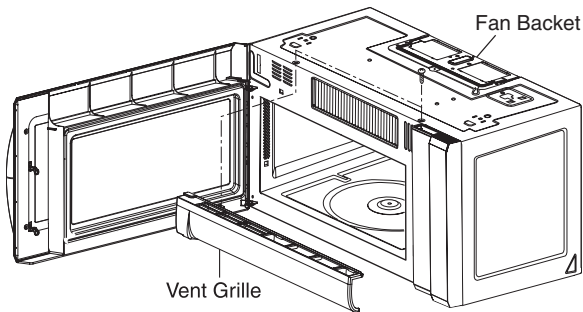


Figure 11

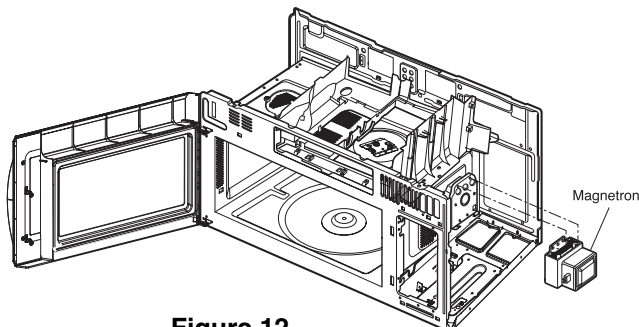


Figure 12

## E. REMOVING STIRRER FAN

(Figures 13 and 14)

- (1) Remove one rivet assembly securing it to the oven upper plate by using knife blade.
- (2) Pull out the stirrer fan cover.
- (3) Remove two rivets assembly securing it to the oven upper plate by using knife blade.
- (4) Remove the stirrer fan.

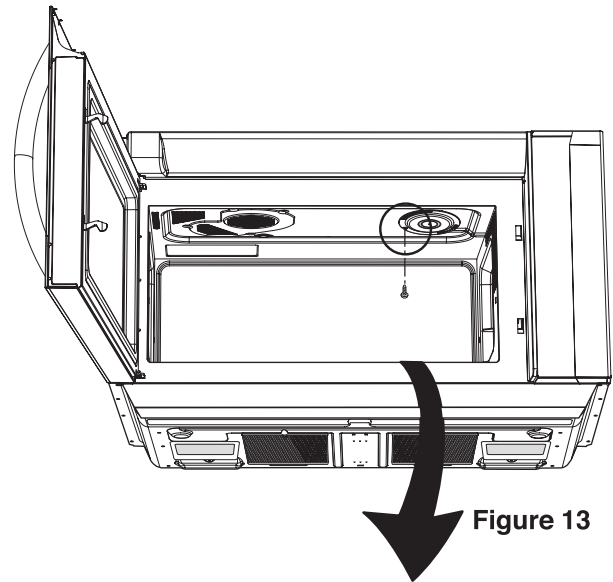


Figure 13

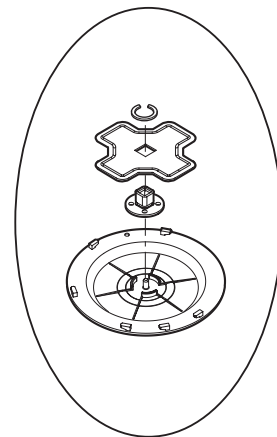


Figure 14

## F. REMOVING DOOR (Figure 15)

- (1) Remove the vent grille by two screws securing it to the outcase loosening.
- (2) Lift up and draw the door.

### NOTES:

- After replacing the door, be sure to check that the primary interlock switch, the secondary interlock switch and the interlock monitor switch is in good operating normally.
- After replacing the door, check for microwave energy leakage with a survey meter. Microwave energy leakage must be below the limit of  $5\text{mW}/\text{cm}^2$ . (With a 275 ml water load).

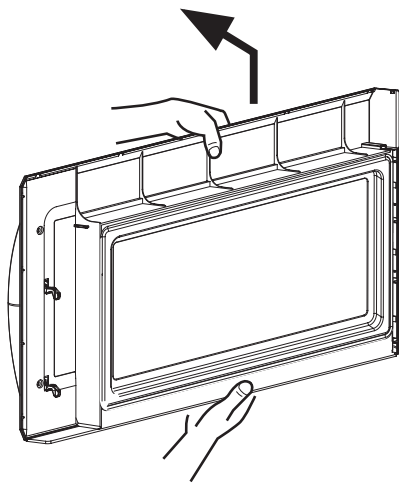


Figure 15

## G. DISASSEMBLING DOOR (Figure 16)

- (1) Remove the dielectric choke by using knife blade or small screw driver, etc.
- (2) Remove two screws securing it to the door handle.

**CAUTION: Be careful not to damage door seal plate with the screwdriver.**

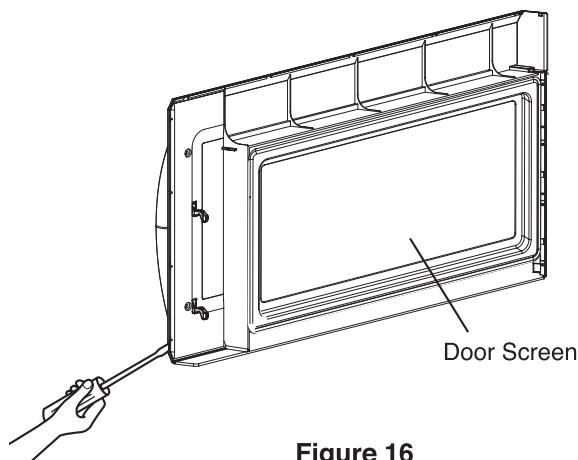
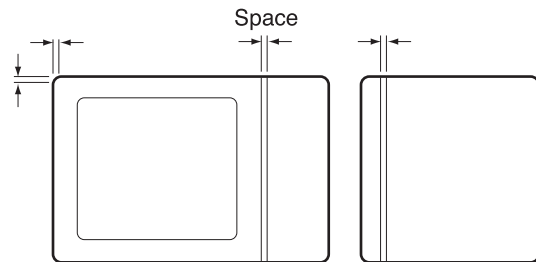


Figure 16

## H. ASSEMBLING DOOR

- (1) When mounting the door assembly to the oven assembly, be sure to adjust the door assembly parallel to the chassis. Also adjust so the door has no play between the inner door surface and oven frame assembly. If the door assembly is not mounted properly, microwaves may leak from the clearance between the door and the oven.



## I. REMOVING THE VENTILATION MOTOR

- (1) Remove the mounting plate by loosening mounting plate screws (1 or 2 screws) securing it to the back plate. (See Figure 17)
- (2) Remove the fan bracket loosening two screw loosening two screw securing the ventilation motor and back plate. (See Figure 18-a)

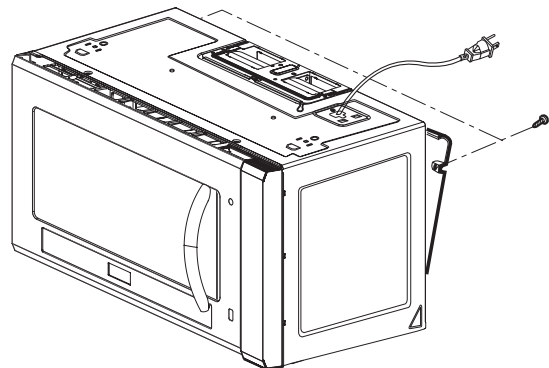


Figure 17

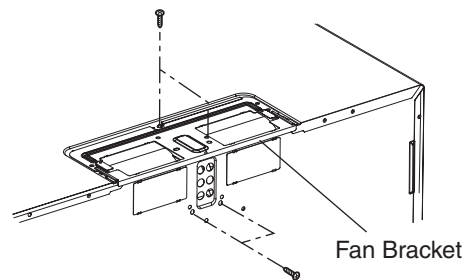


Figure 18-a



- (3) Carefully pull the ventilation motor assembly out of the microwave oven. (See Figure 18-b)

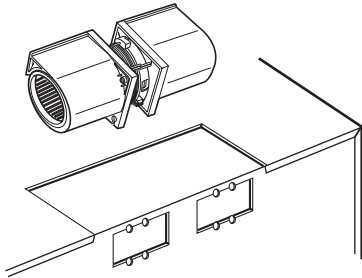


Figure 18-b

## J. REMOVING THE TURNTABLE MOTOR

- (1) Remove the glass tray and rotating ring.
- (2) Remove the turntable shaft VERY CAREFULLY with a hand. (Figure 19)
- (3) Remove the base plate by removing 8 screws securing it to the oven cavity. (Figure 20)
- (4) Disconnect the leadwire from the turntable motor terminals.
- (5) Remove the 2 screw securing the turntable motor to the oven cavity assembly. (Figure 21)

### NOTES:

- Remove the leadwire from the turntable motor VERY CAREFULLY.
- Be sure to grasp the connector, not the wires, when removing.

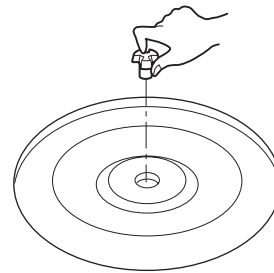


Figure 19

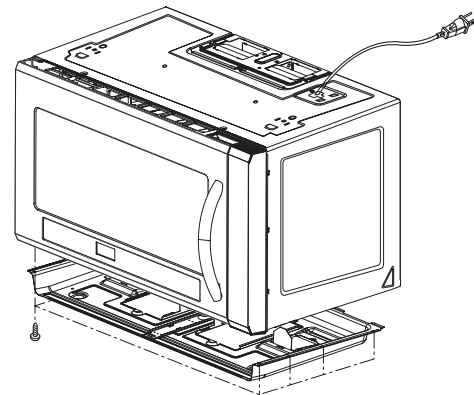


Figure 20

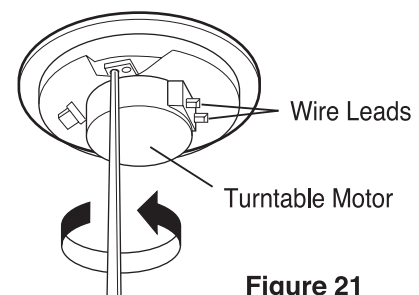


Figure 21

## K. REPLACING THE HUMIDITY SENSOR

- (1) Remove the sensor by removing two screws in front of the lamp cover & removing one screw securing it to the air duct. (See Figure 22)
- (2) Mount the new humidity sensor to the air duct.

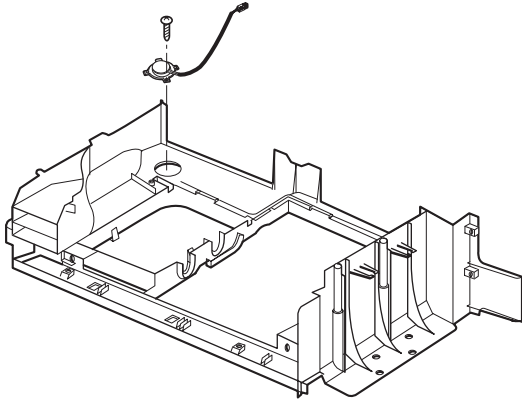


Figure 22

## L. REMOVING CONVECTION HEATER AND THERMISTOR (Figure 23)

- (1) Remove the out case.
- (2) Remove the air duct by removing six screws securing it to the oven front plate, guide air and glasswool-L cover.
- (3) Disconnect the wire leads of fan motor.
- (4) Disconnect the wire leads of heater and C-motor.
- (5) Remove the thermistor by removing one screw.
- (6) Remove the four net screws securing chamber assembly.
- (7) Lift the chamber assembly from the oven cavity.
- (8) Remove three screws securing the heater of the chamber assembly.
- (9) Lift the convection heater from the chamber assembly.

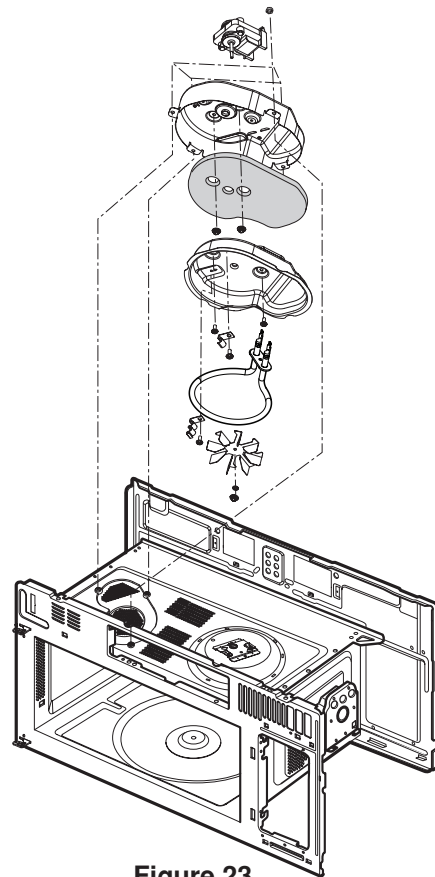
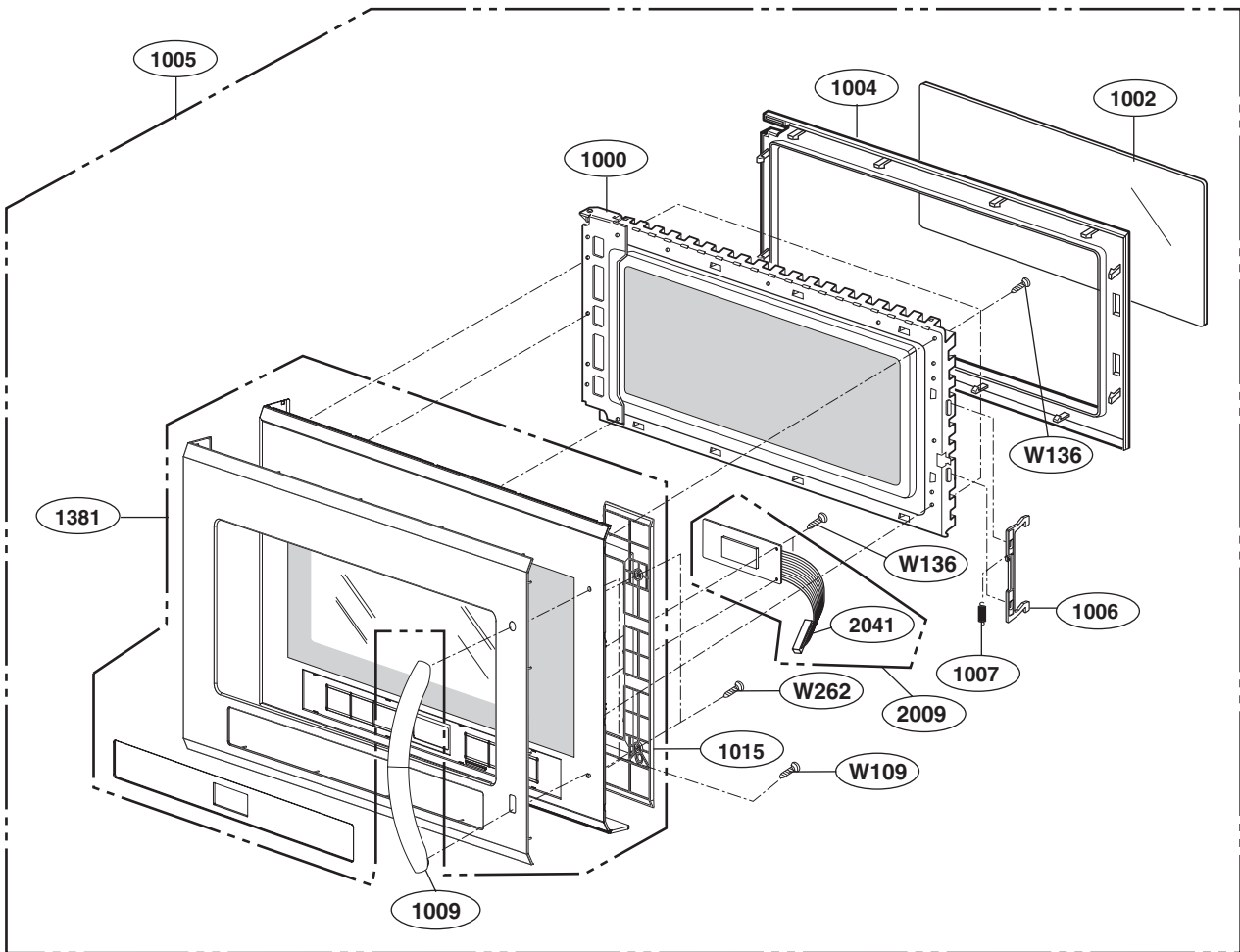


Figure 23

# DOOR PARTS (II)

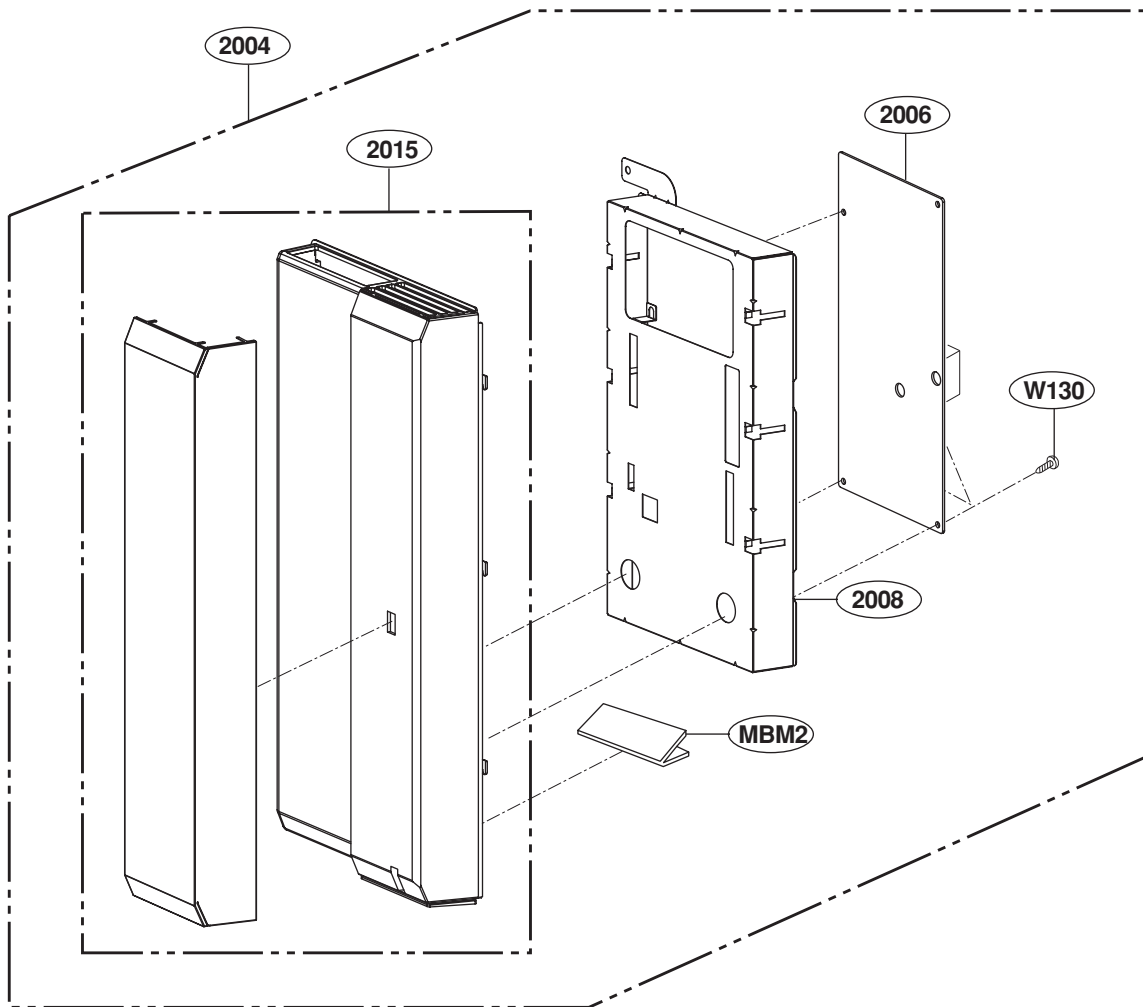
FOR MODELS: LMHM2017ST



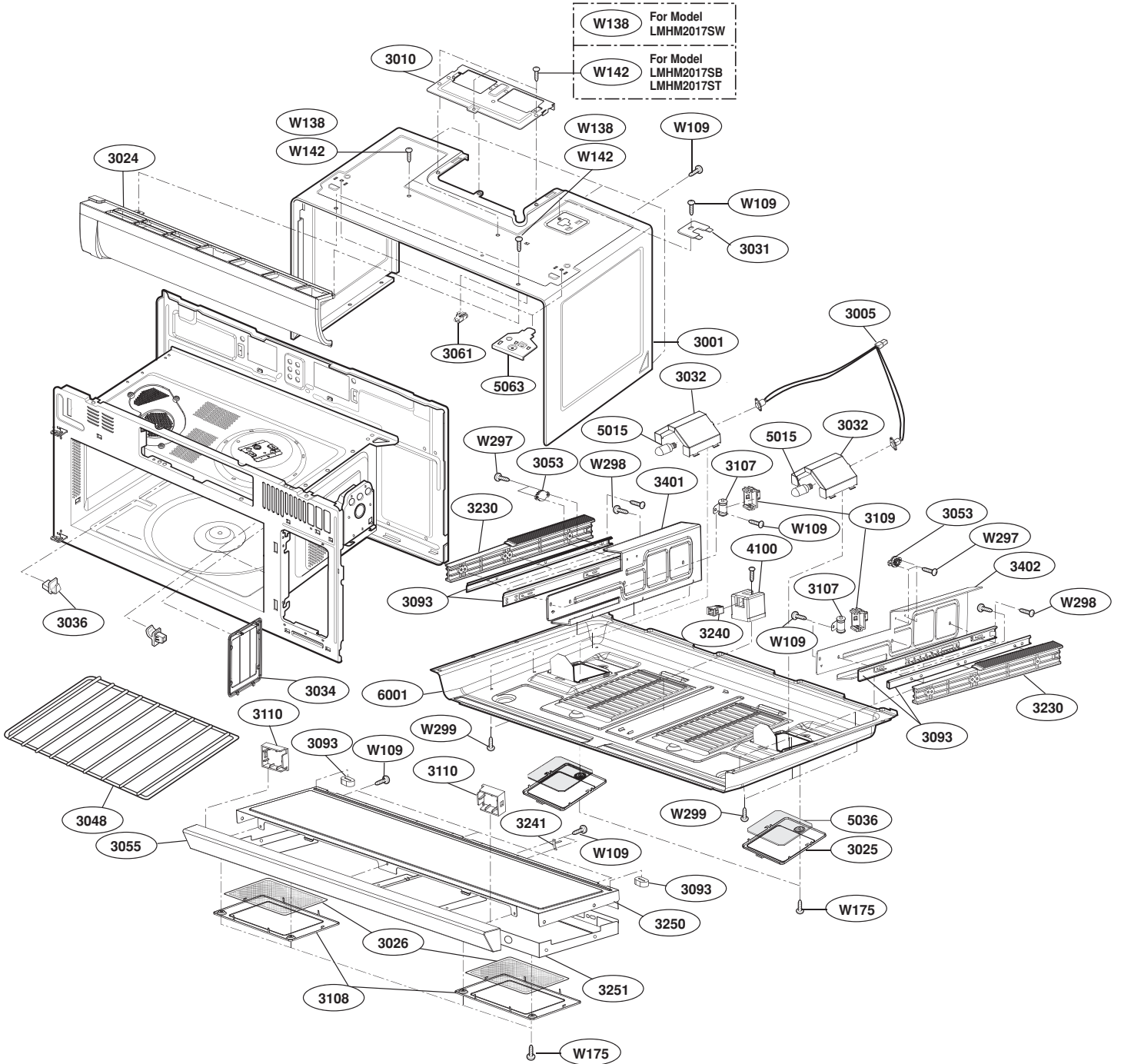
# SPECIFICATIONS

## CONTROLLER PARTS (II)

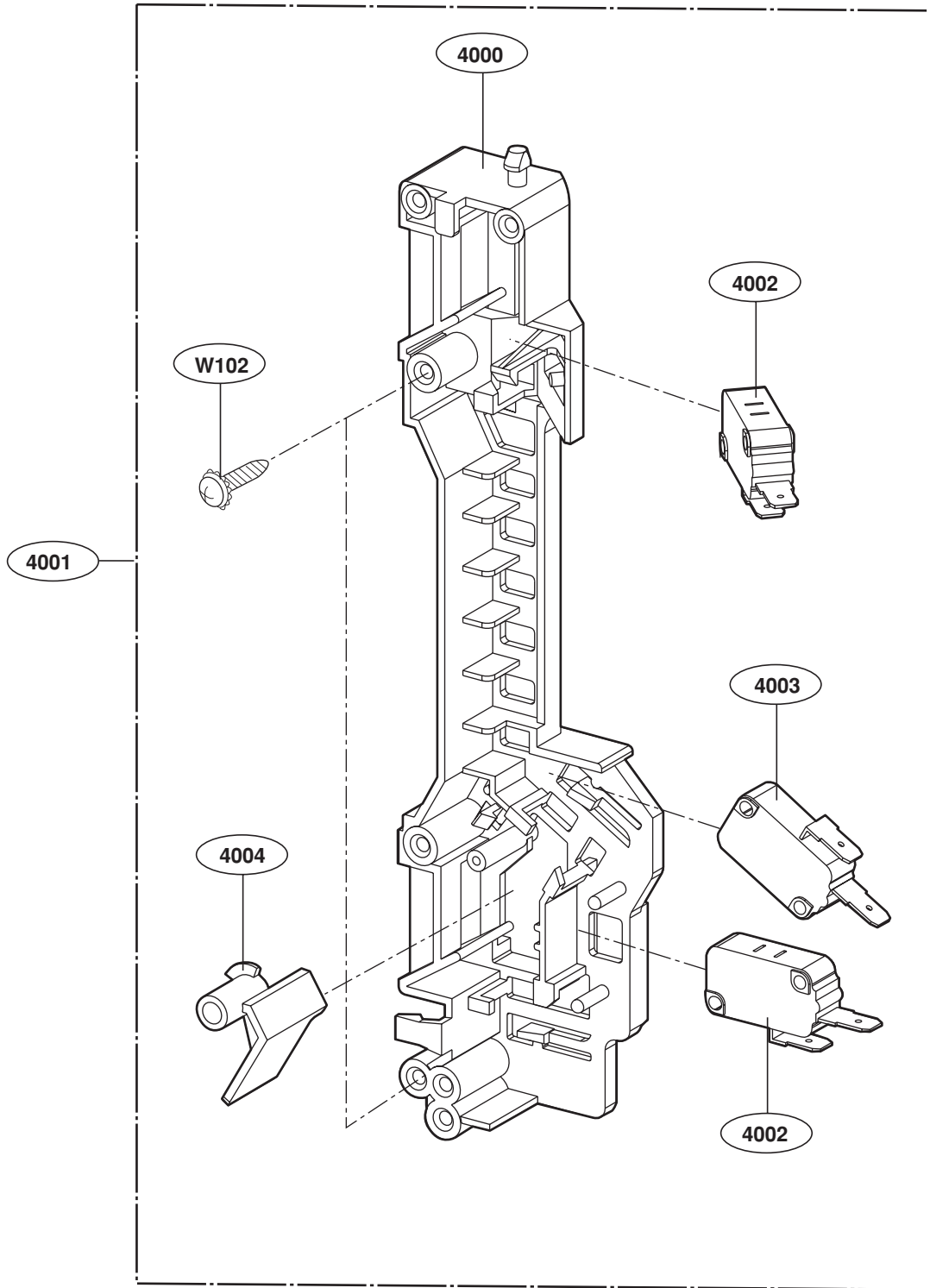
FOR MODELS: LMHM2017ST



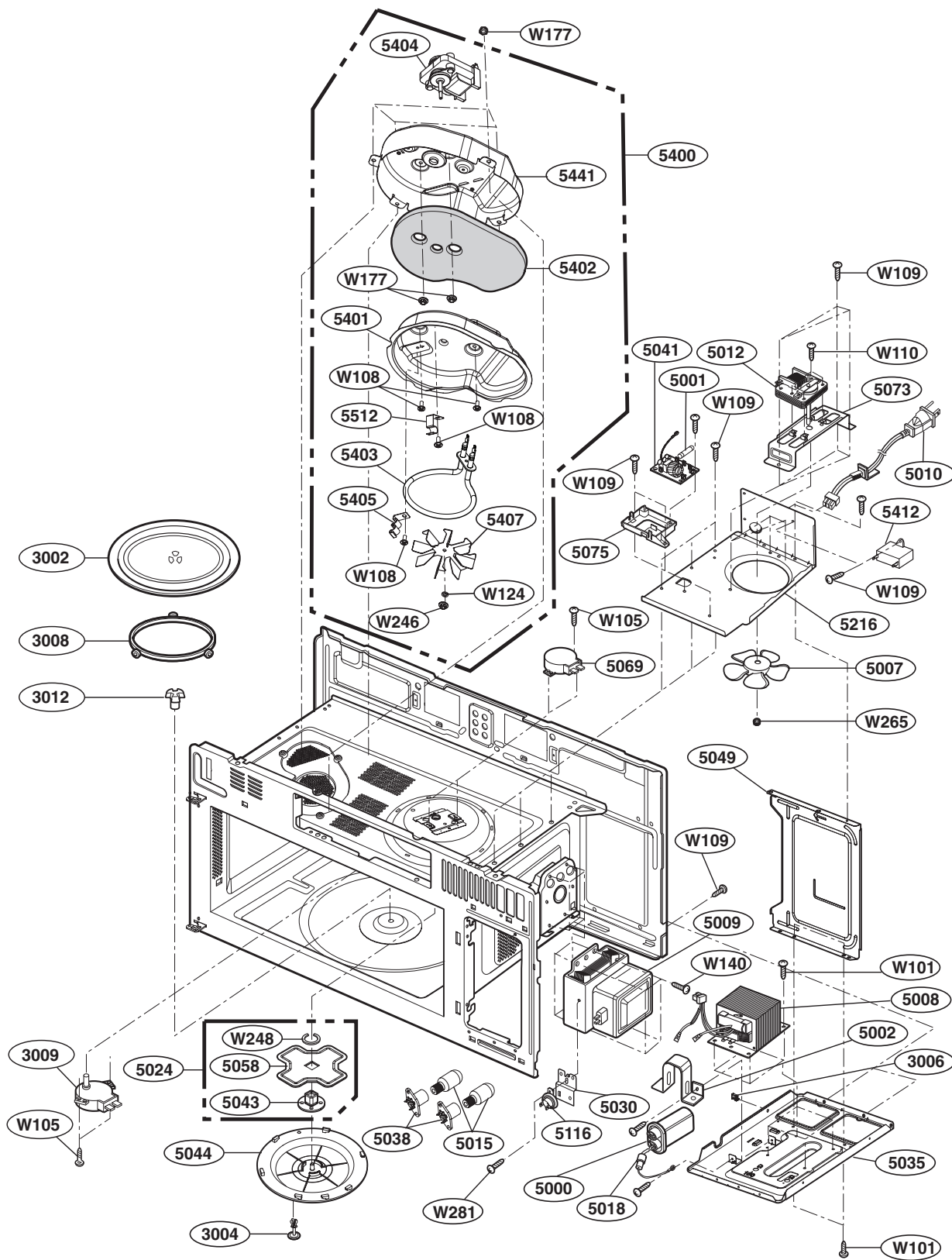
# OVEN CAVITY PARTS



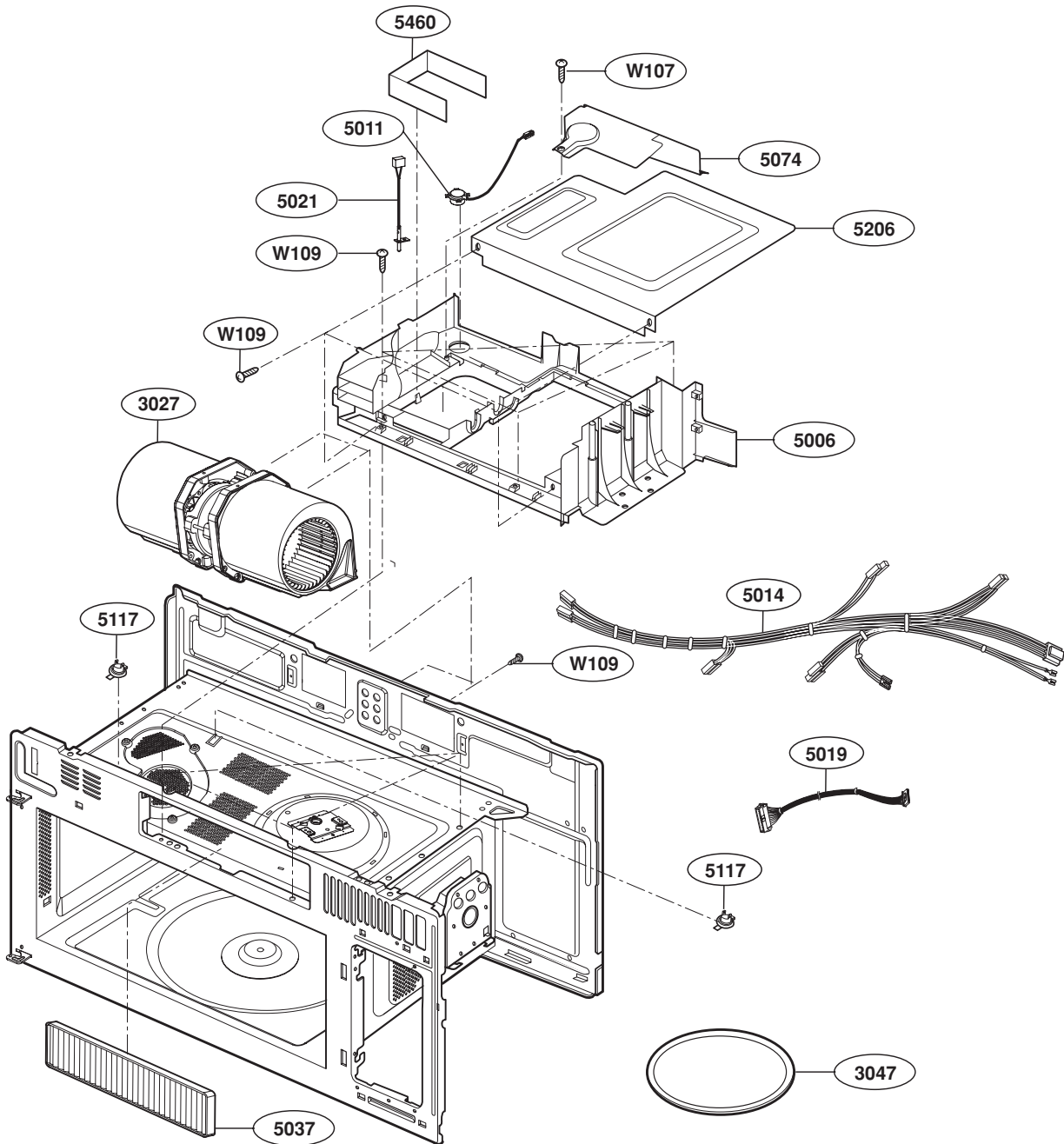
# LATCH BOARD PARTS



# INTERIOR PARTS (I)



# INTERIOR PARTS (II)





# INSTALLATION PARTS

