

This Owner's Manual is provided and hosted by [Appliance Factory Parts](#).



# Broil-Mate 7364-64 Owner's Manual

[Shop genuine replacement parts for Broil-Mate 7364-64](#)



[Find Your Broil-Mate Grill Parts - Select From 682 Models](#)

----- Manual continues below part list -----

## Available Replacement Parts for Broil-Mate 7364-64

|                            |  |
|----------------------------|--|
| <a href="#">03340</a>      | spark generator READ ADD. INFO           |
| <a href="#">12411</a>      | burner, pipe, ss, 16.5 x 1; BBQ Grillwar |
| <a href="#">66662</a>      | grid, ci, 19 x 25; Chb                   |
| <a href="#">94641</a>      | heat plate, porc stl, 16.4375 x 6.125; G |
| <a href="#">04641</a>      | electrode; Grill Pro                     |
| <a href="#">115-2300-0</a> | Cooking Grid, Porcelain Coated CI EACH   |

# OMC

ASSEMBLY MANUAL & PARTS LIST

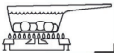
MANUEL DE MONTAGE & LISTE DE PIÈCES



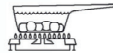
**GRILLPRO**  
226454  
**STERLING.6**  
526454  
**broil-mate™**  
726454



**GRILLPRO**  
236454  
**STERLING.6**  
536454  
**broil-mate™**  
736454



**GRILLPRO**  
226464  
**STERLING.6**  
526464  
**broil-mate™**  
726464



**GRILLPRO**  
236464  
**STERLING.6**  
536464  
**broil-mate™**  
736464

RETAIN FOR FUTURE REFERENCE

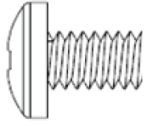
VEUILLEZ CONSERVER POUR REFERENCE ULTERIEURE

1-800-265-2150

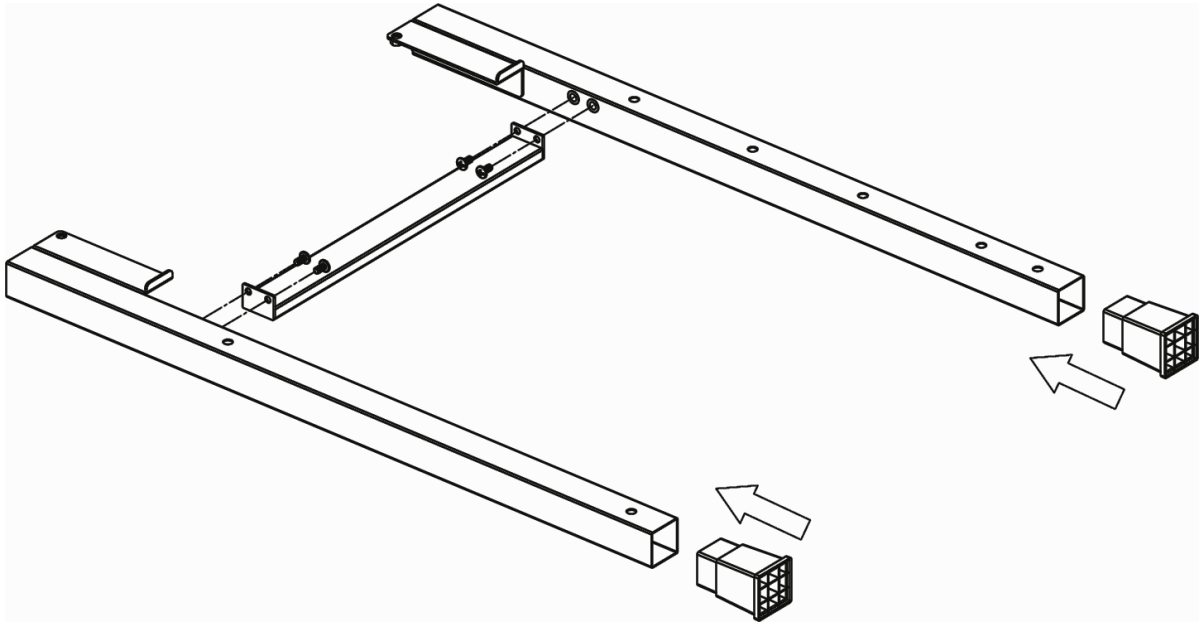
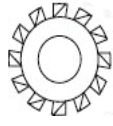
[info@omcbbq.com](mailto:info@omcbbq.com)

1

(4)

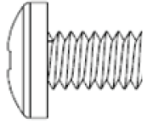


(4)

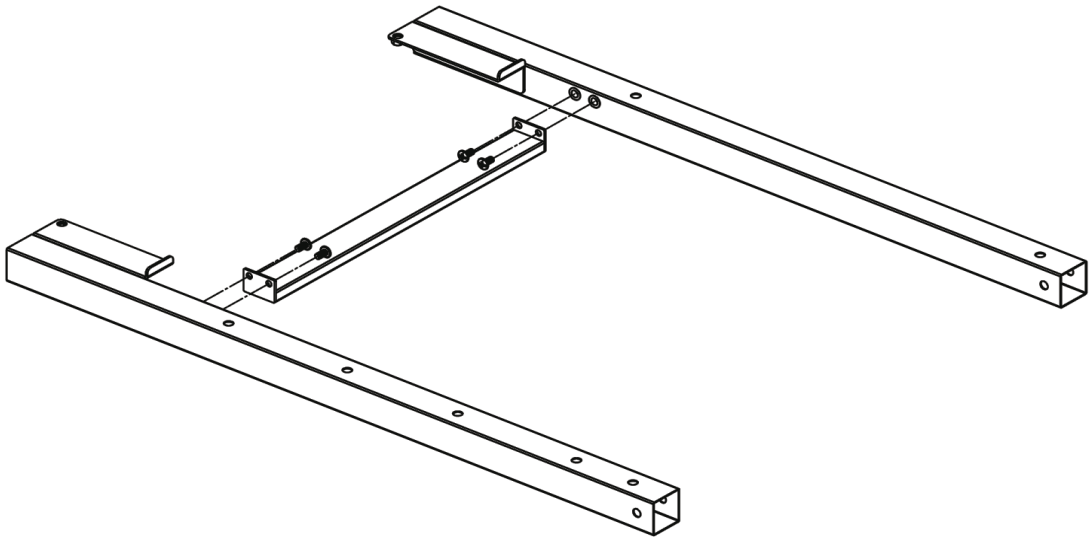


2

(4)

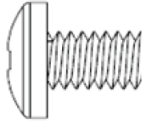


(4)

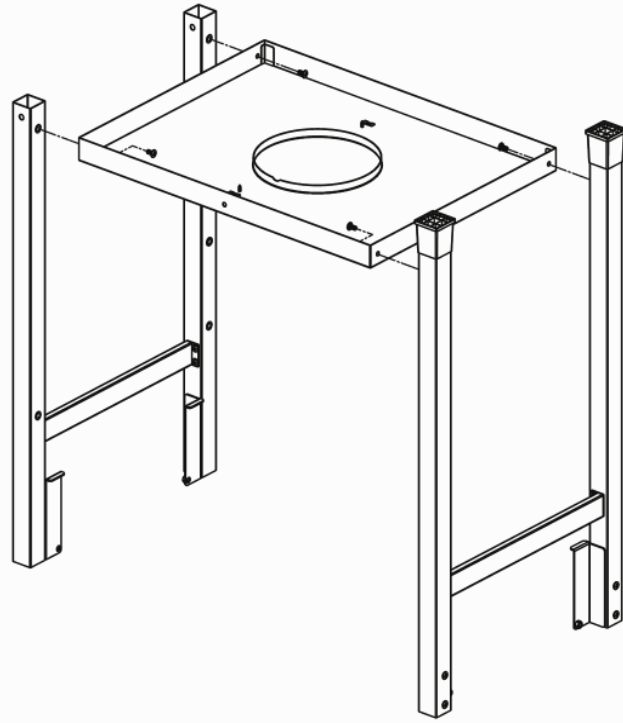
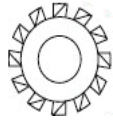


**3**

(4)

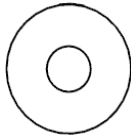


(4)

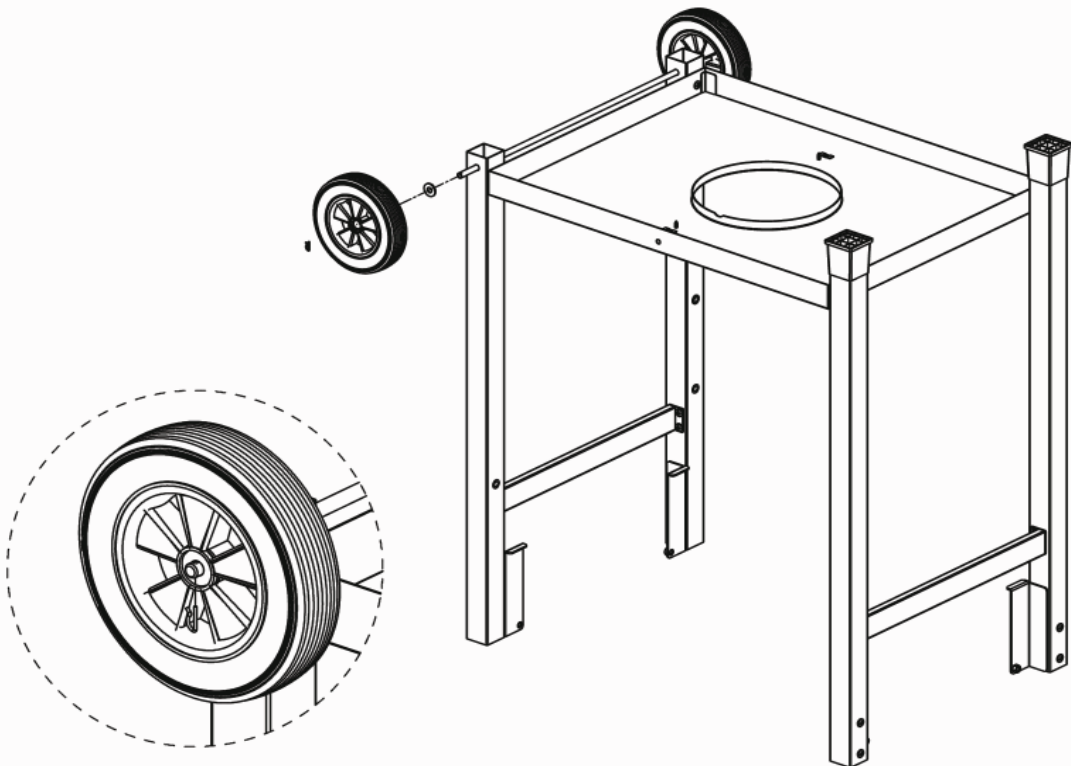
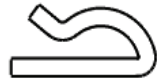


**4**

(2)

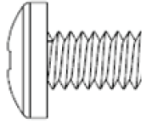


(2)

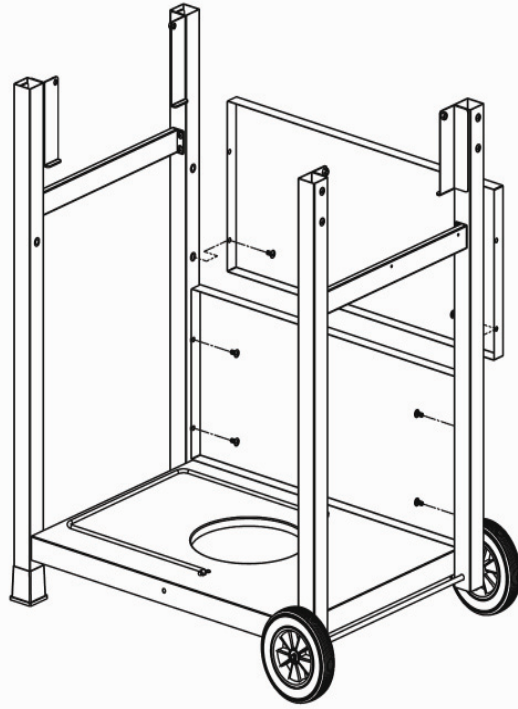


5

(6)

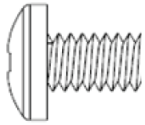


(6)

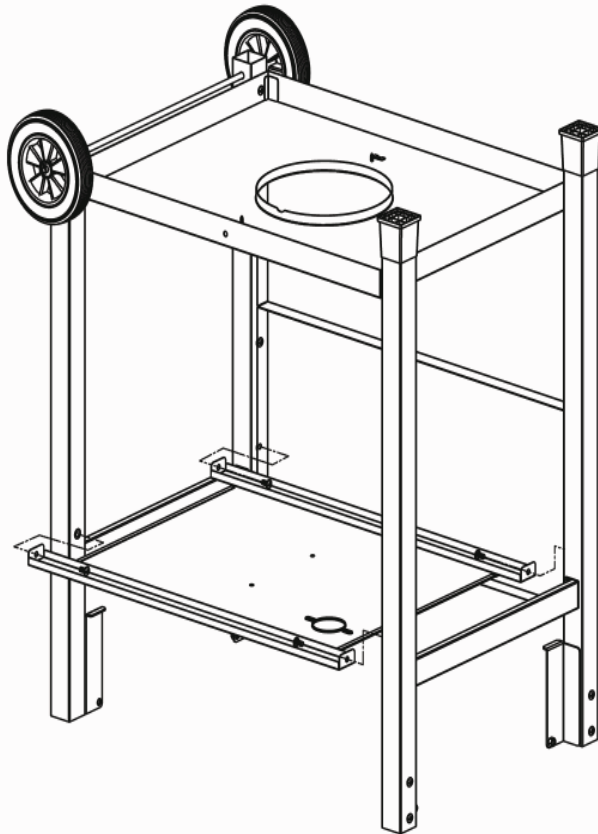


6

(4)

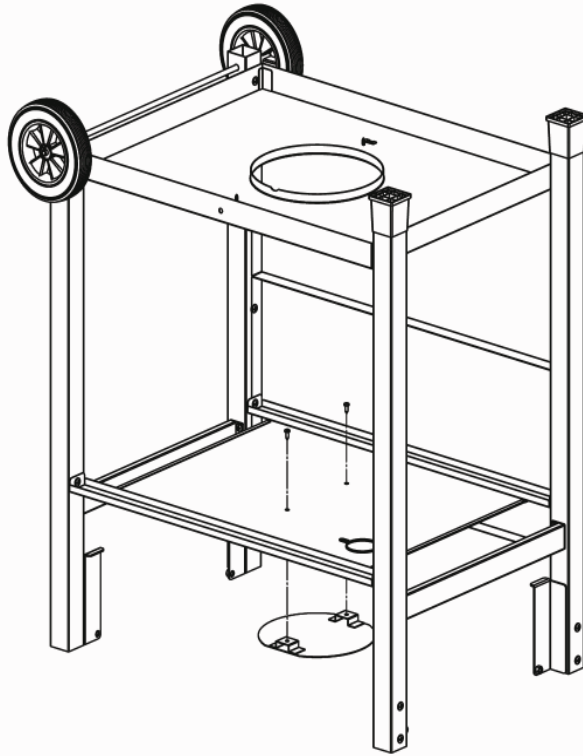


(4)

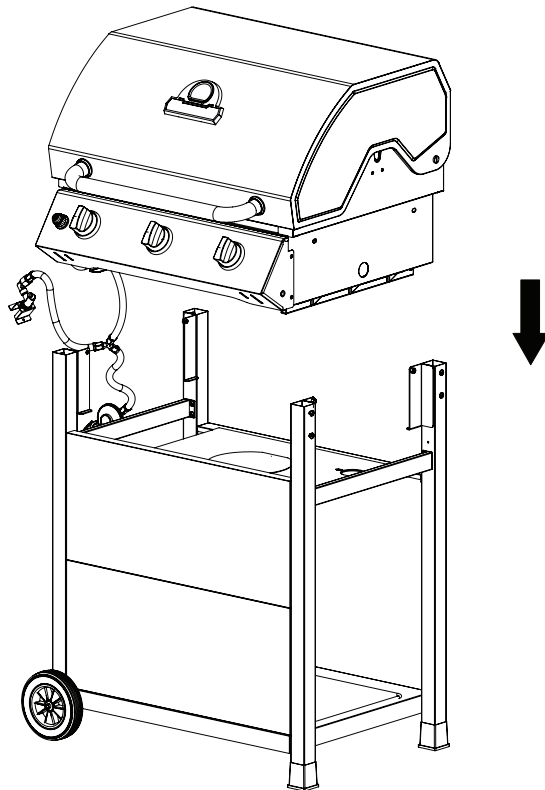


7

(2)

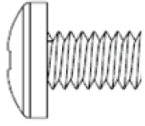


8

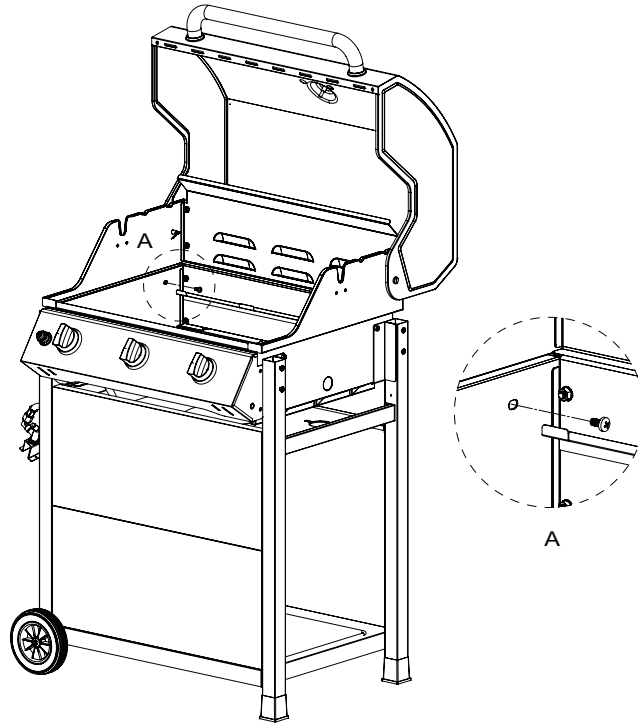
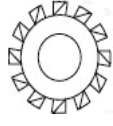


9

(4)

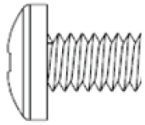


(4)

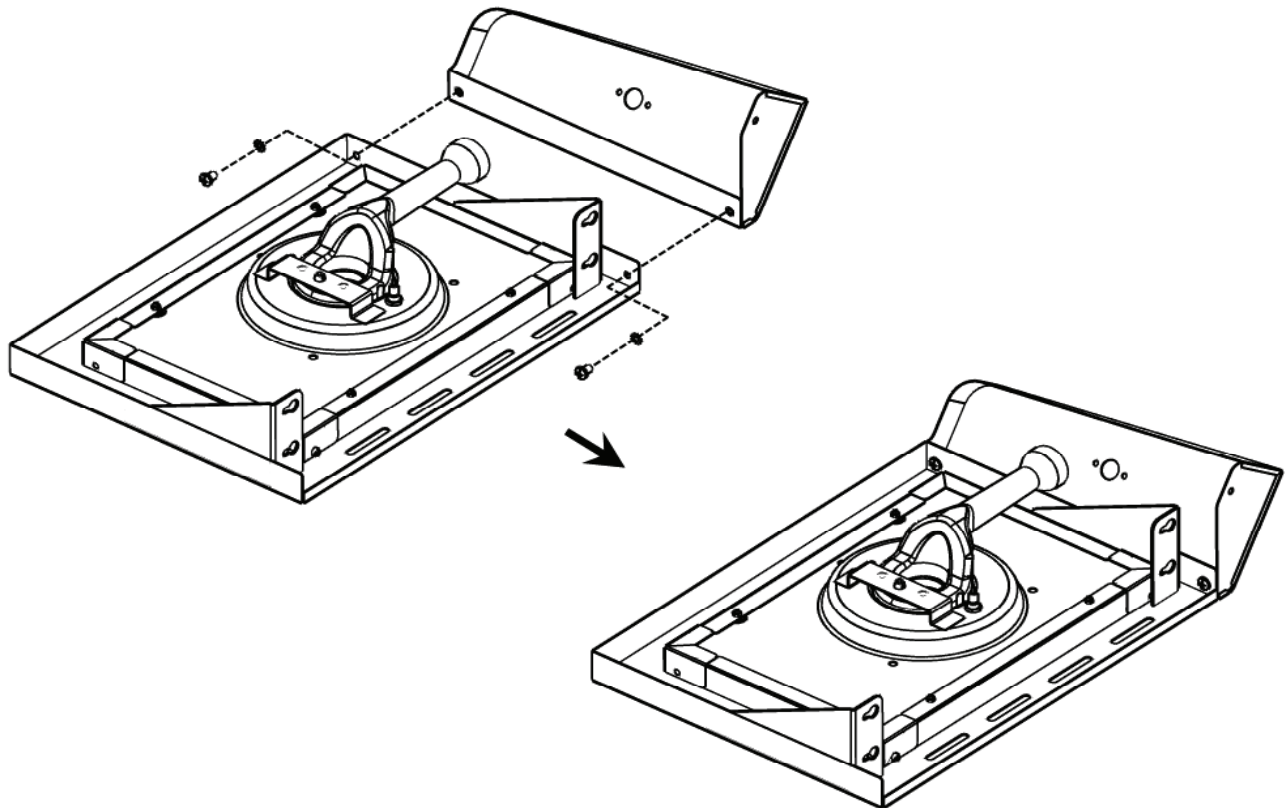


10

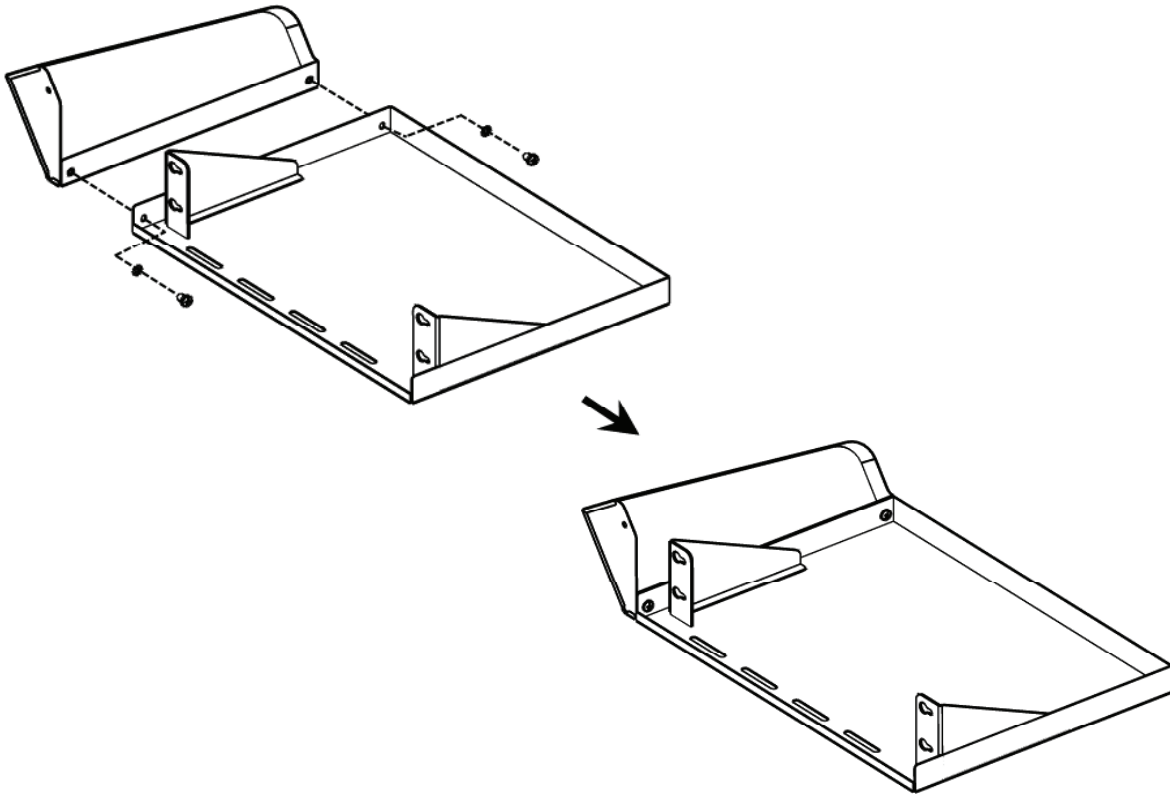
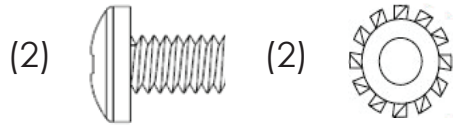
(2)



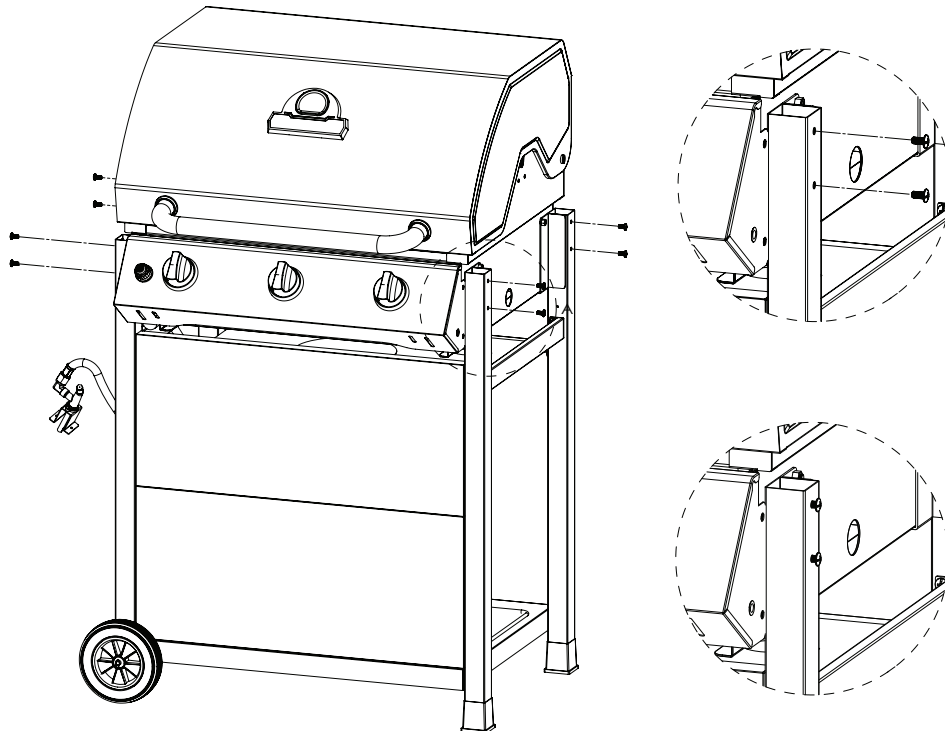
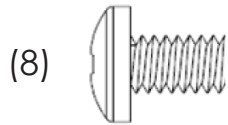
(2)



11

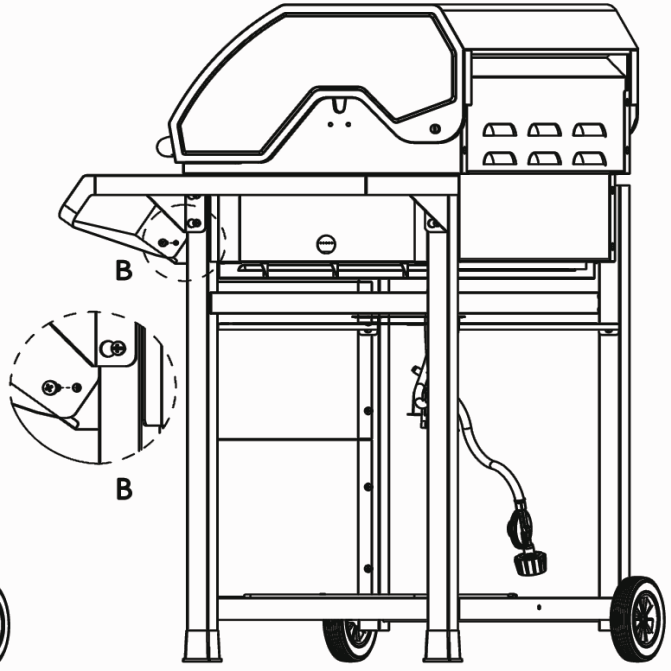
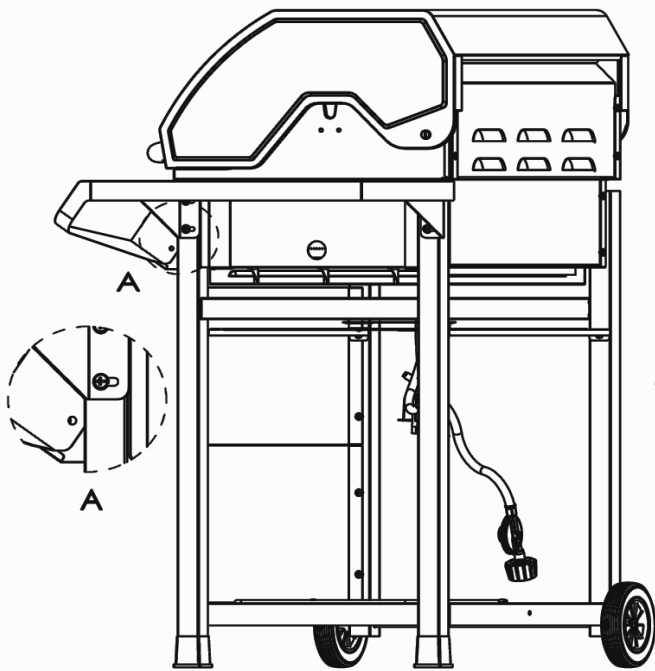
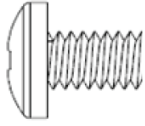


12



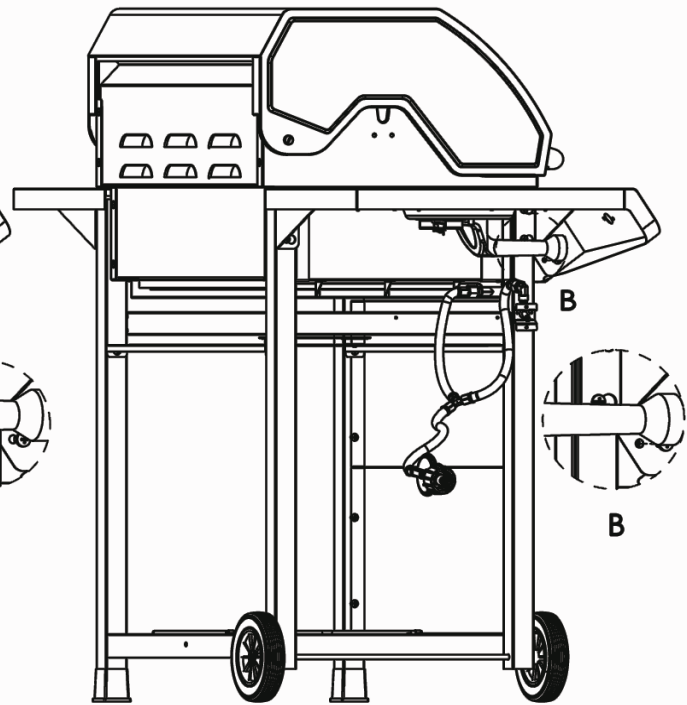
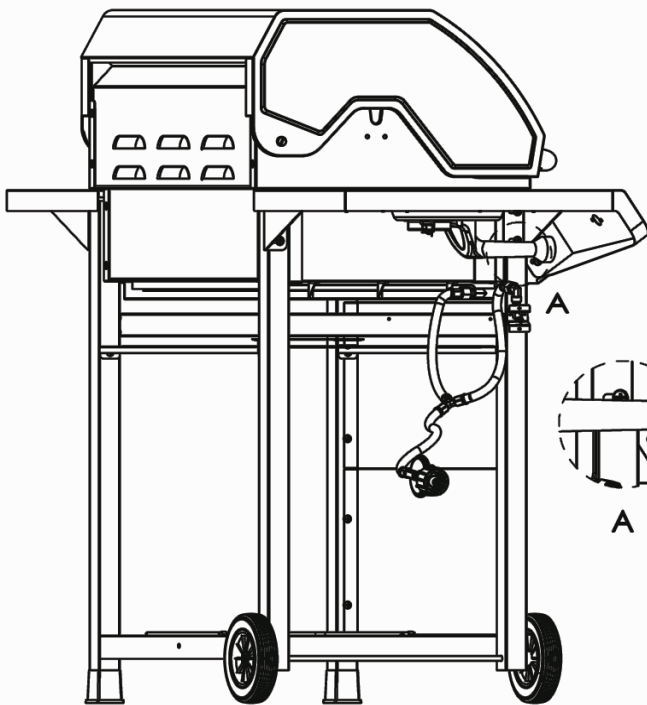
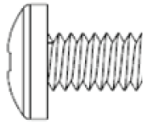
13

(1)

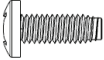


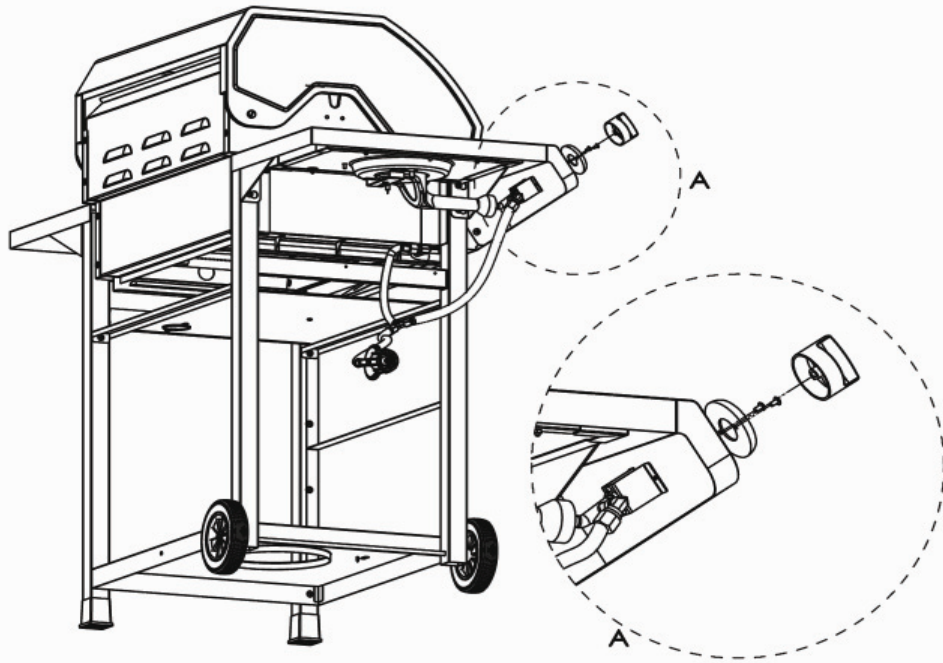
14

(1)



15

(2) 

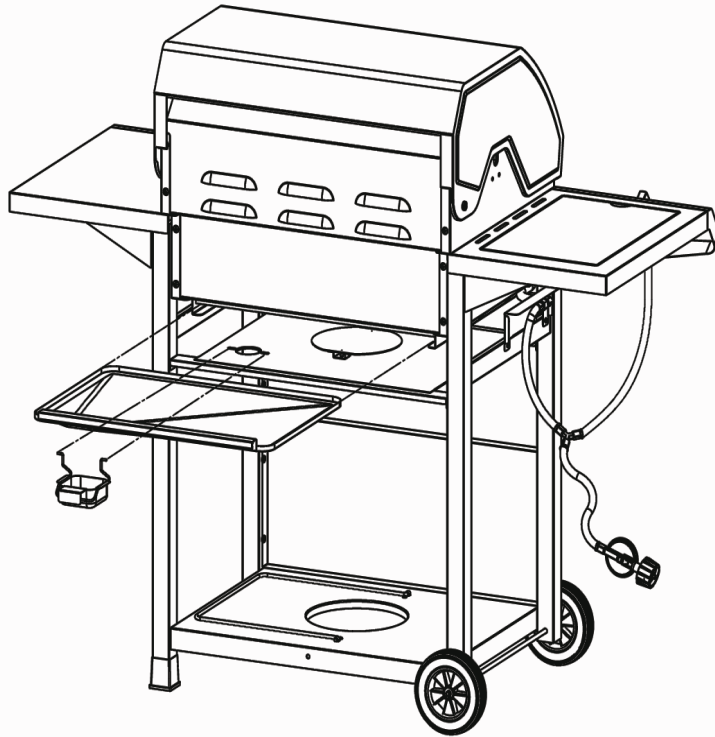


16

(2) 

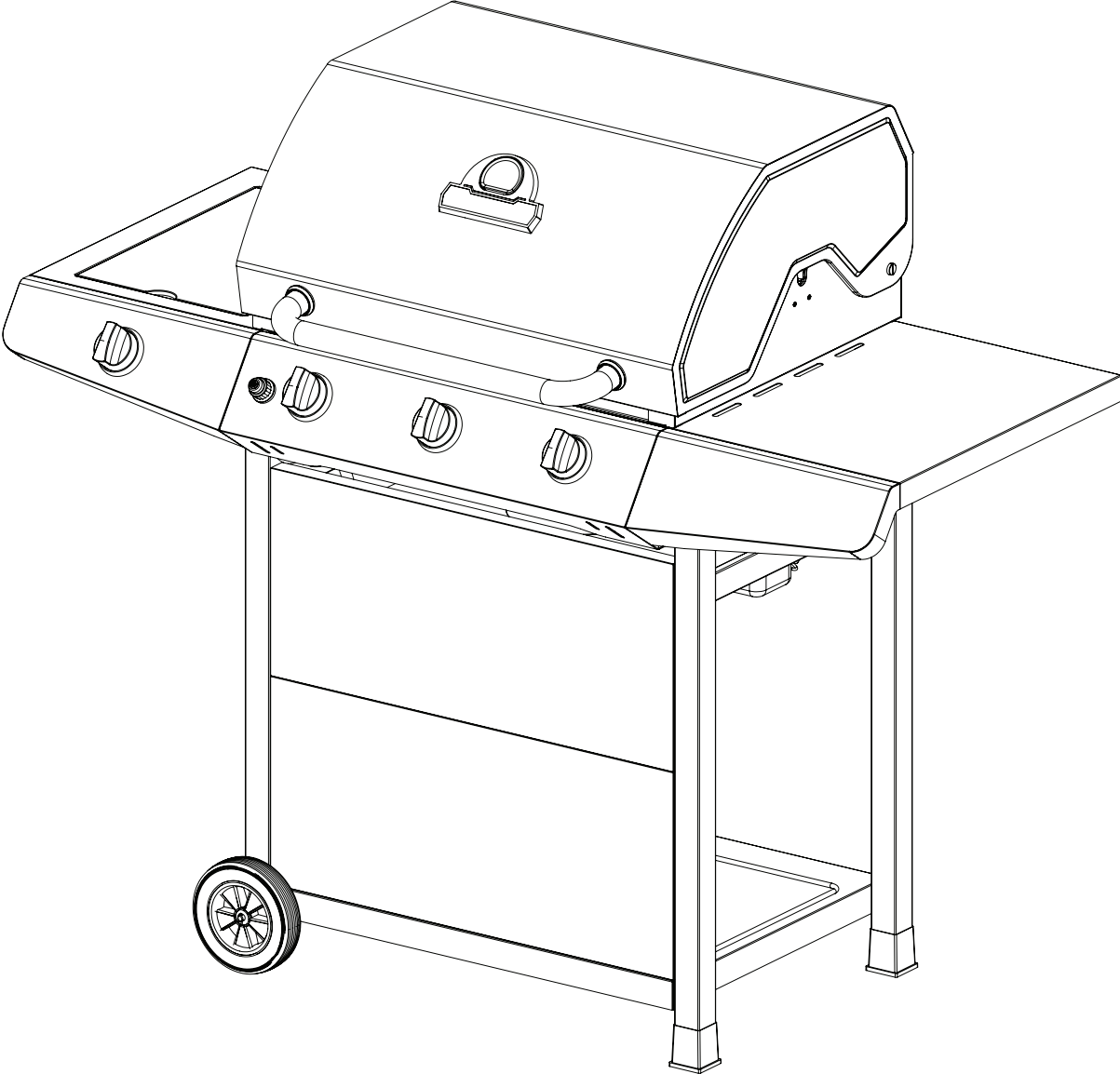


17



18





## Parts List / Liste des pieces

| KEY | ITEM #     | DESCRIPTION                                      | DESCRIPTION  | 229454 | 529454 | 729454 | 239454 | 539454 | 739454 | 229464 | 529464 | 729464 | 239464 | 539464 | 739464 | 739464G |
|-----|------------|--|--|--------|--------|--------|--------|--------|--------|--------|--------|--------|--------|--------|--------|---------|
| 1   | 958-C503   | LID ASSY-WELDED BLACK PORCELAIN                  | COUVERCLE ASSEMBLAGE - ACIER ÉMAILLÉ NOIR                      | 1      | 1      | 1      |        |        |        | 1      | 1      | 1      |        |        |        |         |
|     | 958-C502   | LID ASSY-WELDED SS                               | COUVERCLE ASSEMBLAGE - EN ACIER INOXYDABLE                     |        |        |        | 1      | 1      | 1      |        |        |        | 1      | 1      | 1      | 1       |
| 2   | 24009-936  | LID HANDLE RING                                  | CADRAN DE POIGNÉE  | 2      | 2      | 2      | 2      | 2      | 2      | 2      | 2      | 2      | 2      | 2      | 2      | 2       |
| 3   | 338-C503   | LID HANDLE                                       | POIGNEE DU COUVERCLE   | 1      | 1      | 1      | 1      | 1      | 1      | 1      | 1      | 1      | 1      | 1      | 1      | 1       |
| 4   | 10571-6    | HEAT INDICATOR                                   | INDICATEUR DE CHALEUR  | 1      | 1      | 1      | 1      | 1      | 1      | 1      | 1      | 1      | 1      | 1      | 1      | 1       |
| 5   | 10081-BM65 | NAMEPLATE BROILMATE                              | PLAQUE D'IDENTIFICATION BROILMATE                              |        |        | 1      |        |        | 1      |        |        | 1      |        |        | 1      | 1       |
|     | 10081-S65  | NAMEPLATE STERLING                               | PLAQUE D'IDENTIFICATION STERLING                               |        | 1      |        |        | 1      |        |        | 1      |        |        | 1      |        |         |
|     | 10081-GP60 | NAMEPLATE GRILLPRO                               | PLAQUE D'IDENTIFICATION GRILLPRO                               | 1      |        |        | 1      |        |        | 1      |        |        | 1      |        |        |         |
| 6   | 390-C507B  | SIDE BURNER COVER - BLACK                        | COUVERCLE DE BRÛLEUR LATÉRAL - NOIR                            |        |        |        |        |        |        | 1      | 1      | 1      |        |        |        |         |
|     | 390-C507   | SIDE BURNER COVER - SILVER                       | COUVERCLE DE BRÛLEUR LATÉRAL - ARGENT                          |        |        |        |        |        |        |        |        |        | 1      | 1      | 1      | 1       |
| 7   | 225-C503   | SIDE BURNER GRID                                 | GRILLE - BRULEUR LATERAL                                       |        |        |        |        |        |        | 1      | 1      | 1      | 1      | 1      | 1      | 1       |
| 8   | 390-C502   | SIDE BURNER                                      | BRÛLEUR LATÉRAL  |        |        |        |        |        |        | 1      | 1      | 1      | 1      | 1      | 1      | 1       |
| 9   | 711-C511   | SIDE BURNER PAN                                  | BASE DU BRULEUR LATERAL  |        |        |        |        |        |        | 1      | 1      | 1      | 1      | 1      | 1      | 1       |
| 10  | 711-C518   | SIDE SHELF LEFT - NO SB - BLACK                  | TABLETTE LATERAL DE GAUCHE- NON BL-NOIR                        | 1      | 1      | 1      |        |        |        |        |        |        |        |        |        |         |
|     | 711-C508   | SIDE SHELF LEFT - NO SB - SILVER                 | TABLETTE LATERAL DE GAUCHE- NON BL-ARGENT                      |        |        |        | 1      | 1      | 1      |        |        |        |        |        |        |         |
|     | 711-C516   | SIDE SHELF LEFT - SIDE BURNER - BLACK            | TABLETTE LATERAL DE GAUCHE- BL -NOIR                           |        |        |        |        |        |        | 1      | 1      | 1      |        |        |        |         |
|     | 711-C506   | SIDE SHELF LEFT - SIDE BURNER - SILVER           | TABLETTE LATERAL DE GAUCHE- BL -ARGENT                         |        |        |        |        |        |        |        |        |        | 1      | 1      | 1      | 1       |
| 11  | 711-C539   | FRONT PANEL-SIDE SHELF-LEFT - NO SB - BLACK      | PANNEAU AVANT DE LA TABLETTE LATERALE GAUCHE - NON BL - NOIR   | 1      | 1      | 1      |        |        |        |        |        |        |        |        |        |         |
|     | 711-C519   | FRONT PANEL-SIDE SHELF-LEFT SIDE BURNER - BLACK  | PANNEAU AVANT DE LA TABLETTE LATERALE GAUCHE - BL - NOIR       |        |        |        |        |        |        | 1      | 1      | 1      |        |        |        |         |
|     | 711-C509   | FRONT PANEL-SIDE SHELF-LEFT - NO SB - SILVER     | PANNEAU AVANT DE LA TABLETTE LATERALE GAUCHE - NON BL - ARGENT |        |        |        | 1      | 1      | 1      |        |        |        |        |        |        |         |
|     | 711-C531   | FRONT PANEL-SIDE SHELF-LEFT SIDE BURNER - SILVER | PANNEAU AVANT DE LA TABLETTE LATERALE GAUCHE - BL - ARGENT     |        |        |        |        |        |        |        |        |        | 1      | 1      | 1      | 1       |
| 12  | 472-C501   | CONTROL KNOB                                     | BOUTON DE CONTROLE   | 3      | 3      | 3      | 3      | 3      | 3      | 4      | 4      | 4      | 4      | 4      | 4      | 4       |
| 13  | 472-C500   | BEZEL - CONTROL KNOB                             | CADRAN POUR CONTROLE   | 3      | 3      | 3      | 3      | 3      | 3      | 4      | 4      | 4      | 4      | 4      | 4      | 4       |
| 14  | 342-C500   | ELECTRODE - SIDE BURNER                          | BRÛLEUR LATÉRAL ELECTRODE                                      |        |        |        |        |        |        | 1      | 1      | 1      | 1      | 1      | 1      | 1       |
| 15  | C11163     | SCREW M4 X 8                                     | VIS M4 X 8   | 1      | 1      | 1      | 1      | 1      | 1      | 1      | 1      | 1      | 1      | 1      | 1      | 1       |
| 16  | 711-C513   | FRONT PANEL - SIDE SHELF RIGHT BLACK             | PANNEAU AVANT DE LA TABLETTE LATERALE DROITE - NOIR            | 1      | 1      | 1      |        |        |        | 1      | 1      | 1      |        |        |        |         |
|     | 711-C503   | FRONT PANEL - SIDE SHELF RIGHT SILVER            | PANNEAU AVANT DE LA TABLETTE LATERALE DROITE - ARGENT          |        |        |        | 1      | 1      | 1      |        |        |        | 1      | 1      | 1      | 1       |
| 17  | 711-C500   | SIDE SHELF RIGHT - BLACK                         | TABLETTE LATERAL DE DROITE - NOIR                              | 1      | 1      | 1      |        |        |        | 1      | 1      | 1      |        |        |        |         |
|     | 711-C501   | SIDE SHELF RIGHT - SILVER                        | TABLETTE LATERAL DE DROITE - ARGENT                            |        |        |        | 1      | 1      | 1      |        |        |        | 1      | 1      | 1      | 1       |
| 18  | 225-C500   | WARMING RACK                                     | GRILLE DE RECHAUD  | 1      | 1      | 1      | 1      | 1      | 1      | 1      | 1      | 1      | 1      | 1      | 1      | 1       |
| 19  | 225-C501   | COOKING GRIDS - CAST IRON                        | GRILLE DE CUISSON - FONTE                                      | 2      | 2      | 2      | 2      | 2      | 2      | 2      | 2      | 2      | 2      | 2      | 2      | 2       |
| 20  | 222-C565   | FLAV-R-GUARD                                     | VAPORISATEUR   | 3      | 3      | 3      | 3      | 3      | 3      | 3      | 3      | 3      | 3      | 3      | 3      | 3       |
| 21  | 390-C590   | BURNER SUPPORT                                   | SUPPORT BRULEUR  | 1      | 1      | 1      | 1      | 1      | 1      | 1      | 1      | 1      | 1      | 1      | 1      | 1       |
| 22  | 22005-501A | FIREBOX ASSEMBLY                                 | ASSEMBLAGE DE FOUR   | 1      | 1      | 1      | 1      | 1      | 1      | 1      | 1      | 1      | 1      | 1      | 1      | 1       |
| 23  | S21233     | COTTER PIN                                       | ATTACHE DE CHEVILLE  | 2      | 2      | 2      | 2      | 2      | 2      | 2      | 2      | 2      | 2      | 2      | 2      | 2       |
| 24  | C21552     | M6 HINGE PIN                                     | ATTACHE DE CHEVILLE  | 2      | 2      | 2      | 2      | 2      | 2      | 2      | 2      | 2      | 2      | 2      | 2      | 2       |
| 25  | 159-C500   | GREASE TRAY                                      | PLATEAU A GRAISSE MOULE  | 1      | 1      | 1      | 1      | 1      | 1      | 1      | 1      | 1      | 1      | 1      | 1      | 1       |
| 26  | 194-C507   | HEAT SHIELD - FRONT                              | ECRAN THERMIQUE  | 1      | 1      | 1      | 1      | 1      | 1      | 1      | 1      | 1      | 1      | 1      | 1      | 1       |
| 27  | 342-C505   | ELECTRODE BOX                                    | COLLECTEUR DE GAZ  | 1      | 1      | 1      | 1      | 1      | 1      | 1      | 1      | 1      | 1      | 1      | 1      | 1       |
| 28  | 22209-174  | MAIN BURNER                                      | ASSEMBLAGE DU BRULEUR PRINCIPAL                                | 3      | 3      | 3      | 3      | 3      | 3      | 3      | 3      | 3      | 3      | 3      | 3      | 3       |
| 29  | 342-C503   | ELECTRODE  | ELECTRODE  | 1      | 1      | 1      | 1      | 1      | 1      | 1      | 1      | 1      | 1      | 1      | 1      | 1       |
| 30  | 440-C500   | VALVE ASSEMBLY                                   | SOUPAPE  | 1      | 1      | 1      | 1      | 1      | 1      | 1      | 1      | 1      | 1      | 1      | 1      | 1       |
| 31  | 194-C513   | CONTROL COVER - BLACK                            | PANNEAU DE CONTROLE - NOIR                                     | 1      | 1      | 1      |        |        |        | 1      | 1      | 1      |        |        |        |         |
|     | 194-C503   | CONTROL COVER - STAINLESS STEEL                  | PANNEAU DE CONTROLE - EN ACIER INOXYDABLE                      |        |        |        | 1      | 1      | 1      |        |        |        | 1      | 1      | 1      | 1       |
| 32  | 342-C502   | ELECTRONIC IGNITOR                               | ALLUMEUR-ELECTRONIQUE  | 1      | 1      | 1      | 1      | 1      | 1      | 1      | 1      | 1      | 1      | 1      | 1      | 1       |
| 33  | 114-C550   | Y HOSE AND REGULATOR (DOUBLE TUBE)               | Y TUYAU ET REGULATEUR - DOUBLE TUBE                            |        |        |        |        |        |        | 1      | 1      | 1      | 1      | 1      | 1      | 1       |
|     | 114-C500   | HOSE AND REGULATOR (SINGLE TUBE)                 | TUYAU ET REGULATEUR - SEUL TUBE                                | 1      | 1      | 1      | 1      | 1      | 1      |        |        |        |        |        |        |         |
| 34  | 440-C502   | VALVE - SIDE BURNER                              | BRÛLEUR LATÉRAL - SOUPAPE                                      |        |        |        |        |        |        | 1      | 1      | 1      | 1      | 1      | 1      | 1       |
| 35  | 338-C541B  | HEAT SHIELD - REGULATOR BLACK                    | ECRAN THERMIQUE - NOIR   | 1      | 1      | 1      |        |        |        | 1      | 1      | 1      |        |        |        |         |
|     | 338-C541   | HEAT SHIELD - REGULATOR SILVER                   | ECRAN THERMIQUE - ARGENT                                       |        |        |        | 1      | 1      | 1      |        |        |        | 1      | 1      | 1      | 1       |
| 36  | C04210B    | SCREW ST 4.2X10 BLACK                            | VIS ST 4.2X10 - NOIR   | 1      | 1      | 1      |        |        |        | 1      | 1      | 1      |        |        |        |         |
|     | C04210S    | SCREW ST 4.2X10 SILVER                           | VIS ST 4.2X10 - ARGENT   |        |        |        | 1      | 1      | 1      |        |        |        | 1      | 1      | 1      | 1       |

## Parts List / Liste des pieces

| KEY | ITEM #    | DESCRIPTION                        | DESCRIPTION                          | 736464G | 736464 | 536464 | 236464 | 726464 | 526464 | 226464 | 736454 | 536454 | 236454 | 726454 | 526454 | 226454 |
|-----|-----------|------------------------------------|--------------------------------------|---------|--------|--------|--------|--------|--------|--------|--------|--------|--------|--------|--------|--------|
| 37  | 958-C595B | CROSS BRACKET - LEFT BLACK         | SUPPORT - DROITE NOIR                | 1       | 1      | 1      |        |        |        |        |        |        |        |        |        |        |
|     | 958-C595  | CROSS BRACKET - LEFT SILVER        | SUPPORT - DROITE ARGENT              |         |        |        | 1      | 1      | 1      |        |        |        |        |        |        | 1      |
| 38  | 958-C952B | LEG - LEFT FRONT BLACK             | JAMBE AVANT GAUCHE - NOIR            | 1       | 1      | 1      |        |        |        |        |        |        |        |        |        |        |
|     | 958-C592  | LEG - LEFT FRONT SILVER            | JAMBE AVANT GAUCHE - ARGENT          |         |        |        | 1      | 1      | 1      |        |        |        |        |        |        | 1      |
| 39  | C15507    | COTTER PIN                         | ATTACHE DE CHEVILLE                  | 2       | 2      | 2      | 2      | 2      | 2      | 2      | 2      | 2      | 2      | 2      | 2      | 2      |
| 40  | 958-C593B | LEG - LEFT BACK BLACK              | JAMBE ARRIERE GAUCHE - NOIR          | 1       | 1      | 1      |        |        |        |        |        |        |        |        |        |        |
|     | 958-C593  | LEG - LEFT BACK SILVER             | JAMBE ARRIERE GAUCHE - ARGENT        |         |        |        | 1      | 1      | 1      |        |        |        |        |        |        | 1      |
| 41  | C11164    | FLAT WASHER                        | RONDELLE PLAT                        | 2       | 2      | 2      | 2      | 2      | 2      | 2      | 2      | 2      | 2      | 2      | 2      | 2      |
| 42  | 892-C511  | WHEEL - BLACK PLASTIC              | ROUE - PLASTIQUE NOIR                | 2       | 2      | 2      | 2      | 2      | 2      | 2      | 2      | 2      | 2      | 2      | 2      | 2      |
| 43  | C15172B   | SHAFT-WHEEL BLACK                  | AXE DE ROUE - NOIR                   | 1       | 1      | 1      |        |        |        |        |        |        |        |        |        |        |
|     | C15172S   | SHAFT-WHEEL SILVER                 | AXE DE ROUE - ARGENT                 |         |        |        | 1      | 1      | 1      |        |        |        |        |        |        | 1      |
| 44  | 958-C525B | FRONT PANEL - BLACK                | PANNEAU AVANT - NOIR                 | 2       | 2      | 2      |        |        |        |        |        |        |        |        |        |        |
|     | 958-C525S | FRONT PANEL - SILVER               | PANNEAU AVANT - ARGENT               |         |        |        | 2      | 2      | 2      |        |        |        |        |        |        | 2      |
| 45  | 958-C537B | BOTTOM PANEL - CABINET BLACK       | BASE DU CABINET - NOIR               | 1       | 1      | 1      |        |        |        |        |        |        |        |        |        |        |
|     | 958-C537S | BOTTOM PANEL - CABINET SILVER      | BASE DU CABINET - ARGENT             |         |        |        | 1      | 1      | 1      |        |        |        |        |        |        | 1      |
| 46  | 958-C590B | LEG - RIGHT FRONT BLACK            | JAMBE AVANT DROITE - NOIR            | 1       | 1      | 1      |        |        |        |        |        |        |        |        |        |        |
|     | 958-C590  | LEG - RIGHT FRONT SILVER           | JAMBE AVANT DROITE - ARGENT          |         |        |        | 1      | 1      | 1      |        |        |        |        |        |        | 1      |
| 47  | 338-C542  | FOOT TUBE                          | PIED                                 | 2       | 2      | 2      | 2      | 2      | 2      | 2      | 2      | 2      | 2      | 2      | 2      | 2      |
| 48  | 958-C591B | LEG - RIGHT BACK BLACK             | JAMBE ARRIERE DROITE - NOIR          | 1       | 1      | 1      |        |        |        |        |        |        |        |        |        |        |
|     | 958-C591  | LEG - RIGHT BACK SILVER            | JAMBE ARRIERE DROITE - ARGENT        |         |        |        | 1      | 1      | 1      |        |        |        |        |        |        | 1      |
| 49  | 958-C594B | CROSS BRACKET - RIGHT BLACK        | SUPPORT DROITE - NOIR                | 1       | 1      | 1      |        |        |        |        |        |        |        |        |        |        |
|     | 958-C594  | CROSS BRACKET - RIGHT SILVER       | SUPPORT DROITE - ARGENT              |         |        |        | 1      | 1      | 1      |        |        |        |        |        |        | 1      |
| 50  | C06012B   | SCREW M6X12 BLACK                  | VIS M6X12 - NOIR                     | 40      | 40     | 40     |        |        |        |        |        |        |        |        |        |        |
|     | C06012S   | SCREW M6X12 SILVER                 | VIS M6X12 - ARGENT                   |         |        |        | 40     | 40     | 40     |        |        |        |        |        |        | 40     |
| 51  | C15502    | WIRE SHELF - GREASE CUP            | LECHEFRITE MOULEE                    | 1       | 1      | 1      | 1      | 1      | 1      | 1      | 1      | 1      | 1      | 1      | 1      | 1      |
| 52  | 184-C515B | GAS CONTAINER - HEAT SHIELD BLACK  | ECRAN THERMIQUE - NOIR               | 1       | 1      | 1      |        |        |        |        |        |        |        |        |        |        |
|     | 184-C515  | GAS CONTAINER - HEAT SHIELD SILVER | ECRAN THERMIQUE - ARGENT             |         |        |        | 1      | 1      | 1      |        |        |        |        |        |        | 1      |
| 53  | C15501    | GREASE CUP                         | BOULON A OREILLES                    | 1       | 1      | 1      | 1      | 1      | 1      | 1      | 1      | 1      | 1      | 1      | 1      | 1      |
| 54  | 21239-13  | WIRE TANK RETAINER                 | FIL RESERVOIR DE RETENUE             | 1       | 1      | 1      | 1      | 1      | 1      | 1      | 1      | 1      | 1      | 1      | 1      | 1      |
| 55  | 184-C514B | TOP PANEL - BLACK                  | PANNEAU SUPERIEUR - NOIR             | 1       | 1      | 1      |        |        |        |        |        |        |        |        |        |        |
|     | 184-C514  | TOP PANEL - SILVER                 | PANNEAU SUPERIEUR - ARGENT           |         |        |        | 1      | 1      | 1      |        |        |        |        |        |        | 1      |
| 56  | C04210B   | SCREW ST 4.2X10 BLACK              | VIS ST 4.2X10 - NOIR                 | 2       | 2      | 2      |        |        |        |        |        |        |        |        |        |        |
|     | C04210S   | SCREW ST 4.2X10 SILVER             | VIS ST 4.2X10 - ARGENT               |         |        |        | 2      | 2      | 2      |        |        |        |        |        |        | 2      |
| 57  | C10007B   | BARBED WASHER - BLACK              | RONDELLE BARBELEE - NOIR             | 30      | 30     | 30     |        |        |        |        |        |        |        |        |        |        |
|     | C10007S   | BARBED WASHER - SILVER             | RONDELLE BARBELEE - ARGENT           |         |        |        | 30     | 30     | 30     |        |        |        |        |        |        | 30     |
| 58  | C12505-4  | MATCH STICK - LIGHT                | PORTE ALLUMETTE POUR ALLUMAGE MANUEL | 1       | 1      | 1      | 1      | 1      | 1      | 1      | 1      | 1      | 1      | 1      | 1      | 1      |
|     |           |                                    |                                      |         |        |        |        |        |        |        |        |        |        |        |        |        |
|     | 070-C409B | HARDWARE PACK - BLACK              | PAQUET DE MATERIEL - NOIR            | 1       | 1      | 1      |        |        |        |        |        |        |        |        |        |        |
|     | 070-C409S | HARDWARE PACK - SILVER             | PAQUET DE MATERIEL - ARGENT          |         |        |        | 1      | 1      | 1      |        |        |        |        |        |        | 1      |

