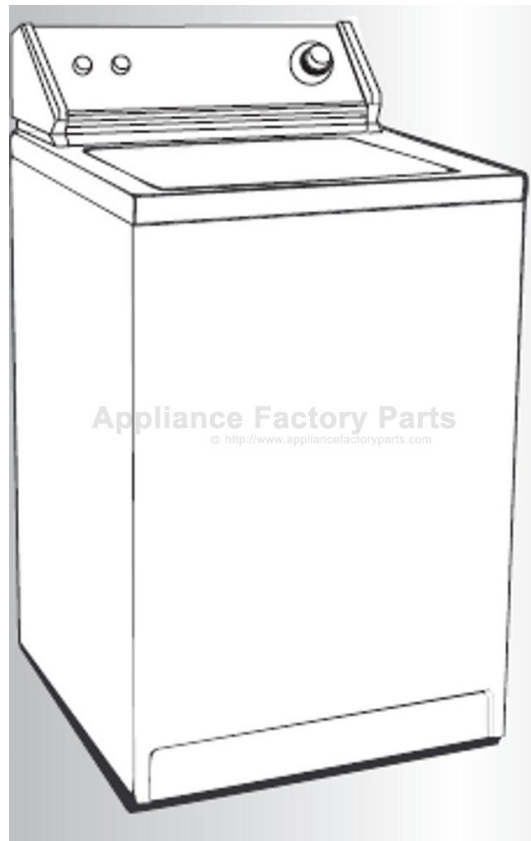


This Owner's Manual is provided and hosted by [Appliance Factory Parts](#).



WHIRLPOOL GSW9545JQ0 Owner's Manual

[Shop genuine replacement parts for WHIRLPOOL
GSW9545JQ0](#)

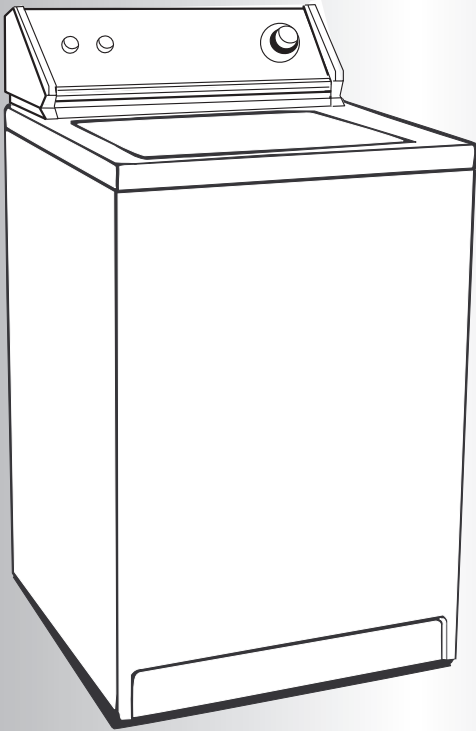


[Find Your WHIRLPOOL Washer Parts - Select From 4132 Models](#)

----- Manual continues below -----



Installation Instructions



120-volt 60-Hz Washer

IMPORTANT: Read and save these instructions.

IMPORTANT:

Installer: Leave Installation Instructions with the homeowner.

Homeowner: Keep Installation Instructions for future reference.

Save Installation Instructions for local electrical inspector's use.

Part No. 3952817 Rev. B

Your safety and the safety of others are v

We have provided many important safety messages in your appliance. Always read and obey all safety messa



This is the safety alert symbol.

This symbol alerts you to potential hazards that and others.

All safety messages will follow the safety alert symbol "DANGER" or "WARNING". These words mean:

DANGER

You can be killed or you don't immediate

WARNING

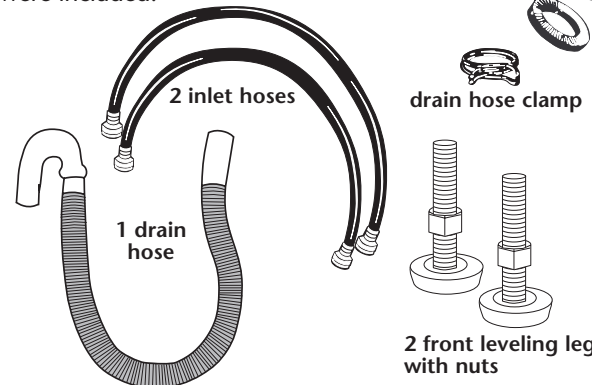
You can be killed or you don't follow instr

All safety messages will tell you what the potential hazard reduce the chance of injury, and tell you what can happen are not followed.

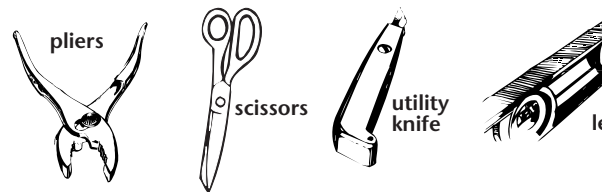


Parts supplied:

Open lid and remove parts from inside washer. Check that all parts were included.



Tools needed:





Before you start...



Location of washer:

Check location where washer will be installed. Make sure you have everything for correct installation. Proper installation is your responsibility.

Grounded electrical outlet is required within 5 feet of upper right corner of washer cabinet. See "Electrical requirements," Panel A.

The hot and cold water inlets on the back of the washer have 3/4 — 11-1/2 American hose coupling standard threads.

Support: Floor must be sturdy enough to support washer weight (with water) of 315 pounds.

To use drain hose shipped with washer, standpipe, laundry tub or utility sink should be within 46 inches of the washer drain connector.

Hot and cold water faucets: Should be within 3-1/2 feet of upper right hand corner of washer cabinet (if not, see chart below). Provide water pressure 5-100 psi.

Water heater: Set to deliver 140°F water to washer.

Important: Observe all governing codes and ordinances.

Do Not store or operate washer below 32°F (some water may remain in washer). See Use & Care Guide for "Winterizing" information.

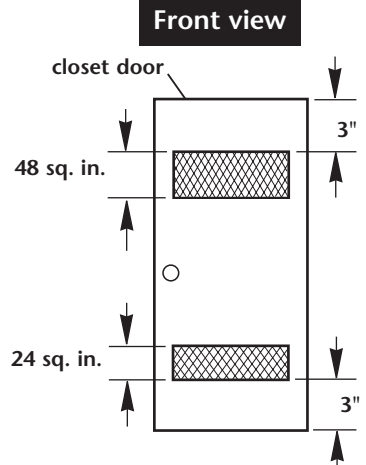
Level floor: Maximum slope under entire washer — 1 inch.

Recessed area instructions

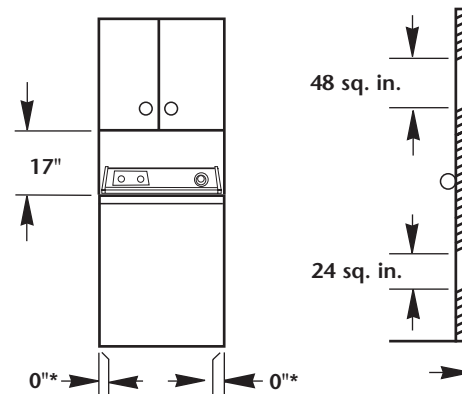
This washer may be installed in a recessed area.

The installation dimensions shown are the minimum spaces allowable. Additional spacing should be considered for ease of installation and servicing. If closet door is installed, the minimum air openings in top and bottom door are required with air opening at bottom are also considered.

Minimum installation spacing



Front view (door not shown)



* Additional clearances for wall, door and floor required.

If your home has:	You will need to buy:
39" high, 2" dia. standpipe	nothing. If your installation is different, see "Drain system" below.
1" dia. standpipe	2" dia. to 1" dia. standpipe adapter, Part No. 3363920.
floor drain	siphon break, Part No. 285320; additional drain hose, Part No. 3357090; and Connector Kit, Part No. 285442.
overhead sewer	standard 20 gal., 34" high laundry tub or utility sink, sump pump and connectors (available from local plumbing suppliers).
standard 20 gal., 34" high laundry tub or utility sink	nothing.
water not close by	2 longer water inlet hoses: 6 ft. hoses, Part No. 76313 or 10 ft. hoses, Part No. 350008.

Parts listed are available from your local dealer or authorized parts distributor.

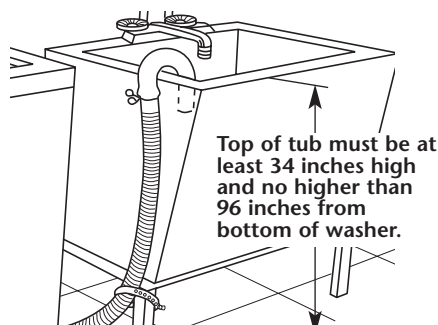


Drain system:

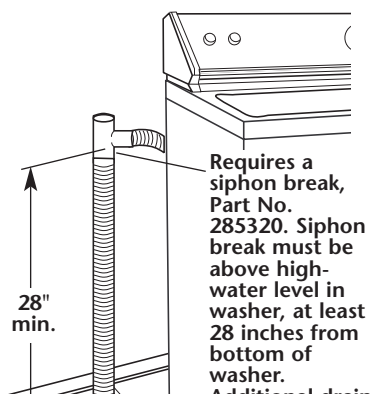
Remove parts package. Untape and open washer lid. Remove literature package from washer. Look at drain systems below to decide which system to use.

1. Laundry tub or utility sink drain system:

Needs a 20-gallon laundry tub.

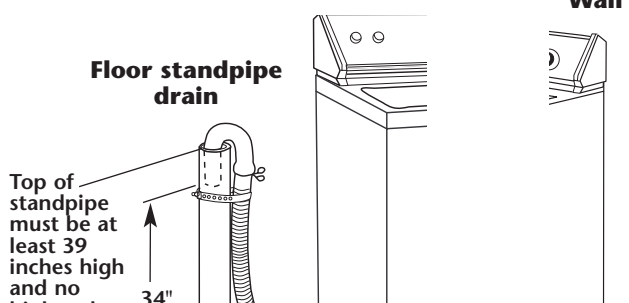


2. Floor drain system:



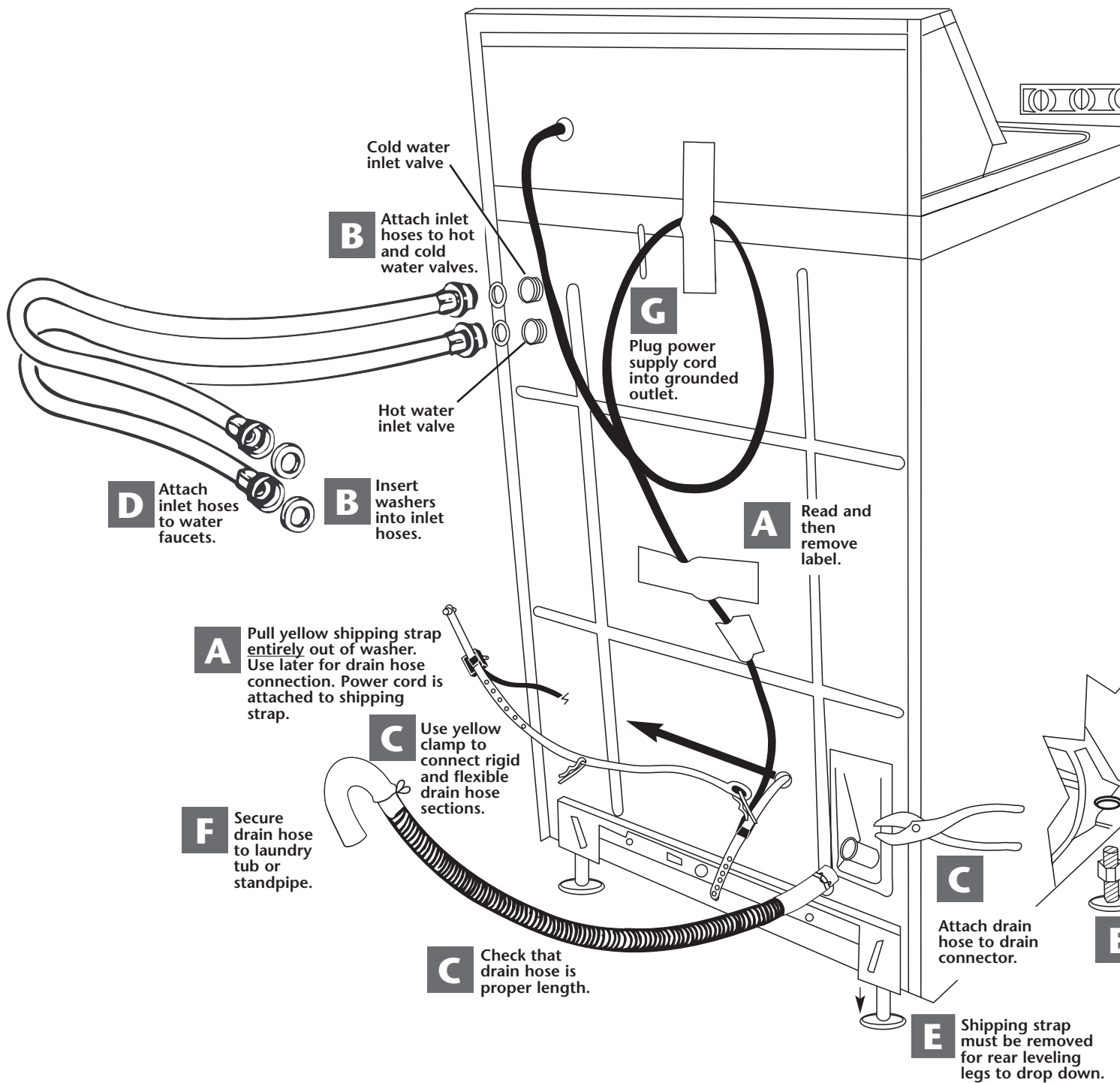
3. Standpipe drain system:

Needs a two-inch minimum diameter standpipe with minimum capacity of 17 gallons per minute. A 2" dia. to 1" dia. standpipe adapter, Part No. 3363920, must be used with 1" dia. drain systems.

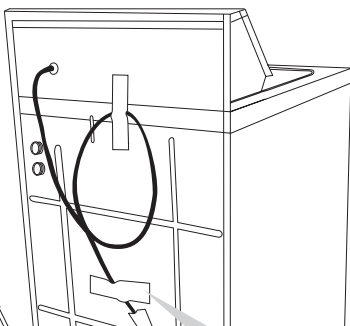




Now start... With washer in laundry area.



A Preparation:



⚠ WARNING

Excessive Weight Hazard
Use two or more people to move and install washer.
Failure to do so can result in back or other injury.

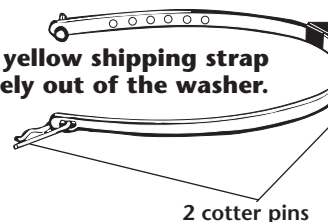
SLIDE WASHER ONTO CARDBOARD OR HARDBOARD BEFORE MOVING ACROSS FLOOR.

Move washer close to its final location.



Remove yellow shipping strap

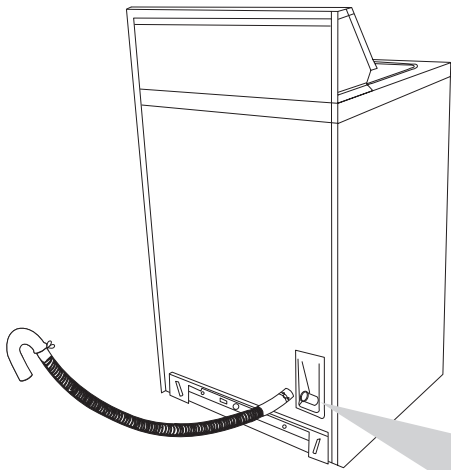
Pull the yellow shipping strap completely out of the washer.



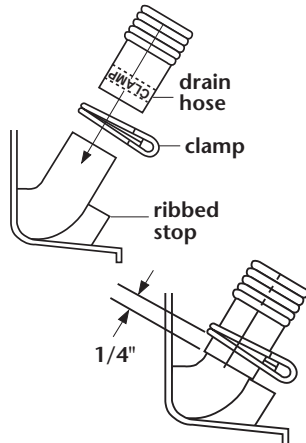
2 cotter pins

2. Pull yellow shipping strap with two people. Pull it entirely out of washer. The power cord will still be attached to shipping strap.

C Drain hose connection:



IMPORTANT: THIS PROCEDURE MUST BE FOLLOWED TO ASSURE PROPER INSTALLATION.



6. To prevent the drain hose from coming off or leaking, it must be installed per the following instructions.

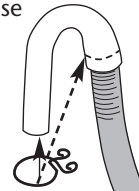
- Wet the inside end of the drain hose with tap water. **DO NOT USE ANY OTHER LUBRICANT.**
- Squeeze ears of drain hose clamp with pliers to open and place clamp over the end of the drain hose.
- Open clamp and push end of drain hose onto drain connector until hose contacts ribbed stop.
- Place clamp over area marked "clamp". Release clamp.

7. Standpipe or laundry tub drain system:

Open yellow clamp and slide over "hook" end of drain hose to secure the rubber and corrugated sections together.

Floor drain system:

Do Not install "hook" end of drain hose to corrugated section. Consult your plumber for proper installation.



8. Run washer drain hose through both faucets into a bucket to get rid of particles that might clog water faucet.

9. Put "hook" end of drain hose into standpipe. Check for leaks at drain hose.

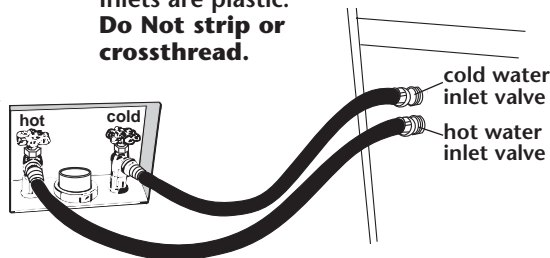
To prevent drain hose from going back:

- Do Not strip end of drain hose to expose corrugated section.
- Do Not lay drain hose in bottom of standpipe.

D Inlet hose connection: (to water faucets)

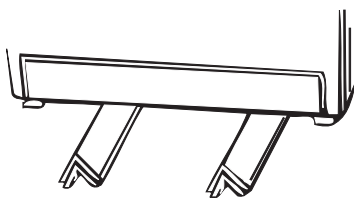
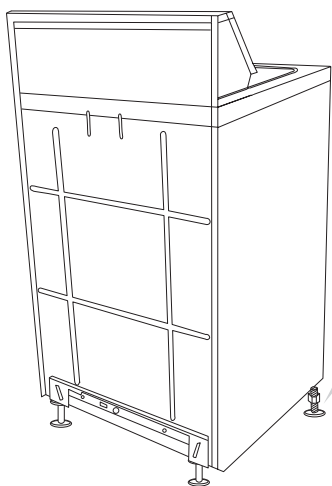
Check inlet hoses periodically. Replace inlet hoses if you find bulges, kinks, cuts, wear or leaking. Replace inlet hoses after five years of use.

Inlets are plastic. Do Not strip or crossthread.

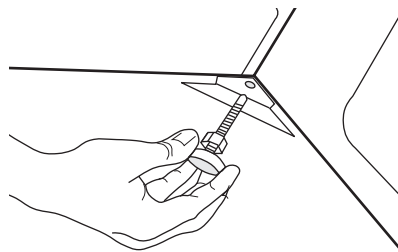


10. Attach the hot water hose from the hot water couplings to the cold water couplings to prevent OVERTIGHTENING and damage to couplings.

E Leveling washer:



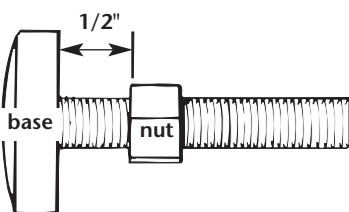
11. Stack two corner posts on top of each other and position them 3 inches from each side of the washer. Grasp the top, front corners of the washer and tilt backward until bottom, front of washer is 3-4 inches off the floor and slide corner posts under washer as shown.



13. Insert legs into correct holes at each front corner of washer until nuts touch washer. **DO NOT** tighten nuts until Step 16.

14. Grasp top front corners to tilt washer backward and remove corner post(s). Gently lower washer to floor.

Use outside corners of the cabinet to move washer to its final location. Remove cardboard or hardboard from under washer.



12. Screw nut down on legs to within 1/2 inch of base.

15. Tilt washer slightly. Legs are about 1 inch from washer to floor. Level the washer by adjusting the legs to be level on top of floor to side; then repeat for other side.

16. If washer is not level, use a wrench to tighten nuts on legs up tight against washer base. If nuts are not tight, washer may vibrate.

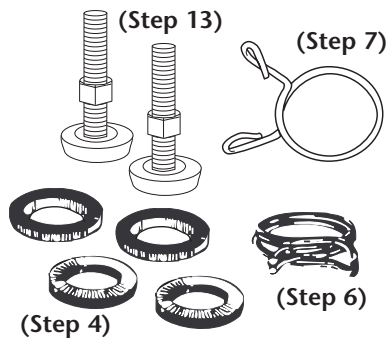
F Securing drain hose:

NOTE: Use shipping strap to secure drain hose. Water pressure

Check that hose is not twisted or kinked and is securely in

G Completing Installation:

18. CHECK ELECTRICAL REQUIREMENTS. BE SURE YOU HAVE CORRECT ELECTRICAL SUPPLY AND RECOMMENDED GROUND METHOD.



19. Check that all parts are now installed. If there is an extra part, go back through steps to see which step was skipped.

20. Turn on water faucets and check for leaks. Tighten couplings if there is leaking. **DO NOT OVERTIGHTEN;** this could cause damage to couplings.



21. Check that you have all of your tools. Check that the yellow shipping strap was removed from the back of the washer and used to secure the drain hose.

22. Plug into grounded

23. Read Care Guide. Start to complete t

Congra

*You have su
your new w
most effici
new washer
Care Guide.*

*Keep Install
and Guide.*

H Need Assistance?

Call your dealer or local authorized service company.

When you call, you will need the washer model number and serial number. Both numbers are on the model/serial rating plate located under the washer lid and on the top of the washer.