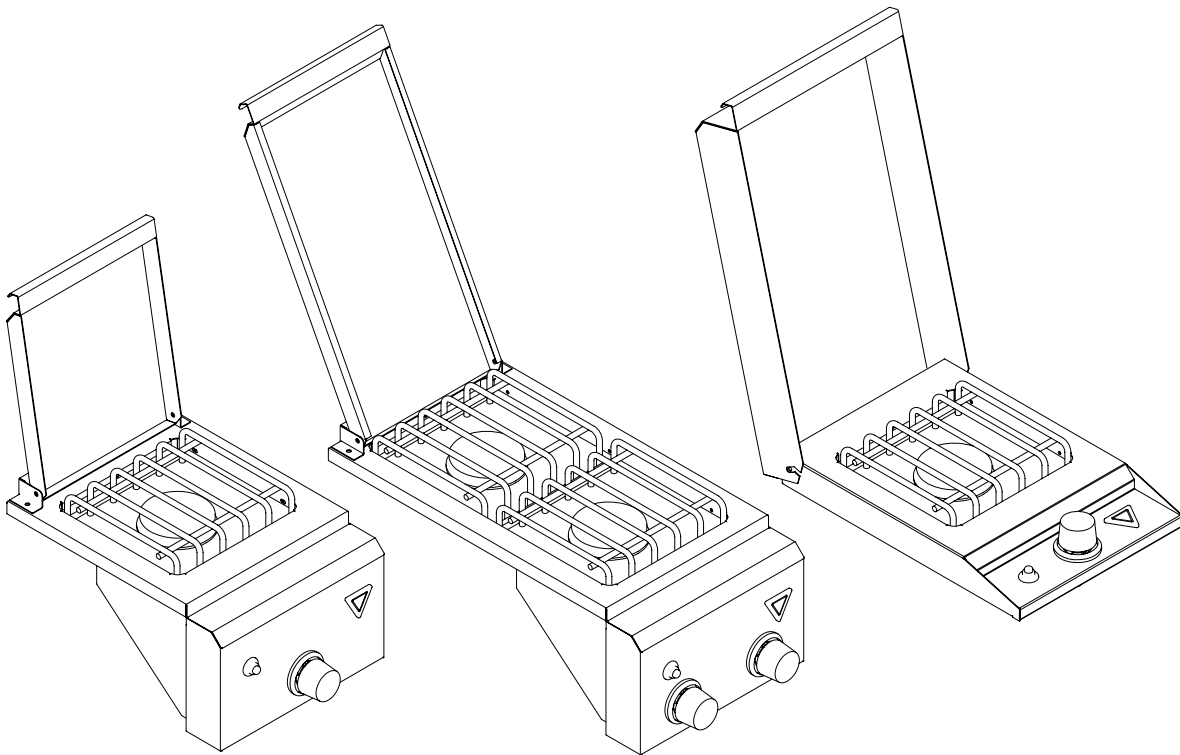




TWIN EAGLES, INC.

Defining the Art of Outdoor Cooking

**TWIN EAGLES SIDE COOKERS
EXTREME SERIES
USE & CARE MANUAL**



TXSC-1

TXSC-2

TXSC-1D

FOR YOUR RECORDS

IMPORTANT: Retain original proof of purchase to establish warranty period.

Please record the following information and refer to this information when contacting the company or an authorized service agent. This information is found on the rating/ data plate located on the inside back of the unit.

Model #: _____

Serial #: _____

Date of Purchase: _____

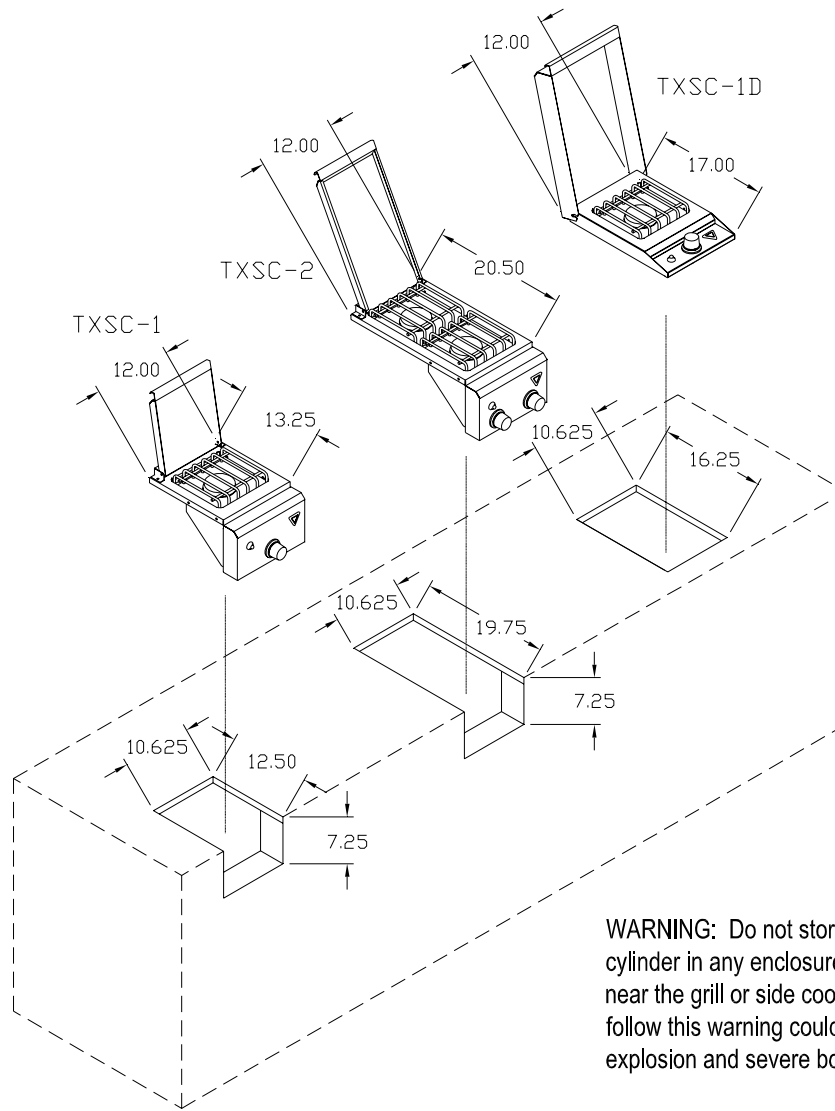
Place of Purchase: _____

Type of Gas: NG LP

OPERATING INSTRUCTIONS – SIDE COOKERS

1. Make sure all knobs are in the “OFF” position.
2. Turn “on” the gas at source. Caution: If you smell gas, shut off gas supply and call for service.
3. Before lighting, remove the side cooker cover or any cooking utensils from the burner grate.
4. Push and turn the burner knob counterclockwise to “HI” (LARGE FLAME) position.
5. Push-in and hold the ignition button. You should hear a continuous clicking sound and see sparks being provided to the burner. (If clicking sound is weak, replace battery).
6. If the burner does not ignite within 5 seconds, turn the burner to “OFF” and wait for five minutes. Repeat the above procedures or try the following manual lighting procedures
 - a. Hold a lit match next to the burner ports
 - b. Push and turn the burner knob counterclockwise to ignite the burner.
7. Adjust flame setting to “LOW” or “MEDIUM” or “HIGH”, if desired.
- 8. Caution: Do not leave the side cooker unattended while cooking.**
9. To shutdown the burner, push and turn the burner knob clockwise to “OFF”.
10. For complete shutdown, turn “off” the gas at source.

CABINET CUT-OUT DIMENSIONS FOR BUILT-IN APPLICATION



WARNING: Do not store spare gas cylinder in any enclosure or anywhere near the grill or side cooker. Failure to follow this warning could lead to fire, explosion and severe bodily harm.

